



Residential Aluminum Fence

Installation Instructions

Berkshire
Berkshire Deluxe
Chatham
Cheshire
Eastham
Hempsted
Orleans
Truro



Surround and enhance your home and property with the strength and beauty of IronCraft Aluminum Fence.

Instructions pertain to the installation of the following IronCraft fence lines



*Some sizes available for pool installation

BEFORE BEGINNING

- Please read installation instructions carefully before installing your fence
- Check local zoning laws and Home Owners Associations regulations. Restrictions on location, style and height of fencing may exist. Permits may be needed before installing
- Check local zoning for required post hole depth. This is based on the frost line for your region
- Contact your local utilities to clearly mark gas, electric and water lines to avoid cutting underground utilities
- Have your property surveyed and property lines clearly marked

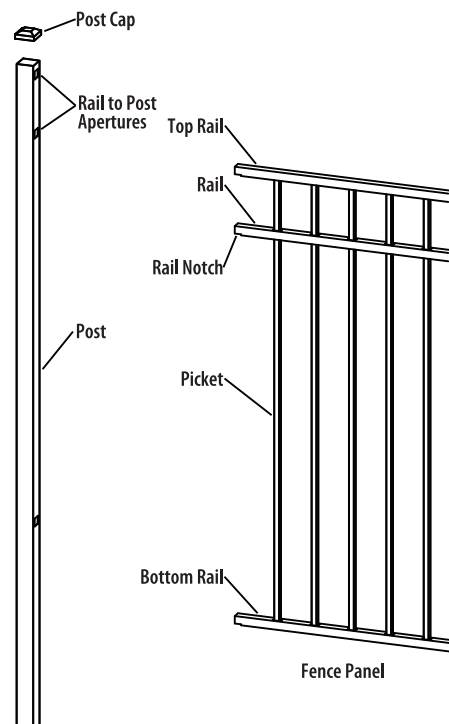
TOOL LIST

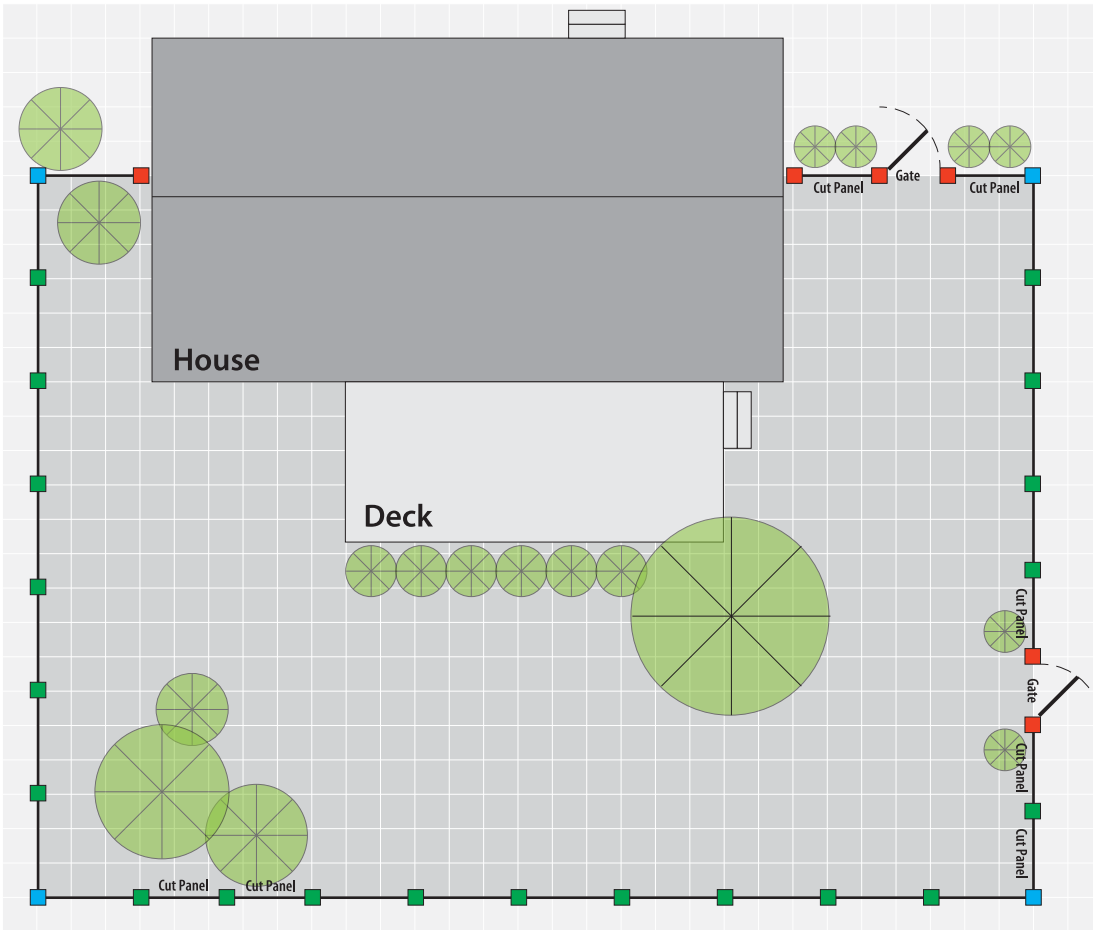
- Hammer
- Drill or Drive w/ Phillips #2
- Tape Measure
- Post Hole Digger
- Shovel
- Level
- Hacksaw
- Wheelbarrow or Concrete Mixing Tub
- Rubber Mallet
- Safety Goggles & Gloves

MATERIAL LIST

- String Line & Stakes
- Marking Spray Paint
- Concrete Mix
- Gravel
- Spacer Blocks 2in. High

FENCE SYSTEM PARTS





PLAN

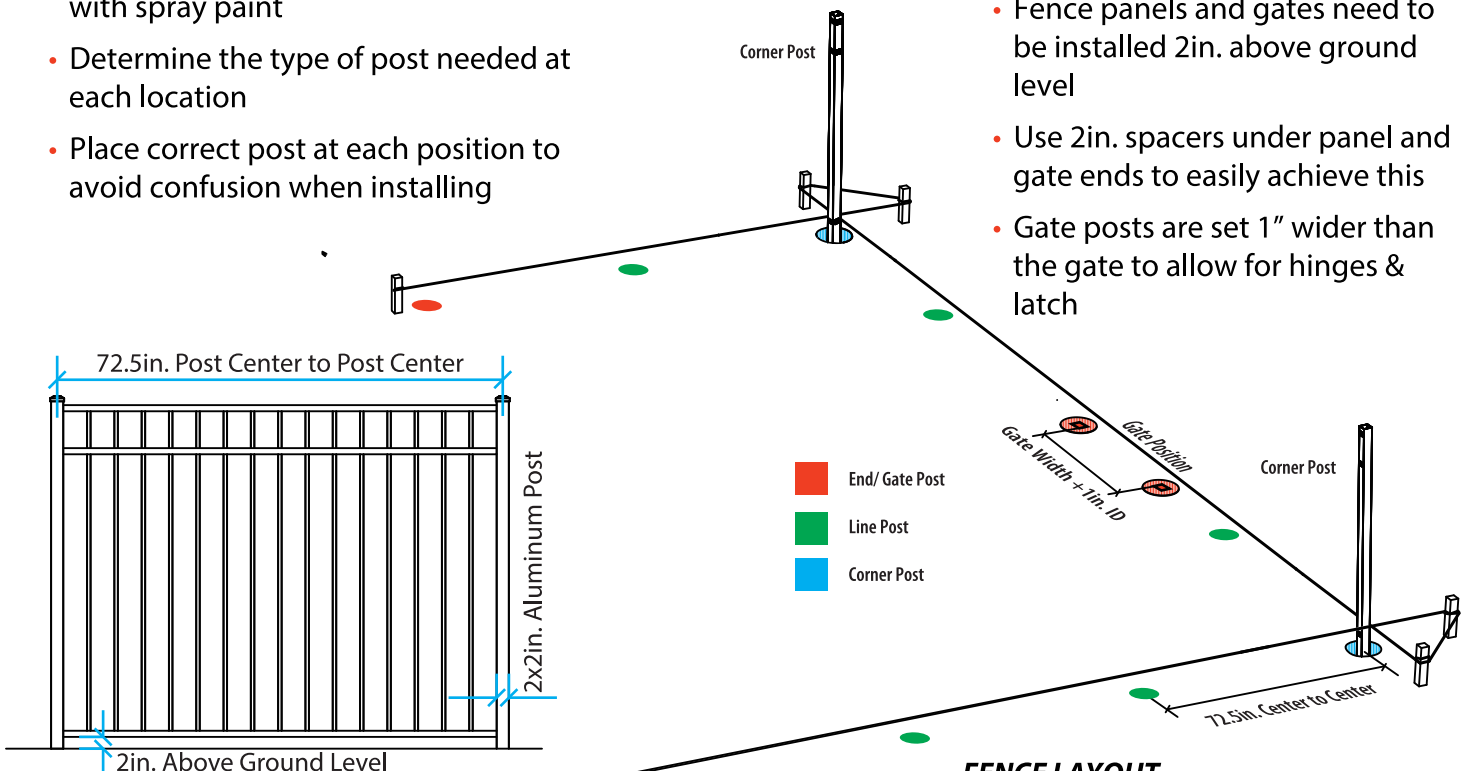
- Sketch your fencing plan to scale showing property lines, house & other structures, driveway, and walkways
- This will help you plan gate locations, number of panels and posts, post type and estimate other materials
- Determine number of fence panels and posts of each type needed

BEGIN

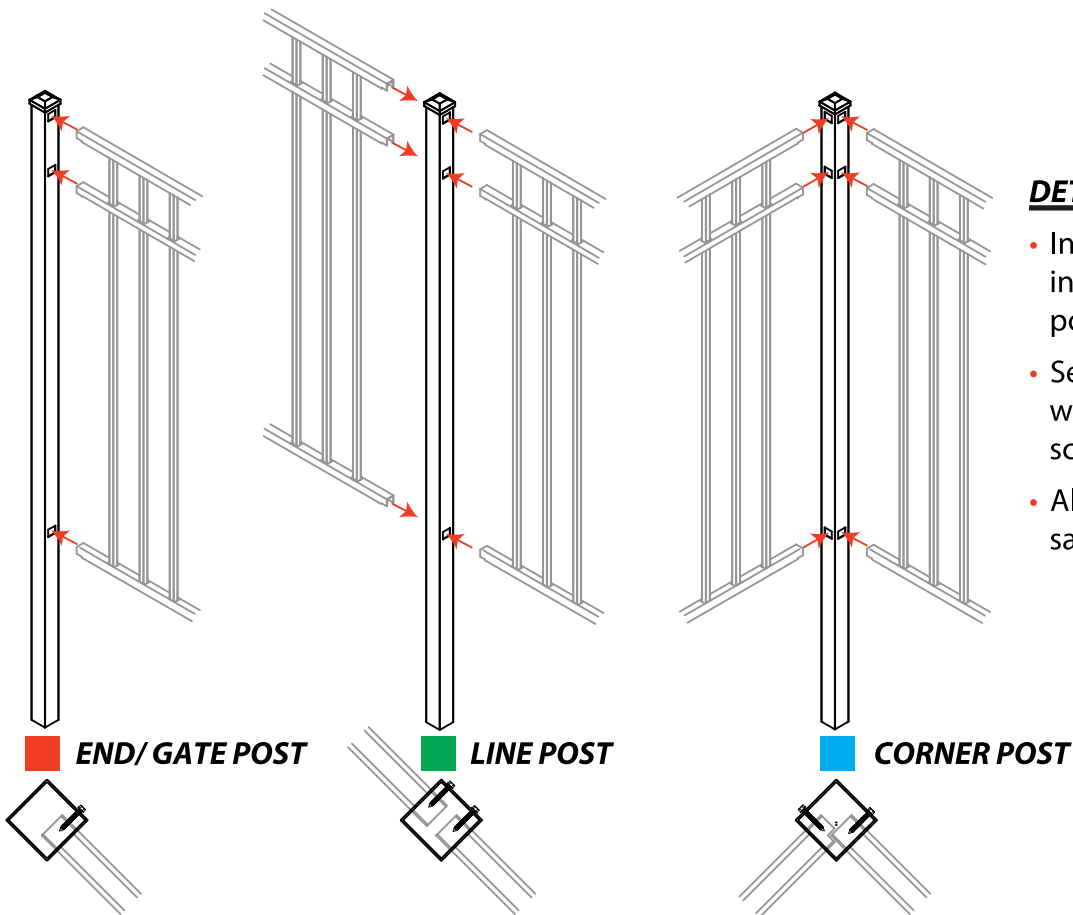
- Use stakes and string line to delineate fence line
- Measure and mark each post location with spray paint
- Determine the type of post needed at each location
- Place correct post at each position to avoid confusion when installing

DETAIL

- Posts are set 72-1/2" apart, measuring from center to center of each post
- Fence panels and gates need to be installed 2in. above ground level
- Use 2in. spacers under panel and gate ends to easily achieve this
- Gate posts are set 1" wider than the gate to allow for hinges & latch



FENCE LAYOUT

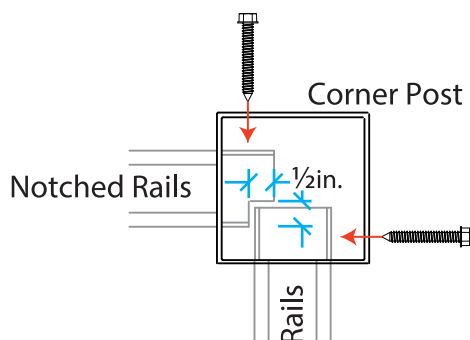
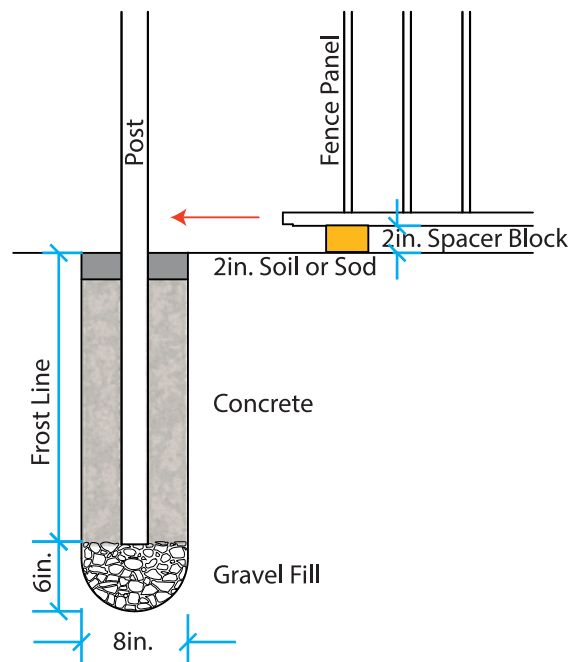


DETAIL

- Insert notched rail ends into pre-routed holes in post
- Secure each rail to post with provided self drilling screws
- All screws should be on same side of post

FENCE INSTALL: Step 1

- Begin your fence installation at a corner. Dig the corner post hole and the two adjacent holes in each direction
- All holes should measure 8in. in diameter with depth determined by your local frost line measurement plus an additional 6in
- Fill bottom of post holes with 6in. of coarse gravel for drainage
- Position post in hole and continue to fill until gravel reaches bottom of post

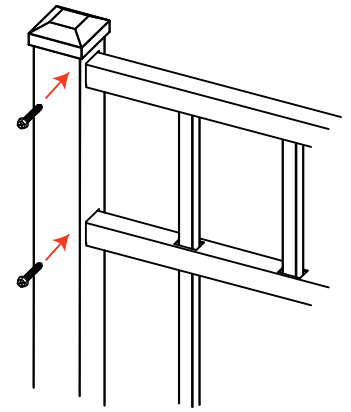
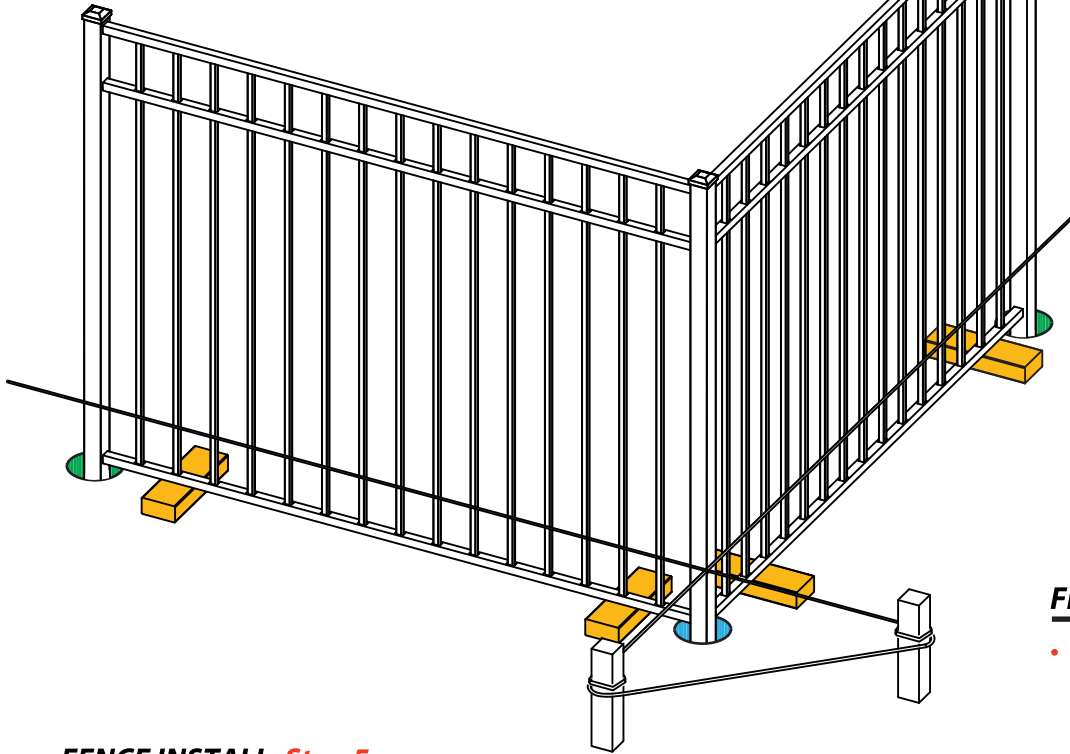


NOTCHED CORNER RAILS

- Rails on one panel entering a corner post must be notched 1/2in. x 1/2in. for rails to nest

FENCE INSTALL: Step 2

- Place corner post in the corner hole and 2 line posts in adjacent holes. Make sure the pre-routed holes are facing the correct direction to receive the rail ends
- Place 2in. spacer blocks under ends of each fence panel to support the fence section and establish constant height above ground



FENCE INSTALL: Step 3

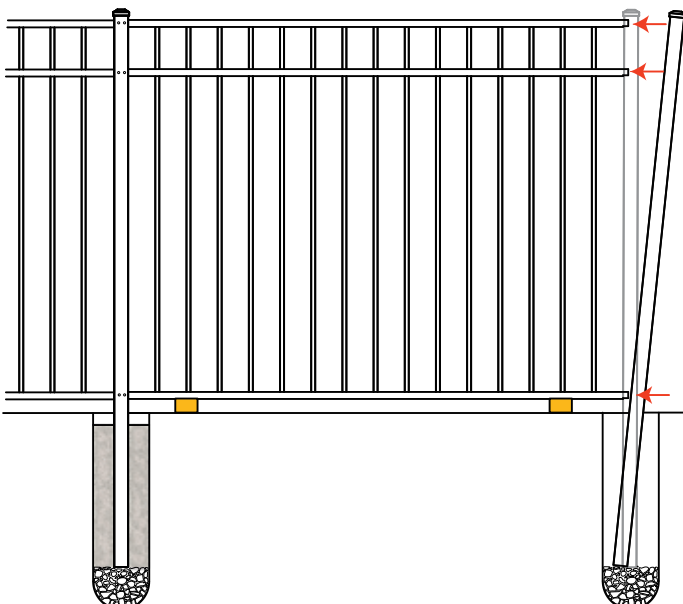
- Insert rail ends into post
- Fasten post to each rail with provided self drilling screws

FENCE INSTALL: Step 4

- Position posts so they touch the string line but not move it out of alignment
- Plumb all 3 posts with a level
- Pour concrete into each post hole. Top of concrete may stay 2in. below ground level. Fill later with sod or dirt
- Recheck post position to string and plumb. Adjust as needed before concrete sets
- Remove concrete splatter from post with wet cloth before concrete starts to dry

FENCE INSTALL: Step 5

- Proceed by adding next post and panel
- Place post in hole, inserting rail ends into pre-routed holes in posts, place spacing blocks under panel and secure rails to posts with self drilling screws
- Gravel to bottom of post, adjust to string and plumb, pour concrete, and check for needed adjustments.
- Repeat

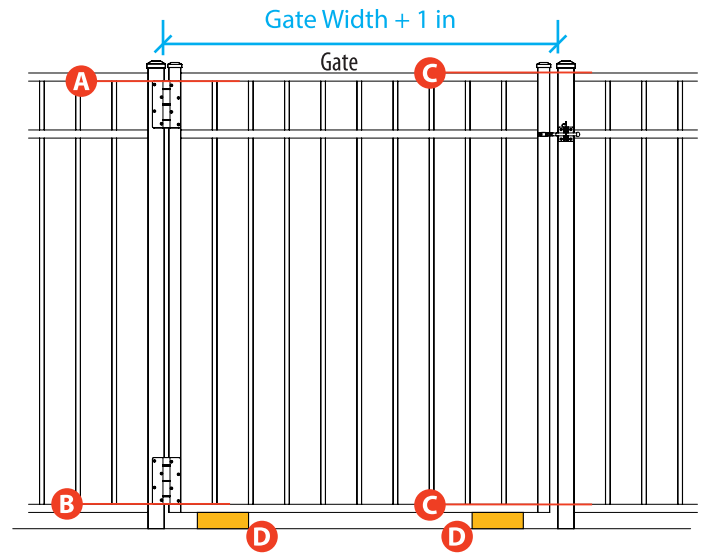


FENCE INSTALL: Step 6

- Continue this method until you reach gate, corner or end position. Work with a maximum of two post positions at a time to be efficient

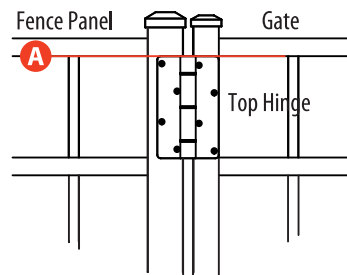
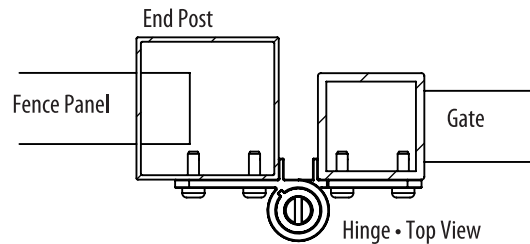
GATE INSTALL

- Gates need be installed on level ground
- Self closing hinges and striker latch come with all gates
- The gate opening between posts should be the width of the gate plus 1 in. (47in. gate + 1 in. needs a 48in. gate opening measured from inside post to inside post)
- Make sure both gate/end posts are level and plumb
- Do not attach gate until concrete is fully set

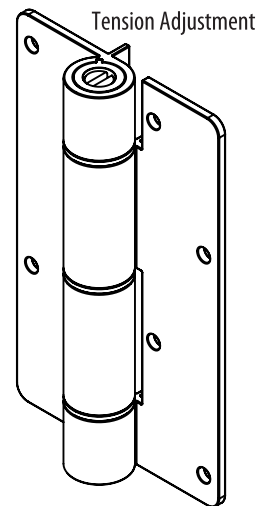


HINGE INSTALL

- Attach hinges to desired post with top hinge aligned to bottom of top rail. **A**
- Bottom hinge aligned to top edge of bottom rail **B**
- Rails of fence and gate should align **C**
- Bottom of gate should be 2in. above ground. Use spacer blocks **D** to hold gate in place while attaching
- Position gate against hinge, align rails and secure hinge to gate with self drilling screws

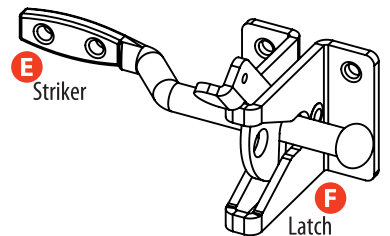
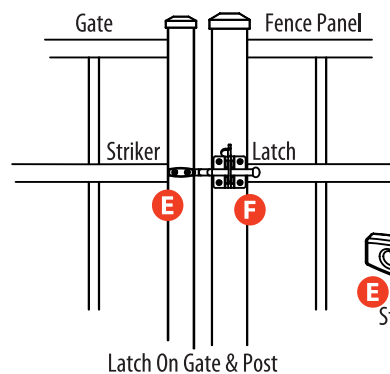


Self Closing Hinge



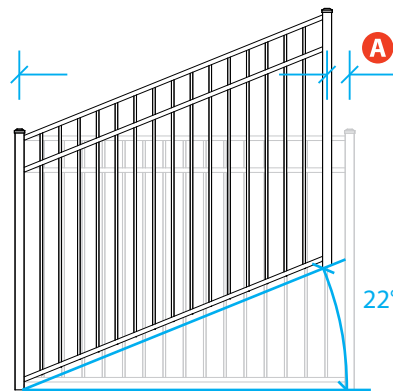
LATCH INSTALL

- Attach striker **E** to the open side of the gate. Use the striker to determine the placement of latch **F** on the end gate post
- For pool installation an extended magnetic gate latch with key may be required. Check with local building codes



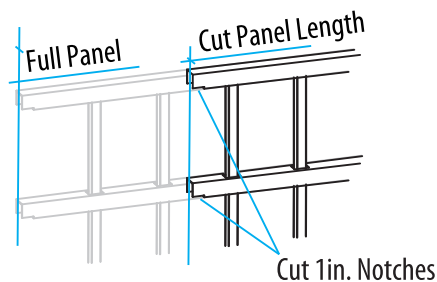
INCLINE INSTALL

- Most IronCraft aluminum panels can be installed on an incline. Fence panels can rack up to 22 degrees
- The previous installation procedure should be followed
- On center post measurement will decrease slightly as the angle of rake increases **A**



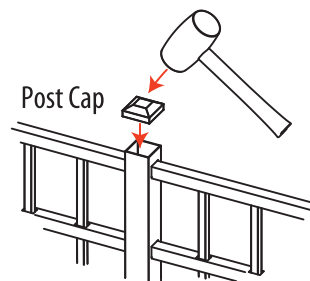
SHORT PANELS

- When a shorter panel is needed panels may be cut down to size with a hacksaw. A 1 in. notched section must be left on all rails to insert into pre-routed holes in posts (if the space between posts is 54in. the full length of cut down panel must be 56in)
- Notch bottom edges of each rail 1in. to match original rail ends. Both ends may need to be cut and notched so rail end spacing is equal



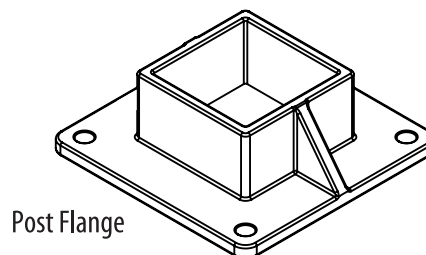
POST CAPS

- Use a rubber mallet to tap selected post caps onto top of each post



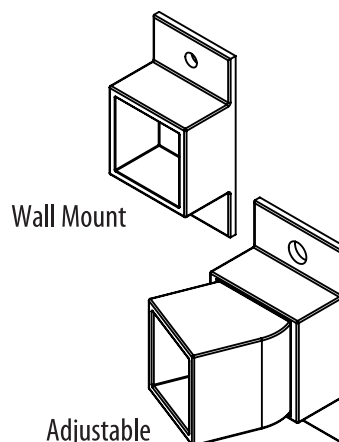
POST FLANGE

- Use steel flanges when installing on top of concrete or wood structures. Anchor flanges into hard surface with appropriate fasteners. Cut posts to length so attached fence section is 2in. above this hard surface. Self drilling screws attach flange to post



WALL ATTACHMENT

- Special mounts are required when attaching panels to walls, columns or pillars. Attach mount for each rail to wall or other vertical surface with appropriate fasteners
- Adjustable Mounts are used when the angle of panel to wall or post needs to be other than 90° or 180°. Mounts are screwed to surface of post, wall, or pillar
- Fencing codes require the maximum space between pickets, or between picket and post to be less than 4in.
- When using wall mounts or adjustable mounts the notched ends (and possibly more) may need to be cut from rails ends. When assured this space is less than 4in. side rails in and secure with self drilling screws



LIFETIME LIMITED WARRANTY

Origin Point Brands® warrants that the powder coating on its Aluminum Fences will not peel, chip, crack, blister or flake for as long as the original purchaser of the product owns the home where the product is installed. Origin Point Brands® also warrants that the framework will be free from defects in workmanship and materials for the same period of time. This warranty is extended only to an original purchaser who installed the product at a residence (not commercial premises) in the 50 United States. It is not transferable.

If a defect exists, Origin Point Brands® will, at its option, either repair or replace the product or the defective component. This warranty does not cover the costs of labor to remove a defective product or component or install any replacement product or component.

This warranty shall not apply to defects or damages caused by mishandling, improper installation or installation not in accordance with the instructions provided with the product, alteration, removal or re-installation, improper or unreasonable use, maintenance or storage, use of incompatible accessories, accident, impact by foreign objects, fire, acts of God or normal wear and tear.

No person is authorized to extend or otherwise modify this Warranty.

How to Obtain Warranty Service

To obtain warranty service, send a written notice and photograph(s) demonstrating the defect, together with proof of purchase (retain a copy for your records), to Origin Point Brands®, 1116 Newton Way, Summerville, SC 29483. With questions, please call Customer Service at (800) 607-6409. Origin Point Brands® reserves the right to inspect the product.

LIMITATIONS

THE DURATION OF ANY IMPLIED WARRANTY, INCLUDING THE WARRANTIES OF MERCHANTABILITY AND FITNESS FOR A PARTICULAR PURPOSE, SHALL NOT EXCEED THE WARRANTY PERIOD PROVIDED HEREIN.

Some states do not allow limitations on how long an implied warranty lasts, so the above Limitation may not apply to you.

ORIGIN POINT BRANDS® SHALL NOT BE LIABLE FOR ANY INCIDENTAL OR CONSEQUENTIAL DAMAGES RESULTING FROM THE BREACH OF ANY WRITTEN OR IMPLIED WARRANTY.

Some states do not allow the exclusion or limitation of incidental or consequential damages, so the above limitation or exclusion may not apply to you.

This warranty gives you specific legal rights, and you may also have other legal rights which vary from State to State.



Origin Point Brands, LLC • 1116 Newton Way • Summerville, SC 29483 • www.OriginPointBrands.com

WARNING

Always research, verify, and comply with requirements of State laws, local building codes and/or ordinances, zoning limitations, and other legal mandates for pool, hot tub, and spa fencing. Such requirements vary from city to city, county to county, and/or State to State. References to such limitations may include the International Residential Code ("IRC"), the International Code Council ("ICC"), the Building Owners and Code Administrators ("BOCA"), the American National Standards Institute ("ANSI"), and others. Height, spacing, and/or other dimension requirements and specifications vary. If permitting is required, always obtain a permit before ordering fencing.

THIS PRODUCT IS NOT WARRANTED TO COMPLY WITH ANY POOL, HOT TUB, AND SPA FENCING REQUIREMENTS AND ANY WARRANTY THERETO IS EXPRESSLY DISCLAIMED. THERE ARE NO WARRANTIES, EXPRESS OR IMPLIED, THAT EXTEND BEYOND THE DESCRIPTION ON THE FACE HEREOF, INCLUDING ANY WARRANTY FOR NONCOMPLIANCE WITH ANY POOL, HOT TUB, AND SPA FENCING REQUIREMENTS.

ANY AND ALL IMPLIED WARRANTIES, INCLUDING ANY AND ALL WARRANTIES OF FITNESS FOR THE PARTICULAR PURPOSE OF POOL, HOT TUB, OR SPA FENCING, IS DISCLAIMED.



Questions, problems, missing parts? Before returning to your retailer, call our customer service department at 1.888.662.1788, 8:00 am – 5:00 pm EST Monday – Friday. Or visit our website www.IronCraftFences.com

