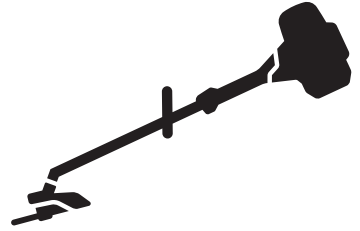




# Husqvarna®



## 128LX

EN Operator's manual  
ES-MX Manual del usuario  
FR-CA Manuel d'utilisation

2-25  
26-50  
51-75

---

## Contents

---

Introduction.....	2	Troubleshooting.....	23
Safety.....	5	Transportation and storage.....	24
Assembly.....	11	Technical data.....	24
Operation.....	14	Accessories.....	24
Maintenance.....	20		

---

## Introduction

---

### Product description

The product is a grass trimmer with a combustion engine.

Work is constantly in progress to increase your safety and efficiency during operation. Speak to your servicing dealer for more information.

### Intended use

Use the product with a grass blade or a trimmer head to cut grass. Do not use the product for other tasks than grass trimming and grass clearing.

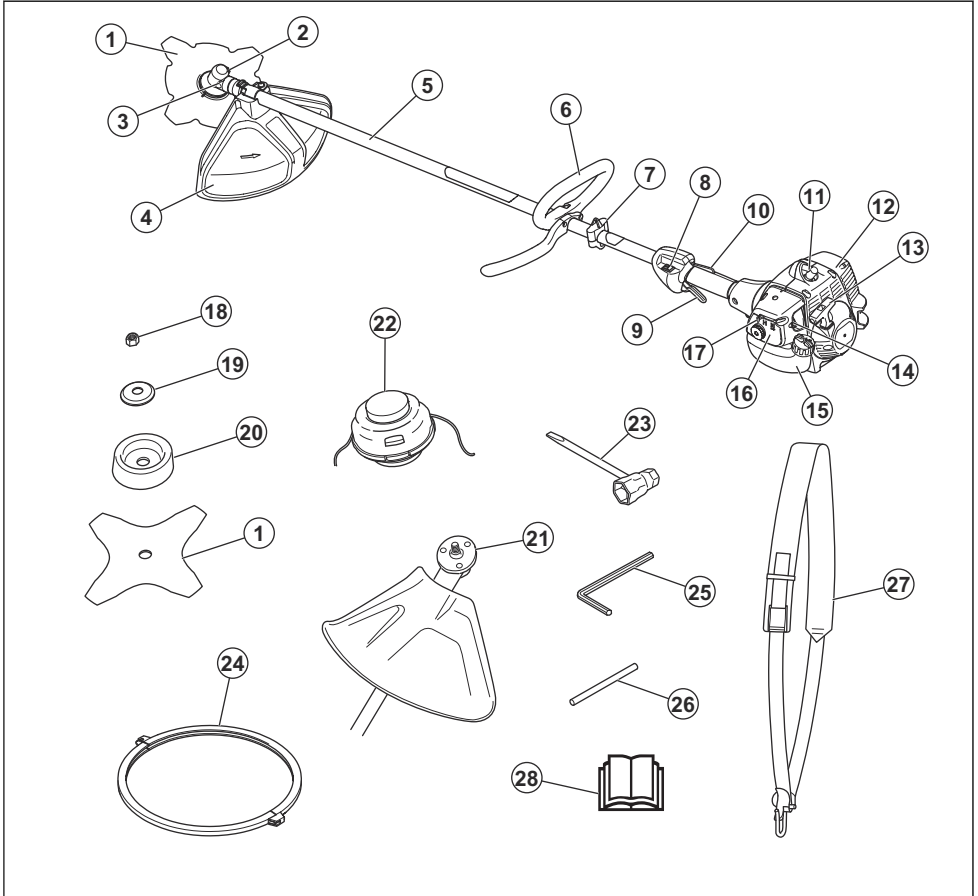
---

**Note:** National or local regulations can set limit to the operation of the product.

---

Only use the product with accessories that are approved by the manufacturer. Refer to *Accessories on page 24*.

## Product overview



- |                                   |                        |
|-----------------------------------|------------------------|
| 1. Grass blade                    | 17. Choke control      |
| 2. Grease filler cap              | 18. Locknut            |
| 3. Bevel gear                     | 19. Support flange     |
| 4. Cutting attachment guard       | 20. Support cup        |
| 5. Shaft                          | 21. Drive disc         |
| 6. J-handle                       | 22. Trimmer head       |
| 7. Harness clamp                  | 23. Combination wrench |
| 8. Stop switch                    | 24. Transport guard    |
| 9. Throttle trigger               | 25. Hex key            |
| 10. Throttle trigger lockout      | 26. Locking pin        |
| 11. Spark plug cap and spark plug | 27. Harness            |
| 12. Cylinder cover                | 28. Operator's manual  |
| 13. Starter rope handle           |                        |
| 14. Air purge bulb                |                        |
| 15. Fuel tank                     |                        |
| 16. Air filter cover              |                        |

## Symbols on the product



**WARNING!** Be careful and use the product correctly. This product can cause serious injury or death to the operator or others.



Read the operator's manual carefully and make sure that you understand the instructions before use.



Use approved hearing protection. Use approved eye protection.



Use approved protective gloves during operation and maintenance. Use protective boots or shoes with non-slip soles. Use clothing of strong fabric and of full length.



Make sure that long hair is put above your shoulders.



The product can cause objects to eject, which can cause injury.



Maximum speed of the output shaft.



Keep a minimum distance of 15 m / 50 ft. to persons and animals during operation of the product.



Risk of blade thrust if the cutting equipment touches an object that it does not immediately cut. The product can cut off body parts. Keep a minimum of 15 m / 50 ft. distance to persons and animals during operation of the product.



The arrows shows the limit for the handle position.



Air purge bulb.



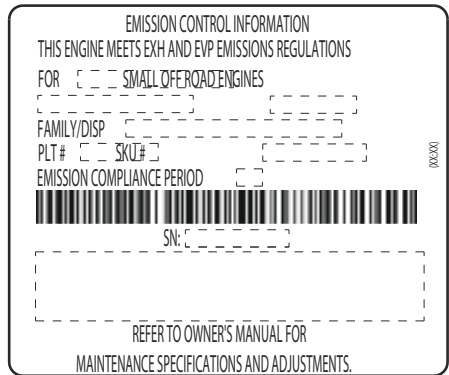
Choke.

yyyywwxxxx

The rating plate shows the serial number. **yyyy** is the production year and **ww** is the production week.

**Note:** Other symbols/decals on the product refer to certification requirements for other commercial areas.

## EPA III



The Emissions Compliance Period referred to on the Emission Compliance label indicates the number of operating hours for which the engine has been shown to meet Federal and California emissions requirements.


### EMISSION CONTROL LABEL ABBREVIATIONS

General		Exhaust emission control systems		Evaporative emission control systems	
ECS	Emission control system	ECM	Engine control module (Autotune)	C	Coextruded (Multilayer)
EXH/EVP	Exhaust and Evaporative	EM	Engine modification	N	Nylon
HRS	Hours	OC	Oxidizing Catalyst	P	Treated HDPE or PE
REGS	Regulations	TWC	Three way catalyst	S	Sealed

## EMISSION CONTROL LABEL ABBREVIATIONS

General		Exhaust emission control systems	Evaporative emission control systems
SORE	Small off road engines		
US EPA	United States Environmental Protection Agency		
CAL	California		
EVAP	Evaporative		
DISPL	Displacement		

## California Proposition 65

 **WARNING!**

The engine exhaust from this product contains chemicals known to the State of California to cause cancer, birth defects or other reproductive harm.

## Product liability

As referred to in the product liability laws, we are not liable for damages that our product causes if:

- the product is incorrectly repaired.
- the product is repaired with parts that are not from the manufacturer or not approved by the manufacturer.
- the product has an accessory that is not from the manufacturer or not approved by the manufacturer.
- the product is not repaired at an approved service center or by an approved authority.

## Safety

### Safety definitions

Warnings, cautions and notes are used to point out specially important parts of the manual.



**WARNING:** Used if there is a risk of injury or death for the operator or bystanders if the instructions in the manual are not obeyed.



**CAUTION:** Used if there is a risk of damage to the product, other materials or the adjacent area if the instructions in the manual are not obeyed.

**Note:** Used to give more information that is necessary in a given situation.

### General safety instructions



**WARNING:** Read the warning instructions that follow before you use the product.

- A clearing saw, brushcutter or trimmer can be dangerous if used carelessly or incorrectly and can cause serious injury or death to the operator or

others. It is extremely important that you read and understand the contents of this operator's manual.

- Under no circumstances may the design of the product be modified without the permission of the manufacturer. Never use a product that has been modified in any way from its original specification and always use original accessories. Non-authorized modifications and/or accessories can result in serious personal injury or the death of the operator or others.
- The inside of the muffler contain chemicals that may be carcinogenic. Avoid contact with these elements in the event of a damaged muffler.
- This product produces an electromagnetic field during operation. This field may under some circumstances interfere with active or passive medical implants. To reduce the risk of serious or fatal injury, we recommend persons with medical implants to consult their physician and the medical implant manufacturer before operating this product.

### Safety instructions for assembly



**WARNING:** Read the warning instructions that follow before you use the product.

- Use approved protective gloves when you assemble the product and cutting attachment.
- Remove the spark plug cap from the spark plug before you assemble the product.
- Make sure that the correct handlebar and cutting attachment guard are assembled before you operate the product.
- A defective or incorrect cutting attachment guard can cause injury. Do not use a cutting attachment without an approved cutting attachment guard.
- Attach the clutch cover and shaft correctly before you start the product.
- The drive disc and support flange must engage correctly in the center hole of the cutting attachment. A cutting attachment that is attached incorrectly can cause injury or death.
- Attach the harness to the product to prevent injury to the operator or others.
- Watch out for thrown objects. Always wear approved eye protection. Never lean over the cutting attachment guard. Stones, rubbish, etc. can be thrown up into the eyes causing blindness or serious injury.
- Never use the product if you are tired, if you are ill, if you have consumed alcohol, or if you are taking other drugs or medication that can affect your vision, judgement or coordination.
- Long-term exposure to noise can result in permanent hearing loss. Always use approved hearing protection.
- Listen for warning signals and loud voices when you use hearing protection. Always remove your hearing protection when the engine stops.
- Carry out an overall inspection of the product before use. Refer to *Before you operate the product on page 14*.
- Never use the product if it is changed or defective.
- Make sure that the spark plug cap and ignition lead are not damaged to prevent the risk of electrical shock.

## Safety instructions for operation



**WARNING:** Read the warning instructions that follow before you use the product.

- Never use a harness with a defective quick release. When using a brush cutter it must always be hooked securely to the harness. Otherwise you will be unable to control the brush cutter safely and this can result in injury to yourself or others.
- Always hold the product with both hands. Hold the product on the right side of your body. Keep the cutting attachment below waist level. Connect the product to the suspension ring on the harness. Keep all parts of your body away from the hot surfaces. Keep all parts of your body away from the rotating cutting attachment.
- Learn and understand the difference between forestry clearing, grass clearing and grass trimming before you use the product.
- Never use a product that has been modified in any way from its original specification.
- Never use a product that is faulty. Carry out the safety checks, maintenance and service instructions described in this manual. Some maintenance and service measures must be carried out by trained and qualified specialists. Refer to *Maintenance schedule on page 20*.
- Use personal protective equipment. Refer to *Personal protective equipment on page 7*.
- Do not use the product in bad weather, such as dense fog, heavy rain, strong wind, intense cold, etc. Working in bad weather is tiring and often brings added risks, such as icy ground, unpredictable felling direction, etc.
- The only accessories you can operate with this engine unit are the cutting attachments we recommend. Refer to *Accessories on page 24*.
- Look around the work area to make sure that no persons, animals or objects have a negative effect on the safety of the operation of the product.
- Look around the work area to make sure that no persons or animals touch the cutting attachment or are hit by objects that are ejected from the cutting attachment.
- Examine the work area. Remove all loose objects, such as stones, broken glass, nails, steel wire and string, that can eject or wind around the cutting attachment.
- Do not use the product in a situation or location where you can not get aid if an accident occurs.
- Do not use the product without a guard.
- Make sure that persons or animals keep a distance of a minimum of 15 m/50 ft during work. Always look behind you before you turn around with the product. Stop the product immediately if a person or animal enters the 15 m/50 ft safety zone. If more than one operator does work in the same area, keep a minimum safety distance of 15 m/50 ft.
- Make sure that you can move safely and have a safe stance. Examine the area around you for obstacles such as roots, rocks, branch and ditches. Be careful during work on slopes.
- Do not overreach. Keep a stable position of the feet and a good balance at all times.
- Before you start the product, put it on a flat surface, at a minimum of 3 m from the fuel source and from where you fill fuel. Make sure that there are no objects near or touching the cutting attachment.
- If the cutting attachment rotates at idle speed, let a service agent adjust it. Do not use the product until it is adjusted or repaired.
- Look out for thrown objects. Always use approved eye protection and keep away from the cutting attachment guard. Stones and other small objects

can eject into your eyes and cause blindness or other injuries.

- Do not put the product down with the engine on unless you have it in clear view.
- Do not remove the cut material, or let other persons remove cut material, while the engine is on or the cutting equipment rotates, as this can result in serious injury.
- The bevel gear can get hot during use and may remain so for a while afterwards. You could get burnt if you touch it.
- Always stop the engine and make sure that the cutting equipment does not rotate before you remove material that is wound around the blade shaft or caught between the guard and the cutting attachment. The cutting equipment continues to rotate even after the throttle has been released. Ensure that the cutting attachment has stopped completely and disconnect the spark plug cap before you start to work on it.
- Be careful when you remove material from around the cutting equipment. The bevel gear gets hot during operation and can cause burn injuries.
- The exhaust fumes from the engine are hot and can contain sparks. Risk of fire. Be careful around dry and flammable material.
- Stop the engine before you move to a new work area. Always attach the transport guard before you move the equipment.
- Never use the product indoors or in spaces lacking proper ventilation. Exhaust fumes contain carbon monoxide, an odourless, poisonous and highly dangerous gas can result in death due to asphyxiation or carbon monoxide poisoning.
- Never allow children to use or be in the vicinity of the product. As the product is equipped with a spring-loaded stop switch and can be started by low speed and force on the starter handle, even small children under some circumstances can produce the force necessary to start the product. This can mean a risk of serious personal injury. Therefore remove the spark plug cap when the product is not under close supervision.
- Overexposure to vibration can lead to circulatory damage or nerve damage in persons who have poor circulation. Speak to your physician if you experience symptoms of overexposure to vibration. Such symptoms include numbness, loss of feeling, tingling, pricking, pain, loss of strength, changes in skin color or condition. These symptoms usually show in the fingers, hands or wrists. The risk increases at low temperatures.
- Check that the cutting equipment is correctly fitted and adjusted.
- If you encounter a situation where you are uncertain how to proceed you should ask an expert. Contact your dealer or your service workshop.
- Avoid all usage which you consider to be beyond your capability.

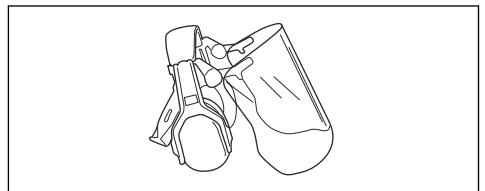
- Do not use the product unless you are able to call for help in the event of an accident.
- Using an incorrect cutting attachment or an incorrectly sharpened blade increases the risk of blade thrust.
- Products fitted with grass blades can be thrown violently to the side when the blade comes into contact with a fixed object. This is called blade thrust. A blade thrust can be violent enough to cause the product and/or operator to be propelled in any direction, and possibly lose control of the product. Blade thrust can occur without warning if the product snags, stalls or binds. Blade thrust is more likely to occur in areas where it is difficult to see the material being cut.
- Avoid cutting with the area of the blade between the 12 o'clock and 3 o'clock positions. Because of the speed of rotation of the blade, blade thrust can occur if you attempt to cut thick stems with this area of the blade.
- Mufflers fitted with catalytic converters get very hot during use and remain so for some time after stopping. This also applies at idle speed. Contact can result in burns to the skin. Remember the risk of fire.
- Only use cutting attachments with the guards we recommend. Refer to *Accessories on page 24*.

## Personal protective equipment



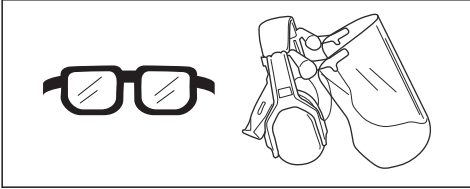
**WARNING:** Read the warning instructions that follow before you use the product.

- Always use approved personal protective equipment when you use the product. Personal protective equipment cannot fully prevent injury but it decreases the degree of injury if an accident does occur. Let your dealer help you select the correct equipment.
- Use approved hearing protection.

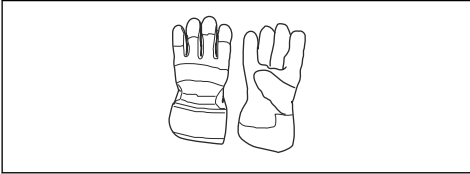


- Use approved eye protection. If you use a visor, you must also use approved protective goggles. Approved protective goggles must comply with the

ANSI Z87.1 standard in the USA or EN 166 in EU countries.



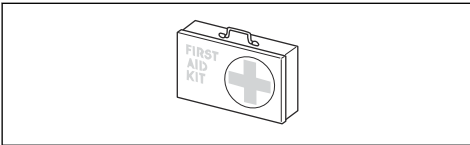
- Use gloves when it is necessary, for example when you attach, examine or clean the cutting equipment.



- Use protective boots with steel toe-cap and non-slip soles.



- Use clothing made of a strong fabric. Always use heavy, long pants and long sleeves. Do not use loose clothing that can catch on twigs and branches. Do not use jewelry, short pants or sandals. Do not go with bare feet. Put your hair up safely above shoulder level.
- Keep first aid equipment near.



## Safety devices on the product

For information about where to find the safety devices, see *Introduction on page 2*.



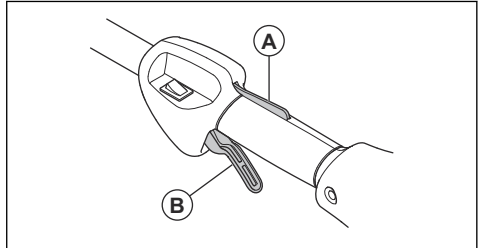
**WARNING:** Read the warning instructions that follow before you use the product.

- Do not use a product with defective safety devices. Do a check of and do maintenance on the safety devices regularly. If the safety devices are defective, speak to your Husqvarna service agent.

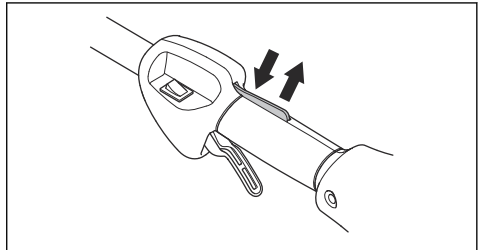
- Do not make changes to safety devices. Do not use the product if protective covers, safety switches or other protective devices are not attached or are defective.
- For all service and repair work on the product, especially for the safety devices, special training is necessary. If the safety devices fail the checks given in this operator's manual, you must let a service agent help you. We guarantee that professional repairs and service is available. If your dealer is not a service agent, speak to them for information about the nearest service agent.
- Do not use a cutting attachment without an approved and correctly attached cutting attachment guard. See *Accessories on page 24*.

### To do a check of the throttle trigger lockout

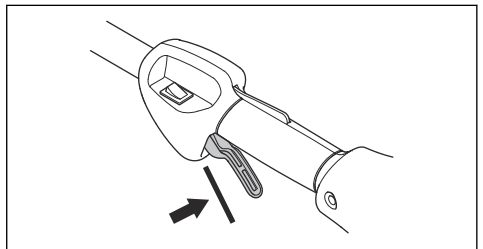
1. Make sure that the throttle trigger lockout (A) and throttle trigger (B) move freely and that the return spring works correctly.



2. Push down the throttle trigger lockout and make sure that it goes back to its initial position when you release it.



3. Make sure that the throttle trigger is locked at the idle position when the throttle trigger lockout is released.





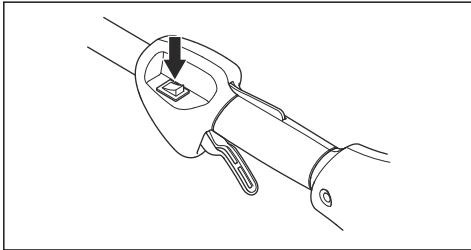
4. Start the product and apply full throttle.
5. Release the throttle trigger and make sure that the blades stop and stay stationary.



**WARNING:** If the blades move when the throttle trigger is in the idle position, then the carburetor idle speed must be adjusted. Refer to *To adjust the idle speed on page 21.*

#### To do a check of the stop switch

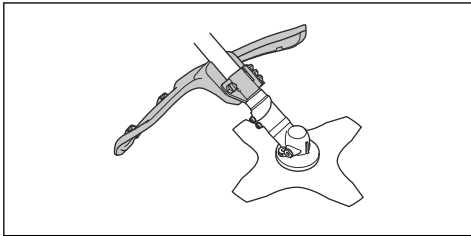
1. Start the engine.
2. Move the stop switch to the stop position and make sure that the engine stops.



#### To do a check of the cutting attachment guard

The cutting attachment guard prevents injuries and stops objects that eject in the direction of the operator.

1. Stop the engine.
2. Do a visual check for damages, for example cracks.



3. Replace the cutting attachment guard if it is damaged.

#### To adjust the harness

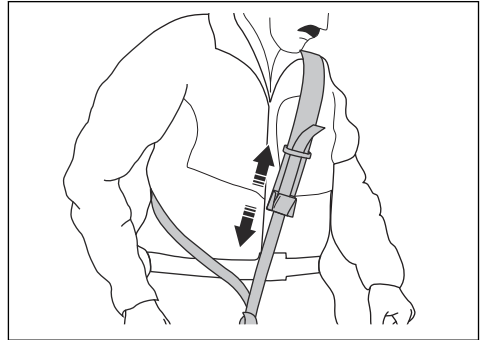
Always use the harness when you operate the product. The harness gives maximum control during operation of the product. The harness decreases the risk of tiredness in your arms and back.



**WARNING:** Do not use a defective harness.

1. Examine the harness for damage and wear. Always replace a damaged harness.
2. Put on the harness.

3. Adjust the length of the harness until the support hook is approximately level with your right hip.



#### To do a check of the muffler



**WARNING:** Do not use a product that has a defective muffler.



**WARNING:** Do not use the product if the spark arrester screen on the muffler is missing or defective.



**WARNING:** The muffler becomes very hot during and after operation and also at idle speed. Use protective gloves to prevent burn injuries.

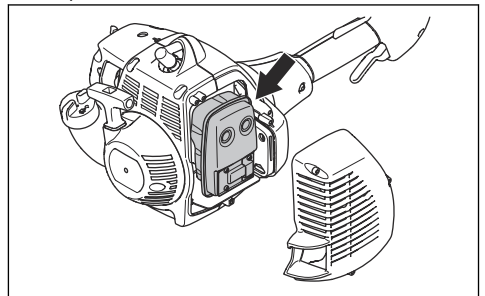
The muffler keeps noise levels to a minimum and points exhaust fumes away from the operator.

1. Stop the engine.
2. Examine the muffler for damage and defects.

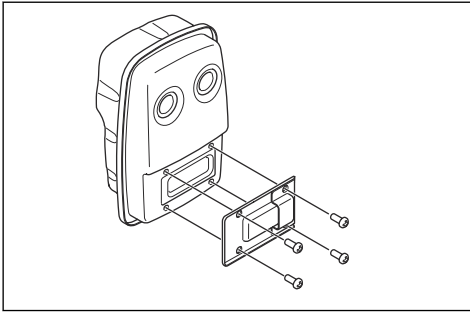


**WARNING:** The inner surfaces of the muffler contain chemicals that can cause cancer. Be careful not to touch these elements if the muffler is damaged.

3. Make sure that the muffler is correctly attached to the product.



4. Do a visual check of the spark arrester screen.



- a) Replace the spark arrester screen if it is damaged.
- b) Clean the spark arrester screen if it is blocked.



**CAUTION:** If the spark arrester screen is blocked the product becomes too hot and this causes damage to the cylinder and piston.

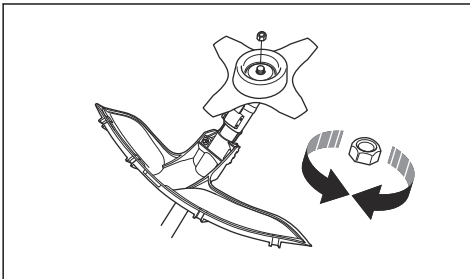
#### To install and remove the locknut



**WARNING:** Stop the engine, use protective gloves and be careful around the sharp edges of the cutting attachment.

A locknut is used to attach some types of cutting attachments. The locknut has a left hand thread.

- To install the locknut, turn the locknut in the opposite direction from the direction of rotation.



- To remove the locknut, remove the locknut in the direction of rotation.
- To loosen or tighten the locknut, use a socket wrench with a long shaft.



**WARNING:** When you loosen and tighten the locknut there is a risk of injury from the cutting attachment. Be careful and do not touch the cutting attachment.

**Note:** Make sure that you can not turn the locknut by hand. Replace the locknut after it has been put on

approximately 10 times. The locknut must be replaced after it has been put on approximately 10 times.

#### Cutting attachment



**WARNING:** Read the warning instructions that follow before you use the product.

- Do the regular maintenance. Let an approved service center regularly examine the cutting attachment to do adjustments or repairs.
  - The performance of the cutting attachment increases.
  - The life of the cutting attachment increases.
  - The risk of accidents decreases.
- Only use an approved cutting attachment guard. Refer to *Accessories on page 24*.
- Do not use a damaged cutting attachment.

#### Grass trimmer head

- Make sure that you wind the grass trimmer line tightly and equally around the drum to decrease the vibration.
- Use only the approved grass trimmer heads and grass trimmer lines. Refer to *To trim the grass on page 16*.
- Use a correct length of the grass trimmer line. A long grass trimmer line uses more engine power than a short grass trimmer line.
- Make sure that the cutter on the cutting attachment guard is not damaged.
- Soak the grass trimmer line in water for 2 days before you attach the grass trimmer line to the product. This increases the life of the grass trimmer line.
- Refer to the instructions for the cutting attachment to use the correct procedure to load the cord and the correct cord diameter.

#### Grass blade

- Use correctly sharpened blades. An incorrectly sharpened or damaged blade increases the risk of injury. Refer to the instructions on the blade packaging.
- Use correctly set blades. An incorrectly set blade increases the risk of injury and damage.

#### Fuel safety



**WARNING:** Read the warning instructions that follow before you use the product.

- Do not mix the fuel indoor or near a heat source.
- Do not start the product if there is fuel or engine oil on the product. Remove the unwanted fuel/oil and let the product dry. Remove unwanted fuel from the product.

- If you spill fuel on your clothing, change clothing immediately.
- Do not get fuel on your body, it can cause injury. If you get fuel on your body, use a soap and water to remove the fuel.
- Do not start the engine if you spill oil or fuel on the product or on your body.
- Do not start the product if the engine has a leak. Examine the engine for leaks regularly.
- Be careful with fuel. Fuel is flammable and the fumes are explosive and can cause injuries or death.
- Do not breathe in the fuel fumes, it can cause injury. Make sure that there is sufficient airflow.
- Do not smoke near the fuel or the engine.
- Do not put warm objects near the fuel or the engine.
- Do not add the fuel when the engine is on.
- Make sure that the engine is cool before you refuel.
- Before you refuel, open the fuel tank cap slowly and release the pressure carefully.
- Make sure there are sufficient airflow when refueling and mixing fuel (petrol and two-stroke oil) or draining the fuel tank.
- Fuel and fuel vapor are highly flammable and can cause serious injury when inhaled or allowed to come into contact with the skin. For this reason, observe caution when handling fuel and make sure there is sufficient airflow.
- Tighten the fuel tank cap carefully or a fire can occur.
- Move the product at a minimum of 3 m (10 ft) from the position where you filled the tank before a start.
- Do not put too much fuel in the fuel tank.
- Make sure that a leak cannot occur when you move the product or fuel container.
- Do not put the product or a fuel container where there is an open flame, spark or pilot light. Make sure that the storage area does not contain an open flame.
- Only use approved containers when you move the fuel or put the fuel into storage.
- Empty the fuel tank before long-term storage. Obey the local law on where to dispose fuel.
- Clean the product before long-term storage.
- Remove the spark plug cap before you put the product into storage to make sure that the engine does not start accidentally.

## Safety instructions for maintenance



**WARNING:** Read the warning instructions that follow before you use the product.

- Stop the engine, make sure that the cutting attachment stops and let the product cool down before you do the maintenance.
- Disconnect the spark plug cap before you do the maintenance.
- The exhaust fumes from the engine contain carbon monoxide, an odorless, poisonous and very dangerous gas that can cause death. Do not run the product indoors or in closed spaces.
- The exhaust fumes from the engine are hot and can contain sparks. Do not run the product indoors or near flammable material.
- Accessories and changes to the product that are not approved by the manufacturer, can cause serious injury or death. Do not change the product. Always use original accessories.
- If the maintenance is not done correctly and regularly, there is an increased risk of injury and damage to the product.
- Only do the maintenance as this operator's manual recommends. Let an approved Husqvarna service agent do all other servicing.
- Let an approved Husqvarna service agent do servicing on the product regularly.
- Replace damaged, worn or broken parts.

## Assembly

### Introduction



**WARNING:** Before you assemble the product, you must read and understand the safety chapter.



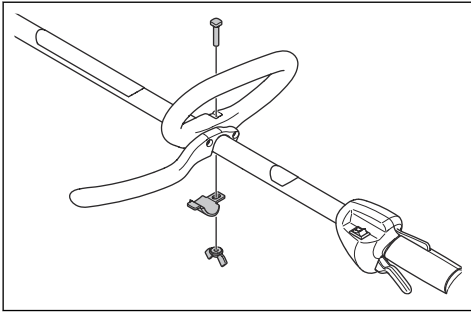
**WARNING:** Remove the spark plug cable from the spark plug before you assemble the product.

### To install the J-handle

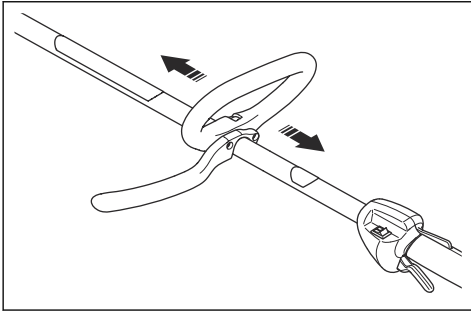


**WARNING:** Use only grass blades or trimmer heads with the J-handle.

1. Put the J-handle between the 2 arrows on the shaft.



2. Install the screw, the plate and the wing nut.
3. Adjust the J-handle to a good work position.



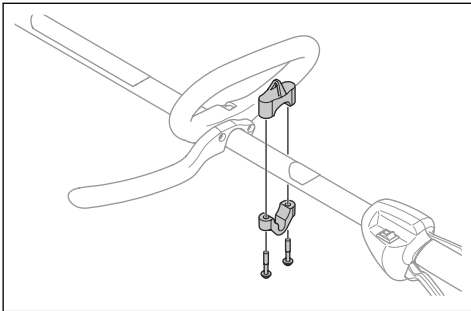
4. Tighten the wing nut fully.

## To install the harness clamp



**WARNING:** The harness must be attached safely to the harness clamp when you operate the product.

1. Put the 2 halves of the harness clamp onto the shaft and align the screw holes.



2. Install the 2 screws.
3. Adjust the harness clamp to the correct position above the arrow.
4. Tighten the 2 screws fully.

## To assemble the cutting equipment

The cutting equipment includes a cutting attachment and a cutting attachment guard.



**WARNING:** Use protective gloves.



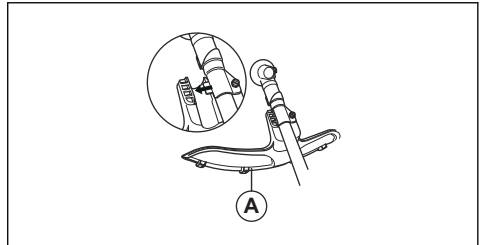
**WARNING:** Always use the cutting attachment guard that is recommended for the cutting attachment. See *Accessories* on page 24.



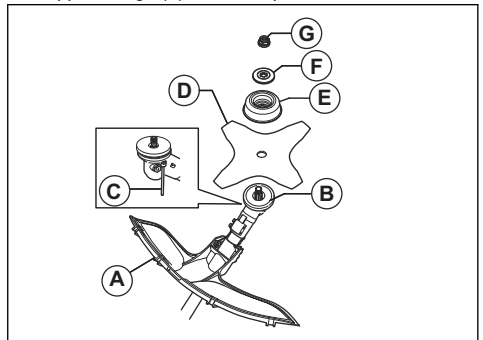
**WARNING:** An incorrectly attached cutting attachment can result in injury or death.

## To install the cutting attachment guard and the grass blade

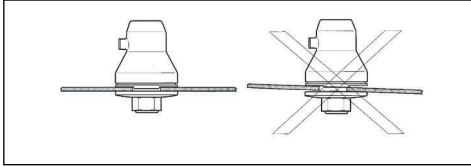
1. Put the cutting attachment guard (A) onto the shaft and tighten the bolt.



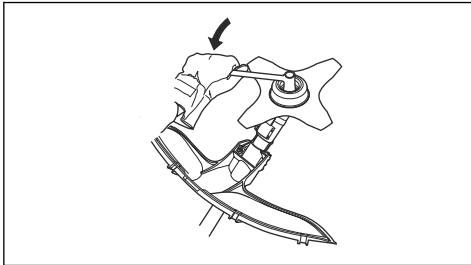
2. Turn the output shaft to align one of the holes in the drive disc (B) with the related hole in the gear housing.
3. Put the locking pin (C) in the hole to lock the shaft.
4. Put the grass blade (D), the support cup (E) and the support flange (F) on the output shaft.



5. Make sure that the drive disc and support flange engages correctly in the center hole of the grass blade.



6. Attach the nut (G).
7. Tighten the nut with the socket wrench. Hold the shaft of the socket wrench near the cutting attachment guard. Tighten in the opposite direction to how the cutting attachment rotates. Torque the nut to 35–50 Nm.

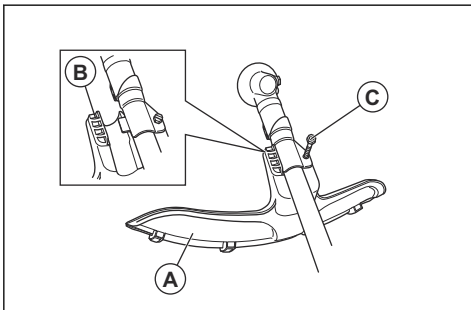


### To install the cutting attachment guard and the trimmer head

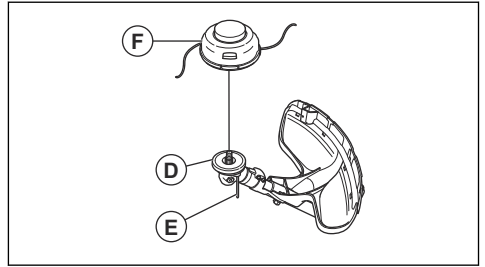


**CAUTION:** Make sure that the guard extension is assembled.

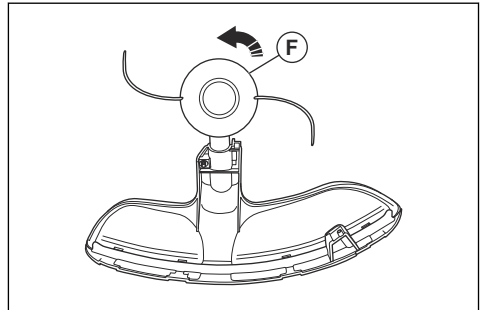
1. Install the cutting attachment guard (A) intended for operation with the trimmer head.
2. Hang the cutting attachment guard on the 2 hooks on the plate holder (B).
3. Bend the cutting attachment guard around the shaft and tighten the screw (C) on the opposite side of the shaft. Use the combination wrench to tighten the screw.



4. Install the drive disc (D) on the output shaft.



5. Turn the output shaft until 1 of the holes in the drive disc aligns with the related hole in the gear housing.
6. Put the locking pin (E) in the hole to lock the shaft.
7. Install the trimmer head (F) counterclockwise.



8. To remove the trimmer head and the cutting attachment guard, follow the instructions in the opposite sequence.

# Operation

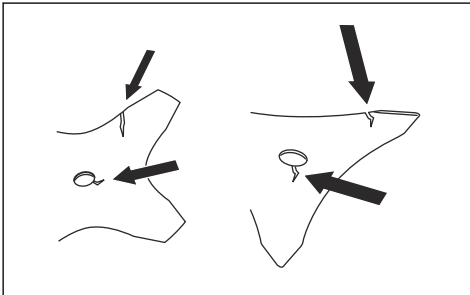
## Introduction



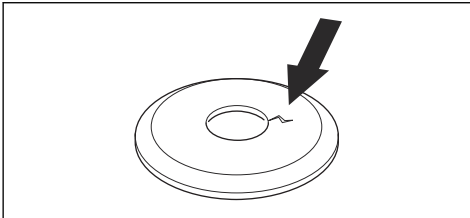
**WARNING:** Before you operate the product, you must read and understand the safety chapter.

## Before you operate the product

- Examine the work area to make sure that you know the type of terrain, the slope of the ground and if there are obstacles such as stones, branches and ditches.
- Do an overhaul inspection of the product.
- Do the safety inspections, maintenance and servicing that are given in this manual.
- Make sure that all covers, guards, handles and the cutting equipment are correctly attached and not damaged.
- Make sure that there are no cracks at the bottom of the grass blade teeth or by the center hole of the blade. Replace the blade if it is damaged.

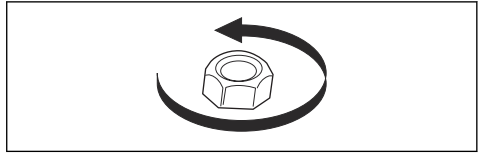


- Examine the support flange for cracks. Replace the support flange if it is damaged.

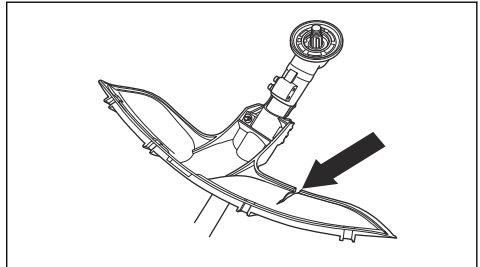


- Make sure that the locknut can not be removed by hand. If you can remove it by hand, it does not lock

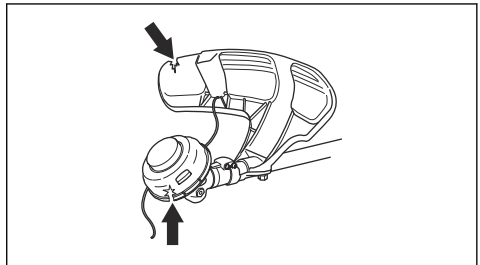
the cutting attachment sufficiently and you must replace it.



- Examine the blade guard for damages or cracks. Replace the blade guard if it has been hit or if it has cracks.



- Examine the trimmer head and cutting attachment guard for damages or cracks. Replace the trimmer head and cutting attachment guard if they have been hit or if they have cracks.



## Fuel

This product has a two-stroke engine.



**CAUTION:** Incorrect type of fuel can result in engine damage. Use a mixture of gasoline and two-stroke oil.

## Premixed fuel

- Use Husqvarna premixed alkylate fuel for best performance and extension of the engine life. This fuel contains less harmful chemicals compared to regular fuel, which decreases harmful exhaust fumes. The quantity of remains after combustion is

lower with this fuel, which keeps the components of the engine more clean.

## To mix fuel

### Gasoline

- Use good quality unleaded gasoline with a maximum of 10% ethanol contents.



**CAUTION:** Do not use gasoline with an octane grade less than 90 RON/87 AKI. Use of a lower octane grade can cause engine knocking, which causes engine damages.

### Two-stroke oil

- For best results and performance use Husqvarna two-stroke oil.
- If Husqvarna two-stroke oil is not available, use a two-stroke oil of good quality for air-cooled engines. Speak to your servicing dealer to select the correct oil.



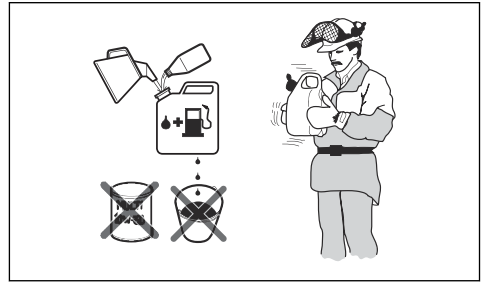
**CAUTION:** Do not use two-stroke oil for water-cooled outboard engines, also referred to as outboard oil. Do not use oil for four-stroke engines.

### To mix gasoline and two-stroke oil

Gasoline, liter	Two-stroke oil, liter
	<b>2% (50:1)</b>
5	0.10
10	0.20
15	0.30
20	0.40
US gallon	US fl. oz.
1	2 ½
2 1/2	6 ½
5	12 ½



**CAUTION:** Small errors can influence the ratio of the mixture drastically when you mix small quantities of fuel. Measure the quantity of oil carefully and make sure that you get the correct mixture.



- Fill half the quantity of gasoline in a clean container for fuel.
- Add the full quantity of oil.
- Shake the fuel mixture.
- Add the remaining quantity of gasoline to the container.
- Carefully shake the fuel mixture.



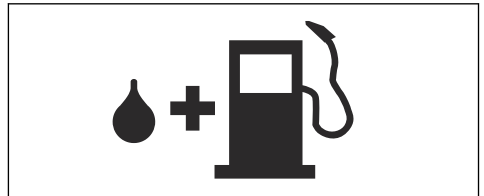
**CAUTION:** Do not mix fuel for more than 1 month at a time.

### To fill the fuel tank



**WARNING:** Obey the procedure that follows for your safety.

- Stop the engine and let the engine become cool.
- Clean the area around the fuel tank cap.



- Shake the container and make sure that the fuel is fully mixed.
- Remove the fuel tank cap slowly to release the pressure.
- Fill the fuel tank.



**CAUTION:** Make sure that there is not too much fuel in the fuel tank. The fuel expands when it becomes hot.

- Tighten the fuel tank cap carefully.
- Clean fuel spillage on and around the product.
- Move the product 3 m/10 ft or more away from the refueling area and fuel source before you start the engine.

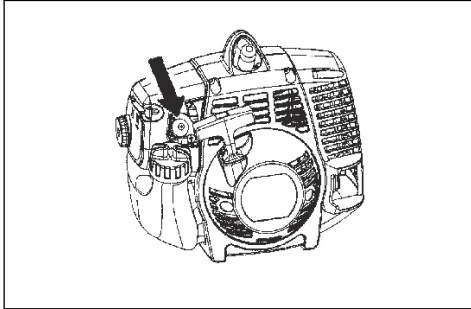
**Note:** To see where the fuel tank is on your product, refer to *Introduction on page 2*.

## To prepare for grass clearing

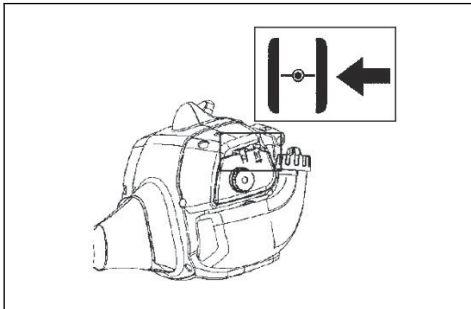
1. Apply support to the product with the harness during grass clearing.
2. Make sure that the cutting equipment is parallel to the ground.

## To start a cold engine

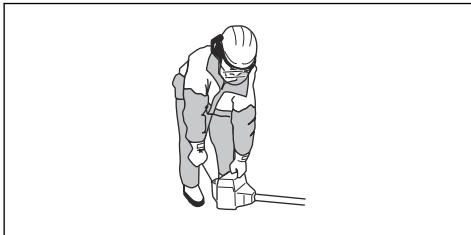
1. Push the air purge bulb 10 times.



2. Move choke control to the full choke position.



3. Hold the body of the product on the ground with your left hand. Do not step on the product. Pull the starter rope handle slowly until you feel some resistance.



**Note:** Do not pull the throttle trigger while you start the engine.

4. Pull the starter rope handle 3 times with force.



**CAUTION:** Do not pull the starter rope until it stops. Do not let go of the starter rope when it is fully extended. Release the starter rope slowly. Failure to obey these instructions can cause damage to the engine.

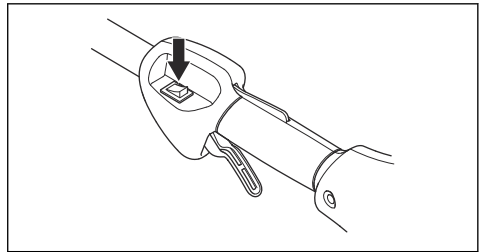
5. Move the choke control to the half choke position.
6. Pull the starter rope handle until the engine starts.
7. Let the engine run for 10 seconds.
8. Move the choke control to the no choke position.

## To start a warm engine

1. Slowly push the air purge bulb 10 times.
2. Move the choke lever to the HALF CHOKE position.
3. Pull the starter rope handle quickly until the engine runs.
4. Move the choke lever to the NO CHOKE position.

## To stop the product

- Push the stop switch to stop the engine.

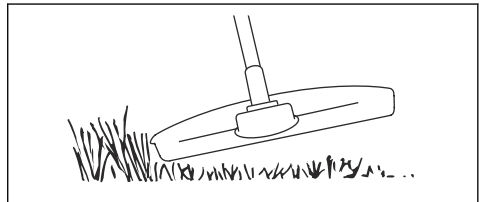


**Note:** The stop switch automatically goes back to its initial position.

## Grass trimming with a trimmer head

### To trim the grass

1. Hold the trimmer head immediately above the ground at an angle. Do not push the trimmer line into the grass.



2. Decrease the length of the trimmer line by 10-12 cm / 4-4.75 in.
3. Decrease the engine speed to decrease the risk of damage to plants.



4. Use 80 % throttle when you cut grass near objects.

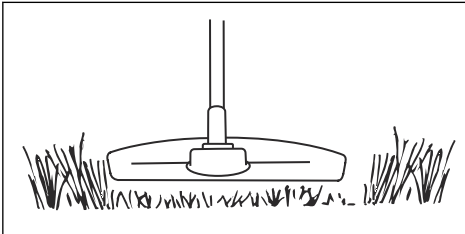


### To clear grass with a grass blade

1. Grass blades and grass cutters must not be used on woody stems.
2. A grass blade is used for all types of tall or coarse grass.
3. The grass is cut down with a sideways, swinging movement, where the movement from right-to-left is the clearing stoke and the movement from left-to-right is the return stoke. Let the left-hand side of the blade (between 8 and 12 o'clock) do the cutting.
4. If the blade is angled to the left when clearing grass, the grass will collect in a line, which makes it easier to collect, e.g. by raking.
5. Try to work rhythmically. Stand firmly with your feet apart. Move forward after the return stoke and stand firmly again.
6. Let the support cup rest lightly against the ground. It is used to protect the blade from hitting the ground.
7. Reduce the risk of material wrapping around the blade by always work at full throttle and avoid the previously cut material during the return stoke.
8. Stop the engine, unclip the harness and place the machine on the ground before you start to collect the cut material.

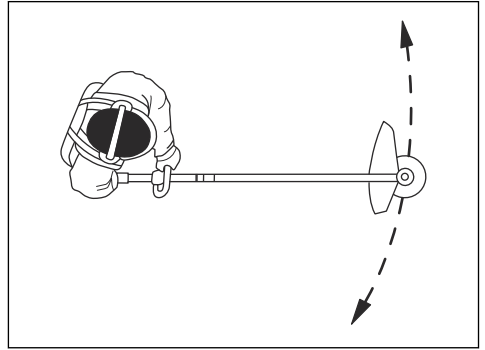
### To cut the grass

1. Make sure that the trimmer line is parallel to the ground when you cut the grass.



2. Do not push the trimmer head to the ground. This can cause damage to the product.

3. Move the product from side to side when you cut grass. Use full speed.



### To sweep the grass

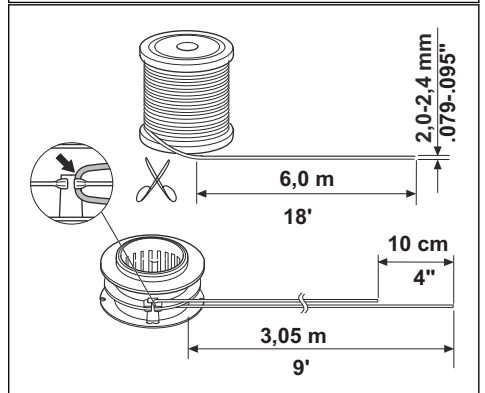
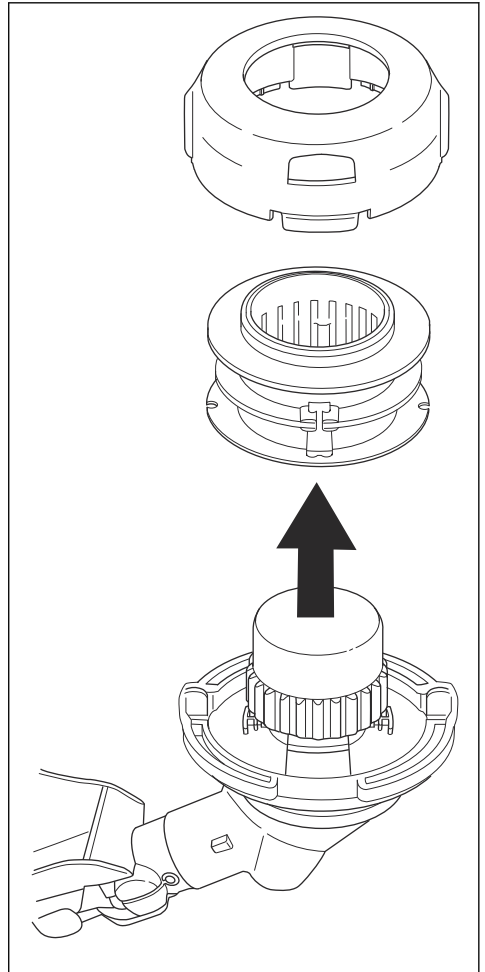
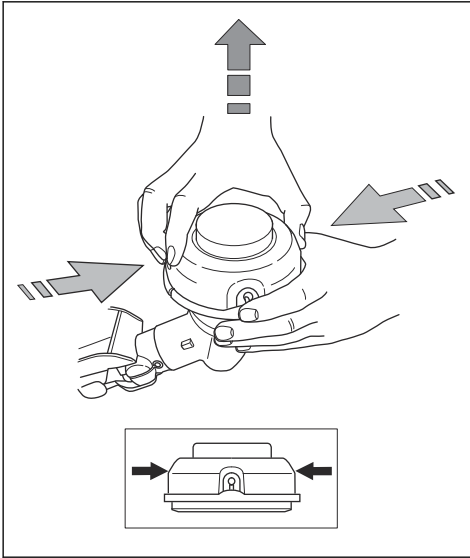
The airflow from the rotating trimmer line can be used to remove cut grass from an area.

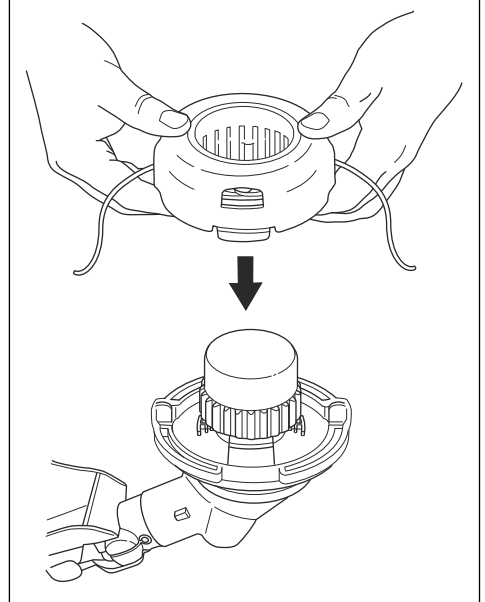
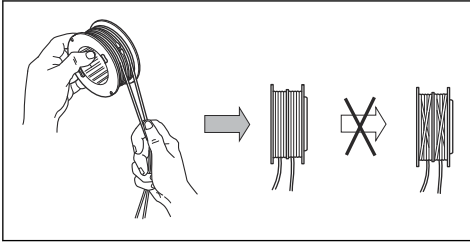
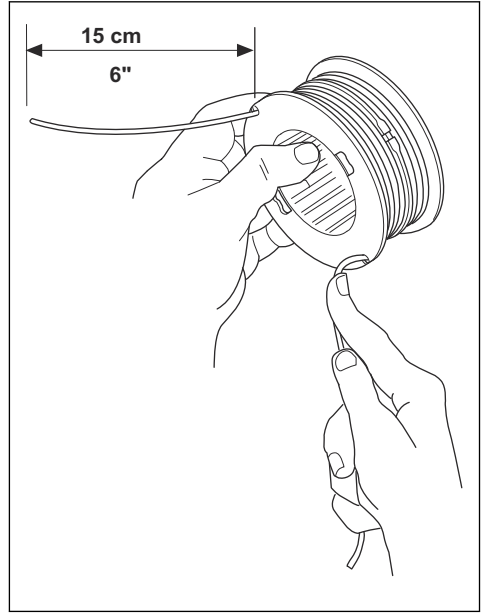
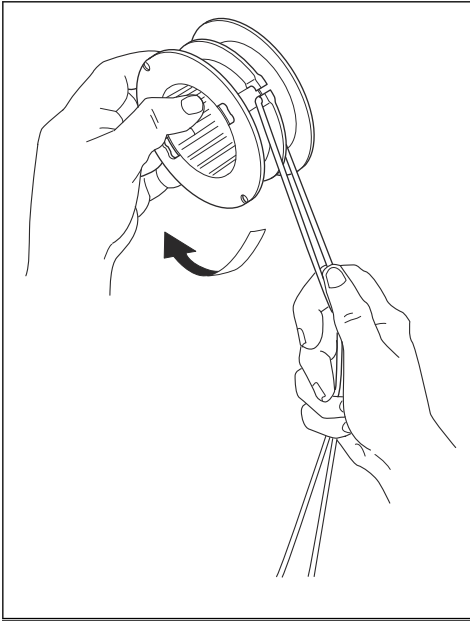
1. Hold the trimmer head and the trimmer line parallel to the ground and above the ground.
2. Apply full throttle.
3. Move the trimmer head from side to side and sweep the grass.

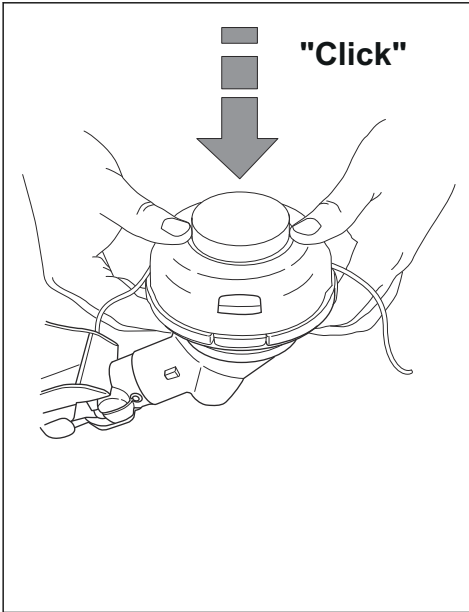


**WARNING:** Clean the trimmer head cover each time you assemble new trimmer line to prevent unbalance and vibrations in the handles. Also do a check of the other parts of the trimmer head and clean it if necessary.

## To replace the trimmer line







## Maintenance

### Introduction



**WARNING:** Read and understand the safety chapter before you do maintenance on the product.



**CAUTION:** To prevent accidental start, remove the spark plug cap from the spark plug before you do maintenance on the product.

### Maintenance schedule

Maintenance	Daily	Weekly	Monthly
Clean the external surface.	X		
Examine the harness for damages.	X		
Do a check for damages on the suspension ring.	X		
Do a check of the throttle trigger lockout and the throttle trigger. Refer to <i>To do a check of the throttle trigger lockout on page 8.</i>	X		
Make sure that the cutting attachment does not rotate at idle speed.	X		
Do a check of the stop switch. Refer to <i>To do a check of the stop switch on page 9.</i>	X		
Examine the cutting attachment guard for damages and cracks.	X		
Make sure that the grass blade is aligned with the center. Make sure that the grass blade is sharp and that the blade or center hole is not damaged.	X		
Examine the trimmer head for damages and cracks. Replace if it is damaged.	X		

Maintenance	Daily	Weekly	Monthly
Examine the handle and handlebar for damage and make sure that they are attached correctly.	X		
For cutting attachments with a support cup, tighten the locking screw fully.	X		
For cutting attachments with a locknut, tighten the locknut fully.	X		
Examine the transport guard for damage and make sure that it can be attached correctly.	X		
Examine the engine, the fuel tank and the fuel lines for leaks.	X		
Clean the air filter. Replace if it is necessary.	X		
Tighten nuts and screws.	X		
Examine the fuel filter for contamination and the fuel hose for cracks and other defects. Replace if it is necessary.	X		
Examine all cables and connections.	X		
Examine the starter and the starter rope for damages.		X	
Examine the vibration damping units for damages and cracks.		X	
Examine the spark plug. Refer to <i>To do a check of the spark plug on page 22.</i>		X	
Clean the cooling system.		X	
Make sure that the bevel gear is filled to $\frac{3}{4}$ with grease.		X	
Clean the external surface of the carburetor and the area around it.		X	
Clean the spark plug. Remove the spark plug and do a check of the electrode gap.		X	
Clean or replace the spark arrester screen on the muffler.		X	
Examine the clutch, clutch springs and the clutch drum for wear. Replace if it is necessary.			X
Replace the spark plug.			X
Lubricate the drive shaft. <sup>1</sup>			X
Make sure that the safety release on the harness is not damaged and operates correctly.			X
Examine and clean the spark arrester screen on the muffler.			X

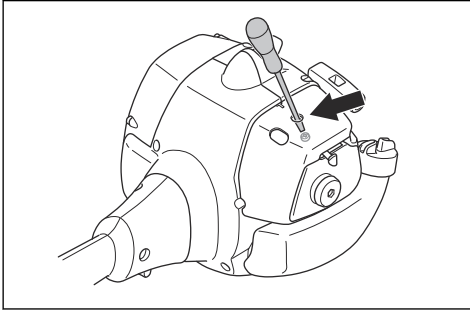
## To adjust the idle speed

Your Husqvarna product is made to specifications that decrease harmful emissions.

1. Make sure that the air filter is clean and that the air filter cover is attached to the product.

<sup>1</sup> At an interval of 6 months.

- Turn the idle speed screw (T) clockwise until the cutting attachment starts to turn.



- Turn the idle speed screw (T) counterclockwise until the cutting attachment stops.

The idle speed is correct when the engine operates smoothly in all positions. The idle speed must be below the speed when the cutting attachment starts to turn.

**Note:** Refer to *Technical data on page 24* for the recommended idle speed.



**WARNING:** If the cutting attachment does not stop when you adjust the idle speed, speak to your servicing dealer. Do not use the product until it is correctly adjusted or repaired.

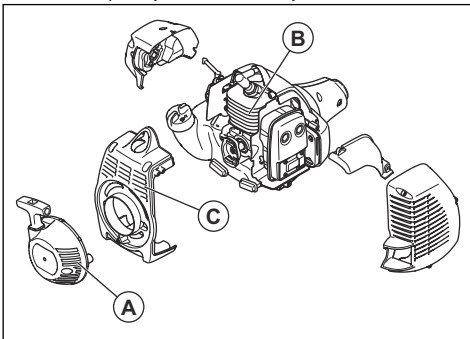
## To clean the cooling system



**CAUTION:** A dirty or blocked cooling system can make the product too hot, which can cause damage to the product.

The parts of the cooling system are the air intake on the starter (A), the cooling fins on the cylinder (B) and the cylinder cover (C).

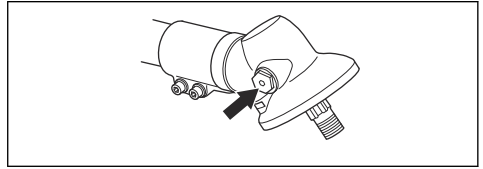
- Clean the cooling system with a brush weekly or more frequently if it is necessary.



- Make sure that the cooling system is not dirty or blocked.

## Bevel gear

The bevel gear is filled with the correct quantity of grease at the factory. Before you use the product, make sure that the bevel gear is 3/4 full of grease. Use Husqvarna special grease.



The grease in the bevel gear is replaced by your servicing dealer.

## Air filter

Remove dust and dirt from the air filter to keep it clean and prevent these problems:

- Carburetor malfunctions.
- Problems when you start the product.
- Loss of engine power.
- Increased wear to engine parts.
- Too much fuel consumption.

### To clean the air filter

- Remove the air filter cover and remove the filter.
- Hit the filter against a flat surface to make the particles fall off.



**CAUTION:** Do not use solvent or compressed air to clean the air filter.

- Put the air filter back. Make sure that the air filter fully seals against the air filter holder.
- Put the air filter cover back.

**Note:** An air filter that is used for a long time cannot be fully cleaned. Replace the air filter at regular intervals. Always replace a damaged air filter.

## To do a check of the spark plug

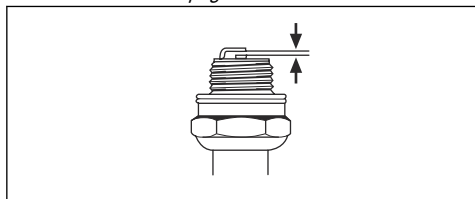


**CAUTION:** Use the recommended spark plug. Refer to *Technical data on page 24*. An incorrect spark plug can cause damage to the product.

- If the product is not easy to start or to operate or if the product operates incorrectly at idle speed, examine the spark plug for unwanted materials. To decrease the risk of unwanted material on the spark plug electrodes, do these steps:
  - make sure that the idle speed is correctly adjusted.
  - make sure that the fuel mixture is correct.

- c) make sure that the air filter is clean.
- 2. Clean the spark plug if it is dirty.
- 3. Make sure that the electrode gap is correct. Refer to, *Technical data on page 24.*

- 4. Replace the spark plug monthly or more frequently if necessary.



## Troubleshooting

### The engine starts but stops again

Product part to examine	Possible cause	Action
Fuel tank	Incorrect fuel type.	Drain the fuel tank and fill with correct fuel.
Carburetor	The idle speed is not correct.	Speak to your servicing dealer.
Air filter	Clogged air filter.	Clean or replace the air filter.
Fuel filter	Clogged fuel filter.	Replace the fuel filter.

### The engine does not start

Check	Possible cause	Procedure
Stop switch.	The stop switch is in the stop position.	Set the stop switch to the start position.
Starter pawls.	The starter pawls cannot move freely.	Remove the starter cover and clean around the starter pawls.
		Let an approved service agent help you.
Fuel tank.	Incorrect fuel type.	Drain the fuel tank and fill with correct fuel.
Spark plug.	The spark plug is dirty or wet.	Make sure that the spark plug is dry and clean.
	The spark plug electrode gap is incorrect.	Clean the spark plug. Make sure that the electrode gap is correct. Make sure that the spark plug has a suppressor.
		Refer to technical data for correct electrode gap.
	The spark plug is loose.	Tighten the spark plug.

---

## Transportation and storage

---

- For storage and transportation of the product and fuel, make sure that there are no leaks or fumes. Sparks or open flames, for example from electrical devices or boilers, can start a fire.
- Always use approved containers for storage and transportation of fuel.
- Empty the fuel tank before transportation or long-term storage. Discard the fuel at an applicable disposal location.
- Use the transportation guard on the product to prevent injuries or damage to the product. A blade that does not move can also cause serious injuries.
- Remove the spark plug cap from the spark plug.
- Attach the product safely during transportation.

---

## Technical data

---

### Technical data

	<b>128LX, LT28CSHV</b>
<b>Engine</b>	
Cylinder displacement, cu.in/cm <sup>3</sup>	1.7/28
Idle speed, rpm	2300–3200
Recommended max. speed, rpm	8000
Maximum engine power acc. to ISO 8893, kW/hp @ rpm	0.7/0.94 @ 8000
Catalytic converter muffler	Yes
Maximum output shaft rotation	7200
<b>Ignition system<sup>2</sup></b>	
Spark plug	Champion RCJ 8Y
Electrode gap, in./mm	0.024/0.6
<b>Fuel and lubrication system</b>	
Fuel tank capacity, US pint/l	0.85/0.4
<b>Weight</b>	
Weight, lb/kg	11.0/5.0

---

## Accessories

---

### Accessories

Approved accessories	Accessory type	Cutting attachment guard, art. no.
Center hole in blades/cutters, Ø 25.4 mm		

<sup>2</sup> This spark ignition system complies with the Canadian ICES-002 standard.



Approved accessories	Accessory type	Cutting attachment guard, art. no.
Output shaft thread M10 LH		
Grass blade/grass cutter	Multi 255-4 (Ø 255 4 teeth)	580 44 66-06
Trimmer head	T25 (Ø 2.4 mm cord)	580 44 66-06
Support cup	503 89 01-01	N/A

---

## Contenido

---

Introducción.....	26	Solución de problemas.....	48
Seguridad.....	29	Transporte y almacenamiento.....	49
Montaje.....	36	Datos técnicos.....	49
Funcionamiento.....	38	Accesorios.....	50
Mantenimiento.....	45		

---

## Introducción

---

### Descripción del producto

El producto es una recortadora de césped con un motor de combustión.

Se realiza un trabajo constante para aumentar su seguridad y la eficiencia durante la operación. Póngase en contacto con su taller de servicio para obtener más información.

### Uso previsto

Utilice el producto con una hoja para hierba o un cabezal de corte para césped. No utilice el producto

para otras tareas que no sean cortar y desbrozar césped.

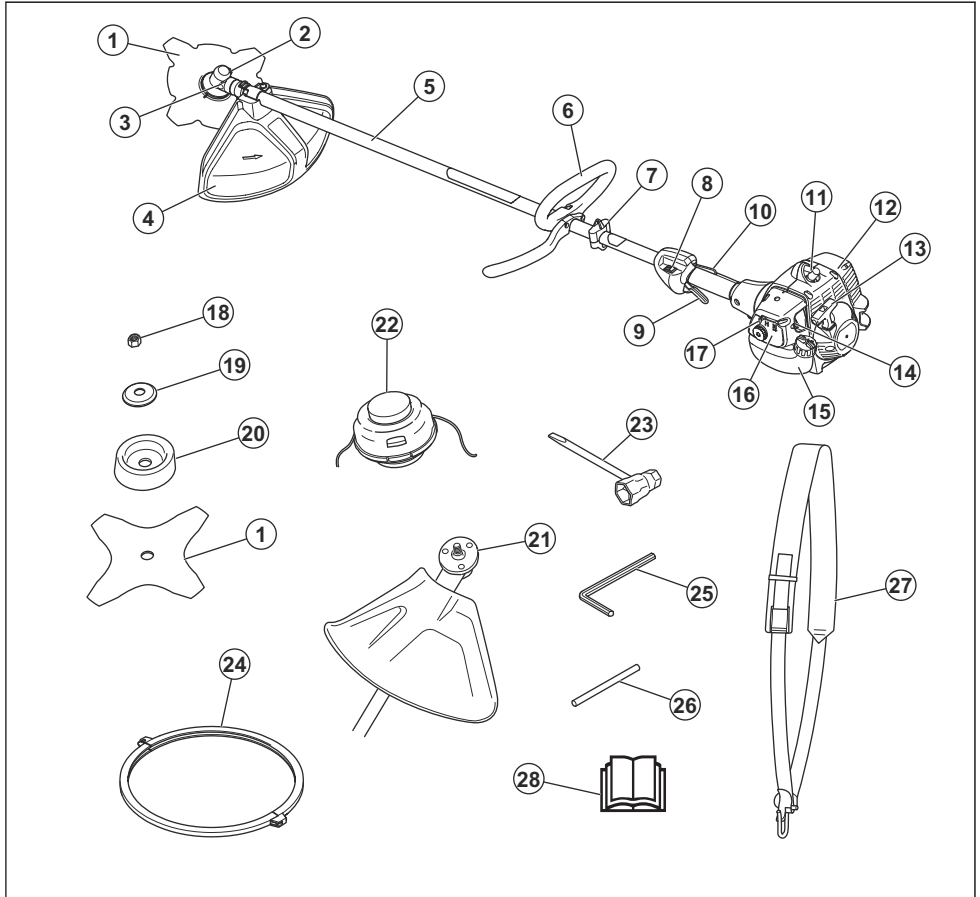
---

**Tenga en cuenta:** Las normativas nacionales o locales pueden establecer límites para el funcionamiento del producto.

---

Utilice el producto solo con accesorios aprobados por el fabricante. Consulte *Accesorios en la página 50*.

## Descripción general del producto



1. Hoja para hierba
2. Tapón de llenado de grasa
3. Engranaje angulado
4. Protección del equipo de corte
5. Eje
6. Mango en J
7. Abrazadera de arnés
8. Interruptor de detención
9. Acelerador
10. Bloqueo del acelerador
11. Sombrero de bujía y bujía
12. Cubierta del cilindro
13. Empuñadura de la cuerda de arranque
14. Bulbo de la purga de aire
15. Depósito de combustible
16. Cubierta del filtro de aire

17. Estrangulador
18. Contratuerca
19. Brida de apoyo
20. Cazoleta de apoyo
21. Disco de arrastre
22. Cabezal de corte
23. Llave combinada
24. Protección para transporte
25. Llave hexagonal
26. Pasador de bloqueo
27. Arnés
28. Manual del usuario

## Símbolos en el producto



**ADVERTENCIA:** Tenga cuidado y utilice el producto correctamente. Este producto puede causar daños graves o fatales al operador o a otras personas.



Lea atentamente el manual de instrucciones y asegúrese de que entiende las instrucciones antes de usar el producto.



Use protección auricular aprobada. Use protección ocular aprobada.



Utilice guantes protectores aprobados durante el funcionamiento y mantenimiento. Utilice botas o zapatos de protección con suelas antideslizantes. Utilice ropa de tejido resistente y que lo cubra por completo.



Si tiene el cabello largo, asegúrese de amarrarlo sobre sus hombros.



El producto puede provocar que los objetos salgan expulsados, lo que puede causar lesiones.



Régimen máximo del eje de salida.



Manténgase a un mínimo de 15 m/50 ft de distancia de las personas y los animales durante el funcionamiento del producto.



Existe riesgo de lanzada de la hoja si el equipo de corte entra en contacto con un objeto que no se corta inmediatamente. El producto puede cortar partes del cuerpo. Manténgase a un mínimo de 15 m/50 ft de distancia de las personas y los animales mientras funcione el producto.



Las flechas muestran el límite de la posición del mango.



Bulbo de la purga de aire.



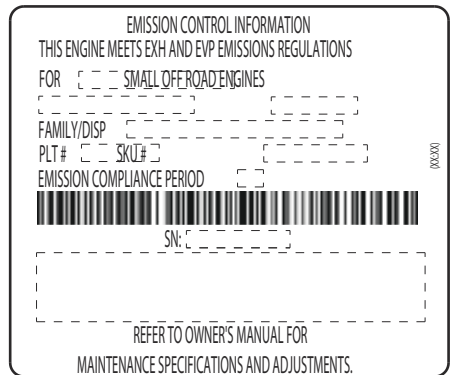
Estrangulador.

**aaaassxxxx**

La placa de características muestra el número de serie. **aaaa** es el año de producción y **ss** es la semana de producción.

**Tenga en cuenta:** Otros símbolos o etiquetas del producto hacen referencia a requisitos de certificación para otras zonas comerciales.

## EPA III



El Período de cumplimiento de emisiones al que se hace referencia en la etiqueta de Cumplimiento de emisiones indica la cantidad de horas de funcionamiento en la que se ha demostrado que el motor cumple los requisitos de emisiones federales y de California.

## ABREVIATURAS DE LA ETIQUETA DE CONTROL DE EMISIONES

Información general		Sistemas de control de emisiones de escape		Sistemas de control de emisiones por evaporación	
ECS	Sistema de control de emisiones	ECM	Módulo de control del motor (afinación automática)	C	Coextrusionado (multi-capas)
EXH/EVP	Escape y evaporación	EM	Modificación del motor	N	Nailon

ABREVIATURAS DE LA ETIQUETA DE CONTROL DE EMISIONES					
Información general		Sistemas de control de emisiones de escape		Sistemas de control de emisiones por evaporación	
HRS	Horas	OC	Catalizador oxidante	P	HDPE o PE tratados
REGS	Reglamentos	TWC	Catalizador de tres vías	S	Sellado
SORE	Motores todoterreno pequeños				
US EPA	Agencia de Protección Ambiental de Estados Unidos				
CAL	California				
EVAP	Evaporación				
DISPL	Desplazamiento				

## Propuesta 65 de California

**! ADVERTENCIA!**

Los gases de escape del motor de este producto contienen sustancias químicas conocidas en el Estado de California como causantes de cáncer, defectos congénitos y otros daños reproductivos.

## Responsabilidad del fabricante

Como se menciona en las leyes de responsabilidad del fabricante, no nos hacemos responsables de los daños que cause nuestro producto si:

- el producto se repara incorrectamente
- el producto se repara con piezas que no son del fabricante o que este no autoriza
- el producto tiene un accesorio que no es del fabricante o que este no autoriza
- el producto no se repara en un centro de servicio autorizado o por una autoridad aprobada.

## Seguridad

### Definiciones de seguridad

Las advertencias, precauciones y notas se utilizan para señalar las piezas particularmente importantes del manual.



**ADVERTENCIA:** Se utilizan para señalar el riesgo de lesiones graves o mortales para el operador o para aquellos que se encuentren cerca si no se siguen las instrucciones del manual.



**AVISO:** Se utilizan para señalar el riesgo de dañar la máquina, otros materiales o el área adyacente si no se siguen las instrucciones del manual.

**Tenga en cuenta:** Se utilizan para entregar más información necesaria en situaciones particulares.

### Instrucciones generales de seguridad



**ADVERTENCIA:** Lea atentamente las instrucciones de advertencia siguientes antes de usar el producto.

- Una desbrozadora, un quita arbustos o una recortadora pueden resultar peligrosos si se utilizan de manera inapropiada o incorrecta, ya que pueden causar daños graves o fatales al operador u otras personas. Es muy importante que lea y comprenda el contenido de este manual de usuario.
- Bajo ninguna circunstancia se puede modificar el diseño del producto sin autorización del fabricante. No utilice nunca un producto que ha sido modificado de cualquier modo con respecto a la especificación original y utilice siempre accesorios originales. Las modificaciones o accesorios no autorizados pueden provocar daños personales o la muerte del operador u otras personas.
- El interior del silenciador contiene productos químicos que pueden ser cancerígenos. Evite el

contacto con estos elementos en caso de que se dañe el silenciador.

- En este producto se genera un campo electromagnético durante su funcionamiento. Este campo puede, en determinadas circunstancias, interferir con implantes médicos activos o pasivos. Para reducir el riesgo de lesiones graves o fatales, recomendamos a las personas con implantes médicos consultar a su médico y al fabricante del implante médico antes de usar esta máquina.

## Instrucciones de seguridad para el montaje



**ADVERTENCIA:** Lea atentamente las instrucciones de advertencia siguientes antes de usar el producto.

- Utilice guantes protectores homologados cuando monte el producto y el equipo de corte.
- Retire el sombrerete de bujía de la bujía antes de montar el producto.
- Asegúrese de que el manillar y la protección del equipo de corte correctos están montados antes de utilizar el producto.
- Una protección defectuosa o un equipo de corte incorrecto pueden provocar lesiones. No utilice un equipo de corte sin una protección aprobada.
- Antes de arrancar el producto, conecte correctamente la cubierta del embrague y el eje.
- El disco de arrastre y la brida de apoyo se deben acoplar correctamente en el orificio central del equipo de corte. Un equipo de corte mal colocado puede causar daños o incluso la muerte.
- Fije el arnés al producto para evitar daños al operador o a otras personas.

## Instrucciones de seguridad para el funcionamiento



**ADVERTENCIA:** Lea atentamente las instrucciones de advertencia siguientes antes de usar el producto.

- Nunca utilice un arnés con un sistema de liberación rápida defectuoso. Cuando utilice un quita arbustos, debe estar siempre enganchado firmemente al arnés. De lo contrario no podrá controlar el cepillo de la cortadora de forma segura y esto puede resultar en lesiones hacia usted o hacia otros.
- Siempre sujete el producto con ambas manos. Mantenga el producto al lado derecho de su cuerpo. Mantenga el equipo de corte por debajo de la cintura. Conecte el producto al anillo de suspensión del arnés. Mantenga todas las partes del cuerpo lejos de las superficies calientes. Mantenga todas las partes del cuerpo lejos del equipo de corte giratorio.

- Antes de utilizar el producto, aprenda y comprenda la diferencia entre el desbrozamiento forestal, el desbrozamiento de césped y el corte de césped.
- Nunca utilice un producto que se haya modificado de cualquier modo con respecto a la especificación original.
- Nunca utilice un producto que esté defectuoso. Realice las comprobaciones de seguridad, el mantenimiento y las instrucciones de servicio descritas en este manual. Especialistas capacitados y calificados deben llevar a cabo algunas medidas de mantenimiento y servicio. Consulte *Programa de mantenimiento en la página 45*.
- Utilice equipo de protección personal. Consulte *Equipo de protección personal en la página 32*.
- No utilice el producto en condiciones climáticas desfavorables, como niebla densa, lluvia intensa, vientos fuertes, frío intenso, etc. Trabajar con mal tiempo es agotador y a menudo conlleva más riesgos, como suelo congelado, dirección de derribo impredecible, etc.
- Los únicos accesorios que pueden utilizarse con esta unidad del motor son los equipos de corte que recomendamos. Consulte *Accesorios en la página 50*.
- Esté atento a que no salgan objetos despedidos. Use siempre protección ocular homologada. No se apoye nunca sobre la protección del equipo de corte. Es posible que las piedras, residuos, etc. salgan despedidos en dirección a los ojos y le causen ceguera o lesiones graves.
- Nunca utilice el producto si está cansado o enfermo, si ha bebido alcohol o si consume drogas o medicamentos que puedan afectar la visión, el juicio o la coordinación.
- La exposición prolongada al ruido puede provocar la pérdida permanente de la audición. Use siempre protectores auriculares aprobados.
- Cuando utilice protectores auriculares, esté atento a las señales de advertencia y voces fuertes. Siempre retire sus protectores auriculares cuando se detenga el motor.
- Realice una inspección general del producto antes de utilizar. Consulte *Antes de usar el producto en la página 38*.
- No utilice el producto si se ha modificado o si se encuentra defectuoso.
- Asegúrese de que el sombrerete de bujía y el cable de encendido no se encuentren dañados para evitar el riesgo de sacudida eléctrica.
- Revise el área de trabajo para asegurarse de que no haya personas, animales ni objetos que puedan afectar de manera negativa la seguridad de funcionamiento del producto.
- Revise el área de trabajo para asegurarse de que no haya personas ni animales que toquen el equipo de corte o que puedan resultar golpeados por los objetos que salgan expulsados del equipo de corte.

- Inspeccione la zona de trabajo. Quite todos los objetos sueltos, como piedras, cristales rotos, clavos, alambre de acero, cuerdas, etc., que puedan salir expulsados o enredarse en el equipo de corte.
- No utilice el producto en una situación o lugar en el que no pueda pedir ayuda si se produce un accidente.
- No utilice el producto sin protección.
- Asegúrese de que se mantenga una distancia mínima de 15 m/50' respecto de personas o animales durante el trabajo. Siempre mire hacia atrás antes de dar la vuelta con el producto. Detenga el producto de inmediato si una persona o un animal ingresa a la zona de seguridad de 15 m/ 50'. Si más de un operador trabaja en la misma zona, mantenga una distancia de seguridad mínima de 15 m/50 ft.
- Asegúrese de poder moverse sin problemas y tener una postura segura. Revise el área a su alrededor en busca de obstáculos como raíces, rocas, ramas y zanjas. Tenga cuidado cuando trabaje en pendientes.
- No se estire demasiado. Mantenga los pies en una posición estable y un buen equilibrio en todo momento.
- Antes de arrancar el producto, colóquelo en una superficie plana, a un mínimo de 3 m de la fuente de combustible y de donde se carga el combustible. Asegúrese de que no haya objetos cerca del equipo de corte o que lo toquen.
- Si el equipo de corte gira a régimen de ralentí, solicite a un taller de servicio que lo ajuste. No utilice el producto hasta que se haya ajustado o reparado.
- Esté atento a que no salgan objetos despedidos. Utilice siempre protección ocular aprobada y manténgase alejado de la protección del equipo de corte. Pueden salir expulsados piedras y otros objetos pequeños, caerle en los ojos y provocarle ceguera u otras lesiones.
- No suelte el producto con el motor encendido, a menos que lo tenga a la vista.
- No retire el material de corte, ni deje que otras personas lo hagan, mientras el motor se encuentre encendido o el equipo de corte siga girando, ya que puede provocar daños graves.
- El engranaje angulado puede calentarse durante el uso y es posible que permanezca caliente por un largo tiempo. Si lo toca, puede quemarse.
- Siempre detenga el motor y asegúrese de que el equipo de corte no gire antes de retirar material enrollado en el eje de la hoja o atrapado entre la protección y el equipo de corte. El equipo de corte sigue girando incluso después de soltar el acelerador. Asegúrese de que el equipo de corte se haya detenido completamente y desconecte el sombrerete de la bujía antes de empezar a trabajar en él.
- Tenga cuidado al quitar material alrededor del equipo de corte. El engranaje angulado se calienta durante el funcionamiento y puede provocar quemaduras.
- Los gases de escape del motor están calientes y pueden contener chispas. Riesgo de incendio. Tenga cuidado cuando circule cerca de material seco e inflamable.
- Detenga el motor antes de pasar a una nueva área de trabajo. Siempre coloque la protección para transportes antes de mover el equipo.
- Nunca utilice el producto en un espacio interior o en espacios sin ventilación adecuada. Los gases de escape contienen monóxido de carbono, un gas inodoro, venenoso y altamente peligroso que puede causar la muerte debido a asfixia o envenenamiento por monóxido de carbono.
- Nunca permita que los niños utilicen el producto o que estén cerca de este. Debido a que el producto está equipado con un interruptor de detención que se acciona por resorte y se puede arrancar con baja velocidad y fuerza desde la empuñadura de arranque, incluso niños pequeños pueden, en determinadas circunstancias, lograr la fuerza necesaria para arrancar el producto. Esto puede significar riesgo de daños personales graves. Por consiguiente, saque el sombrerete de bujía cuando no se supervise el producto atentamente.
- La sobreexposición a las vibraciones puede producir trastornos vasculares o daños al sistema nervioso en personas que padecen de problemas de circulación. Comuníquese con su médico si experimenta síntomas de sobreexposición a las vibraciones. Estos síntomas son entumecimiento, pérdida de sensibilidad, hormigueo, ardor, dolor, pérdida de fuerza, cambios en el color o el estado de la piel. Normalmente, estos síntomas se presentan en los dedos, las manos o las muñecas. El riesgo aumenta a bajas temperaturas.
- Verifique que el equipo de corte está correctamente montado y ajustado.
- Si se encuentra en una situación en la que no está seguro de cómo proceder, debe preguntarle a un experto. Póngase en contacto con el distribuidor o el taller de servicio.
- Evite todos los usos que considere que están más allá de su capacidad.
- No utilice el producto a menos que sea capaz de pedir ayuda en caso de accidente.
- El uso incorrecto de un equipo de corte o una hoja mal afilada aumenta el riesgo de una lanzada de hoja.
- Existe la posibilidad de que los productos equipados con hojas para hierba salgan eyectados violentamente hacia un costado cuando la hoja entra en contacto con un objeto fijo. Esto se denomina lanzada de hoja. Una lanzada de hoja puede ser lo suficientemente violenta como para hacer que la máquina o el operador salgan lanzados en cualquier dirección, lo que podría hacer que se pierda el control de la máquina. La lanzada de hoja puede suceder sin previa advertencia si la máquina se

enreda, atasca o enlaza. La lanzada de hoja tiene más probabilidades de ocurrir en áreas donde es difícil ver el material que se corta.

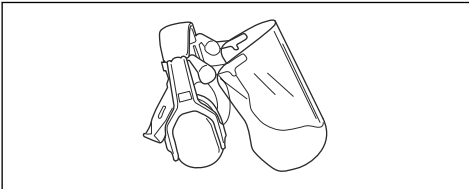
- Evite cortar con la zona de la hoja entre las posiciones de las 12:00 y las 15:00 horas. Debido a la velocidad de rotación de la hoja, puede producirse la lanzada de hoja cuando se intenta ramas gruesas con esta área de la hoja.
- Los silenciadores equipados con catalizadores se calientan mucho durante su uso y permanecen así durante tiempo después de detenerse. Esto también se aplica al régimen de ralentí. Tocar el motor puede quemar su piel. Considere el riesgo de incendio.
- Solo use el equipo de corte con las protecciones que recomendamos. Consulte *Accesorios en la página 50*.

## Equipo de protección personal

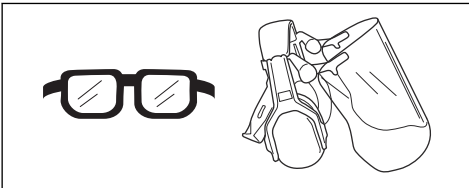


**ADVERTENCIA:** Lea atentamente las instrucciones de advertencia siguientes antes de usar el producto.

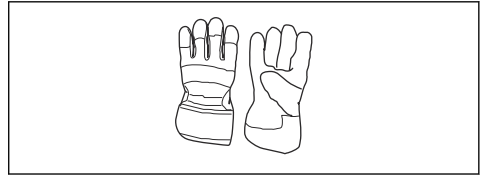
- Utilice siempre el equipo de protección personal adecuado cuando use el producto. El equipo de protección personal no puede impedir el riesgo de lesiones, pero disminuirá el grado de lesión si ocurre un accidente. Permita que su distribuidor lo ayude a seleccionar el equipo correcto.
- Use protección articular aprobada.



- Use protección ocular homologada. Si utiliza un visor, también debe usar gafas protectoras homologadas. Las gafas protectoras homologadas deben cumplir con la norma ANSI Z87.1 de EE. UU. o EN 166 para países de la UE.



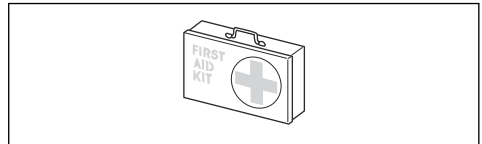
- Utilice guantes cuando sea necesario, por ejemplo, cuando conecte, examine o limpie el equipo de corte.



- Use botas de protección con punta de acero y suelas antideslizantes.



- Utilice ropa de material resistente. Use siempre pantalones largos y gruesos, y mangas largas. Evite usar ropas holgadas que se puedan enganchar con ramas. No utilice joyas, pantalones cortos o sandalias. No esté descalzo. Asegure su cabello por encima del nivel de los hombros.
- Mantenga cerca el equipo de primeros auxilios.



## Dispositivos de seguridad en el producto

Para obtener información sobre dónde encontrar dispositivos de seguridad, consulte *Introducción en la página 26*.



**ADVERTENCIA:** Lea atentamente las instrucciones de advertencia siguientes antes de usar el producto.

- No utilice un producto con dispositivos de seguridad defectuosos. Revise los dispositivos de seguridad y realícelos mantenimiento de forma regular. Si los dispositivos de seguridad están defectuosos, comuníquese con su taller de servicio Husqvarna.
- No realice ninguna modificación en los dispositivos de seguridad. No utilice el producto si las cubiertas protectoras, los interruptores de seguridad u otros dispositivos protectores no están montados o están defectuosos.
- Para todos los trabajos de servicio y reparación del producto, especialmente para los dispositivos de seguridad, se requiere una capacitación especial. Si los dispositivos de seguridad no cumplen con las condiciones indicadas en el presente manual de usuario, solicite asistencia a un taller de servicio. Garantizamos la disponibilidad de reparaciones y

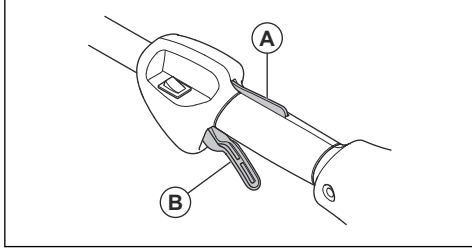


servicios profesionales. Si el concesionario no cuenta con un taller de servicio, pídale información acerca del taller de servicio más cercano.

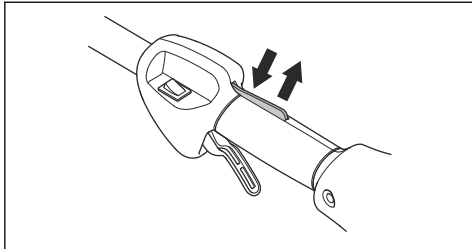
- No utilice un equipo de corte sin una protección para equipo de corte aprobada y correctamente acoplada. Consulte *Accesorios en la página 50*.

### Comprobación del fiador del acelerador

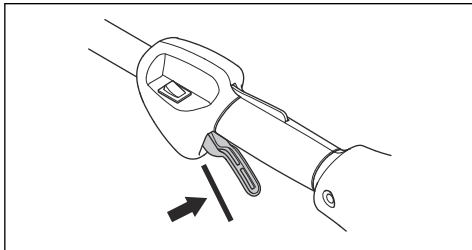
1. Asegúrese de que el bloqueo del acelerador (A) y el acelerador (B) se muevan libremente y que el muelle de retorno funcione de manera correcta.



2. Presione el bloqueo del acelerador hacia abajo y asegúrese de que vuelva a su posición inicial cuando lo suelte.



3. Asegúrese de que el acelerador esté bloqueado en la posición de ralentí cuando el bloqueo del acelerador esté liberado.



4. Encienda el producto y aplique la aceleración máxima.
5. Suelte el acelerador y asegúrese de que las hojas se detengan y permanezcan inmóviles.

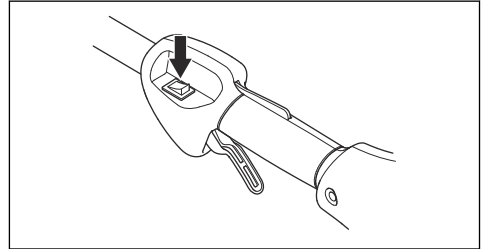


**ADVERTENCIA:** Si las hojas se mueven cuando el acelerador está en la posición de ralentí, se debe ajustar el régimen de ralentí del carburador. Consulte *Para*

*ajustar el régimen de ralentí en la página 47.*

### Para comprobar el interruptor de detención

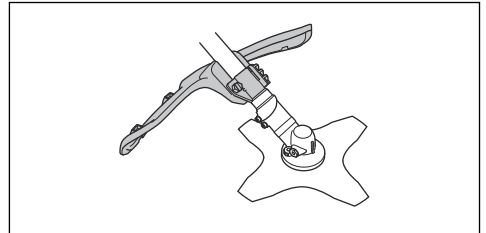
1. Arranque el motor.
2. Mueva el interruptor de detención a la posición de detención y asegúrese de que el motor se detenga.



### Comprobación de la protección del equipo de corte

La protección del equipo de corte evita lesiones y detiene los objetos sueltos que salen expulsados en dirección al usuario.

1. Detenga el motor.
2. Realice una comprobación visual para determinar si existen daños, por ejemplo, grietas.



3. Reemplace la protección del equipo de corte si está dañada.

### Para ajustar el arnés

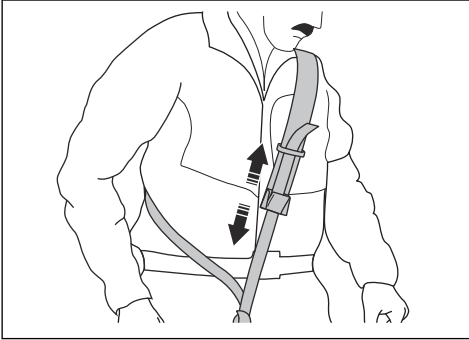
Use siempre el arnés cuando utilice el producto. El arnés permite el máximo nivel de control durante el funcionamiento del producto. El arnés disminuye el riesgo de cansancio en brazos y espalda.



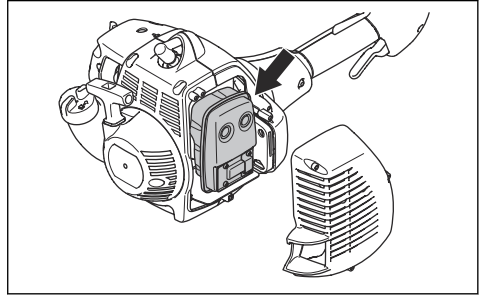
**ADVERTENCIA:** No utilice un arnés defectuoso.

1. Verifique el arnés en busca de daños y desgaste. Sustituya siempre un arnés dañado.
2. Colóquese el arnés.

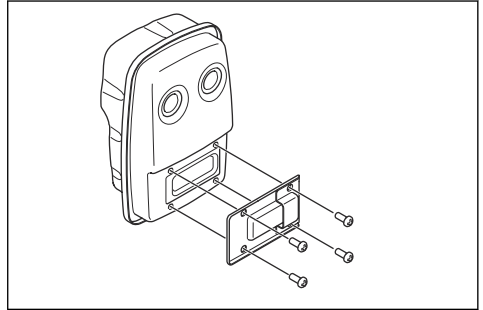
3. Ajuste la longitud del arnés hasta que el gancho de sujeción esté aproximadamente al nivel de su cadera derecha.



3. Asegúrese de que el silenciador esté correctamente unido al producto.



4. Realice una inspección visual de la rejilla apagachispas.



- a) Cambie la rejilla apagachispas si está dañada.  
b) Limpie la rejilla apagachispas si está bloqueada.



**AVISO:** Si se bloquea la rejilla apagachispas, el producto se sobrecalienta y esto provoca daños al cilindro y al pistón.

#### Para revisar el silenciador



**ADVERTENCIA:** No utilice un producto que tenga un silenciador defectuoso.



**ADVERTENCIA:** No utilice el producto si falta la rejilla apagachispas en el silenciador o si está defectuosa.



**ADVERTENCIA:** El silenciador se calienta mucho durante el funcionamiento y después de este, así como en el régimen de ralentí. Utilice guantes protectores para evitar quemaduras.

El silenciador mantiene los niveles de ruido al mínimo y dirige los gases de escape lejos del operador.

1. Detenga el motor.
2. Verifique el silenciador en busca de daños y defectos.



**ADVERTENCIA:** Las superficies internas del silenciador contienen químicos que pueden causar cáncer. Tenga cuidado de no tocar estos elementos si el silenciador presenta daños.

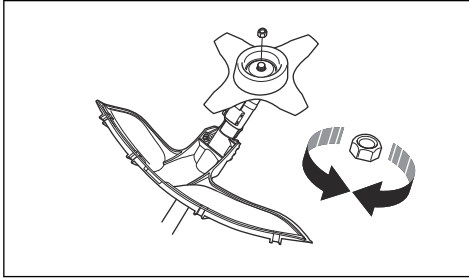


**ADVERTENCIA:** Pare el motor, utilice guantes protectores y tenga cuidado alrededor de los bordes afilados del equipo de corte.

#### Instalación y extracción de la contratuerca

Se utiliza una contratuerca para montar algunos tipos de equipos de corte. La contratuerca tiene un enrosque hacia la izquierda.

- Para instalar la contratuerca, gírela en sentido opuesto al de rotación.



- Para quitar la contratuerca, retírela en el sentido de rotación.
- Para aflojar o apretar la contratuerca, utilice una llave de cubo con eje largo.



**ADVERTENCIA:** Cuando se afloja y se aprieta la contratuerca, existe el riesgo de lesionarse con el equipo de corte. Tenga cuidado y no toque el equipo de corte.

**Tenga en cuenta:** Asegúrese de que no poder girar la contratuerca con la mano. Sustituya la contratuerca después de haberla puesto aproximadamente 10 veces. La contratuerca se debe sustituir después de haberla apretado unas 10 veces.

### Equipo de corte



**ADVERTENCIA:** Lea atentamente las instrucciones de advertencia siguientes antes de usar el producto.

- Realice el mantenimiento periódico. Permita que un centro de servicio autorizado examine frecuentemente el equipo de corte para realizar ajustes o reparaciones.
  - El rendimiento del equipo de corte aumenta.
  - La vida útil del equipo de corte aumenta.
  - Disminuye el riesgo de accidentes.
- Solamente utilice una protección aprobada para el equipo de corte. Consulte *Accesorios en la página 50*.
- No utilice un equipo de corte dañado.

### Cabezal de corte para hierba

- Asegúrese de enrollar el hilo de la recortadora de césped firme y equitativamente alrededor del tambor para disminuir la vibración.
- Utilice solamente cabezales e hilos de corte para hierba aprobados. Consulte *Para recortar el césped en la página 41*.
- Utilice una longitud correcta de hilo para la recortadora. Un hilo largo para la recortadora utiliza más potencia del motor que un hilo corto.

- Asegúrese de que la cortadora en la protección del equipo de corte no está dañada.
- Empape el hilo de la recortadora de césped en agua durante 2 días antes de conectarlo al producto. Esto aumenta la vida útil del hilo de la recortadora de césped.
- Consulte las instrucciones del equipo de corte para usar el procedimiento adecuado para cargar el hilo de la recortadora y su diámetro adecuado.

### Hoja para hierba

- Utilice hojas correctamente afiladas. Una hoja mal afilada o dañada aumenta el riesgo de lesiones. Consulte las instrucciones del empaque de la hoja.
- Utilice hojas ajustadas correctamente. Una hoja mal ajustada aumenta el riesgo de lesiones y daños.

### Seguridad de combustible



**ADVERTENCIA:** Lea atentamente las instrucciones de advertencia siguientes antes de usar el producto.

- No mezcle el combustible en interiores o cerca de una fuente de calor.
- No arranque el producto si hay combustible o aceite de motor en el producto. Quite el combustible o aceite no deseado y deje secar el producto. Quite el combustible no deseado del producto.
- Si derrama combustible en su ropa, cámbiese la ropa inmediatamente.
- No permita que le caiga combustible en el cuerpo, ya que puede causar lesiones. Si le cae combustible en el cuerpo, utilice jabón y agua para quitarlo.
- No arranque el motor si derrama aceite o combustible en el producto o en su cuerpo.
- No arranque el producto si el motor tiene una fuga. Examine frecuentemente el motor en busca de fugas.
- Tenga cuidado con el combustible. El combustible es inflamable y los gases son explosivos y pueden causar lesiones graves o fatales.
- No respire los gases del combustible, ya que pueden causar lesiones. Asegúrese de que haya suficiente flujo de aire.
- No fume cerca del combustible o del motor.
- No coloque objetos calientes cerca del combustible o del motor.
- No agregue combustible cuando el motor esté en marcha.
- Asegúrese de que el motor se enfríe antes de llenar el depósito de combustible.
- Antes de llenar el depósito de combustible, abra lentamente la tapa del depósito de combustible y libere la presión con cuidado.
- Asegúrese de que haya suficiente flujo de aire cuando recargue y mezcle combustible (gasolina y aceite para motores de dos tiempos) o cuando vacíe el depósito de combustible.

- El combustible y sus gases son altamente inflamables y pueden causar lesiones graves si se inhalan o entran en contacto con la piel. Por esta razón, tenga precaución al manipular el combustible y asegúrese de que haya suficiente ventilación.
- Apriete la tapa del depósito de combustible con cuidado para evitar incendios.
- Mueva el producto a un mínimo de 3 m (10 pies) de la posición en la que se llenó el depósito antes de empezar.
- No ponga demasiado combustible en el depósito de combustible.
- Asegúrese de que no se puedan provocar fugas cuando mueva el producto o el recipiente de combustible.
- No coloque el producto ni un recipiente de combustible donde haya una llama expuesta, una chispa o una fuente de calor. Asegúrese de que no haya una llama expuesta en el área de almacenamiento.
- Utilice solamente contenedores aprobados cuando mueva el combustible o coloque el combustible en el almacenamiento.
- Vacíe el depósito de combustible antes de un almacenamiento a largo plazo. Cumpla con las leyes locales en cuanto al lugar en dónde se puede deshacer del combustible.
- Limpie el producto antes de un almacenamiento a largo plazo.
- Retire el sombrerete de bujía antes de almacenar el producto para asegurarse de que el motor no arranque accidentalmente.
- Detenga el motor, asegúrese de que el equipo de corte se detenga y deje que se enfríe antes de realizar el mantenimiento.
- Desconecte el sombrerete de bujía antes de realizar el mantenimiento.
- Los gases de escape del motor contienen monóxido de carbono, un gas inodoro, tóxico y muy peligroso que puede causar la muerte. No arranque el producto en interiores o en espacios cerrados.
- Los gases de escape del motor están calientes y pueden contener chispas. No encienda el producto en interiores ni cerca de materiales inflamables.
- Accesorios y modificaciones en el producto que no estén aprobados por el fabricante pueden causar lesiones graves o la muerte. No modifique el producto. Siempre utilice accesorios originales.
- Si el mantenimiento no se realiza de manera correcta y regular, aumenta el riesgo de que se produzcan lesiones y que el producto se dañe.
- Solo realice mantenimiento según lo que se indica en este manual de usuario. Solicite que un Husqvarna taller de servicio realice todos los otros servicios.
- Permita que un taller de servicio Husqvarna aprobado realice trabajos de mantenimiento en el producto con regularidad.
- Cambie las piezas dañadas, desgastadas o rotas.

## Instrucciones de seguridad para el mantenimiento



**ADVERTENCIA:** Lea atentamente las instrucciones de advertencia siguientes antes de usar el producto.

## Montaje

### Introducción



**ADVERTENCIA:** Antes de montar el producto, debe leer y entender el contenido del capítulo sobre seguridad.



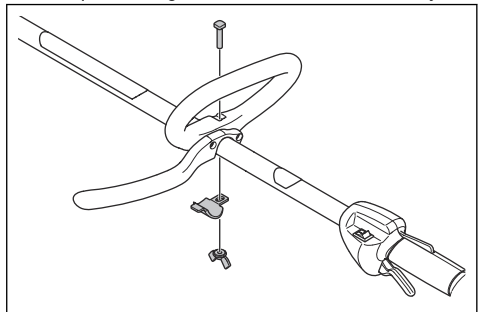
**ADVERTENCIA:** Retire el cable de la bujía de la bujía antes de montar el producto.

### Para instalar el mango en J



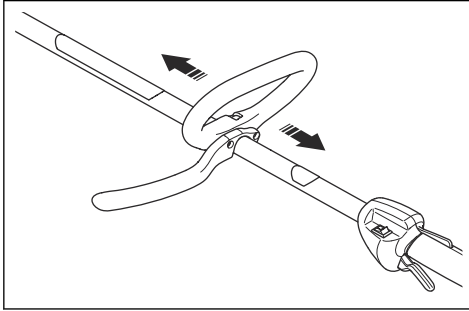
**ADVERTENCIA:** Utilice únicamente hojas para hierba o cabezales de corte con el mango en J.

1. Coloque el mango en J entre las 2 flechas del eje.



2. Instale el tornillo, la placa y la tuerca de mariposa.

3. Ajuste el mango en J en una buena posición de trabajo.



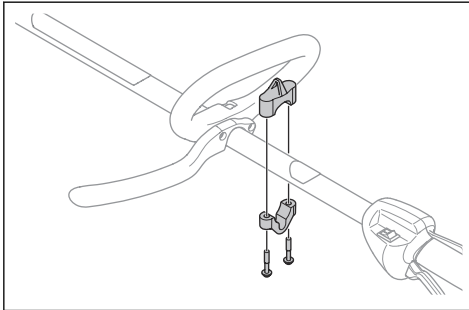
4. Apriete completamente la tuerca de mariposa.

### Para instalar la abrazadera del arnés



**ADVERTENCIA:** El arnés debe estar fijado de forma segura a la abrazadera del arnés cuando utilice el producto.

1. Coloque las 2 mitades de la abrazadera del arnés en el eje y alinee los orificios de los tornillos.



2. Instale los 2 tornillos.
3. Ajuste la abrazadera del arnés a la posición correcta encima de la flecha.
4. Apriete completamente los 2 tornillos.

### Para montar el equipo de corte

El equipo de corte incluye otro equipo de corte y una protección para este equipo de corte.



**ADVERTENCIA:** Use guantes protectores.



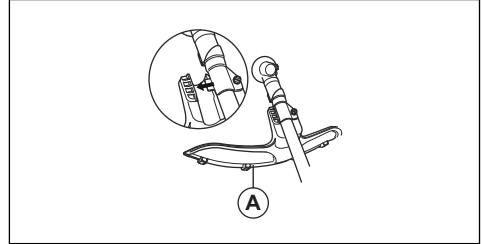
**ADVERTENCIA:** Utilice siempre la protección del equipo de corte recomendada para el equipo de corte. Consulte *Accesorios en la página 50*.



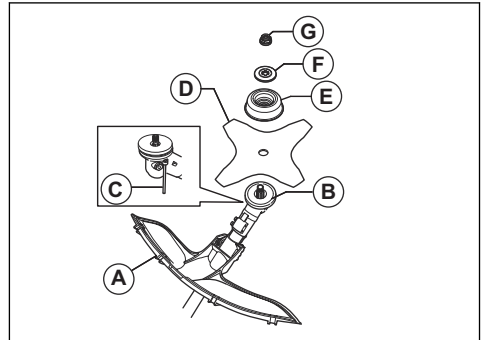
**ADVERTENCIA:** Un equipo de corte mal colocado puede provocar lesiones o incluso la muerte.

### Para instalar la protección del equipo de corte y la hoja para hierba

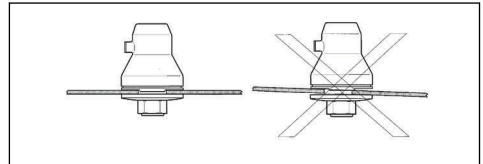
1. Coloque la protección del equipo de corte (A) en el eje y apriete el perno.



2. Gire el eje de salida hasta que uno de los orificios en el disco de arrastre (B) se alinee con el orificio correspondiente en la caja de engranajes.
3. Coloque el pasador de bloqueo (C) en el orificio para bloquear el eje.
4. Coloque la hoja para hierba (D), la cazoleta de apoyo (E) y la brida de apoyo (F) en el eje de salida.

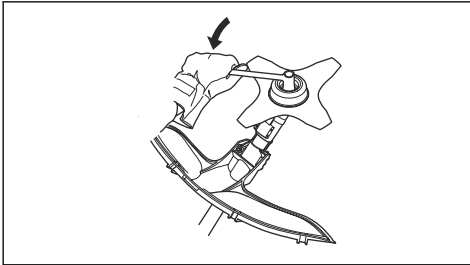


5. Asegúrese de que el disco de arrastre y la brida de apoyo se fijen correctamente en el centro del orificio de la hoja para hierba.



6. Coloque la tuerca (G).

7. Apriete la tuerca con la llave de cubo. Sostenga el eje de la llave de cubo cerca de la protección del equipo de corte. Apriete en la dirección opuesta a la que gira el accesorio de corte. Apriete la tuerca a 35-50 Nm.

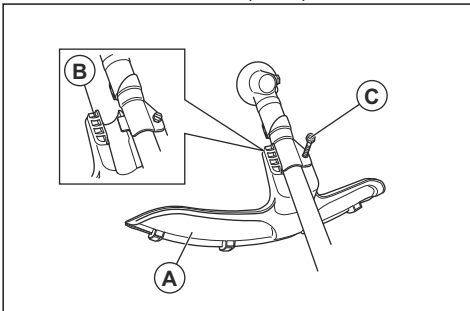


### Para instalar la protección del equipo de corte y el cabezal de corte

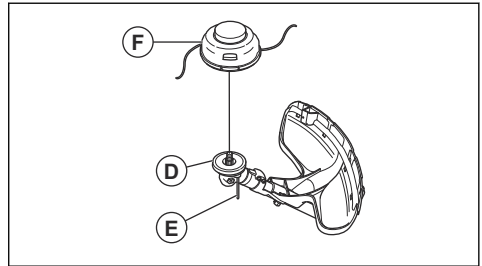


**AVISO:** Asegúrese de que la extensión de la protección esté instalada.

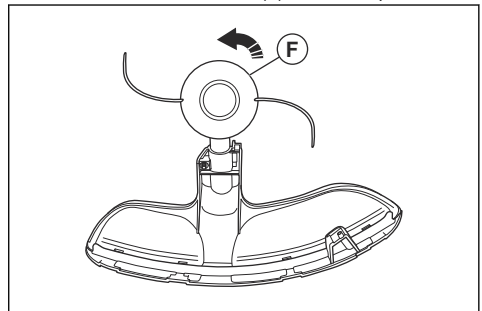
1. Instale la protección del equipo de corte (A) destinada al funcionamiento con el cabezal de corte.
2. Cuelgue la protección del equipo de corte en los 2 ganchos del soporte de la placa (B).
3. Doble la protección del equipo de corte alrededor del eje y apriete el tornillo (C) en el lado opuesto del eje. Utilice la llave combinada para apretar el tornillo.



4. Instale el disco de arrastre (D) en el eje de salida.



5. Gire el eje de salida hasta que uno de los orificios en el disco de arrastre se alinee con el orificio correspondiente en la caja de engranajes.
6. Coloque el pasador de bloqueo (E) en el orificio para bloquear el eje.
7. Instale el cabezal de corte (F) hacia la izquierda.



8. Para retirar el cabezal de corte y la protección del equipo de corte, siga las instrucciones en el orden opuesto.

## Funcionamiento

### Introducción



**ADVERTENCIA:** Antes de utilizar el producto, debe leer y entender el capítulo sobre seguridad.

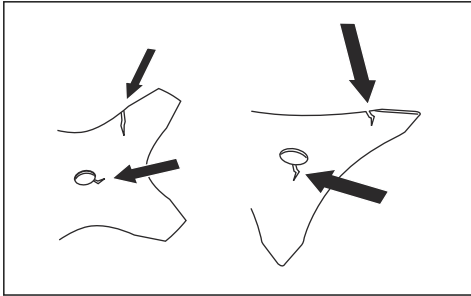
### Antes de usar el producto

- Inspeccione el área de trabajo para asegurarse de que conoce el tipo de terreno, la pendiente del

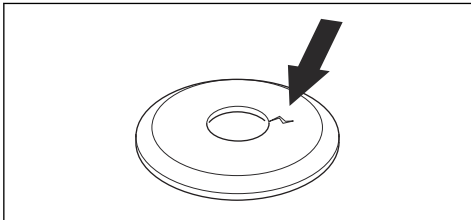
terreno y para notar la presencia de obstáculos como piedras, ramas y zanjas.

- Realice una inspección de reacondicionamiento del producto.
- Haga las inspecciones de seguridad, mantenimiento y servicio que figuran en este manual.
- Asegúrese de que todas las cubiertas, las protecciones, las manijas y el equipo de corte estén fijados correctamente y que no presenten daños.
- Asegúrese de que no haya grietas en la parte inferior de los dientes de la hoja para hierba ni junto

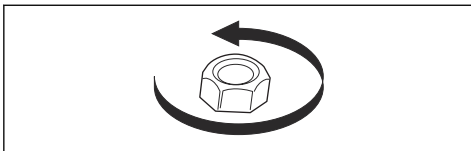
al orificio central de la hoja. Reemplace la hoja si está dañada.



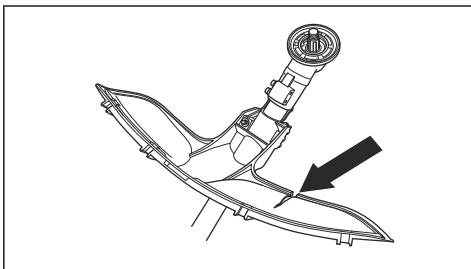
- Inspeccione la brida de apoyo en busca de grietas. Reemplace la brida de apoyo si está dañada.



- Asegúrese de que la contratuerca no se pueda retirar manualmente. Si puede quitarla de forma manual, no bloquea correctamente el equipo de corte y se debe reemplazar.

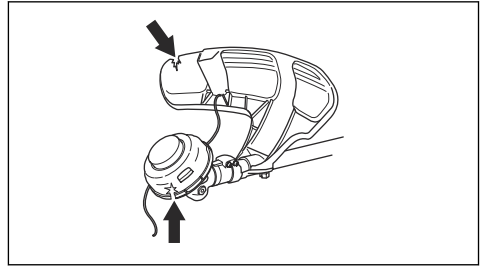


- Inspeccione la protección de la hoja para determinar si presenta daños o grietas. Reemplace la hoja o la protección de la hoja si han sido expuestas a golpes o están agrietadas.



- Inspeccione el cabezal de corte y la protección del equipo de corte para determinar si presentan daños o grietas. Reemplace el cabezal de corte y el

accesorio de corte si recibieron golpes o presentan grietas.



## Combustible

Este producto tiene un motor de dos tiempos.



**AVISO:** Usar el tipo incorrecto de combustible puede causar daños en el motor. Utilice una mezcla de gasolina y de aceite para motores de dos tiempos.

## Combustible premezclado

- Utilice combustible de alquilate premezclado Husqvarna para obtener el mejor rendimiento y prolongar la vida útil del motor. Este combustible contiene menos químicos dañinos en comparación con el combustible normal, lo cual disminuye los gases de escape dañinos. La cantidad de restos después de la combustión es menor con este combustible, que mantiene más limpios los componentes del motor.

## Para mezclar combustible

### Gasolina

- Utilice gasolina sin plomo de buena calidad con un contenido máximo de un 10 % de etanol.



**AVISO:** No utilice gasolina con un octanaje inferior a 90 RON/87 AKI. El uso de gasolina de octanaje inferior puede causar el golpeteo del motor, lo que provoca daños en el motor.

## Aceite para motores de dos tiempos

- Para obtener los mejores resultados y el mejor rendimiento, utilice aceite para motores de dos tiempos Husqvarna.
- Si el aceite para motores de dos tiempos Husqvarna no está disponible, utilice un aceite para motores de dos tiempos de buena calidad para motores enfriados por aire. Contáctese con su concesionario de servicio para seleccionar el aceite correcto.



**AVISO:** No utilice aceite para motores de dos tiempos para motores fueraborda refrigerados por agua, también conocido

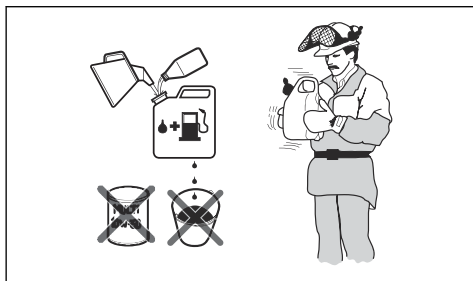
como aceite para fueraborda. No utilice aceite para motores de cuatro tiempos.

### Para mezclar gasolina y aceite para motores de dos tiempos

Gasolina, litros	Aceite para motores de dos tiempos, litro
	<b>2 % (50:1)</b>
5	0,10
10	0,20
15	0,30
20	0,40
Galón estadounidense	Onza líquida EE. UU.
1	2 ½
2 1/2	6 ½
5	12 ¾



**AVISO:** Los errores pequeños pueden influir drásticamente en la proporción de la mezcla cuando se mezclan cantidades pequeñas de combustible. Mida cuidadosamente la cantidad de aceite y asegúrese de obtener la mezcla correcta.



1. Llene la mitad de la cantidad de gasolina en un recipiente limpio para combustible.
2. Agregue la cantidad total de aceite.
3. Agite la mezcla de combustible.
4. Agregue la cantidad restante de gasolina al recipiente.
5. Agite cuidadosamente la mezcla de combustible.



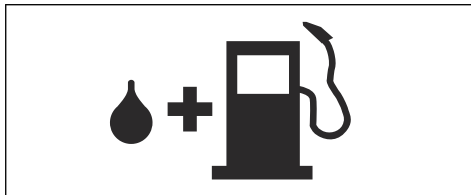
**AVISO:** No mezcle el combustible durante más de 1 mes cada vez.

### Para llenar el depósito de combustible



**ADVERTENCIA:** Para su seguridad, siga el procedimiento que se indica a continuación.

1. Detenga el motor y deje que se enfríe.
2. Limpie el área alrededor del tapón del depósito de combustible.



3. Agite el recipiente y asegúrese de que el combustible esté totalmente mezclado.
4. Retire lentamente la tapa del depósito de combustible para liberar la presión.
5. Llene el depósito de combustible.



**AVISO:** Asegúrese de que el depósito de combustible no esté demasiado lleno. El combustible se expande cuando se calienta.

6. Apriete bien la tapa del depósito de combustible cuidadosamente.
7. Limpie los derrames de combustible en el producto y los alrededores.
8. Antes de arrancarlo, aleje el producto 3 m/10' o más del área de recarga de combustible y de la fuente de combustible.

**Tenga en cuenta:** Para conocer la ubicación del depósito de combustible en el producto, consulte *Introducción en la página 26*.

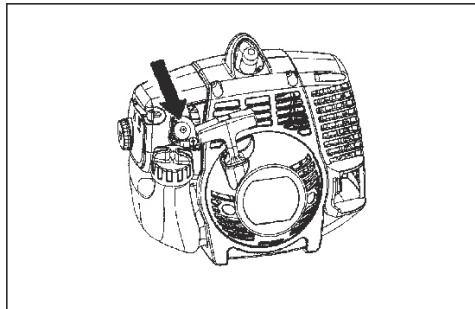
### Para prepararse para desbrozar el césped

1. Aplique soporte al producto con el arnés durante el desbroce de césped.
2. Asegúrese de que el equipo de corte esté paralelo al suelo.

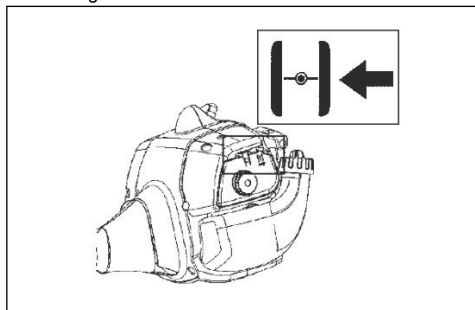


## Para arrancar un motor frío

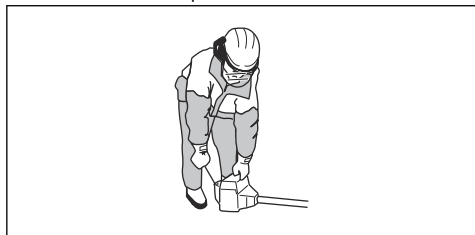
1. Presione el bulbo de la bomba de combustible de aire 10 veces.



2. Mueva el estrangulador a la posición de estrangulamiento totalmente abierta.



3. Mantenga el cuerpo del producto en el suelo con la mano izquierda. No se pare sobre el producto. Tire de la empuñadura de la cuerda de arranque lentamente hasta que sienta resistencia.



**Tenga en cuenta:** No tire del acelerador cuando arranque el motor.

4. Tire de la empuñadura de la cuerda de arranque tres veces con fuerza.



**AVISO:** No tire de la cuerda de arranque hasta que se detenga. No suelte la cuerda de arranque cuando esté totalmente extendida. Suelte la cuerda de arranque lentamente. Si no se siguen

estas instrucciones, se pueden producir daños en el motor.

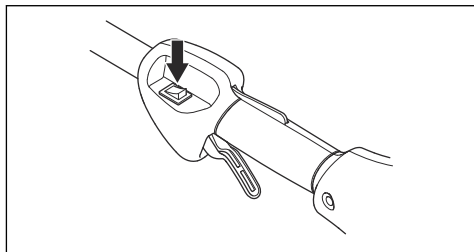
5. Mueva el estrangulador a la posición de estrangulamiento media.
6. Tire de la empuñadura de la cuerda de arranque hasta que el motor arranque.
7. Deje que el motor se caliente durante 10 segundos.
8. Mueva el estrangulador a la posición de estrangulamiento apagada.

## Para arrancar un motor caliente

1. Presione lentamente el bulbo de la purga de aire 10 veces.
2. Mueva la palanca del estrangulador a la posición HALF CHOKE (Estrangulador en posición media).
3. Tire de la empuñadura de la cuerda de arranque rápidamente hasta que arranque el motor.
4. Mueva la palanca del estrangulador a la posición NO CHOKE (Estrangulador apagado).

## Para detener el producto

- Presione el interruptor de detención para detener el motor.

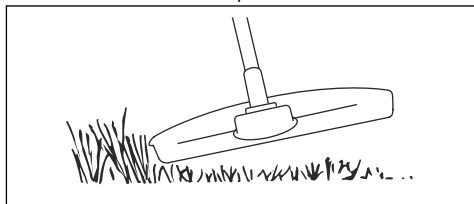


**Tenga en cuenta:** El interruptor de detención regresa automáticamente a su posición inicial.

## Recorte de césped con cabezal de corte

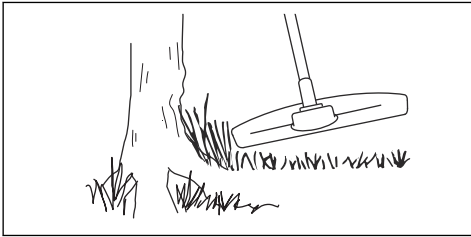
### Para recortar el césped

1. Sostenga el cabezal de corte inmediatamente sobre el nivel del suelo en un ángulo. No presione el hilo de la recortadora de césped contra este último.



2. Disminuya la longitud del hilo de la recortadora entre 10 y 12 cm/4 y 4,75".

- Disminuya el régimen del motor para reducir el riesgo de dañar las plantas.
- Use una aceleración de un 80 % cuando corte el césped cerca de objetos.

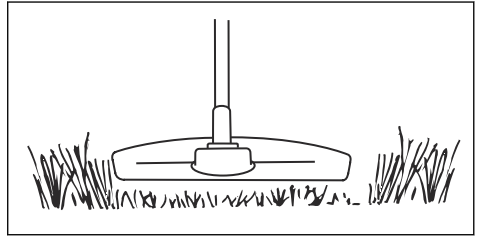


### Para arrancar el pasto con una hoja para hierba

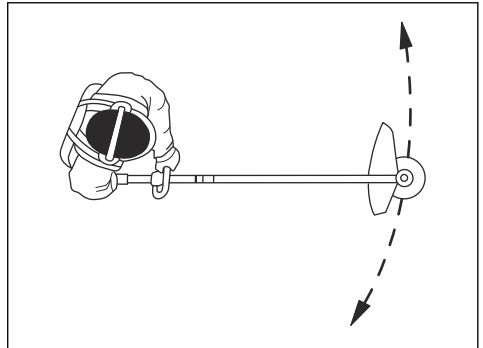
- Las hojas para hierba y las cortadoras de césped no se deben utilizar para tallos leñosos.
- Una hoja para hierba se utiliza para todos los tipos de césped alto o hierba gruesa.
- La hierba se corta con un movimiento lateral y oscilante, donde el movimiento de derecha a izquierda es de limpieza y el movimiento de izquierda a derecha es de retorno. Deje que el lado izquierdo de la hoja (levemente inclinada hacia la izquierda y hacia el frente) realice el corte.
- Si la hoja está inclinada a la izquierda cuando corta la hierba, esta se acumulará en una línea, lo que hace que sea más sencillo juntarla, por ejemplo, con un rastrillo.
- Intente trabajar a compás. Párese firmemente con los pies separados. Avance después del movimiento de retorno y vuelva a pararse firme.
- Deje que la cazoleta de apoyo descanse ligeramente sobre el suelo. Se utiliza para evitar que la hoja golpee el suelo.
- Reduce el riesgo de que el material envuelva la hoja trabajando siempre a máxima velocidad y evitando el material cortado anteriormente durante el movimiento de retorno.
- Detenga el motor, desenganche el arnés y coloque la máquina en el suelo antes de comenzar a juntar el material cortado.

### Para cortar el césped

- Asegúrese de que el hilo de la recortadora de césped esté paralelo al suelo cuando corte.



- No presione el cabezal de corte contra el suelo. Esto puede provocar daños al producto.
- Mueva el producto de un lado a otro cuando corte. Utilice la máxima velocidad.



### Para barrer el césped

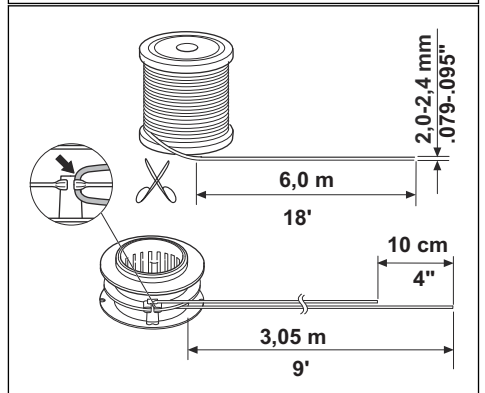
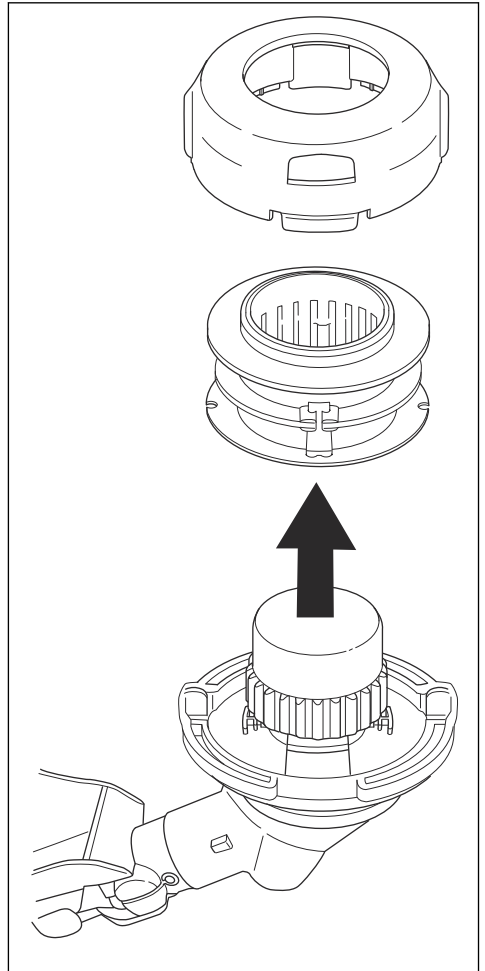
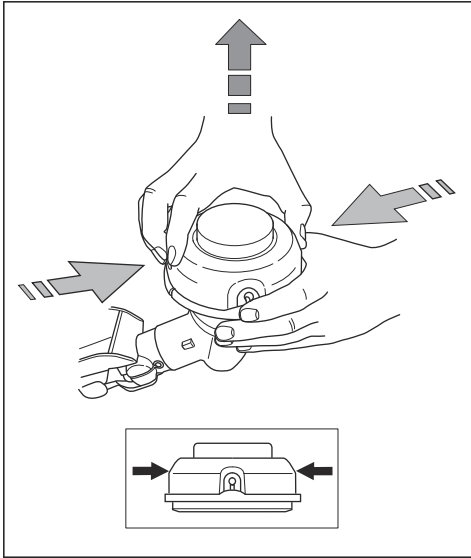
El flujo de aire del hilo giratorio de la recortadora puede usarse para eliminar el césped cortado de una zona.

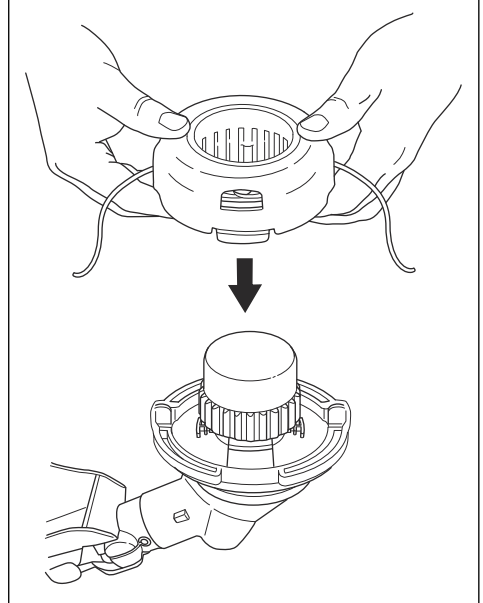
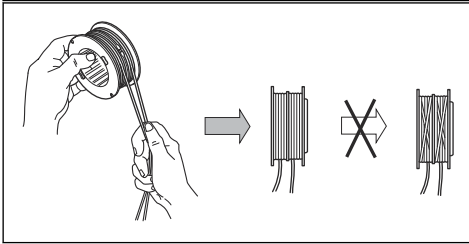
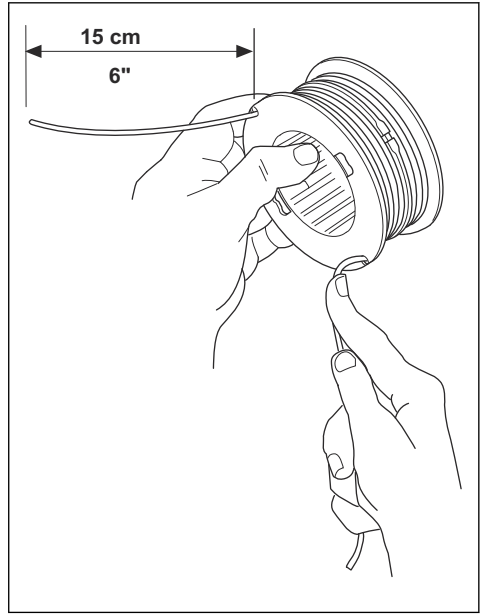
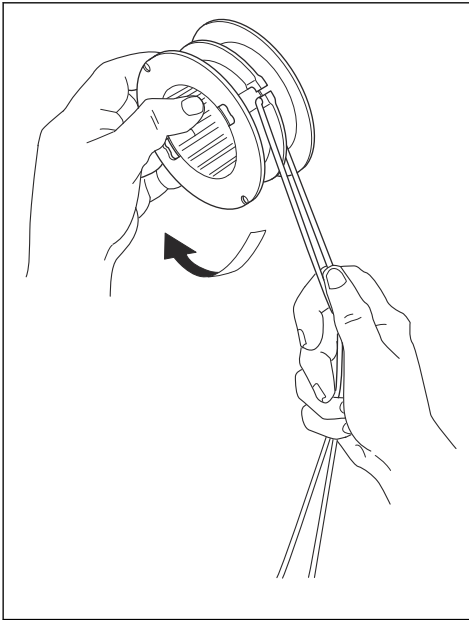
- Mantenga el cabezal de corte y el hilo de la recortadora paralelos al suelo y por sobre él.
- Acelere al máximo.
- Mueva el cabezal de corte de lado a lado y barra la hierba.

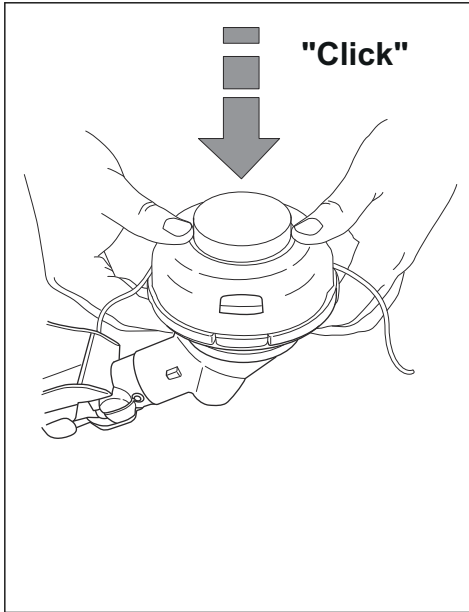


**ADVERTENCIA:** Limpie la cubierta del cabezal de corte cada vez que monte el nuevo hilo de la recortadora para evitar desestabilizaciones y vibraciones en los manillares. También realice una comprobación de las demás piezas del cabezal de corte y límpielo si es necesario.

# Para sustituir el hilo de la recortadora







## Mantenimiento

### Introducción



**ADVERTENCIA:** Lea detenidamente el capítulo de seguridad antes de realizar mantenimiento en el producto.



**AVISO:** Para evitar un arranque accidental, retire el sombrerete de bujía antes de realizar el mantenimiento del producto.

### Programa de mantenimiento

Mantenimiento	Diario	Una vez por semana	Una vez por mes
Limpie la superficie externa.	X		
Examine el arnés en busca de daños.	X		
Compruebe si hay daños en el anillo de suspensión.	X		
Compruebe el bloqueo del acelerador y el acelerador. Consulte <i>Comprobación del fiador del acelerador en la página 33.</i>	X		
Asegúrese de que el equipo de corte no gire en régimen de ralentí.	X		
Compruebe el interruptor de detención Consulte <i>Para comprobar el interruptor de detención en la página 33.</i>	X		
Examine la protección del equipo de corte en busca de daños y grietas.	X		
Asegúrese de que la hoja para hierba esté alineada con el centro. Asegúrese de que la hoja para hierba esté afilada y que la hoja o el orificio central no estén dañados.	X		

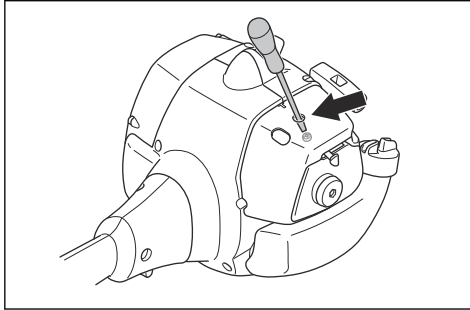
Mantenimiento	Diario	Una vez por semana	Una vez por mes
Revise el cabezal de corte en busca de daños y grietas. Reemplácelos si es necesario.	X		
Examine la empuñadura y el manillar en busca de daños y asegúrese de que se encuentren acoplados de manera correcta.	X		
Para los equipos de corte que poseen una cazoleta de apoyo, apriete el tornillo de bloqueo por completo.	X		
Para los equipos de corte que poseen una contratuerca, apriete la tuerca de bloqueo por completo.	X		
Examine la protección para transporte en busca de daños y asegúrese de que se pueda acoplar correctamente.	X		
Examine el motor, el depósito de combustible y los conductos de combustible para determinar si hay fugas.	X		
Limpie el filtro de aire. Reemplácelos si es necesario.	X		
Apriete tuercas y tornillos.	X		
Inspeccione el filtro de combustible para determinar si presenta contaminación y la manguera de combustible para determinar si presenta grietas u otros defectos. Reemplácelos si es necesario.	X		
Examine todos los cables y conexiones.	X		
Examine el arranque y la cuerda de arranque en busca de daños.		X	
Inspeccione los amortiguadores de vibraciones para determinar si presentan daños y grietas.		X	
Examine la bujía. Consulte <i>Para comprobar la bujía en la página 48</i> .		X	
Limpie el sistema de refrigeración.		X	
Asegúrese de que el engranaje angulado esté lleno de grasa hasta los $\frac{3}{4}$ .		X	
Limpie la superficie exterior del carburador y el espacio que lo rodea.		X	
Limpie la bujía. Retire la bujía y compruebe la distancia entre los electrodos.		X	
Limpie o reemplace la rejilla apagachispas en el silenciador.		X	
Revise si el embrague, el muelle de embrague y el tambor de embrague presentan desgaste. Reemplácelos si es necesario.			X
Reemplace la bujía.			X
Lubrique el eje propulsor. <sup>3</sup>			X
Asegúrese de que la liberación de seguridad del arnés no esté dañada y de que funciona correctamente.			X
Examine y limpie la rejilla apagachispas en el silenciador.			X

<sup>3</sup> En un intervalo de 6 meses.

## Para ajustar el régimen de ralentí

El producto Husqvarna está fabricado de conformidad con especificaciones que reducen las emisiones de gases de escape tóxicos.

1. Asegúrese de que el filtro de aire esté limpio y de que tenga la cubierta del filtro instalada.
2. Gire el tornillo de régimen de ralentí (T) hacia la izquierda hasta que el equipo de corte comience a moverse.



3. Gire el tornillo de régimen de ralentí (T) hacia la izquierda hasta que el equipo de corte se detenga.

El régimen de ralentí es el correcto cuando el motor funciona correctamente en todas las posiciones. El régimen de ralentí debe ser inferior a la velocidad cuando el equipo de corte empieza a girar.

**Tenga en cuenta:** Consulte *Datos técnicos en la página 49* para conocer el régimen de ralentí recomendado.



**ADVERTENCIA:** Si el equipo de corte no se detiene cuando ajusta el régimen de ralentí, consulte con su concesionario de mantenimiento. No utilice la máquina hasta que esté correctamente ajustada o reparada.

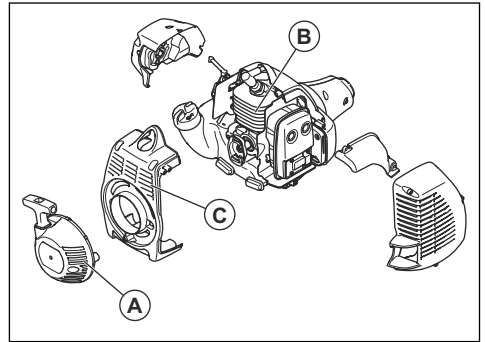
## Para limpiar el sistema de refrigeración



**AVISO:** Un sistema refrigerante sucio o bloqueado puede producir el sobrecalentamiento del producto, y dañarlo.

Las piezas del sistema refrigerante son la toma de aire del motor de arranque (A), las aletas de refrigeración del cilindro (B) y la cubierta del cilindro (C).

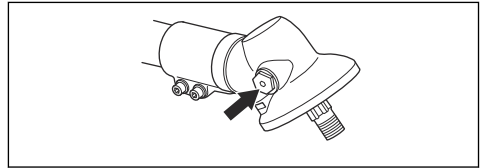
1. Limpie el sistema de refrigeración con un cepillo semanalmente o con mayor frecuencia si es necesario.



2. Asegúrese de que el sistema refrigerante no esté sucio ni obstruido.

## Engranaje angulado

Durante su fabricación, el engranaje angulado se llena con una cantidad adecuada de grasa. Pero, antes de utilizar la máquina, asegúrese de que el engranaje angulado esté lleno 3/4 con grasa. Utilice la grasa especial de Husqvarna.



El servicio autorizado reemplaza la grasa del engranaje angulado.

## Filtro de aire

Retire el polvo y la suciedad del filtro de aire para mantenerlo limpio y evitar los siguientes problemas:

- Fallas del carburador
- Problemas cuando se arranca el producto
- Pérdida de energía
- Aumento del desgaste de las piezas del motor
- Demasiado consumo de combustible

## Para limpiar el filtro de aire

1. Quite la cubierta del filtro de aire y retire el filtro.
2. Golpee el filtro contra una superficie plana para que caigan las partículas.



**AVISO:** No utilice disolventes ni aire comprimido para limpiar el filtro de aire.

3. Vuelva a colocar el filtro de aire. Asegúrese de que el filtro de aire se selle bien en el soporte del filtro de aire.

4. Vuelva a colocar la cubierta del filtro de aire.

**Tenga en cuenta:** Si un filtro de aire se ha utilizado durante mucho tiempo, nunca quedará completamente limpio. Reemplace el filtro de aire a intervalos regulares. Siempre reemplace un filtro de aire dañado.

## Para comprobar la bujía

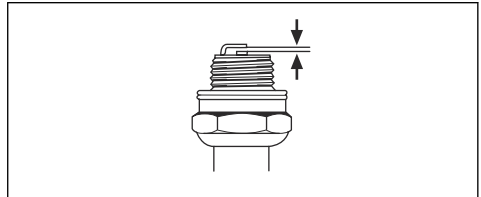


**AVISO:** Utilice la bujía recomendada. Consulte *Datos técnicos en la página 49*. Una bujía incorrecta puede causar daños al producto.

1. Si el producto presenta dificultades para arrancar o funcionar, o si no funciona correctamente a régimen de ralentí, examine la bujía en busca de materiales no deseados. Para disminuir el riesgo de material no deseado en los electrodos de la bujía, realice estos pasos:
  - a) asegúrese de que el régimen de ralentí esté ajustado correctamente.

- b) asegúrese de que la mezcla de combustible es la correcta.
- c) asegúrese de que el filtro de aire esté limpio.

2. Limpie la bujía si está sucia.
3. Asegúrese de que la distancia entre los electrodos sea la correcta. Consulte *Datos técnicos en la página 49*.



4. Reemplace la bujía cada mes o más a menudo si es necesario.

## Solución de problemas

### El motor arranca, pero se detiene de nuevo.

Pieza del producto que se va a examinar	Causa posible	Acción
Depósito de combustible	Tipo de combustible incorrecto	Vacíe el depósito de combustible y llénelo con combustible correcto.
Carburador	El régimen de ralentí no es correcto.	Consulte a su concesionario de servicio.
Filtro de aire	Filtro de aire obstruido.	Limpie o reemplace el filtro de aire.
Filtro de combustible	Filtro de combustible obstruido.	Reemplace el filtro de combustible.

### El motor no arranca

Verificar	Causa posible	Procedimiento
Interruptor de detención	El interruptor de detención está en la posición de detención.	Mueva el interruptor de detención hacia la posición de arranque.
Ganchos de arranque	Los ganchos de arranque no se pueden mover libremente.	Retire la cubierta del arranque y limpie alrededor de los ganchos de arranque. Permita que un taller de servicio aprobado lo ayude.
Depósito de combustible	Tipo de combustible incorrecto	Vacíe el depósito de combustible y llénelo con combustible correcto.



Verificar	Causa posible	Procedimiento
Bujía	La bujía está sucia o mojada.	Asegúrese de que la bujía esté limpia y seca.
	La distancia entre los electrodos de la bujía es incorrecta.	Limpie la bujía. Asegúrese de que la distancia entre los electrodos sea la correcta. Asegúrese de que la bujía está equipada con un supresor.
		Consulte los datos técnicos para comprobar la distancia entre los electrodos.
	La bujía está floja.	Ajuste la bujía.

## Transporte y almacenamiento

- Para el almacenamiento y el transporte del producto y del combustible, asegúrese de que no haya fugas o vapores. Las chispas o llamas, por ejemplo, de dispositivos eléctricos o calderas, pueden iniciar un incendio.
- Siempre use contenedores aprobados para el almacenamiento y el transporte del combustible.
- Vacíe el depósito de combustible antes del transporte o de un almacenamiento prolongado.
- Deseche el combustible en un lugar adecuado para tal propósito.
- Utilice protección para transportes en el producto para evitar lesiones o daños en el producto. Una cuchilla que no se mueve también puede provocar lesiones graves.
- Quite el sombrero de bujía de la bujía.
- Fije el producto de manera segura durante el transporte.

## Datos técnicos

### Datos técnicos

	128LX, LT28CSHV
<b>Motor</b>	
Cilindrada, cm <sup>3</sup> /pulg. cúb	28/1,7
Régimen de ralentí, rpm	2300-3200
Velocidad máxima recomendada, rpm	8000
Potencia máxima del motor, según la norma ISO 8893, kW/hp a rpm	0,7/0,94 a 8000
Silenciador con catalizador	Sí
Rotación máxima del eje de salida	7200
<b>Sistema de encendido<sup>4</sup></b>	
Bujía	Champion RCJ-8Y
Distancia entre los electrodos, mm/pulg.	0,6/0,024
<b>Combustible y sistema de lubricación</b>	
Capacidad del depósito de combustible, l/pinta EE. UU.	0,4/0,85

<sup>4</sup> Este sistema de encendido por chispa cumple con la norma canadiense ICES-002.

	128LX, LT28CSHV
<b>Peso</b>	
Peso, kg/lb	5,0/11,0

---

## Accesorios

---

### Accesorios

Accesorios aprobados	Tipo de accesorio	Protección del equipo de corte, art. n.º
Orificio central en hojas/cortadoras; 25,4 mm de diámetro		
Rosca del eje de salida M10 LH		
Hoja para hierba o cortadora de césped	Multi 255-4 (Ø 255 mm, 4 dientes)	580 44 66-06
Cabezal de corte	T25 (hilo de Ø 2,4 mm)	580 44 66-06
Cazoleta de apoyo	503 89 01-01	N/A

---

## Table des matières

---

Introduction.....	51	Dépannage.....	73
Sécurité.....	54	Transport et entreposage.....	74
Montage.....	61	Données techniques.....	74
Fonctionnement.....	63	Accessoires.....	75
Entretien.....	70		

---

## Introduction

---

### Description du produit

Le produit est un coupe-herbe avec moteur à combustion.

Le travail est constamment en cours pour augmenter votre sécurité et l'efficacité pendant l'utilisation. Pour obtenir de plus amples renseignements, communiquer avec votre centre de services.

### Utilisation prévue

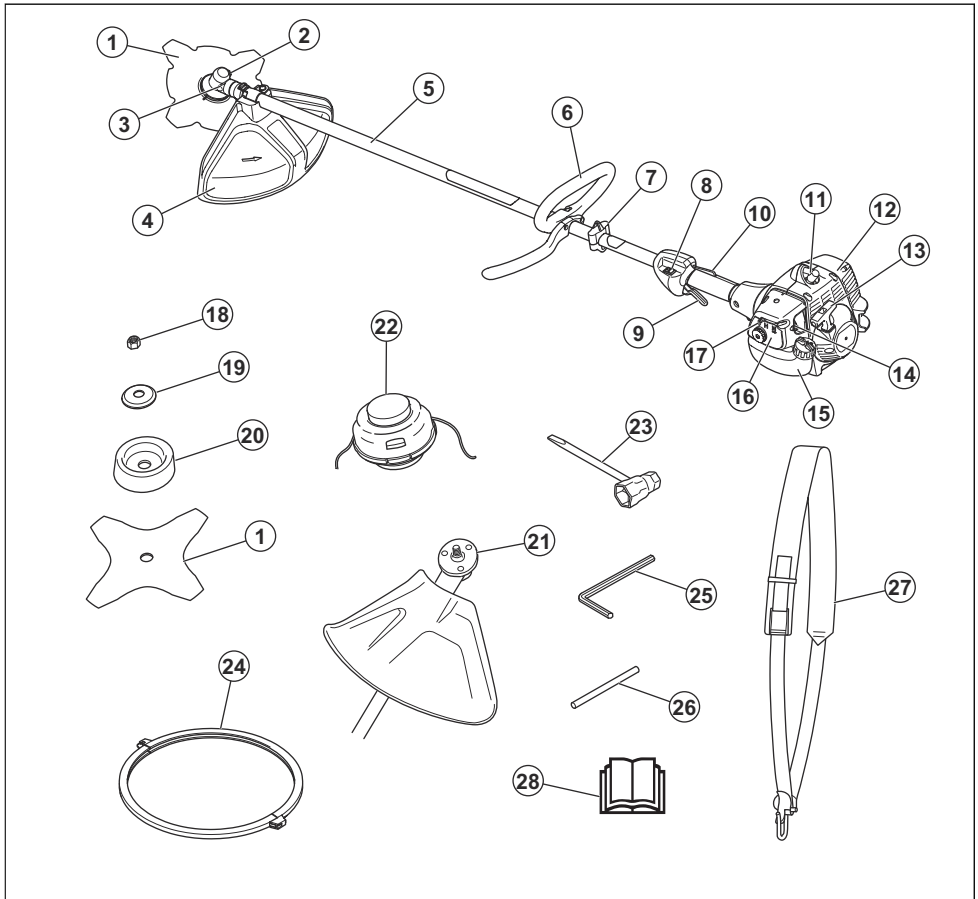
Utiliser le produit avec une lame à herbe ou une tête de désherbage pour couper l'herbe. Ne pas utiliser le produit pour des tâches autres que la coupe d'herbe.

**Remarque :** Les réglementations nationales ou locales peuvent limiter l'utilisation du produit.

---

Utilisez la machine seulement avec des accessoires homologués par le fabricant. Se reporter à la section *Accessoires à la page 75*.

## Présentation de la machine



1. Lame à herbe
2. Bouchon de remplissage de graisse
3. Pignon conique
4. Protection de l'outil de coupe
5. Arbre
6. Guidon en J
7. Attache du harnais
8. Interrupteur d'arrêt
9. Commande des gaz
10. Dispositif de verrouillage de la gâchette de l'accélérateur
11. Capuchon de bougie et bougie d'allumage
12. Couvercle de vérin
13. Corde du lanceur
14. Pompe de purge d'air
15. Réservoir de carburant

16. Couvercle du filtre à air
17. Commande de l'étrangleur
18. Contre-écrou
19. Bride de support
20. Bol de garde au sol
21. Disque d'entraînement
22. Tête de coupe
23. Clé à usages multiples
24. Protection de transport
25. Clé hexagonale
26. Goupille de blocage
27. Harnais
28. Manuel d'utilisation

## Symboles figurant sur le produit



**AVERTISSEMENT!** Faire attention et utiliser le produit correctement. Cet outil peut causer des blessures graves, ou même mortelles, à l'utilisateur et à d'autres personnes.



Avant d'utiliser la tondeuse, lire attentivement le manuel d'utilisation et veiller à bien comprendre les directives.



Utiliser un dispositif de protection homologué pour les oreilles. Utiliser un dispositif de protection homologué pour les yeux.



Utiliser des gants de protection homologués pendant l'utilisation et l'entretien. Utiliser des bottes de protection ou des chaussures avec semelles antidérapantes. Utiliser des vêtements en tissus résistants longs.



Prendre soin de retenir les cheveux longs au-dessus des épaules



L'outil peut engendrer des projections d'objets, ce qui peut causer des blessures.



Vitesse de rotation maximale de l'arbre de sortie.



Tenir les personnes et les animaux à une distance minimale de 15 m (50 pi) pendant l'utilisation du produit.



Il existe un risque de rebond si l'outil de coupe touche un objet qu'il ne coupe pas immédiatement. L'appareil peut couper des parties corporelles. Tenir les personnes et les animaux à une distance minimale de 15 m (50 pi) pendant l'utilisation du produit.



Les flèches indiquent la limite de la position du guidon.



Pompe à carburant.



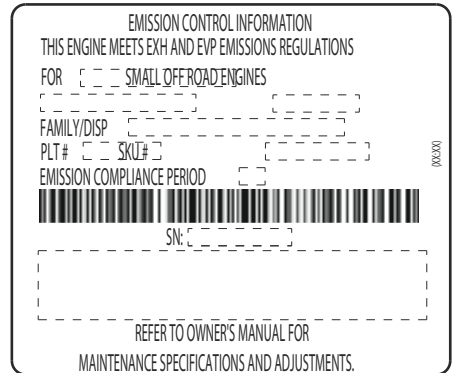
Volet de départ.

yyyywwxxxx

La plaque signalétique indique le numéro de série où **yyyy** représente l'année de production et **ww** la semaine de production.

**Remarque :** Les autres symboles/autocollants présents sur l'outil renvoient aux exigences en matière de certification pour d'autres zones commerciales.

## EPA III



La période de conformité aux réglementations antipollution de l'autocollant de conformité d'émissions indique le nombre nominal d'heures de fonctionnement du moteur conformément aux réglementations du gouvernement fédéral américain et de la Californie.

## ABRÉVIATIONS SUR LES ÉTIQUETTES DU SYSTÈME DE CONTRÔLE DES ÉMISSIONS

Généralités		Systèmes de contrôle des émissions d'échappement		Systèmes de contrôle des émissions par évaporation	
ECS	Système de contrôle des émissions	ECM	Module de commande du moteur (Autotune)	C	Coextrudé (multicouche)
EXH/EVP	Échappement et évaporation	EM	Modification du moteur	N	Nylon

## ABRÉVIATIONS SUR LES ÉTIQUETTES DU SYSTÈME DE CONTRÔLE DES ÉMISSIONS

Généralités		Systèmes de contrôle des émissions d'échappement		Systèmes de contrôle des émissions par évaporation	
HRS	Heures	OC	Catalyseur oxydant	P	Polyéthylène ou polyéthylène haute densité traité
REGS	Règlements	TWC	Catalyseur trifonctionnel	S	Fermé hermétiquement
SORE	Petits moteurs hors route				
US EPA	Office de protection de l'environnement des États-Unis				
CAL	Californie				
EVAP	Évaporation				
DISPL	Cylindrée				

### Proposition 65 de la Californie

**⚠ ATTENTION!**

Les émissions du moteur de cet outil contiennent des produits chimiques qui, d'après l'État de Californie, peuvent causer le cancer, des malformations congénitales ou autre danger pour la reproduction

### Responsabilité concernant le produit

Comme indiqué dans les lois en vigueur sur la responsabilité concernant les produits, nous ne serons pas tenus responsables des dommages que notre produit causerait dans les situations suivantes :

- Le produit n'est pas réparé de façon adéquate.
- Le produit est réparé avec des pièces qui ne sont pas fournies ou homologuées par le fabricant.
- Le produit comprend un accessoire qui n'est pas fourni ou homologué par le fabricant.
- Le produit n'est pas réparé par un centre de service après-vente agréé ou par une autorité homologuée.

## Sécurité

### Définitions relatives à la sécurité

Les avertissements, recommandations et remarques soulignent des points du manuel qui revêtent une importance particulière.



**AVERTISSEMENT:** Indique la présence d'un risque de blessure ou de décès de l'utilisateur ou de personnes à proximité si les instructions du manuel ne sont pas suivies.



**MISE EN GARDE :** Indique la présence d'un risque de dommages au produit, à d'autres appareils ou à la zone adjacente si les instructions du manuel ne sont pas suivies.

**Remarque :** Utilisé pour donner des renseignements plus détaillés qui sont nécessaires dans une situation donnée.

### Consignes générales de sécurité



**AVERTISSEMENT:** Lire les messages d'avertissement qui suivent avant d'utiliser l'outil.

- Une scie d'éclaircissement, un coupe-herbes ou un taille-haie peuvent être dangereux s'ils sont utilisés avec négligence ou de manière incorrecte et peuvent entraîner des blessures graves ou mortelles pour l'opérateur ou d'autres personnes. Il est extrêmement important de lire et de comprendre le contenu de ce manuel de l'opérateur.
- La conception du produit ne peut en aucun cas être modifiée sans l'autorisation du fabricant. Ne jamais utiliser un produit qui a été modifié de quelque manière que ce soit par rapport aux spécifications d'origine et toujours utiliser des accessoires d'origine. Les modifications et/ou les accessoires non autorisés peuvent entraîner des blessures

graves ou la mort de l'opérateur ou d'autres personnes.

- L'intérieur du silencieux contient des produits chimiques pouvant être cancérigènes. Éviter tout contact avec ces éléments si le silencieux est endommagé.
- Ce produit produit un champ électromagnétique pendant le fonctionnement. Ce champ magnétique peut, dans certains cas, nuire aux implants médicaux actifs ou passifs. Pour réduire le risque de blessures graves ou mortelles, nous recommandons aux personnes ayant des implants médicaux de consulter leur médecin et le fabricant de l'implant médical avant d'utiliser le produit.

## Consignes de sécurité pour l'assemblage



**AVERTISSEMENT:** Lire les messages d'avertissement qui suivent avant d'utiliser l'appareil.

- Utilisez des gants de protection approuvés pour assembler le produit et l'équipement de coupe.
- Débrancher le chapeau de bougie de la bougie d'allumage avant d'assembler le produit.
- S'assurer que le bon guidon et la bonne protection d'équipement de coupe sont installés avant d'utiliser le produit.
- Un équipement de coupe défectueux ou incorrect peut causer des blessures. Ne pas utiliser un outil de coupe dépourvu du dispositif de protection homologué.
- Fixer correctement le carter de l'embrayage et l'arbre avant de démarrer le produit.
- Le disque d'entraînement et la bride de support doivent s'engager correctement dans le trou central de l'équipement de coupe. Un outil de coupe qui n'est pas correctement fixé peut engendrer des blessures ou la mort.
- Fixer le harnais au produit pour éviter de blesser l'opérateur ou d'autres personnes.

## Consignes de sécurité pour l'utilisation



**AVERTISSEMENT:** Lire les messages d'avertissement qui suivent avant d'utiliser l'appareil.

- Ne jamais utiliser un harnais dont le dispositif de détachement rapide est défectueux. Lorsqu'on utilise une débroussailleuse, elle doit toujours être accrochée solidement au harnais. Sinon, il ne sera pas possible de contrôler la débroussailleuse en toute sécurité, ce qui pourrait vous blesser ou blesser d'autres personnes.
- Toujours tenir l'appareil des deux mains. Tenir l'appareil sur le côté droit du corps. Tenir l'outil de coupe sous la taille de l'utilisateur. Attacher le

produit à l'anneau de suspension sur le harnais. Tenir toute partie du corps à l'écart des surfaces chaudes. Tenir toute partie du corps à l'écart de l'outil de coupe en rotation.

- Lire et comprendre la différence entre l'éclaircissement forestier et la coupe d'herbe avant d'utiliser le produit.
- Ne jamais utiliser un appareil qui a été modifié de quelque manière que ce soit par rapport aux spécifications d'origine.
- Ne jamais utiliser un appareil défectueux. Effectuer les vérifications de sécurité, de maintenance et d'entretien conformément aux instructions fournies dans ce manuel. Certaines mesures de maintenance et d'entretien doivent être effectuées par des spécialistes formés et qualifiés. Se reporter à la section *Calendrier d'entretien à la page 70*.
- Utiliser de l'équipement de protection individuelle. Se reporter à la section *Équipement de protection personnelle à la page 57*.
- Ne pas utiliser ce produit par mauvais temps, par exemple, en cas de brouillard épais, de forte pluie, de vent violent, de grand froid, etc. Travailler par mauvais temps est éprouvant et ajoute des risques comme un sol glissant.
- Les seuls accessoires qui peuvent être utilisés avec cette unité à moteur sont les outils de coupe recommandés. Se reporter à la section *Accessoires à la page 75*.
- Faire preuve de prudence à l'égard des projections d'objets. Toujours porter des lunettes de protection homologuées. Ne jamais se pencher au-dessus du dispositif de protection de l'outil de coupe. Des pierres, des débris, etc. peuvent être projetés dans vos yeux, causant la cécité ou des blessures graves.
- Ne jamais utiliser l'outil en cas de fatigue, de maladie, d'absorption d'alcool ou d'autres drogues, ni en cas de prise de médicaments pouvant nuire à l'acuité visuelle, au jugement et à la coordination.
- L'exposition prolongée au bruit peut causer une perte auditive permanente. Toujours utiliser un dispositif de protection homologué pour les oreilles.
- Écouter s'il y a des signaux d'avertissement ou des voix fortes lors de l'utilisation d'un dispositif de protection pour les oreilles. Toujours enlever le dispositif de protection pour les oreilles dès que le moteur s'arrête.
- Effectuer une inspection générale de l'appareil avant de l'utiliser. Se reporter à la section *Avant d'utiliser le produit à la page 63*.
- Ne jamais utiliser le produit s'il est modifié ou défectueux.
- S'assurer que le capuchon de bougie d'allumage et le fil d'allumage ne sont pas endommagés, afin d'éviter le risque de décharge électrique.
- Regarder tout autour de la zone de travail pour s'assurer qu'aucune personne ni aucun animal ou objet ne présente aucune incidence négative sur la sécurité lors de l'utilisation du produit.

- Regarder tout autour de la zone de travail pour s'assurer qu'aucune personne ni aucun animal ne touche l'outil de coupe ou n'est heurté par des objets projetés hors de l'outil de coupe.
- Vérifier la zone de travail. Retirer tous les objets mobiles tels que les pierres, le verre cassé, les clous, les fils de fer et les cordes, qui peuvent être projetés ou poussés par le vent autour de l'outil de coupe.
- Ne pas utiliser le produit dans une situation ou un endroit où vous ne pourrez pas recevoir de l'aide en cas d'accident.
- Ne pas utiliser l'outil sans un dispositif de protection.
- S'assurer que les personnes ou les animaux gardent une distance d'au moins 15 m (50 pi) pendant le travail. Toujours regarder derrière avant de faire demi-tour avec le produit. Arrêter immédiatement le produit si une personne ou un animal pénètre dans la zone de sécurité de 15 m (50 pi). Si plusieurs opérateurs travaillent dans la même zone, garder une distance de sécurité d'au moins 15 m (50 pi).
- S'assurer de pouvoir se déplacer en toute sécurité et de disposer d'une distance de sécurité. Examiner les alentours de l'aire de travail pour voir s'il y a des obstacles tels que les racines, les pierres, les branches et les fossés. Faire attention pendant le travail sur un terrain en pente.
- Ne pas trop se pencher en avant. Se tenir bien campé dans une position stable et en parfait équilibre.
- Avant de démarrer le produit, le placer sur une surface plane, à au moins 3 m de la source de carburant et de l'endroit où l'appoint de carburant est effectué. S'assurer qu'aucun objet ne se trouve à proximité de l'outil de coupe ou ne touche celui-ci.
- Si l'outil de coupe tourne au régime de ralenti, laisser un agent d'entretien le régler. Ne pas utiliser le produit jusqu'à ce qu'il soit réglé ou réparé.
- Faire preuve de prudence à l'égard des projections d'objets. Toujours porter des lunettes de protection homologuées et s'éloigner du dispositif de protection de l'outil de coupe. Des pierres et d'autres petits objets peuvent être projetés dans les yeux et causer la cécité ou d'autres blessures.
- Ne pas déposer l'outil alors que le moteur est en marche à moins de l'avoir sous les yeux.
- Ne pas retirer l'herbe coupée ou laisser d'autres personnes retirer l'herbe coupée lorsque le moteur est en marche ou que l'équipement de coupe tourne, car il peut en résulter des blessures graves.
- Le pignon conique peut être très chaud en cours d'utilisation et rester chaud pendant un certain temps après l'utilisation. Vous pourriez être brûlé si vous le touchez.
- Toujours arrêter le moteur et s'assurer que l'équipement de coupe ne tourne pas avant de retirer l'herbe enroulée autour de l'axe de lame ou coincée entre le dispositif de protection et l'outil de coupe. L'équipement de coupe continue de tourner, même après que l'accélérateur soit relâché. S'assurer que l'outil de coupe est complètement arrêté et débrancher le capuchon de bougie d'allumage avant de commencer à travailler dessus.
- Soyez prudent lorsque vous dégagez des matériaux autour de l'équipement de coupe. Le renvoi d'angle devient très chaud pendant le fonctionnement de la machine et peut causer des brûlures graves.
- Les gaz d'échappement du moteur sont chauds et peuvent contenir des étincelles. Risque d'incendie. Faire preuve de prudence des matériaux secs et inflammables.
- Arrêter le moteur avant de passer à une nouvelle zone de travail. Toujours fixer la protection de transport avant de déplacer l'équipement.
- Ne jamais utiliser le produit à l'intérieur ou dans des endroits n'ayant pas une ventilation convenable. Les gaz d'échappement contiennent du monoxyde de carbone, un gaz inodore, toxique et très dangereux qui peut entraîner la mort par asphyxie ou un intoxication au monoxyde de carbone.
- Ne jamais laisser des enfants utiliser le produit ou se tenir à proximité de celui-ci. Puisque le produit est équipé d'un interrupteur de marche-arrêt à ressort et peut être démarré à bas régime ou en exerçant une légère force sur la poignée du lanceur, même des jeunes enfants dans certaines circonstances peuvent produire la force nécessaire pour démarrer le produit. Cela peut entraîner un risque de graves blessures. Par conséquent, retirer le capuchon de bougie d'allumage lorsque le produit n'est pas sous une surveillance stricte.
- Une surexposition aux vibrations peut entraîner des problèmes circulatoires ou des troubles nerveux, en particulier chez les personnes ayant des troubles circulatoires. Parler à un médecin en cas de symptômes liés à une surexposition aux vibrations. Voici certains de ces symptômes : engourdissement, perte de sensibilité, fourmillement, picotement, douleur, faiblesse musculaire, décoloration ou modification de l'épiderme. Ces symptômes apparaissent habituellement aux doigts, aux mains et aux poignets. Les risques augmentent à basse température.
- Vérifier que l'équipement de coupe est correctement monté et réglé.
- Il est recommandé de consulter un expert en cas de doute. Communiquer avec votre concessionnaire ou votre atelier d'entretien.
- Éviter toutes les utilisations qui vous semblent difficiles.
- Ne pas utiliser le produit s'il est impossible d'appeler de l'aide en cas d'accident.
- L'utilisation d'un outil de coupe inadéquat ou d'une lame mal affûtée augmente le risque de rebond de la lame.
- Les produits équipés de lames débroussailluses peuvent être projetées violemment sur le côté lorsque la lame entre en contact avec un objet fixe. Cette situation s'appelle poussée de lame. Un rebond peut être suffisant pour propulser le produit



et l'opérateur à l'écart, occasionnant une perte de contrôle du produit. Un rebond peut se produire de façon inattendue si le produit s'accroche, cale ou se coince. Un rebond est plus susceptible de se produire dans les zones où il est difficile de voir le matériau à découper.

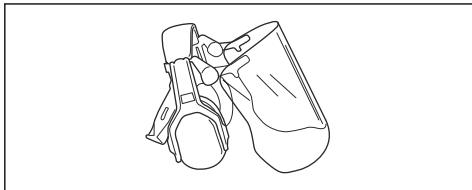
- Éviter de couper avec la zone de la lame entre les positions 12 h et 3 h. Du fait de la vitesse de rotation de la lame, un rebond peut se produire lors de la tentative de coupe des tiges épaisses avec cette zone de la lame.
- Les silencieux équipés d'un pot catalytique deviennent très chauds en cours d'utilisation et restent chauds pendant un certain temps après l'arrêt. C'est également le cas lorsque le moteur tourne au ralenti. Un contact pourrait entraîner des brûlures. Ne pas oublier le risque d'incendie.
- Utiliser les outils de coupe avec les protections recommandées uniquement. Se reporter à la section *Accessoires à la page 75*.

## Équipement de protection personnelle

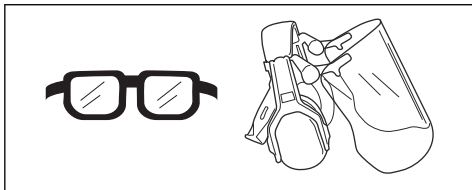


**AVERTISSEMENT:** Lire les messages d'avertissement qui suivent avant d'utiliser l'appareil.

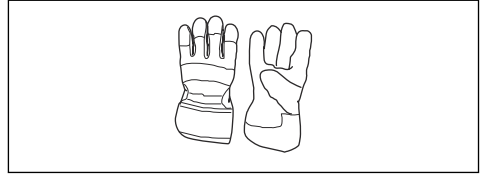
- Toujours utiliser un équipement de protection personnelle homologué lors de l'utilisation de l'appareil. Cet équipement de protection personnelle n'élimine pas complètement les risques de blessures, mais il peut en réduire la gravité en cas d'accident. Laisser le distributeur vous aider à sélectionner l'équipement adéquat.
- Utiliser un dispositif de protection homologué pour les oreilles.



- Utiliser un dispositif de protection homologué pour les yeux. Porter également des lunettes de protection homologuées en cas d'utilisation d'une visière. Les lunettes de protection homologuées doivent être conformes à la norme ANSI Z87.1 aux États-Unis ou à la norme EN 166 dans les pays de l'Union européenne.



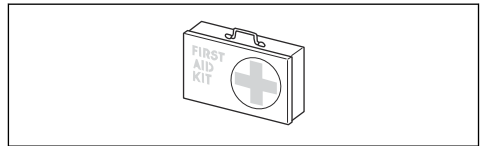
- Utiliser des gants au besoin, par exemple lors de la fixation, de l'examen ou du nettoyage de l'outil de coupe.



- Utiliser des bottes de protection à embout en acier et semelles antidérapantes.



- Utiliser des vêtements faits de tissus résistants. Toujours utiliser des pantalons longs et lourds et des manches longues. Ne pas porter des vêtements amples qui peuvent se prendre dans les broussailles et les branches. Ne pas porter de bijoux, de pantalons courts ni de sandales. Ne pas travailler pieds nus.
- Maintenir l'équipement de premiers secours à proximité.



## Dispositifs de sécurité sur l'outil

Pour obtenir des renseignements sur l'emplacement de ces dispositifs de sécurité, voir *Introduction à la page 51*.



**AVERTISSEMENT:** Lire les messages d'avertissement qui suivent avant d'utiliser l'outil.

- Ne pas utiliser un outil dont les dispositifs de protection sont défectueux. Vérifier et effectuer régulièrement l'entretien des dispositifs de sécurité. Si les dispositifs de sécurité sont défectueux, parler à votre agent d'entretien Husqvarna.
- Ne pas modifier les dispositifs de sécurité. Ne pas utiliser le produit si les couvercles de protection, les interrupteurs de sécurité ou d'autres dispositifs de protection ne sont pas fixés ou sont défectueux.

- Pour tous les travaux d'entretien et de réparation sur le produit, en particulier sur les dispositifs de sécurité, une formation spécifique est nécessaire. Si les dispositifs de sécurité échouent les vérifications mentionnées dans ce manuel d'utilisation, laisser un agent d'entretien vous aider. Nous garantissons que des réparations et des entretiens professionnels sont offerts. Si un distributeur n'est pas un agent d'entretien, communiquer avec lui pour connaître l'agent d'entretien le plus proche.
- Ne pas utiliser un outil de coupe dépourvu de dispositif de protection d'outil de coupe homologué et correctement fixé. Voir *Accessoires à la page 75*.

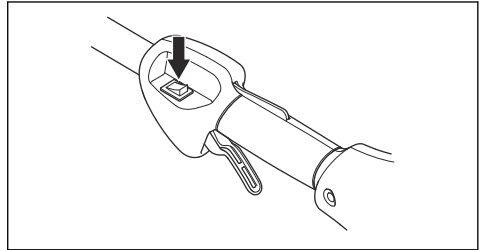
4. Démarrer le produit et le lancer à plein régime.
5. Relâcher la gâchette de l'accélérateur et s'assurer que la lame s'arrête et s'immobilise.



**AVERTISSEMENT:** Si les lames tournent lorsque la gâchette d'accélération se trouve à la position de ralenti, le régime de ralenti du carburateur doit être réglé. Se reporter à la section *Réglage du régime de ralenti à la page 72*.

#### Pour vérifier l'interrupteur d'arrêt

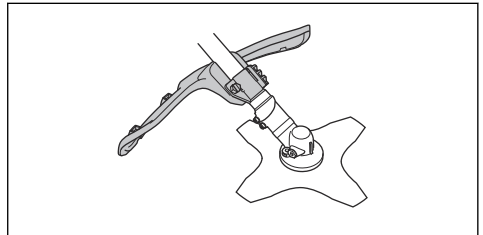
1. Démarrer le moteur.
2. Déplacer l'interrupteur d'arrêt en position d'arrêt et s'assurer que le moteur s'arrête.



#### Pour vérifier le dispositif de protection de l'outil de coupe

Le dispositif de protection de l'outil de coupe permet d'éviter des blessures et arrête les objets projetés en direction de l'opérateur.

1. Couper le moteur.
2. Effectuer une inspection visuelle pour détecter d'éventuels dommages, par exemple des fissures.



3. Remplacer le dispositif de protection de l'unité de coupe s'il est endommagé.

#### Réglage du harnais

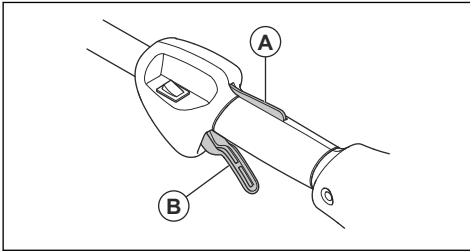
Toujours porter le harnais lors de l'utilisation de la machine. Le harnais assure un contrôle maximal pendant l'utilisation du produit. Le harnais diminue le risque de fatigue au niveau des bras et du dos.



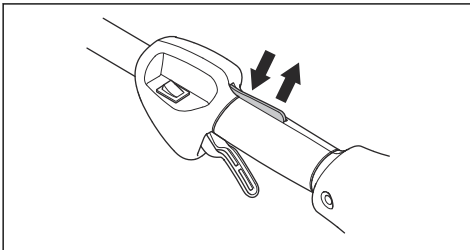
**AVERTISSEMENT:** Ne pas utiliser le harnais s'il est défectueux.

#### Pour vérifier le verrouillage de la gâchette de l'accélérateur

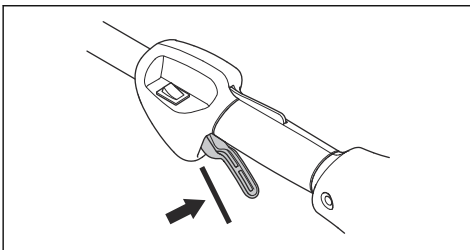
1. Vérifier que le dispositif de verrouillage de la gâchette de l'accélérateur et la gâchette d'accélération bougent librement et que le ressort de retour fonctionne correctement.



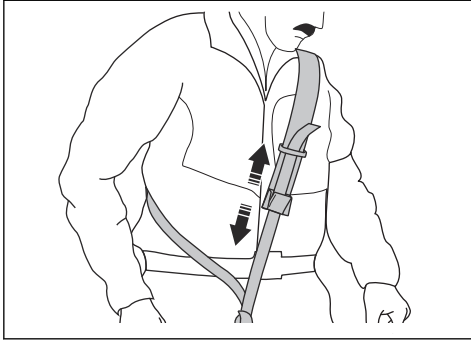
2. Appuyer sur le dispositif de verrouillage de la gâchette et s'assurer qu'il retourne à sa position initiale lorsqu'on le relâche.



3. S'assurer que la gâchette de l'accélérateur est verrouillée en position de ralenti lorsque le dispositif de verrouillage de la gâchette de l'accélérateur est relâché.



1. Vérifier l'état et l'usure du harnais. Toujours remplacer un harnais endommagé.
2. Enfiler le harnais.
3. Régler la longueur du harnais jusqu'à ce que le crochet de suspension soit à peu près à la hauteur de votre hanche droite.



#### Pour vérifier le silencieux



**AVERTISSEMENT:** Ne pas utiliser un produit dont le silencieux est défectueux.



**AVERTISSEMENT:** Ne pas utiliser le produit si l'écran pare-étincelles du silencieux est manquant ou défectueux.



**AVERTISSEMENT:** Le silencieux devient très chaud pendant et après utilisation, ainsi que lorsque le moteur tourne au ralenti. Utiliser des gants de protection pour éviter des brûlures.

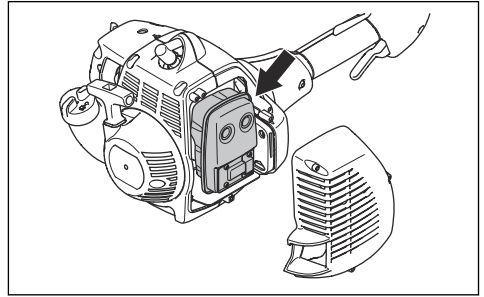
Le silencieux maintient le niveau de bruit au minimum et achemine les gaz d'échappement loin de l'utilisateur.

1. Couper le moteur.
2. Examiner le silencieux pour détecter d'éventuels dommages ou défauts.

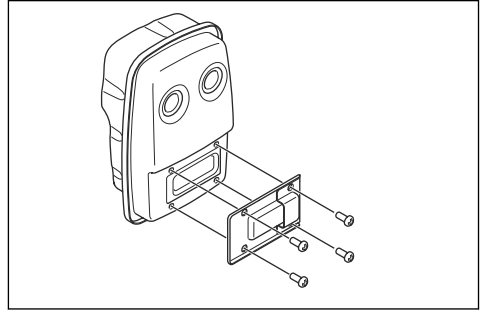


**AVERTISSEMENT:** Les surfaces internes du silencieux contiennent des produits chimiques pouvant causer des cancers. Faire attention à ne pas toucher ces éléments si le silencieux est endommagé.

3. S'assurer que le silencieux est bien fixé sur le produit.



4. Contrôler visuellement le pare-étincelles.



- a) Si l'écran pare-étincelles est endommagé, le remplacer.
- b) Si l'écran pare-étincelles est bloqué, le nettoyer.



**MISE EN GARDE :** Si l'écran pare-étincelles est obstrué, le produit surchauffe et entraîne ainsi des dommages au niveau du cylindre et du piston.

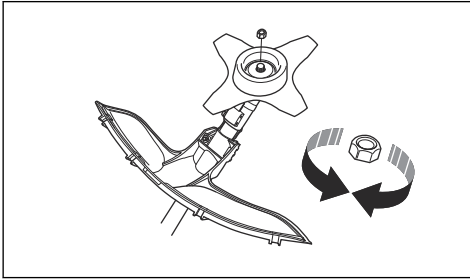
#### Pour installer et retirer le contre-écrou



**AVERTISSEMENT:** Arrêter le moteur, utiliser des gants de protection et faire attention autour des bords tranchants de l'outil de coupe.

Un contre-écrou est utilisé pour fixer certains types d'outils de coupe. Le contre-écrou présente un filetage à gauche.

- Pour installer le contre-écrou, le tourner dans le sens opposé au sens de rotation.



- Pour retirer le contre-écrou, tourner le contre-écrou dans le sens de rotation.
- Pour desserrer ou serrer le contre-écrou, utiliser une clé à douille munie d'un arbre long.



**AVERTISSEMENT:** Lors du desserrage et du serrage du contre-écrou, il y a un risque de blessure causée par l'outil de coupe. Faire attention et ne pas toucher l'équipement de coupe.

**Remarque :** S'assurer de ne pas pouvoir tourner le contre-écrou à la main. Remplacer le contre-écrou après l'avoir réutilisé environ 10 fois. Remplacer le contre-écrou après l'avoir réutilisé environ 10 fois.

### Outil de coupe



**AVERTISSEMENT:** Lire les messages d'avertissement qui suivent avant d'utiliser l'appareil.

- Effectuer l'entretien de routine. Communiquer avec un centre agréé pour examiner régulièrement l'outil de coupe et effectuer les réglages et les réparations.
  - Cette précaution augmente les performances de l'outil de coupe.
  - Cette précaution augmente la durée de vie de l'outil de coupe.
  - Cette précaution réduit le risque d'accident.
- Utiliser seulement un dispositif de protection d'outil de coupe homologué. Se reporter à la section *Accessoires à la page 75*.
- Ne pas utiliser un équipement de coupe endommagé.

### Tête de coupe d'herbe

- Vérifier que le fil coupe-herbe est fermement et uniformément enroulé autour du tambour; cette précaution réduit les vibrations.
- Utiliser seulement des têtes de coupe-herbe et des fils coupe-herbe homologués. Se reporter à la section *Tonte du gazon à la page 67*.

- Utiliser un fil coupe-herbe de longueur adéquate. Un fil coupe-herbe plus long utilise plus de puissance de moteur qu'un fil coupe-herbe court.
- Vérifier que le couteau monté sur le dispositif de protection de l'outil de coupe n'est pas endommagé.
- Tremper le fil coupe-herbe dans de l'eau pendant deux jours avant de monter le fil coupe-herbe sur le produit. Cette précaution permet d'augmenter la durée de vie du fil coupe-herbe.
- Se reporter aux instructions relatives à l'équipement de coupe pour connaître la bonne façon de charger le fil et le diamètre de fil approprié.

### Lame à herbe

- Utiliser correctement les lames affûtées. Une lame mal affûtée ou endommagée augmente les risques de blessure. Voir les instructions sur l'emballage de la lame.
- Utiliser des lames bien réglées. Une lame mal réglée augmente le risque de blessures et de dommages.

### Sécurité – carburant



**AVERTISSEMENT:** Lire les messages d'avertissement qui suivent avant d'utiliser l'outil.

- Ne pas mélanger le carburant à l'intérieur ou à proximité d'une source de chaleur.
- Ne pas démarrer l'outil s'il y a du carburant ou de l'huile moteur sur l'outil. Nettoyer le carburant ou l'huile et laisser sécher l'outil. Nettoyer tout carburant qui souille l'outil.
- Si du carburant se déverse sur les vêtements, changer immédiatement de vêtement.
- Ne pas déverser du carburant sur le corps; cela pourrait causer des blessures. Si du carburant se déverse sur le corps, se nettoyer au savon doux et à l'eau.
- Ne pas démarrer le moteur si de l'huile ou du carburant se renverse sur l'outil ou sur le corps.
- Ne pas démarrer l'outil si le moteur présente une fuite. Vérifier régulièrement le moteur à la recherche de fuites.
- Faire preuve de prudence lors de la manipulation du carburant. Celui-ci est inflammable et ses vapeurs sont explosives et peuvent causer des blessures ou la mort.
- Ne pas respirer les vapeurs de carburant, car elles peuvent causer des blessures. S'assurer que la ventilation est suffisante.
- Ne pas fumer à proximité du carburant ou du moteur.
- Ne pas placer des objets chauds à proximité du carburant ou du moteur.
- Ne pas faire le plein de carburant lorsque le moteur tourne.
- Vérifier que le moteur est froid avant de faire le plein.

- Avant de faire le plein, ouvrir lentement le couvercle du réservoir de carburant et relâcher la pression avec précaution.
- S'assurer que le débit d'air est suffisant lors du ravitaillement et du mélange de carburant (essence et huile deux temps) ou lors de la vidange du réservoir de carburant.
- Le carburant et les vapeurs de carburant sont extrêmement inflammables et peuvent causer des blessures très graves en cas d'inhalation ou de contact avec la peau. Pour cette raison, faire preuve de prudence lors de la manipulation du carburant et s'assurer que le débit d'air est suffisant.
- Serrer le couvercle du réservoir de carburant avec précaution, car un feu pourrait se déclencher.
- Avant de démarrer l'outil, le déplacer à au moins 3 m (10 pi) de la position où le plein de carburant a été fait.
- Ne pas mettre trop de carburant dans le réservoir de carburant.
- Vérifier qu'une fuite ne peut se produire lorsqu'on déplace l'outil ou le bidon d'essence.
- Ne pas placer l'outil ou un bidon d'essence dans un espace où il y a une flamme nue, des étincelles ou une veilleuse. Vérifier que la zone de stockage ne contient pas de flamme nue.
- Utiliser seulement des conteneurs agréés pour transporter ou stocker le carburant.
- Vider le réservoir de carburant avant de le remettre pour une période prolongée. Toujours respecter la législation locale sur la façon de mettre le carburant au rebut.
- Nettoyer l'outil avant de le remettre pour une période prolongée.
- Débrancher le chapeau de bougie avant de remettre le produit, pour que le moteur ne démarre pas par inadvertance.

## Consignes de sécurité pour la maintenance



**AVERTISSEMENT:** Lire les messages d'avertissement qui suivent avant d'utiliser l'outil.

- Arrêter le moteur, s'assurer que l'équipement de coupe s'arrête et laisser le produit refroidir avant de faire l'entretien.
- Débrancher la bougie d'allumage avant de procéder à l'entretien.
- Les gaz d'échappement du moteur contiennent du monoxyde de carbone, un gaz inodore, toxique et très dangereux qui peut causer la mort. Ne pas démarrer le produit à l'intérieur ou dans des espaces fermés.
- Les gaz d'échappement du moteur sont chauds et peuvent contenir des étincelles. Ne pas démarrer l'outil dans un local clos ou à proximité de matériaux inflammables.
- Les accessoires et les modifications apportées au produit qui ne sont pas approuvés par le fabricant peuvent causer des blessures graves, voire mortelles. Ne pas modifier l'outil. Utilisez toujours des accessoires d'origine.
- Si l'entretien n'est pas effectué correctement et régulièrement, le risque de blessures et de dommages à l'outil augmente.
- N'effectuer que les travaux d'entretien recommandés dans ce manuel d'utilisation. Laisser un agent d'entretien agréé Husqvarna effectuer toutes les autres opérations d'entretien.
- Demander régulièrement à un agent d'entretien agréé Husqvarna d'effectuer l'entretien de l'outil.
- Remplacer les pièces endommagées, usées ou brisées.

## Montage

### Introduction



**AVERTISSEMENT:** Avant d'assembler le produit, lire et bien comprendre le chapitre sur la sécurité.



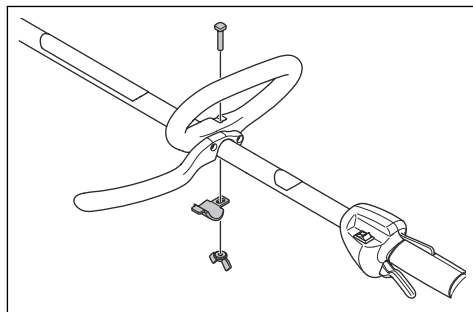
**AVERTISSEMENT:** Débrancher le câble de la bougie d'allumage avant d'assembler le produit.

### Installation de la poignée en J



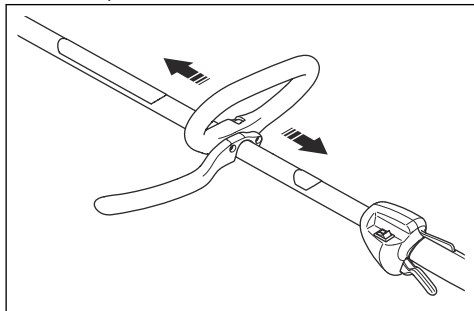
**AVERTISSEMENT:** Utiliser uniquement des lames à herbe ou des têtes de désherbage avec la poignée en J.

1. Placer la poignée en J entre les 2 flèches dessinées sur l'arbre.



2. Installer la vis, la plaque et l'écrou à ailettes.

- Régler la poignée en J pour que la position de travail soit adéquate.



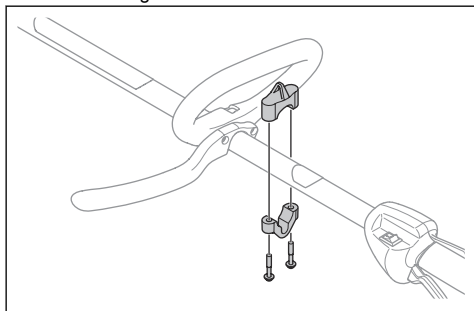
- Serrer l'écrou à ailettes.

## Installation de l'attache du harnais



**AVERTISSEMENT:** Le harnais doit être fixé en toute sécurité à son attache lorsque vous utilisez le produit.

- Placer les 2 moitiés de l'attache du harnais sur l'arbre et l'aligner avec les trous de vis.



- Installer les 2 vis.
- Régler l'attache du harnais à la position appropriée au-dessus de la flèche.
- Serrer à fond les 2 vis.

## Pour assembler l'équipement de coupe

L'équipement de coupe comprend un outil de coupe et un dispositif de protection de l'outil de coupe.



**AVERTISSEMENT:** Porter des gants de protection.



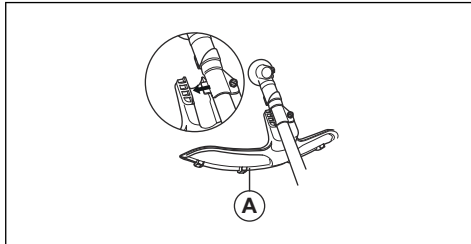
**AVERTISSEMENT:** Toujours utiliser le dispositif de protection de l'outil de coupe recommandé pour l'outil de coupe. Voir *Accessoires à la page 75*.



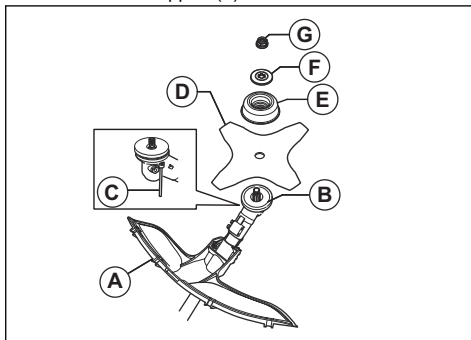
**AVERTISSEMENT:** Un outil de coupe mal fixé peut entraîner des blessures voire la mort.

## Pour installer le dispositif de protection de l'équipement de coupe et la lame à herbe.

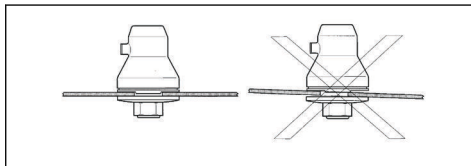
- Placer le dispositif de protection de l'équipement de coupe (A) sur l'arbre et serrer le boulon.



- Tourner l'arbre de sortie pour aligner l'un des trous dans le disque d'entraînement (B) avec le trou correspondant dans le carter d'engrenage.
- Placer la goupille de blocage (C) dans le trou pour bloquer l'arbre.
- Placer la lame à herbe (D), le bol de garde au sol (E) et la bride de support (F) sur l'arbre de sortie.

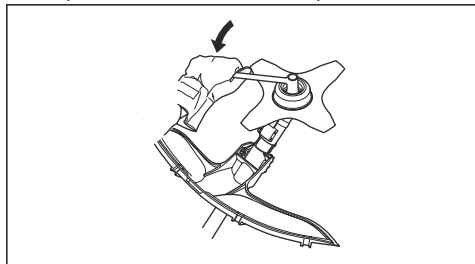


- S'assurer que le disque d'entraînement et la bride de support s'engagent correctement dans le trou situé au centre de la lame à herbe.



- Installer l'écrou (G).

- Serrer l'écrou au moyen de la clé à douille. Tenir le manche de la clé à douille à proximité du dispositif de protection de l'équipement de coupe. Serrer dans le sens opposé à la rotation de l'équipement de coupe. Serrer les écrous à un couple de 35 à 50 Nm.

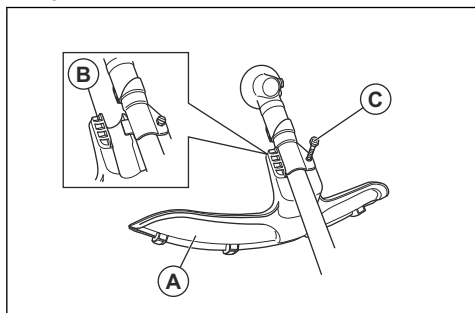


### Pour installer le dispositif de protection de l'équipement de coupe et la tête de désherbage

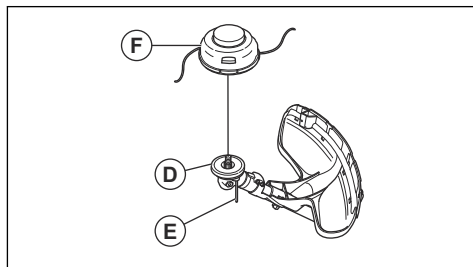


**MISE EN GARDE :** S'assurer que la rallonge du dispositif de protection est attachée.

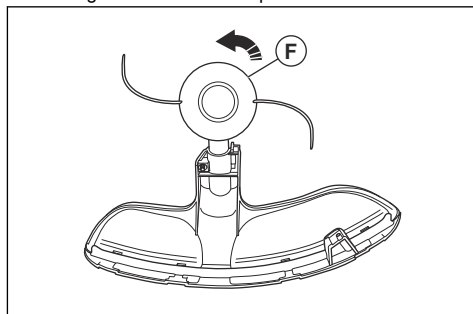
- Installer le dispositif de protection de l'équipement de coupe (A) destiné au fonctionnement avec la tête de désherbage.
- Accrocher le dispositif de protection de l'équipement de coupe (A) sur les deux crochets du porte-plaque (B).
- Plier le dispositif de protection de l'équipement de coupe autour de l'arbre et serrer la vis (C) du côté opposé de l'arbre. Utiliser la clé mixte pour serrer la vis.



- Installer le disque d'entraînement (D) sur l'arbre de sortie.



- Tourner l'arbre de sortie jusqu'à ce que l'un des trous dans le disque d'entraînement s'aligne avec le trou correspondant dans le carter d'engrenage.
- Placer la goupille de blocage (E) dans le trou pour bloquer l'arbre.
- Faire tourner la tête de désherbage (F) dans le sens des aiguilles d'une montre pour l'installer.



- Pour retirer la tête de désherbage et le dispositif de protection de l'équipement de coupe, suivez les instructions dans l'ordre inverse.

## Fonctionnement

### Introduction

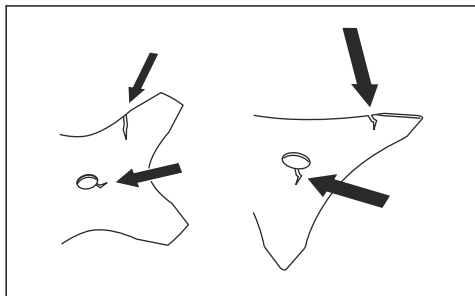


**AVERTISSEMENT:** Avant d'utiliser le produit, lire et bien comprendre le chapitre sur la sécurité.

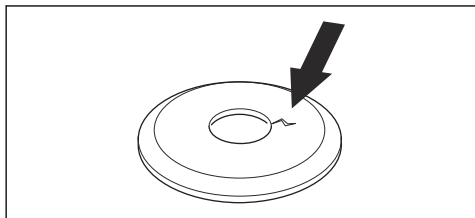
### Avant d'utiliser le produit

- Examiner la zone de travail pour s'assurer de connaître le type de terrain, l'inclinaison du sol et s'il y a des obstacles tels que des pierres, des branches et des fossés.

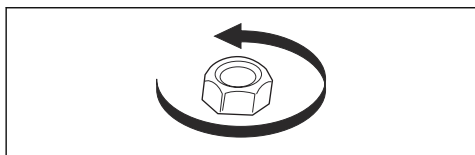
- Effectuer une inspection relative à la révision du produit.
- Effectuer les inspections de sécurité, les réparations et l'entretien indiqués dans ce manuel.
- S'assurer que tous les couvercles, toutes les protections, toutes les poignées et tous les équipements de coupe sont correctement fixés et en bon état.
- S'assurer qu'il n'y ait aucune fissure dans la partie inférieure des dents de la lame à herbe ou au niveau du trou situé au centre de la lame. Remplacer la lame si elle est endommagée.



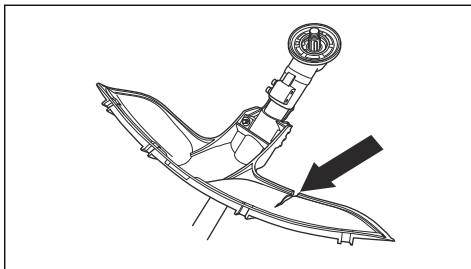
- Examiner la bride de support pour s'assurer qu'elle ne présente pas de fissures. Remplacer la bride de support si elle est endommagée.



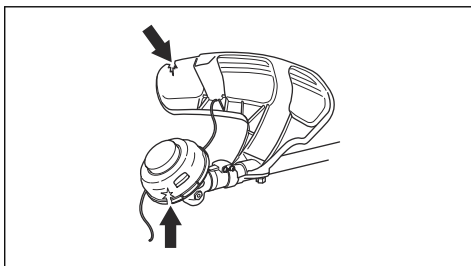
- S'assurer que le contre-écrou ne puisse pas être retiré à la main. S'il peut être retiré à la main, il ne verrouille pas suffisamment l'outil de coupe et doit être remplacé.



- Examiner le protège-lame pour détecter d'éventuels dommages ou fissures. Remplacer le protège-lame s'il a subi des chocs ou s'il présente des fissures.



- Examiner la tête de désherbage et le dispositif de protection de l'outil de coupe pour détecter d'éventuels dommages ou fissures. Remplacer la tête de désherbage et le dispositif de protection de l'outil de coupe s'ils ont subi des chocs ou s'ils présentent des fissures.



## Carburant

Cet outil est équipé d'un moteur à deux-temps.



**MISE EN GARDE :** Un type de carburant inapproprié peut endommager le moteur. Utiliser un mélange d'essence et d'huile pour moteur à deux-temps.

## Carburant prémélangé

- Utiliser du carburant alkylat prémélangé Husqvarna, pour atteindre une performance optimale et un prolonger la durée de vie du moteur. Ce carburant contient moins de substances chimiques nocives par rapport à un carburant régulier, ce qui réduit les gaz d'échappement nocifs. La quantité de dépôts après combustion est inférieure avec ce carburant, ce qui maintient les composants du moteur plus propres.

## Pour mélanger le carburant

### Essence

- Utiliser de l'essence sans plomb de bonne qualité contenant au maximum 10 % d'éthanol.





**MISE EN GARDE :** Ne pas utiliser d'essence à indice d'octane inférieur à 90 RON (87 AKI). L'utilisation d'un indice d'octane inférieur peut entraîner le cognement du moteur, ce qui provoque des dommages au moteur.

### Huile à moteur deux temps

- Pour obtenir un meilleur résultat et un fonctionnement optimal, utiliser l'huile pour moteur à deux-temps Husqvarna.
- Si l'huile pour moteur à deux temps Husqvarna n'est pas disponible, utiliser une huile pour moteur à deux temps de bonne qualité destinée aux moteurs refroidis à l'air. Communiquer avec votre centre de services pour sélectionner l'huile appropriée.



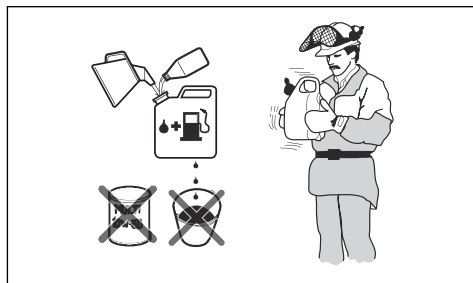
**MISE EN GARDE :** Ne pas utiliser l'huile pour moteur à deux temps dans des moteurs hors-bord refroidis à l'eau, également appelée huile pour moteur hors-bord. Ne pas utiliser l'huile pour des moteurs à quatre temps.

### Pour mélanger l'essence et l'huile pour moteur à deux temps

Essence, litre	Huile pour moteur à deux temps, litre
	<b>2 % (50:1)</b>
5	0,10
10	0,20
15	0,30
20	0,40
gallon US	once liquide US
1	2 ½
2 1/2	6 ½
5	12 ¾



**MISE EN GARDE :** De petites erreurs peuvent influencer considérablement le ratio de mélange lors du mélange de petites quantités de carburant. Mesurer soigneusement la quantité d'huile et s'assurer d'obtenir le mélange approprié.



1. Remplir la moitié de la quantité d'essence dans un récipient propre destiné à contenir du carburant.
2. Ajouter la quantité totale d'huile.
3. Agiter le mélange de carburant.
4. Ajouter la quantité restante d'essence dans un récipient.
5. Agiter avec précaution le mélange de carburant.



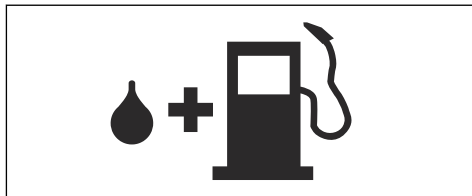
**MISE EN GARDE :** Ne pas mélanger le carburant pendant plus de 1 mois à la fois.

### Remplissage du réservoir de carburant



**AVERTISSEMENT:** Respecter la procédure suivante pour assurer la sécurité.

1. Couper le moteur et le laisser refroidir.
2. Nettoyer la zone autour du bouchon du réservoir de carburant.



3. Secouer le bidon et s'assurer que le carburant est complètement mélangé.
4. Retirer le bouchon du réservoir de carburant lentement pour libérer la pression.
5. Remplir le réservoir de carburant.



**MISE EN GARDE :** S'assurer qu'il n'y a pas trop de carburant dans le réservoir. Le carburant se dilate lorsqu'il devient chaud.

6. Serrer fermement le bouchon du réservoir de carburant.
7. Nettoyer le déversement de carburant sur le produit et autour de celui-ci.

8. Éloigner le produit de 3 m (10 pi) ou plus de la zone de remplissage et de la source de carburant avant de démarrer.

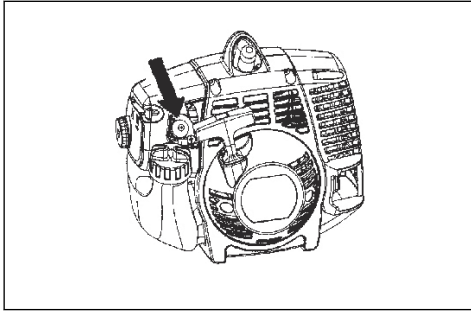
**Remarque :** Pour connaître l'emplacement du réservoir de carburant sur votre machine, se reporter à *Introduction à la page 51*.

## Pour préparer le débroussaillage

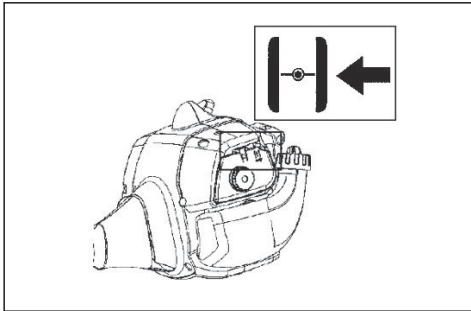
1. Soutenir le produit avec le harnais pendant le débroussaillage.
2. Vérifier que l'équipement de coupe est parallèle au sol.

## Démarrage d'un moteur froid

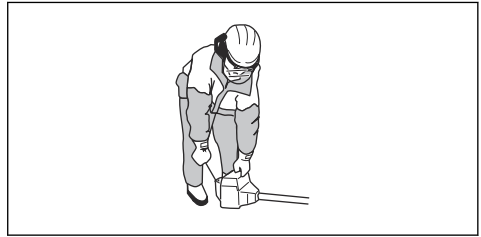
1. Appuyer 10 fois sur la pompe à carburant.



2. Déplacer le levier d'étrangleur en position fermée (position de démarrage).



3. Maintenir l'outil sur le sol à l'aide de la main gauche. Ne pas marcher sur l'outil. Tirer lentement sur la poignée de la corde du lanceur jusqu'à ce que vous sentiez une résistance.



**Remarque :** Ne pas tirer la gâchette de l'accélérateur lors du démarrage du moteur.

4. Tirer la poignée du câble du lanceur à 3 reprises avec force.



**MISE EN GARDE :** Ne pas tirer sur la corde du démarreur tant qu'il ne s'est pas arrêté. Ne pas lâcher la corde du démarreur lorsqu'elle est complètement déployée. Relâcher lentement la corde du démarreur. Le non-respect de ces instructions peut causer des dommages au moteur.

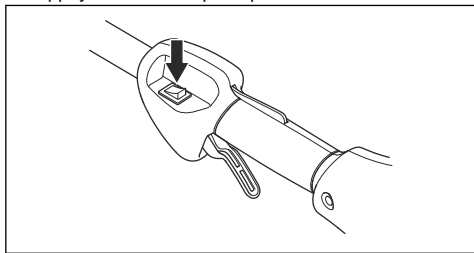
5. Déplacer le levier d'étrangleur en position Étrangleur à mi-course.
6. Tirer sur la poignée du câble du lanceur jusqu'à ce que le moteur démarre.
7. Laisser le moteur tourner pendant 10 secondes.
8. Déplacer le levier d'étrangleur en position Étrangleur ouvert (position de marche).

## Démarrage d'un moteur chaud

1. Appuyer lentement 10 fois sur l'ampoule de purge d'air.
2. Déplacer le levier d'étrangleur en position ÉTRANGLEUR À MI-COURSE.
3. Tirer vivement sur la corde du lanceur jusqu'à ce que le moteur démarre.
4. Déplacer le levier d'étrangleur en position ÉTRANGLEUR OUVERT.

## Arrêt de la machine

- Appuyer sur l'interrupteur pour arrêter le moteur.

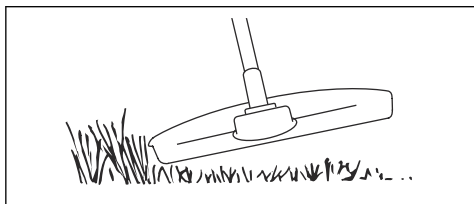


**Remarque :** L'interrupteur revient automatiquement à sa position initiale.

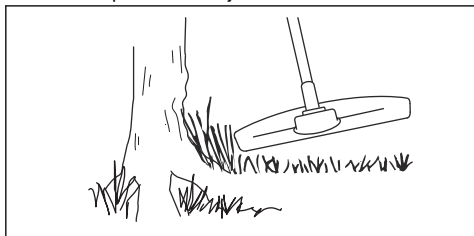
## Désherbage au moyen d'une tête de coupe

### Tonte du gazon

- Tenir la tête de coupe tout juste au-dessus du sol, en l'inclinant. Ne pas appuyer le fil de coupe dans l'herbe.



- Diminuer la longueur du fil de coupe de 10-12 cm (4-4,75 po).
- Réduire le régime du moteur pour réduire le risque d'endommager les plantes.
- Utiliser 80 % de l'accélération lorsqu'on doit couper l'herbe à proximité d'objets.



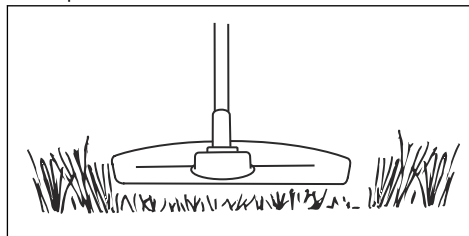
### Coupe de l'herbe au moyen d'une lame à herbe

- Ne pas utiliser les lames et les couteaux à herbe pour les tiges ligneuses.
- La lame à herbe s'utilise pour tous les types d'herbe haute ou épaisse.

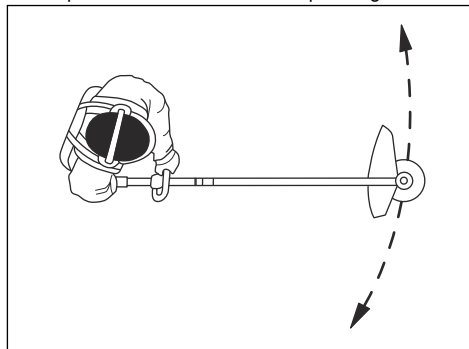
- Faucher l'herbe d'un mouvement de balancier latéral, le mouvement de la droite vers la gauche constituant la course aller et le mouvement de la gauche vers la droite la course de retour. Le côté gauche de la lame (entre la position 8 h et la position 12 h) effectue le travail de coupe.
- Si on penche légèrement la lame vers la gauche pendant le désherbage, l'herbe coupée est disposée en bandes, ce qui facilite le ramassage, par exemple lors du ratissage.
- Essayer d'adopter un rythme de travail régulier. Prendre une position stable, les pieds écartés. Faire un pas en avant après la course de retour et reprendre la même position stable.
- Laisser le bol de garde au sol. Son rôle est de protéger la lame contre tout contact avec le sol.
- Éviter que les matériaux s'enroulent autour de la lame en travaillant toujours à plein régime et en évitant de toucher le matériau végétal coupé lors de la course de retour.
- Arrêter le moteur, ouvrir le harnais et poser la machine par terre avant de rassembler le matériau végétal coupé.

### Pour couper l'herbe

- Pour effectuer une coupe, vérifier que le fil de coupe est parallèle au sol.



- Ne pas appuyer la tête de coupe sur le sol. Cela pourrait endommager le produit.
- Déplacer le produit d'un côté à l'autre pendant la coupe. Faire tourner le moteur à plein régime.



## Pour balayer l'herbe

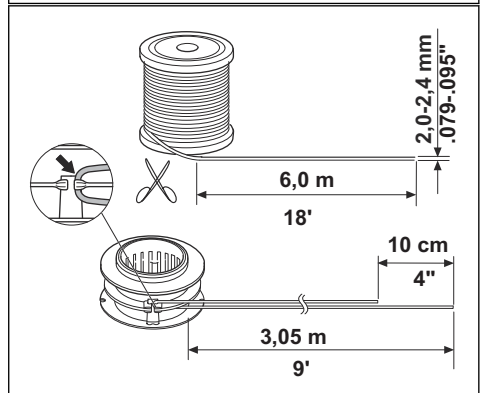
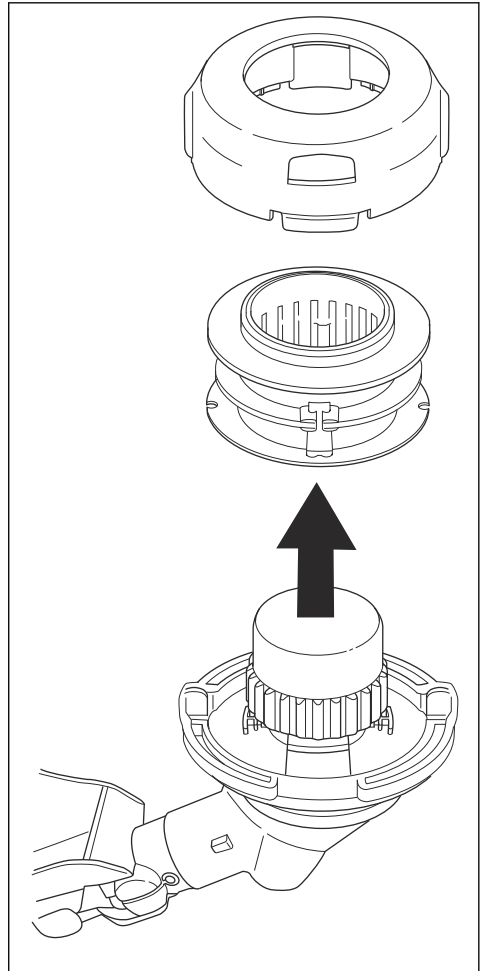
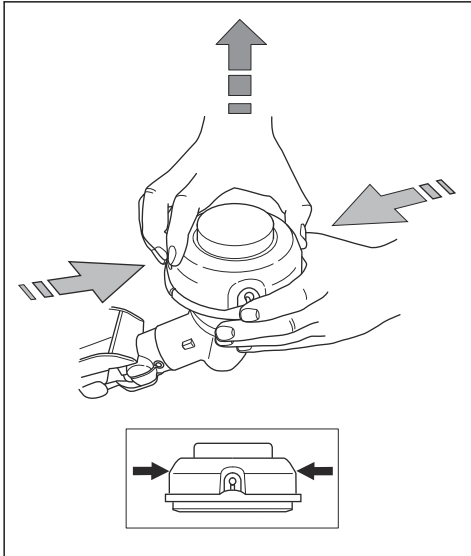
Le débit d'air du fil de coupe en rotation peut être utilisé pour souffler l'herbe coupée d'une zone.

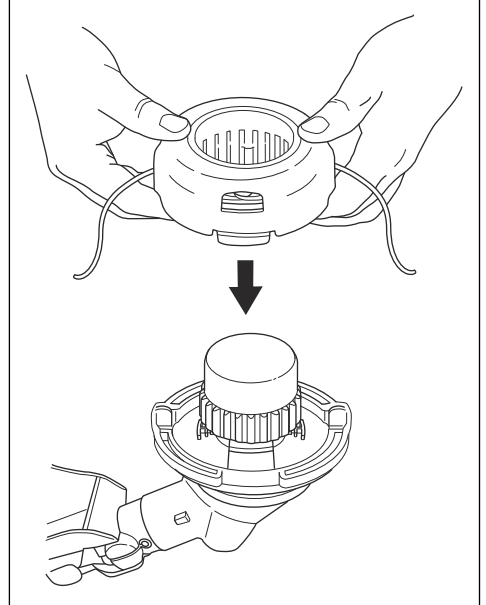
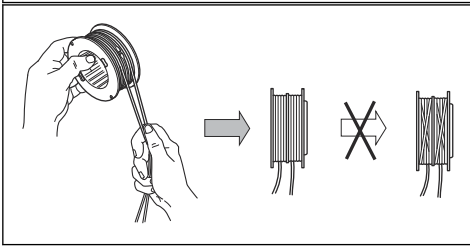
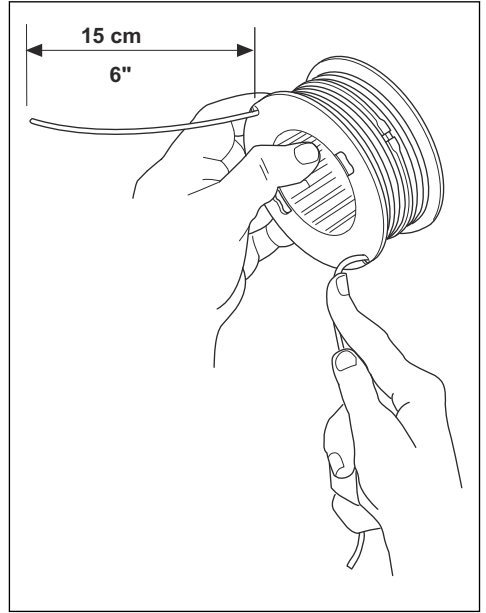
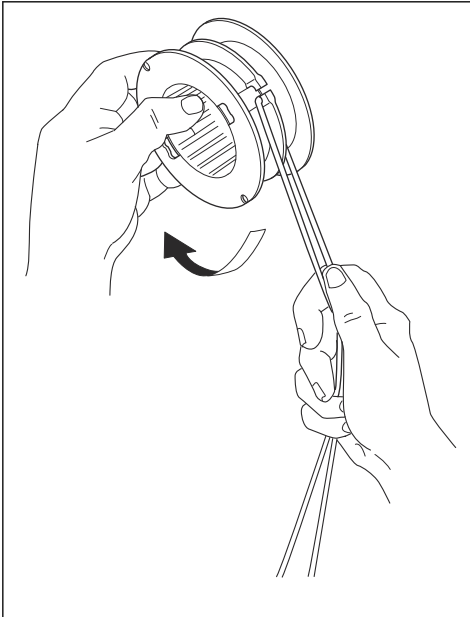
1. Maintenir la tête de désherbage et le fil surélevés et parallèles au sol.
2. Faire tourner le moteur à plein régime.
3. Déplacer la tête de coupe d'un côté à l'autre et balayer l'herbe.

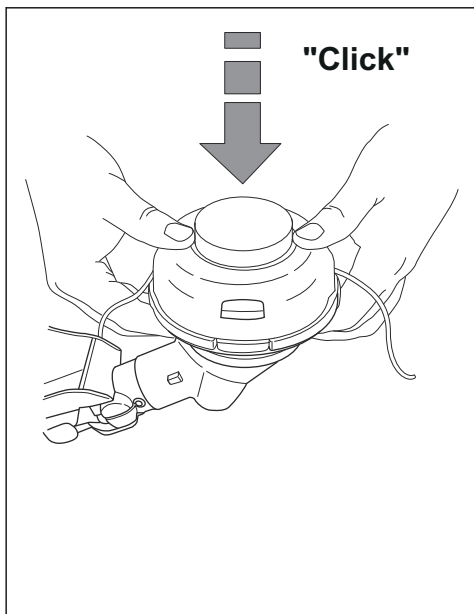


**AVERTISSEMENT:** Nettoyer le couvercle de la tête de désherbage à chaque remplacement du fil de coupe afin d'éviter un déséquilibre et des vibrations dans les poignées. En outre, vérifier les autres parties de la tête de coupe et les nettoyer au besoin.

## Remplacement du fil coupe-herbe







## Entretien

### Introduction



**AVERTISSEMENT:** Lire et comprendre le chapitre sur la sécurité avant de faire l'entretien du produit.



**MISE EN GARDE :** Afin d'éviter tout démarrage accidentel, retirer le capuchon de bougie d'allumage avant d'effectuer l'entretien du produit.

### Calendrier d'entretien

Entretien	Quotidien	Hebdomadaire	Mensuel
Nettoyer la surface externe.	X		
Examiner le harnais pour détecter d'éventuels dommages.	X		
Vérifier l'absence de dommages sur l'anneau de suspension.	X		
Vérifier le dispositif de verrouillage de la gâchette d'accélération et la gâchette. Se reporter à la section <i>Pour vérifier le verrouillage de la gâchette de l'accélérateur à la page 58.</i>	X		
S'assurer que l'outil de coupe ne tourne pas au régime de ralenti.	X		
Vérifier l'interrupteur d'arrêt. Se reporter à la section <i>Pour vérifier l'interrupteur d'arrêt à la page 58.</i>	X		
Vérifier le dispositif de protection de l'outil de coupe pour détecter d'éventuels dommages et fissures.	X		

Entretien	Quotidien	Hebdomadaire	Mensuel
S'assurer que la lame à herbe est alignée avec le centre. S'assurer que la lame à herbe est affûtée et qu'elle ne présente pas de dommages au niveau du tranchant ou du trou central.	X		
Examiner la tête de coupe pour s'assurer qu'elle ne présente pas de dommages ou de fissures. Le remplacer s'il est endommagé.	X		
Examiner la poignée et le guidon afin de détecter d'éventuels dommages et s'assurer qu'ils sont correctement fixés.	X		
Pour des outils de coupe avec un bol de garde au sol, serrer la vis de blocage complètement.	X		
Pour des outils de coupe avec un contre-écrou, serrer le contre-écrou complètement.	X		
Examiner la protection de transport afin de détecter d'éventuels dommages et s'assurer qu'elle peut être fixée correctement.	X		
Examiner le moteur, le réservoir de carburant et les conduites de carburant pour détecter d'éventuelles fuites.	X		
Nettoyer le filtre à air. Les remplacer au besoin.	X		
Serrer les écrous et les vis.	X		
Examiner le filtre à carburant pour voir s'il y a une contamination et le tuyau à carburant pour voir s'il y a des fissures et d'autres défauts. Les remplacer au besoin.	X		
Vérifier tous les câbles et toutes les connexions.	X		
Examiner le lanceur et la corde du lanceur pour détecter d'éventuels dommages.		X	
Examiner les éléments antivibrations pour s'assurer qu'ils ne présentent pas de dommages ou de fissures.		X	
Vérifier la bougie d'allumage. Se reporter à la section <i>Pour vérifier la bougie d'allumage à la page 73.</i>		X	
Nettoyer le système de refroidissement.		X	
Vérifier que le pignon conique est rempli de graisse au 3/4 de graisse.		X	
Nettoyer la surface externe du carburateur et ses zones adjacentes.		X	
Nettoyer la bougie d'allumage. Retirer la bougie d'allumage et vérifier l'écartement des électrodes.		X	
Nettoyer ou remplacer l'écran pare-étincelles sur le silencieux.		X	
Vérifier l'embrayage, les ressorts d'embrayage et le tambour d'embrayage pour détecter toute usure. Les remplacer au besoin.			X
Remplacer la bougie d'allumage			X
Lubrifier l'arbre d'entraînement. <sup>5</sup>			X
S'assurer que le mécanisme de sécurité du harnais n'est pas endommagé et qu'il fonctionne correctement.			X

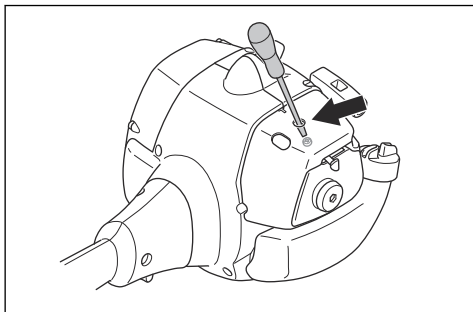
<sup>5</sup> Dans un intervalle de 6 mois.

Entretien	Quotidien	Hebdomadaire	Mensuel
Nettoyer ou remplacer l'écran pare-étincelles sur le silencieux.			X

## Réglage du régime de ralenti

Votre produit Husqvarna est fabriqué conformément aux spécifications permettant de diminuer les émissions nocives.

1. S'assurer que le filtre à air est propre et que le couvercle de filtre à air est fixé au produit.
2. Tourner la vis de réglage de régime de ralenti (T) dans le sens horaire jusqu'à ce que l'outil de coupe commence à tourner.



3. Tourner la vis de réglage de régime de ralenti (T) dans le sens antihoraire jusqu'à ce que l'outil de coupe s'arrête.

Le régime de ralenti est adéquat lorsque le moteur fonctionne sans à-coups dans toutes les positions. Le régime de ralenti doit être inférieur à la vitesse lorsque l'outil de coupe commence à tourner.

**Remarque :** Se reporter à la section *Données techniques à la page 74* pour obtenir le régime de ralenti recommandé.



**AVERTISSEMENT :** Si l'équipement de coupe ne s'arrête pas lors du réglage du régime de ralenti, communiquer avec son fournisseur de services d'entretien. Ne pas utiliser le produit jusqu'à ce qu'il soit réglé ou réparé correctement.

## Nettoyage du système de refroidissement

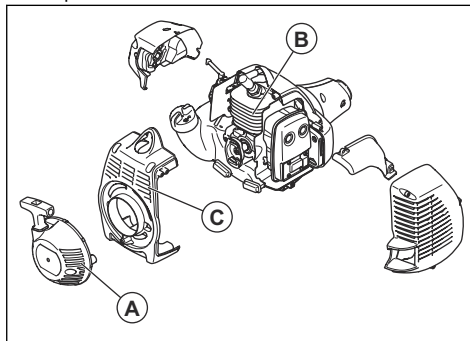


**MISE EN GARDE :** Un système de refroidissement encrassé ou bloqué peut entraîner une surchauffe du produit, ce qui peut endommager ce dernier.

Les pièces du système de refroidissement comprennent la prise d'air sur le démarreur (A), les ailettes de

refroidissement du cylindre (B) et le capot du cylindre (C).

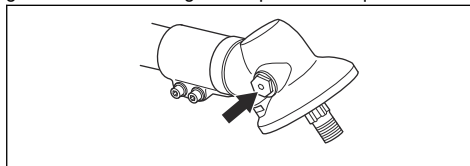
1. Nettoyer le système de refroidissement au moyen d'une brosse une fois par semaine ou plus fréquemment au besoin.



2. S'assurer que le système de refroidissement n'est pas sale ou obstrué.

## Pignon conique

Le pignon conique est rempli de la quantité de graisse nécessaire en usine. Mais, avant d'utiliser le produit, s'assurer que le pignon conique est rempli au 3/4 de graisse. Utiliser de la graisse spéciale Husqvarna.



La graisse du pignon conique est remplacée par votre centre de services.

## Filtre à air

Enlever la poussière et la saleté du filtre à air pour le garder propre afin d'éviter ces problèmes :

- Mauvais fonctionnement du carburateur.
- Problèmes au démarrage du produit.
- Une perte de puissance du moteur
- Une usure accrue des pièces du moteur.
- Une consommation excessive de carburant.

## Nettoyage du filtre à air

1. Retirer le couvercle du filtre à air et retirer le filtre.
2. Frapper le filtre contre une surface plane pour faire tomber les particules.





**MISE EN GARDE :** Ne pas utiliser un solvant ou de l'air comprimé pour nettoyer le filtre à air.

3. Remettre le filtre à air en place. S'assurer que le filtre à air est complètement scellé contre le support de filtre à air.
4. Remettre le couvercle du filtre à air.

**Remarque :** Un filtre à air utilisé pendant une longue période ne peut pas être complètement nettoyé. Remplacer le filtre à air à intervalles réguliers. Toujours remplacer les filtres à air endommagés.

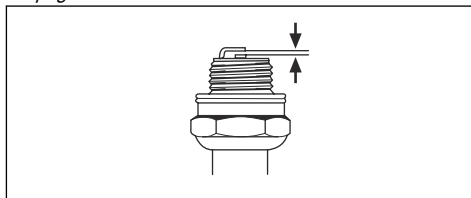
## Pour vérifier la bougie d'allumage



**MISE EN GARDE :** Utiliser la bougie recommandée. Se reporter à la section *Données techniques à la page 74*. Une bougie inadéquate peut endommager l'outil.

1. Si le produit n'est pas facile à démarrer ou à faire fonctionner ou s'il fonctionne mal au régime de ralenti, examiner la bougie d'allumage pour détecter d'éventuels matériaux indésirables. Afin de réduire le risque de matériau indésirable sur les électrodes de la bougie d'allumage, effectuer les étapes suivantes :

- a) Vérifier que le régime de ralenti est réglé de façon adéquate.
  - b) Vérifier que le mélange de carburant est correct.
  - c) Vérifier que le filtre à air est propre.
2. Nettoyer la bougie si elle est sale.
  3. Vérifier que l'écartement des électrodes est correct. Se reporter à la section *Données techniques à la page 74*.



4. Remplacer la bougie d'allumage une fois par mois ou plus fréquemment, au besoin.

## Dépannage

### Le moteur démarre mais s'arrête à nouveau

Pièce du produit à examiner	Cause possible	Mesure
Réservoir de carburant	Type de carburant inapproprié.	Vidanger le réservoir de carburant et faire le plein avec le carburant correct.
Carburateur	Le régime de ralenti n'est pas correct.	Communiquer avec votre centre de services.
Filtre à air	Filtre à air bouché.	Nettoyer ou remplacer le filtre à air.
Filtre à carburant	Filtre à carburant obstrué.	Remplacer le filtre à carburant.

### Le moteur ne démarre pas.

Vérifier	Cause possible	Procédure
Interrupteur d'arrêt.	L'interrupteur d'arrêt est à la position d'arrêt.	Régler l'interrupteur d'arrêt à la position de démarrage.

Vérifier	Cause possible	Procédure
Cliquets de lanceur à rappel.	Les cliquets de lanceur à rappel ne peuvent se déplacer librement.	Retirer le couvercle du démarreur et nettoyer autour des cliquets de lanceur à rappel.
		Laisser un agent d'entretien agréé vous aider.
Réservoir de carburant.	Type de carburant inapproprié.	Vidanger le réservoir de carburant et faire le plein avec le carburant correct.
Bougie d'allumage.	La bougie d'allumage est sale ou humide.	S'assurer que la bougie est propre et sèche.
	L'écartement des électrodes de la bougie d'allumage est incorrect.	Nettoyer la bougie d'allumage. Vérifier que l'écartement des électrodes est correct. S'assurer que la bougie d'allumage est dotée d'un suppresseur.
		Consulter les caractéristiques techniques pour connaître l'écartement correct des électrodes.
La bougie d'allumage est desserrée.	Serrer la bougie d'allumage.	

## Transport et entreposage

- Pour le stockage et le transport du produit et du carburant, s'assurer qu'il n'y a pas de fuite ou de vapeur. Les étincelles ou les flammes nues, par exemple avec des appareils électriques ou des chaudières, peuvent démarrer un incendie.
- Utiliser toujours des contenants agréés pour entreposer ou transporter le carburant.
- Vider le réservoir de carburant avant tout transport ou remisage pendant une période prolongée. Mettre au rebut le carburant à un emplacement adéquat.
- Utiliser le fourreau de transport sur le produit afin d'éviter des blessures ou des dommages au produit. Une lame immobile peut également provoquer des blessures graves.
- Retirer le chapeau de la bougie.
- Fixer le produit de façon sécuritaire pendant le transport.

## Données techniques

### Données techniques

	128LX, LT28CSHV
<b>Moteur</b>	
Cylindrée, po3/cm <sup>3</sup>	1,7/28
Régime de ralenti, tr/min	2 300 – 3 200
Régime maximal recommandé, tr/min	8000
Puissance max. du moteur, conformément à la norme ISO 8893, kW/hp à tr/min	0,7/0,94 @ 8000
Silencieux du pot catalytique	Oui
Rotation maximale de l'arbre de sortie	7200

	<b>128LX, LT28CSHV</b>
<b>Système d'allumage<sup>6</sup></b>	
Bougie d'allumage	Champion RCJ 8Y
Écartement des électrodes, po/mm	0,024/0,6
<b>Circuits d'alimentation et de lubrification</b>	
Capacité du réservoir de carburant, pte US/l	0,85/0,4
<b>Poids</b>	
Poids, lb/kg	11,0/5,0

---

## Accessoires

---

### Accessoires

Accessoires homologués	Type d'accessoires	Protection de l'outil de coupe, réf. art.
Trou central des lames/couteaux, diam. de 25,4 mm		
Filetage de l'arbre sortant M10 LH		
Lame à herbe et couteau à herbe	Multi 255-4 (4 dents de 255 de diam.)	580 44 66-06
Tête de désherbage	T25 (fil de 2,4 mm de diam.)	580 44 66-06
Bol de garde au sol	503 89 01-01	S.O.

<sup>6</sup> Ce système d'allumage par étincelles est conforme à la norme ICES-002 du Canada.



[www.husqvarna.com](http://www.husqvarna.com)

Original instructions  
Instrucciones originales  
Instructions d'origine

1142513-49



2020-10-20