

STRING TRIMMER / BRUSHCUTTER COMBO DISPLAY INSTRUCTIONS

ESSENTIAL EQUIPMENT

The following items are needed to set up the unit for display. These items will ship with the unit.

- **Two (2) double zip ties** - shipped in the hardware pack
- **One (1) long single zip tie** (an extra is provided) - shipped in the hardware pack
- **One (1) short single zip tie** - shipped in the small plastic bag
- **One (1) hanger cap** (Fig. 1) - one is included on each attachment
- **One (1) small plastic bag** containing the manual and other items for the consumer

Please contact your local area manager if there are any missing or damaged parts.



Fig. 1

STEP 1 – ASSEMBLE THE UNIT

1. Assemble the unit as a string trimmer.
2. Place the hanger cap from the string trimmer attachment inside the small plastic bag.

STEP 2 – POSITION THE ATTACHMENTS

1. Place the brushcutter boom under the string trimmer boom (Fig. 2).
2. Position the hanger cap on the brushcutter attachment just behind the handle (Fig. 2).
3. If necessary, adjust the position of the handle to the end of the safety label so the hanger cap and handle align properly (Fig. 2).

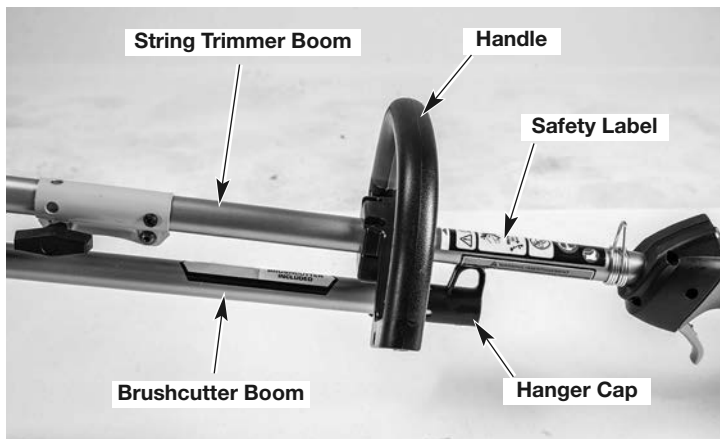


Fig. 2

STEP 3 – SECURE THE UPPER ZIP TIE

1. Using a long single zip tie, insert the zip tie through the hanger cap loop and then wrap it around the upper boom (just behind the handle) (Fig. 3).
2. Tighten the zip tie securely.

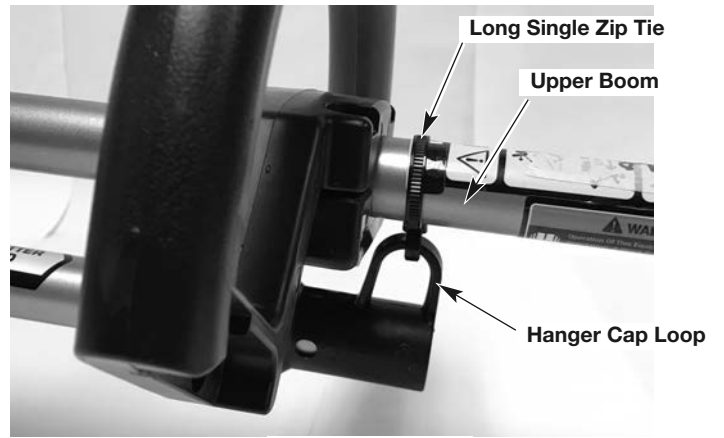


Fig. 3

STEP 4 - INSTALL THE LOWER ZIP TIE

1. Using a double zip tie, put one end of the zip tie around the brushcutter boom (next to the brushcutter gearbox) and the other end of the zip tie around the lower section of the string trimmer boom (Fig. 4).
2. Tighten both ends of the zip tie securely.

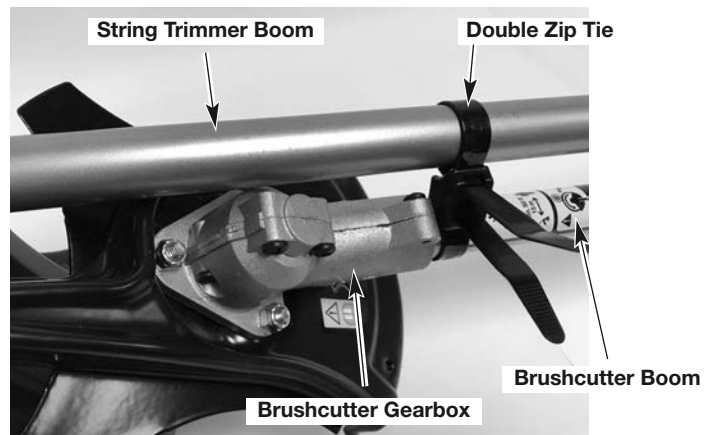
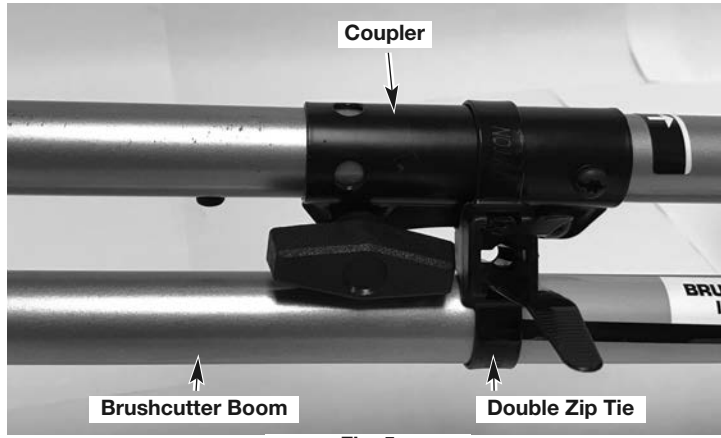


Fig. 4

STEP 5 - INSTALL THE CENTER ZIP TIE

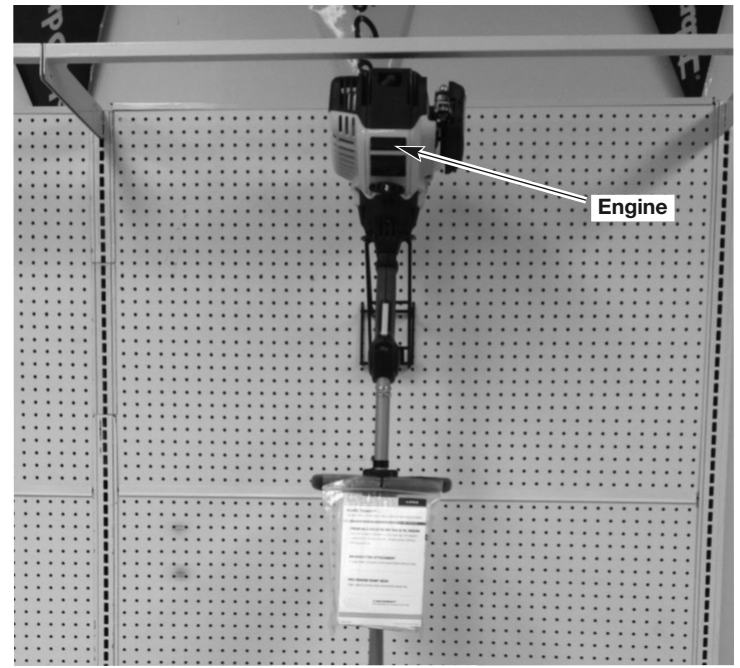
1. Using a double zip tie, put one end of the zip tie around the brushcutter boom and the other end of the zip tie around the coupler (Fig. 5).
2. Tighten both ends of the zip tie securely.

NOTE: The brushcutter attachment may shift slightly when the unit is moved, but the attachment should remain securely connected to the unit if the zip ties are properly tightened.



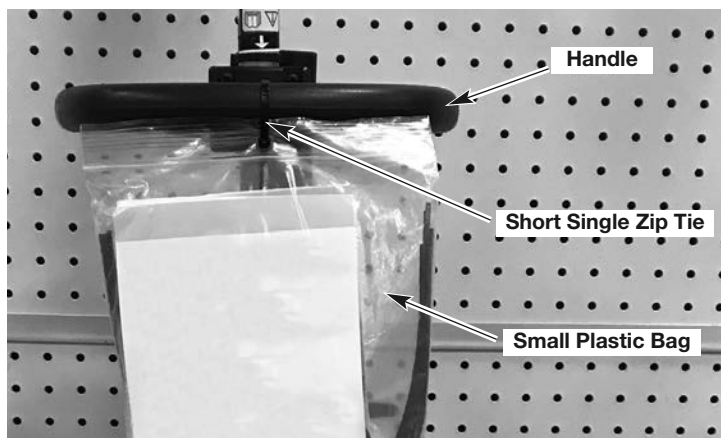
STEP 8 - POSITION THE UNIT FOR DISPLAY

Display the unit with the engine positioned toward the top (Fig. 7).



STEP 6 - ATTACH THE SMALL BAG

1. Using the short single zip tie, insert the zip tie through the hole in the small plastic bag and around the handle (Fig. 6).
2. Tighten the zip tie securely.



STEP 7 - TRIM THE SINGLE ZIP TIES

1. Trim the extra length of each single zip tie with a wire cutter.

NOTE: DO NOT trim the double zip ties.

NOTE: DO NOT trim the single zip ties too short. Leave about 1-2 inches of the zip tie length.