

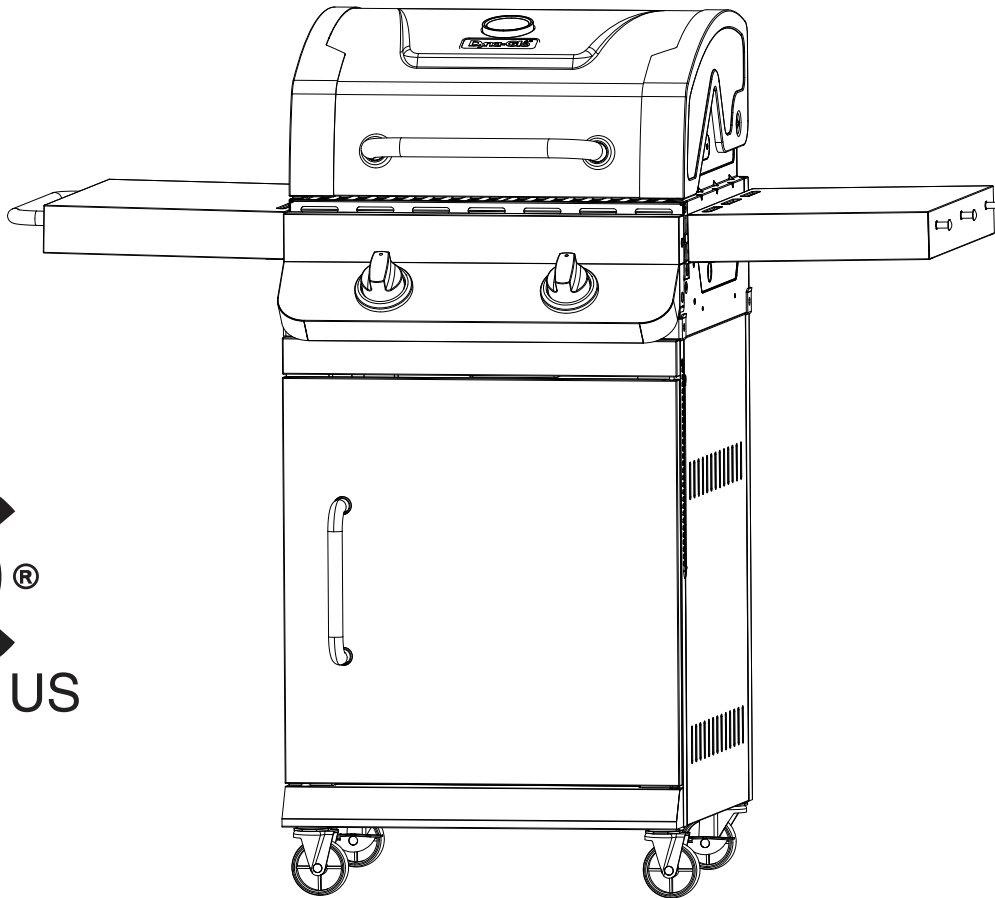


2 BURNER PREMIER NATURAL GAS GRILL

Model # DGP321SNN / DGP321SNN-D
DGP321CNN / DGP321CNN-D
DGP321GNN / DGP321GNN-D
DGP321MNN / DGP321MNN-D

Français p. 30

Español p. 59



ATTACH YOUR RECEIPT HERE

Serial Number _____ Purchase Date _____



Questions, problems, missing parts? Before returning to your retailer, call our customer service department at 1-877-447-4768, 8:00 a.m. – 4:30 p.m., CST, Monday – Friday or e-mail us at customerservice@ghpgroupinc.com.

TABLE OF CONTENTS

Safety Information	3
Package Contents	5
Hardware Contents	6
Preparation	6
Assembly Instructions	7
Operation Instructions	19
Care and Maintenance	21
Troubleshooting	24
Warranty	26
Replacement Parts List	27

Assembler/Installer: This manual contains important information necessary for the proper assembly and safe use of this appliance. Read and follow all warnings and instructions before assembling and using this appliance. **Leave these instructions with the consumer.**

Consumer/User: Follow all warnings and instructions when using this appliance.
Retain these instructions for future reference.

DANGER

If you smell gas:

1. Shut off gas to the appliance.
2. Extinguish any open flame.
3. Open lid.
4. If odor continues, keep away from the appliance and immediately call your local fire department.

WARNING

1. Do not store or use gasoline or other flammable liquids or vapors in the vicinity of this or any other appliance.
2. An LP (liquid propane) cylinder not connected for use shall not be stored in the vicinity of this or any other appliance.
3. This grill is for outdoor use only and shall not be used in a building, garage, under overhangs or any other enclosed area.
4. Do not leave a lit grill unattended. Keep children and pets away from the grill at all times.



SAFETY INFORMATION

Please read and understand this entire manual before attempting to assemble, operate or install the product. If you have any questions regarding the product, please call customer service at: 1-877-447-4768, 8:00 a.m. – 4:30 p.m., CST, Monday – Friday.

DANGER

- Do not use in an explosive atmosphere. Keep grill area clear and free from combustible materials, gasoline and other flammable vapors and liquids.

WARNING

This product and the fuels used to operate this product (liquid propane or natural gas), and the products of combustion of such fuels, can expose you to chemicals including benzene, which is known to the State of California to cause cancer and reproductive harm.

For more information go to www.p65Warnings.ca.gov

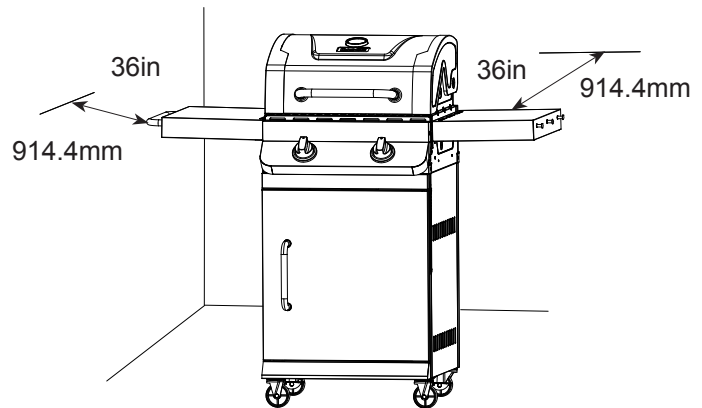
CAUTION

- Never use charcoal or lighter fluid with the grill.
- Do not use gasoline, kerosene or alcohol for lighting.
- This grill is not intended to be used in or installed on recreational vehicles and/or boats.
- Always open grill lid slowly and carefully as heat and steam trapped within the grill can burn you severely.
- Never attempt to operate this grill using propane.
- Always employ a qualified service agency to install all necessary natural gas supply plumbing, manual shutoff valve, and quick-connect fittings.

! WARNING

- Do not place the grill under overhead combustible construction or awnings. Minimum clearance from sides and back of unit to combustible construction, 36 inches (914.4mm) from sides and back.

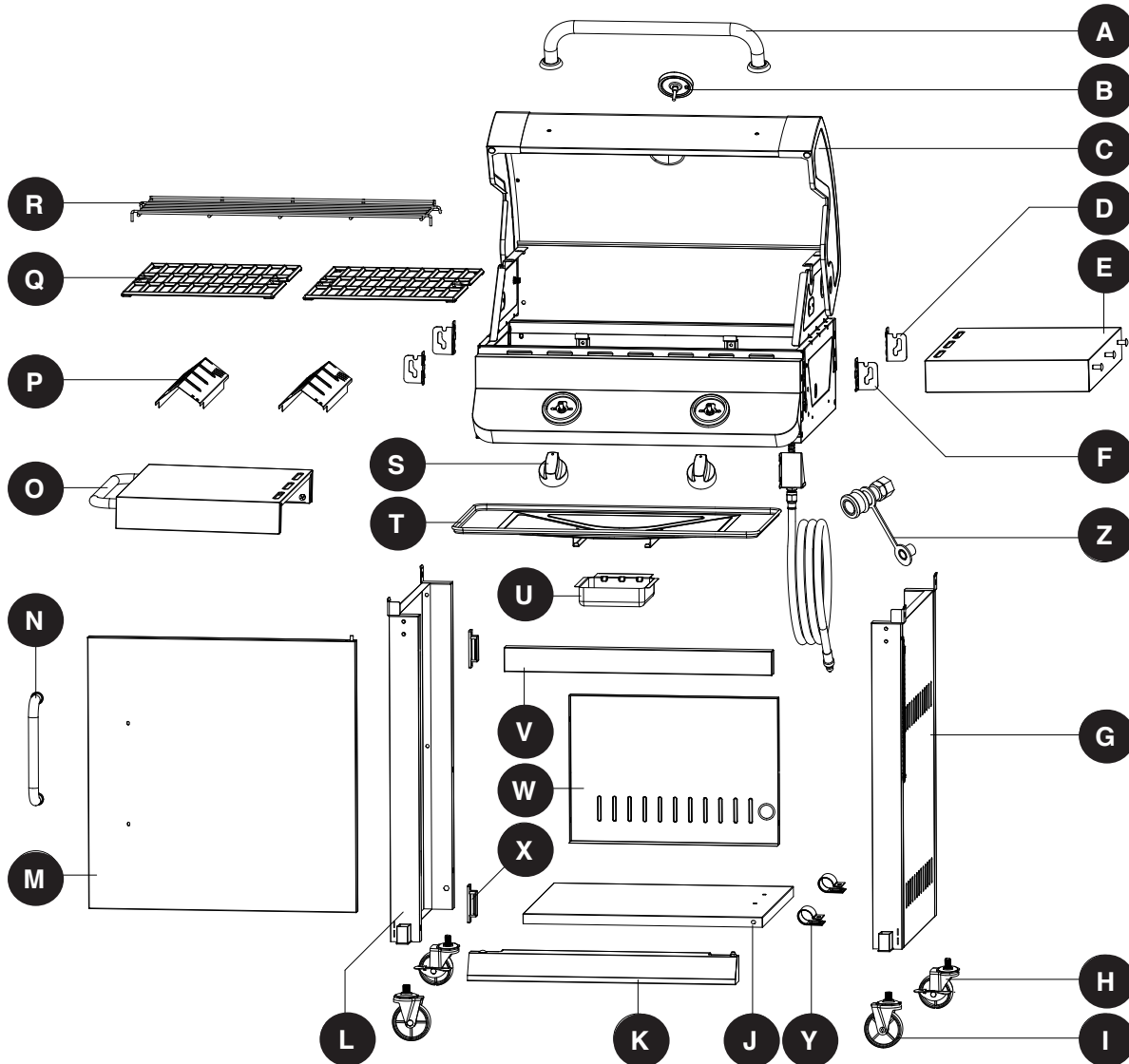
NOTE: The installation must conform with local codes or, in the absence of local codes, with either the National Fuel Gas Code, ANSI Z223.1/NFPA 54, Natural Gas and Propane Installation Code, CSA B149.1, or Propane Storage and Handling Code, B149.2.



! CAUTION

- Do not store or use gasoline or other flammable liquids or vapors in the vicinity of this or any other appliance. Do not store flammables inside the cart of the grill.
- An LP cylinder shall not be stored in the vicinity of this or any other appliance.
- This grill is for use with natural gas only.
- Never attempt to attach this grill to the self-contained propane system of a boat, camper trailer, motor home or house.
- Do not attempt to move the grill while it is lit or when it is hot. The casters should be locked when not moving the grill.
- Do not use the grill unless it is completely assembled and all parts are securely fastened and tightened.
- Keep all combustible items and surfaces at least 36 inches (91.44 cm) away from the grill at all times.
- Do not touch metal parts of grill until it has completely cooled (about 45 minutes) to avoid burns, unless you are wearing protective gear (pot holders, gloves, BBQ mittens, etc...).
- Do not alter this grill in any manner.
- Clean and inspect the hose before each use. If there is evidence of abrasion, wear, cuts, or leaks, the hose must be replaced prior to operating the appliance. The replacement hose assembly will be that which is specified by the manufacturer, listed in the repair parts list in this manual.
- Move gas hoses as far away as possible from hot surfaces and dripping hot grease. Never allow the gas hose to touch heated surfaces.
- Keep the grill's valve compartment, burners and circulating air passages clean. Inspect the grill before each use. Do not obstruct the flow of gas or ventilation air.
- The use of alcohol, prescription or non-prescription drugs may impair the operator's ability to properly assemble or safely operate the grill.
- **Do not leave a lit grill unattended. Keep children and pets away from the grill at all times.**
- Do not place this grill on any type of tabletop surface. The grill should be placed on a flat and level surface.
- Do not use the grill in high winds.

PACKAGE CONTENTS

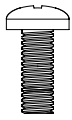


PART	DESCRIPTION	QTY
A	Hood Handle	1
B	Temperature Gauge	1
C	Grill Body Assembly	1
D	Side Shelf Bracket A	2
E	Right Side Shelf Assembly	1
F	Side Shelf Bracket B	2
G	Cart Right Side Panel Assembly	1
H	Locking Swivel Caster	2
I	Non-Locking Swivel Caster	2
J	Cart Bottom Panel Shelf	1
K	Bottom Panel Skirt Assembly	1
L	Cart Left Side Panel Assembly	1
M	Door Assembly	1

PART	DESCRIPTION	QTY
N	Door Handle	1
O	Left Side Shelf Assembly	1
P	Heat Tent	2
Q	Cooking Grate	2
R	Warming Rack	1
S	Control Knob	2
T	Grease Pan	1
U	Grease Cup	1
V	Upper Front Door Brace	1
W	Cart Rear Panel	1
X	Door Magnet	2
Y	Natural Gas Hose Holder	2
Z	Quick Disconnect Coupling	1

HARDWARE CONTENTS

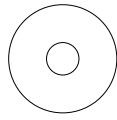
AA



M6x16
Bolt

Qty. 18

BB



M6
Plain
Washer

Qty. 2

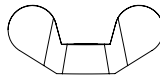
CC



M6
Spring
Washer

Qty. 2

DD



M6
Wing Nut

Qty. 2

EE



M6x35
Bolt

Qty. 4

FF



M3x10
Bolt

Qty. 4

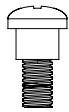
GG



M6x12
Flat Bolt

Qty. 8

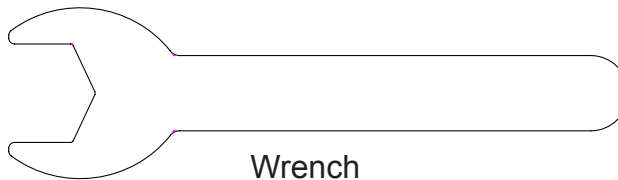
HH



Shoulder
Bolt

Qty. 4

II



Wrench

Qty. 1

JJ



M4x12
Bolt

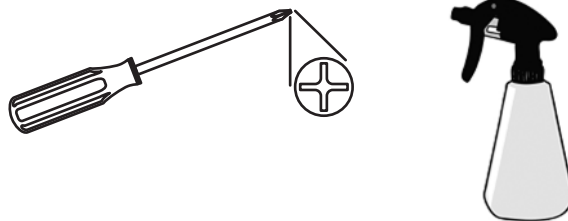
Qty. 2

PREPARATION

Before beginning assembly of product, make sure all parts are present. Compare parts with package contents list on previous page and hardware contents above. If any part is missing or damaged, do not attempt to assemble the product. Contact customer service for replacement parts.

Estimated Assembly Time: 50 minutes with 2 people.

Tools Required for Assembly and Leak Testing (not included): Phillips screwdriver, Spray bottle



⚠ CAUTION

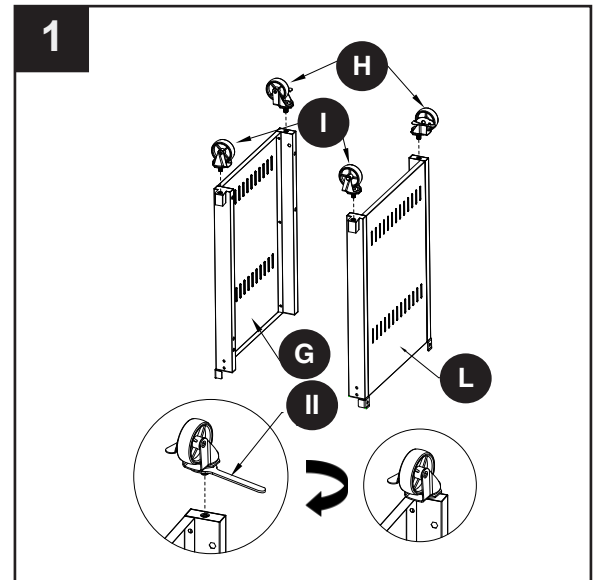
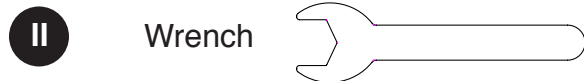
THIS UNIT IS HEAVY. Two people required for safe assembly.

Two people required for safe assembly. Some parts may contain sharp edges. Wear protective gloves if necessary. Read and follow all safety statements, warnings, assembly instructions and use and care instructions before attempting to assemble and use.

ASSEMBLY INSTRUCTIONS

1. Attach the two locking swivel casters (H) and the two non-locking swivel casters (I) to the cart left side panel assembly (L) and the cart right side panel assembly (G) with wrench (II).

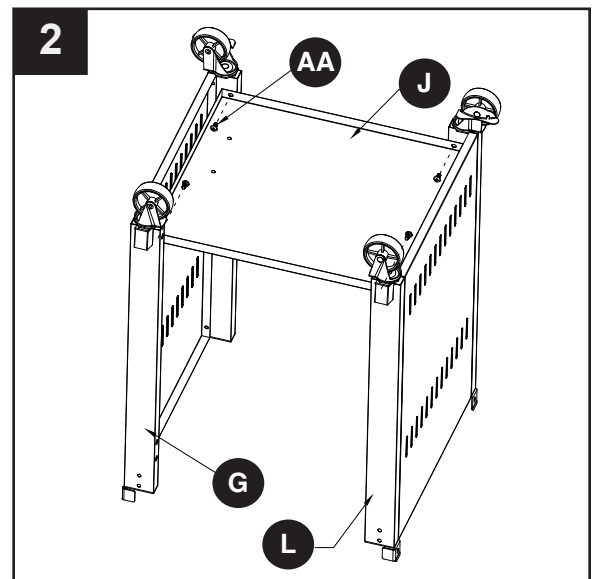
Hardware Used



2. Attach the cart left side panel assembly (L) and the cart right side panel assembly (G) to the cart bottom panel shelf (J) with four M6x16 bolts (AA).

DO NOT TIGHTEN BOLTS AT THIS TIME.

Hardware Used



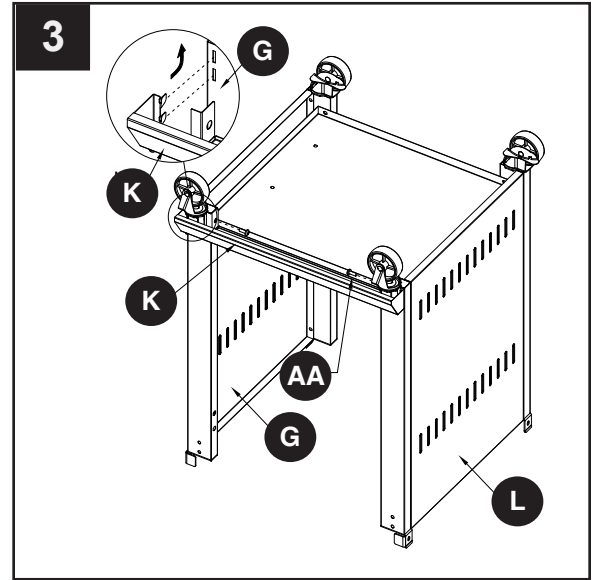
ASSEMBLY INSTRUCTIONS

- 3. Insert the hook on the bottom panel skirt assembly (K) into the slot on the cart left side panel assembly (L) and the cart right side panel assembly (G) as shown. Attach the bottom panel skirt assembly (K) to the cart left side panel assembly (L) and the cart right side panel assembly (G) with two M6x16 bolts (AA).

Tighten ALL bolts securely from step 2.

Hardware Used

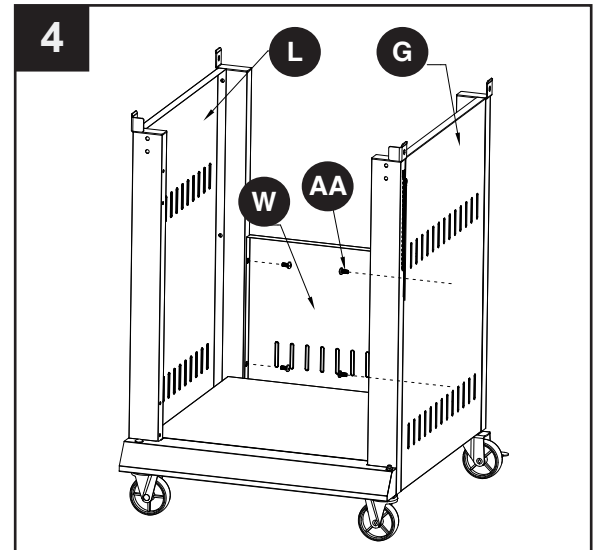
AA M6x16 Bolt  x 2



- 4. Attach the cart rear panel (W) to the cart left side panel assembly (L) and the cart right side panel assembly (G) with the four M6x16 bolts (AA).

Hardware Used

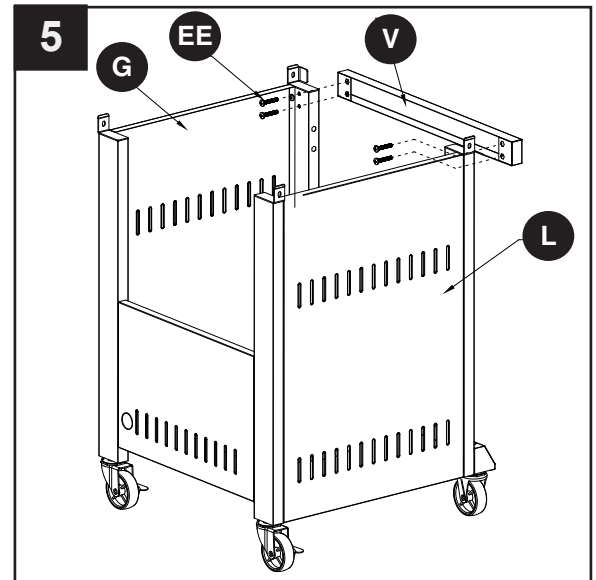
AA M6x16 Bolt  x 4



ASSEMBLY INSTRUCTIONS

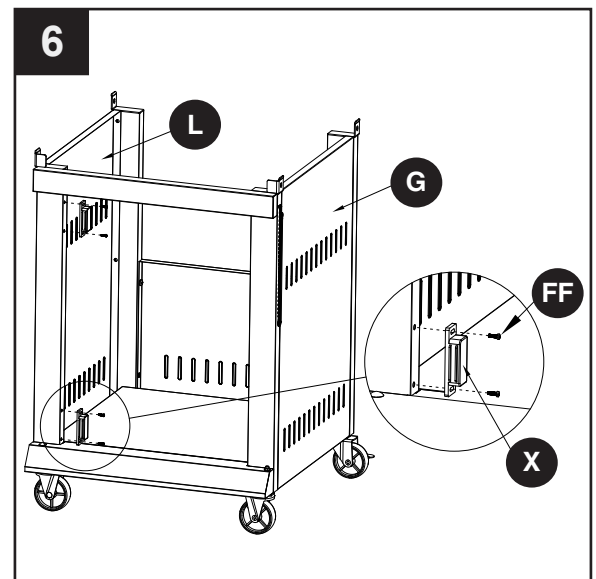
5. Attach the upper front door brace (V) to the cart left side panel assembly (L) and the cart right side panel assembly (G) with four M6x35 bolts (EE).

Hardware Used



6. Attach the door magnet (X) to the cart left side assembly (L) with four M3x10 bolts (FF).

Hardware Used

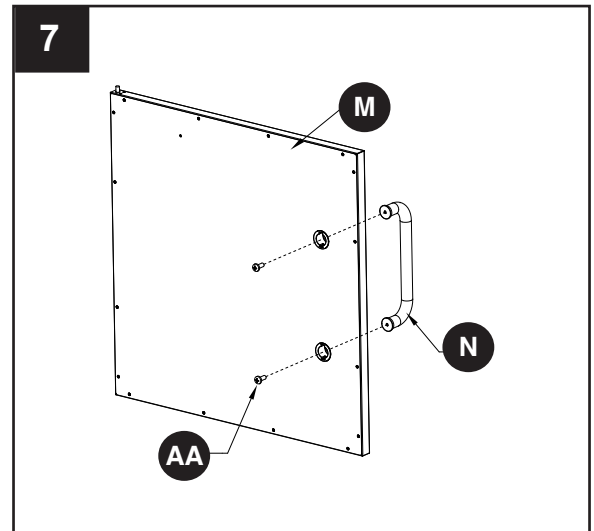


ASSEMBLY INSTRUCTIONS

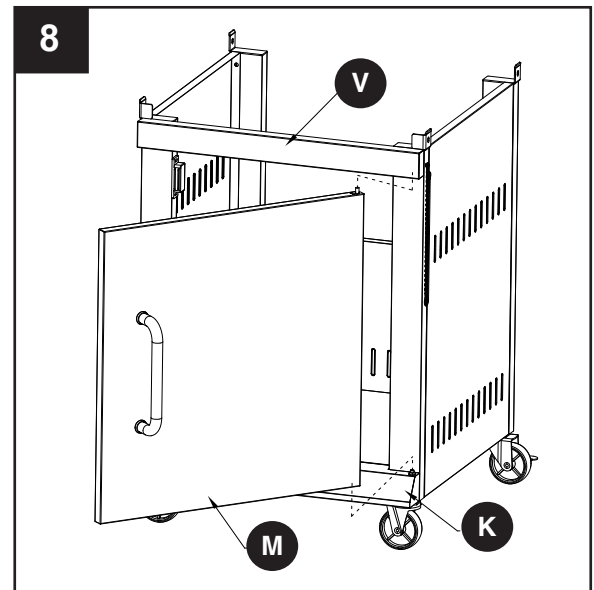
7. Attach the door handle (N) to the door assembly (M) with two M6x16 bolts (AA).

Hardware Used

AA M6x16 Bolt  x 2



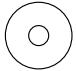


8. Insert the bottom hinge pin of the cart bottom panel skirt (K) into the lower hole on the door assembly (M), then press the upper door spring hinge pin into the hole on the upper front door brace (V) as shown.

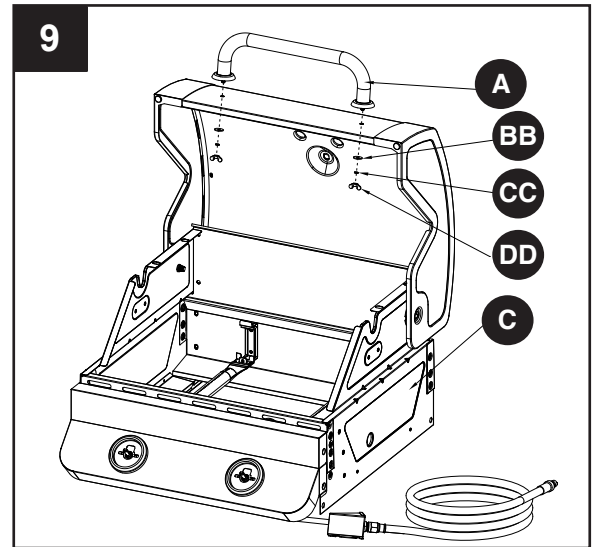


ASSEMBLY INSTRUCTIONS

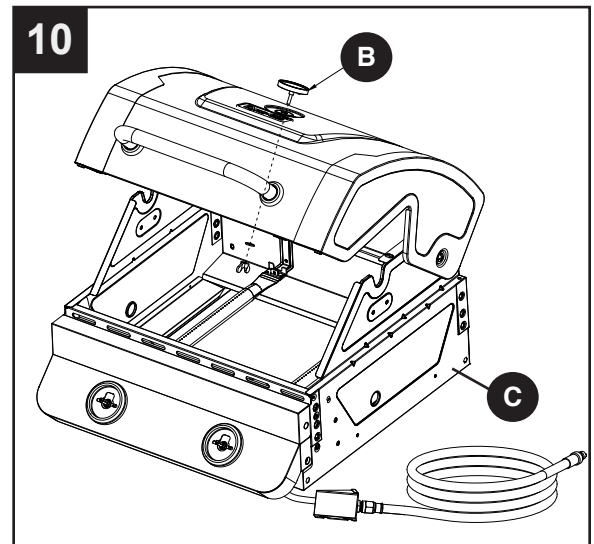
9. Attach the hood handle (A) to the grill body assembly (C) with two M6 wing nuts (DD), two M6 spring washers (CC) and two M6 plain washers (BB).

Hardware Used

BB	M6 Plain Washer		x 2
CC	M6 Spring Washer		x 2
DD	M6 Wing Nut		x 2



10. Remove pre-assembled wing nut and plain washer from the temp gauge (B), then attach the temp gauge (B) to the grill body assembly (C). Secure the temp gauge (B) with wing nut and plain washer removed earlier in this step.

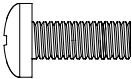


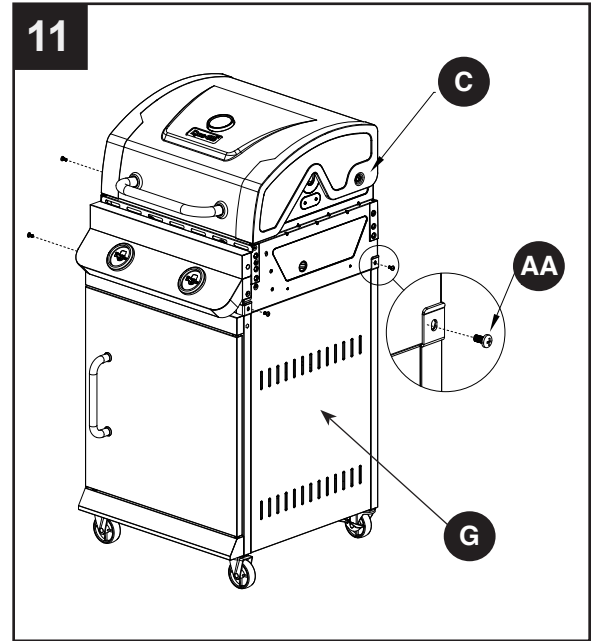
ASSEMBLY INSTRUCTIONS

11. Carefully place the grill body (C) onto cart left side panel assembly (L) and cart right side panel assembly (G). Adjust the grill body (C) so that the holes in the grill body (C) are aligned with holes in the tabs of cart left side panel assembly (L) and cart right side panel assembly (G).

Note: Make sure the natural gas hose is inside the cart. Secure the grill body (C) with four M6X16 screws (AA).

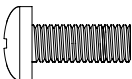
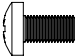
Hardware Used

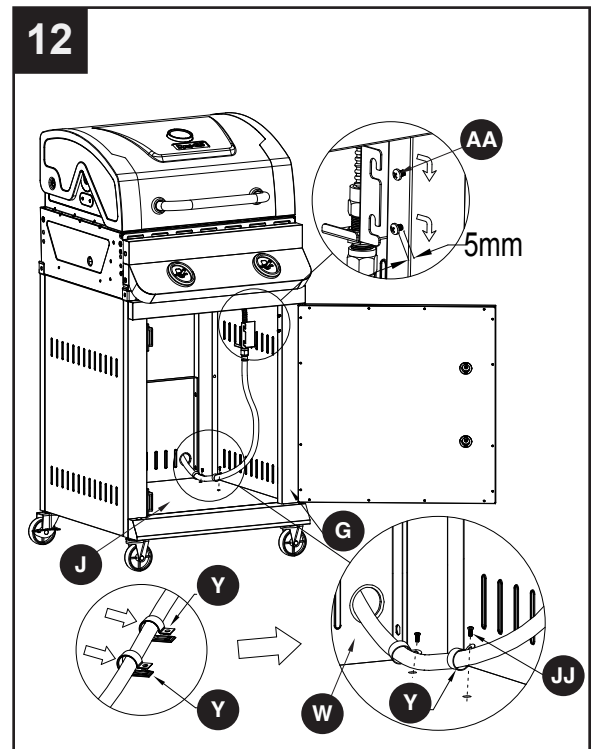
AA	M6x16 Bolt		x 4
-----------	------------	-----------------------------------------------------------------------------------	-----



12. Pre-assemble two M6x16 bolts (AA) onto the cart right side panel assembly (G) and do not tighten them. Make sure to leave a 5mm gap between the bolt and the panel. Hang the natural gas hose bracket onto the bolts and tighten the two bolts. Put two pieces natural gas hose holders (Y) in to the hose. Attach the natural gas hose holders (Y) to the bottom shelf (J) with two M4x12 bolts (JJ). NOTE: Make sure the natural gas hose exits through the hole in the cart rear panel (W).

Hardware Used

AA	M6x16 Bolt		x 2
JJ	M4x12 Bolt		x 2

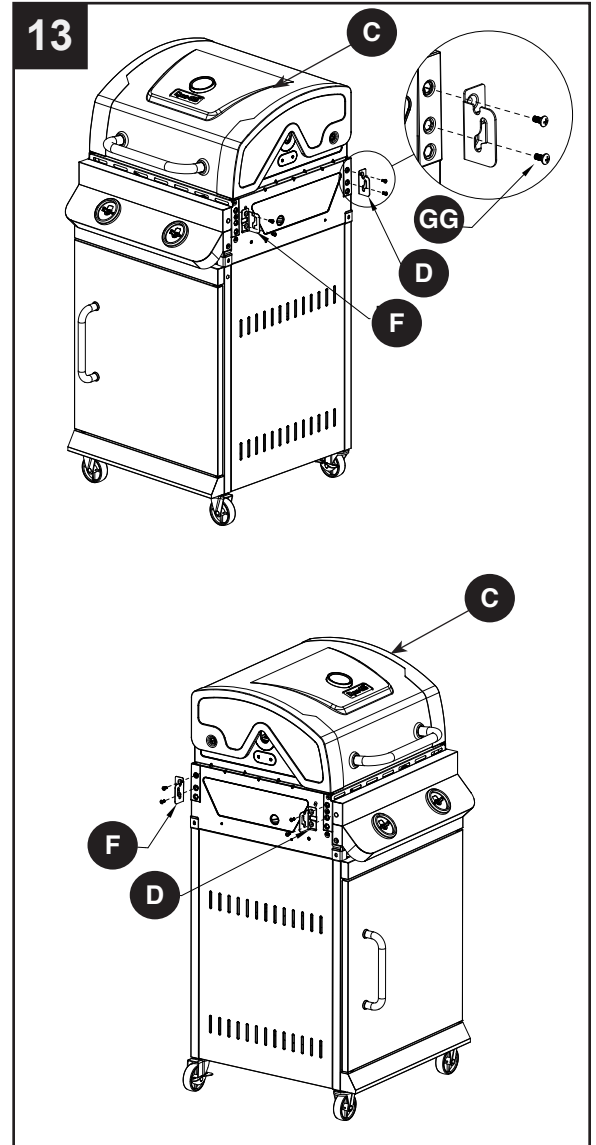


ASSEMBLY INSTRUCTIONS

13. Attach the side shelf bracket A (D) and side shelf bracket B (F) to the grill body assembly (C) with eight M6x12 flat bolts (GG).

Hardware Used

GG M6x12 Flat Bolt  x 8

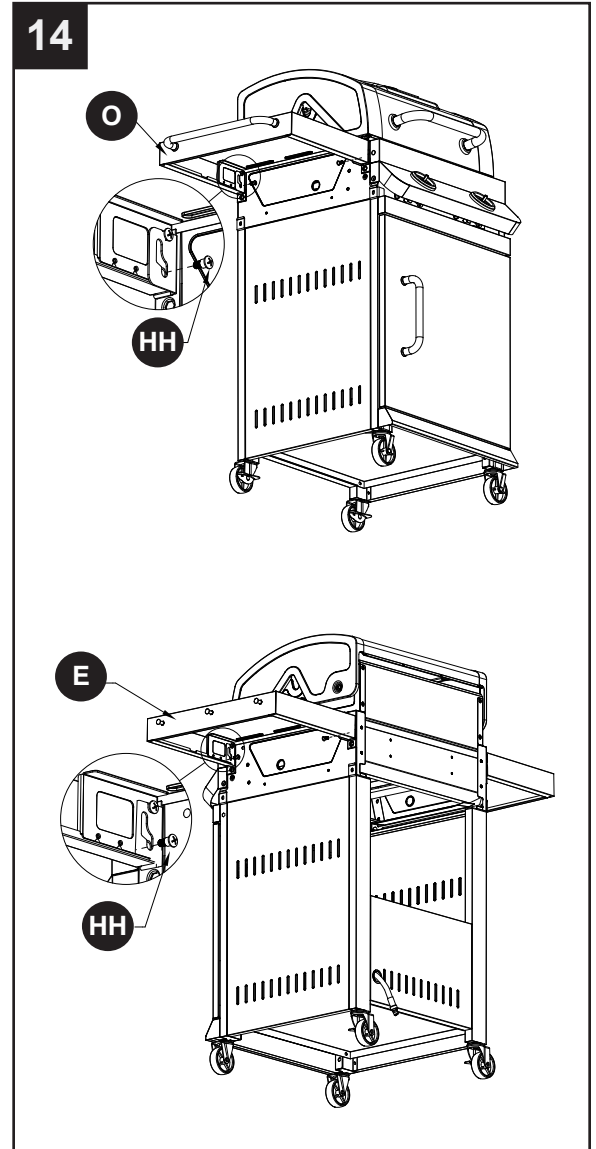


ASSEMBLY INSTRUCTIONS

14. Attach the left side shelf assembly (O) to the brackets installed at step 13 with two shoulder bolts (HH). Repeat it for right side shelf assembly (E).

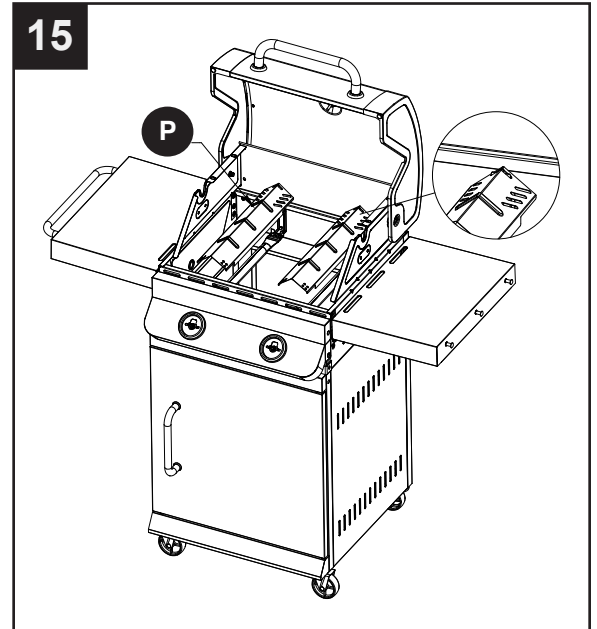
Hardware Used

HH Shoulder Bolt  x 4

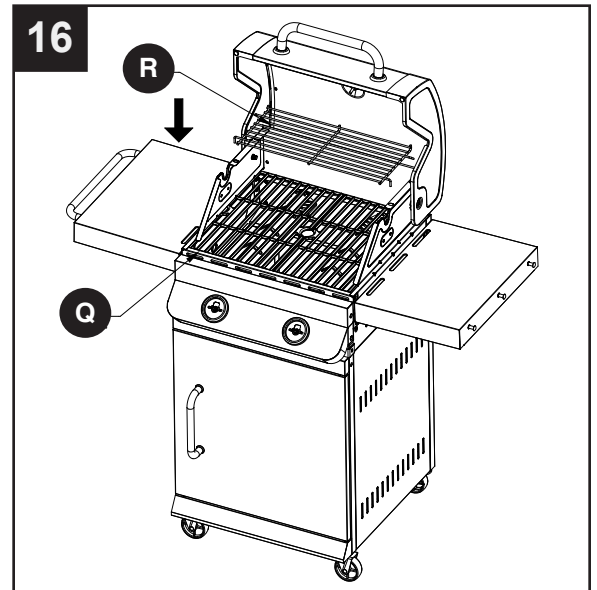


ASSEMBLY INSTRUCTIONS

15. Put two heat tents (P) in place over each burner.



16. Put two cooking grates (Q) and one warming rack (R) in place.

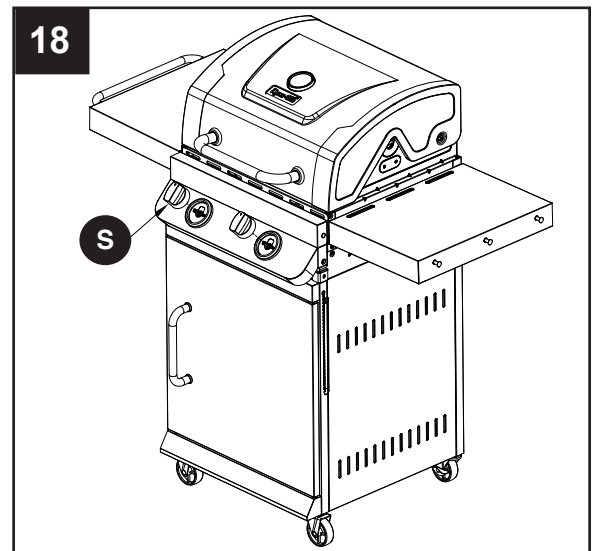


ASSEMBLY INSTRUCTIONS

17. Put the grease pan (T) and grease cup (U) into place.

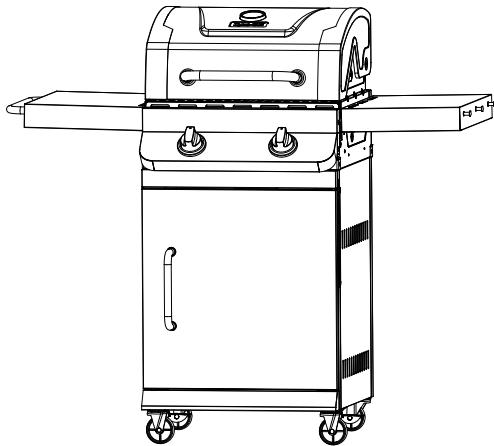


18. Assemble the two control knobs (S) to the valve stems.

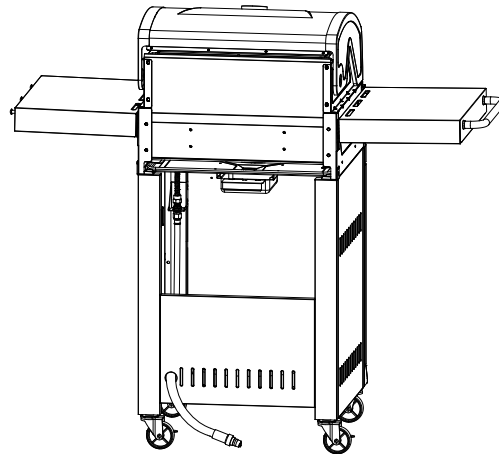


ASSEMBLY INSTRUCTIONS

Fully Assembled



Front View



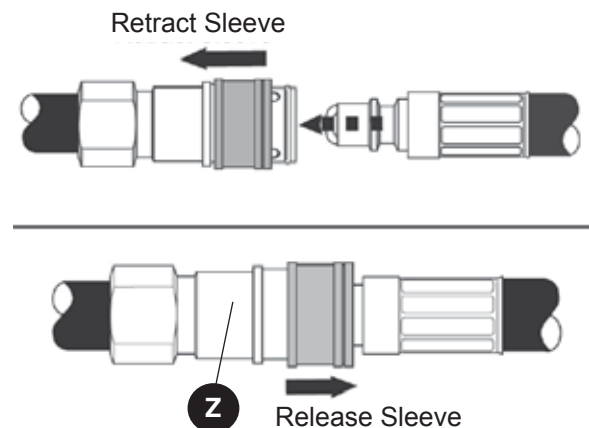
Rear View

CONNECTING THE GRILL TO THE NATURAL GAS SUPPLY

- The quick disconnect socket (Z) and supply gas line must be installed by a qualified service agency. The supply connection must be made in accordance with local codes or, in the absence of local codes, with either the National Fuel Gas Code, ANSI Z223.1/NFPA 54, in the USA, or the Natural Gas and Propane Installation Code, CSA B149.1, in Canada.
- A properly sized manual shut-off valve must be installed between the grill and the gas supply piping.
- The grill and its individual shut-off valve must be disconnected from the gas supply piping system during any pressure testing of that system at test pressures in excess of 0.5 PSI (3.5 kPa).
- The grill must be isolated from the gas supply piping system by closing its individual manual shut-off valve during any pressure testing of the gas supply piping system at test pressures equal to or less than 0.5 PSI (3.5 kPa).
- Always connect the flexible gas supply hose to the gas supply before opening the manual shut-off valve.

TO CONNECT:

1. Ensure that the natural gas shut-off valve is closed.
2. Remove the protective rubber caps from the plug and sleeve ends of the quick disconnect fittings. Check that the fittings are clean.
3. Retract the sleeve on the coupling as illustrated.
4. Insert the plug and release the sleeve as illustrated.
5. Push the plug into the sleeve until the sleeve snaps forward to lock the plug in the coupling.
6. Open the natural gas shut-off valve.



TO DISCONNECT:

1. Close natural gas supply at shut-off valve.
2. Push the sleeve back and gently pull out the plug.
3. Replace the protective rubber caps on the plug and sleeve ends of the quick disconnect couplings.

⚠ WARNING

In the connection process, make sure:

- The gas supply hose does not come in contact or remain in contact with the firebox.

CHECKING FOR LEAKS

After all connections are made, check all connections and fittings on the natural gas quick connector, gas hose and manifold for leaks with a water and soap solution.

To prevent fire or explosion while testing for a leak:

- Always perform leak test prior to lighting the grill.
- Do not smoke while testing for a leak.
- Always perform leak tests outdoors in a well-ventilated area.
- Do not use any source of flame while testing for leaks.
- Do not use the grill until any and all leaks are corrected.
- If you are unable to correct a leak, close the natural gas shut-off and call a gas appliance service agency.

PERFORM LEAK TEST

- Prepare leak test solution by combining 1 part liquid dish soap with 3 parts water. Total solution required is approximately 2 - 3 ounces (70 - 90 ml). Put leak test solution in a spray bottle.
- Ensure all control knobs are in the 'OFF' position.
- Connect the gas hose to the gas supply.
- Open the gas shut-off valve.
- Spray leak test solution on all gas carrying connections and fittings. Presence of bubbles at areas of applied test solution indicates a gas leak. If leaks are detected or you smell or hear gas, shut off the gas supply valve immediately and repair or replace the defective part. Do not use the grill until all leaks are corrected.

⚠ CAUTION

Only use the hose assembly provided! If a replacement is necessary, please call our customer service center. Do not use replacement parts that are not intended for this grill.

⚠ WARNING

ALL INSTRUCTIONS AND SAFEGUARDS ON THIS PAGE MUST BE FOLLOWED TO PREVENT FIRE, DAMAGE AND/OR INJURY.

OPERATION INSTRUCTIONS

Lighting The Grill

Before first use:






Remove all hangings or plastic straps, if present. Before you cook on your new gas grill, it is important to clean your grill with heat. To do this, operate the grill for approximately 15 minutes with the lid closed and the control knob in the highest position. This will clean the internal parts by burning off any residue and odor from the manufacturing process.


CAUTION

If the flame extinguishes accidentally during ignition or operation, immediately **TURN OFF** the natural gas shut-off valve and then **TURN OFF** the control knob.

WARNING

Do not lean over grill when lighting. Read instructions before lighting. Do not put pots on the sear side burner. Using pots on the sear side burner will result in high carbon monoxide levels.

1. Check that the control knobs are in the  OFF position.
2. Open natural gas supply at shut-off valve.
3. Open the lid during the lighting process.
4. Depress and turn the control knob  counter-clockwise from the  OFF position, past the  ignite position, to the  HIGH position. You may need to repeat this several times to ignite the burner.

If ignition does not occur in 5 seconds, turn the control knob(s) to the  OFF position, wait 5 minutes, and repeat the lighting procedure.

If the burner still does not light, check that the natural gas shut-off valve is open and follow the match lighting instructions. Check the Troubleshooting Guide on page 24 for more information.

OPERATION INSTRUCTIONS

LIGHTING THE GRILL WITH A MATCH

1. Open the lid.
2. Insert a match in the end of the match holder that is installed on the inside of the cabinet door.
3. Light the match.
4. Immediately place the lit match through the spaces in the grill gates near the ports of the burner between the heat tents as shown. Make sure the lit match is close to the burner ports.
5. Press in the control knob that operates the burner and rotate ↺ counter-clockwise to 🔥 High position and burner should light immediately.
6. Repeat 2~5 steps to lighting the remaining burners.
7. Adjust burners to desired cooking settings.

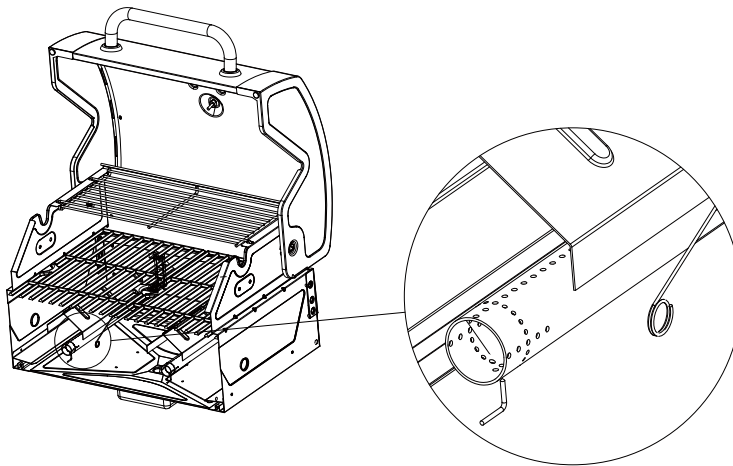
⚠ CAUTION

Make sure all burners controls are off except for the burner being lit and the burners that have been lit.

⚠ WARNING

If ignition does not occur in 5 seconds, turn the control knob(s) to "O" OFF position, wait 5 minutes, and repeat the lighting procedure.

Main Burner Match Lighting



SHUTDOWN INSTRUCTIONS

1. Turn control knobs ↻ clockwise to the ○ OFF position.
2. Close natural gas shut-off valve.
3. Close lid.

Turn off natural gas shut-off valve when appliance is not in use.

CARE AND MAINTENANCE

Cooking Grates

The best time to 'burn-off' the cooking grates is after every use (approx. 15 minutes). The grill is already hot from cooking thus requiring less fuel to obtain necessary temperature for 'burn-off'.

To 'burn off' or heat clean your grill, turn the burners to highest position and run for 15 minutes with the lid closed. Then turn off the burners and use a wire brush to clean excess food residue from the grates.

The porcelain grates have an enamel finish (similar to glass) and should be handled with care not to chip.

⚠ CAUTION

Ensure the grill is cool before cleaning and conducting maintenance and with the gas supply turned off at the natural gas shut-off valve.

Recommended Cleaning Supplies

Mild liquid dish soap, warm water, nylon cleaning pad, wire brush

DO NOT use cleaners that contain acid, mineral spirits or any abrasive substance.

Outside Surfaces

It is recommended to use only mild dish soap and hot water to clean grill and grill parts. Rinse with warm water.

Inside Bottom Pan of Grill Body

To avoid flare-ups, the bottom pan of the cooking box should be kept clean on a regular basis. Remove residue using a brush, scraper and/or cleaning pad. Wash with mild dish soap and warm water. Rinse with warm water. Avoid water splashing into venturi tubes of burners.

Heat Tents

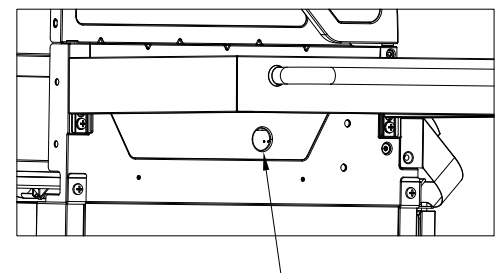
Clean residue with wire brush and wash with mild dish soap and warm water. Rinse with warm water.

Grease Cup

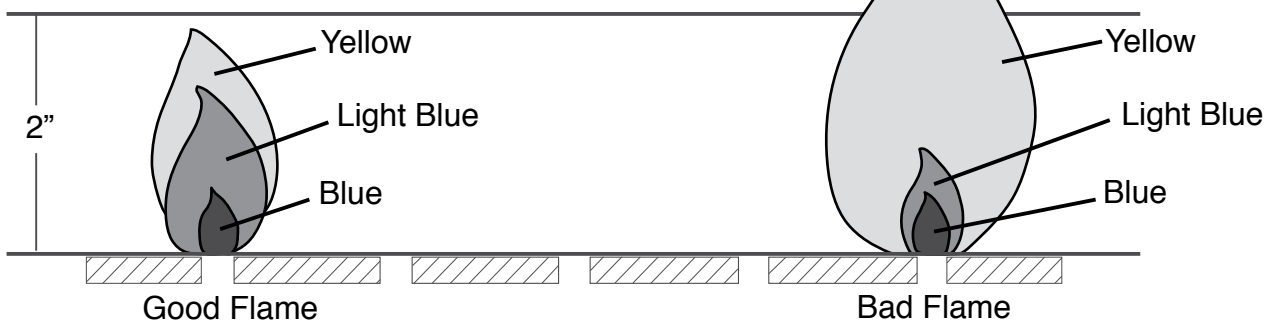
Empty the grease cup and clean with mild dish soap and warm water on a regular basis.

Checking The Flame

For maximum fuel efficiency and cooking performance, flame should be a blue-yellow color and be between 1- 2 inches high. To check the flame, view the flame through the holes in both sides of the firebox.



Hole for viewing the flame



CARE AND MAINTENANCE

Burner Assembly

Removing The Burner Assembly

1. Make sure all control knobs are in the OFF position, gas supply valve is closed, and the gas hose is disconnected from the gas supply.
2. Open lid and remove warming rack, cooking grates, and heat tents.
3. Remove hinge pin as illustrated in Figure 1.
4. Slide main burners out of firebox.
5. Detach ignition wire from electrode in Figure 2.

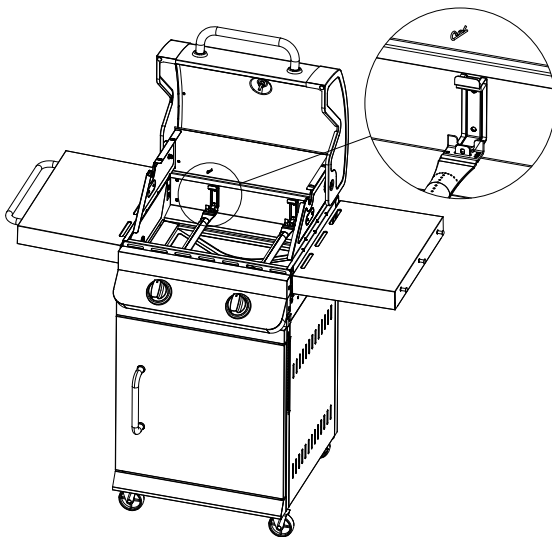
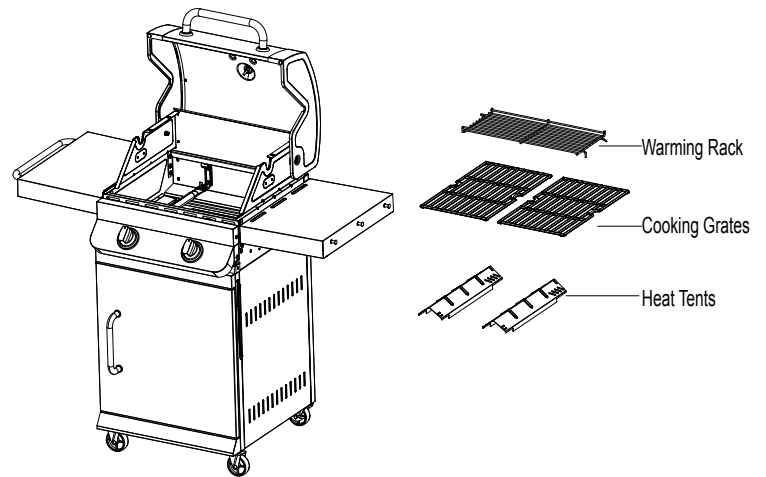


Figure 1

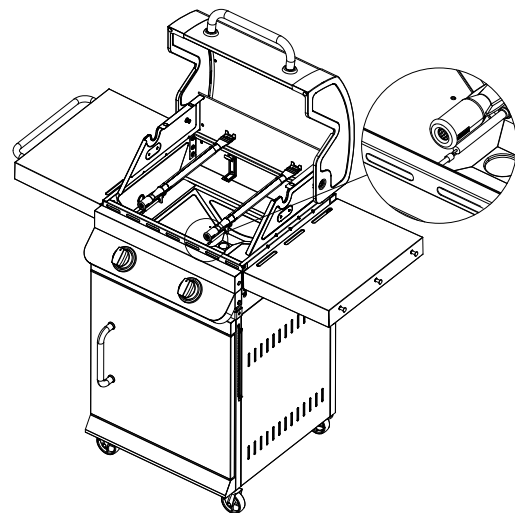


Figure 2

CARE AND MAINTENANCE

Cleaning the Burner Assembly

– Make sure the grill is cool

1. Ensure all burner ports are clear of clogs. Use of a pin or paper clip works well.
2. Ensure burner is free of any damage. If damage is found, replace with new burner.
3. Ensure the end of the burner and primary air screen are clear from insect nests, dirt or debris.

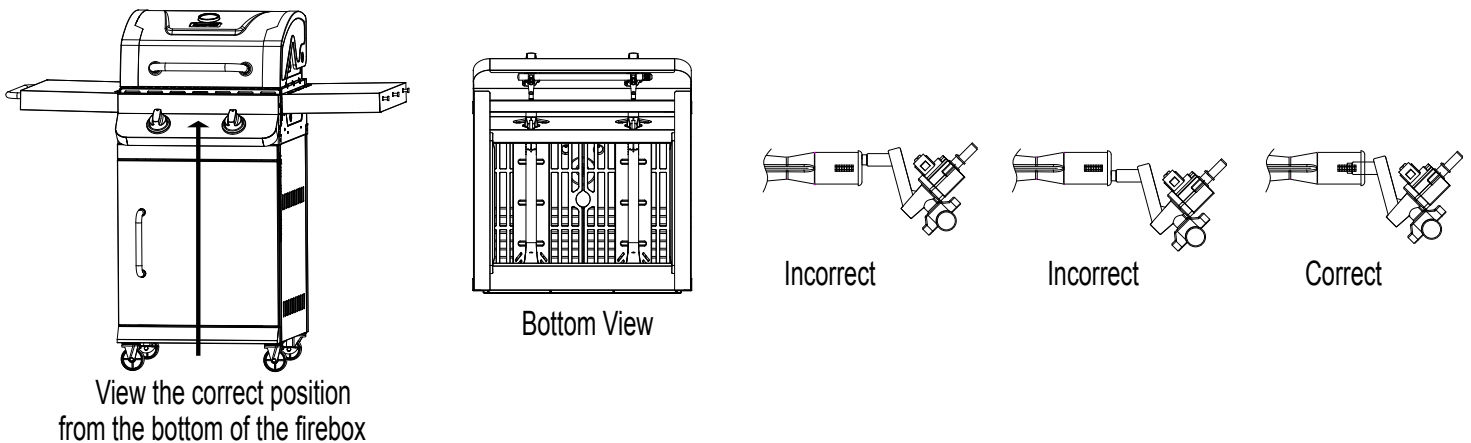
Re-installing the Burner

Ensure that gas valve orifices are correctly positioned inside burner inlet (venturi).

The use of a flashlight may be necessary to ensure the correct position.

It is recommended to view the correct position through the firebox vent holes as illustrated below.

Reattach each burner with the hinge pin and reattach the ignition wire to electrode.



⚠ WARNING

If the instructions above are not followed, a fire or explosion may result, possibly causing serious bodily injury or death.

Other Care and Maintenance

It is recommended that inspection and service on this appliance be conducted annually by a qualified service person.

It is recommended that you always check that the outdoor cooking appliance area is clear and free from combustible material, gasoline and other flammable vapors and liquids before lighting.

It is recommended that you regularly check that the flow of combustion and ventilation air is not obstructed.

It is recommended that you regularly check that the ventilation openings of the grill cabinet are free and clear from debris.

It is recommended that you regularly check and clean the burner/venturi tubes for insects and insect nests. A clogged tube can lead to a fire beneath the grill.

TROUBLESHOOTING

If you have any questions regarding the product, please call customer service at 1-877-447-4768, 8:00 a.m. – 4:30 p.m., CST, Monday – Friday.

PROBLEM	POSSIBLE CAUSE	CORRECTIVE ACTION
The burner will not light using the ignitor procedure (weak or no spark being generated).	<ol style="list-style-type: none">1. The igniter electrode may be covered with grease or residue.2. The igniter electrode may have a loose or disconnected wire.3. Cracked or broken ignition electrode.	<ol style="list-style-type: none">1. Clean the ignitor electrode.2. Check the connection and reconnect any loose or disconnected wires.3. Replace ignition electrode (see Replacement Parts List).
Low Heat.	<ol style="list-style-type: none">1. Insufficient gas pressure to the unit.	<ol style="list-style-type: none">1. Call a qualified service agency to check the gas supply pressure and correct the pressure.
Excessive Flare Ups.	<ol style="list-style-type: none">1. Grease and/or residue build-up on heat tents or in firebox.2. Excessive dripping of fat or marinade from food.3. Cooking temperature too high.	<ol style="list-style-type: none">1. Clean the grill components.2. Trim the fat from meat and use non-oil based marinades.3. Lower temperature accordingly.

TROUBLESHOOTING

PROBLEM	POSSIBLE CAUSE	CORRECTIVE ACTION
<p>The burner will not light with a match</p>	<ol style="list-style-type: none"> 1. Match not reaching burners (when holding match with hand). 2. Gas supply shut off. 3. Poor connection between gas hose plug fitting and sleeve coupling. 4. Burner inlet blocked. 	<ol style="list-style-type: none"> 1. Use match holder found in cabinet door. 2. Check that the natural gas supply shut-off valve is open. 3. Turn off the grill knobs, close the gas supply shut-off valve and check the connection between the plug and sleeve coupling. Disconnect and reconnect, if necessary. 4. Clean the burner inlet (venturi) and burner as described by the Care and Maintenance section in the manual.
<p>No gas flow or an obstructed gas flow</p>	<ol style="list-style-type: none"> 1. Gas supply shut off. 2. Poor connection between gas hose plug fitting and sleeve coupling. 3. Burner inlet blocked. 	<ol style="list-style-type: none"> 1. Check that the natural gas supply shut-off valve is open. 2. Turn off the grill knobs, close the gas supply shut-off valve and check the connection between the plug and sleeve coupling. Disconnect and reconnect, if necessary. 3. Clean the burner inlet (venturi) and burner as described by the Care and Maintenance section in the manual.

LIMITED WARRANTY

1-Year Limited Warranty

This natural gas grill is warranted for 1 year (5 years on the Stainless Steel burners) against broken or damaged parts at the time of purchase. It is warranted to be free of defects. Paint is warranted to be free of defects except for rust, which may appear after repeated use.

This warranty does not cover damage or issues related to neglect, abuse, or modifications to the appliance. Repair labor is not covered.

All parts that meet the warranty requirements will be shipped at no charge via the discretion of the manufacturer (ground shipments, US Mail, or Parcel Post ONLY). Any special handling charges (i.e. Second Day, overnight, etc.) will be the responsibility of the consumer.

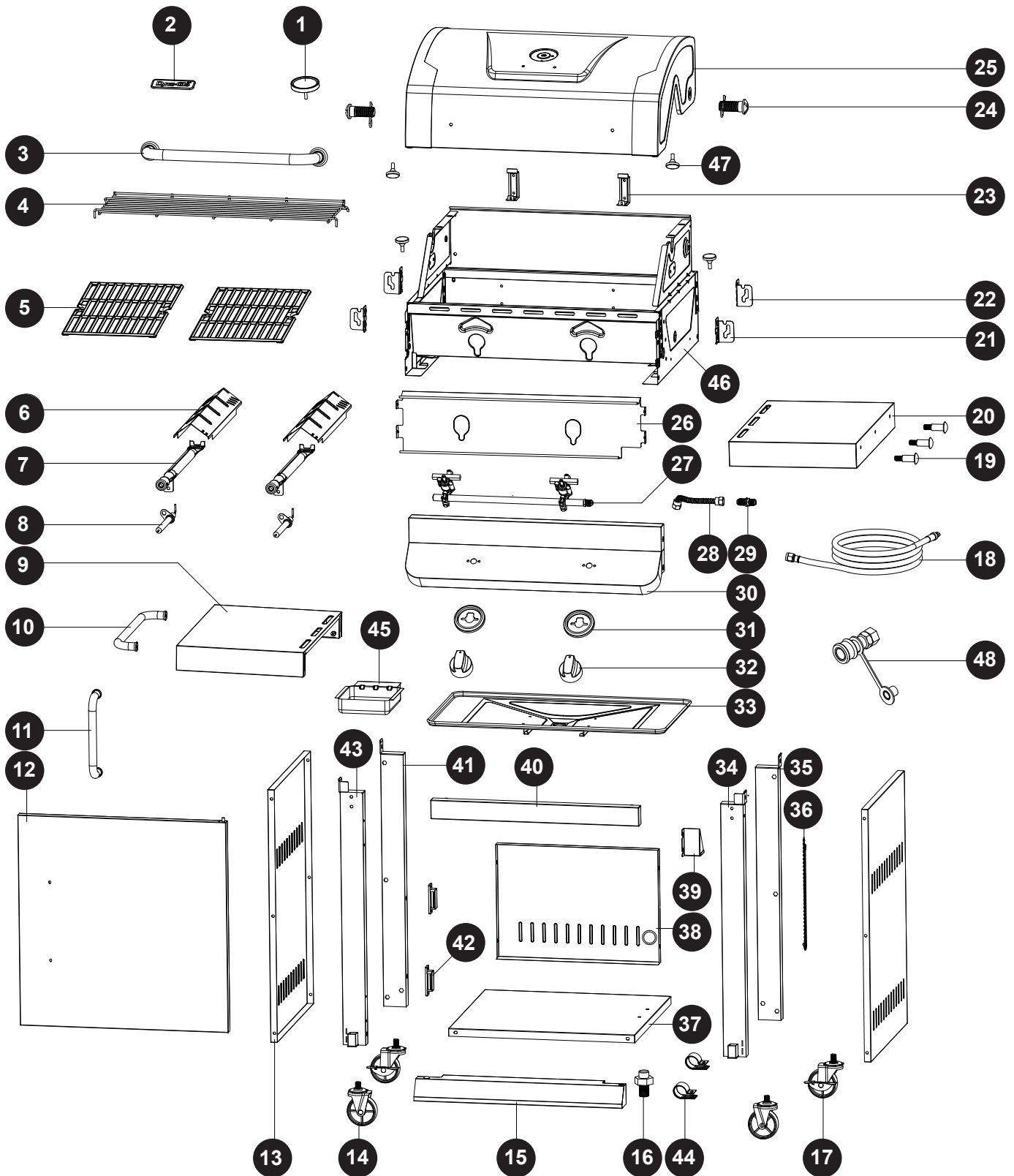
All warranty claims apply only to the original purchaser and require a proof of purchase verifying purchase date. Do not return parts without first obtaining a return authorization number from our customer service. This service is available by calling toll free 1-877-447-4768, 8:00 a.m. – 4:30 p.m., CST, Monday – Friday.

NOTICE: Some states do not allow the exclusion or limitation of incidental or consequential damages or limitations on how long an implied warranty lasts, so the above limitations or exclusions may not apply to you. This warranty gives you specific legal rights and you may also have other legal rights which may vary from state to state.

GHP Group Inc.
6440 W. Howard Street
Niles, IL, USA
60714-3302

Item Name: 2 Burner Premier Natural Gas Grill
Model #: DGP321SNN / DGP321SNN-D / DGP321CNN / DGP321CNN-D
DGP321GNN / DGP321GNN-D / DGP321MNN / DGP321MNN-D
Main burner total rated BTU: 24,000 BTU/Hr

REPLACEMENT PARTS LIST



REPLACEMENT PARTS LIST

For replacement parts, call our customer service department at 1-877-447-4768, 8:00 a.m. – 4:30 p.m., CST, Monday – Friday.

PART	DESCRIPTION	PART #
1	Temp gauge assembly	70-01-786
2	Badge	70-10-540
3	Hood handle	70-01-853
4	Warming rack	70-01-854
5	Cooking grate	70-01-855
6	Heat tent	70-01-791
7	Main burner with clip (NG)	70-02-477
8	Main burner sparker	70-01-793
9	Left side table assembly	70-01-859
10	Towel handle	70-01-795
11	Door handle	70-01-797
12	Door assembly - DGP321SNN-D/DGP321SNN - Stainless	70-01-862
	Door assembly - DGP321CNN-D/DGP321CNN - Black	70-01-863
	Door assembly - DGP321GNN-D/DGP321GNN - Gunmetal	70-01-864
	Door assembly - DGP321MNN-D/DGP321MNN - Mocha	70-01-865
13	Cart side panel	70-01-803
14	Non-locking swivel caster	70-01-805
15	Bottom panel skirt assembly	70-02-401
16	Door axis	70-01-809
17	Locking swivel caster	70-01-806
18	Natural gas hose (3/8")	70-02-484
19	Tool hooks	70-01-823
20	Right side table assembly	70-01-874
21	Side shelf bracket A	70-01-875
22	Side shelf bracket B	70-01-876
23	Main burner heat tent support	70-01-833
24	Hood hinge (with nut, washer and clip)	70-01-827
25	Hood assembly - DGP321SNN-D/DGP321SNN - Stainless Steel	70-01-879
	Hood assembly - DGP321CNN-D/DGP321CNN - Black	70-01-880
	Hood assembly - DGP321GNN-D/DGP321GNN - Gunmetal	70-01-881
	Hood assembly - DGP321MNN-D/DGP321MNN - Mocha	70-01-882
26	Control panel heat shield	70-01-883
27	Main valves and manifold assembly (NG)	70-02-544
28	Corrugated hose assembly	70-01-836
29	Connector	70-01-886
30	Control Panel - DGP321SNN-D/DGP321SNN, DGP321GNN-D/DGP321GNN, DGP321MNN-D/DGP321MNN - Stainless Steel	70-01-887
	Control Panel - DGP321CNN-D/DGP321CNN - Black	70-01-888

REPLACEMENT PARTS LIST

For replacement parts, call our customer service department at 1-877-447-4768, 8:00 a.m. – 4:30 p.m., CST, Monday – Friday.

PART	DESCRIPTION	PART #
31	Control knob bezel	70-01-184
32	Control knob	70-01-185
33	Grease pan	70-01-891
34	Cart right front leg tube	70-02-407
35	Cart right rear leg tube	70-01-893
36	Match holder with chain	70-01-846
37	Cart bottom panel shelf	70-02-489
38	Cart rear panel	70-02-490
39	Natural gas hose bracket	70-01-897
40	Upper front door brace	70-01-898
41	Cart left rear leg tube	70-01-899
42	Door magnet	70-01-807
43	Cart left front leg tube	70-02-404
44	Natural gas hose holder	70-02-480
45	Grease cup	70-01-844
46	Firebox assembly	70-01-904
47	Lid bumper	70-01-832
48	Quick disconnect coupling	70-02-479
AA-JJ	Hardware pack	70-09-546

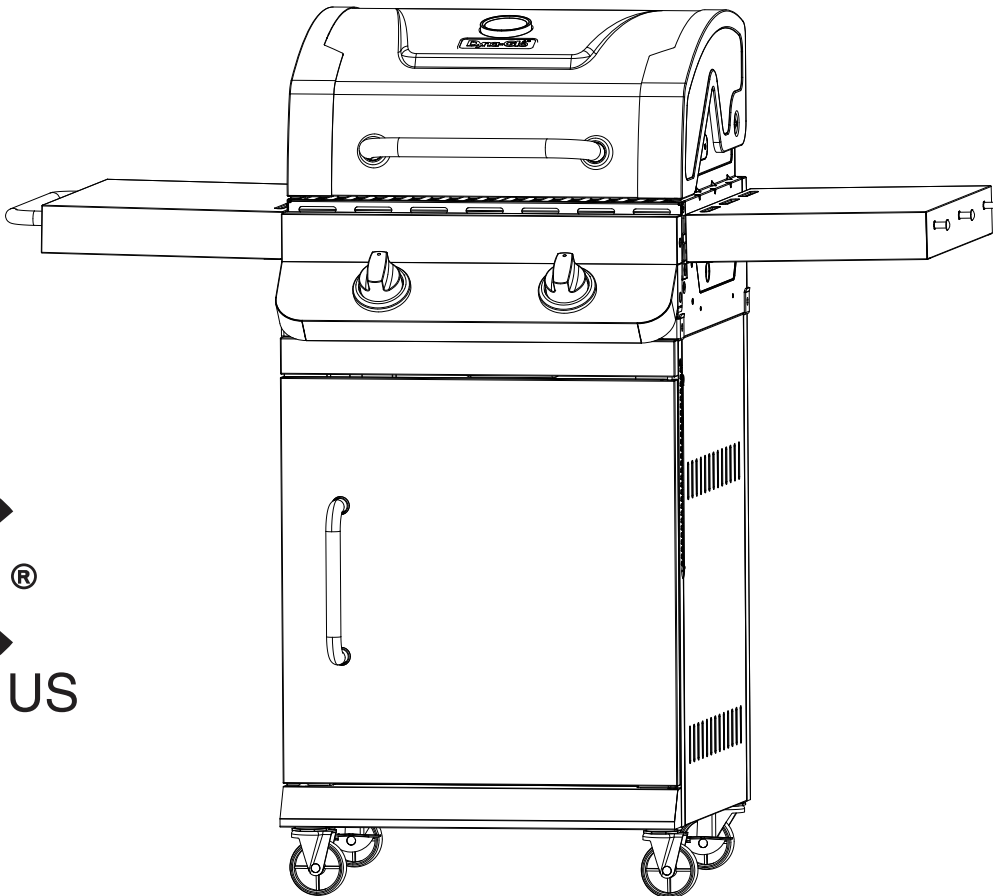
Dyna-Glo®

BARBECUE AU GAZ NATUREL DE PREMIÈRE QUALITÉ À DEUX BRÛLEURS

N° de modèle DGP321SNN / DGP321SNN-D
DGP321CNN / DGP321CNN-D
DGP321GNN / DGP321GNN-D
DGP321MNN / DGP321MNN-D

English p. 1

Español p. 59



AGRAFEZ VOTRE FACTURE ICI

Numéro de série _____ Date d'achat _____



Questions, problèmes, pièces manquantes? Avant de retourner l'article au détaillant, appelez notre service à la clientèle au 1 877 447-4768, entre 8 h et 16 h 30 (HNC), du lundi au vendredi, ou envoyez un courriel à customerservice@ghpgroupinc.com.

TABLE DES MATIÈRES

Informations relatives à la sécurité	32
Contenu de l'emballage	34
Quincaillerie fournie	35
Préparation	35
Instructions d'assemblage	36
Instructions de fonctionnement	48
Entretien et maintenance	50
Dépannage	53
Garantie	55
Liste des pièces de rechange	56

Assembleur/installateur : Ce guide contient des informations importantes nécessaires au bon assemblage et à l'utilisation sécuritaire de cet appareil. Veuillez lire les avertissements et suivre toutes les instructions avant d'assembler et d'utiliser cet appareil. **Laissez ces instructions au consommateur.**

Consommateur/utilisateur : Veuillez respecter tous les avertissements et toutes les instructions en utilisant cet appareil.
Veillez conserver ces instructions pour consultation future.

DANGER

Si vous sentez une odeur de gaz :

- 1. Coupez l'admission de gaz de l'appareil.**
- 2. Éteignez toute flamme nue.**
- 3. Ouvrez le couvercle.**
- 4. Si l'odeur persiste, éloignez-vous de l'appareil et appelez immédiatement le service d'incendie local.**

AVERTISSEMENT

- 1. N'entreposez pas et n'utilisez pas d'essence ou d'autres liquides ou vapeurs inflammables à proximité de cet appareil ou de tout autre appareil.**
- 2. Une bouteille de propane liquide qui n'est pas raccordée en vue de son utilisation ne doit pas être entreposée dans le voisinage de cet appareil ou de tout autre appareil.**
- 3. Ce barbecue est pour utilisation extérieure uniquement et ne doit pas être utilisé dans un bâtiment, un garage ou aucun autre espace fermé ou sous une structure similaire.**
- 4. Ne laissez pas le barbecue sans surveillance pendant qu'il est allumé. Gardez les enfants et les animaux domestiques loin du barbecue en tout temps.**

INFORMATIONS RELATIVES À LA SÉCURITÉ

Veillez lire et comprendre le présent guide avant de tenter d'assembler, d'utiliser ou d'installer le produit. Si vous avez des questions concernant le produit, veuillez appeler le service à la clientèle au : 1 877 447-4768, entre 8 h et 16 h 30 (HNC), du lundi au vendredi.

DANGER

- N'utilisez pas cet appareil dans une atmosphère explosive. Assurez-vous que l'espace autour du barbecue est dégagé et ne contient pas de matières inflammables, d'essence ou d'autres liquides ou vapeurs inflammables.

AVERTISSEMENT

Ce produit et les combustibles utilisés pour le faire fonctionner (propane liquide ou gaz naturel), de même que les produits de leur combustion, peuvent vous exposer à des substances chimiques comme le benzène, reconnu par l'État de la Californie comme causant le cancer et des problèmes de reproduction.

Pour plus de renseignements, visitez le www.p65Warnings.ca.gov

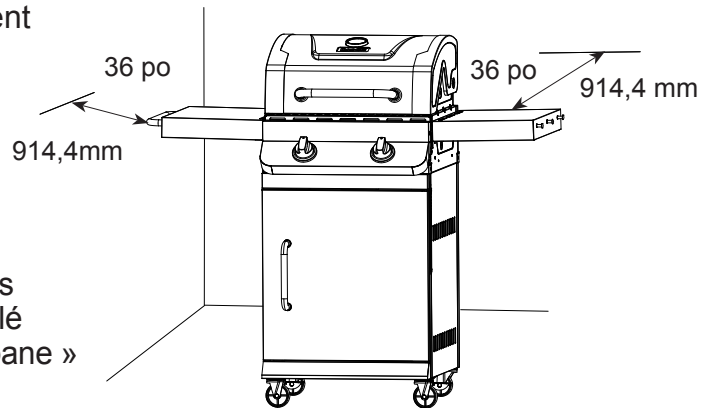
MISE EN GARDE

- N'utilisez pas d'essence, de kérosène ni d'alcool pour l'allumage.
- Ce barbecue n'est pas destiné à être utilisé ou installé sur un véhicule récréatif ou un bateau.
- Ouvrez toujours le couvercle du barbecue lentement et avec précaution, car la chaleur et la vapeur emprisonnées qui s'en échappent peuvent causer des brûlures graves.
- N'essayez jamais de faire fonctionner ce barbecue avec du propane.
- Demandez toujours à un service d'entretien autorisé d'installer toute la tuyauterie d'alimentation en gaz nécessaire, la vanne d'arrêt manuel et les raccords à branchement rapide.

! AVERTISSEMENT

- Ne placez pas le barbecue sous des constructions inflammables ou des auvents. Le dégagement minimum entre l'appareil, sur les côtés et à l'arrière, et les constructions inflammables est de 36 po (914,4 mm).

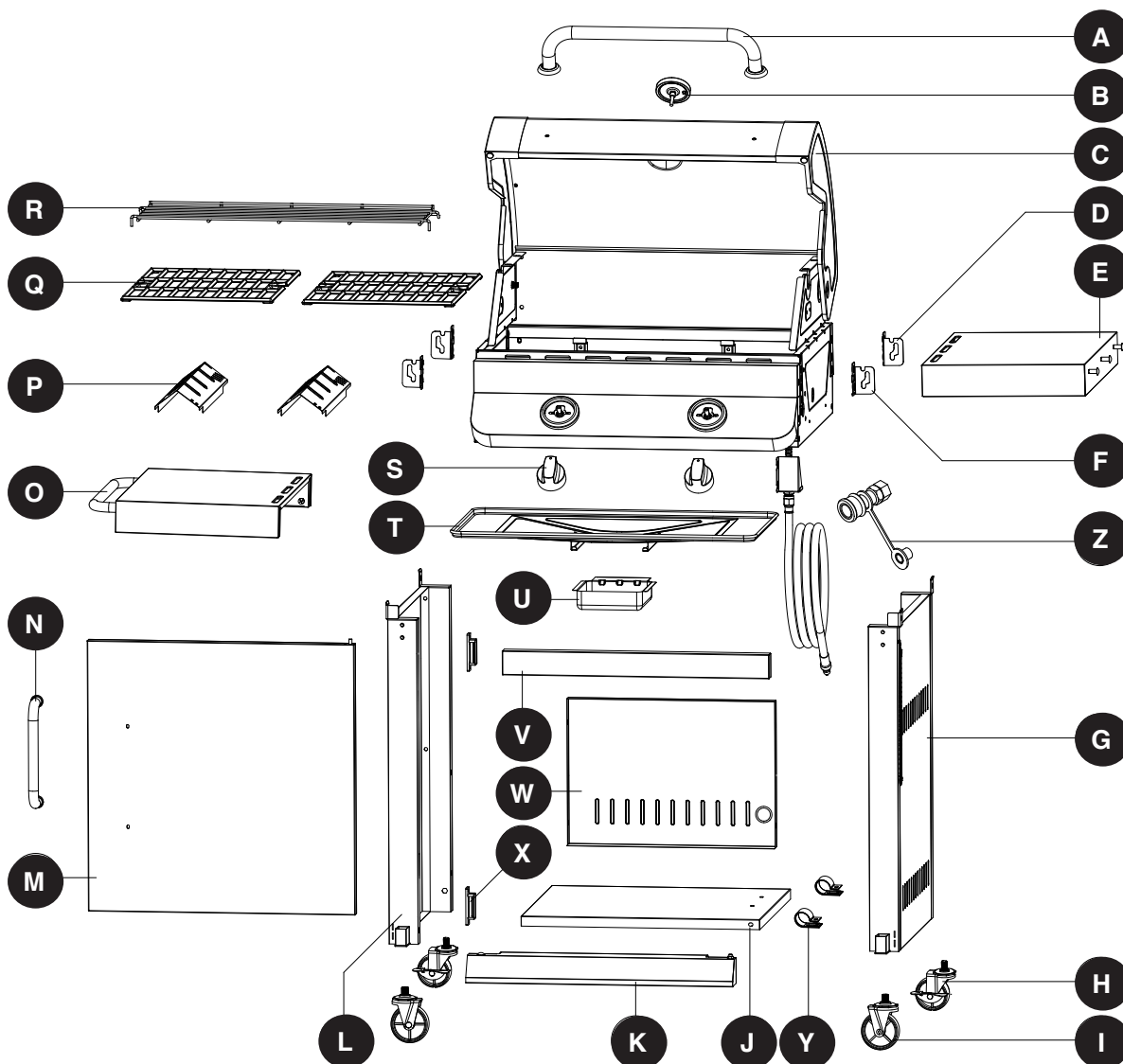
REMARQUE : L'installation doit être conforme aux codes locaux ou, en l'absence de codes locaux, au code ANSI Z223.1/NFPA 54 intitulé « National Fuel Gas Code » (code national des gaz combustibles), au code CSA B149.1 intitulé « Code d'installation du gaz naturel et du propane » ou au code CSA B149.2 intitulé « Code sur le stockage et la manipulation du propane ».



! MISE EN GARDE

- Ne pas entreposer ni utiliser de l'essence ni d'autres vapeurs ou liquides inflammables dans le voisinage de l'appareil, ni de tout autre appareil. Ne rangez aucun produit inflammable dans le chariot du barbecue.
- Une bouteille de propane liquide ne doit pas être entreposée à proximité de cet appareil ou de tout autre appareil.
- Ce barbecue est conçu pour être utilisé uniquement avec du gaz naturel.
- Ne tentez jamais de raccorder ce barbecue au système autonome d'alimentation en gaz propane d'un bateau d'une caravane, d'une autocaravane ou d'une résidence.
- Ne tentez jamais de déplacer le barbecue lorsqu'il est allumé ou toujours chaud. Verrouillez toujours les roulettes avec frein lorsque vous ne déplacez pas le barbecue.
- N'utilisez pas le barbecue tant qu'il n'est pas complètement assemblé et tant que toutes les pièces ne sont pas fixées et serrées solidement.
- Maintenez tout objet ou toute surface combustible à une distance d'au moins 91,44 cm (36 po) du barbecue, et ce, en tout temps.
- Ne touchez pas les éléments en métal du barbecue avant que celui-ci ne soit complètement refroidi (environ 45 minutes) afin d'éviter les brûlures, à moins d'utiliser des articles de protection (poignées, gants, mitaines pour le barbecue, etc.).
- Ne modifiez ce barbecue d'aucune façon.
- Nettoyez et inspectez le tuyau avant chaque utilisation. Si vous constatez des signes d'abrasion ou d'usure, ou s'il est coupé ou qu'il fuit, il est important de le remplacer avant de faire fonctionner l'appareil. Vous devez utiliser l'ensemble de tuyau de remplacement précisé par le fabricant, lequel est indiqué dans la liste des pièces de rechange de ce manuel.
- Éloignez les tuyaux à gaz le plus loin possible des surfaces chaudes ou des débordements de graisse chaude.
- Assurez-vous que le compartiment du robinet du barbecue, ses brûleurs et les conduits d'aération sont toujours propres. Inspectez le barbecue avant chaque utilisation. N'entravez pas le flux de gaz ou d'air de la ventilation.
- L'alcool, les médicaments sous ordonnance et les médicaments vendus sans ordonnance peuvent affecter les facultés de l'utilisateur, l'empêchant d'assembler ce barbecue correctement ou de l'utiliser de manière sécuritaire.
- **Ne laissez pas un barbecue allumé sans surveillance. Gardez le barbecue hors de la portée des enfants et des animaux en tout temps.**
- Ne le placez pas sur une table. Placez le barbecue sur une surface plane.
- N'utilisez pas ce barbecue dans des conditions de grands vents.

CONTENU DE L'EMBALLAGE

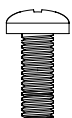


PIÈCE	DESCRIPTION	QTÉ
A	Poignée du couvercle	1
B	Jauge de température	1
C	Bâti du barbecue	1
D	Support de tablette latérale A	2
E	Tablette latérale droite	1
F	Support de tablette latérale B	2
G	Panneau droit du chariot	1
H	Roulette à blocage	2
I	Roulette sans blocage	2
J	Tablette du panneau inférieur du chariot	1
K	Jupe du panneau inférieur	1
L	Panneau gauche du chariot	1
M	Porte	1

PIÈCE	DESCRIPTION	QTÉ
N	Poignée de porte	1
O	Tablette latérale gauche	1
P	Plaque de rayonnement	2
Q	Grille de cuisson	2
R	Grille d'attente	1
S	Bouton de commande	2
T	Plateau à graisse	1
U	Récupérateur de graisse	1
V	Support supérieur de porte	1
W	Panneau arrière du chariot	1
X	Aimant de porte	2
Y	Attache de tuyau de gaz naturel	2
Z	Raccord pour déconnexion rapide	1

QUINCAILLERIE FOURNIE

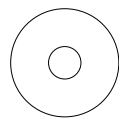
AA



Boulon
M6 x 16 mm

Qté. 18

BB



Rondelle
plate
M6

Qté. 2

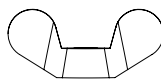
CC



Rondelle
élastique
M6

Qté. 2

DD



Écrou à
oreilles
M6

Qté. 2

EE



Boulon
M6 x 35 mm

Qté. 4

FF



Boulon
M3 x 10 mm

Qté. 4

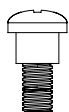
GG



Boulon plat
M6 x 12 mm

Qté. 8

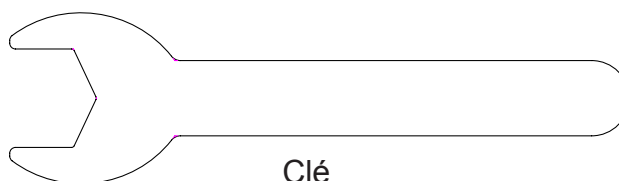
HH



Boulon à
épaulement

Qté. 4

II



Clé

Qté. 1

JJ



Boulon
M4 x 12 mm

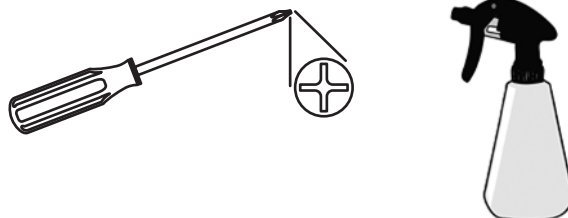
Qté. 2

PRÉPARATION

Avant de commencer l'assemblage du foyer, assurez-vous d'avoir toutes les pièces. Comparez les pièces à la liste de contenu de l'emballage et de quincaillerie à la page précédente. Si des pièces sont manquantes ou défectueuses, n'essayez pas d'assembler le produit. Veuillez communiquer avec le service à la clientèle afin d'obtenir des pièces de rechange.

Estimation du temps d'assemblage : 50 minutes, à deux personnes.

Outils nécessaires pour l'assemblage et l'essai d'étanchéité (non compris) : Tournevis cruciforme, flacon pulvérisateur.



⚠ MISE EN GARDE

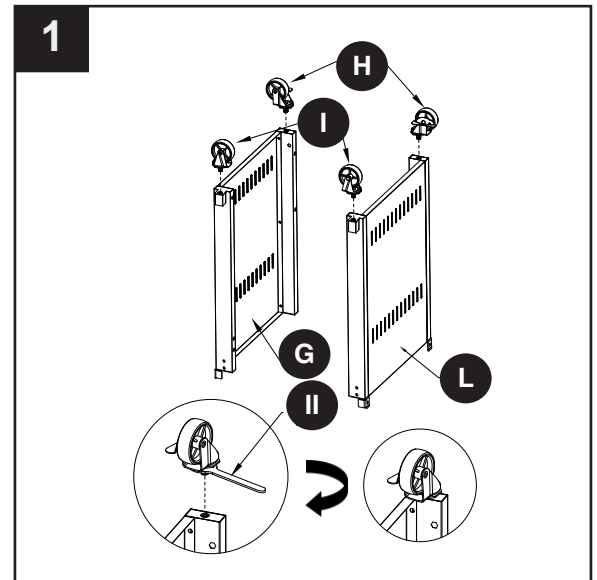
CET APPAREIL EST LOURD. Deux personnes sont requises pour assembler cet appareil en toute sécurité.

Deux personnes sont requises pour assembler cet appareil en toute sécurité. Certaines pièces peuvent avoir des bords tranchants. Portez des gants de protection si nécessaire. Veuillez lire et respecter les avis de sécurité, les avertissements ainsi que les instructions d'assemblage, d'utilisation et d'entretien avant d'assembler et de mettre en marche l'appareil.

INSTRUCTIONS D'ASSEMBLAGE

1. Fixez les deux roulettes à blocage (H) et les deux roulettes sans blocage (I) au panneau gauche (L) et au panneau droit (G) du chariot à l'aide de la clé (II).

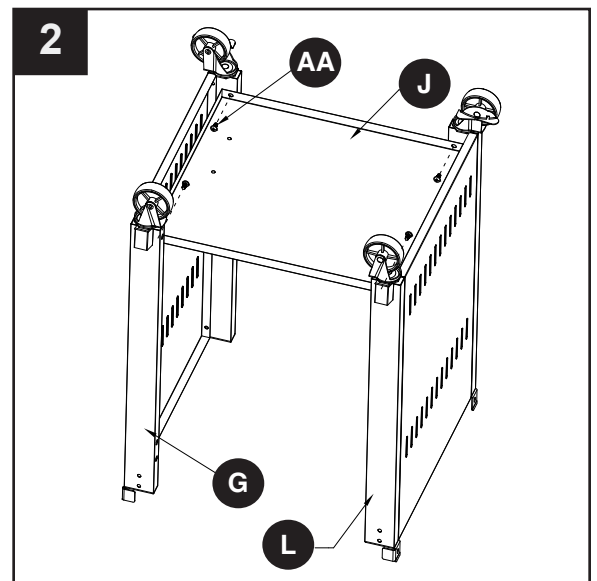
Matériel utilisé



2. Fixez le panneau gauche (L) et le panneau droit (G) du chariot à la tablette du panneau inférieur du chariot (J) avec quatre boulons M6 x 16 mm (AA).

NE SERREZ PAS COMPLÈTEMENT LES BOULONS À CE STADE.

Matériel utilisé



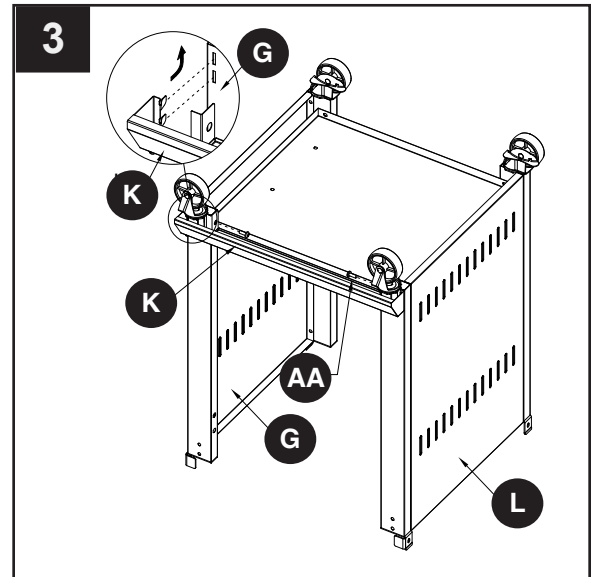
INSTRUCTIONS D'ASSEMBLAGE

3. Insérez le crochet de la jupe du panneau inférieur (K) dans la fente du panneau gauche (L) et dans le panneau droit (G) comme illustré. Fixez la jupe du panneau inférieur (K) au panneau gauche (L) et au panneau droit (G) du chariot avec deux boulons M6 x 16 mm (AA).

Serrez fermement TOUS les boulons de l'étape 2.

Matériel utilisé

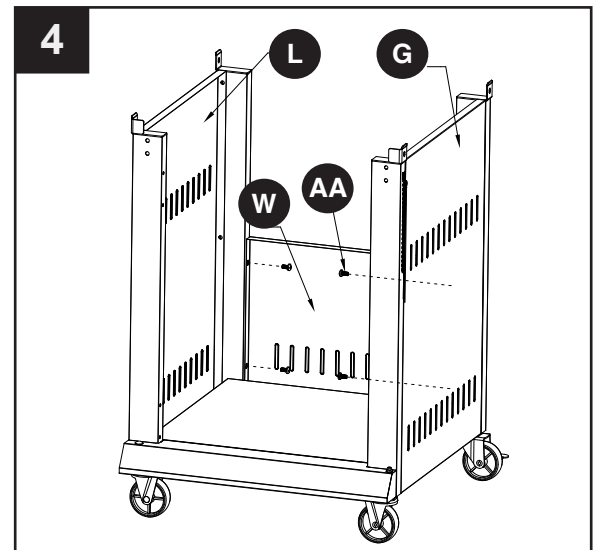
AA M6x16 Bolt  x 2



4. Fixez le panneau arrière du chariot (W) au panneau gauche (L) et au panneau droit (G) du chariot avec quatre boulons M6 x 16 mm (AA).

Matériel utilisé

AA Boulon M6 x 16 mm  x 4

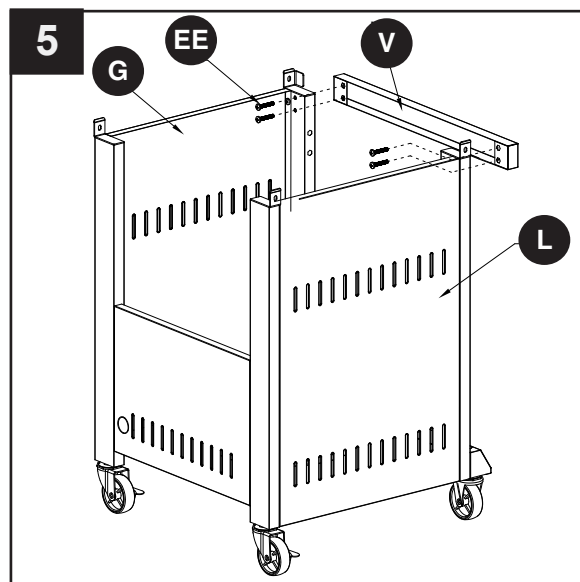


INSTRUCTIONS D'ASSEMBLAGE

5. Fixez le support supérieur de porte (V) au panneau gauche (L) et au panneau droit (G) du chariot avec quatre boulons M6 x 35 mm (EE).


Matériel utilisé

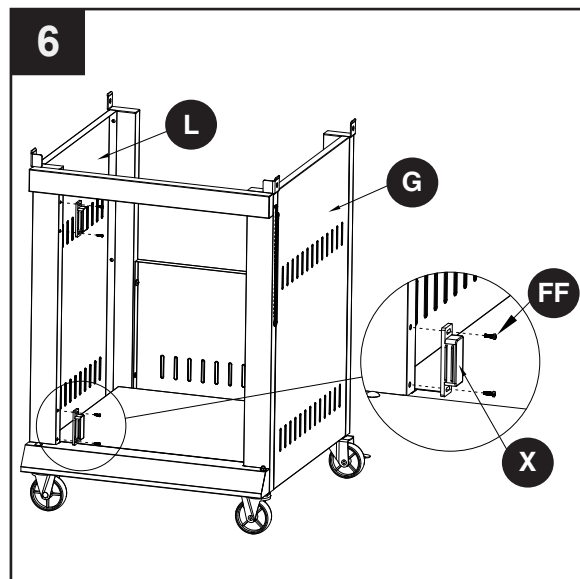
EE Boulon M6 x 35 mm  x 4



6. Fixez l'aimant de porte (X) au panneau gauche du chariot (L) avec quatre boulons M3 x 10 mm (FF).

Matériel utilisé

FF Boulon M3 x 10 mm  x 4

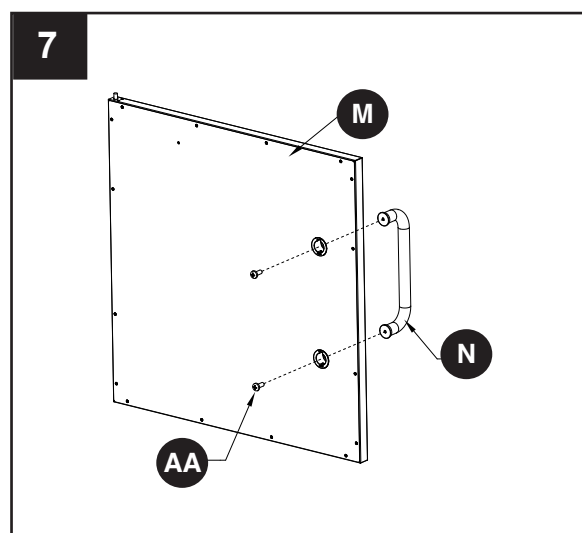


INSTRUCTIONS D'ASSEMBLAGE

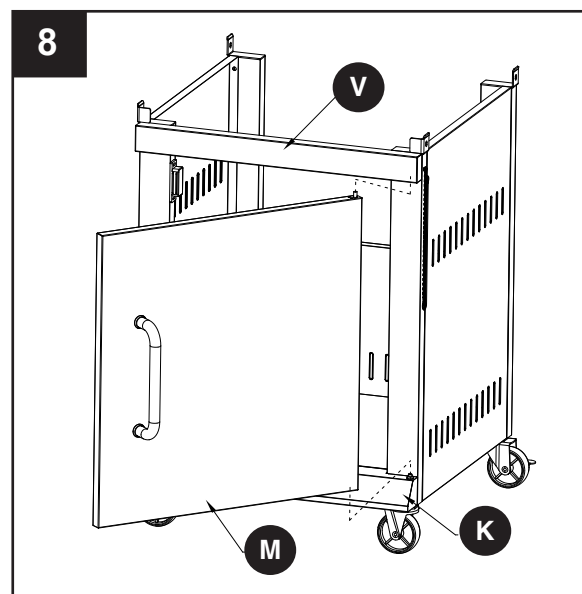
7. Fixez la poignée de porte (N) à la porte (M) à l'aide de deux boulons M6 x 16 mm (AA).

Matériel utilisé

AA Boulon M6 x 16 mm  x 2



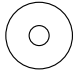


8. Insérez l'axe de charnière inférieur de la jupe du panneau inférieur (K) du chariot dans le trou inférieur de la porte (M), puis insérez l'axe de charnière supérieur à ressort de la porte dans le trou du support supérieur de porte (V), comme illustré.

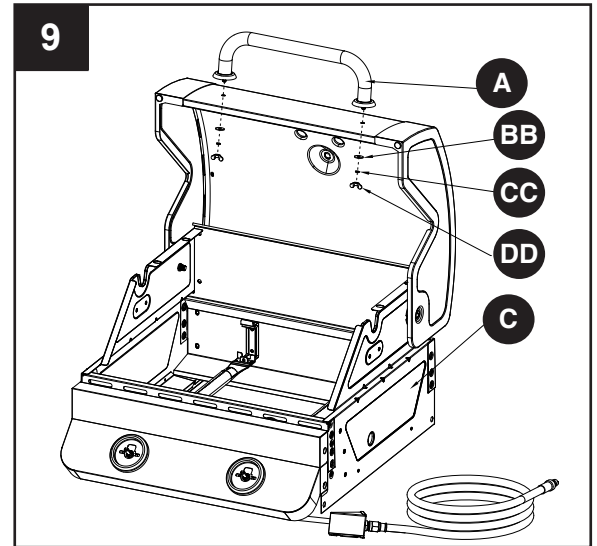


INSTRUCTIONS D'ASSEMBLAGE

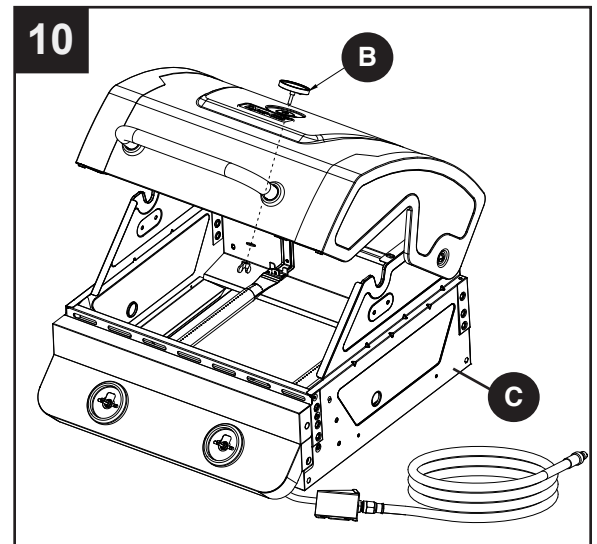
9. Fixez la poignée du couvercle (A) au bâti du barbecue (C) avec deux écrous à oreilles M6 (DD), deux rondelles élastiques M6 (CC) et deux rondelles plates M6 (BB).

Matériel utilisé

BB	Rondelle plate M6		x 2
CC	Rondelle élastique M6		x 2
DD	Écrou à oreilles M6		x 2



10. Enlevez l'écrou à oreilles et la rondelle plate préassemblés sur la jauge de température (B), puis fixez la jauge de température (B) au bâti du barbecue (C). Fixez la jauge de température (B) avec l'écrou à oreilles et la rondelle plate retirés précédemment.



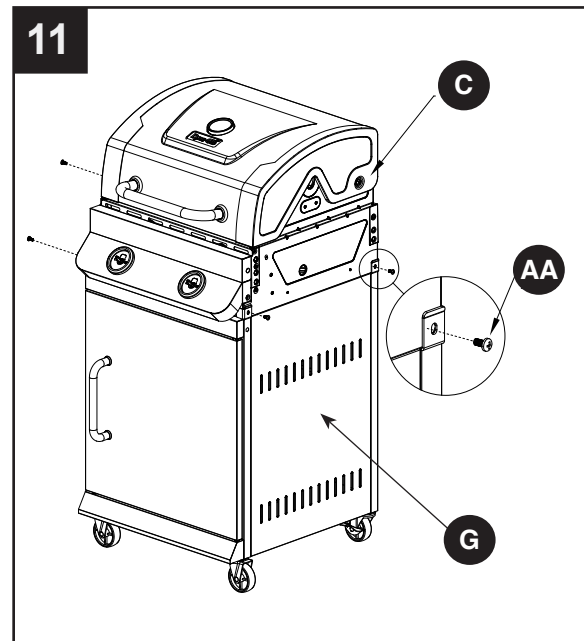
INSTRUCTIONS D'ASSEMBLAGE

11. Placez doucement le bâti du barbecue (C) sur le panneau gauche (L) et le panneau droit (G) du chariot. Ajustez le bâti du barbecue (C) pour que ses trous soient alignés avec ceux des languettes du panneau gauche (L) et du panneau droit (G) du chariot.

Remarque : Assurez-vous du tuyau de gaz naturel soit à l'intérieur du chariot. Fixez le bâti du barbecue (C) avec quatre vis M6 x 16 mm (AA).

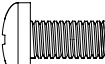
Matériel utilisé

AA Boulon M6 x 16 mm  x 4

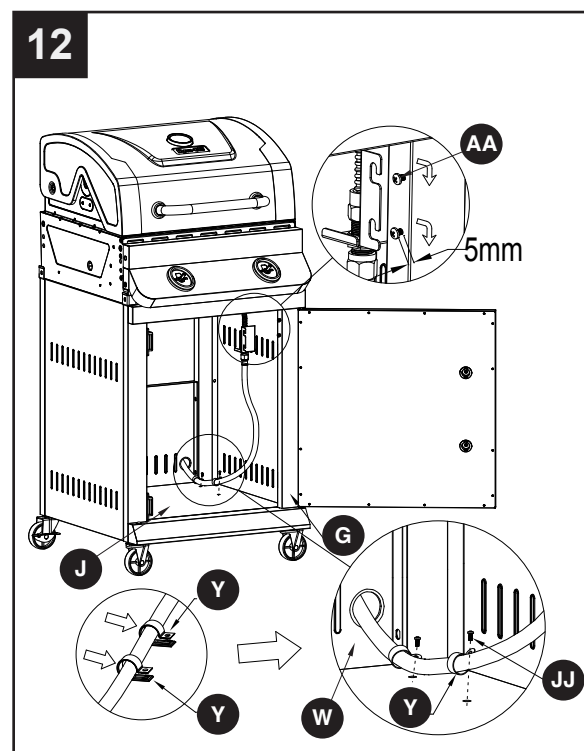


12. Placez deux boulons M6 x 16 mm (AA) sur le panneau droit (G) du chariot sans les serrer. Assurez-vous de laisser un espace de 5 mm entre les boulons et le panneau. Placez ensuite le support du tuyau du gaz naturel sur les boulons, puis serrez les deux boulons. Placez les deux attaches (Y) sur le tuyau de gaz naturel. Fixez ensuite les attaches (Y) à la tablette inférieure (J) avec deux boulons M4 x 12 mm (JJ). REMARQUE : Assurez-vous que le tuyau passe dans le trou du panneau arrière du chariot (W).

Matériel utilisé

AA Boulon M6 x 16 mm  x 2

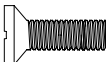
JJ Boulon M4 x 12 mm  x 2

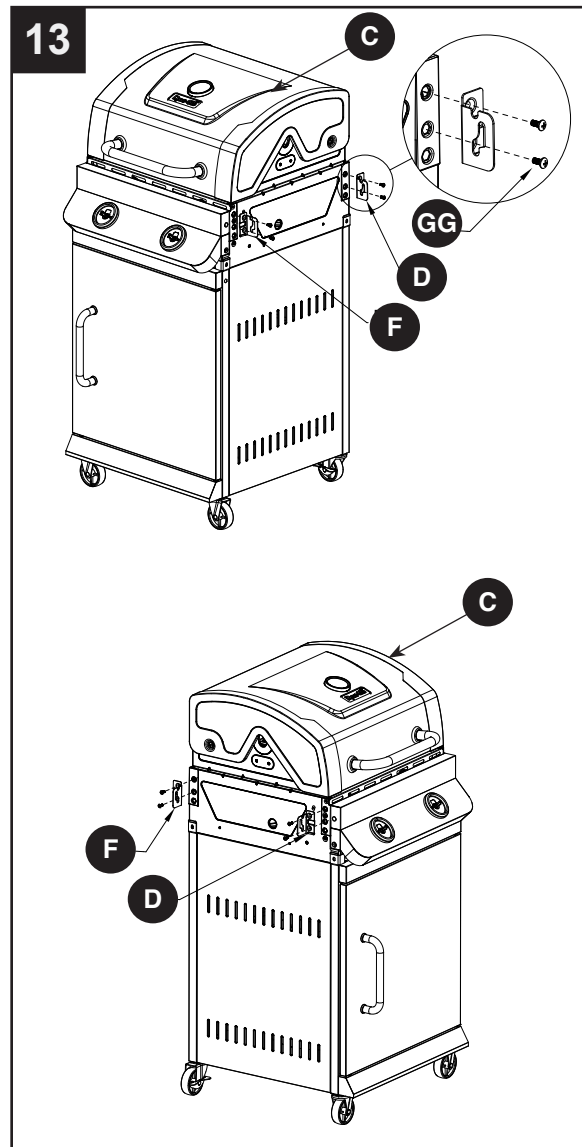


INSTRUCTIONS D'ASSEMBLAGE

13. Fixez le support de tablette latérale A (D) et le support de tablette latérale B (F) au bâti du barbecue (C) avec huit boulons plats M6 x 12 mm (GG).

Matériel utilisé

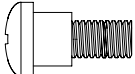
GG Boulon plat M6 x 12 mm  x 8

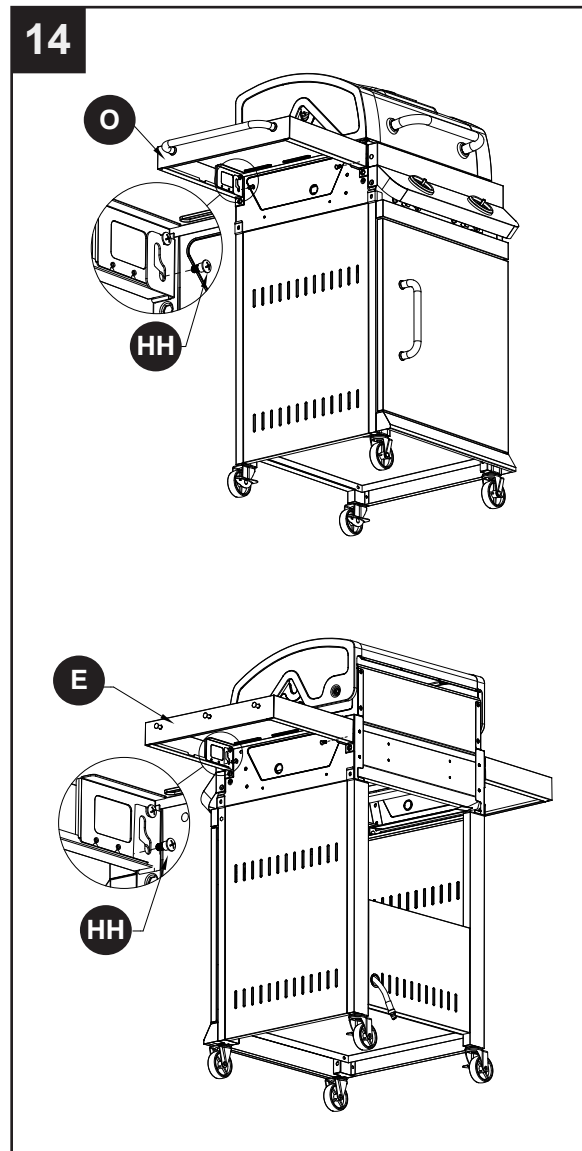


INSTRUCTIONS D'ASSEMBLAGE

14. Fixez la tablette latérale gauche (O) aux supports installés à l'étape 13 avec deux boulons à épaulement (HH). Répétez cette étape pour la tablette latérale droite (E).

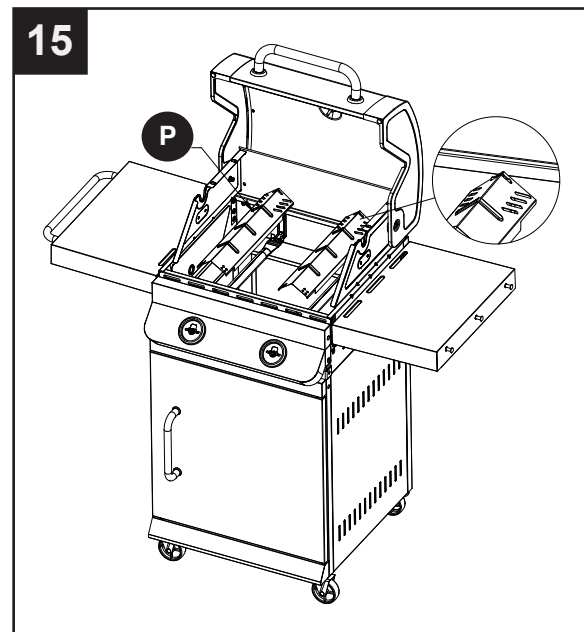
Matériel utilisé

HH Boulon à épaulement  x 4

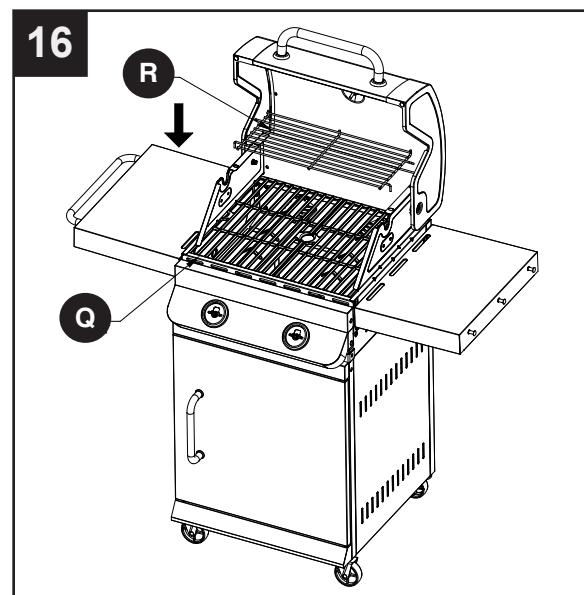


INSTRUCTIONS D'ASSEMBLAGE

15. Placez les deux plaques de rayonnement (P) sur chaque brûleur.

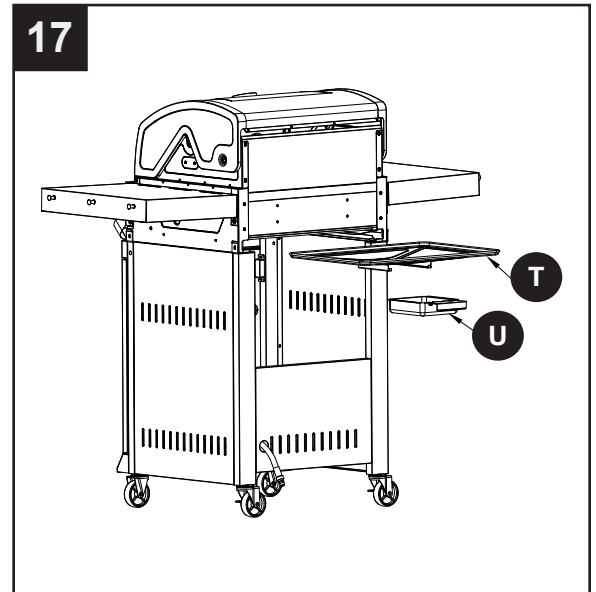


16. Placez les deux grilles de cuisson (Q) et la grille d'attente (R).

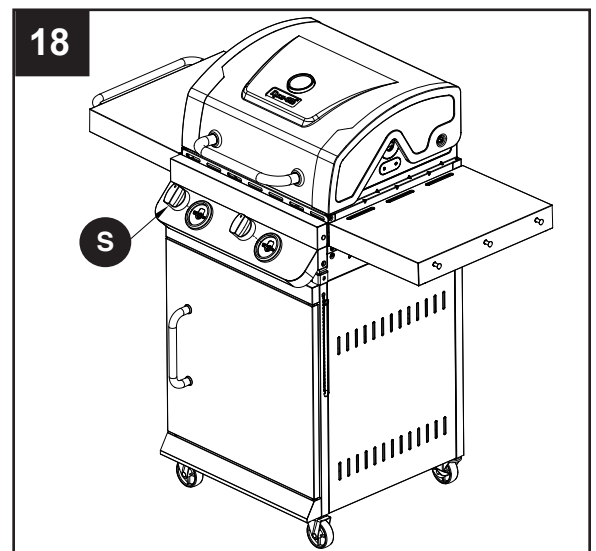


INSTRUCTIONS D'ASSEMBLAGE

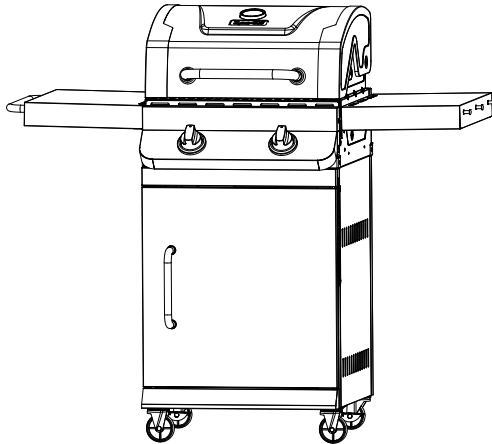
17. Placez le plateau à graisse (T) ainsi que le récupérateur de graisse (U).



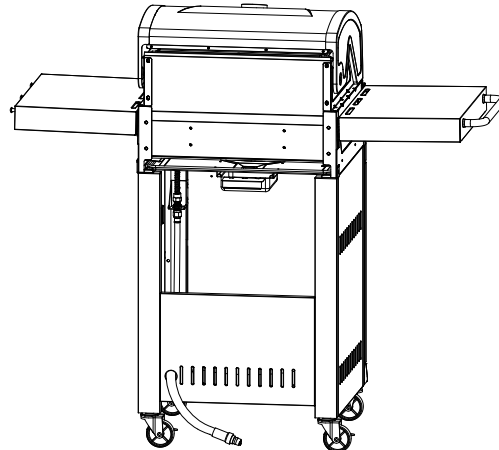
18. Assemblez les deux boutons de commande (S) aux tiges de la vanne.



Entièrement assemblé



Vue de face



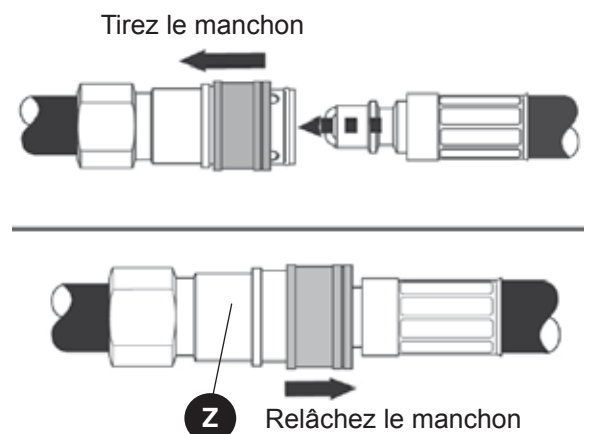
Vue arrière

RACCORD DU BARBECUE À L'ALIMENTATION EN GAZ NATUREL

- La douille de débranchement rapide (Z) et le tuyau d'alimentation en gaz doivent être installés par un service d'entretien autorisé. Le raccord d'alimentation doit être réalisé selon la réglementation locale ou, en l'absence d'une telle réglementation, selon le National Fuel Gas Code, ANSI Z223.1/NFPA 54, aux Etats-Unis, ou le Natural Gas and Propane Installation Code, CSA B149.1, au Canada.
- Une vanne d'arrêt manuel de taille appropriée doit être installée entre le barbecue et le tuyau d'alimentation en gaz.
- Le barbecue et sa vanne d'arrêt individuelle doivent être déconnectés du réseau de distribution du gaz avant tout test de pression du réseau, pour des pressions d'essai excédant 0,5 lb/po2 (3,5 kPa).
- Avant toute vérification de pression du système de tuyauterie d'alimentation en gaz, pour des pressions d'essai égales ou inférieures à 0,5 lb/po2 (3,5 kPa), fermez la vanne d'arrêt manuel individuelle pour isoler le barbecue du système de tuyauterie d'alimentation en gaz.
- Raccordez toujours le tuyau flexible d'alimentation en gaz au réseau de distribution avant d'ouvrir la vanne d'arrêt manuel

POUR RACCORDER :

1. Assurez-vous que la vanne d'arrêt du gaz naturel est fermée.
2. Retirez les bouchons protecteurs en caoutchouc aux extrémités de l'embout et du manchon des raccords de débranchement rapide. Vérifiez si les raccords sont propres.
3. Tirez le manchon sur le raccord, comme illustré.
4. Insérez l'embout, puis relâchez le manchon, comme illustré.
5. Poussez l'embout dans le manchon, jusqu'à ce que le manchon s'enclenche vers l'avant pour bloquer l'embout dans le raccord.
6. Ouvrez la vanne d'arrêt de gaz naturel.



POUR DÉBRANCHER :

1. Fermez la vanne d'arrêt de l'approvisionnement en gaz naturel.
2. Tirez le manchon, puis retirez délicatement l'embout.
3. Replacez les bouchons protecteurs en caoutchouc sur les extrémités de l'embout et du manchon des raccords de débranchement rapide.

⚠ AVERTISSEMENT

Lorsque vous effectuez les raccordements, assurez-vous que :

- le tuyau d'alimentation en gaz ne touche pas au foyer du barbecue

DÉTECTION DES FUITES

Après avoir effectué tous les branchements, vérifiez s'il y a des fuites en vaporisant de l'eau savonneuse sur le raccord de gaz naturel à branchement rapide, le tuyau de gaz et le collecteur.

Pour prévenir les incendies ou les explosions lorsque vous tentez de détecter les fuites :

- Procédez toujours à la détection des fuites avant d'allumer le barbecue.
- Ne fumez pas lorsque vous vérifiez la présence de fuites.
- Procédez toujours à la détection des fuites à l'extérieur, dans un endroit bien aéré.
- N'utilisez aucune source de flamme lorsque vous vérifiez la présence de fuites.
- N'utilisez pas le barbecue tant que les fuites n'ont pas toutes été colmatées.
- Si vous ne parvenez pas à colmater une fuite, fermez la vanne d'arrêt du gaz naturel, puis communiquez avec un service de réparation d'appareils au gaz.

DÉTECTION DES FUITES

- Pour préparer une solution afin de procéder à la détection des fuites, mélangez une part de savon à vaisselle liquide et trois parts d'eau. Vous aurez besoin d'environ 70 à 90 ml (2 à 3 oz) de liquide. Versez la solution en question dans un vaporisateur.
- Assurez-vous que tous les boutons de commande sont à la position FERMÉ.
- Branchez le tuyau de gaz au réseau de distribution de gaz.
- Ouvrez la vanne d'arrêt de gaz.
- Vaporisez la solution sur tous les branchements et les raccords dans lesquels circule du gaz. La présence de bulles à un endroit où vous avez appliqué la solution d'eau savonneuse indique une fuite de gaz. Si vous détectez ou entendez une fuite, ou si vous sentez une odeur de gaz, fermez immédiatement la vanne d'alimentation en gaz et réparez ou remplacez la pièce défectueuse. N'utilisez pas le barbecue tant que les fuites n'ont pas toutes été colmatées.

⚠ MISE EN GARDE

Utilisez uniquement l'ensemble tuyau fourni! Si vous avez besoin d'une pièce de rechange, communiquez avec le service à la clientèle. N'utilisez pas de pièces de rechange qui ne sont pas conçues pour ce barbecue.

⚠ AVERTISSEMENT

TOUTES LES INSTRUCTIONS ET MESURES DE SÉCURITÉ QUI SUIVENT DOIVENT ÊTRE RESPECTÉES AFIN DE PRÉVENIR LES INCENDIES, LES DOMMAGES ET LES BLESSURES.

INSTRUCTIONS DE FONCTIONNEMENT

Allumer le barbecue

Avant la première utilisation :

Retirez tous les emballages et toutes les attaches de plastique, le cas échéant. Avant de cuisiner sur votre nouveau barbecue au propane, il est important de le nettoyer avec de la chaleur. Pour ce faire, faites fonctionner le barbecue pendant environ 15 minutes avec le couvercle baissé et le bouton de commande à l'intensité maximale. Vous nettoierez ainsi les pièces internes en faisant brûler les résidus et les odeurs générés par le processus de fabrication.

⚠ MISE EN GARDE

Si la flamme s'éteint accidentellement lors de l'allumage ou du fonctionnement, FERMEZ immédiatement la vanne d'arrêt du gaz naturel, puis DÉACTIVEZ le bouton de commande.

⚠ AVERTISSEMENT

Ne vous penchez pas au-dessus du barbecue lors de l'allumage. Lisez les instructions avant d'allumer l'appareil. Ne mettez pas de casserole sur le brûleur latéral. L'utilisation de casseroles sur le brûleur latéral entraîne des niveaux élevés de monoxyde de carbone.


1. Vérifiez que les boutons de commande sont bien en position ARRÊT ○.
2. Ouvrez la vanne d'arrêt de l'approvisionnement en gaz naturel.
3. Ouvrez le couvercle pendant l'allumage.
4. En position ARRÊT ○, enfoncez et tournez le bouton de commande dans le sens antihoraire ↶, en passant la position d'allumage ⚡, jusqu'à la position HAUT 🔥. Il faudra peut-être répéter cette étape plusieurs fois pour allumer le brûleur.

Si l'allumage ne se produit pas dans les 5 secondes, tournez le(s) bouton(s) de commande en position ARRÊT ○, attendez 5 minutes et répétez la procédure d'allumage.

Si le brûleur ne s'allume toujours pas, assurez-vous que la vanne d'arrêt du gaz naturel est ouverte et suivez la procédure d'allumage avec une allumette. Consultez le Guide de dépannage à la page 53 pour plus d'informations.

INSTRUCTIONS DE FONCTIONNEMENT

ALLUMER LE BARBECUE AVEC UNE ALLUMETTE

1. Ouvrez le couvercle.
2. Insérez une allumette dans le porte-allumettes qui se trouve à l'intérieur de la porte du barbecue.
3. Allumez l'allumette.
4. Placez immédiatement l'allumette dans un des espaces des grilles du barbecue qui se trouvent près des orifices du brûleur, entre les plaques de rayonnement, comme illustré. Veillez à placer l'allumette près des orifices du brûleur.
5. Appuyez sur le bouton de commande du brûleur, puis faites-le tourner en sens antihoraire ↺ jusqu'à la  position de haute intensité : le brûleur devrait s'allumer instantanément.
6. Répétez les étapes 2 à 5 pour allumer les autres brûleurs.
7. Réglez les brûleurs à la température de cuisson désirée.

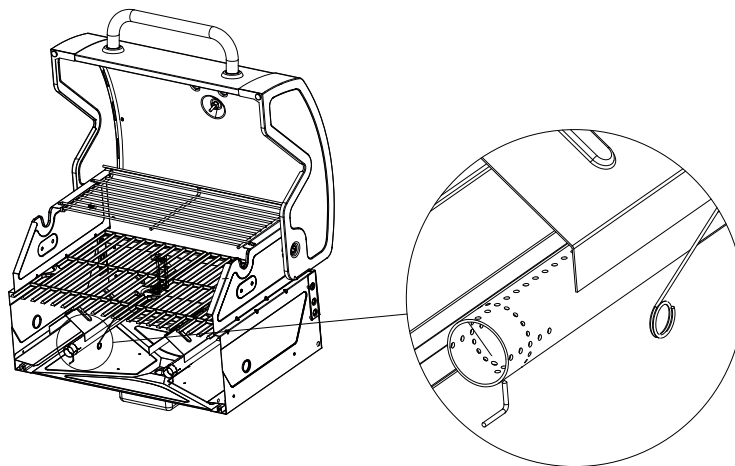
⚠ MISE EN GARDE

Assurez-vous que toutes les commandes de brûleurs sont éteintes, sauf celles des brûleurs que vous avez allumés ou que vous êtes en train d'allumer.

⚠ AVERTISSEMENT

Si l'appareil ne s'allume pas en 5 secondes, mettez le bouton de commande en position d'arrêt (O), attendez 5 minutes et recommencez la procédure d'allumage.

Allumage du brûleur principal avec une allumette



INSTRUCTIONS D'ARRÊT

1. Tournez les boutons de commande en sens horaire ↻ jusqu'à la position d'arrêt (O).
2. Fermez la vanne d'arrêt de gaz naturel.
3. Fermez le couvercle.

Coupez l'alimentation du gaz naturel à l'aide de la vanne d'arrêt lorsque l'appareil n'est pas en fonction.

Grilles de cuisson

Le moment idéal pour brûler les résidus sur les grilles de cuisson est juste après leur utilisation, pendant environ 15 minutes. Puisque le barbecue est déjà chaud, atteindre la température voulue pour le nettoyage demande moins de combustible.

Pour brûler les résidus, réglez le barbecue à sa plus haute intensité et laissez-le fonctionner pendant 15 minutes à couvercle fermé. Ensuite, éteignez les brûleurs et utilisez une brosse à métal pour gratter les résidus de nourriture sur les grilles.

Les grilles en porcelaine ont un fini émaillé (semblable au verre) et doivent être manipulées avec soin pour éviter de les endommager.

⚠ MISE EN GARDE

Assurez-vous d'effectuer votre nettoyage et votre entretien lorsque le barbecue a refroidi et que l'alimentation la vanne d'arrêt du gaz naturel est coupée.

Produits de nettoyage recommandés

Savon à vaisselle doux, eau tiède, tampon à récurer en nylon, brosse à métal.

N'utilisez PAS de nettoyeurs contenant des acides, de l'essence minérale ou tout autre produit abrasif.

Surfaces externes

Il est recommandé de n'utiliser que du savon à vaisselle doux et de l'eau chaude pour nettoyer le barbecue et ses pièces.

Rincez à l'eau tiède.

Intérieur de la cuve inférieure du bâti

Pour éviter que des flammes jaillissent, la cuve inférieure du bâti devrait être nettoyée régulièrement. Éliminez les résidus à l'aide d'une brosse, d'un grattoir ou d'un tampon à récurer. Nettoyez avec un savon à vaisselle doux et de l'eau tiède. Rincez à l'eau tiède. Ne laissez pas l'eau éclabousser les venturis ou les brûleurs.

Plaques de rayonnement

Éliminez les résidus avec une brosse à métal et nettoyez avec du savon à vaisselle doux et de l'eau tiède. Rincez à l'eau tiède.

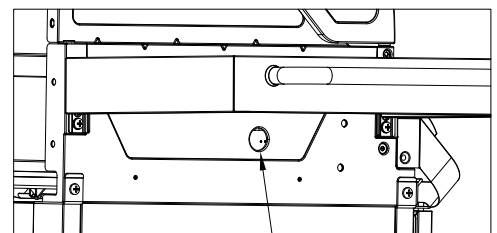
Récupérateur de graisse

Videz de façon régulière le récupérateur de graisse et nettoyez-le avec du savon à vaisselle doux et de l'eau tiède.

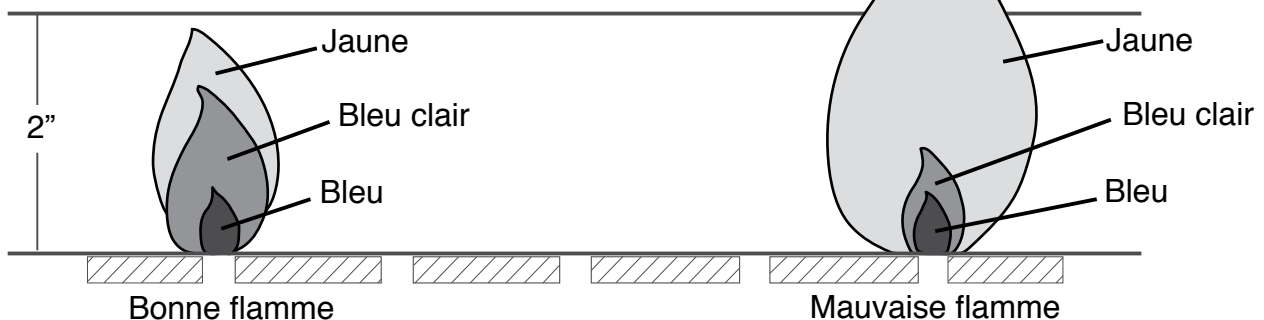
Vérification de la flamme

La flamme idéale pour économiser le combustible et cuire efficacement devrait être bleu et jaune et mesurer entre 1 et 2 po.

Pour vérifier la flamme, observez-la par les trous de part et d'autre de la chambre de combustion.



Trou permettant de voir la flamme



Bonne flamme

Mauvaise flamme

Brûleur

Retirer le brûleur

1. Assurez-vous que tous les boutons de commande sont en position d'arrêt, que la vanne d'alimentation en propane est fermée et que le tuyau de propane est déconnecté de l'alimentation.
2. Ouvrez le couvercle et retirez la grille d'attente, les grilles de cuisson, les plaques de rayonnement.
3. Retirez l'axe de charnière, comme illustré à la figure 1.
4. Glissez les brûleurs principaux à l'extérieur de la chambre de combustion.
5. Détachez le fil d'allumage de l'électrode, comme illustré à la figure 2.

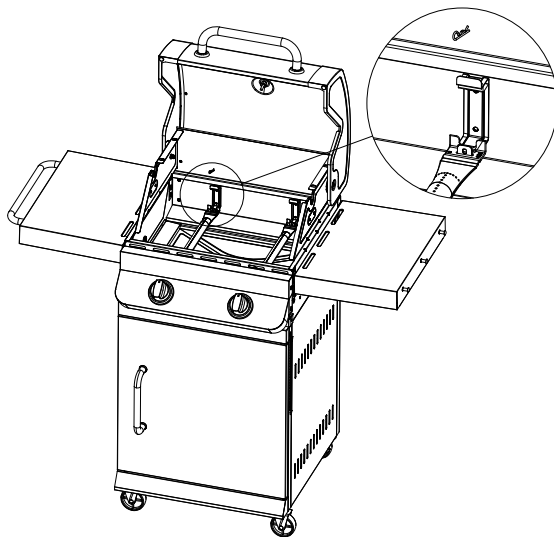
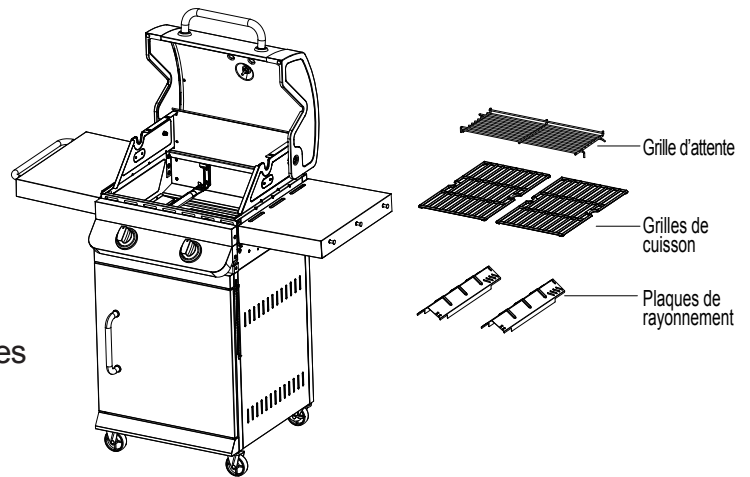


Figure 1

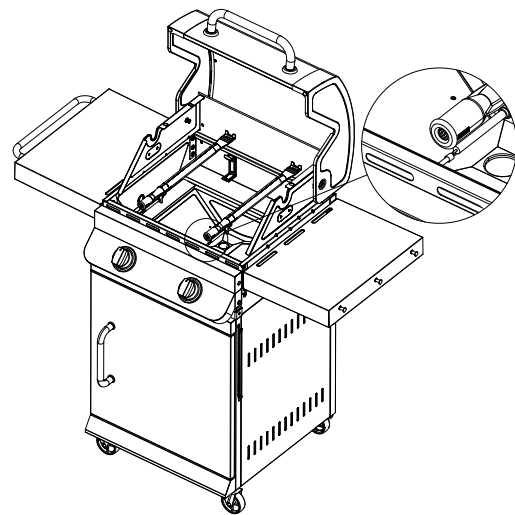


Figure 2

ENTRETIEN ET MAINTENANCE

Nettoyer le brûleur

– Assurez-vous que le barbecue est froid.

1. Veillez à ce que tous les orifices du brûleur soient libres d'obstructions. Vous pouvez utiliser une broche ou un trombone.
2. Assurez-vous que le brûleur n'est pas endommagé. S'il l'est, remplacez-le.
3. Assurez-vous que l'extrémité du brûleur et le filtre à air principal ne contiennent pas de nids d'insectes, de saletés ou de débris.

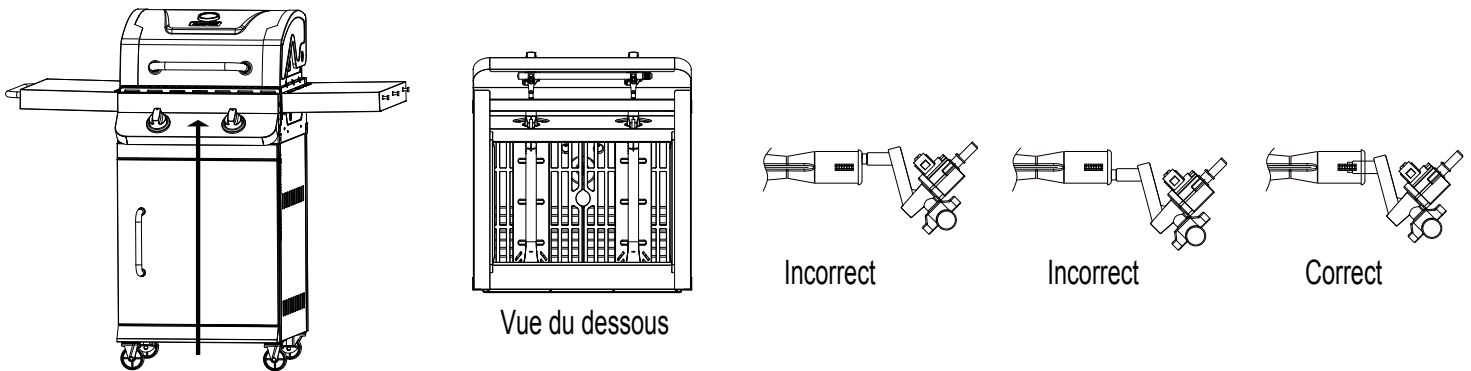
Réinstaller le brûleur

Veillez vous assurer que les orifices de la vanne de propane sont bien placés dans l'orifice du brûleur (venturi).

Vous pourriez avoir besoin d'une lampe de poche pour le vérifier.

Il est recommandé de vérifier la position par les trous d'évent de la chambre de combustion, comme illustré ci-dessous.

Réinstallez chaque brûleur avec l'axe de charnière et reconnectez le fil d'allumage à l'électrode.



Vérifiez la position par le dessous de la chambre de combustion.

⚠ AVERTISSEMENT

Le non-respect des instructions ci-dessus peut provoquer un incendie ou une explosion pouvant entraîner des blessures graves ou la mort.

Entretien et maintenance supplémentaires

Il est recommandé de faire inspecter et entretenir cet appareil une fois par année par un technicien qualifié.

Il est recommandé de toujours vérifier que l'appareil de cuisson d'extérieur est exempt de matériaux combustibles, d'essence et d'autres vapeurs et liquides inflammables avant de l'allumer.

Il est recommandé de vérifier régulièrement que la sortie de gaz et l'entrée d'air sont exemptes d'obstructions.

Il est recommandé de vérifier régulièrement que les conduits d'aération de l'armoire du barbecue sont propres et exempts de débris.

Il est recommandé de vérifier régulièrement que les brûleurs et les venturis sont exempts d'insectes et de nids d'insectes, et de les nettoyer au besoin. Un tuyau obstrué peut provoquer un incendie sous le barbecue.

DÉPANNAGE

Si vous avez des questions concernant le produit, veuillez appeler le service à la clientèle au 1 877 447-4768, entre 8 h et 16 h 30 (HNC), du lundi au vendredi.

PROBLÈME	CAUSE POSSIBLE	SOLUTION
Le brûleur ne s'allume pas après que la procédure d'allumage a été suivie (la flamme est faible ou aucune flamme n'est produite).	<ol style="list-style-type: none">1. L'électrode de l'allumeur est peut-être recouverte de graisse ou de résidus.2. L'électrode de l'allumeur peut avoir un fil lâche ou mal raccordé.3. L'électrode d'allumage est fissurée ou brisée.	<ol style="list-style-type: none">1. Nettoyez l'électrode d'allumage.2. Vérifiez les raccordements et reconnectez tous les fils lâches ou mal raccordés.3. Remplacez l'électrode d'allumage (voir la liste des pièces de rechange).
Chaleur faible.	<ol style="list-style-type: none">1. La pression d'alimentation de gaz de l'appareil est insuffisante.	<ol style="list-style-type: none">1. Appelez une institution de service qualifiée pour faire vérifier et réparer la pression d'alimentation de gaz.
Flambées excessives.	<ol style="list-style-type: none">1. Il y a une accumulation de graisse ou de résidus sur les plaques de rayonnement ou dans la chambre de combustion.2. Il y a un égouttement excessif de gras ou de marinade des aliments.3. La température de cuisson est trop élevée.	<ol style="list-style-type: none">1. Nettoyez les composants du barbecue.2. Retirez le gras de la viande et utilisez des marinades qui ne sont pas faites à base d'huile.3. Baissez la température en conséquence.

PROBLÈME	CAUSE POSSIBLE	SOLUTION
<p>Le brûleur ne s'allume pas à l'aide d'une allumette.</p>	<ol style="list-style-type: none"> 1. L'allumette n'atteint pas les brûleurs (lorsque vous la tenez d'une main). 2. L'alimentation en gaz est coupée. 3. Il y a un mauvais branchement entre le raccord à manchon et l'embout du tuyau de gaz. 4. L'entrée du brûleur est obstruée. 	<ol style="list-style-type: none"> 1. Utilisez le support à allumettes situé dans la porte de l'armoire. 2. Vérifiez si la vanne d'arrêt du gaz naturel est ouverte. 3. Tournez les boutons de commande à la position OFF (fermé), fermez la vanne d'arrêt du gaz, puis vérifiez le branchement du raccord à manchon et de l'embout. Au besoin, déconnectez-les et reconnectez-les. 4. Nettoyez le diffuseur (venturi) et le brûleur selon les instructions de la section Entretien du manuel.
<p>Le gaz ne circule pas ou sa circulation est entravée.</p>	<ol style="list-style-type: none"> 1. L'alimentation en gaz est coupée. 2. Il y a un mauvais branchement entre le raccord à manchon et l'embout du tuyau de gaz. 3. L'entrée du brûleur est obstruée. 	<ol style="list-style-type: none"> 1. Vérifiez si la vanne d'arrêt manuel du gaz est ouverte. 2. Tournez les boutons de commande à la position OFF (fermé), fermez la vanne d'arrêt du gaz, puis vérifiez le branchement du raccord à manchon et de l'embout. Au besoin, déconnectez-les et reconnectez-les. 3. Nettoyez le diffuseur (venturi) et le brûleur selon les instructions de la section Entretien du manuel.

GARANTIE LIMITÉE

Garantie limitée d'un an

Ce barbecue au gaz naturel est garanti pendant un an (les brûleurs en acier inoxydable sont garantis pendant cinq ans) contre les pièces brisées ou endommagées au moment de l'achat. Il est garanti contre les défauts. La peinture est garantie contre les défauts, mais n'est pas garantie contre la rouille, qui pourrait apparaître après une utilisation répétée.

La garantie ne couvre pas les dommages et les problèmes causés par une négligence, une utilisation abusive ou des modifications apportées à l'appareil. La garantie ne couvre pas les coûts de main-d'œuvre.

Pour chaque pièce couverte par la garantie, une pièce de remplacement sera livrée sans frais selon la méthode choisie par le fabricant (livraisons par voie terrestre, service postal des États-Unis ou services de colis postaux UNIQUEMENT). Tous les frais de manutention spéciaux (p. ex. 2 jours, jour suivant, etc.) relèvent de la responsabilité du consommateur.

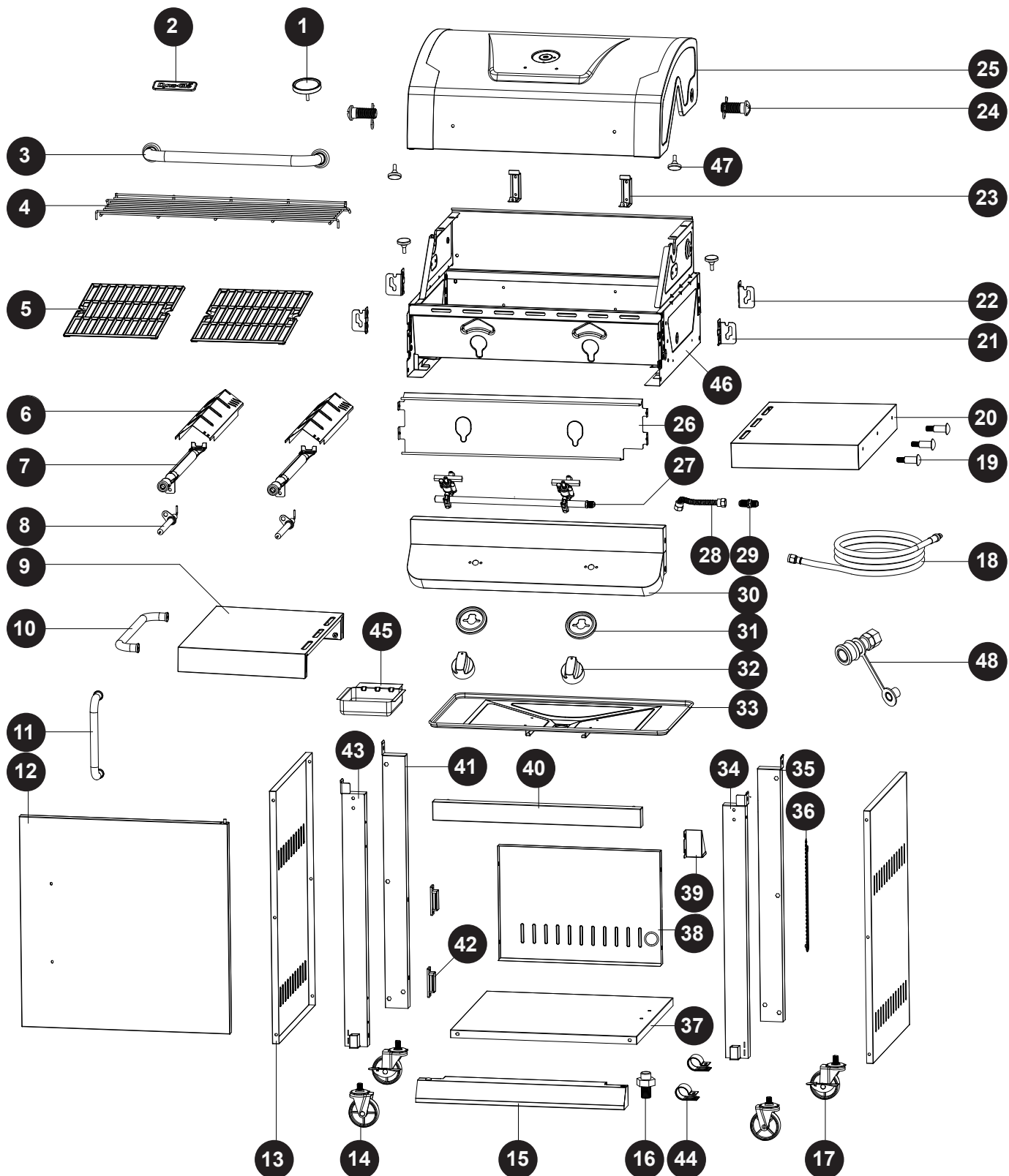
Toutes les réclamations sous garantie s'appliquent uniquement à l'acheteur initial du produit et nécessitent une preuve d'achat qui indique la date d'achat. Ne retournez aucune pièce sans avoir obtenu au préalable un numéro d'autorisation de retour de la part du service à la clientèle. Pour obtenir ce service, appelez sans frais au 1 877 447-4768, de 8 h à 16 h 30 (HNC), du lundi au vendredi.

AVIS : Les lois en vigueur dans certains États, provinces ou territoires n'autorisent pas l'exclusion ou la limitation des dommages consécutifs ou indirects, ou encore, la limitation de la durée d'une garantie implicite et, par conséquent, les limitations et exclusions énoncées ci-dessus pourraient ne pas s'appliquer à vous. La présente garantie vous accorde des droits spécifiques reconnus par la loi et vous bénéficiez peut-être aussi d'autres droits reconnus par la loi, qui peuvent varier selon l'État, la province ou le territoire.

GHP Group, Inc.
6440 W. Howard Street
Niles, IL, États-Unis
60714-3302

Nom de l'article : Barbecue au gaz naturel de première qualité à deux brûleurs
N° de modèle : DGP321SNN / DGP321SNN-D / DGP321CNN / DGP321CNN-D
DGP321GNN / DGP321GNN-D / DGP321MNN / DGP321MNN-D
Puissance nominale en BTU du brûleur principal : 24 000 BTU/h

LISTE DES PIÈCES DE RECHANGE



LISTE DES PIÈCES DE RECHANGE

Pour des pièces de rechange, veuillez appeler le service à la clientèle au 1 877 447-4768, de 8 h à 16 h 30 (HNC), du lundi au vendredi.

PIÈCE	DESCRIPTION	N° DE PIÈCE
1	Jauge de température	70-01-786
2	Plaque	70-10-540
3	Poignée du couvercle	70-01-853
4	Grille d'attente	70-01-854
5	Grille de cuisson	70-01-855
6	Plaque de rayonnement	70-01-791
7	Brûleur principal avec attache (Gaz naturel)	70-02-477
8	Allumeur du brûleur principal	70-01-793
9	Plateau latéral gauche	70-01-859
10	Poignée porte-serviettes	70-01-795
11	Poignée de porte	70-01-797
12	Porte – DGP321SNN-D/DGP321SNN – acier inoxydable	70-01-862
	Porte – DGP321CNN-D/DGP321CNN – noir	70-01-863
	Porte – DGP321GNN-D/DGP321GNN – bronze industriel	70-01-864
	Porte – DGP321MNN-D/DGP321MNN – moka	70-01-865
13	Panneau latéral du chariot	70-01-803
14	Roulette sans blocage	70-01-805
15	Jupe du panneau inférieur	70-02-401
16	Pivot de porte	70-01-809
17	Roulette à blocage	70-01-806
18	Tuyau de gaz naturel (3/8")	70-02-484
19	Crochet pour ustensiles	70-01-823
20	Plateau latéral droit	70-01-874
21	Support de tablette latérale A	70-01-875
22	Support de tablette latérale B	70-01-876
23	Soutien de la plaque de rayonnement du brûleur principal	70-01-833
24	Charnière du couvercle (avec écrou, rondelle et attache)	70-01-827
25	Couvercle – DGP321SNN-D/DGP321SNN – acier inoxydable	70-01-879
	Couvercle – DGP321CNN-D/DGP321CNN – noir	70-01-880
	Couvercle – DGP321GNN-D/DGP321GNN – bronze industriel	70-01-881
	Couvercle – DGP321MNN-D/DGP321MNN – moka	70-01-882
26	Écran thermique du panneau de contrôle	70-01-883
27	Valves principales et clarinette (gaz naturel)	70-02-544
28	Tuyau annelé	70-01-836
29	Connector	70-01-886
30	Panneau de contrôle – DGP321SNN-D/DGP321SNN, DGP321GNN-D/DGP321GNN, DGP321MNN-D/DGP321MNN – acier inoxydable	70-01-887
	Panneau de contrôle – DGP321CNN-D/DGP321CNN – noir	70-01-888

LISTE DES PIÈCES DE RECHANGE

Pour des pièces de rechange, veuillez appeler le service à la clientèle au 1 877 447-4768, de 8 h à 16 h 30 (HNC), du lundi au vendredi.

PIÈCE	DESCRIPTION	N° DE PIÈCE
31	Collerette du bouton de commande	70-01-184
32	Bouton de commande	70-01-185
33	Plateau à graisse	70-01-891
34	Tube du pied avant droit du chariot	70-02-407
35	Tube du pied arrière droit du chariot	70-01-893
36	Porte-allumettes avec chaîne	70-01-846
37	Tablette du panneau inférieur du chariot	70-02-489
38	Panneau arrière du chariot	70-02-490
39	Support du tuyau de gaz naturel	70-01-897
40	Support supérieur de porte	70-01-898
41	Tube du pied arrière gauche du chariot	70-01-899
42	Aimant de porte	70-01-807
43	Tube du pied avant gauche du chariot	70-02-404
44	Attache de tuyau de gaz naturel	70-02-480
45	Récupérateur de graisse	70-01-844
46	Chambre de combustion	70-01-904
47	Protège couvercle	70-01-832
48	Raccord pour déconnexion rapide	70-02-479
AA-JJ	Trousse de matériel	70-09-546

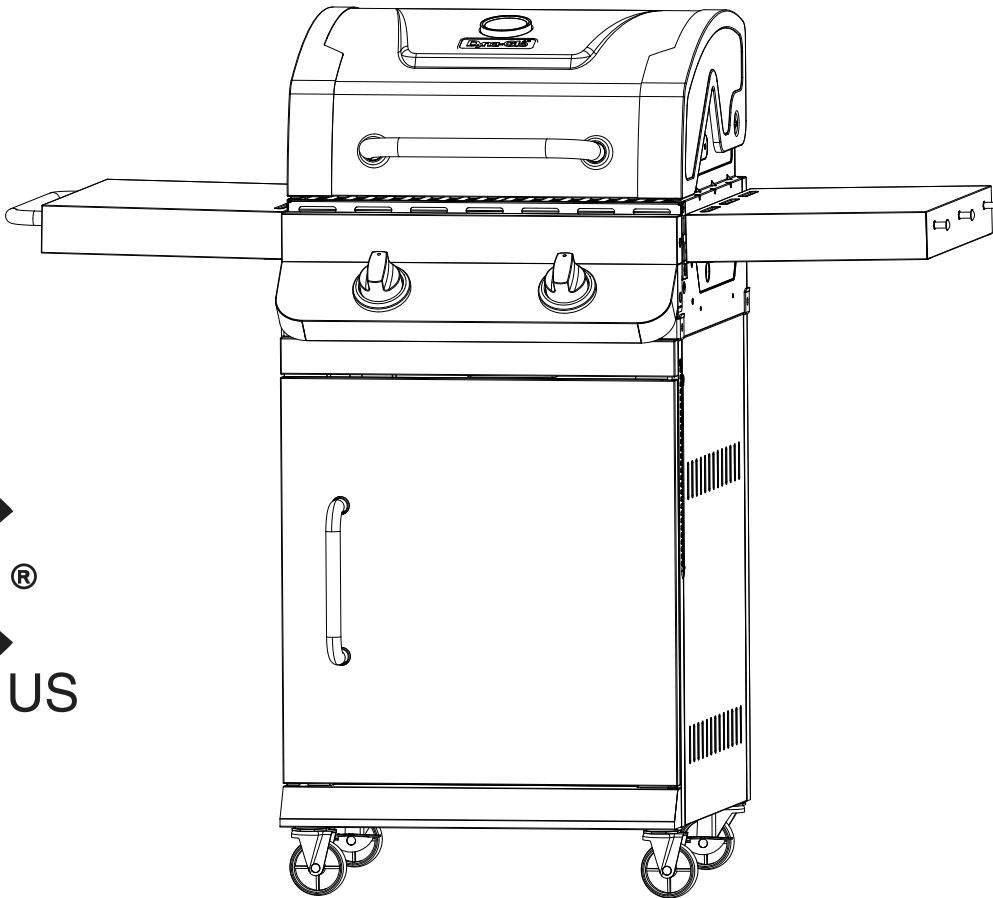
Dyna-Glo®

PARRILLA PREMIER CON 2 QUEMADORES PARA GAS NATURAL

Modelo n.º DGP321SNN / DGP321SNN-D
DGP321CNN / DGP321CNN-D
DGP321GNN / DGP321GNN-D
DGP321MNN / DGP321MNN-D

English p. 1

Français p. 30



ADJUNTE SU RECIBO AQUÍ

Número de serie _____ Fecha de compra _____



¿Preguntas, problemas, piezas faltantes? Antes de hacer una devolución a la tienda, llame a nuestro Departamento de Atención al Cliente al 1-877-447-4768, de lunes a viernes de 8:00 a. m. a 4:30 p. m. (hora central estándar), o escriba a customerservice@ghpgroupinc.com.

CONTENIDO

Información de seguridad	61
Contenido del paquete	63
Paquete de tornillería.....	64
Preparación	64
Instrucciones de ensamblaje	65
Instrucciones de funcionamiento	77
Cuidado y mantenimiento	79
Solución de problemas	82
Garantía	84
Lista de piezas de repuesto	85

Ensamblador/instalador: Este manual contiene información importante, necesaria para ensamblar correctamente el artefacto y utilizarlo de manera segura. Lea y respete todas las advertencias e instrucciones antes de ensamblar y utilizar este artefacto.

Deje estas instrucciones en manos del consumidor.

Consumidor/usuario: Respete todas las advertencias e instrucciones al utilizar el artefacto.

Conserve estas instrucciones para futura referencia.



PELIGRO

Si huele a gas:

1. Apague el gas del artefacto.
2. Apague cualquier llama abierta.
3. Abra la tapa.
4. Si el olor continúa, manténgase alejado del artefacto y llame inmediatamente al departamento de bomberos.



ADVERTENCIA

1. No guarde ni utilice gasolina u otros líquidos o vapores inflamables cerca de este artefacto ni de ningún otro.
2. Ningún tanque de gas propano líquido (LP) que no esté conectado para su uso debe almacenarse en los alrededores de este u otro artefacto.
3. Esta parrilla es para utilizar sólo al aire libre y no se debe emplear dentro de un edificio, garaje ni ningún otro espacio cerrado.
4. No deje desatendida la parrilla cuando esté encendida. Asegúrese de que no haya niños ni mascotas cerca de la parrilla en ningún momento.

INFORMACIÓN DE SEGURIDAD

Lea y comprenda este manual por completo antes de intentar ensamblar, poner en funcionamiento o instalar el producto. Si tiene preguntas relacionadas con el producto, llame al Departamento de Atención al Cliente al 1-877-447-4768, de lunes a viernes de 8:00 a. m. a 4:30 p. m. (hora central estándar).

PELIGRO

- No se puede utilizar en una atmósfera explosiva. Asegúrese de que no haya material combustible, gasolina ni otros vapores y líquidos inflamables en el lugar donde se encuentra la parrilla.

ADVERTENCIA

Este producto y los combustibles utilizados para poner en funcionamiento este producto (propano líquido o gas natural), y los productos de la combustión de tales combustibles, pueden exponerlo a sustancias químicas como el benceno que, según el estado de California puede provocar cáncer y daños reproductivos.

Para obtener más información, visite www.p65Warnings.ca.gov

PRECAUCIÓN

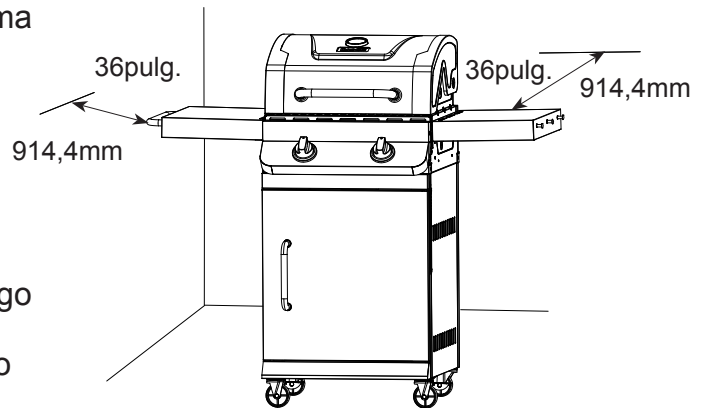
- No utilice carbón o líquido para encendedor en la parrilla.
- No use gasolina, queroseno o alcohol para encender la parrilla.
- Esta parrilla no está diseñada para usarse o instalarse en vehículos recreativos y/o botes.
- Siempre abra la tapa de la parrilla lentamente y con cuidado, ya que el calor y el vapor atrapados dentro de la parrilla pueden causarle quemaduras graves.
- Nunca intente operar esta parrilla con propano.
- Siempre utilice una agencia de servicio calificada para instalar todas las tuberías de suministro de gas natural, la válvula de cierre manual y los conectores de conexión rápida.



⚠ ADVERTENCIA

- No coloque la parrilla debajo de toldos o estructuras combustibles. La distancia mínima desde los laterales y la parte trasera de la unidad hasta una estructura combustible debe ser de 36 pulgadas (914,4 mm).

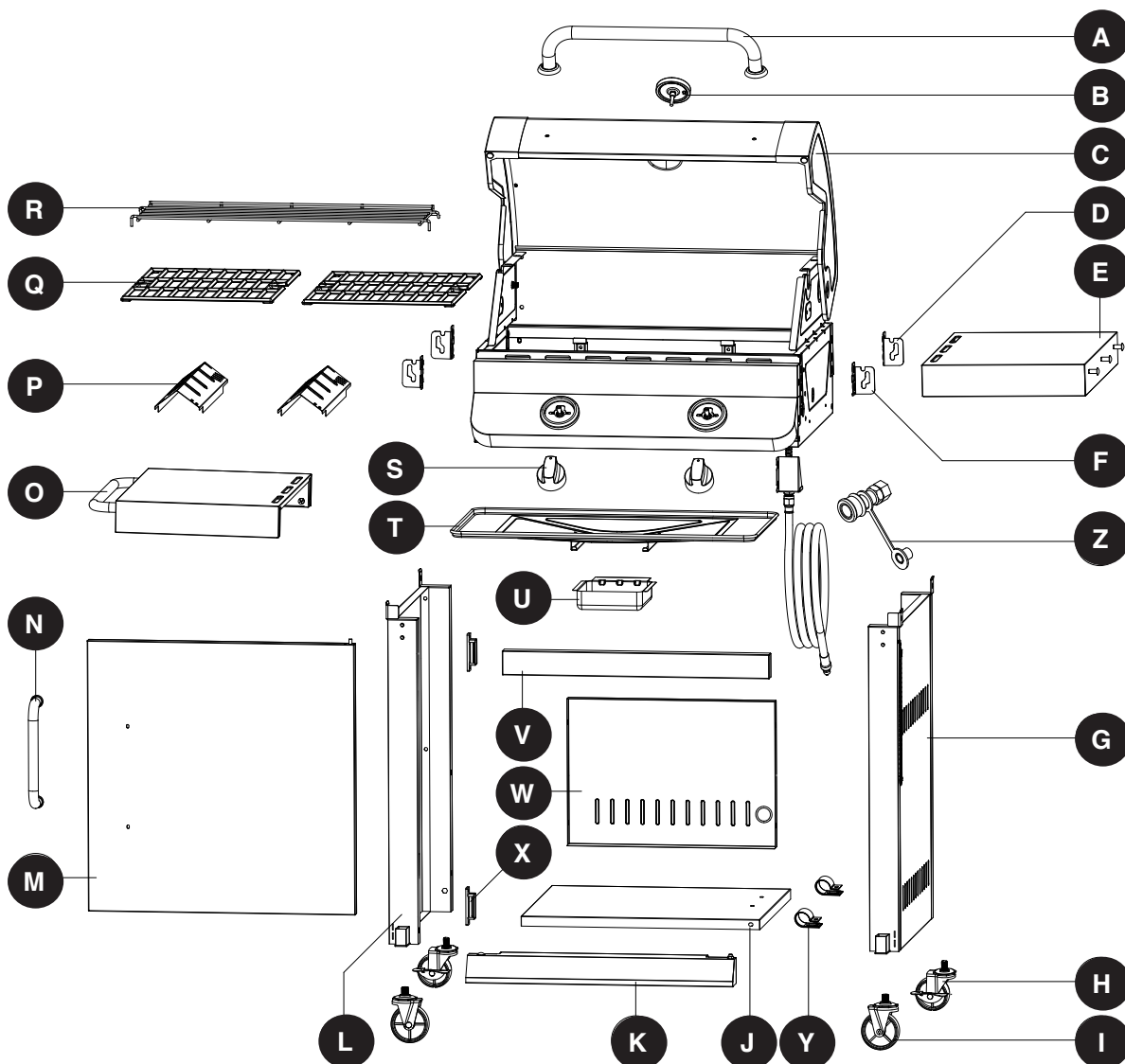
NOTA: La instalación debe cumplir con los códigos locales o, en ausencia de códigos locales, con el Código Nacional de Gas Combustible ANSI Z223.1/NFPA 54, el Código de Instalación de Gas Natural y Propano CSA B149.1 o el Código de Almacenamiento y Manipulación de Propano B149.2.



⚠ PRECAUCIÓN

- NO almacene ni utilice gasolina ni otros vapores o líquidos inflamables dentro de 8 metros (25 pies) de distancia de éste ni de ningún otro electrodoméstico. No almacene artículos inflamables dentro del carrito de la parrilla.
- No se debe guardar el tanque LP cerca de este artefacto ni de ningún otro.
- Esta parrilla solo se debe utilizar con gas natural.
- No intente conectar esta parrilla al sistema de gas propano autocontenido de un bote, remolque para camping, casa rodante o casa.
- No intente mover la parrilla mientras está encendida o caliente. Las ruedas deben estar con seguro cuando la parrilla no se esté moviendo.
- No use la parrilla a menos que esté completamente ensamblada y todas las piezas estén ajustadas y apretadas con firmeza.
- Mantenga todos los artículos y las superficies combustibles a una distancia mínima de 91,44 cm (36") de la parrilla en todo momento.
- No toque las piezas metálicas de la parrilla hasta que se hayan enfriado completamente (espere unos 45 minutos) para evitar quemaduras, a menos que utilice artículos de protección (almohadillas, guantes, manoplas para horno, etc...).
- No altere la parrilla de ninguna manera.
- Limpie e inspeccione la manguera antes de cada uso. Si hay evidencia de abrasión, desgaste, cortes o fugas, se debe reemplazar la manguera antes de operar el electrodoméstico. La manguera de reemplazo debe ser la especificada por el fabricante, que se menciona en la lista de piezas de repuesto de este manual.
- Coloque las mangueras de gas lo más lejos posible de superficies calientes y de donde pueda caer grasa caliente.
- Mantenga limpios el compartimiento de la válvula, los quemadores y los pasajes de circulación de aire de la parrilla. Inspeccione la parrilla antes de cada uso. No obstruya el flujo de gas o del aire de ventilación.
- El consumo de alcohol, medicamentos recetados o medicamentos sin receta puede disminuir la capacidad del usuario para armar o utilizar la parrilla de manera segura.
- **No deje la parrilla encendida sin supervisión. Mantenga a los niños y las mascotas alejados de la parrilla en todo momento.**
- No coloque la parrilla sobre ningún tipo superficie de mesa. La parrilla se debe colocar sobre una superficie plana y nivelada.
- No use la parrilla si hay viento fuerte.

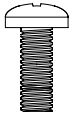
CONTENIDO DEL PAQUETE



PIEZA	DESCRIPCIÓN	CANT.	PIEZA	DESCRIPCIÓN	CANT.
A	Manija de la tapa	1	N	Manija de la puerta	1
B	Indicador de temperatura	1	O	Conjunto de la repisa lateral izquierda	1
C	Conjunto del cuerpo de la parrilla	1	P	Protector térmico	2
D	Abrazadera A de la repisa lateral	2	Q	Rejilla para cocinar	2
E	Conjunto de la repisa lateral derecha	1	R	Rejilla para calentar	1
F	Abrazadera B de la repisa lateral	2	S	Perilla de control	2
G	Conjunto del panel del lado derecho del carro	1	T	Grasera grande	1
H	Ruedecillas giratorias con mecanismo de bloqueo	2	U	Grasera pequeña	1
I	Ruedecillas giratorias sin mecanismo de bloqueo	2	V	Tirante de la puerta de la parte frontal superior	1
J	Repisa del panel inferior del carro	1	W	Panel trasero del carro	1
K	Conjunto del panel del borde inferior	1	X	Imán de la puerta	2
L	Conjunto del panel del lado izquierdo del carro	1	Y	Abrazadera de la manguera de gas natural	2
M	Conjunto de la puerta	1	Z	Acoplamiento de desconexión rápida	1

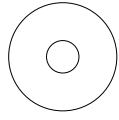
CONTENIDO DEL PAQUETE DE TORNILLERÍA

AA



Pernos
M6 x 16
Cant. 18

BB



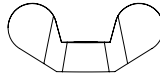
Arandela
plana
M6
Cant. 2

CC



Arandela
de resorte
M6
Cant. 2

DD



Tuerca
mariposa
M6
Cant. 2

EE



Pernos
M6 x 35
Cant. 4

FF



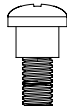
Pernos
M3 x 10
Cant. 4

GG



Pernos planos
M6 x 12
Cant. 8

HH



Perno de
tope
Cant. 4

II



Llave
Cant. 1

JJ



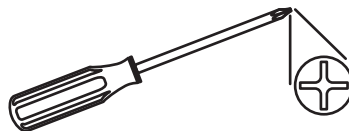
Pernos
M4 x 12
Cant. 2

PREPARACIÓN

Antes de comenzar el ensamblaje de este producto, asegúrese de que estén todas las piezas. Compare las piezas con la lista de contenido del paquete de la página anterior y el contenido del paquete de tornillería y herramientas de arriba. Si falta alguna pieza o está dañada, no intente ensamblar el producto. Comuníquese con el servicio de atención al cliente para solicitar piezas de repuesto.

Tiempo estimado de ensamblaje: 50 minutos entre 2 personas.

Herramientas requeridas para el ensamblaje y la prueba de detección de fugas (no incluidas):
Destornillador Phillips, botella con atomizador



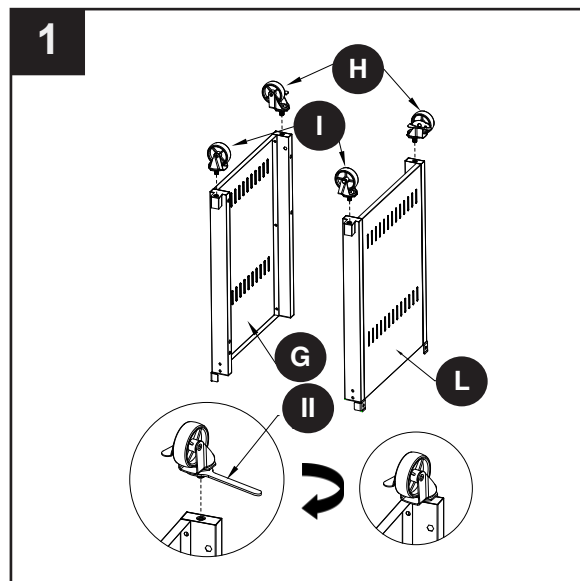
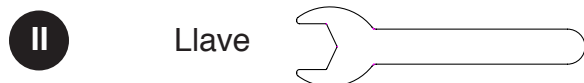
⚠ PRECAUCIÓN

ESTA UNIDAD ES PESADA. Se necesitan dos personas para realizar un ensamblaje seguro. Se necesitan dos personas para realizar un ensamblaje seguro. Algunas piezas pueden tener bordes afilados. Utilice guantes de protección si es necesario. Lea y siga todas las recomendaciones de seguridad, advertencias, instrucciones de ensamblaje e instrucciones de uso y cuidado antes de intentar ensamblar y usar la unidad.

INSTRUCCIONES DE ENSAMBLAJE

1. Fije las dos ruedecillas giratorias con mecanismo de bloqueo (H) y las dos ruedecillas giratorias sin mecanismo de bloqueo (I) al conjunto del panel del lado izquierdo del carro (L) y el conjunto del panel del lado derecho del carro (G) con la llave (II).

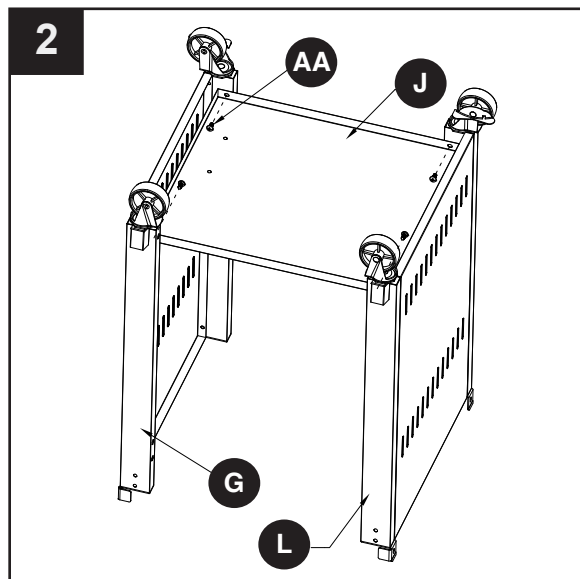
Herramientas y tornillería utilizadas



2. Fije el conjunto del panel del lado izquierdo del carro (L) y el conjunto del panel del lado derecho del carro (G) a la repisa del panel inferior del carro (J) con cuatro pernos M6 x 16 (AA).

NO AJUSTE LOS PERNOS TODAVÍA.

Herramientas y tornillería utilizadas



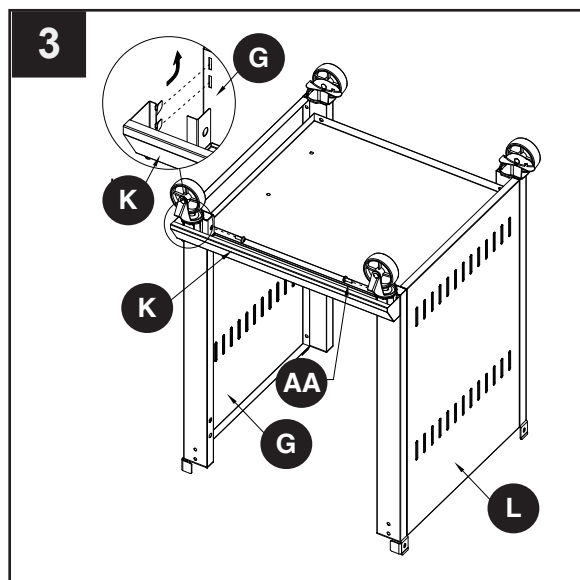
INSTRUCCIONES DE ENSAMBLAJE

3. Inserte el gancho en el conjunto del panel del borde inferior (K) en la ranura del conjunto del panel del lateral izquierdo del carro (L) y el conjunto del panel del lateral derecho del carro (G), como se muestra en la figura. Fije el conjunto del panel del borde inferior (K) al conjunto del panel del lateral izquierdo del carro (L) y al conjunto del panel del lateral derecho del carro (G) con dos pernos M6 x 16 (AA).

Ajuste firmemente TODOS los pernos del paso 2.

Tornillería utilizada

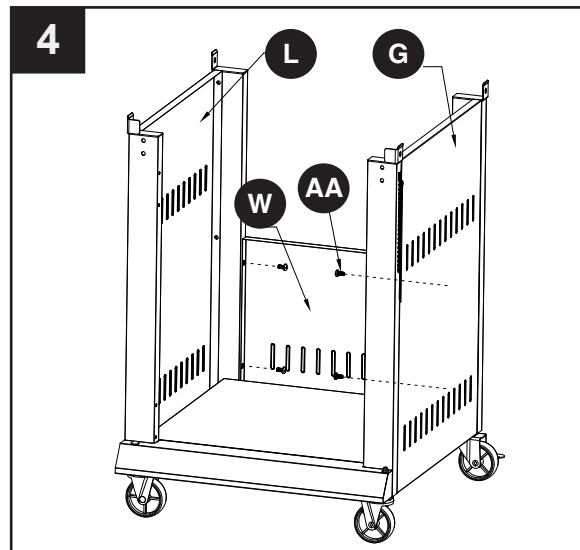
AA Pernos M6 x 16  x 2



4. Fije el panel trasero del carro (W) al conjunto del panel del lado izquierdo del carro (L) y al conjunto del panel del lado derecho del carro (G) con los cuatro pernos M6 x 16 (AA).

Tornillería utilizada

AA Pernos M6 x 16  x 4

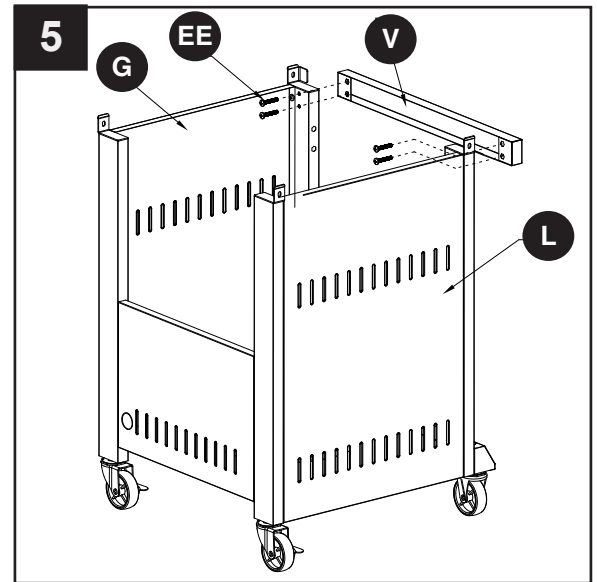


INSTRUCCIONES DE ENSAMBLAJE

5. Fije el tirante de la puerta de la parte frontal superior (V) al conjunto del panel del lado izquierdo del carro (L) y al conjunto del panel del lado derecho del carro (G) con cuatro pernos M6 x 35 (EE).

Herramientas y tornillería utilizadas

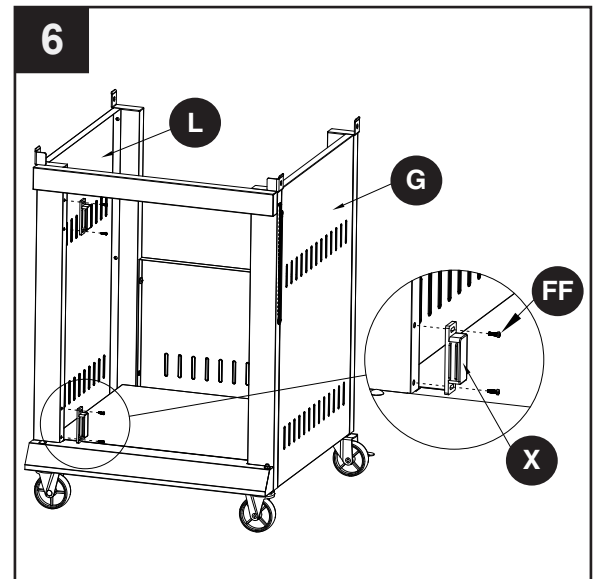
EE Pernos M6 x 35  x 4



6. Fije el imán de la puerta (X) al conjunto del lado izquierdo del carro (L) con cuatro pernos M3 x 10 (FF).

Herramientas y tornillería utilizadas

FF Pernos M3 x 10  x 4

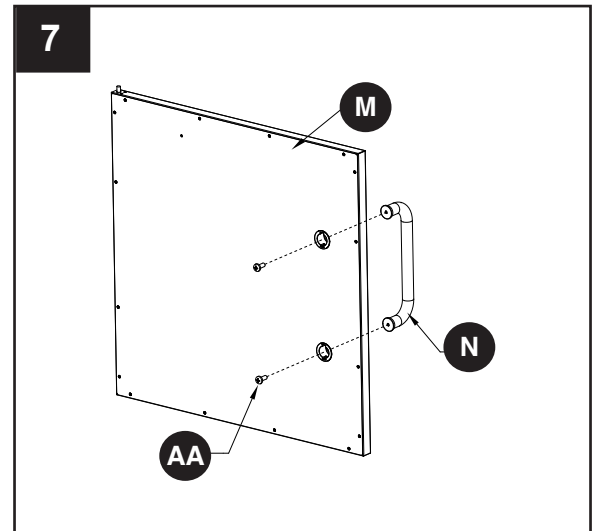


INSTRUCCIONES DE ENSAMBLAJE

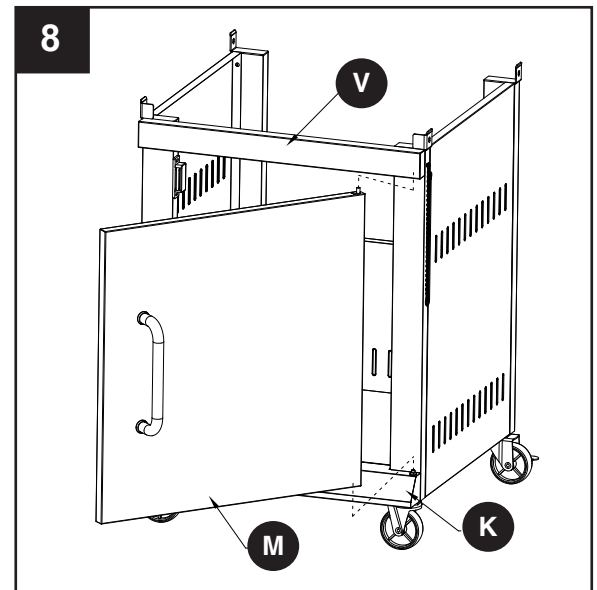
7. Fije la manija de la puerta (N) al conjunto de la puerta (M) con dos pernos M6 × 16 (AA).

Herramientas y tornillería utilizadas

AA Pernos M6 × 16  × 2



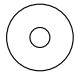


8. Inserte el pasador de la bisagra inferior del panel inferior del carro (K) en el orificio inferior del conjunto de la puerta (M), luego presione el resorte del pasador de la bisagra de la puerta en la parte superior del tirante de la puerta (V) como se muestra en la figura.

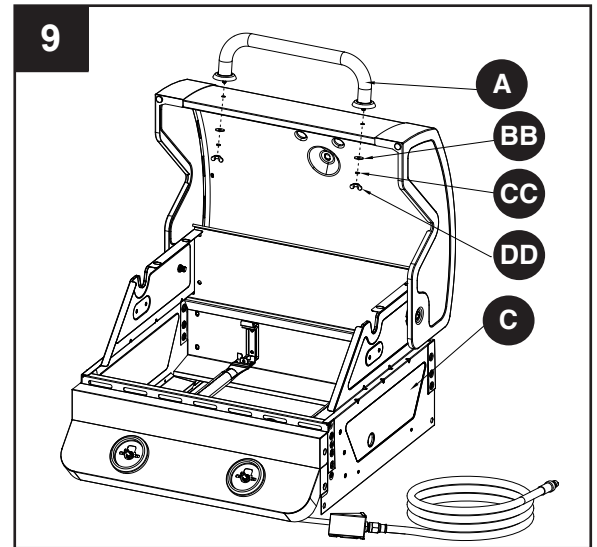


INSTRUCCIONES DE ENSAMBLAJE

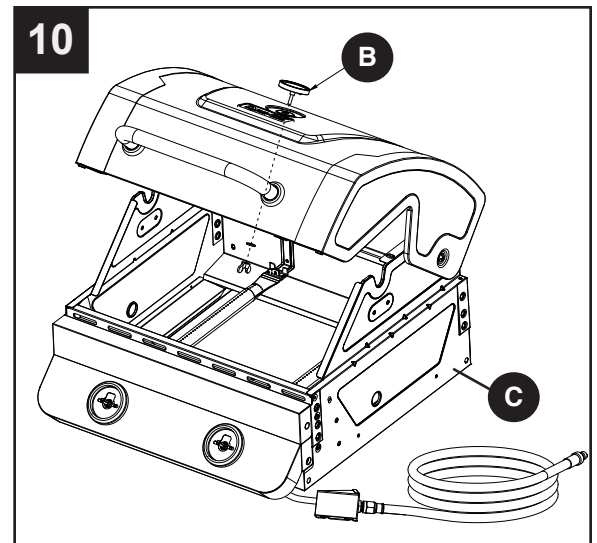
9. Fije la manija de la tapa (A) al conjunto del cuerpo de la parrilla (C) con dos tuercas mariposa (DD), dos arandelas de resorte M6 (CC) y dos arandelas planas M6 (BB).

Herramientas y tornillería utilizadas

BB	Arandela plana M6		x 2
CC	Arandela de resorte M6		x 2
DD	Tuerca mariposa M6		x 2



10. Retire la tuerca mariposa preensamblada y la arandela plana del indicador de temperatura (B), luego fije el indicador de temperatura (B) al conjunto del cuerpo de la parrilla (C). Asegure el indicador de temperatura (B) con la tuerca mariposa y la arandela plana que se retiraron anteriormente en este paso.



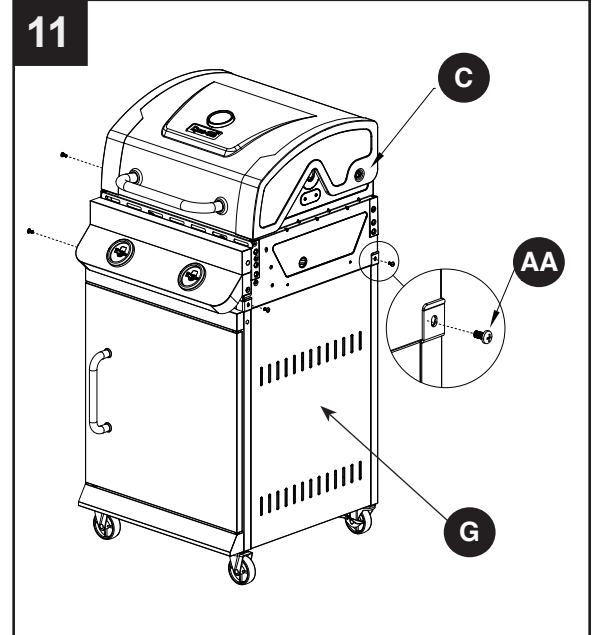
INSTRUCCIONES DE ENSAMBLAJE

11. Ubique cuidadosamente el cuerpo de la parrilla (C) en el conjunto del panel del lado izquierdo del carro (L) y el conjunto del panel del lado derecho del carro (G). Ajuste el cuerpo de la parrilla (C) de manera que los orificios en el cuerpo de la parrilla (C) estén alineados con los orificios en las lengüetas del conjunto del panel del lado izquierdo del carro (L) y del conjunto del panel del lado derecho del carro (G).

Nota: Asegúrese de la manguera de gas natural esté dentro del carro. Asegure el cuerpo de la parrilla (C) con cuatro tornillos M6 × 16 (AA).

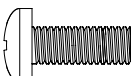

Herramientas y tornillería utilizadas

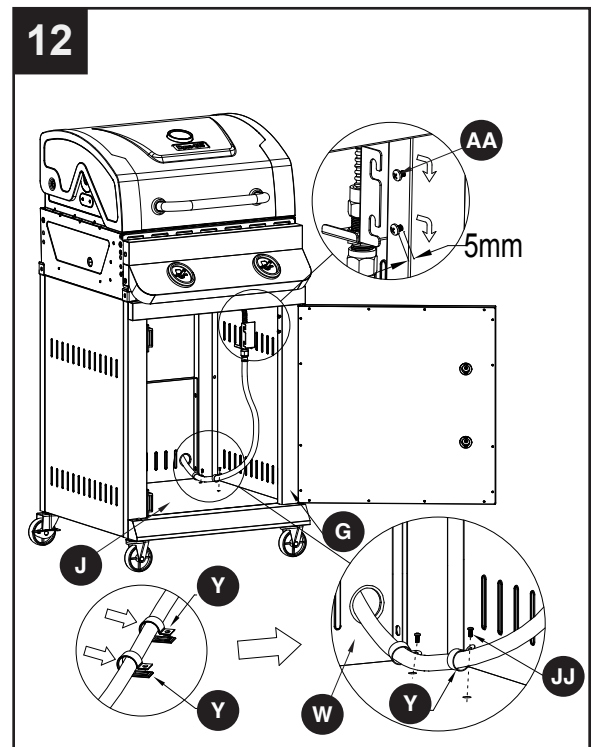
- AA** Pernos M6 × 16  × 4



12. Coloque dos pernos M6 x 16 (AA) en el conjunto del panel del lado derecho del carro (G) sin ajustarlos. Asegúrese de dejar un espacio libre de 5 mm entre el perno y el panel. Cuelgue la abrazadera de la manguera de gas natural en los pernos y ajuste ambos pernos. Coloque las abrazaderas de manguera de gas natural de dos piezas (Y) en la manguera. Fije la manguera de gas natural (Y) a la repisa inferior (J) con dos pernos M6 × 12 (JJ). **NOTA:** Asegúrese de que la manguera de gas natural salga a través del orificio en el panel trasero del carro (W).

Tornillería utilizada

- AA** Pernos M6 × 16  × 2
- JJ** Pernos M4 x 12  × 2

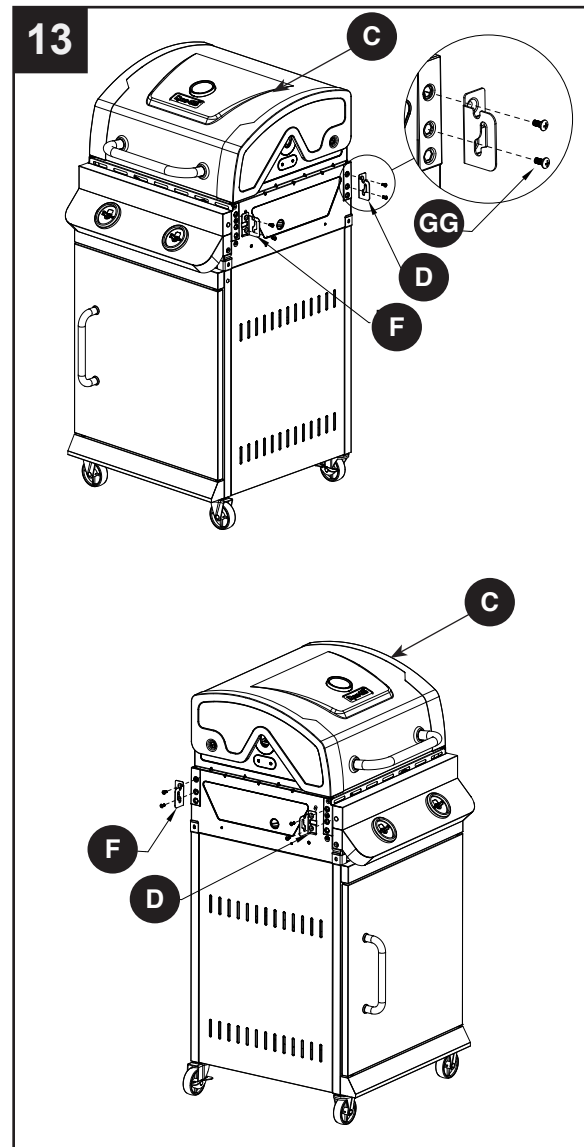


INSTRUCCIONES DE ENSAMBLAJE

13. Fije la abrazadera A de la repisa lateral (D) y la abrazadera B de la repisa lateral (F) al conjunto del cuerpo de la parrilla (C) con ocho pernos planos M6 x 12 (CG).

Herramientas y tornillería utilizadas

GG Pernos planos M6 x 12  x 8

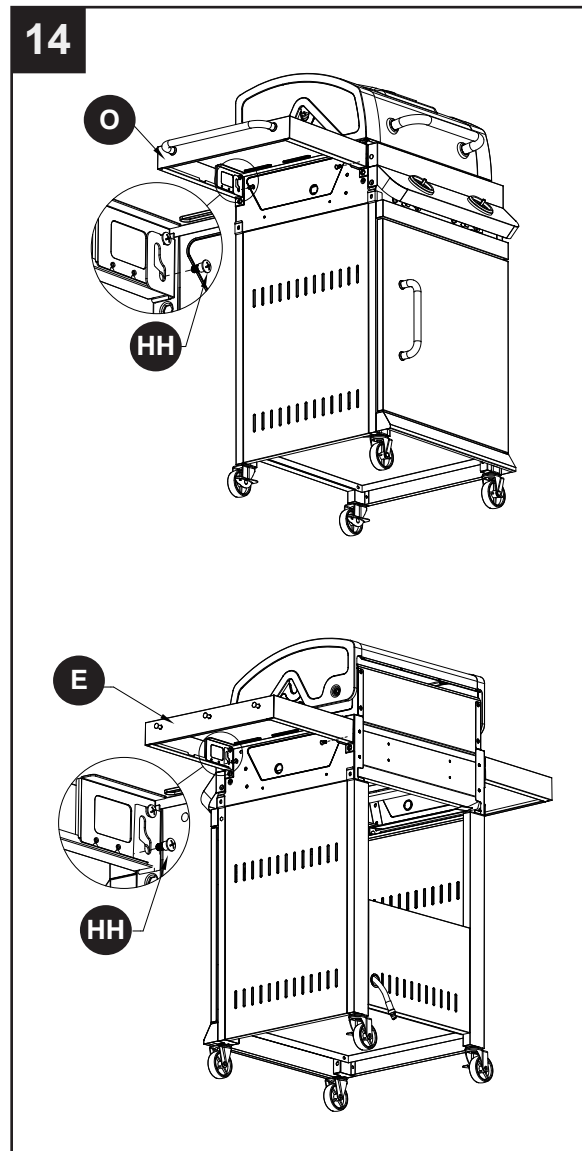
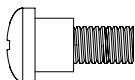


INSTRUCCIONES DE ENSAMBLAJE

14. Fije el conjunto de la repisa lateral (O) al soporte instalado en el paso 13 con dos pernos de tope (HH). Repita el proceso para el conjunto de la repisa lateral derecha (E).

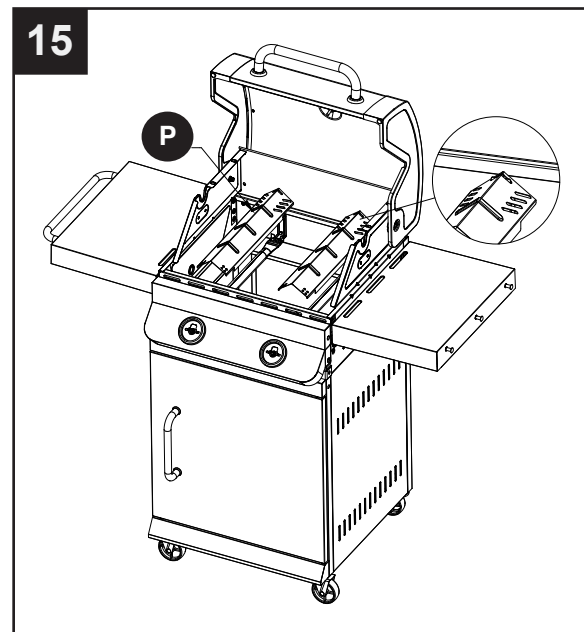
Tornillería utilizada

HH Perno de tope × 4

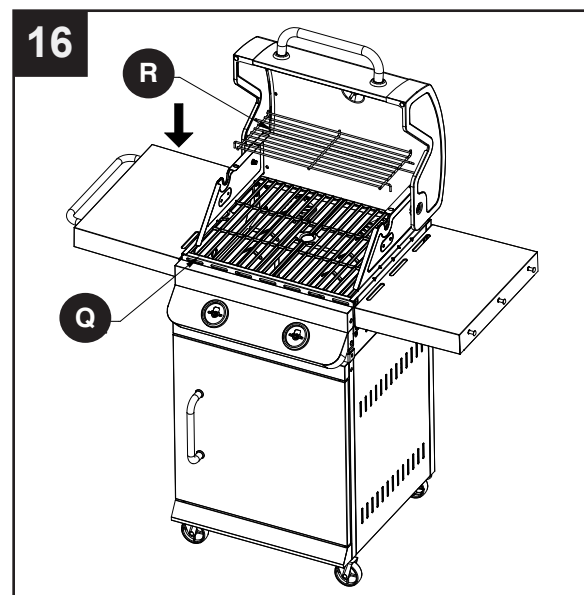


INSTRUCCIONES DE ENSAMBLAJE

15. Coloque dos protectores térmicos (P) en su lugar sobre cada quemador.

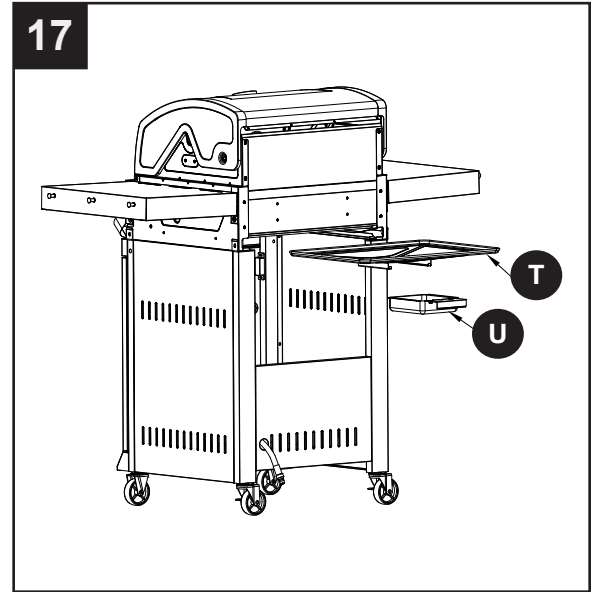


16. Coloque dos rejillas para cocinar (Q) y una rejilla para calentar (R) en su lugar.

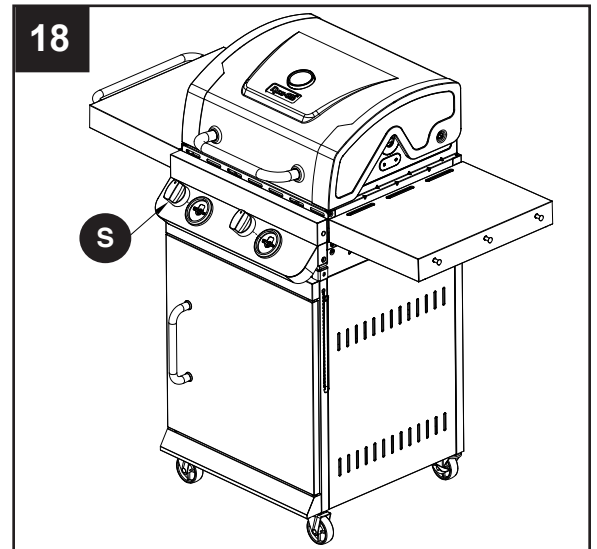


INSTRUCCIONES DE ENSAMBLAJE

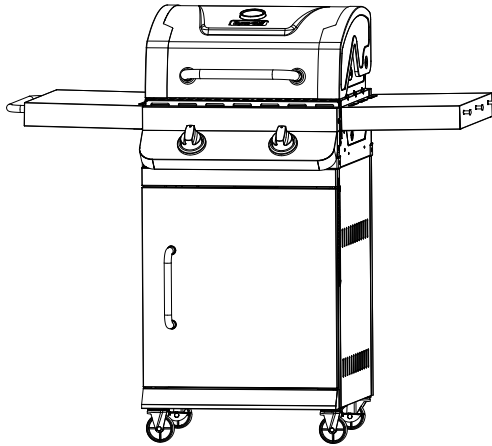
17. Ponga la graseira grande (T) y la graseira pequena (U) en su lugar.



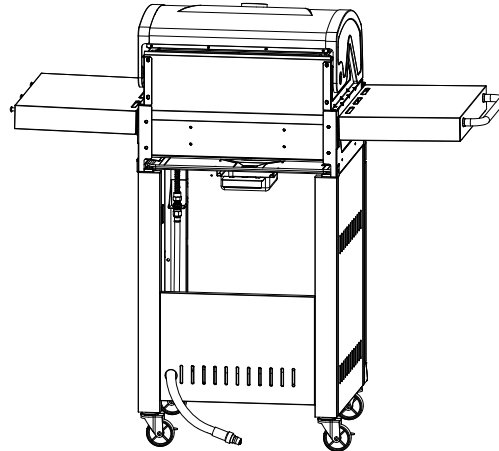
18. Inserte las dos perillas de control (S) en los vástagos de la válvula.



Ensamblado por completo



Vista frontal



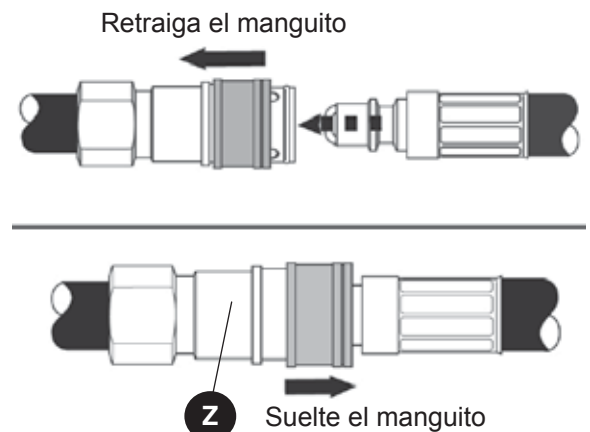
Vista trasera

CONEXIÓN DE LA PARRILLA AL SUMINISTRO DE GAS NATURAL

- El socket de desconexión rápida (Z) y la tubería de gas de suministro lo debe instalar una agencia de servicio calificada. La conexión de suministro se debe realizar de acuerdo con los códigos locales o, en su ausencia, el National Fuel Gas Code, A NSI Z223.1/NFPA 54, en los Estados Unidos, o el Natural Gas and Propane Installation Code, CSA B149.1, en Canadá.
- Se debe instalar una válvula de cierre manual de tamaño adecuado entre la parrilla y la tubería de suministro.
- La parrilla y su válvula de cierre individual se deben desconectar del sistema de tubería de suministro de gas durante cualquier procedimiento de prueba del sistema a presiones de prueba que excedan los 0,5 PSI/3,5 kPa).
- La parrilla se debe desconectar del sistema de tuberías de suministro de gas cerrando la válvula de cierre manual individual durante cualquier prueba de presión del sistema de tuberías de suministro de gas a presiones iguales o inferiores a 0,5 PSI (3,5 kPa).
- Siempre conecte la manguera de suministro de gas flexible al suministro de gas antes de operar la válvula de cierre manual.

PARA CONECTAR:

1. Asegúrese de que la válvula de cierre de gas natural esté cerrada.
2. Retire las tapas protectoras de goma del tapón y los extremos de los manguitos de los conectores de conexión rápida. Verifique que los conectores estén limpios.
3. Retraiga el manguito en el acoplador como se muestra.
4. Inserte el tapón y libere el manguito como se muestra.
5. Presione el tapón en el manguito hasta que el manguito encaje hacia delante para fijar el tapón en el acoplador.
6. Abra la válvula de cierre de gas natural.



PARA DESCONECTAR:

1. Cierre el suministro de gas natural en la válvula de cierre.
2. Tire del manguito y jale suavemente el tapón hasta sacarlo.
3. Vuelva a colocar las tapas protectoras de goma en el tapón y los extremos de los manguitos de los conectores de desconexión rápida.

⚠ ADVERTENCIA

En el proceso de conexión, asegúrese de que:

- La manguera de suministro de gas no entre en contacto con la cámara de combustión

BÚSQUEDA DE FUGAS

Después de realizar todas las conexiones, verifique que no haya fugas en todas las conexiones y los conectores del conector rápido de gas natural, la manguera de gas y el tubo colector con una solución de agua y jabón.

Para evitar incendios o explosiones mientras realiza la prueba de fugas:

- Siempre realice la prueba de fugas antes de encender la parrilla.
- No fume mientras realiza la prueba de fugas.
- Siempre realice las pruebas de fugas en exteriores, en un área bien ventilada.
- No use ninguna fuente de fuego mientras realiza la prueba de fugas.
- No use la parrilla hasta que corrija todas las fugas.
- Si no puede corregir una fuga, cierre la válvula de cierre de gas natural y llame a una agencia de servicio de electrodomésticos a gas.

CÓMO REALIZAR LA PRUEBA DE FUGAS

- Prepare una solución para pruebas de fugas combinando 1 parte de detergente líquido para platos y 3 partes de agua. La solución total que se requiere es aproximadamente 59,15 a 88,72 ml (2 a 3 oz). Coloque la solución para pruebas de fugas en un atomizador.
- Asegúrese de que todas las perillas de control estén en la posición APAGADO.
- Conecte la manguera de gas al suministro de gas.
- Abra la válvula de cierre de gas.
- Rocíe la solución para pruebas de fugas en todas las conexiones y los conectores por donde circule gas. La presencia de burbujas en áreas donde se aplicó la solución para pruebas de fugas indica que hay una fuga de gas. Si se detectan fugas de gas o huele o escucha gas, cierre la válvula de suministro de gas inmediatamente y repare o reemplace la pieza defectuosa. No use la parrilla hasta que haya reparado todas las fugas.

⚠ PRECAUCIÓN

Use solamente el ensamble la manguera incluido. Si necesita un repuesto, llame a nuestro centro de servicio al cliente. No use piezas de repuesto que no están diseñadas para esta parrilla.

⚠ ADVERTENCIA

SE DEBEN SEGUIR TODAS LAS INSTRUCCIONES Y MEDIDAS DE SEGURIDAD DE ESTA PÁGINA PARA EVITAR INCENDIOS, DAÑOS Y/O LESIONES.

INSTRUCCIONES DE FUNCIONAMIENTO

Encender la parrilla

Antes de utilizar la unidad por primera vez:


Quite todas las presillas o las fajas de plástico, si están presentes. Es importante que limpie su nueva parrilla a gas con calor antes de utilizarla por primera vez. Para esto, ponga en funcionamiento la parrilla durante aproximadamente 15 minutos, con la tapa cerrada, y la perilla de control en la posición de llama máxima. De esta manera, se limpiarán las piezas internas al quemar los residuos y olores que queden del proceso de fabricación.

⚠ PRECAUCIÓN

Si la llama se apaga accidentalmente durante el encendido o durante el funcionamiento, CIERRE inmediatamente la válvula de cierre de gas natural y luego APAGUE la perilla de control.

⚠ ADVERTENCIA

No se apoye sobre la parrilla cuando la esté encendiendo. Lea las instrucciones antes de encenderla. No coloque ollas en el quemador lateral para dorar. Usar ollas en el quemador lateral para dorar puede causar altos niveles de monóxido de carbono.



1. Verifique que las perillas de control estén en la posición APAGADO ○.
2. Abra el suministro de gas natural en la válvula de cierre.
3. Abra la tapa durante el encendido.
4. Presione y gire la perilla de control en sentido contrario  a las agujas del reloj desde la posición APAGADO ○, pase la posición de encendido ⚡, hasta la posición ALTO 🔥. Puede que tenga que repetir este procedimiento varias veces hasta encender el quemador.

Si no se enciende en 5 segundos, gire la(s) perilla(s) de control a la posición APAGADO ○, espere 5 minutos y repita el procedimiento de encendido.

Si el quemador no se enciende aún, verifique que la válvula de cierre manual de gas esté abierta y siga las instrucciones de encendido con cerilla. Consulte la página 82 de la Guía de solución de problemas para más información.

INSTRUCCIONES DE FUNCIONAMIENTO

ENCENDER LA PARRILLA CON UN FÓSFORO

1. Abra la tapa.
2. Inserte un fósforo en el extremo del portafósforo que está instalado dentro de la puerta del gabinete.
3. Encienda el fósforo.
4. Coloque inmediatamente el fósforo encendido en las rejillas de la parrilla, cerca de los puertos del quemador, entre los protectores térmicos, tal como se ilustra. Asegúrese de que el fósforo encendido esté cerca de los puertos del quemador.
5. Presione la perilla de control que acciona el quemador y gírela en sentido  contrario a las agujas del reloj hasta la posición  de llama máxima.
El quemador debería encenderse de inmediato.
6. Repita los pasos 2 a 5 para encender el resto de los quemadores.
7. Ajuste los quemadores a los valores de cocción deseados.

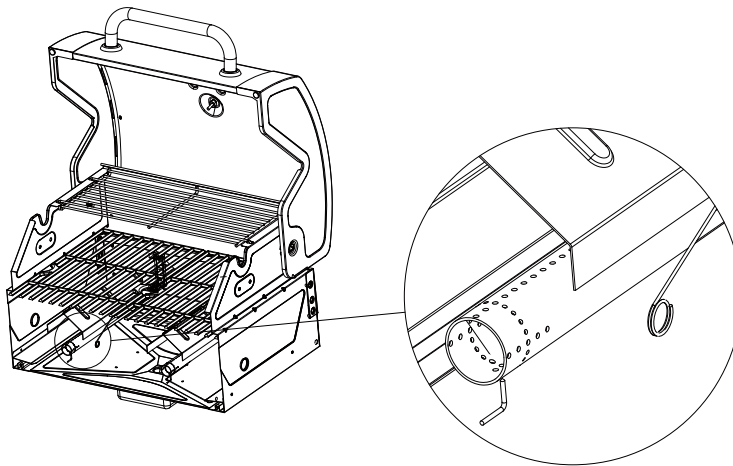
⚠ PRECAUCIÓN

Asegúrese de que todos los controles de los quemadores estén apagados, a excepción del quemador que va a encender y los quemadores que ya se encendieron.


⚠ ADVERTENCIA

Si este no se enciende en 5 segundos, gire la(s) perilla(s) de control a la posición de APAGADO "O", espere 5 minutos y repita el procedimiento de encendido.

Encendido con fósforo del quemador principal



INSTRUCCIONES DE APAGADO

1. Gire las perillas de control  en el sentido de las agujas del reloj hasta la posición de apagado **O**.
2. Cierre completamente la válvula de cierre de gas natural.
3. Cierre la tapa.

Cierre la válvula de cierre de gas natural cuando el artefacto no esté en uso.

CUIDADO Y MANTENIMIENTO

Rejillas para cocinar

El mejor momento para limpiar con calor las rejillas de la parrilla es después de cada uso (aproximadamente 15 minutos). La parrilla ya está caliente luego de cocinar y, por lo tanto, requiere menos combustible para llegar a la temperatura necesaria para "limpiar con calor".

Para limpiar con calor su parrilla, lleve los quemadores a la posición de llama máxima y déjelos funcionar así durante 15 minutos con la tapa cerrada. Apague los quemadores y utilice un cepillo de alambre para limpiar los restos de alimentos de las rejillas.

Las rejillas tienen un acabado de porcelana esmaltada (similar al vidrio) y deben manipularse con cuidado para que no se dañen.

⚠ PRECAUCIÓN

Verifique que la parrilla esté fría antes de limpiarla y de realizar el mantenimiento. Cuide además que el suministro de gas esté cerrado de la válvula de cierre de gas natural.

Elementos de limpieza recomendados

Lavavajillas líquido suave, agua tibia, esponja de fibra de nylon, cepillo de alambre
NO utilice limpiadores que contengan ácido, minerales ni sustancias abrasivas.

Superficies exteriores

Se recomienda utilizar solo lavavajillas suave y agua caliente para limpiar la parrilla y sus piezas. Enjuague con agua caliente.

Bandeja inferior interna del cuerpo de la parrilla

Para evitar que se produzcan llamaradas, la parte inferior de la parrilla se debe limpiar regularmente. Retire el residuo con un cepillo, una espátula o un paño de limpieza. Limpie con lavavajillas suave y agua tibia. Enjuague con agua caliente. Evite salpicar agua en los tubos de Venturi de los quemadores.

Protectores térmicos

Limpie los residuos con el cepillo de alambre y lave con lavavajillas suave y agua tibia. Enjuague con agua caliente.

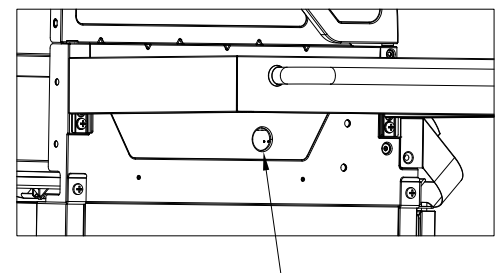
Grasera pequeña

Vacíe la grasera pequeña y límpiela regularmente con lavavajillas y agua tibia.

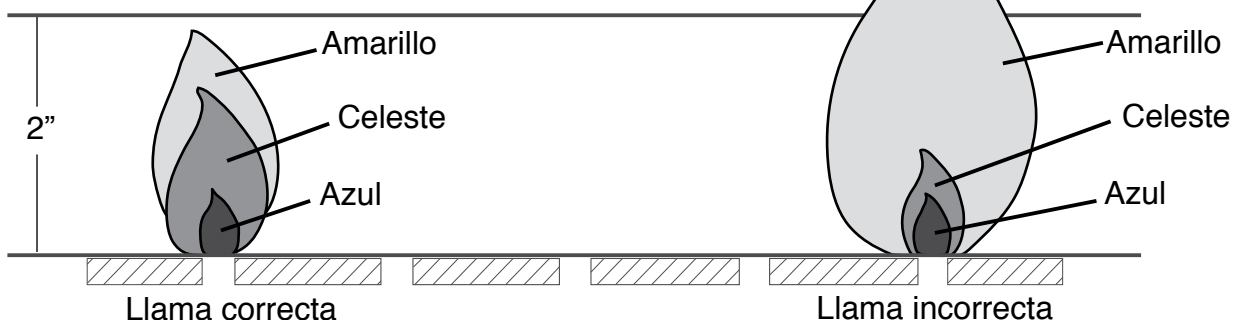
Verificar la llama

Para lograr máxima eficiencia del combustible y mejor rendimiento al cocinar, la llama debe ser de color azul-amarilla y tener entre 1 y 2 pulgadas de alto.

Para controlar la llama, obsérvela por los orificios ubicados a ambos lados de la cámara de combustión.



Orificio para ver la llama



CUIDADO Y MANTENIMIENTO

Conjunto del quemador

Retirar el conjunto del quemador

1. Asegúrese de que la perilla de control esté en la posición de APAGADO, la válvula de suministro de gas esté cerrada y la manguera de gas esté desconectada del suministro de gas.
2. Abra la tapa y retire la rejilla para calentar, las rejillas para cocinar y los protectores térmicos.
3. Retire las varillas de la bisagra, como se muestra en la Figura 1.
4. Quite los quemadores principales de la cámara de combustión.
5. Desconecte el cable de encendido del electrodo (Figura 2).

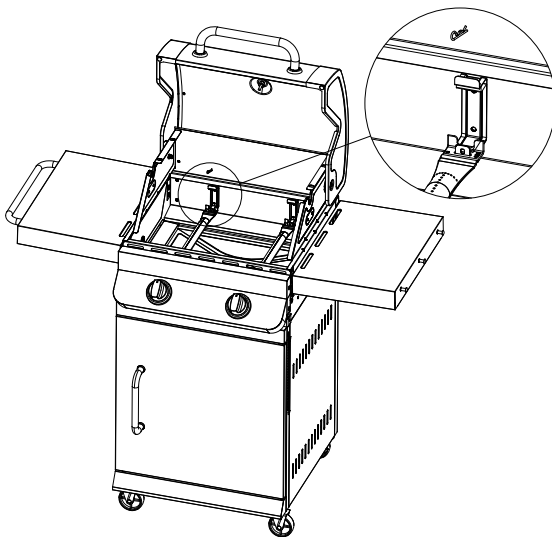
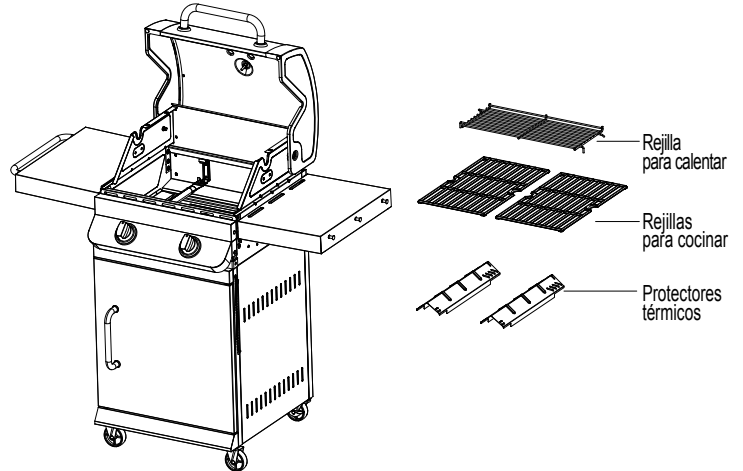


Figura 1

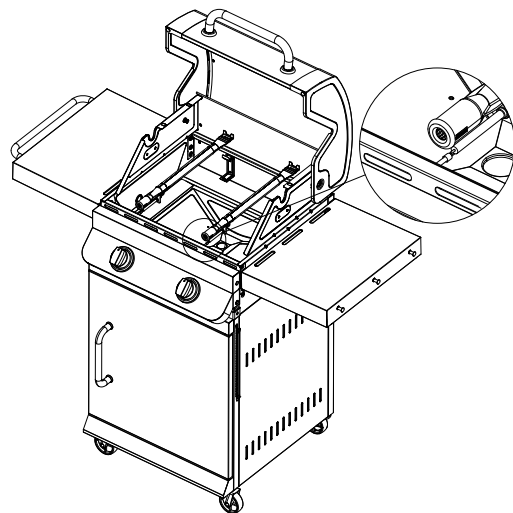


Figura 2

CUIDADO Y MANTENIMIENTO

Limpiar el conjunto del quemador

– Asegúrese de que la parrilla esté fría.

1. Verifique que todos los puertos del quemador estén libres de obstrucciones. También funciona si usa un alfiler o sujetapapeles.
2. Asegúrese de que el quemador esté libre de daños. Si encuentra algún daño, reemplácelo por uno nuevo.
3. Asegúrese de que el extremo del quemador y la pantalla de aire principal estén libres de nidos de insectos, suciedad o tierra.

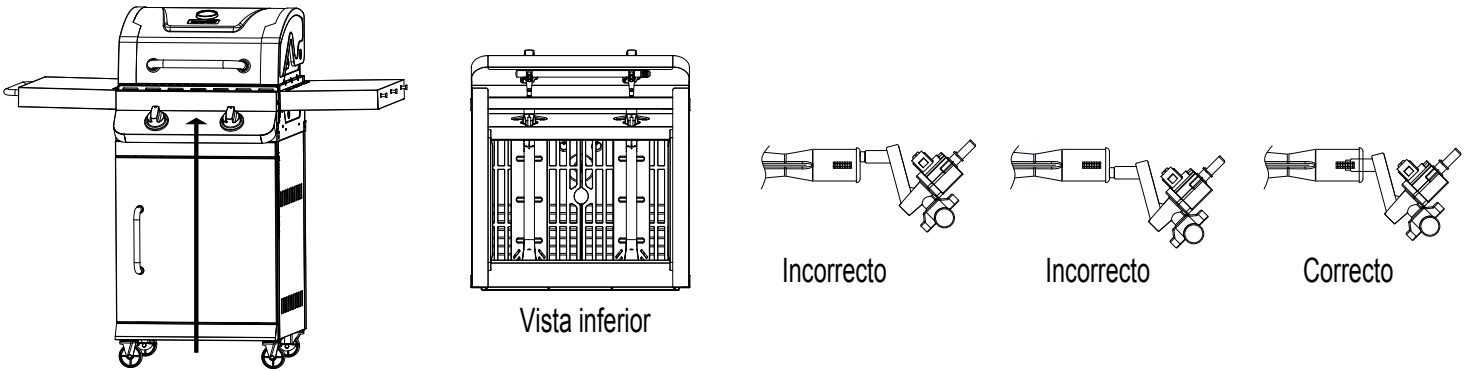
Volver a instalar el quemador

Verifique que los orificios de la válvula de gas estén posicionados correctamente dentro de la entrada del quemador interior (Venturi).

Es posible que deba utilizar una linterna para asegurarse de que la posición sea la correcta.

Se recomienda visualizar la posición correcta a través de los orificios de ventilación de la cámara de combustión, tal como se ilustra a continuación.

Vuelva a conectar cada quemador con el pasador de la bisagra y vuelva a conectar el cable de encendido al electrodo.



Observe la posición correcta desde la parte inferior de la cámara de combustión

⚠ ADVERTENCIA

Si no se siguen las instrucciones anteriores, podría producirse un incendio o una explosión, lo que puede provocar lesiones graves o la muerte.

Otros procedimientos de cuidado y mantenimiento

Se recomienda que un técnico cualificado inspeccione y repare todos los años este artefacto.

Le recomendamos que antes de encenderlo, verifique siempre que la zona exterior donde se encuentra el artefacto para cocinar esté limpia y libre de material combustible, gasolina, y otros vapores y líquidos inflamables.

Se aconseja revisar con regularidad que el flujo de combustión y el aire de ventilación no estén obstruidos.

Se recomienda que verifique con regularidad que las aberturas de ventilación del gabinete de la parrilla estén libres de suciedad.

Aconsejamos que revise y limpie con regularidad los tubos del quemador/Venturi para que no haya insectos ni nidos de insectos. Un tubo obstruido puede ocasionar un incendio debajo de la parrilla.

SOLUCIÓN DE PROBLEMAS

Si tiene alguna pregunta acerca de este producto, llame al Departamento de Atención al Cliente al 1-877-447-4768, de lunes a viernes de 8:00 a. m. a 4:30 p. m. (hora central estándar).

PROBLEMA	CAUSA POSIBLE	ACCIÓN CORRECTIVA
El quemador no se enciende con el procedimiento de encendido (se produce una chispa débil o no se produce ninguna chispa).	<ol style="list-style-type: none">1. El electrodo de encendido podría estar cubierto de grasa o residuos.2. El electrodo de encendido podría tener un cable suelto o desconectado.3. Electrodo de encendido roto o dañado.	<ol style="list-style-type: none">1. Limpie el electrodo de encendido.2. Revise la conexión y vuelva a conectar los cables sueltos o desconectados.3. Reemplace el electrodo de encendido (consulte la Lista de piezas de repuesto).
Bajo nivel de calentamiento.	<ol style="list-style-type: none">1. Presión de gas insuficiente para la unidad.	<ol style="list-style-type: none">1. Llame a una agencia de servicio calificada para verificar la presión del suministro de gas y corregirla.
Demasiadas llamaradas.	<ol style="list-style-type: none">1. Acumulación de grasa y/o residuo en los protectores térmicos o en la cámara de combustión.2. Goteo excesivo de grasa o adobos de la comida.3. La temperatura de cocción es demasiado elevada.	<ol style="list-style-type: none">1. Limpie los componentes de la parrilla.2. Retire la grasa de la carne y utilice adobos que no sean a base de aceite.3. Disminuya la temperatura según corresponda.

SOLUCIÓN DE PROBLEMAS

PROBLEMA	CAUSA POSIBLE	ACCIÓN CORRECTIVA
El quemador no se enciende con un fósforo.	<ol style="list-style-type: none">1. El fósforo no alcanza los quemadores (al sostenerlo con la mano).2. El suministro de gas está cerrado.3. Hay una mala conexión entre el conector del tapón de la manguera de gas y el acoplador de los manguitos.4. La entrada del quemador está bloqueada.	<ol style="list-style-type: none">1. Use el soporte para fósforos que se encuentra en la puerta del gabinete.2. Verifique que la válvula de cierre de suministro de gas natural esté abierta.3. Apague las perillas de la parrilla, cierre la válvula de cierre de suministro de gas y verifique la conexión entre el tapón y el acoplador de los manguitos. Desconecte y vuelva a conectar, si es necesario.4. Limpie la entrada del quemador (venturi) y el quemador como se describe en la sección Cuidado y mantenimiento de este manual.
No hay flujo de gas o éste está obstruido.	<ol style="list-style-type: none">1. El suministro de gas está cerrado.2. Hay una mala conexión entre el conector del tapón de la manguera de gas y el acoplador de los manguitos.3. La entrada del quemador está bloqueada.	<ol style="list-style-type: none">1. Verifique que la válvula de cierre de suministro de gas manual esté abierta.2. Apague las perillas de la parrilla, cierre la válvula de cierre de suministro de gas y verifique la conexión entre el tapón y el acoplador de los manguitos. Desconecte y vuelva a conectar, si es necesario.3. Limpie la entrada del quemador (venturi) y el quemador como se describe en la sección Cuidado y mantenimiento de este manual.

GARANTÍA LIMITADA

Garantía limitada por 1 año

Esta parrilla de gas natural tiene garantía por 1 año (5 años en los quemadores de acero inoxidable) contra piezas rotas o dañadas en el momento de la compra. Se garantiza que está libre de defectos. La pintura tiene una garantía contra defectos, a excepción del óxido, que podría aparecer después de varios usos.

Esta garantía no cubre los daños o problemas relacionados con negligencia, uso, indebido o modificaciones realizadas al artefacto. El trabajo de reparación no está cubierto.

Todas las piezas que cumplan con los requisitos de la garantía serán enviadas sin cargo a discreción del fabricante (envíos terrestres, correo de EE. UU. o servicio de encomiendas ÚNICAMENTE). Los cargos de entrega especial (es decir, entrega de segundo día, antes del mediodía, etc.) serán responsabilidad del consumidor.

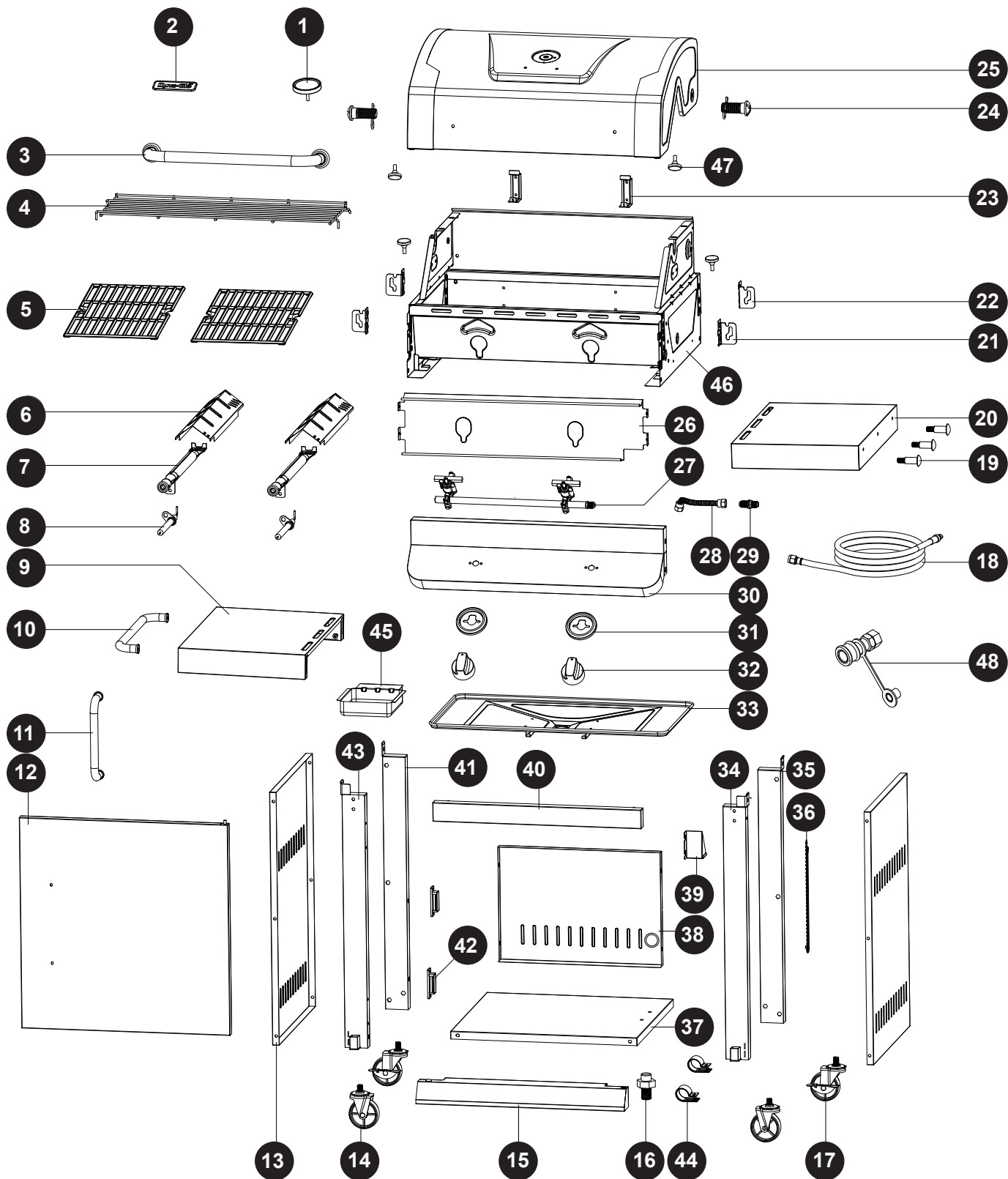
Todos los reclamos bajo la garantía solo se aplican al comprador original y requieren una prueba de la compra que verifique la fecha de compra. No devuelva piezas sin antes obtener el número de autorización de devolución emitido por nuestro servicio de atención al cliente. Este servicio está disponible a través del número gratuito 1-877-447-4768, de lunes a viernes de 8:00 a. m. a 4:30 p. m. (hora central estándar).

AVISO: Algunos estados no permiten la exclusión o limitación de daños incidentales o indirectos por el tiempo que dura una garantía implícita. Por lo tanto, es posible que las limitaciones o exclusiones mencionadas no se apliquen en su caso. Esta garantía otorga derechos legales específicos, y podría haber otros derechos legales aplicables según el estado.

GHP Group Inc.
6440 W. Howard Street
Niles, IL, EE. UU.
60714-3302

Nombre del artículo: Parrilla premier con 2 quemadores para gas natural
N.º de modelo: DGP321SNN / DGP321SNN-D / DGP321CNN / DGP321CNN-D
DGP321GNN / DGP321GNN-D / DGP321MNN / DGP321MNN-D
Total nominal de BTU del quemador principal: 24 000 BTU/h

LISTA DE PIEZAS DE REPUESTO



LISTA DE PIEZAS DE REPUESTO

Para obtener las piezas de repuesto, llame a nuestro Departamento de Atención al Cliente al 1-877-447-4768, de lunes a viernes de 8:00 a. m. 4:30 p. m. (hora central estándar).

PIEZA	DESCRIPCIÓN	N.º DE PIEZA
1	Conjunto del indicador de temperatura	70-01-786
2	Placa	70-10-540
3	Manija de la tapa	70-01-853
4	Rejilla para calentar	70-01-854
5	Rejilla para cocinar	70-01-855
6	Protector térmico	70-01-791
7	Quemador principal con presilla (Gas natural)	70-02-477
8	Encendedor del quemador principal	70-01-793
9	Conjunto de la mesa del lado izquierdo	70-01-859
10	Manija para toallas	70-01-795
11	Manija de la puerta	70-01-797
12	Conjunto de la puerta - DGP321SNN-D/DGP321SNN - Inoxidable	70-01-862
	Conjunto de la puerta - DGP321CNN-D/DGP321CNN - Negro	70-01-863
	Conjunto de la puerta - DGP321GNN-D/DGP321GNN - Bronce de cañón	70-01-864
	Conjunto de la puerta - DGP321MNN-D/DGP321MNN - Café moca	70-01-865
13	Panel del lado del carro	70-01-803
14	Ruedecillas giratorias sin mecanismo de bloqueo	70-01-805
15	Conjunto del panel del borde inferior	70-02-401
16	Eje de la puerta	70-01-809
17	Ruedecillas giratorias con mecanismo de bloqueo	70-01-806
18	Manguera de gas natural (3/8")	70-02-484
19	Gancho para herramientas	70-01-823
20	Conjunto de la mesa del lado derecho	70-01-874
21	Abrazadera A de la repisa lateral	70-01-875
22	Abrazadera B de la repisa lateral	70-01-876
23	Soporte del quemador principal del protector térmico	70-01-833
24	Bisagra de la tapa (con tuerca, arandela y presilla)	70-01-827
25	Conjunto de la tapa - DGP321SNN-D/DGP321SNN - Inoxidable	70-01-879
	Conjunto de la tapa - DGP321CNN-D/DGP321CNN - Negro	70-01-880
	Conjunto de la tapa - DGP321GNN-D/DGP321GNN - Bronce de cañón	70-01-881
	Conjunto de la tapa - DGP321MNN-D/DGP321MNN - Café moca	70-01-882
26	Pantalla térmica del panel de control	70-01-883
27	Conjunto del colector y las válvulas principales (gas natural)	70-02-544
28	Conjunto de la manguera corrugada	70-01-836
29	Conector	70-01-886
30	Panel de control - DGP321SNN-D/DGP321SNN, DGP321GNN-D/DGP321GNN, DGP321MNN-D/DGP321MNN - Inoxidable	70-01-887
	Panel de control - DGP321CNN-D/DGP321CNN - Negro	70-01-888

LISTA DE PIEZAS DE REPUESTO

Para obtener las piezas de repuesto, llame a nuestro Departamento de Atención al Cliente al 1-877-447-4768, de lunes a viernes de 8:00 a. m. 4:30 p. m. (hora central estándar).

PIEZA	DESCRIPCIÓN	N.º DE PIEZA
31	Bisel de la perilla de control	70-01-184
32	Perilla de control	70-01-185
33	Grasera grande	70-01-891
34	Tubo de la pata frontal derecha del carro	70-02-407
35	Tubo de la pata trasera derecha del carro	70-01-893
36	Portafósforo con cadena	70-01-846
37	Repisa del panel inferior del carro	70-02-489
38	Panel trasero del carro	70-02-490
39	Soporte del manguera de gas natural	70-01-897
40	Tirante de la puerta de la parte frontal superior	70-01-898
41	Tubo de la pata trasera izquierda del carro	70-01-899
42	Imán de la puerta	70-01-807
43	Tubo de la pata frontal izquierda del carro	70-02-404
44	Abrazadera de la manguera de gas natural	70-02-480
45	Grasera pequeña	70-01-844
46	Conjunto de la cámara de combustión	70-01-904
47	Tope de la tapa	70-01-832
48	Acoplamiento de desconexión rápida	70-02-479
AA-JJ	Paquete de tornillería	70-09-546