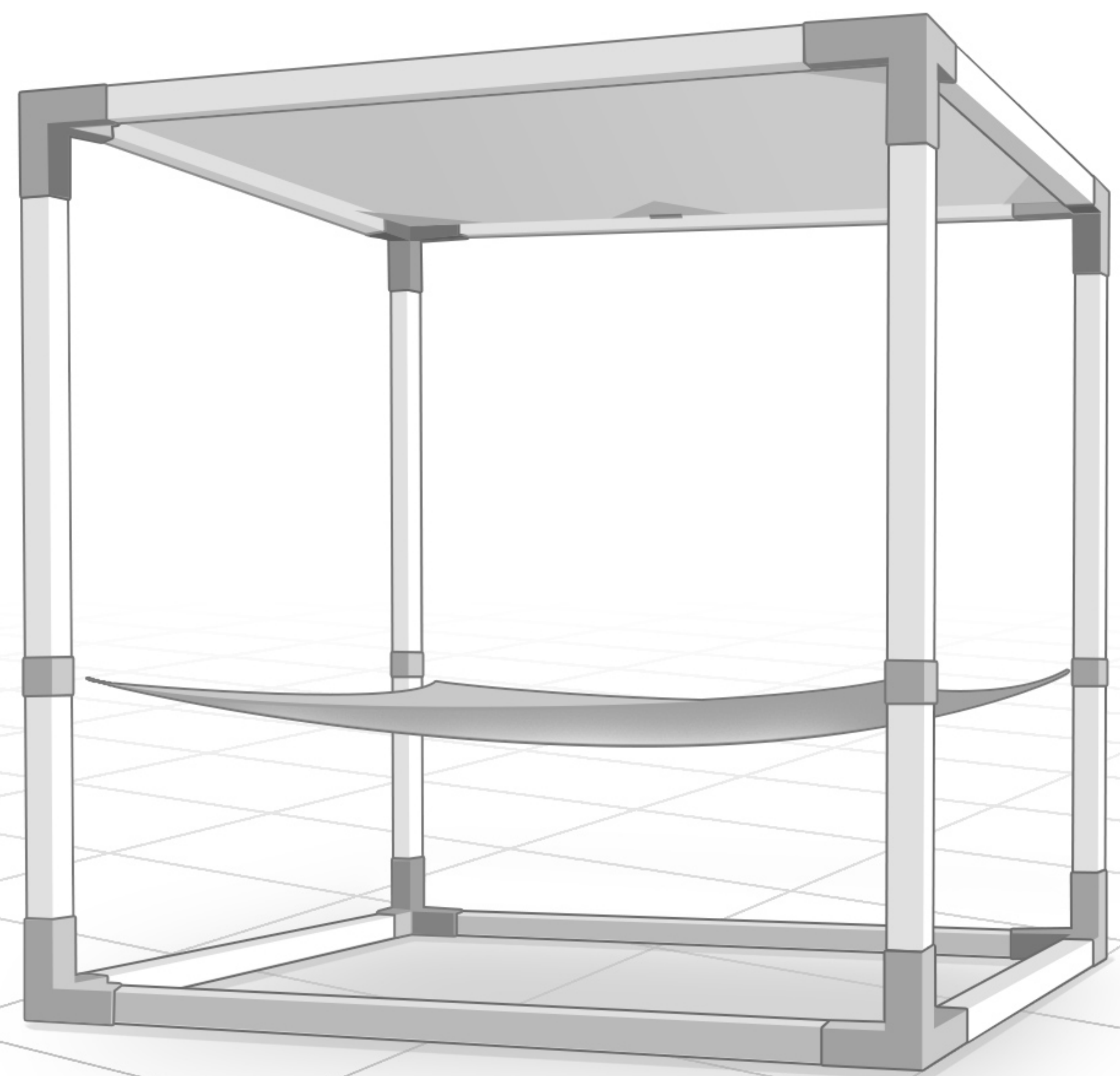


Approximate assembly



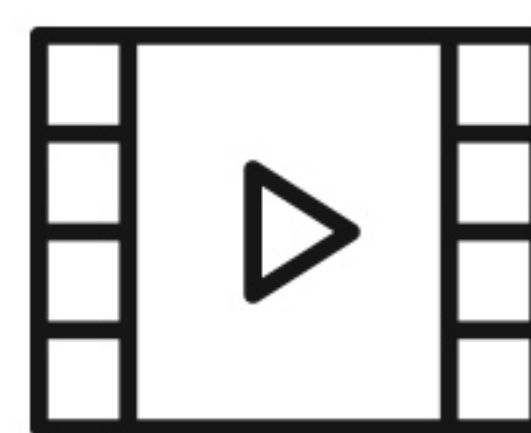
## PERGOLA

**45 MIN** approximate assembly



## HAMMOCK

**1 HOUR** approximate assembly



Use the QR code to watch  
the professional assembly



## IMPORTANT

- Important: Read all warnings and notes before beginning installation.
- Note: Post securing hardware is NOT included with the SOLO brackets. Please confirm with your local building permit office to determine the correct hardware in your area.
- Note: Customers agree to hold TOJA GRID INC and any authorized dealers free of any liability for improper installation, maintenance and repair of any TOJA GRID INC. products.
- Note: In the event of missing or broken parts, simply reach out to us at [info@tojagrid.com](mailto:info@tojagrid.com)
- Warning: Never leave your structure unattended before installing all necessary screws and securing it correctly to the ground.
- Warning: Follow instructions provided during installation.
- Warning: Avoid scratching parts to protect against rusting.
- Warning: Wear safety gloves and eyewear during installation.
- Warning: Only work with dry and straight wood.
- Warning: Avoid installation in the rain, or high wind conditions

---

### LIMITED WARRANTY:

Toja Grid Inc. warrants products to be free from defects in material or manufacturing. Toja Grid Inc. products are further warranted for adequacy of design when used in accordance with design limits and when properly specified, installed and maintained. This warranty does not apply to uses not in compliance with specific applications and installations, or to or modified products, or to deterioration due to environmental conditions.

Due to the particular characteristics of potential impact events, the specific design and location of the structure, the building materials used, the quality of construction, and the condition of the soils involved, damage may nonetheless result to a structure and its contents even if the loads resulting from the impact event do not exceed Toja Grid specifications and Toja Grid connectors are properly installed in accordance with applicable building codes.

All warranty obligations of Toja Grid Inc. shall be limited to two (2) years against manufacturing defects, at the discretion of Toja Grid Inc., to repair or replacement of the defective part. These remedies shall constitute Toja Grid Inc.'s sole obligation and sole remedy of purchaser under this warranty. In no event will Toja Grid Inc. be responsible for incidental, consequential, or special loss or damage, however caused.

### DISCLAIMER:

Shades and hammocks should be removed during storms/high wind conditions (exceeding 50km/hr).

For installation into deck please ensure wood is adequately tied back to the main structure, with a minimum depth of 4" and a minimum width of 6" under each post & use four 1/4" diameter 2" long lag screws at the base of each of the four posts.

For installation into concrete foundation please ensure the concrete is uncracked with a minimum weight of 120 kg (approximately 0.05m<sup>3</sup>) & use four 1/4" diameter concrete screws with a minimum embedment of 2" into sound concrete.

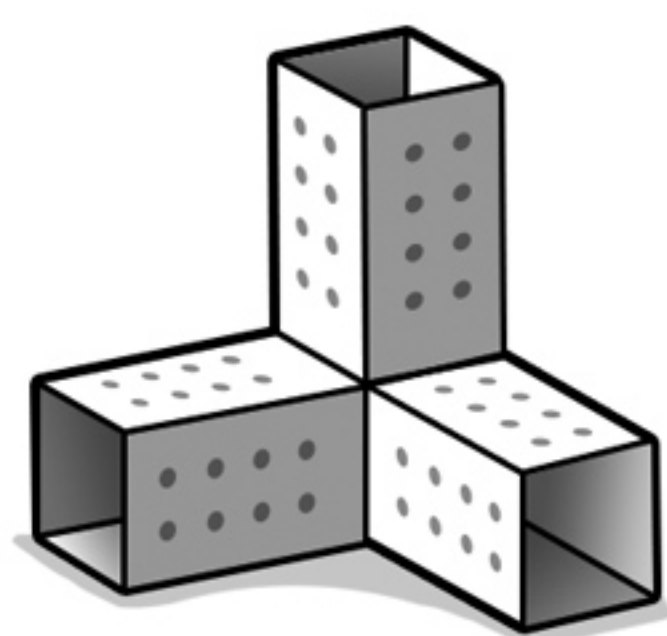
For installation into grass and/or soil, four 4"x 4" fence post spikes should be used in place of the provided 'Grid solo' base plates. Follow manufacturer guidelines for use and installation of fence post spikes.

**STEP 1**

**LAYOUT MATERIALS**

TOJA GRID products components

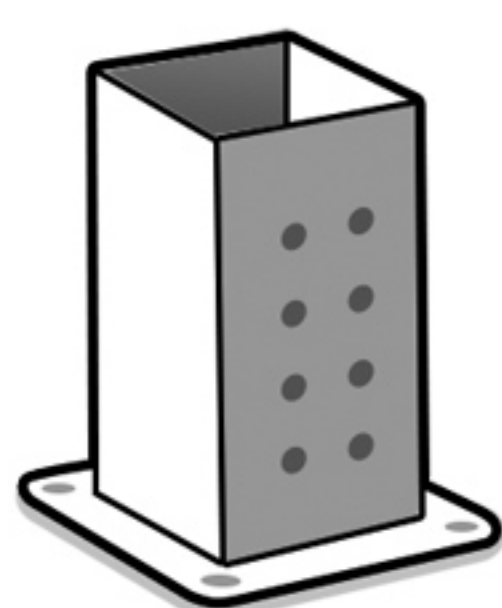
▼ **PERGOLA COMPONENTS**



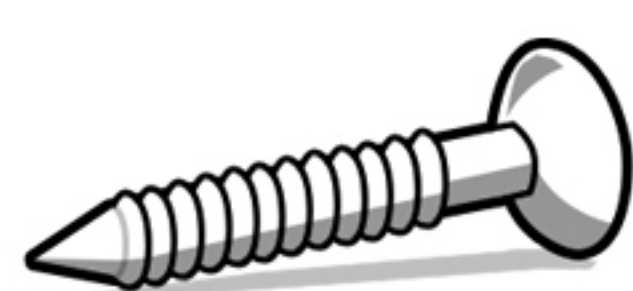
Grid trio



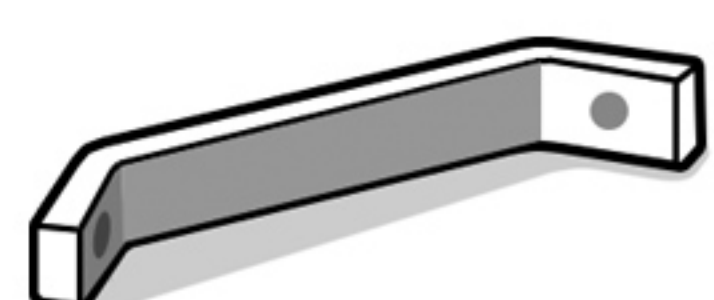
Side bracket



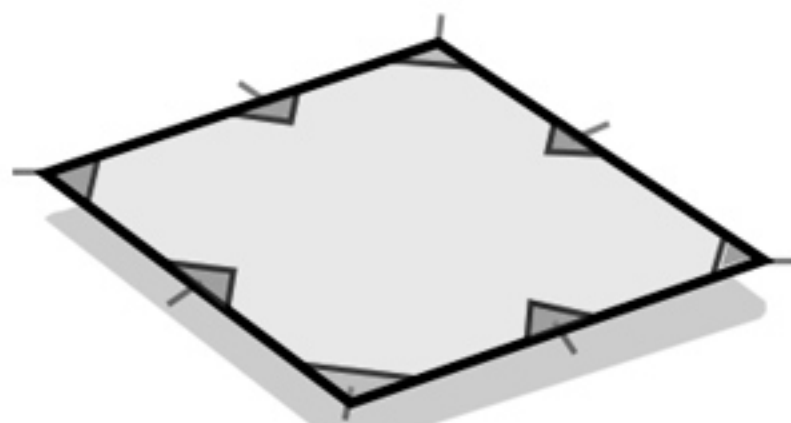
Grid solo



Screws

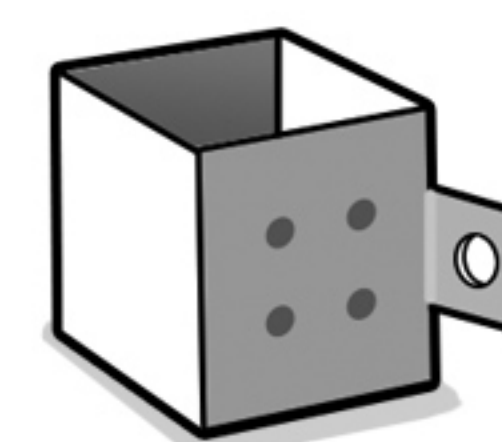


Corner bracket

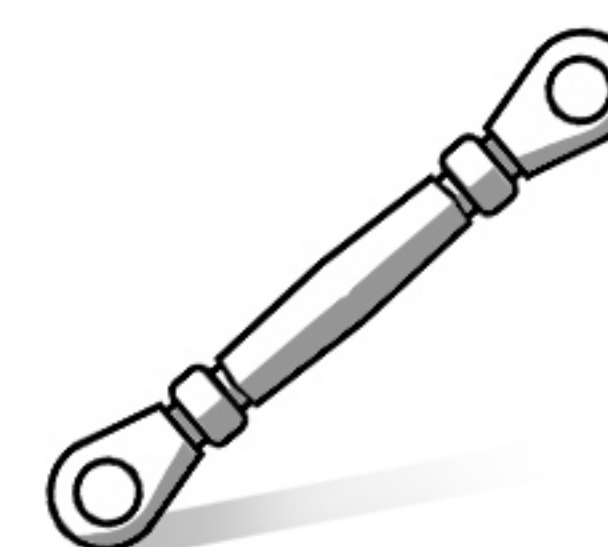


Grid shade sail

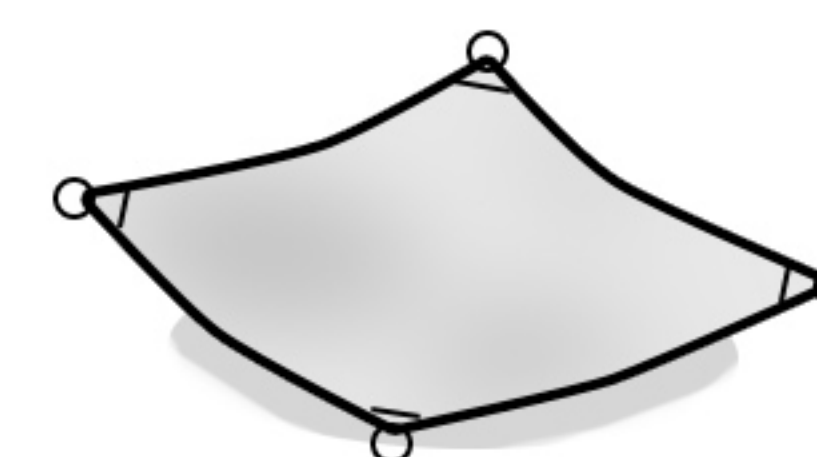
▼ **HAMMOCK COMPONENTS**



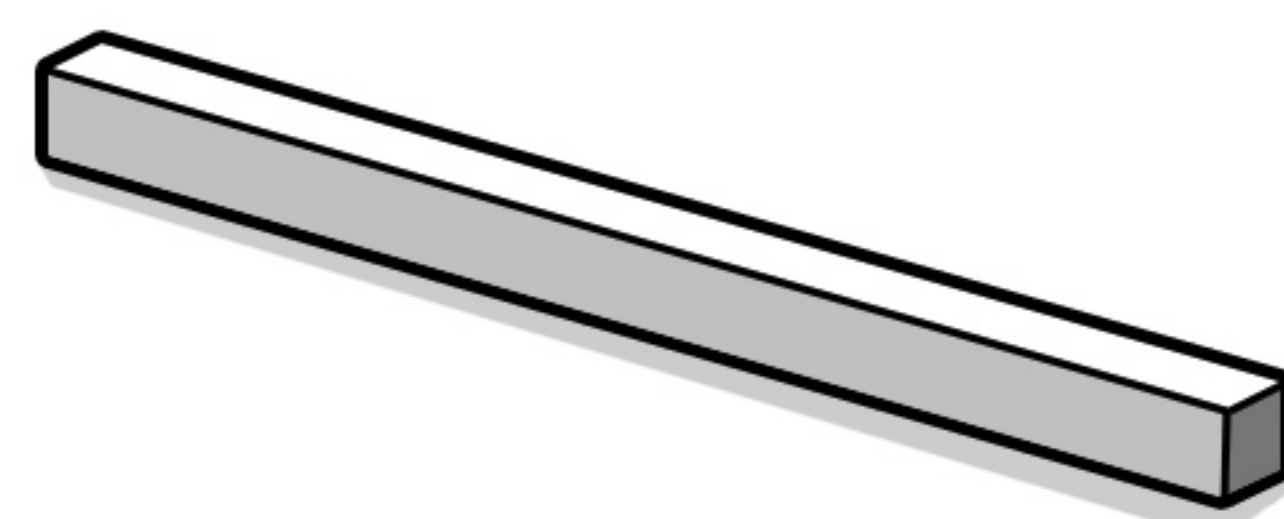
Grid hangers



Turnbuckles

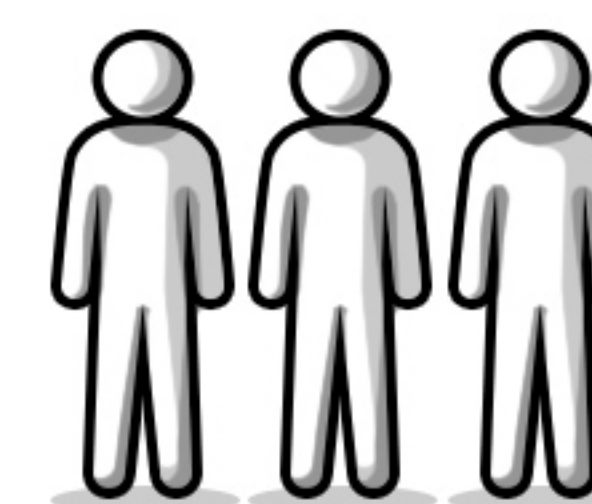


Hammock



**SOLD SEPARATELY**

Use dry straight wood



3 people required for assembly

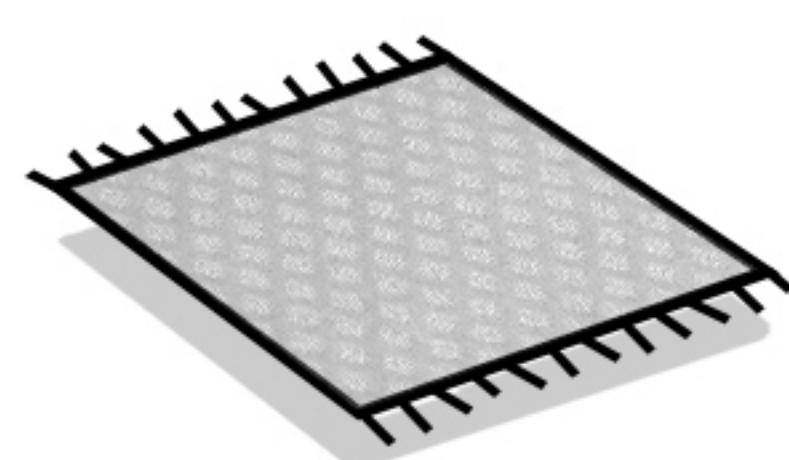
**NICE TO HAVE**



Stepladder



Screwdriver



Ground protection



Tape measure

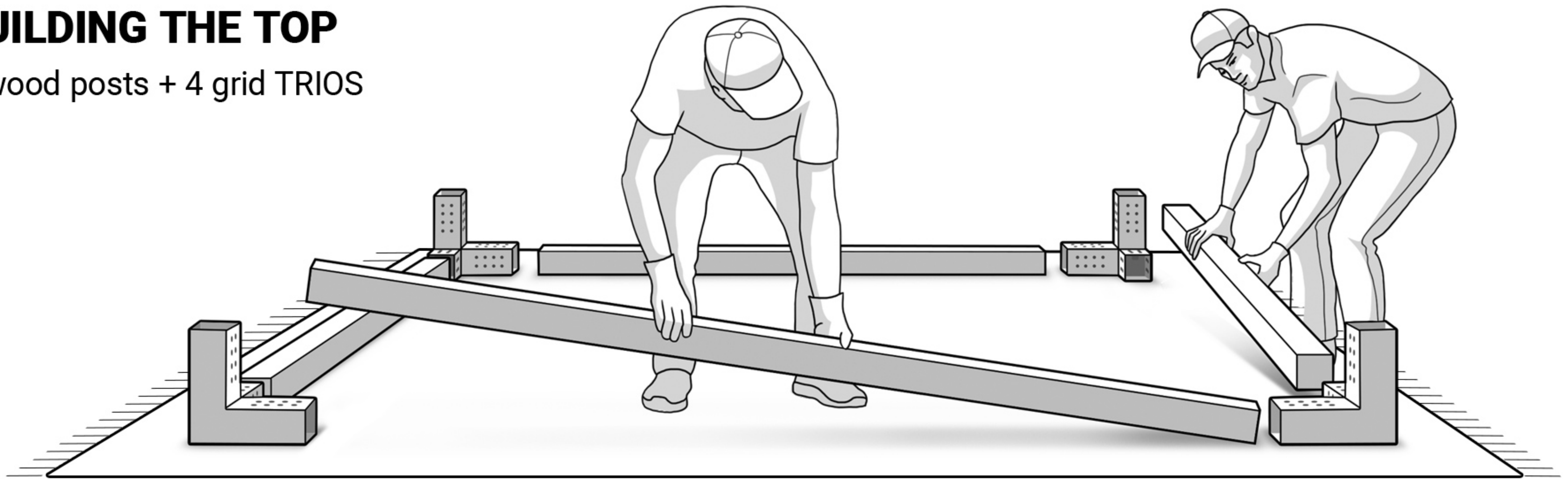


Level

### STEP 2.1

### BUILDING THE TOP

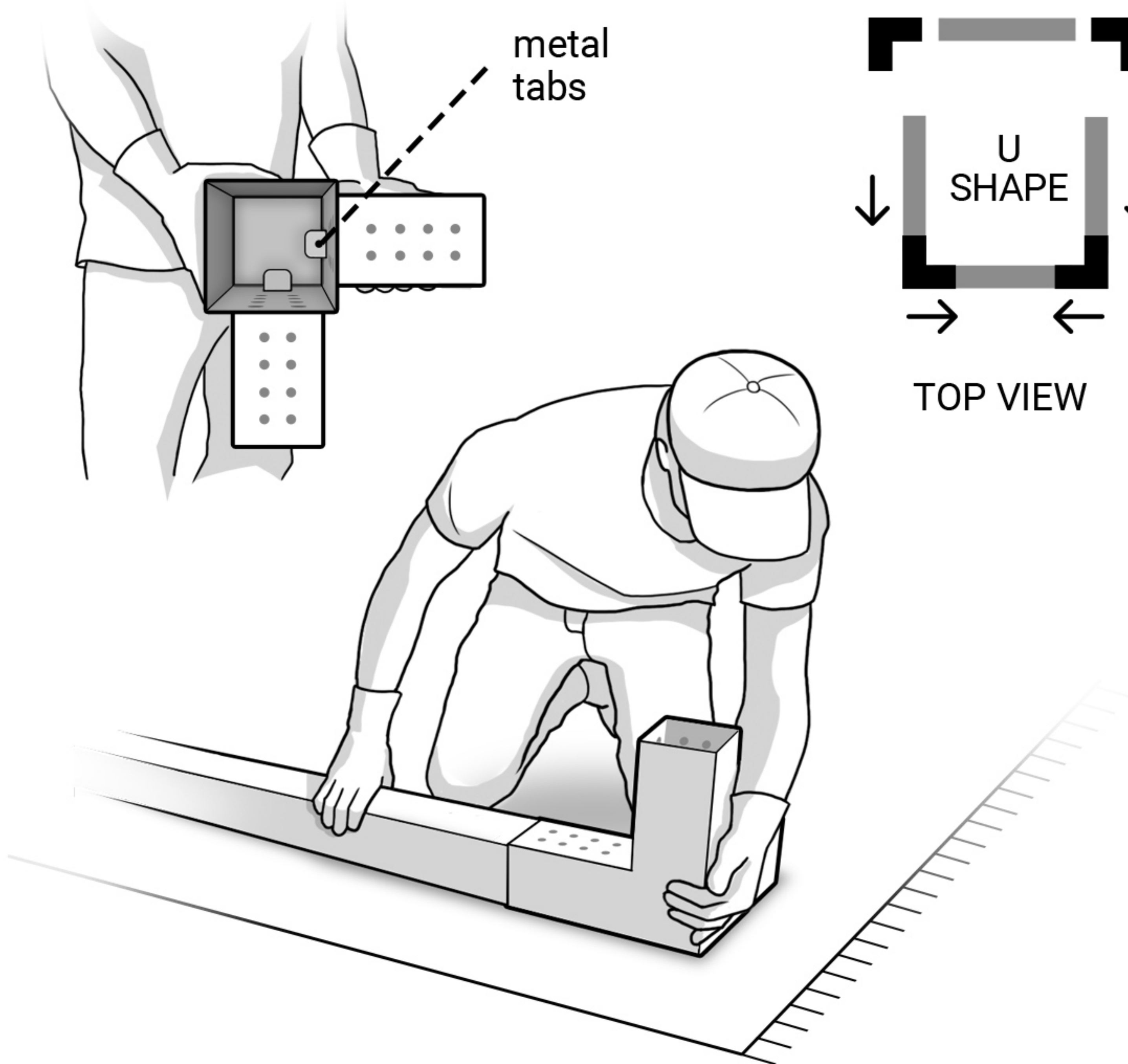
4 wood posts + 4 grid TRIOS



### STEP 2.2

### BUILDING THE TOP

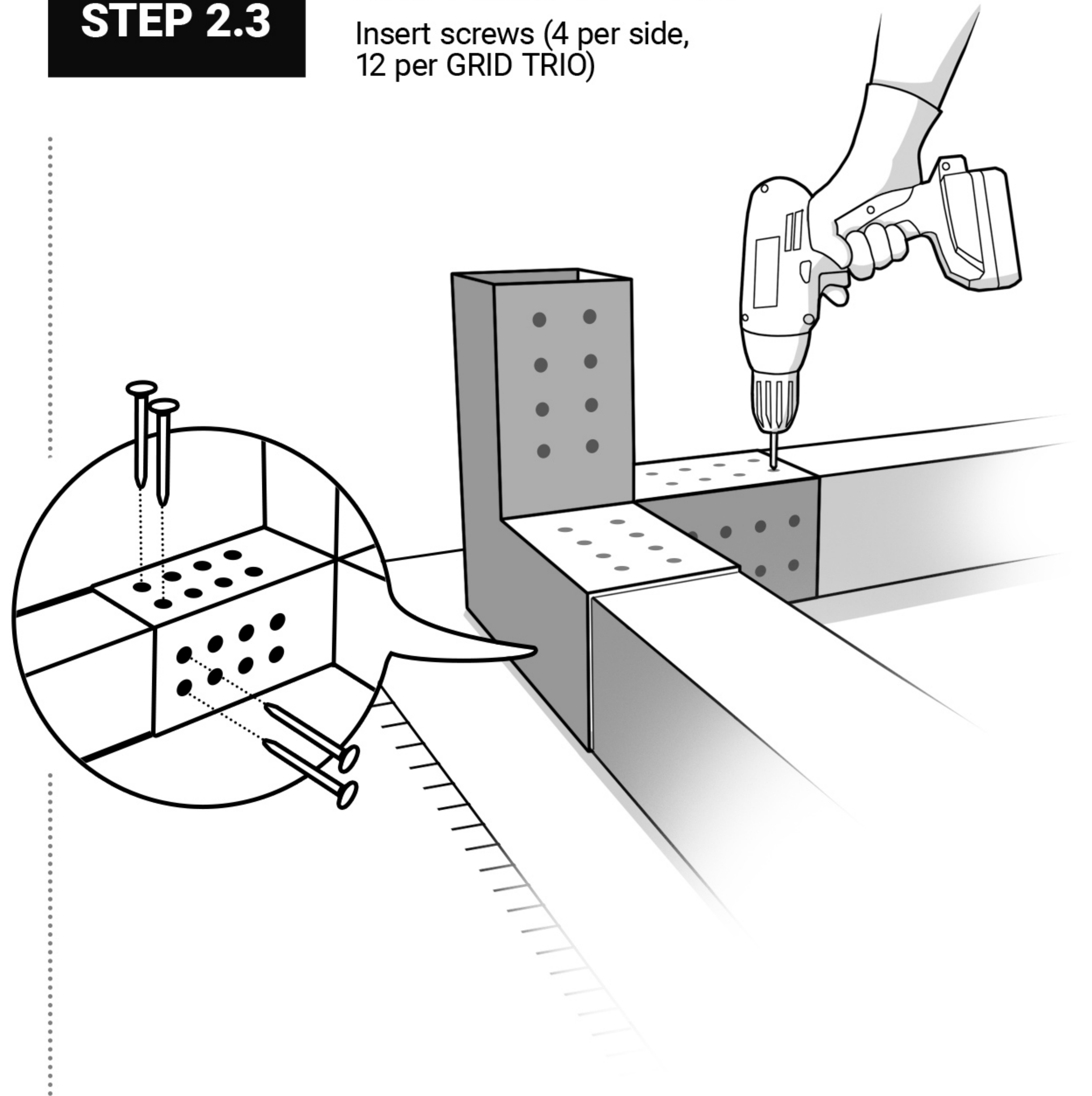
Wood should rest against metal tabs



### STEP 2.3

### BUILDING THE TOP

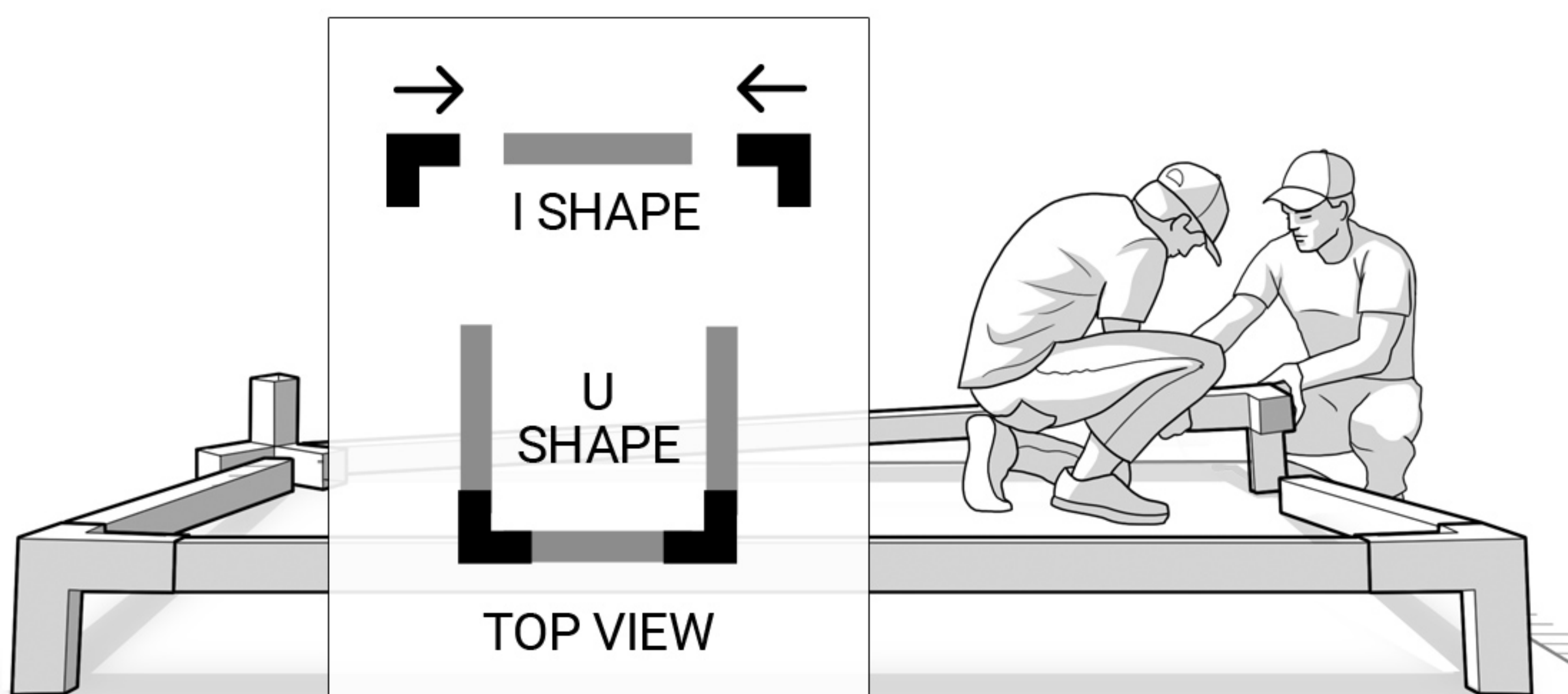
Insert screws (4 per side, 12 per GRID TRIO)



### STEP 2.4

### BUILDING THE TOP

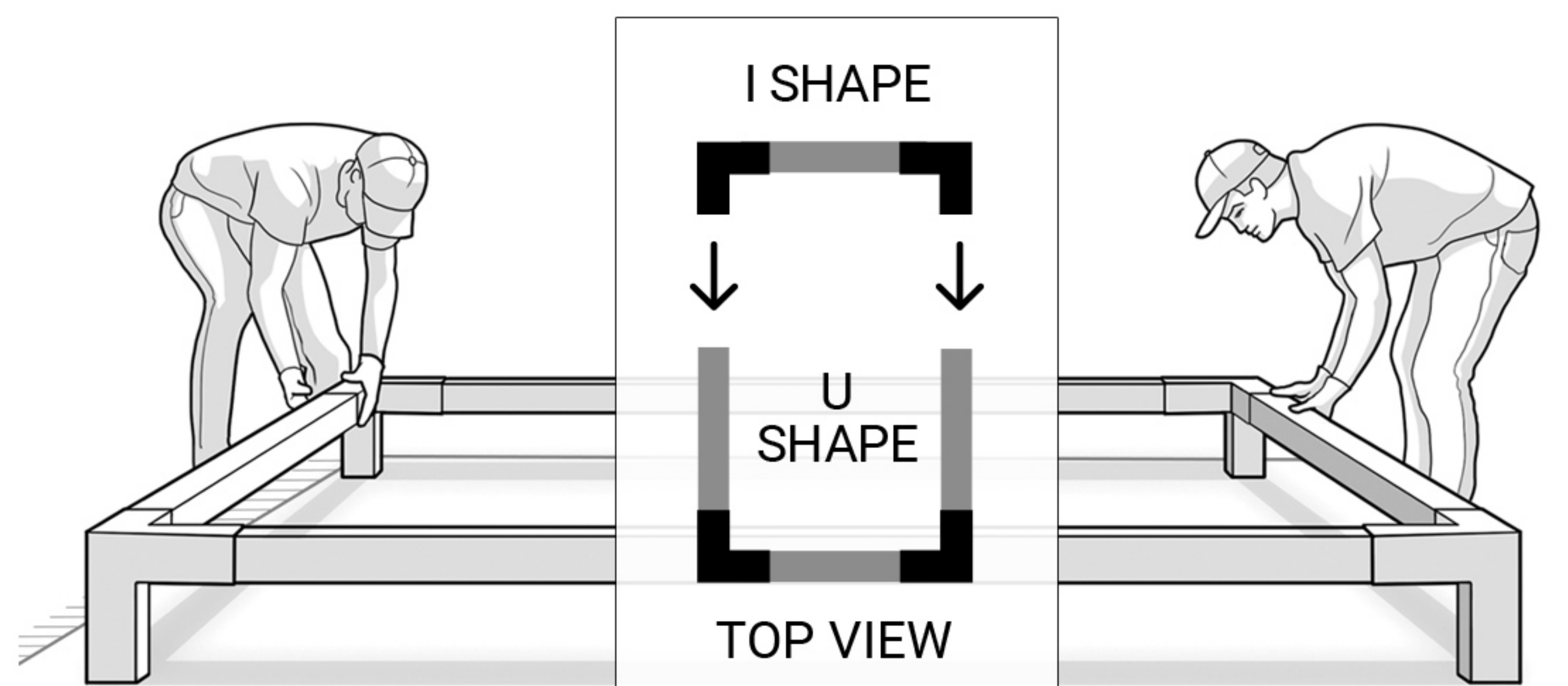
Slide 1 wood post into remaining GRID TRIOS making an I shape



### STEP 2.5

### BUILDING THE TOP

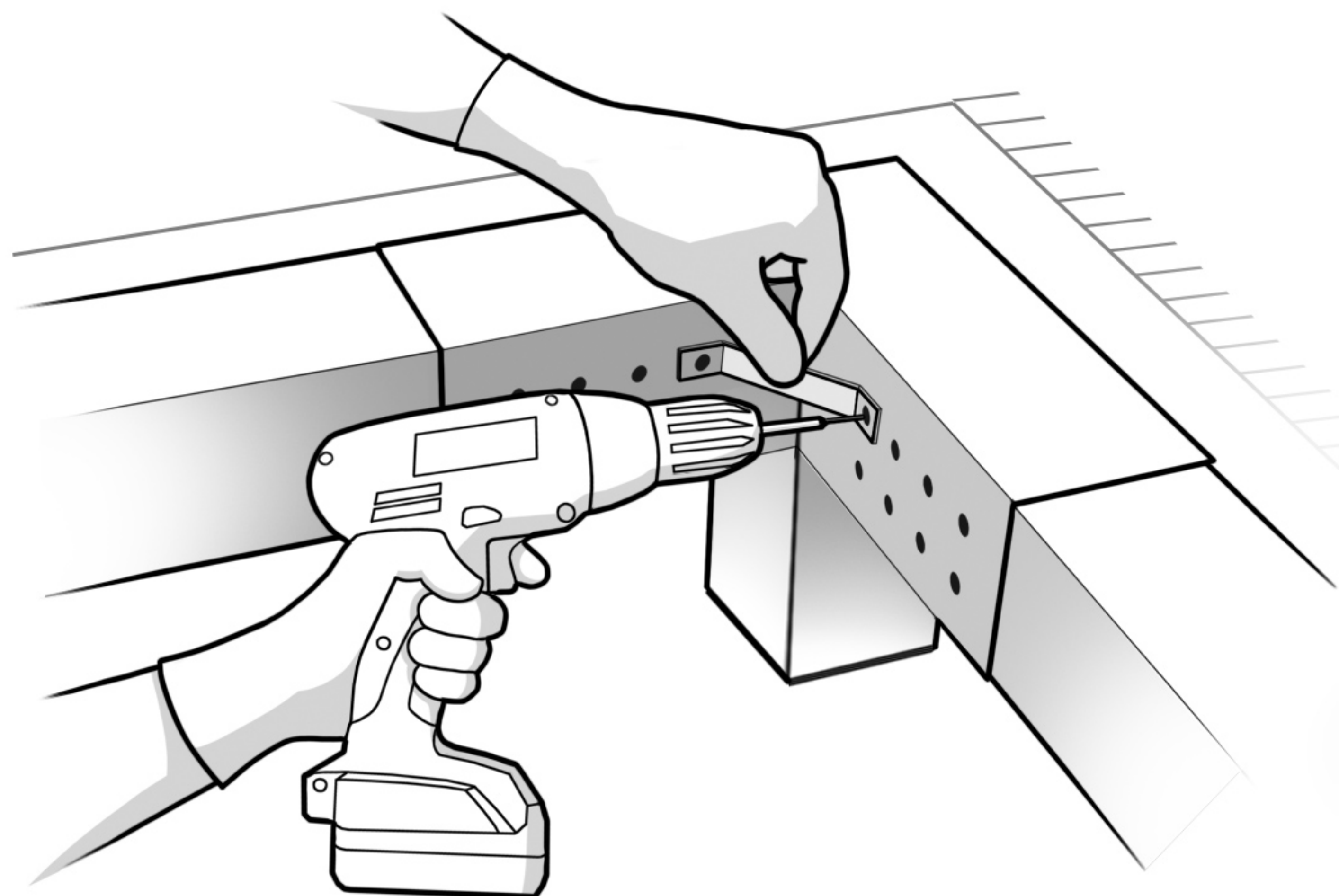
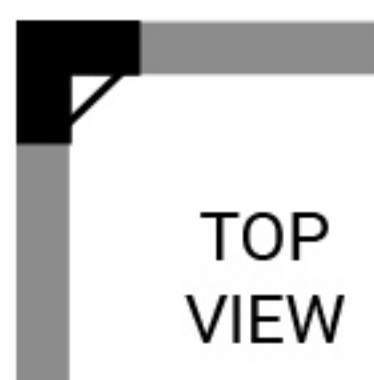
Slide I shape to U shape and secure



### STEP 3.1

## BUILDING THE TOP

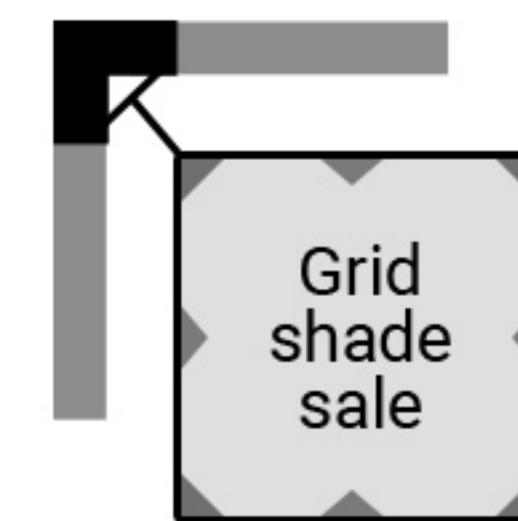
Attach all corner brackets



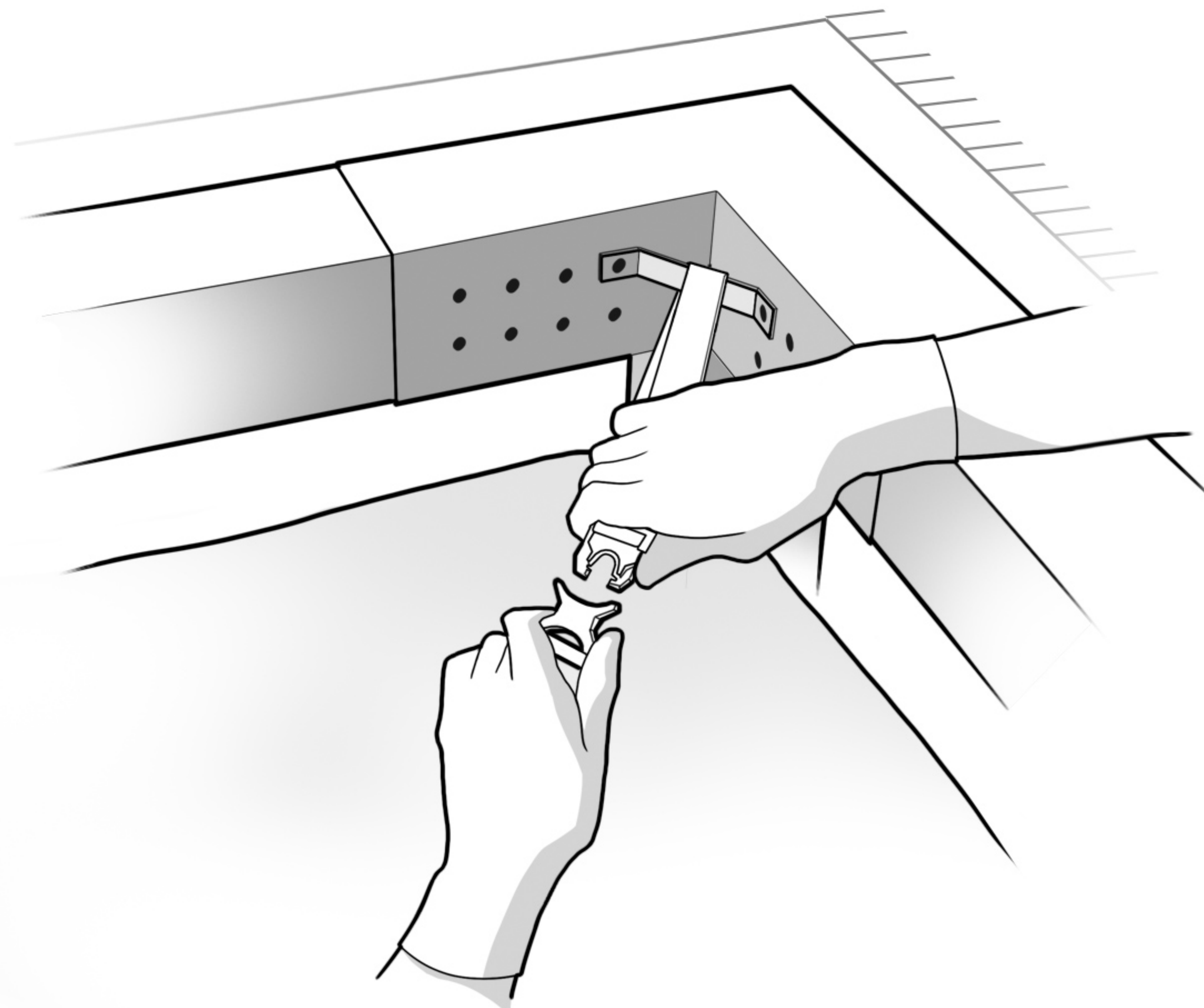
### STEP 3.2

## ATTACHING TOP SHADE

Attach buckles to corner brackets and pull tight



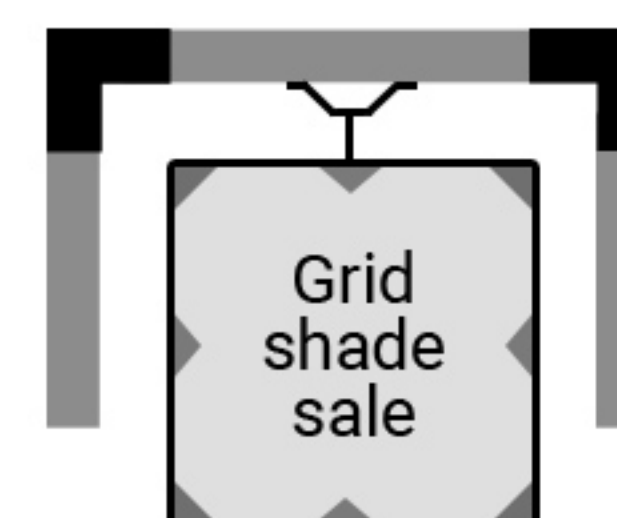
TOP VIEW



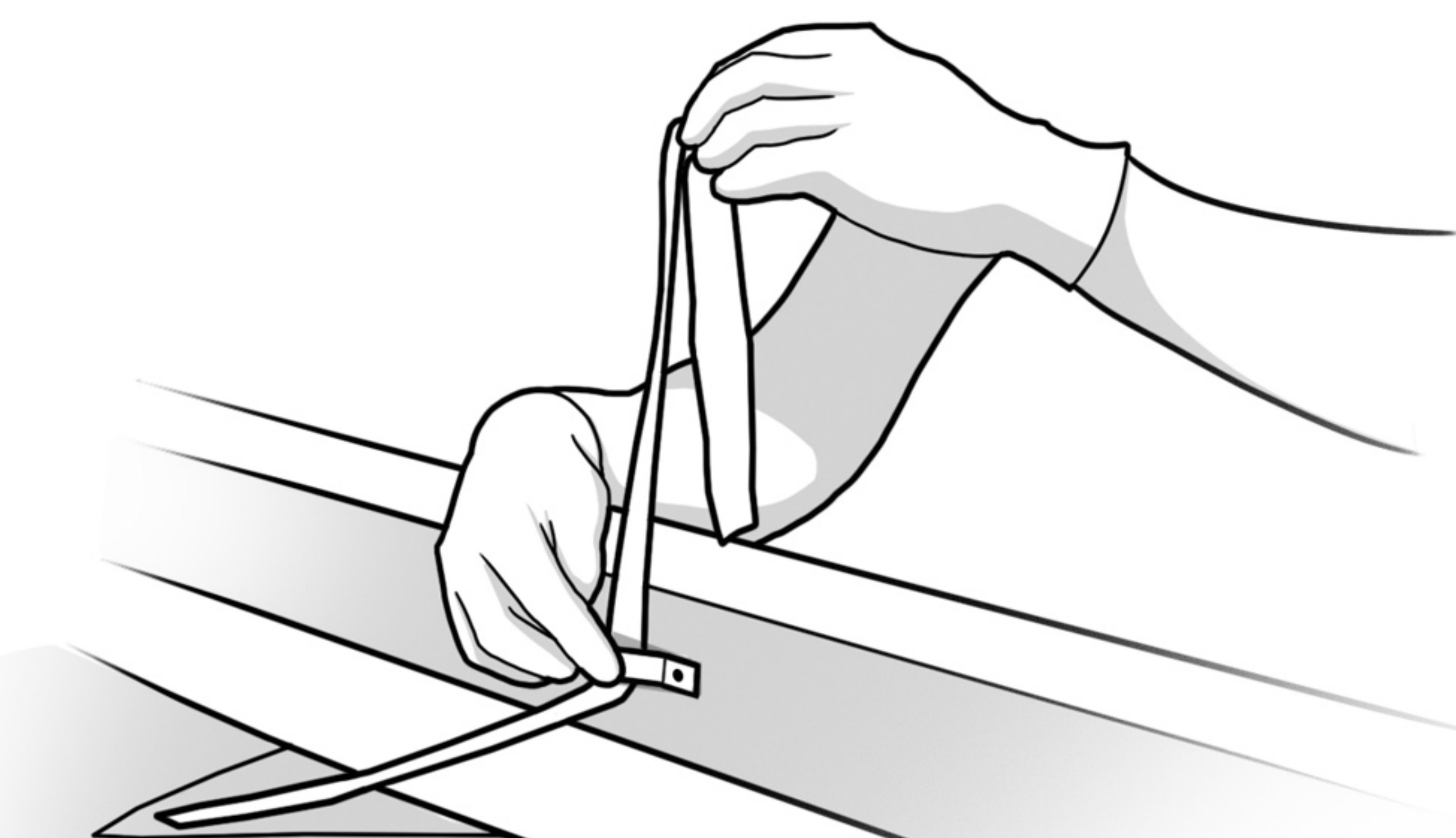
### STEP 3.3

## ATTACHING TOP SHADE

Attach all side brackets

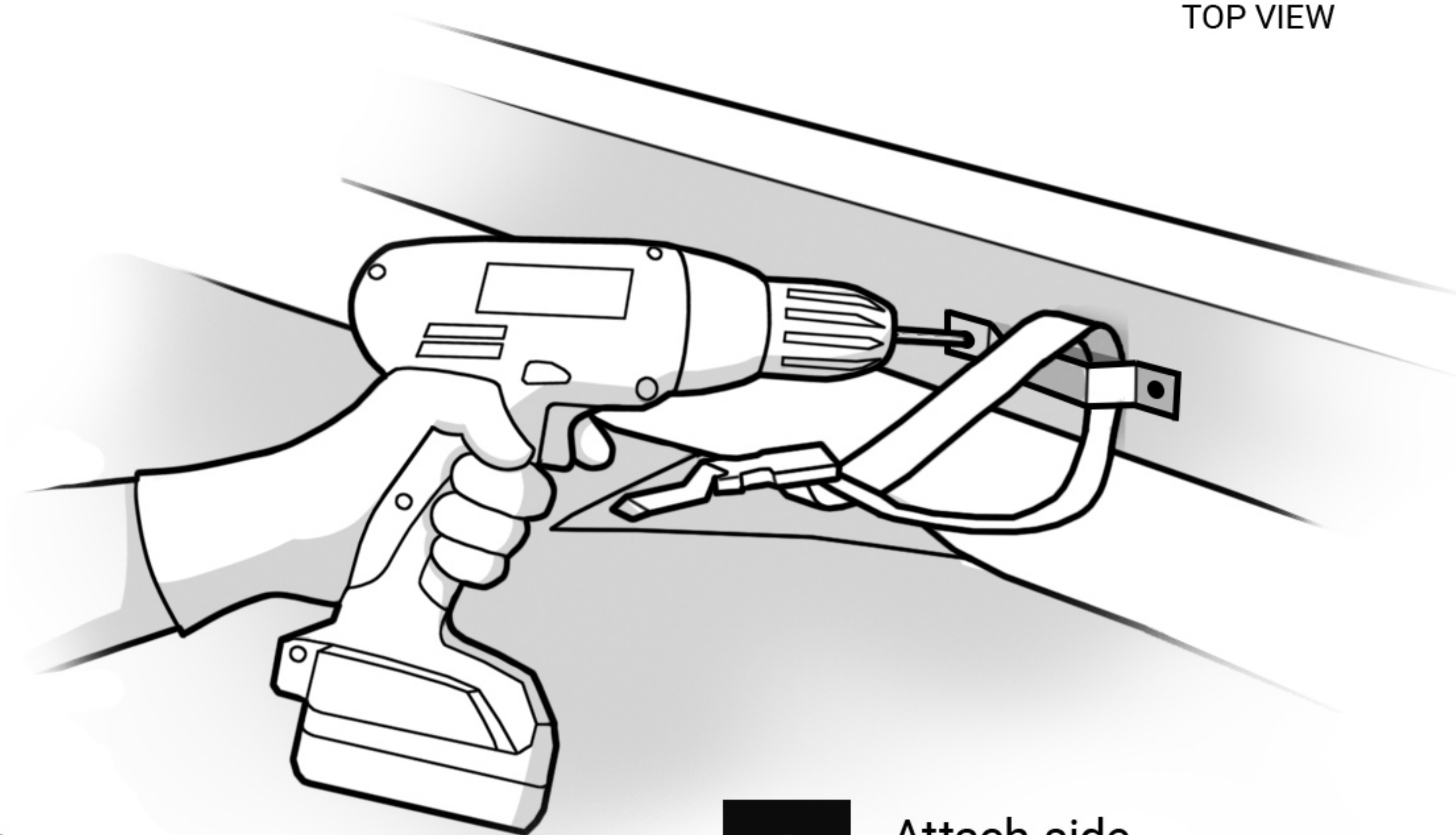


TOP VIEW



Line up side brackets with the shades side buckles

**1**

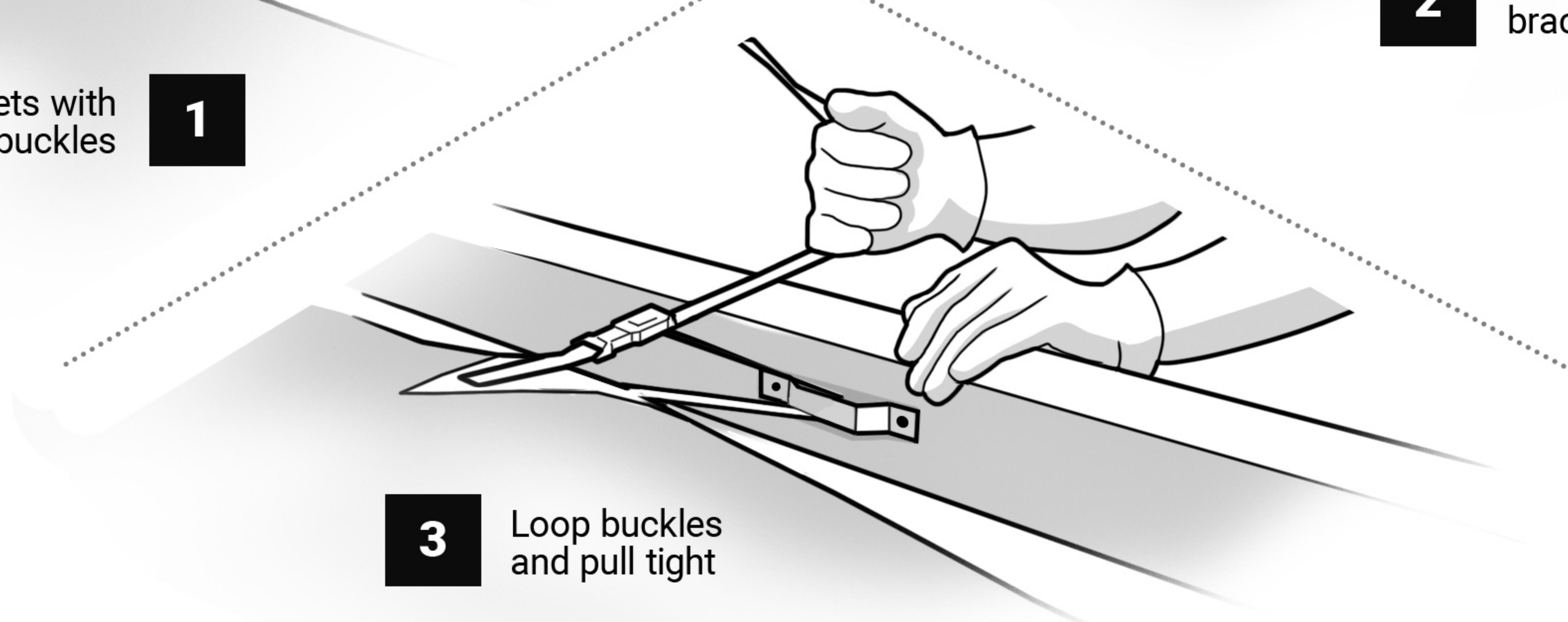


**2**

Attach side brackets

**3**

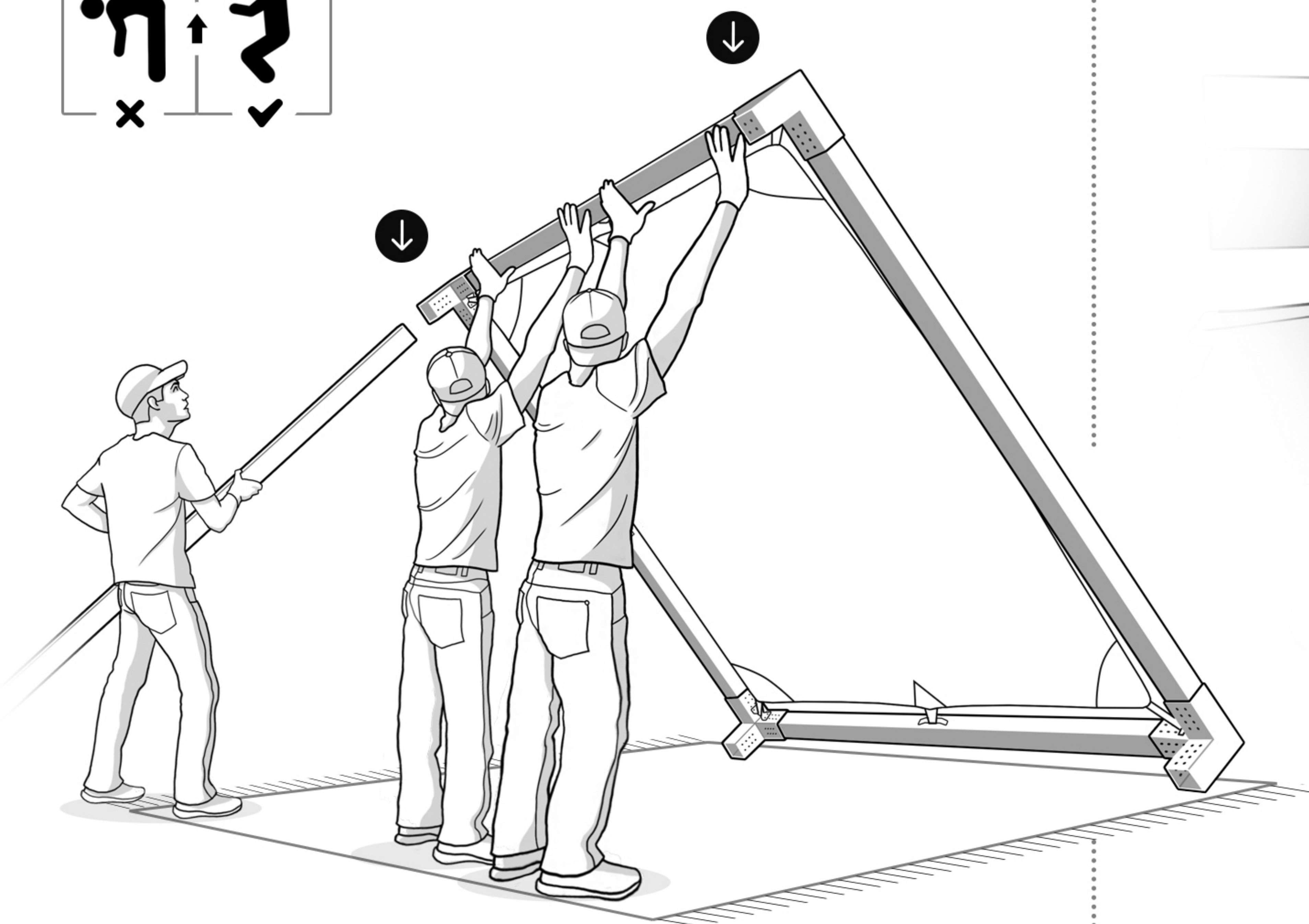
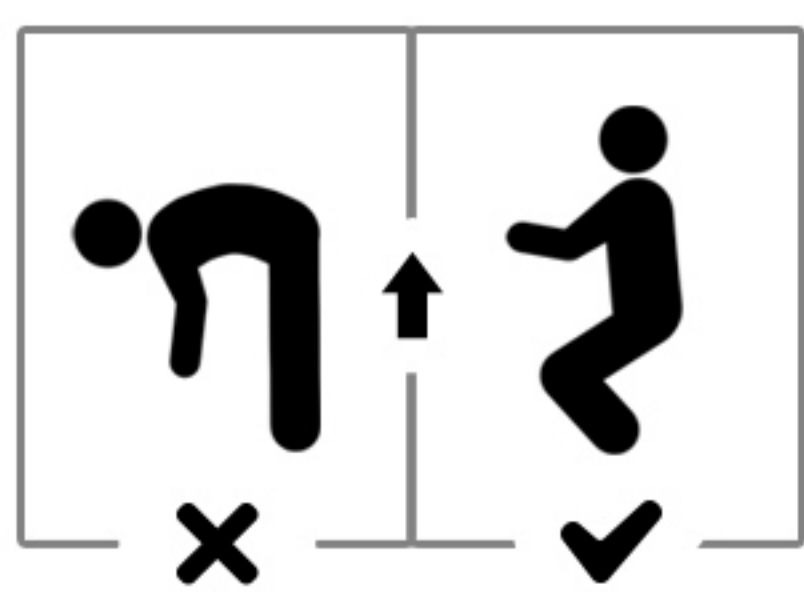
Loop buckles and pull tight



**STEP 4.1**

**LIFT FIRST SIDE**

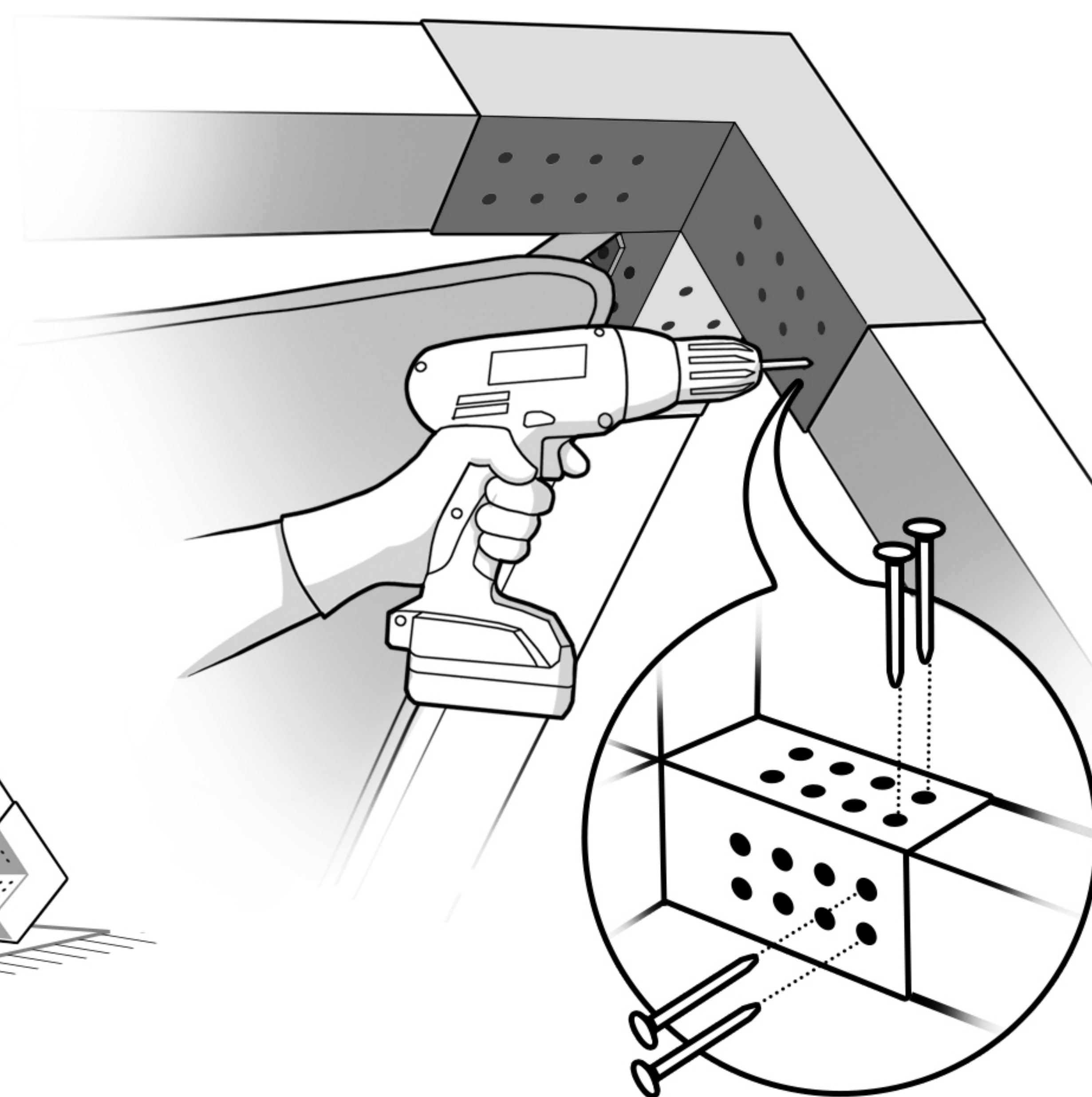
Insert 2 wood post



**STEP 4.2**

**LIFT FIRST SIDE**

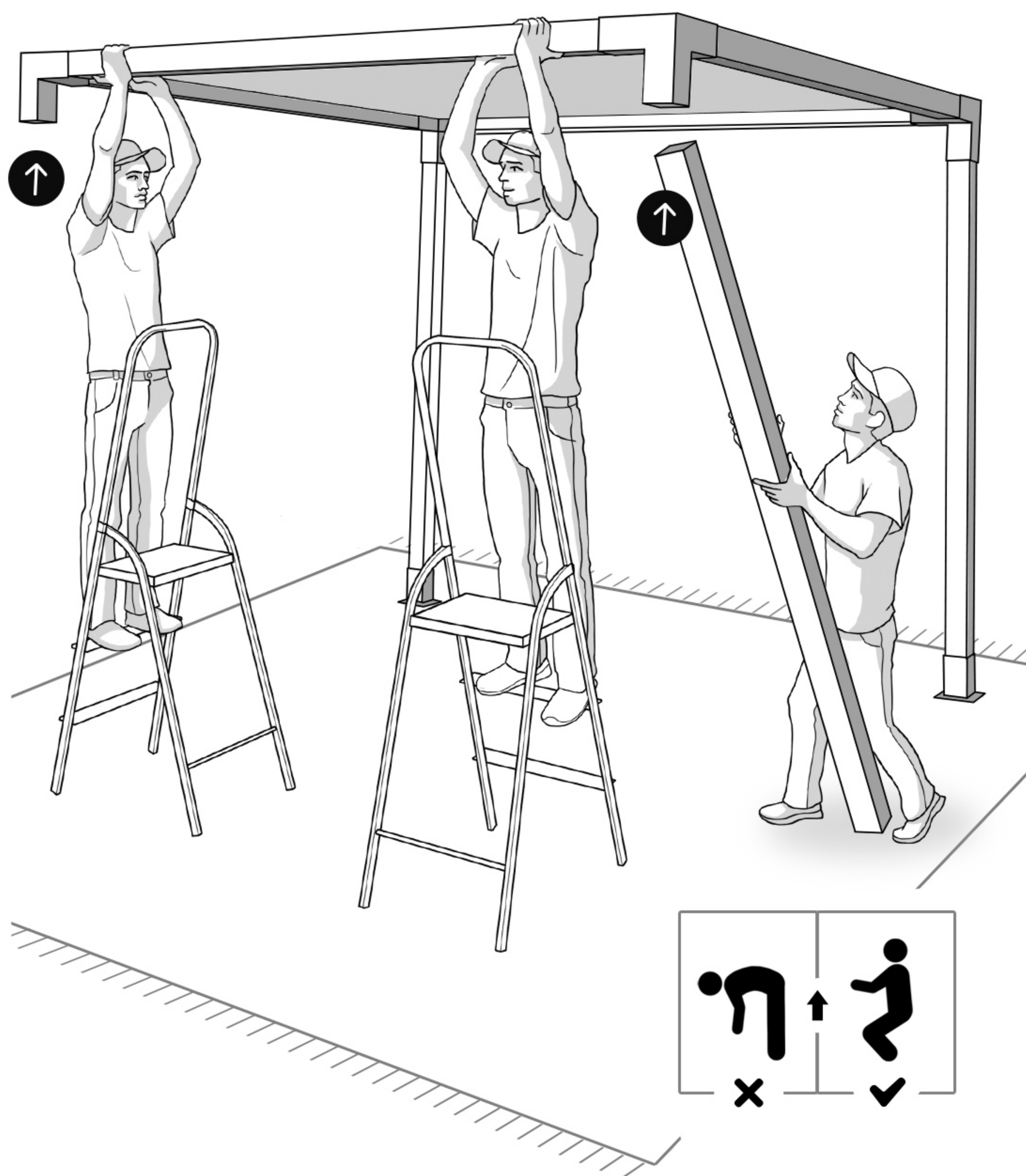
Secure (4 screws for each wood post)



**STEP 5.1**

**LIFT SECOND SIDE**

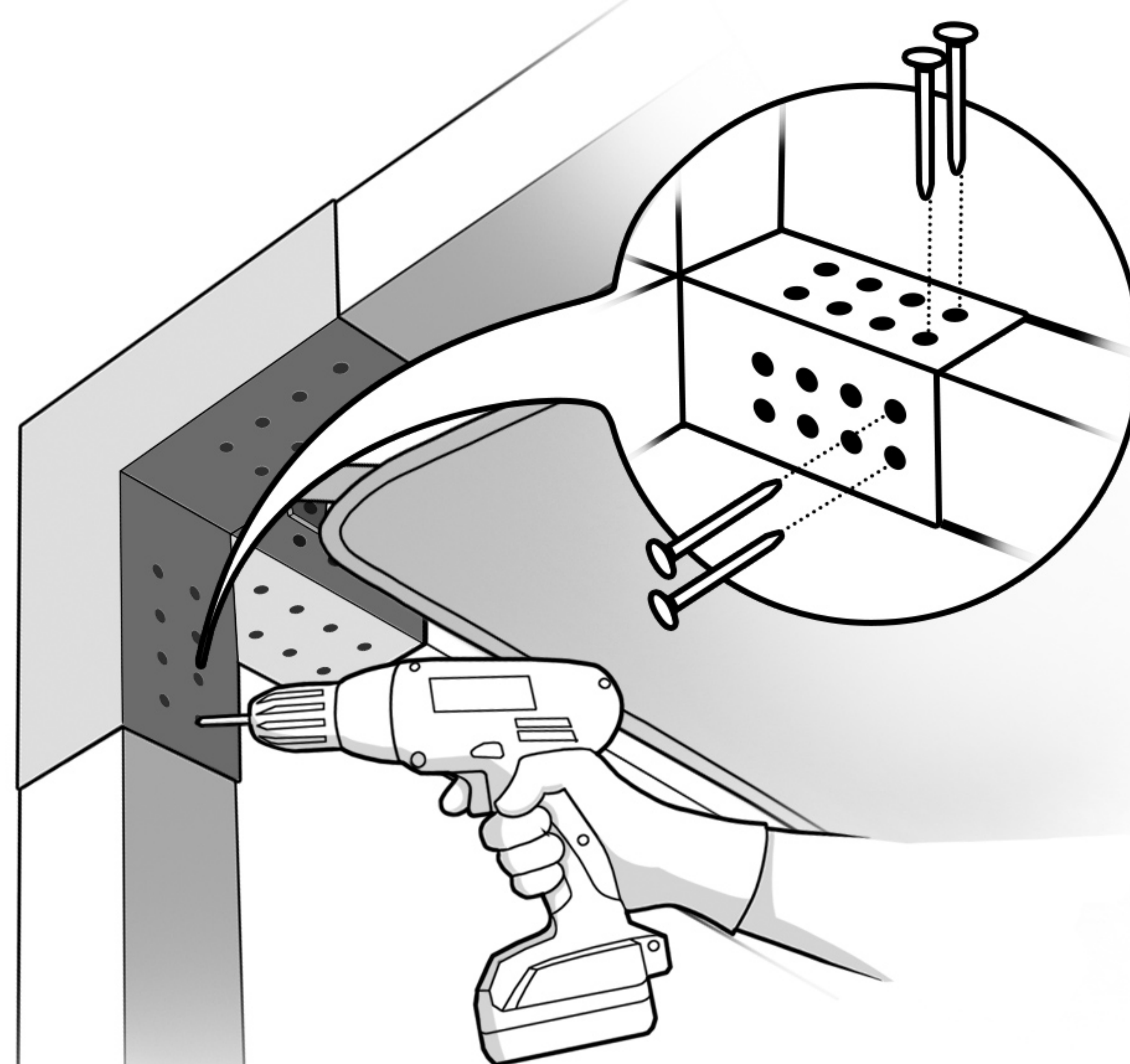
Insert 2 wood post



**STEP 5.2**

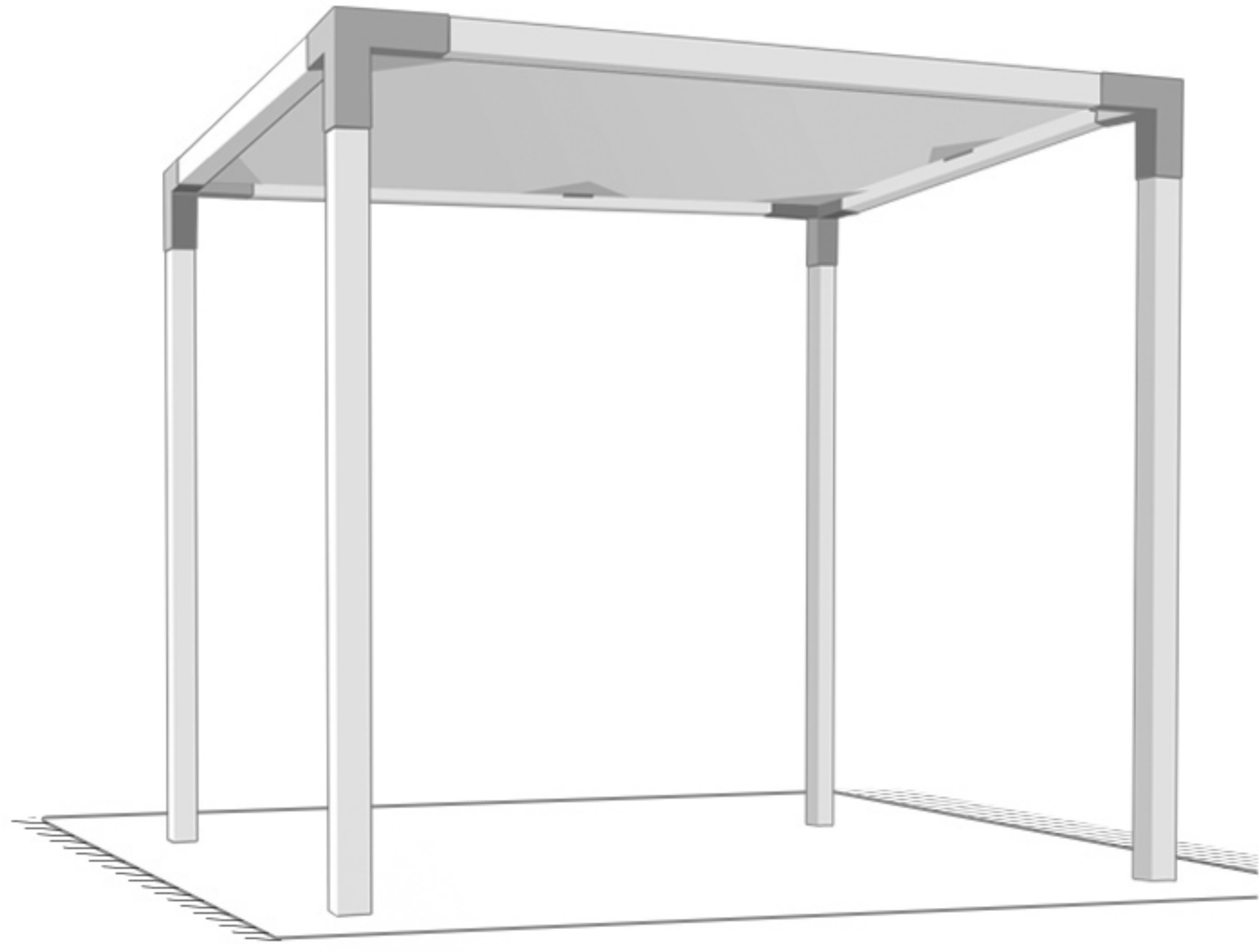
**LIFT SECOND SIDE**

Secure (4 screws for each wood post)



**STEP 5.3**

**FINISHED  
TOP PART**

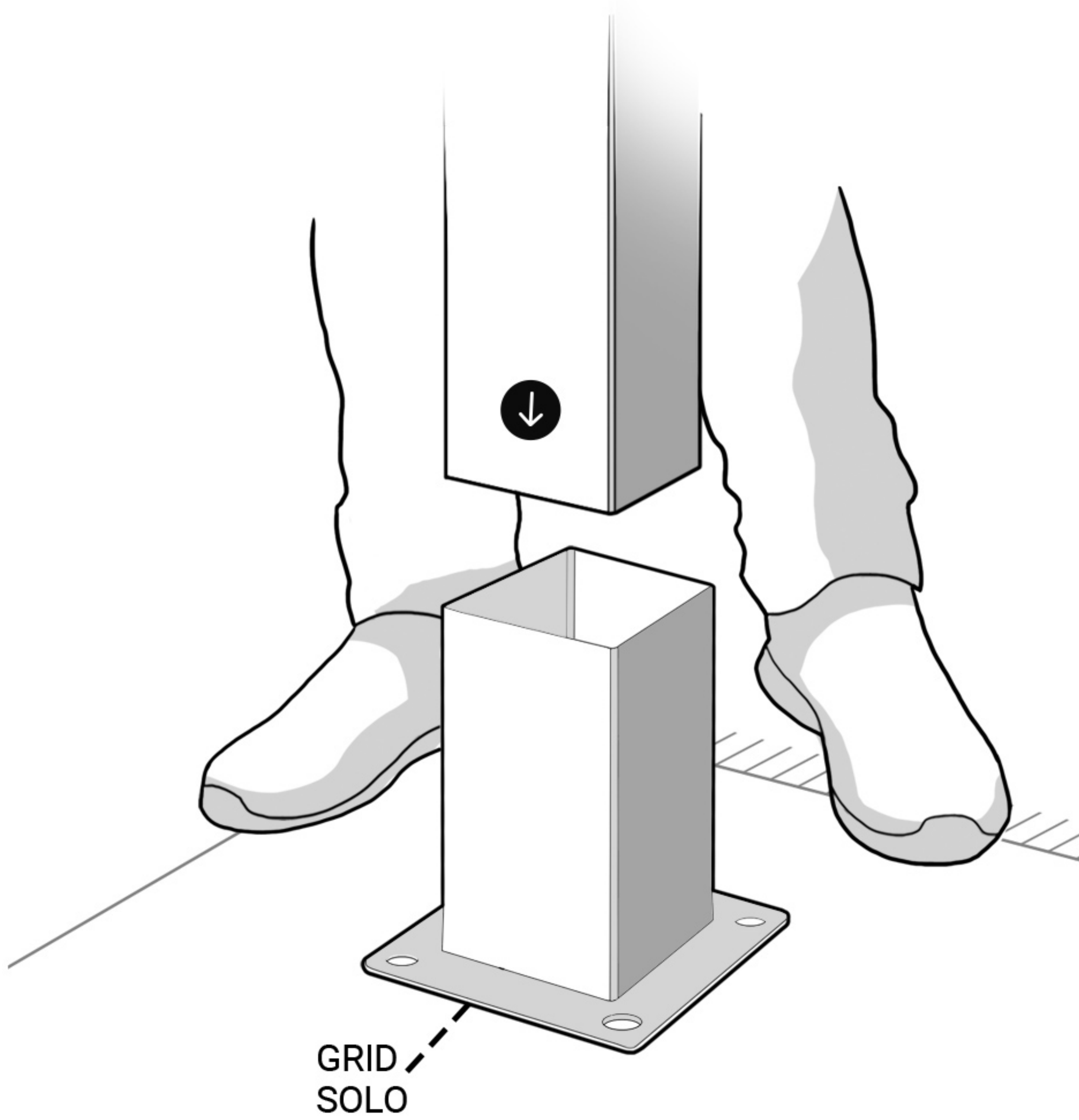


**FOR HAMMOCK  
SKIP TO STEP 8**

**STEP 6.1**

**BUILDING THE BASE**

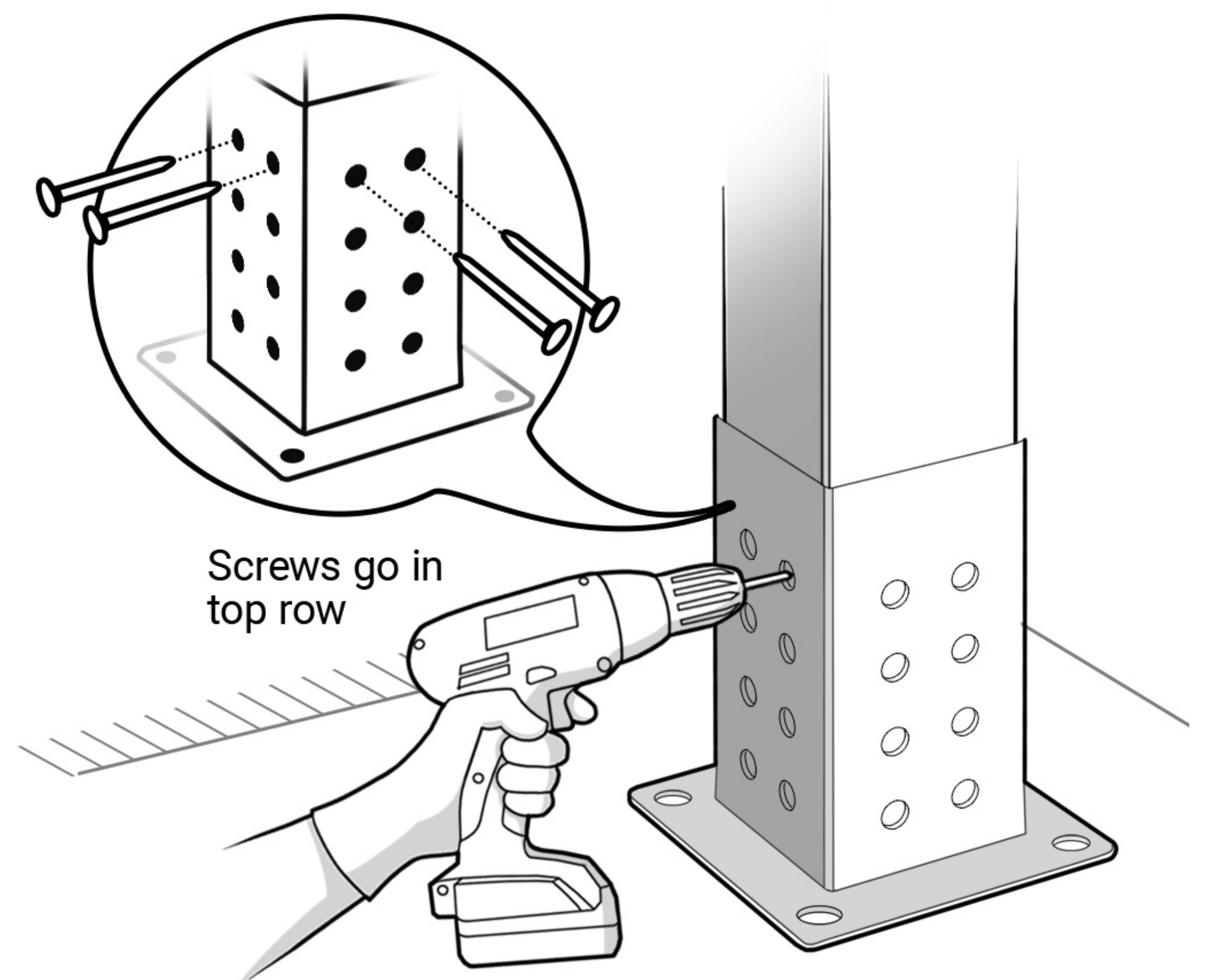
Slide each post into GRID SOLOS one at a time



**STEP 6.2**

**BUILDING THE BASE**

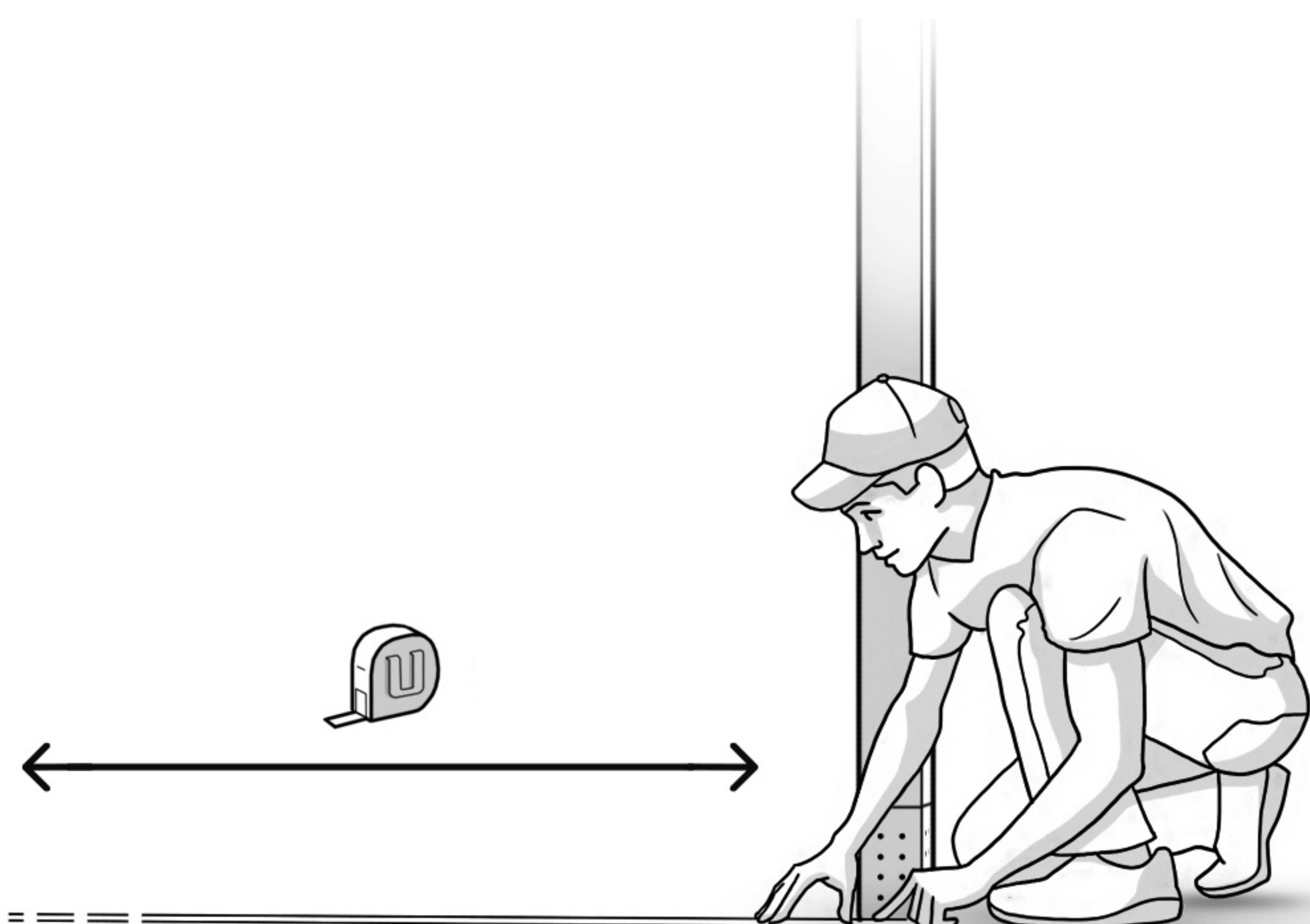
Secure (4 screws for each wood post)



**STEP 6.3**

**BUILDING THE BASE**

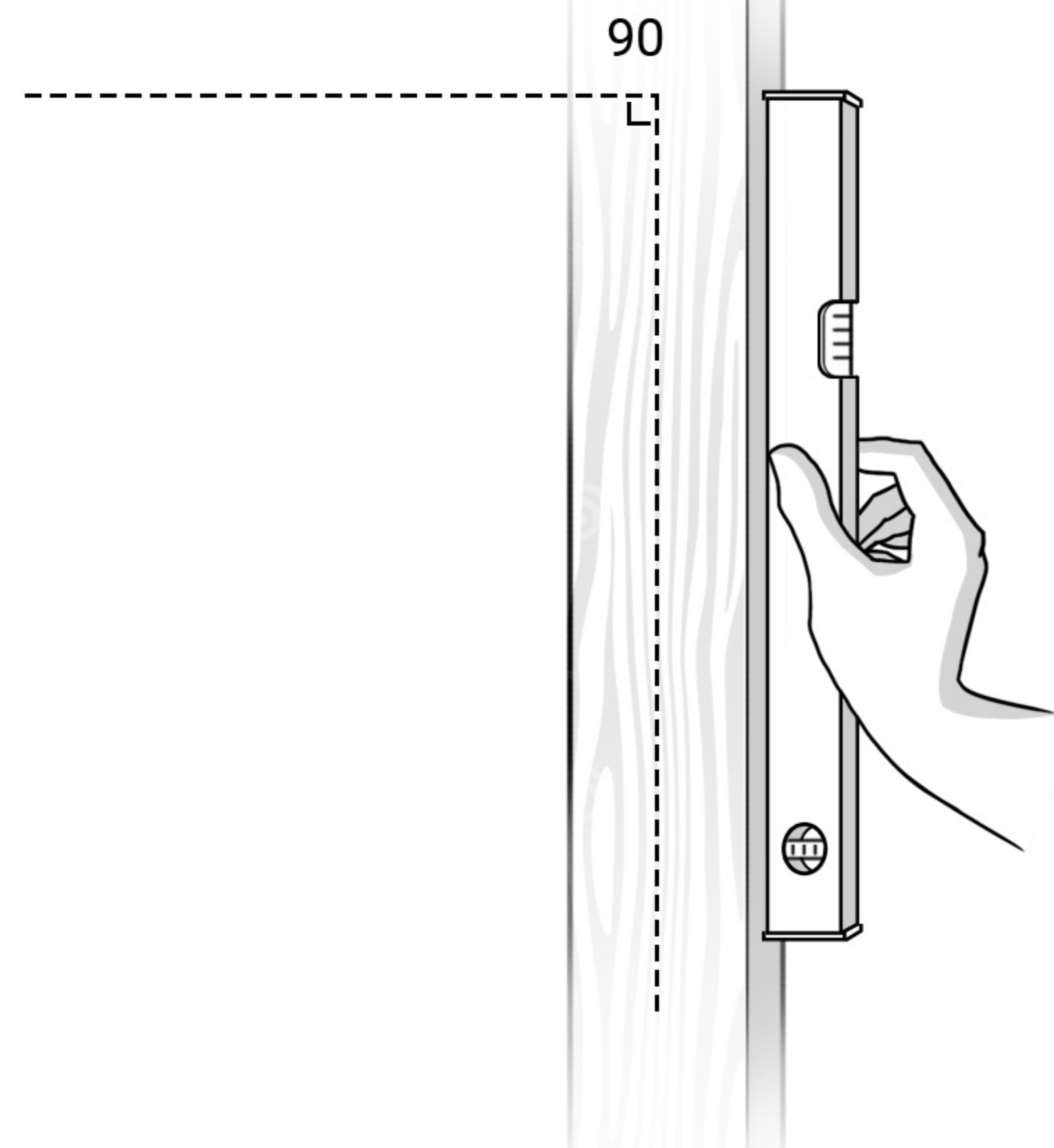
Align the posts



**STEP 6.4**

**BUILDING THE BASE**

Level all posts



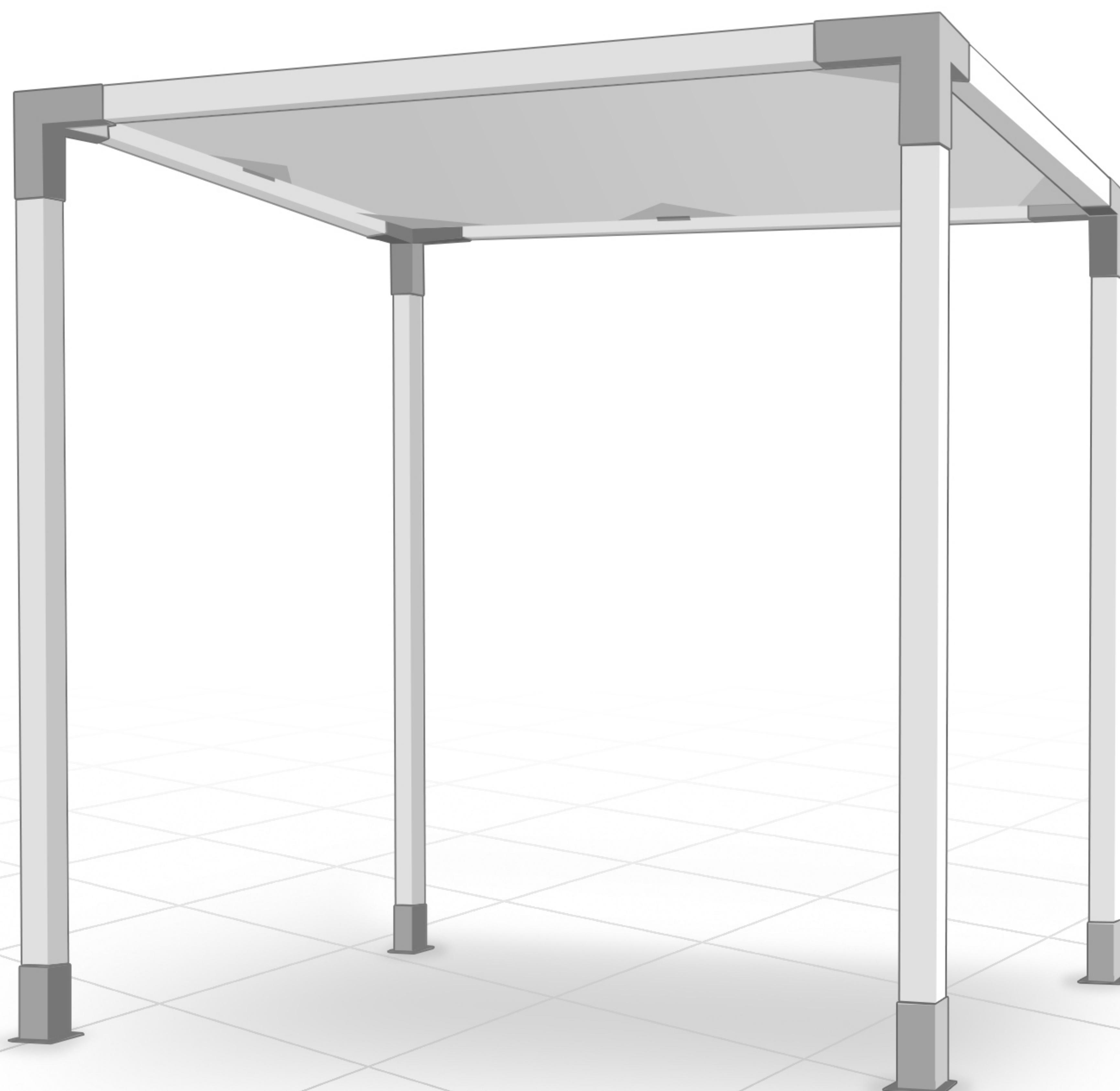
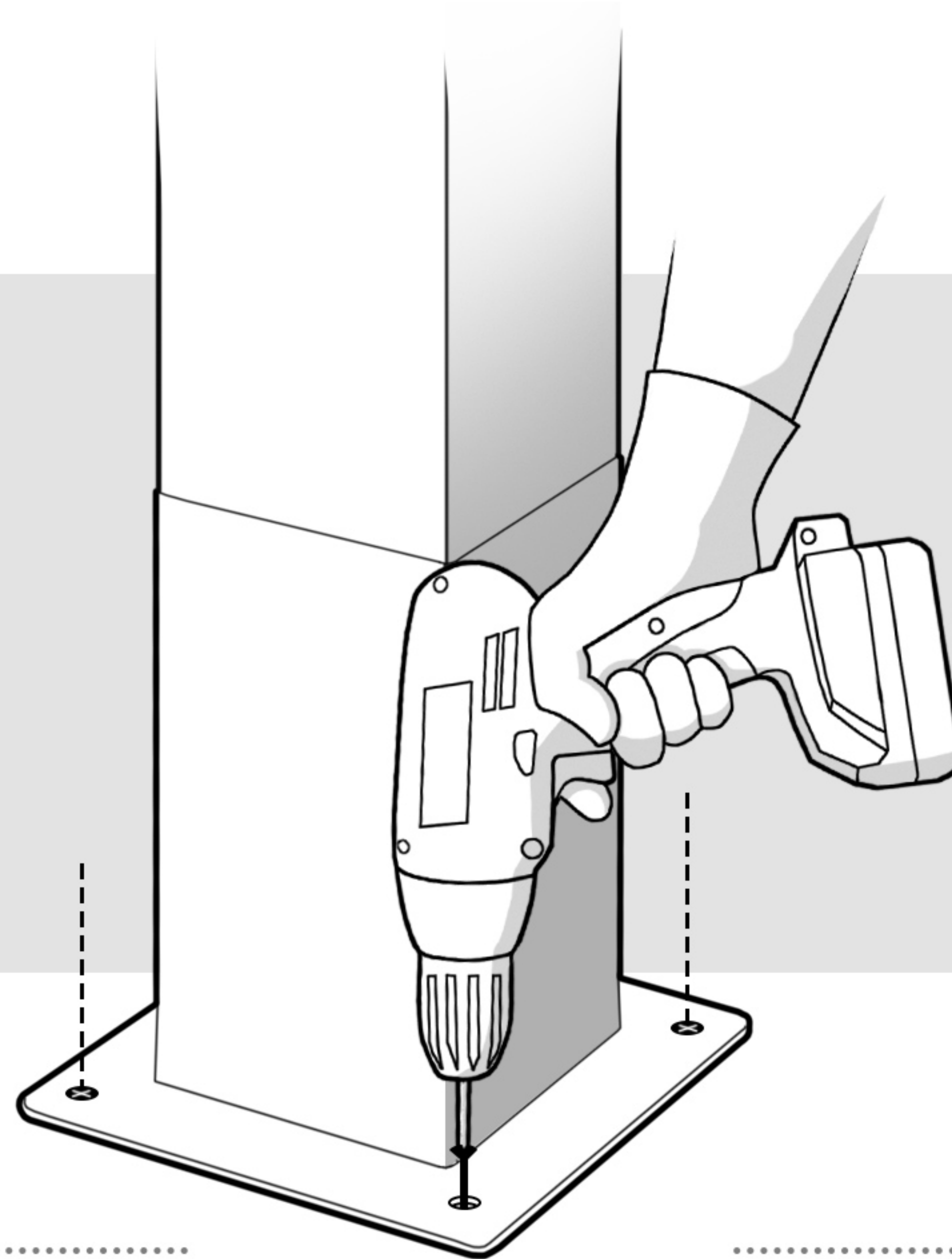
## STEP 7

### ANCHORING

Anchoring hardware not included

#### **IMPORTANT**

After you've measured and leveled  
be sure to anchor all GRID SOLO's



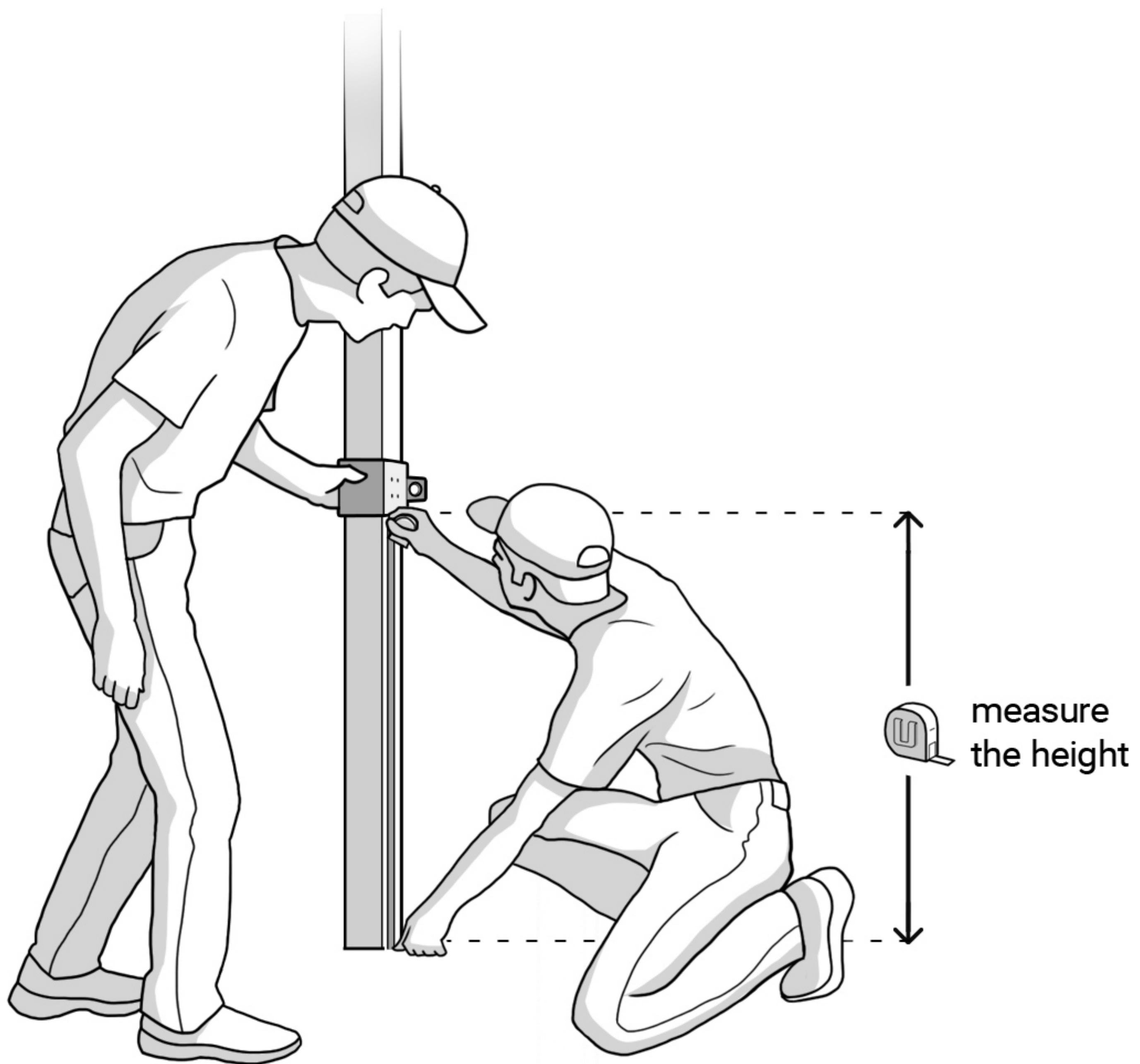
# ENJOY!



### STEP 8.1

### GRID HANGERS

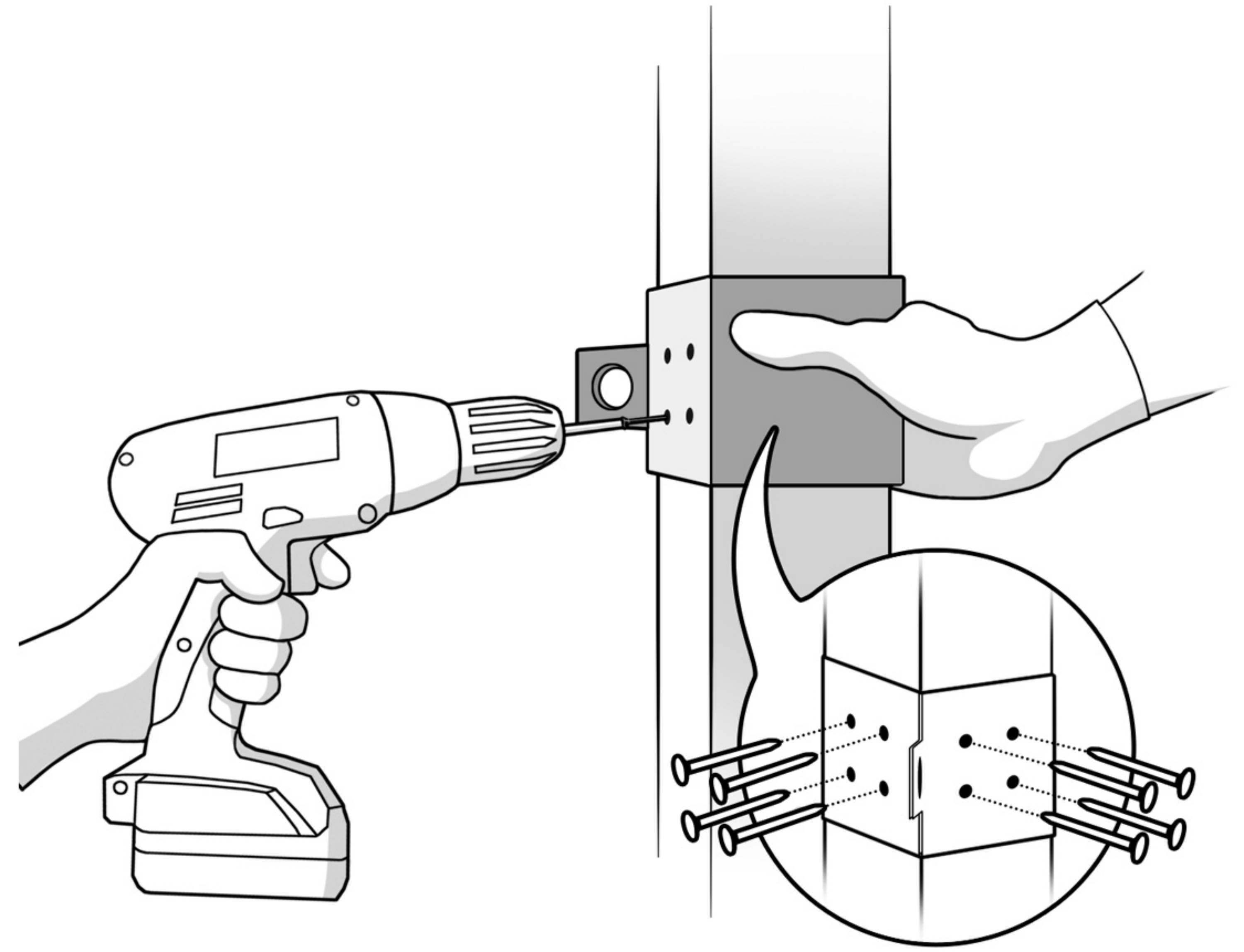
Ensure each hanger is at the same height



### STEP 8.2

### GRID HANGERS

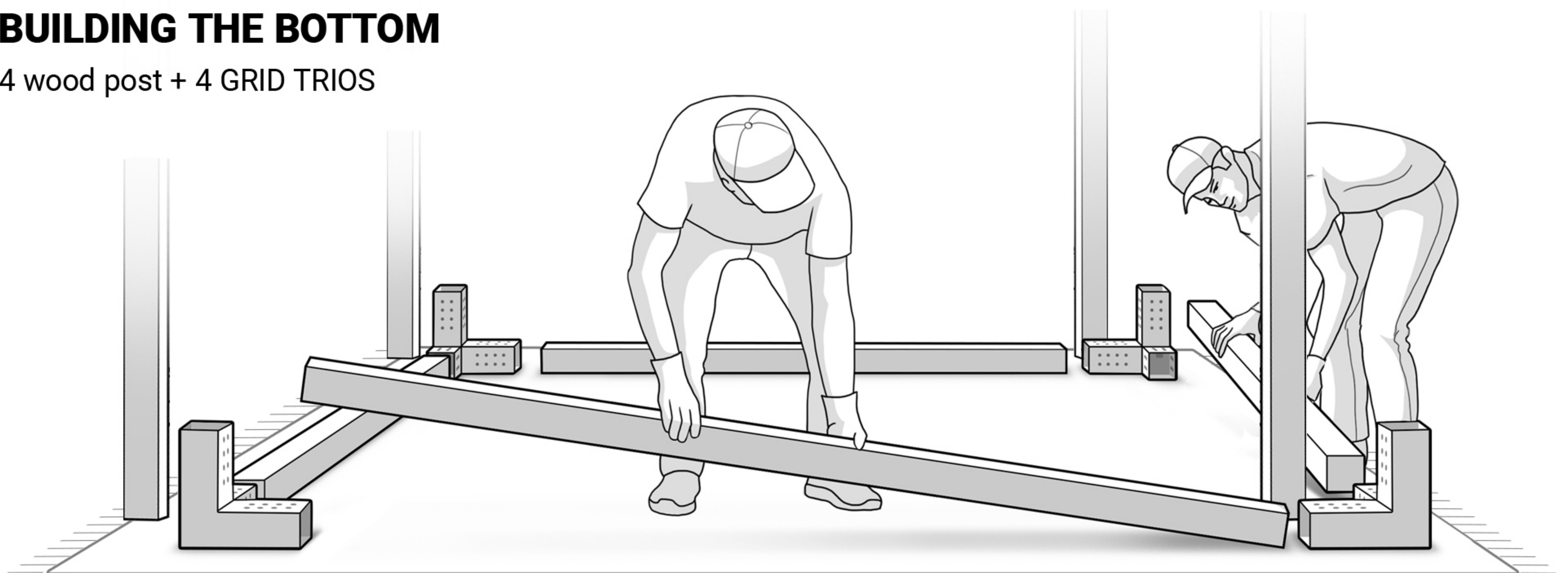
Secure (8 screws per GRID HANGER)



### STEP 9.1

### BUILDING THE BOTTOM

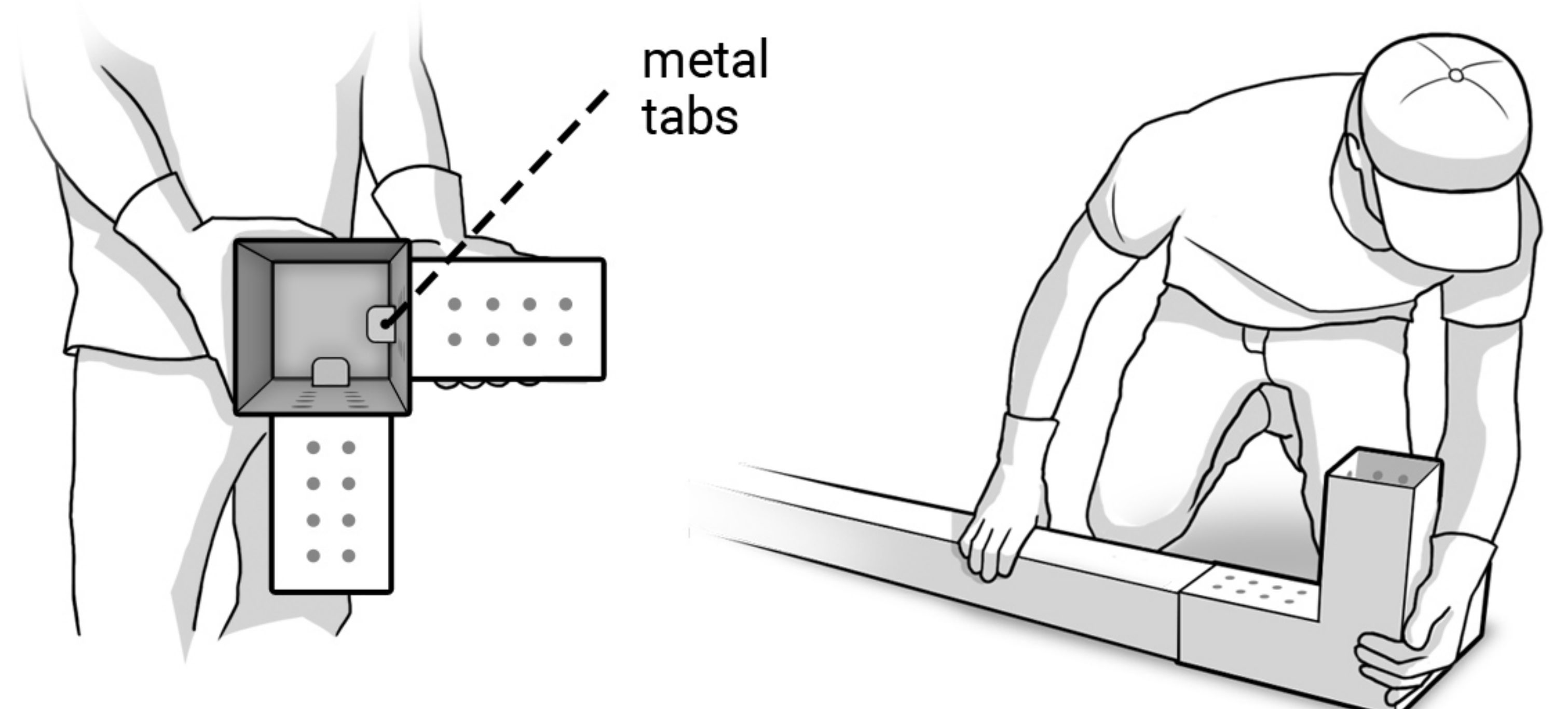
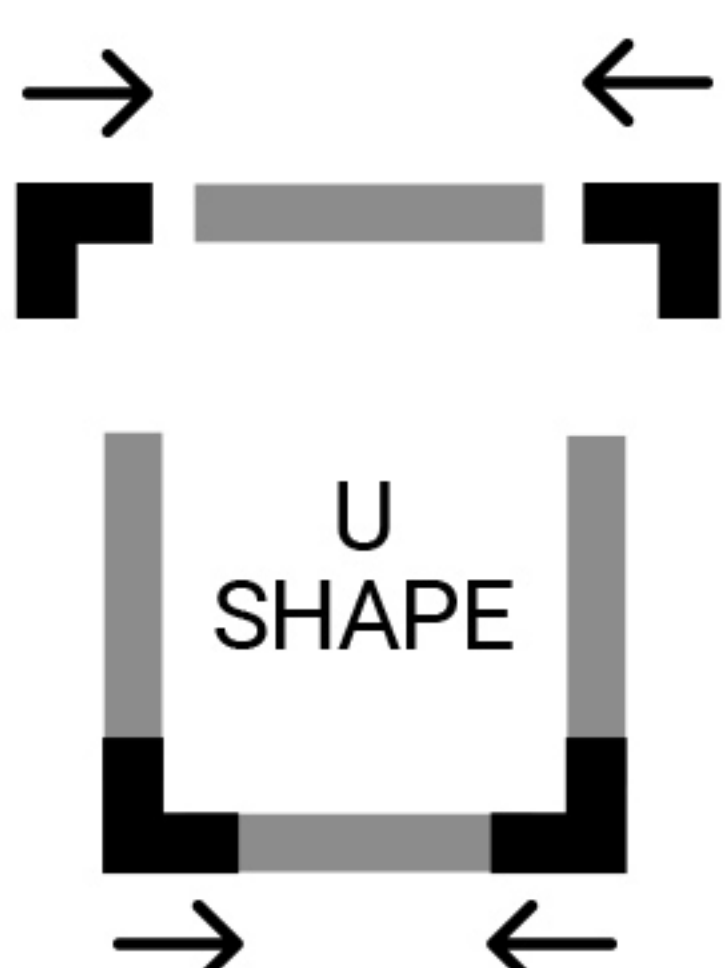
4 wood post + 4 GRID TRIOS



### STEP 9.2

### BUILDING THE BOTTOM

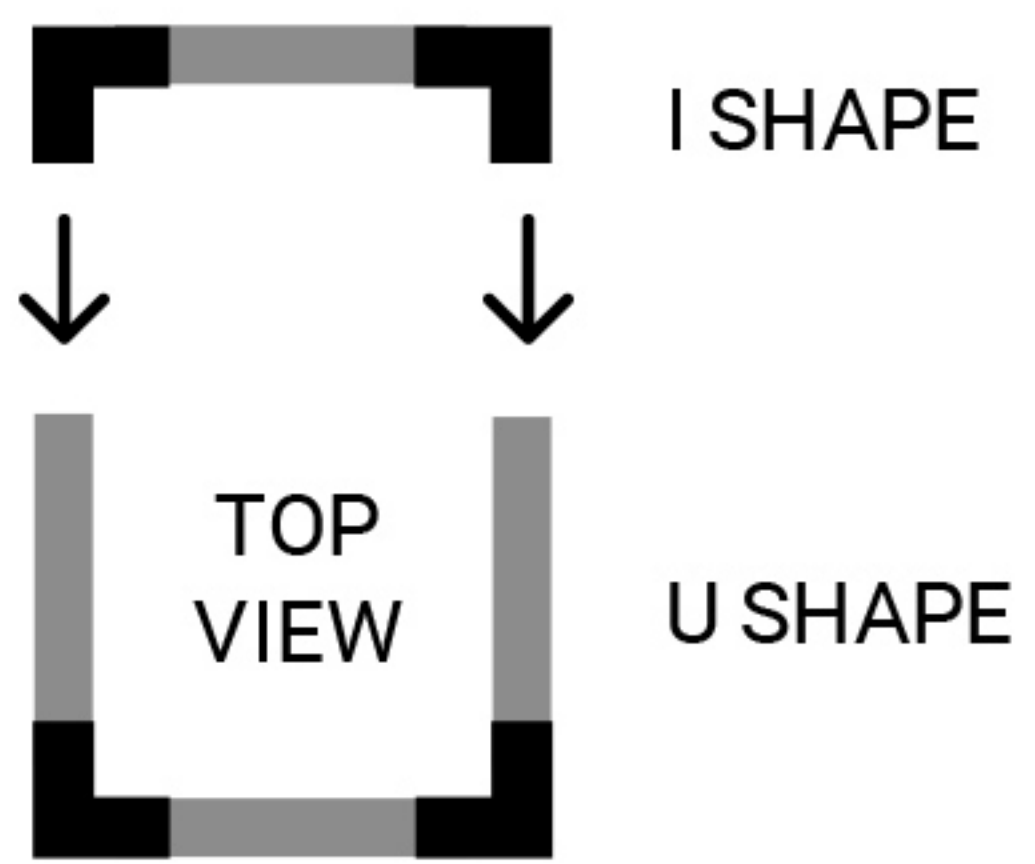
Wood should rest against metal tabs



### STEP 9.3

### BUILDING THE BOTTOM

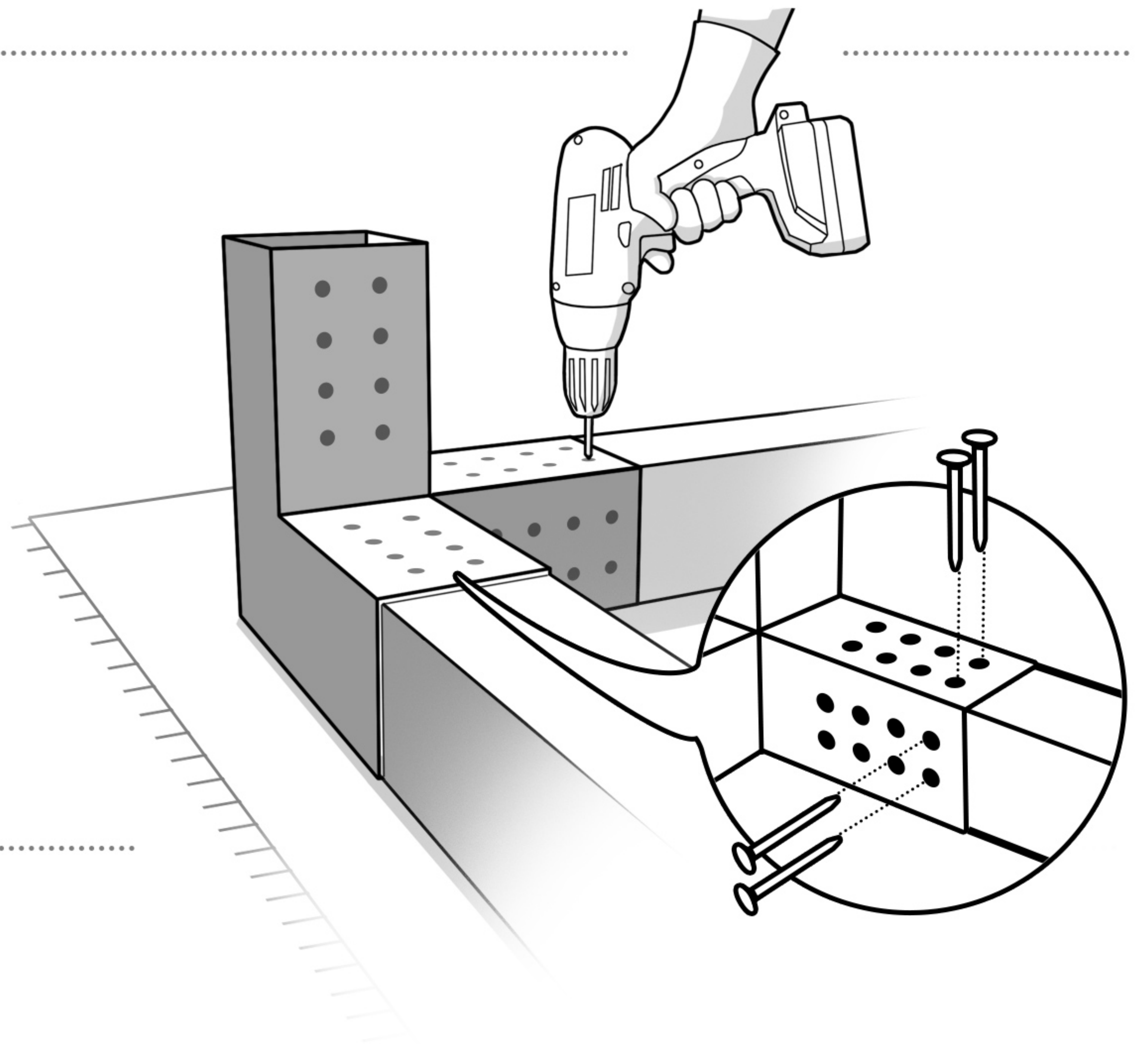
Slide I shape into U shape and secure



### STEP 9.4

### BUILDING THE BOTTOM

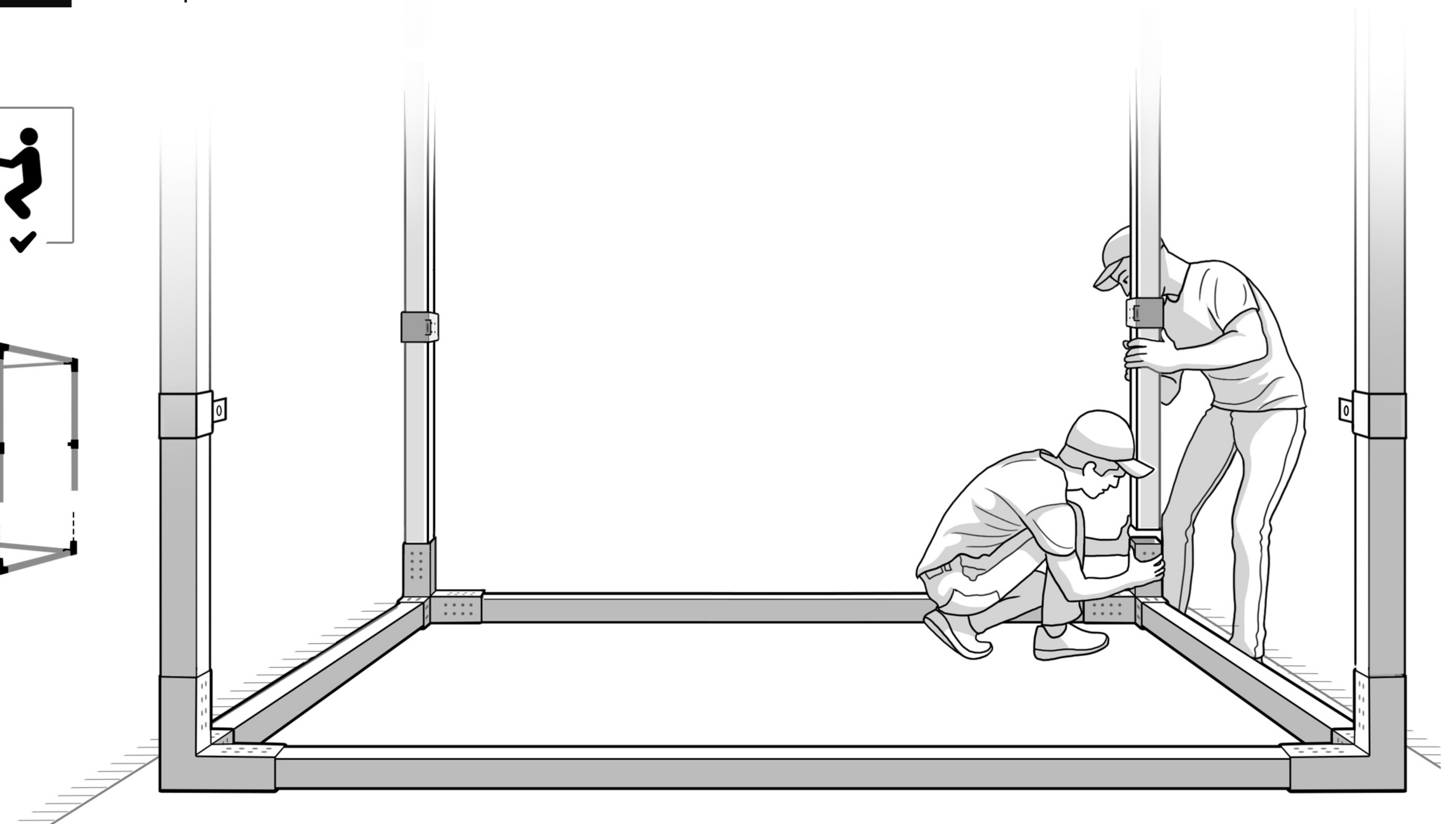
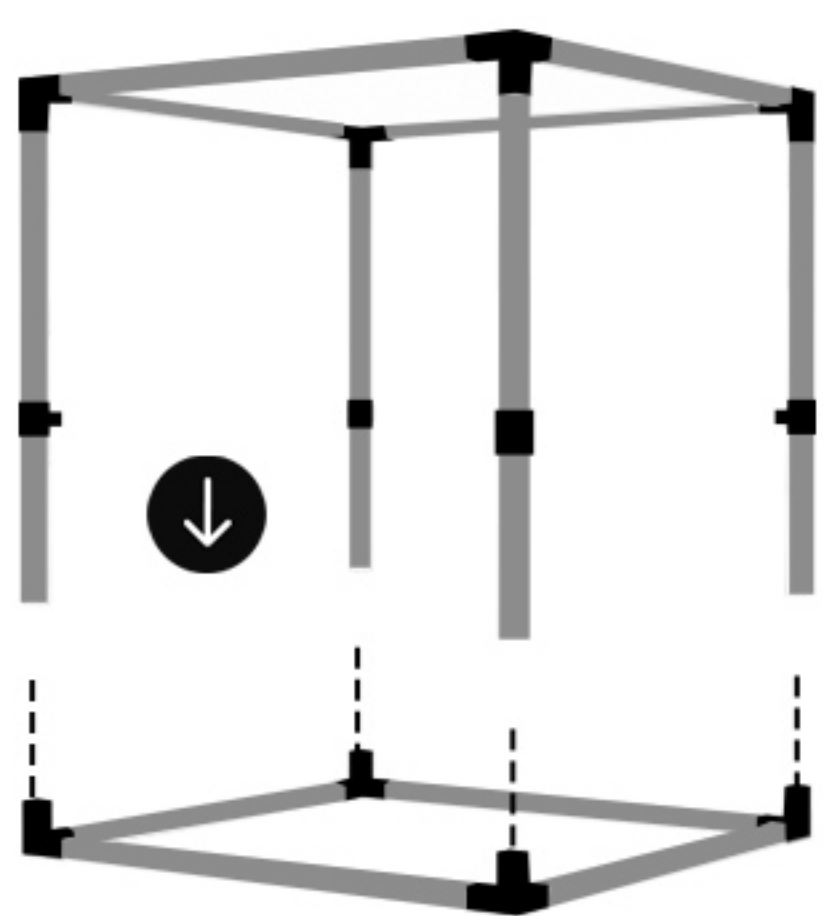
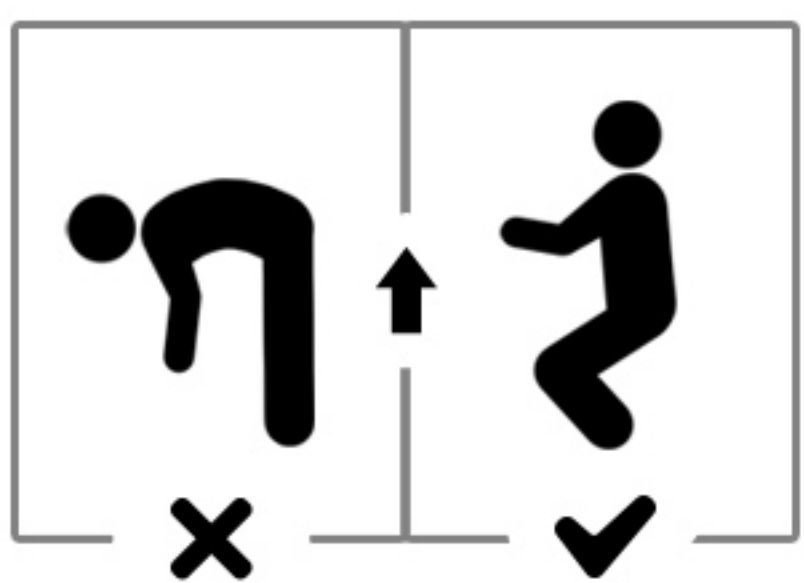
Insert screws (4 per side, 12 per GRID TRIO)



### STEP 9.5

### BUILDING THE BOTTOM

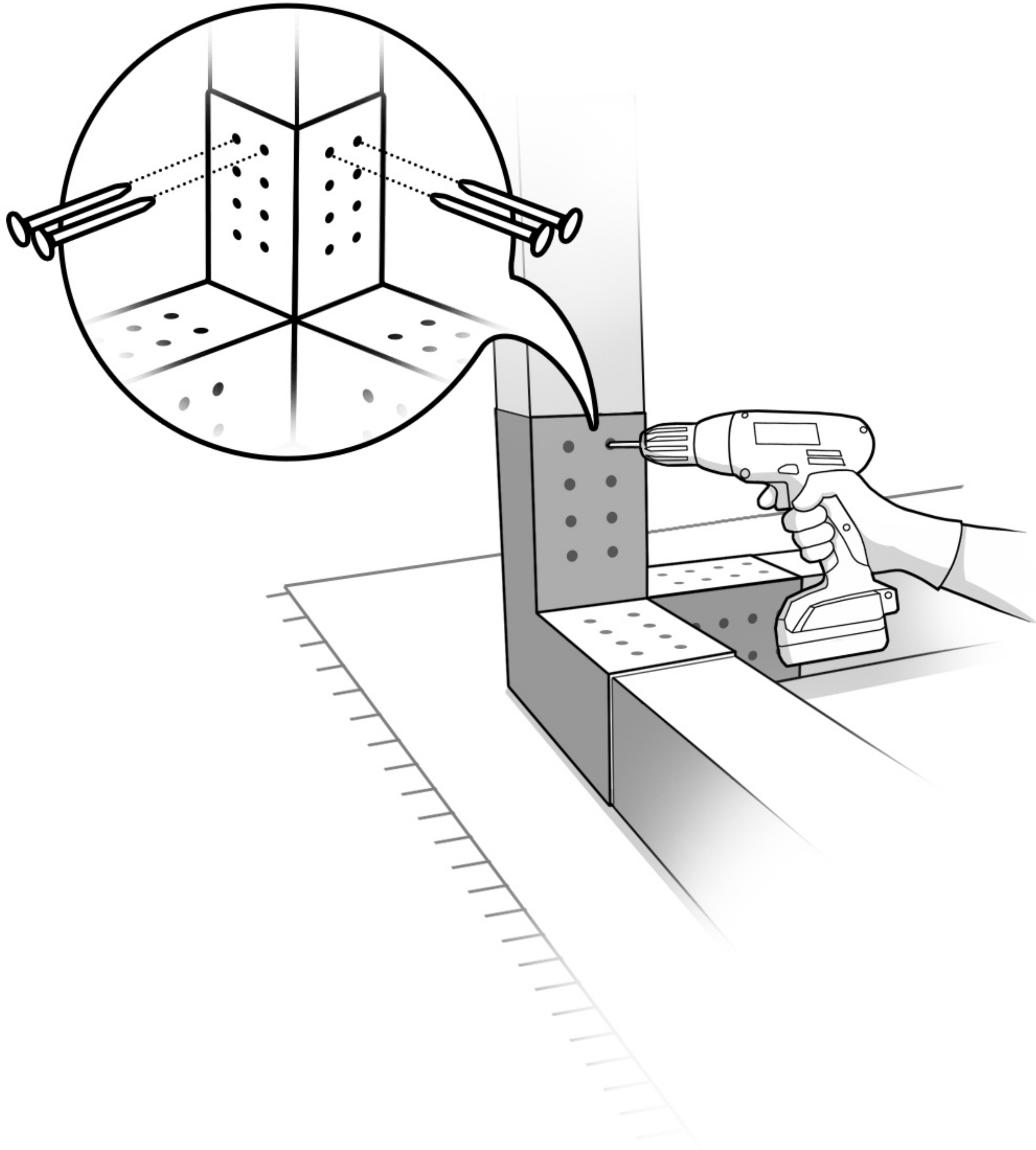
Slide 1 post at a time into the GRID TRIO



### STEP 9.6

### BUILDING THE BOTTOM

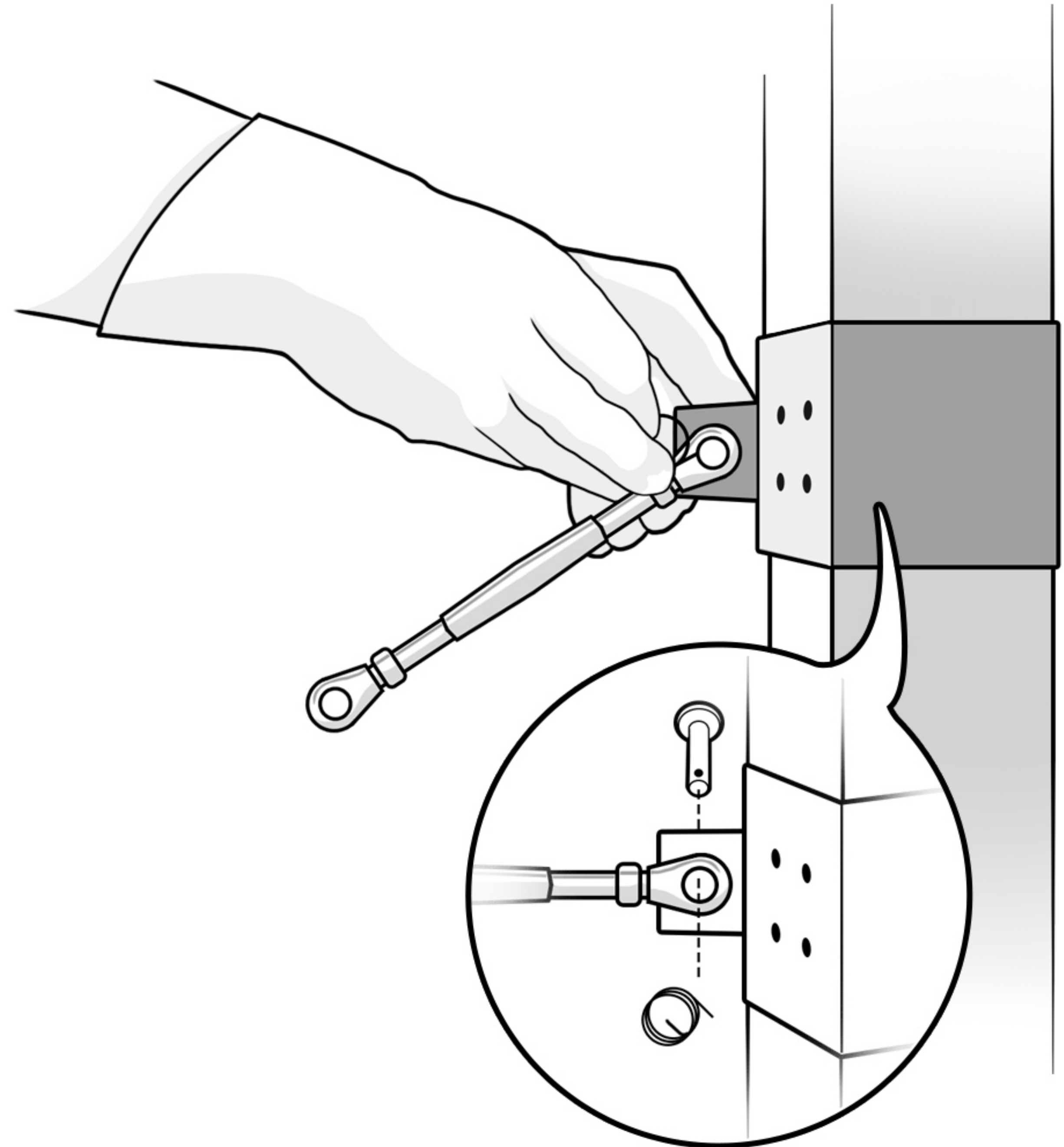
Insert screws (4 per side, 12 per GRID TRIO)



### STEP 10.1

### ATTACHING THE HAMMOCK

Open turnbuckles and attach to GRID HANGERS



### STEP 10.2

### ATTACHING THE HAMMOCK

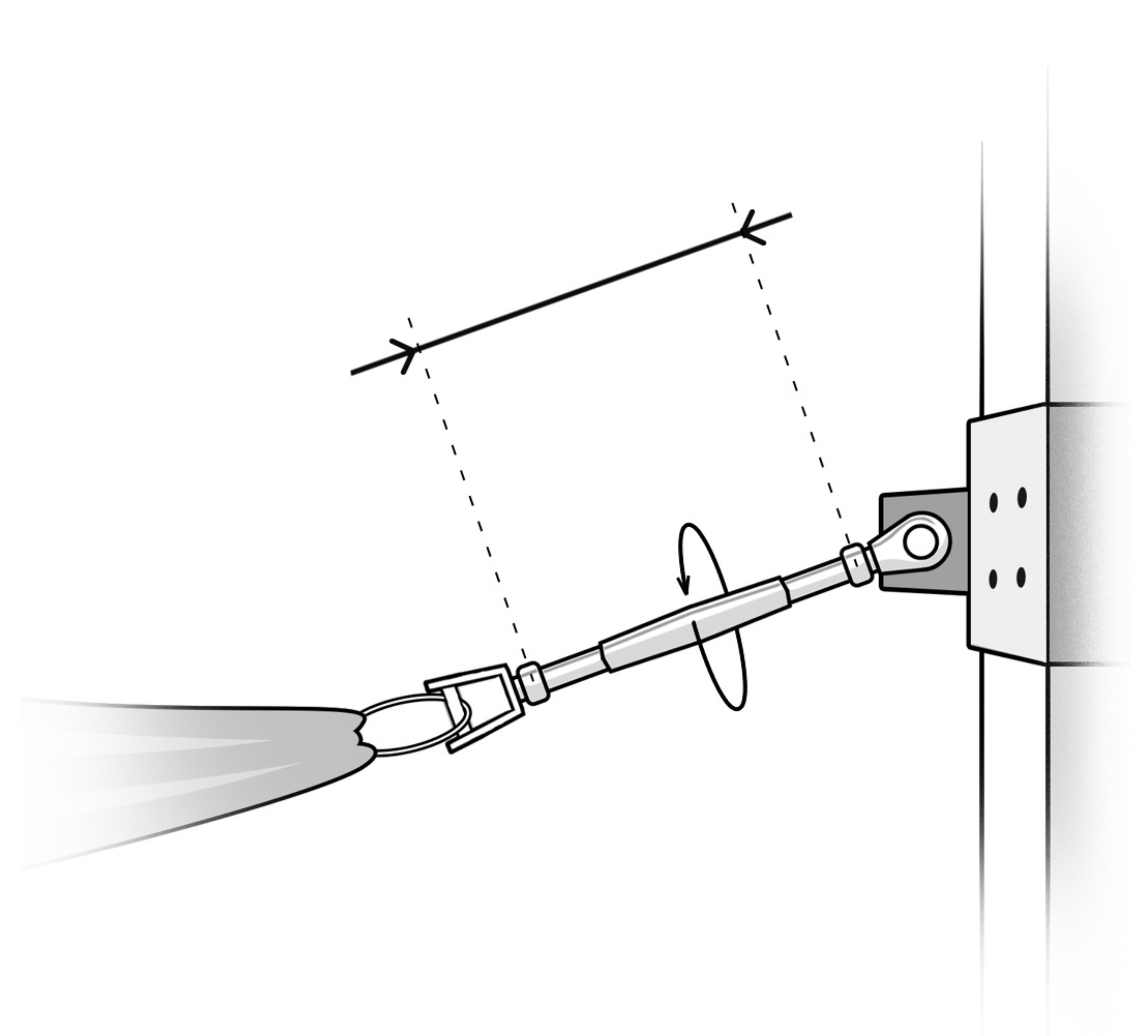
Unfold hammock and connect to all 4 turnbuckles

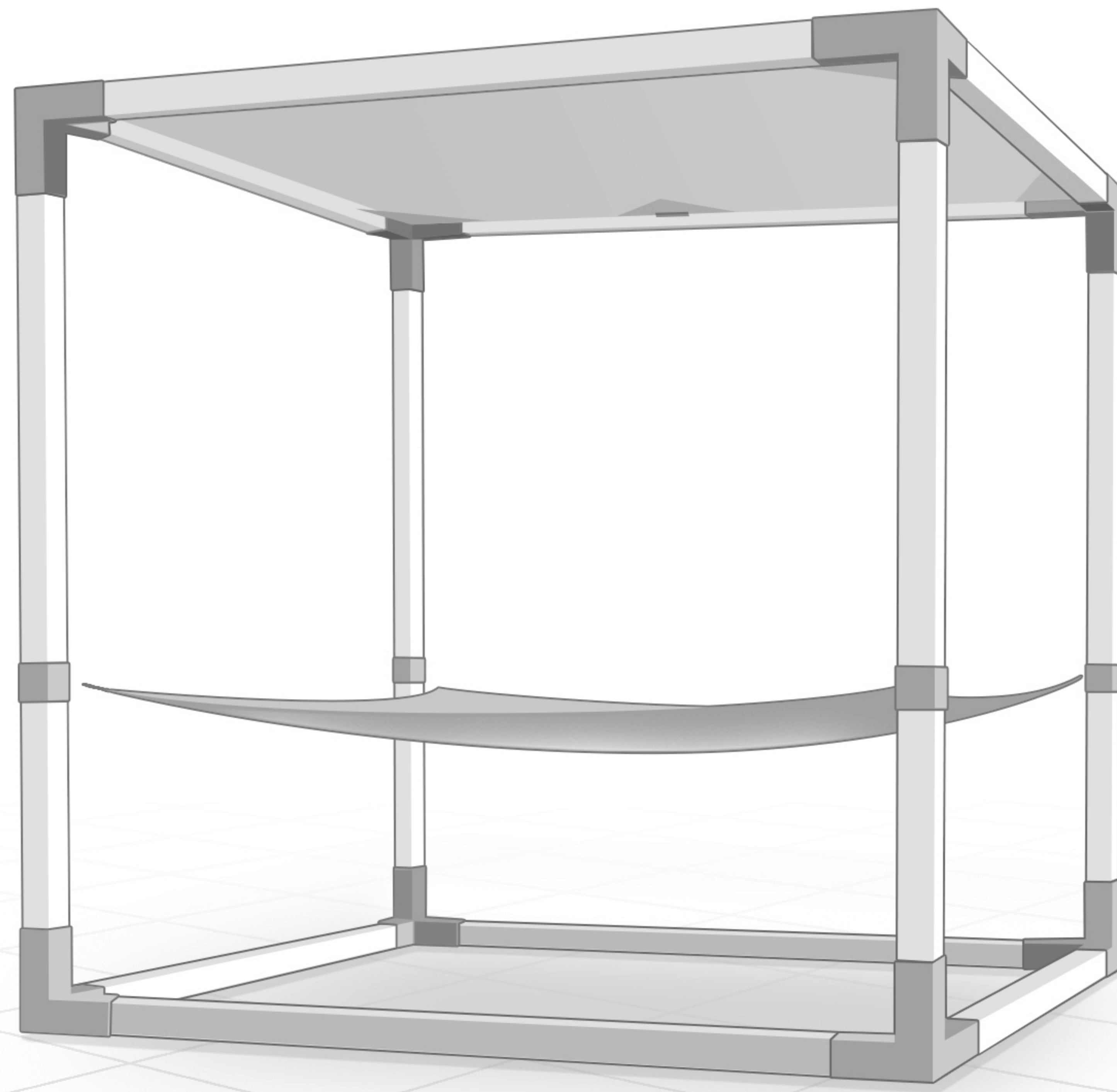


### STEP 10.3

### ATTACHING HAMMOCK

Tighten all 4 turnbuckles to preferred tension





# ENJOY!

## TOJA GRID INC.

---

 3-450 South Service Road West,  
Oakville, Ontario L6K 2H4

 [www.tojagrid.com](http://www.tojagrid.com)

 [info@tojagrid.com](mailto:info@tojagrid.com)

 1-905-338-5442



**VIDEOS**



**PATENT PENDING**

**4X4**

**WOOD POSTS**