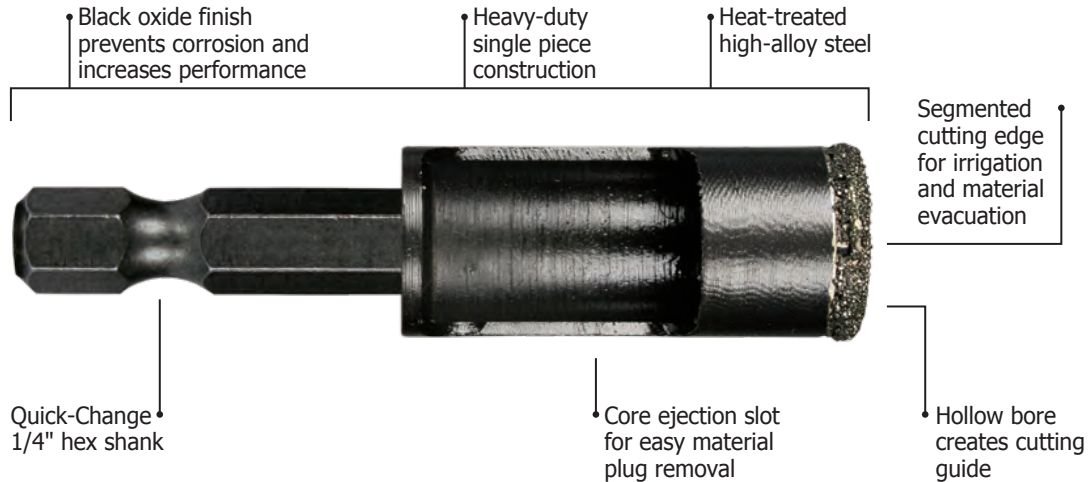




★ Industry Leading Innovation ★

Diamond Tile Drill Bits

More features for better, faster and longer drilling performance.



Benefits:

- 10X Faster than standard glass and tile drill bits
- 15X Longer Life than standard carbide tip spade drill bits
- Hex shank designed for standard and impact drill/drivers and compatible with 1/4" quick connectors
- Up to 40 holes drilled per drill bit
- Durable, self-sharpening diamond cutting edge
- Self-tracking cutting edge
- Drills clean, round holes

Revolutionary Innovation



Comparative Testing



Material: 1/2" granite slab
Hole size: 5/8"
Power tool: 18v power drill

1. Drill Style: Standard/Spade
Drill Time: 2 minutes 30 seconds
Hole: Incomplete

2. Drill Style: Diamond Drill Bit
Drill Time: 45 seconds
Hole: Complete

Part #	MB-65200	MB-65201	MB-65202	MB-65203	MB-65204	MB-65205	MB-65206	MB-65207	MB-65208	MB-65230
Size	3/16"	1/4"	5/16"	3/8"	1/2"	5/8"	3/4"	1"	1 3/8"	3 PC. SET
Master Pk. Quantity	5	5	5	5	5	5	5	3	3	3