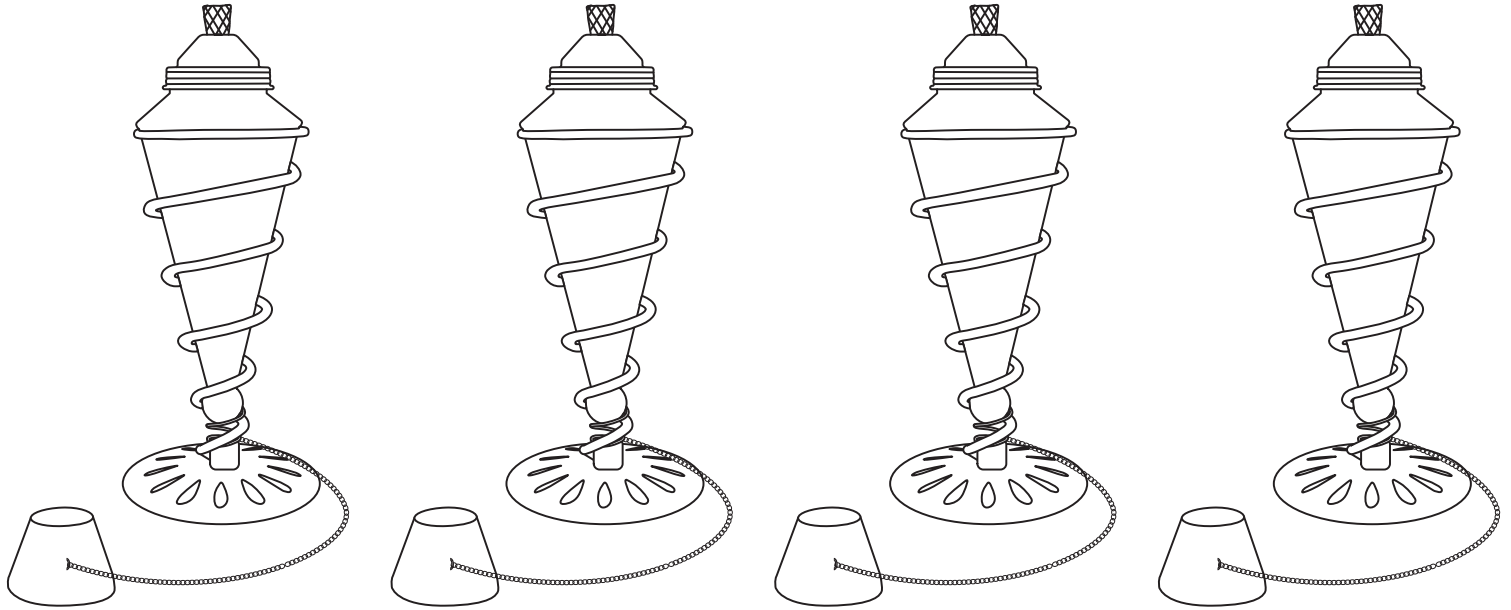


SWIRLING METAL WITH GLASS OUTDOOR TABLETOP TORCHES

Read all information carefully before using this product. Save this manual for future reference.



! DANGER !

Torch Fuel is harmful or fatal if swallowed. Contains petroleum hydrocarbons. Combustible. Read Warning on torch fuel bottle carefully.

! SAFETY STATEMENTS & WARNINGS !

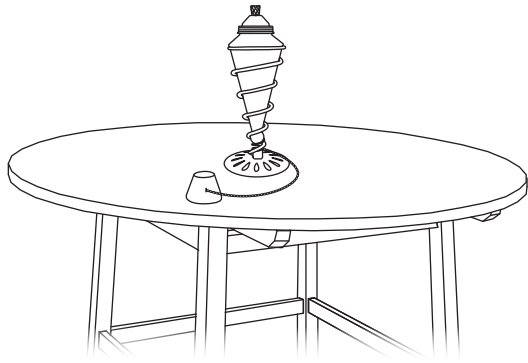
Read all enclosed information thoroughly to develop an understanding of this item before use. Failure to follow warnings and instructions may result in serious injury or destruction of property.

- For outdoor use only.
- Keep out of reach of children or pets.
- Do not tip the torches, fuel may spill and can cause fire or serious injury when lighting the torches.
- Do not leave a burning torch unattended.
- Do not move the torch while it is burning.
- Only use torch fuel; never use gasoline or any other flammable liquids.
- To prevent burn injuries, extinguish the flame and allow the torch to cool down before handling it.
- Fill before use, and only refill when the torch is cold; wait at least 30 minutes before refilling or cleaning.
- Keep clothing, hair, and body parts away from flame.
- DO NOT place torch under covered shelter or umbrella, or near other combustibles, such as but not limited to wood structures, clothing, dry vegetation.
- Hot while in use.

Any modification to the product or failure to follow recommended care will void the product warranty.

ASSEMBLY / INSTALLATION

TABLETOP TORCH



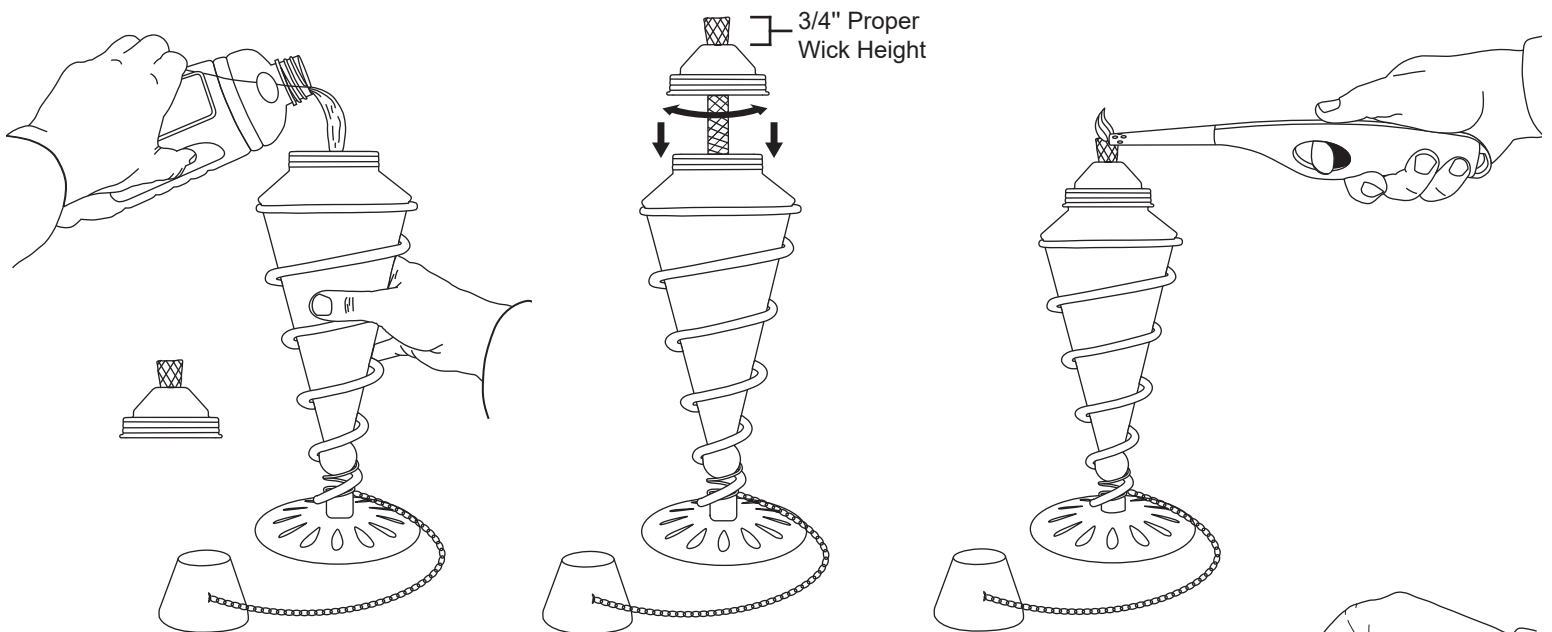
1. Simply place the torch vessel on a table or a flat, level surface.

CAUTION

Do not place torch under covered shelter or umbrella, near pedestrian traffic or combustibles such as, but not limited to, wood structures, fuel, clothing, etc.


FILLING AND LIGHTING


1. Unscrew the metal flame guard from the torch vessel.
2. Fill the torch vessel with torch fuel (not included) until the fuel is 1/2 inch below the bottom rim of vessel. **DO NOT OVERFILL. WIPE AWAY ANY SPILLED FUEL BEFORE LIGHTING.**
3. Position the wick so 3/4 inch of the wick is exposed on the flame guard.
4. Reattach the flame guard to the torch vessel. **DO NOT OVER-TIGHTEN**
5. Allow the wick to absorb and become saturated with the torch fuel before lighting the wick.
6. Use a long lighter or a long fireplace match to light the fiberglass wick.

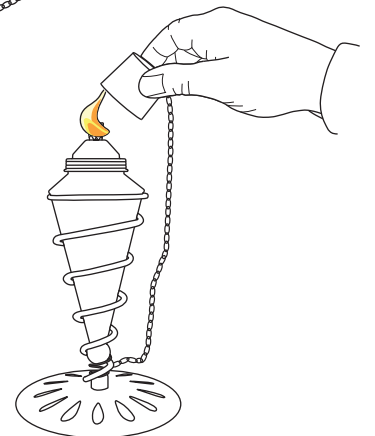


EXTINGUISHING

1. Carefully place the metal snuffer over the lit wick until it is completely extinguished. **DO NOT BLOW OUT**

 **CAUTION:** Snuffer may become hot while flame extinguishes. If flame does not extinguish, use fire-resistant gloves to hold the snuffer over the wick until the flame is completely extinguished.

 **IMPORTANT:** When the torch is not in use, leave the snuffer on the torch to prevent water contamination. If the fuel becomes contaminated with water, the wick and fuel must be replaced. Torch fuel must be properly disposed of in accordance with local laws and regulations.

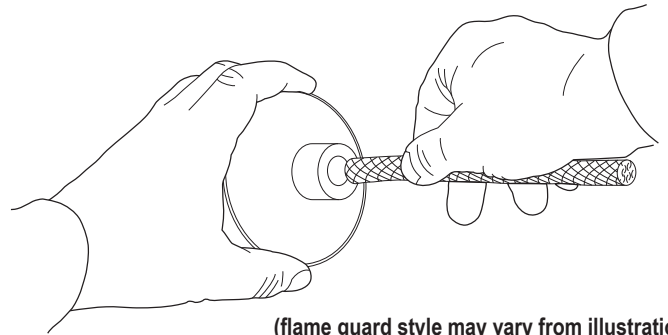


REFILLING

1. If the torch is lit, carefully place snuffer over the flame guard to extinguish the flame. **DO NOT BLOW OUT. Allow the torch to cool for 30 minutes before handling and refilling.**
2. Unscrew the metal flame guard from the torch vessel.
3. Fill the torch vessel with torch fuel (not included) until the fuel is 1/2 inch below the bottom rim of vessel. **DO NOT OVERFILL. WIPE AWAY ANY SPILLED FUEL BEFORE LIGHTING.**
4. Position the wick so 3/4 inch of the wick is exposed on the top of the flame guard.
5. Reattach the flame guard to the torch vessel. **DO NOT OVER-TIGHTEN**
6. Allow the wick to become saturated with fuel before lighting.
7. Use a long lighter or a long fireplace match to light the fiberglass wick.

WICK REPLACEMENT

1. Carefully remove the wick from the flame guard. Properly dispose of the wick in accordance with local laws and regulations.
2. Replace the wick with a new 1/2-inch diameter Sunnydaze Decor Fiberglass Wick and position the wick so 3/4 inch of the wick is exposed on the flame guard.
3. If the wick is too long, trim as needed.



(flame guard style may vary from illustration)

STORAGE

1. Store fuel in the original fuel container with the cap secured. Follow instructions on the torch fuel container when storing torch fuel.
2. Dispose of any unwanted fuel in accordance with local laws and regulations.
3. Always store torches in an upright position, in a dry location.
4. Leave the flame guard and snuffer installed on the torch to prevent contamination of the vessel and the wick.
5. Store all components in a dry, indoor location. Avoid exposure to moisture as it may cause the metal components to rust.
6. Keep torches away from heat sources.

CLEANING

⚠ IMPORTANT:

- Ensure the torch is extinguished and completely cool *before* attempting to clean any components.
 - Do not allow the wick to become contaminated with water or cleaning products. If the wick becomes contaminated, it must be replaced.
1. Use warm water and a soft cloth to remove dirt and debris.
 2. To remove stubborn soot or spilled torch fluid from the outside of the torch, mix detergent with warm water and carefully wipe components down, ensuring the wick does not become contaminated with the soap or water.
 3. Dry all metal components to help prevent rust.

NOTE: Cleaning the inside of the torch vessel is not recommended. Soap residue and water may contaminate the torch fuel and wick, resulting in the torch not functioning as intended.

Any modification to the product or failure to follow recommended care will void the product warranty.

⚠ WARNING:

Manufacturer and seller expressly disclaim any and all liability from personal injury, property damage or loss, whether direct or indirect, or incidental, resulting from the incorrect attachment, improper use, inadequate maintenance, or neglect of this product.