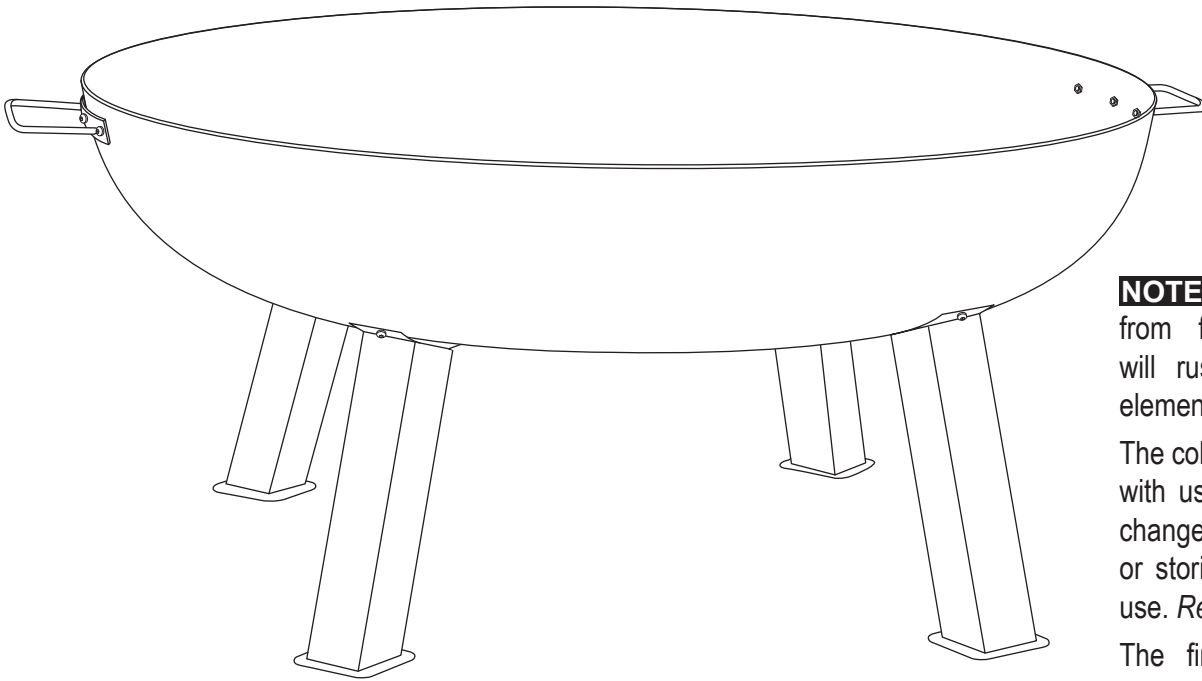


RUSTIC CAST IRON FIRE PIT BOWL

RCM-LG570

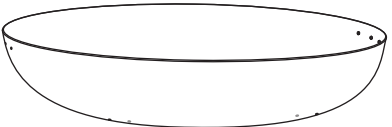
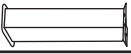




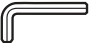
Read all assembly and care instructions carefully before using this product. Save this manual for future reference.
Assemble components on a soft surface to avoid damaging the finish.



NOTE: The firebowl is constructed from ferro-steel cast iron and will rust after exposure outdoor elements (water and oxygen).

The color will change over time and with use. You can help limit color change and oxidization by covering or storing the fire pit when not in use. Refer to Use & Care, page 3.

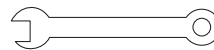
The finish may cause staining, especially if it comes in contact with clothing; avoid contact with clothing.

No.	PARTS		QTY.
A		Firebowl	1
B		Leg	4
C		Handle	2
D		Bolt	14
E		Washer	14
F		Nut	14
G		Hex Key	1



Inspect packaging to ensure all parts are accounted for before disposing of packing materials.
 Save the packing slip.

RECOMMENDED TOOLS (not included)



10mm Wrench

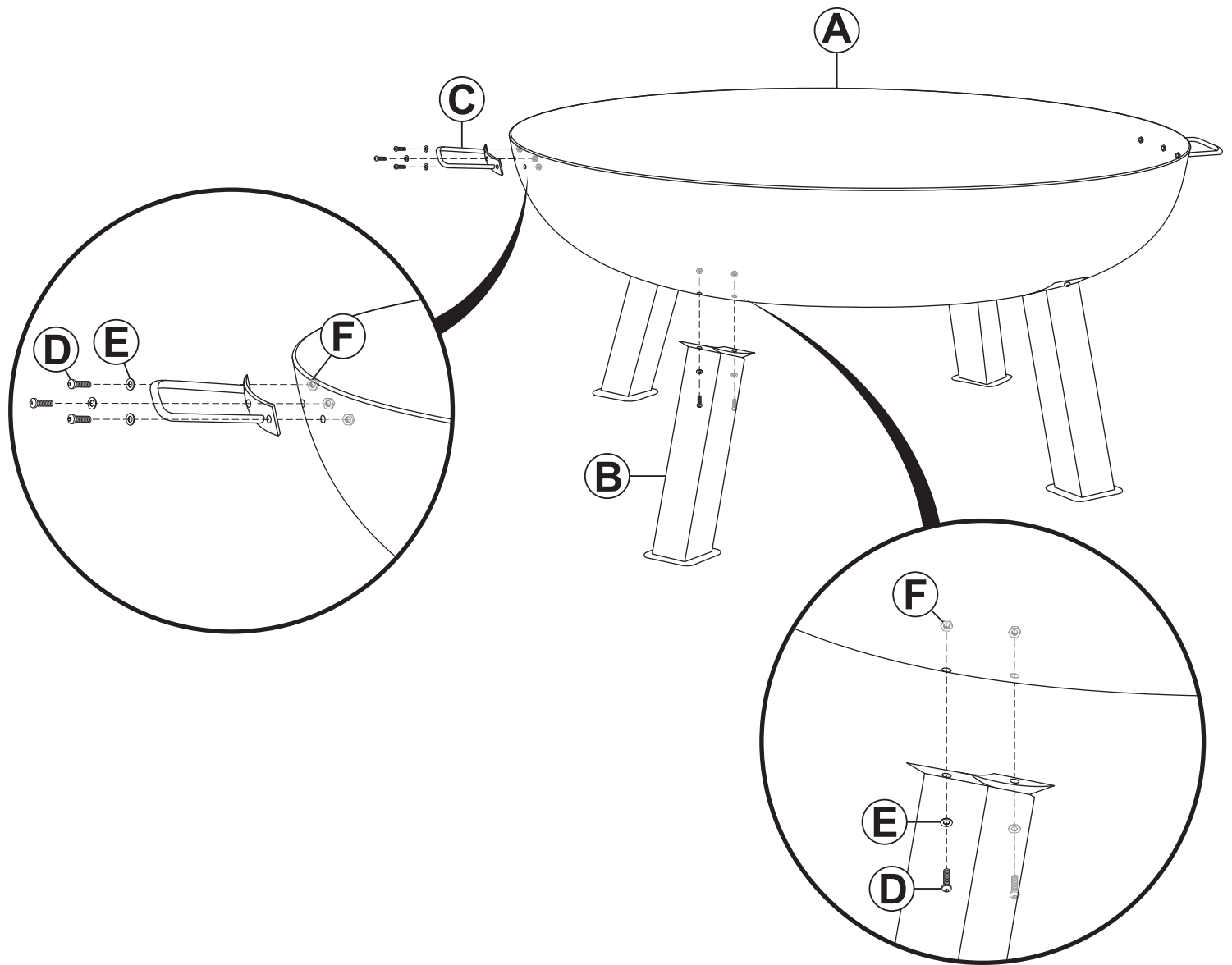
! WARNING !

CHOKING HAZARD — This item contains small parts that can be swallowed. Keep children and pets away during assembly.

! WARNING!

Manufacturer and seller expressly disclaim any and all liability from personal injury, property damage or loss, whether direct or indirect, or incidental, resulting from the incorrect attachment, improper use, inadequate maintenance, or neglect of this product.

ASSEMBLY



Secure one Handle (C) with the mounting holes on the side of Firebowl (A) and firmly secure using three Bolts (D), three Washers (E) and three Nuts (F). Repeat to secure the remaining handle.

Align one Leg (B) with the mounting holes on the bottom of Firebowl (A) and firmly secure using two Bolts (D), two Washers (E) and two Nuts (F). Repeat to secure the remaining three legs.

CARE & MAINTENANCE

SAFE USE: Always use fire pits on a flat, non-combustible surface such as concrete, rock, or stone. Do not use this fire pit on a wood deck or any other combustible surfaces like dry grass, leaves, mulch, etc. Never use in an area with an overhead structure or near any unprotected combustible constructions like vinyl or wood siding. Avoid using near or under overhanging trees and shrubs.

The fire pit will become extremely hot while in use. Always use the fire-resistant gloves and long-handled tools while maintaining fires.

NO ACCELERANTS, NO PLASTIC: Never use accelerants to start a fire; this is dangerous and can damage your fire pit.

Never use any plastic materials in or nearby a fire pit. The emissions from burning plastic are toxic. Additionally, plastic residue is very difficult to remove.

EXTINGUISH: Let fires gradually die down and go out on their own. DO NOT use water to put out a fire as the sudden drop in temperature may damage the metal and/or cause serious injury. If necessary, use sand to extinguish the fire.

Note, ashes can remain hot long after a fire dies down. If you feel heat when your hand is close to the metal or the ashes, the fire pit is too hot to safely empty.

EXPOSURE & MAINTENANCE: Although the fire pit is constructed from durable cast iron, exposure to high-intensity heat and humidity in the air will gradually affect the appearance and integrity of the unit. As with any outdoor product, periodic maintenance is required to maintain integrity and appearance.

Do not allow ash to accumulate in the bottom of the pit. Do not allow water to collect in the firebowl. Never drop the fire pit as doing so could cause permanent damage.

CLEANING: Ensure the fire pit and ashes are completely cool before cleaning. Ashes can remain hot long after a fire dies down. If you feel heat when your hand is close to the metal or the ashes, the fire pit is too hot to clean.

Remove ashes and debris from the firebowl before every use.

COVER AND STORE: Ensure the fire pit is completely cool before covering (cover not included). Always clean the fire pit before covering. Do not allow the fire pit to be exposed to water. The manufacturer is not liable for damage resulting from general use and/or environmental conditions. Store in a dry location; this will protect it from the effects of weather elements.

SAFETY STATEMENTS & WARNINGS

- For outdoor use only. Never use this product in an enclosed area.
- Always follow local laws and regulations when using wood-burning fire pits.
- Exercise the same care and precautions as you would with an open fire.
- Only use this fire pit on a level, non-combustible surface.
- Keep unit a safe distance away from buildings, balconies, or overhangs when in use. Do not use on or near combustible surfaces or structures such as wood decks, dry leaves or grass, mulch, vinyl or wood siding, etc.
- Keep away from all combustible materials including gasoline and other flammable liquids and vapors.
- Never use accelerants such as, but not limited to, gasoline, alcohol, paint thinners, kerosene, as this may cause damage or serious injury.
- The fire pit becomes very hot when in use. Ensure the unit completely cool before cleaning or moving.
- Always supervise children and pets when the fire pit is in use.
- Do not overfill or use this unit to burn leaves or trash.
- Avoid using any fire pit during dry or windy conditions.
- Never leave unit unattended while hot or in use.
- DO NOT USE CHEMICAL-BASED CLEANERS as this may damage the product and/or ignite a flame during the next use.
- Extinguish the fire properly before leaving the unit unattended. It is best to let the fire die on its own, but you can use a bucket of sand to smother the fire if necessary. Do not use water to extinguish hot fires or embers as this may cause serious injury and damage the product.
- Ashes can remain hot for a long time after fire is extinguished. Dispose of cold ashes properly.
- Always ensure the unit is completely cool before moving or covering.

Contact your local authorities regarding possible burn restrictions before using this product.

Any modification to the product or failure to follow recommended care will void the product warranty.

If you experience issues with assembly or the product was damaged during shipping, please contact our customer service team through one of the methods mentioned at the top of page 1.

Please have the item number and order information ready to expedite response time.

NOTICE:

Manufacturer and seller expressly disclaim any and all liability from personal injury, property damage or loss, whether direct or indirect, or incidental, resulting from the incorrect attachment, improper use, inadequate maintenance, or neglect of this product.