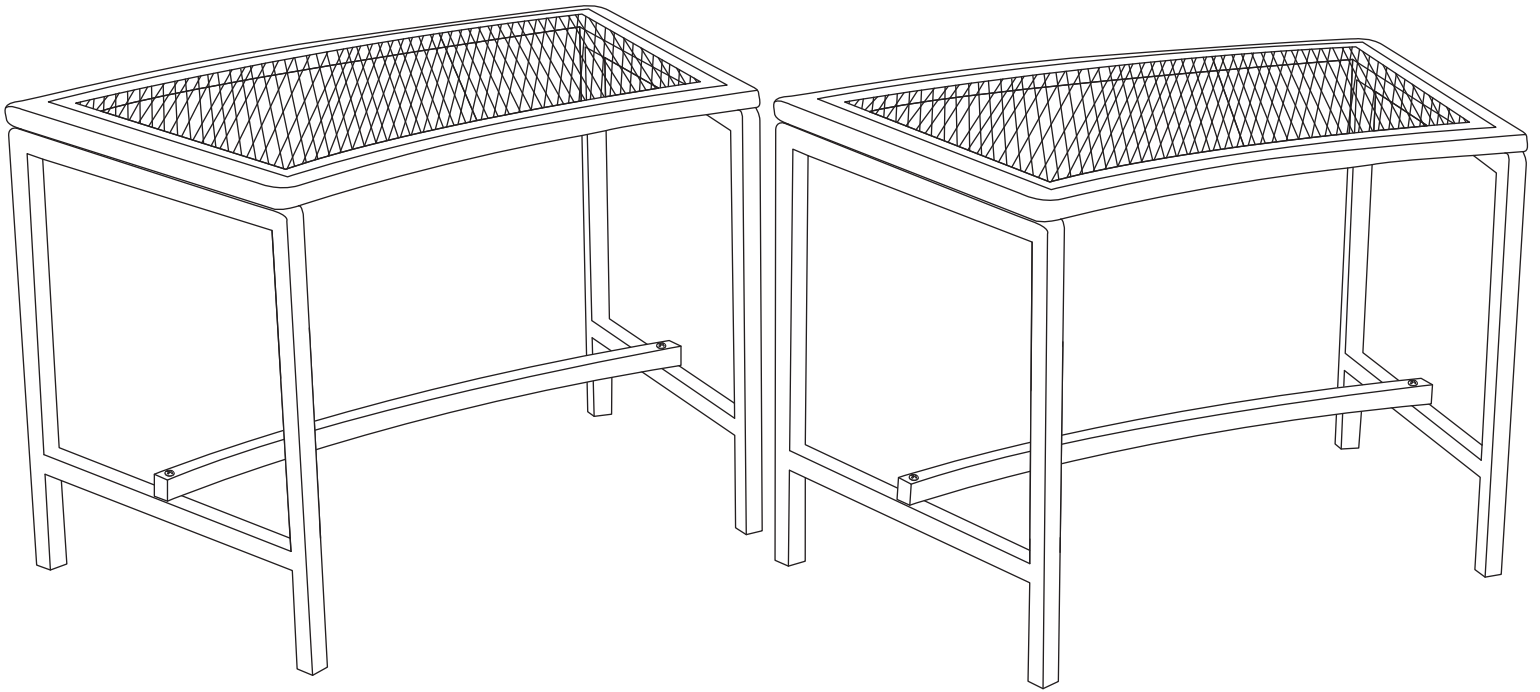


MESH CURVED PATIO FIRE PIT BENCH

RCM BMB101

Review all assembly and care information carefully before using this product. Save this manual for future reference.
Assemble components on a soft, clean surface to avoid damaging the finish.



335
pounds
152 kg
Weight Capacity



Inspect packaging to ensure all parts are accounted for before disposing of packing materials.
 Save the packing slip.



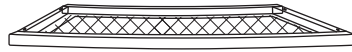


**SCAN THIS CODE
WITH A SMARTPHONE
TO VIEW OUR
ASSEMBLY VIDEO**


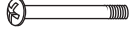

WARNING

CHOKING HAZARD — This item contains small parts that can be swallowed. Keep children and pets away during assembly.

WARNING:

Manufacturer and seller expressly disclaim any and all liability from personal injury, property damage or loss, whether direct or indirect, or incidental, resulting from the incorrect attachment, improper use, inadequate maintenance, or neglect of this product.

No.	PARTS		QTY.
A		Seat	2
B		Side Panel	4
C		Stretcher	2

No.	HARDWARE		QTY.
1		M6x35mm Bolt	8
2		M6x50mm Bolt	4
3		Nut	4

TOOLS REQUIRED (not included)



Phillips Screwdriver

ASSEMBLY

Review all steps and understand assembly before beginning.

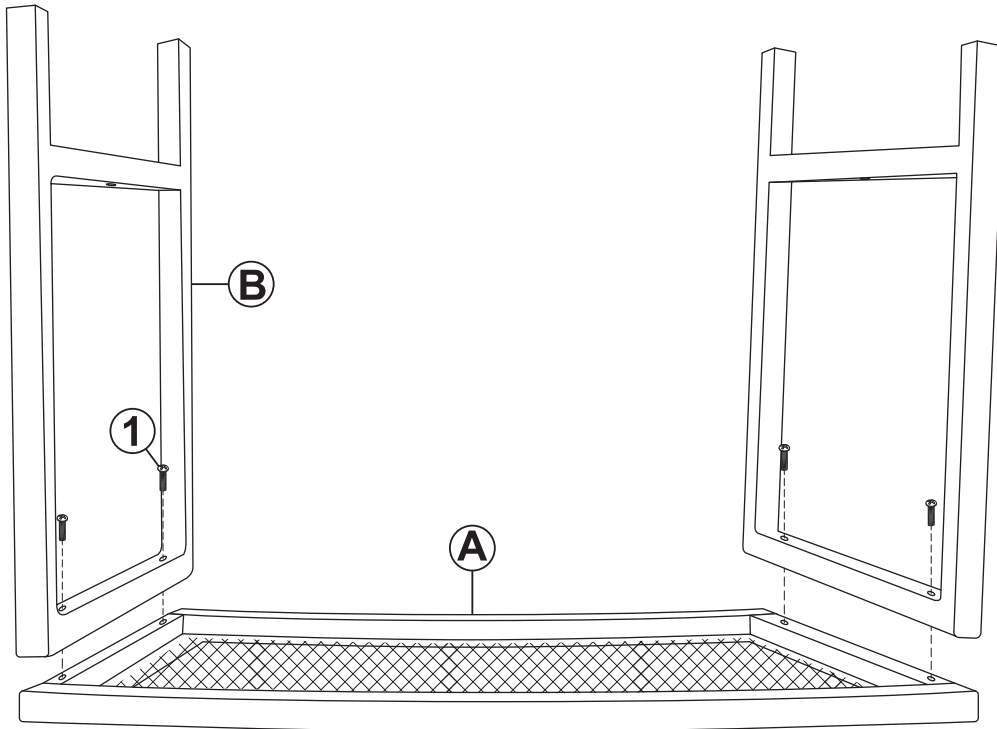
Do not fully tighten hardware until all components have been loosely assembled.

STEP 1

A: 1

B: 2

1: 4



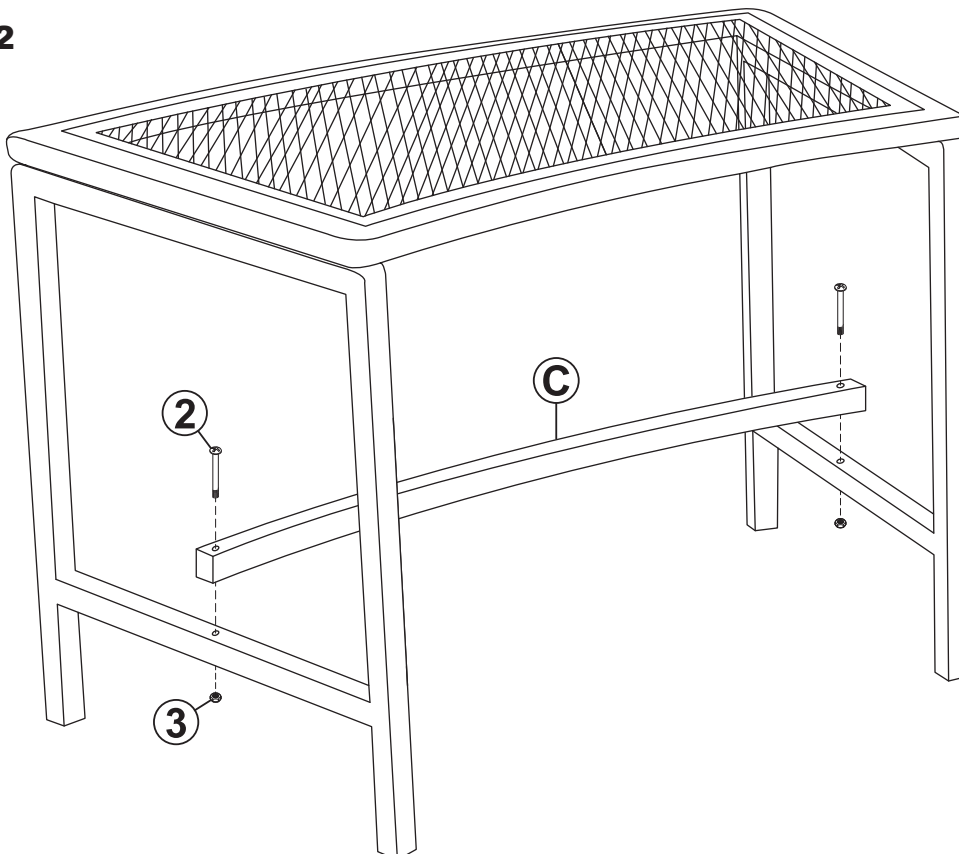
- Lay Seat (A) face-down on a soft, clean surface.
- Align Side Panels (B) with the side of the seat panel and loosely secure by hand tightening two M6x35mm Bolts (1).
- Repeat the previous step to loosely fasten one more side panel to the opposite side of the seat.

STEP 2

C: 1

2: 2

3: 2



- Flip the unit upright.
- Align Stretcher (C) with the side panels and loosely secure using two M6x50mm Bolts (2) and two Nuts (3).
- Firmly tighten all screws.

Care & Maintenance

SAFE USE: For residential use only. Only use on a flat, level surface. Do not exceed the weight capacity. Never stand on this unit.

INSPECT: Periodically check assembly points and tighten fittings as necessary.

COVER: When not in use, cover with a breathable cover to help protect it from the harmful effects of sunlight, inclement weather, as well as dust build-up, and collecting debris.

WINTER CARE & STORAGE: During winter & freezing temperatures, move to a cool, dry indoor location.

SCRATCHES: The finish on this product is tough & durable but, even under normal use, some scratching is inevitable. Scratches can be repaired with rust-resistant paint (not included).

WARNING: THE ONE-YEAR WARRANTY DOES NOT COVER DAMAGES OR DEFECTS CAUSED BY THE APPLICATION OF CHEMICAL TREATMENTS, PROTECTIVE COATINGS, TOUCH-UP PAINT, OR CLEANING PRODUCTS.

Cleaning

 **HAND-WASH ONLY**

 **DO NOT USE BLEACH**

 **DO NOT USE A PRESSURE WASHER**

Mix warm water with mild detergent. Use a soft cloth to hand-wash the furniture. Use a garden hose to thoroughly rinse away all soap residue. To prevent water spotting, dry with a soft, lint-free cloth.

SAFETY STATEMENTS & WARNINGS

- For residential use only. Not for commercial or industrial use.
- Ensure all fittings are tight before use. Periodically check fittings to ensure they remain tight.
- Only use this unit on a flat, level surface.
- Never stand or climb on the unit.
- Do not exceed the weight capacity of the furniture.
- Never allow children to use this product unsupervised.
- Keep furniture a safe distance from heat sources such as fire pits, patio heaters, and grills as the metal can become hot.
- Never use chemical cleaning products or polishes as doing so may damage the finish.

Any modification to the product or failure to follow recommended care will void the product warranty.

If you experience issues with assembly or the product was damaged during shipping, please contact our customer service team directly through one of the methods mentioned at the top of page 1.

Please have the item number and order information ready to expedite response time.

WARNING:

Manufacturer and seller expressly disclaim any and all liability from personal injury, property damage or loss, whether direct or indirect, or incidental, resulting from the incorrect attachment, improper use, inadequate maintenance, or neglect of this product.