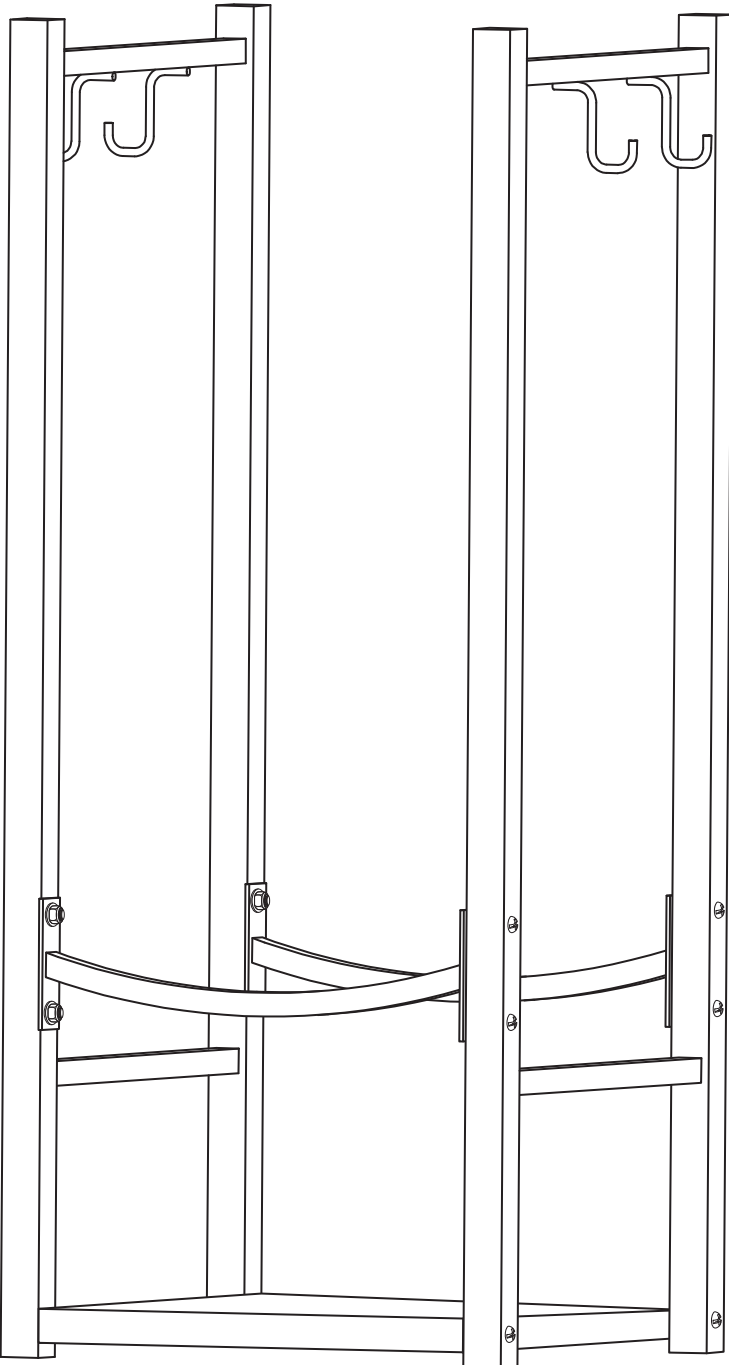


Thank you for choosing Sunnydaze Decor. We stand behind our brand and the quality of the items we sell. Replacement parts or products will be sent at our discretion within the 1-year warranty period. Proof of purchase, with the date of purchase as well as photos of the merchandise defect, must be provided. Photos are used to determine the cause of defects and for future quality control. Register your warranty at <https://tiny.cc/SunnydazeWarranty>. If you have any questions, comments or concerns, feel free to contact us by phone at 833-982-1977, by email: customerservice@sunnydazedecor.com, or via our contact us page at <https://tiny.cc/SunnydazeContact>

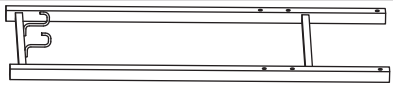





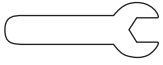

FIRESIDE LOG RACK WITH TOOL HOLDERS

QX-FLRH

Read all assembly and care instructions carefully before using this product. Save this manual for future reference.
Assemble components on a soft, clean surface to avoid damaging the finish.



Inspect packaging to ensure all parts are accounted for before disposing of packing materials.
 Save the packing slip.

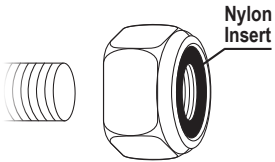
| No. | PARTS | | QTY. |
|-----|---|------------------|------|
| A |  | Side Panel | 2 |
| B |  | Bracket | 2 |
| C |  | Shelf | 1 |
| D |  | M6x35mm Bolt | 12 |
| E |  | Washer | 12 |
| F |  | Lock Nut | 12 |
| G |  | Spanner | 1 |
| H |  | Phillips Hex Key | 1 |

⚠ WARNING ⚠

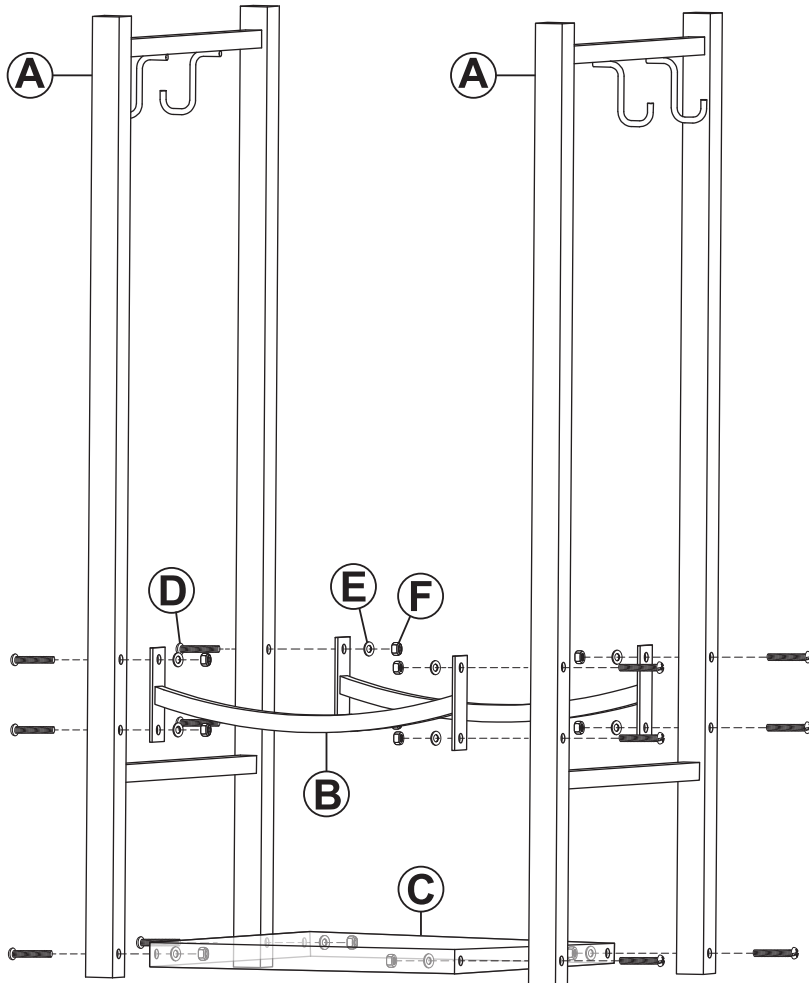
CHOKING HAZARD — This item contains small parts that can be swallowed. Keep children and pets away during assembly.

ASSEMBLY

Review all information and understand assembly before beginning.



! IMPORTANT: Lock nuts must be installed with the nylon insert on the outside. Tools are required to fully tighten lock nuts, failure to properly tighten the lock nuts may result in product malfunction or personal injury.



1. Align Shelf (C) with the bottom of one Side Panel (A) and loosely secure by hand-tightening two M6x35mm Bolts (D), two Washers (E) and two Lock Nuts (F). Repeat to loosely secure the remaining side panel.
2. Align Brackets (B) with the side panels and loosely secure each bracket by hand-tightening four M6x35mm Bolts (D), four Washers (E) and four Lock Nuts (F), as shown.
3. Fully tighten all hardware using included Spanner (G) and Phillips Hex Key (H).

TIP: To tighten the hardware more quickly, turn the screwdriver on the bolt head clockwise while simultaneously turning the spanner on the lock nut counterclockwise.

! SAFETY STATEMENTS & WARNINGS !

- Place log rack on a hard, dry surface.
- Do not overload the log rack — holds approximately 1/8 face-cord of firewood.
- Ensure fittings are tight before use. Periodically check and tighten hardware as necessary.
- Protect the unit from outdoor elements with a cover. Cover not included.
- Do not allow children to play with or around the log rack.

Any modification to the product or failure to follow recommended care will void the product warranty.

! WARNING!

Manufacturer and seller expressly disclaim any and all liability from personal injury, property damage or loss, whether direct or indirect, or incidental, resulting from the incorrect attachment, improper use, inadequate maintenance, or neglect of this product.