

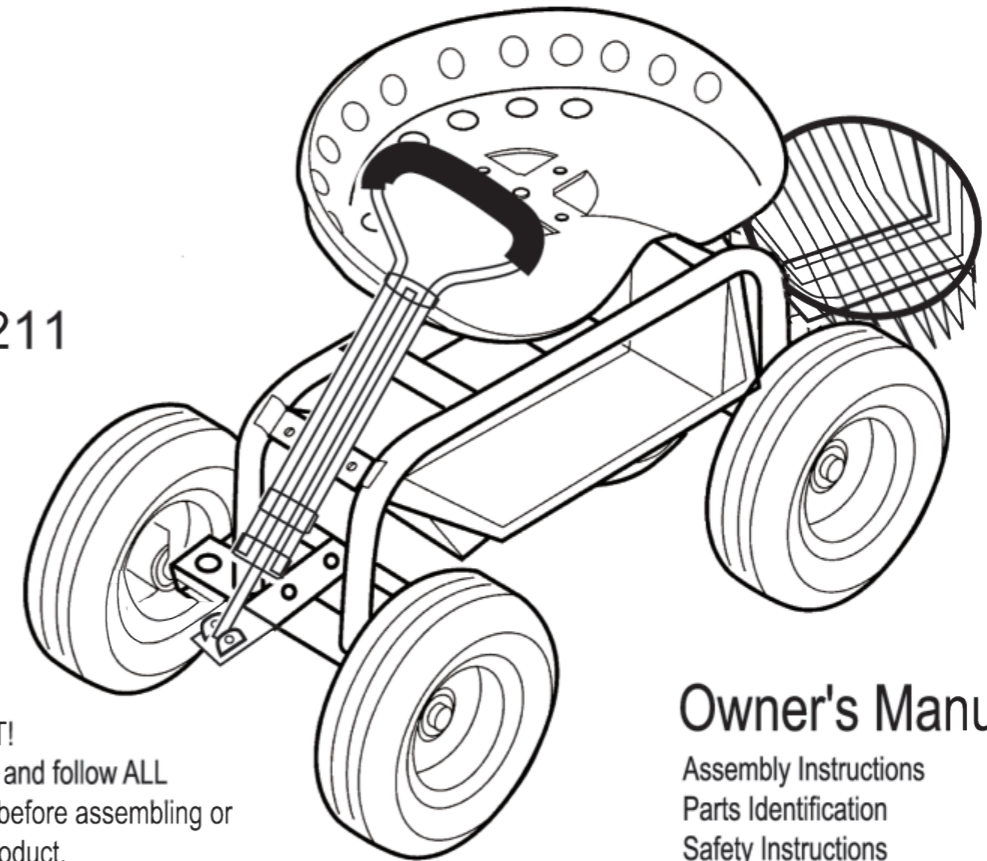


Thank you for choosing Sunnydaze Décor. If you have any questions, comments or concerns please feel free to contact us by phone at: **888-881-4668**, by email: **customerservice@serenityhealth.com**, or you could also email us via our contact us page at: **www.SerenityHealth.com/contact-us/**.

We stand behind our brand and the quality of the items we sell. We will send new parts, or replace products at our discretion within the one year warranty period. Before we can help, you will need to provide proof of purchase with the date of purchase and photos of the defective merchandise. We will use the photos to determine the cause of defect and for future quality control.

## Extendable Steering Rolling Cart with Seat and Planter Basket

PS211



**IMPORTANT!**  
Please read and follow ALL  
instructions before assembling or  
using this product.

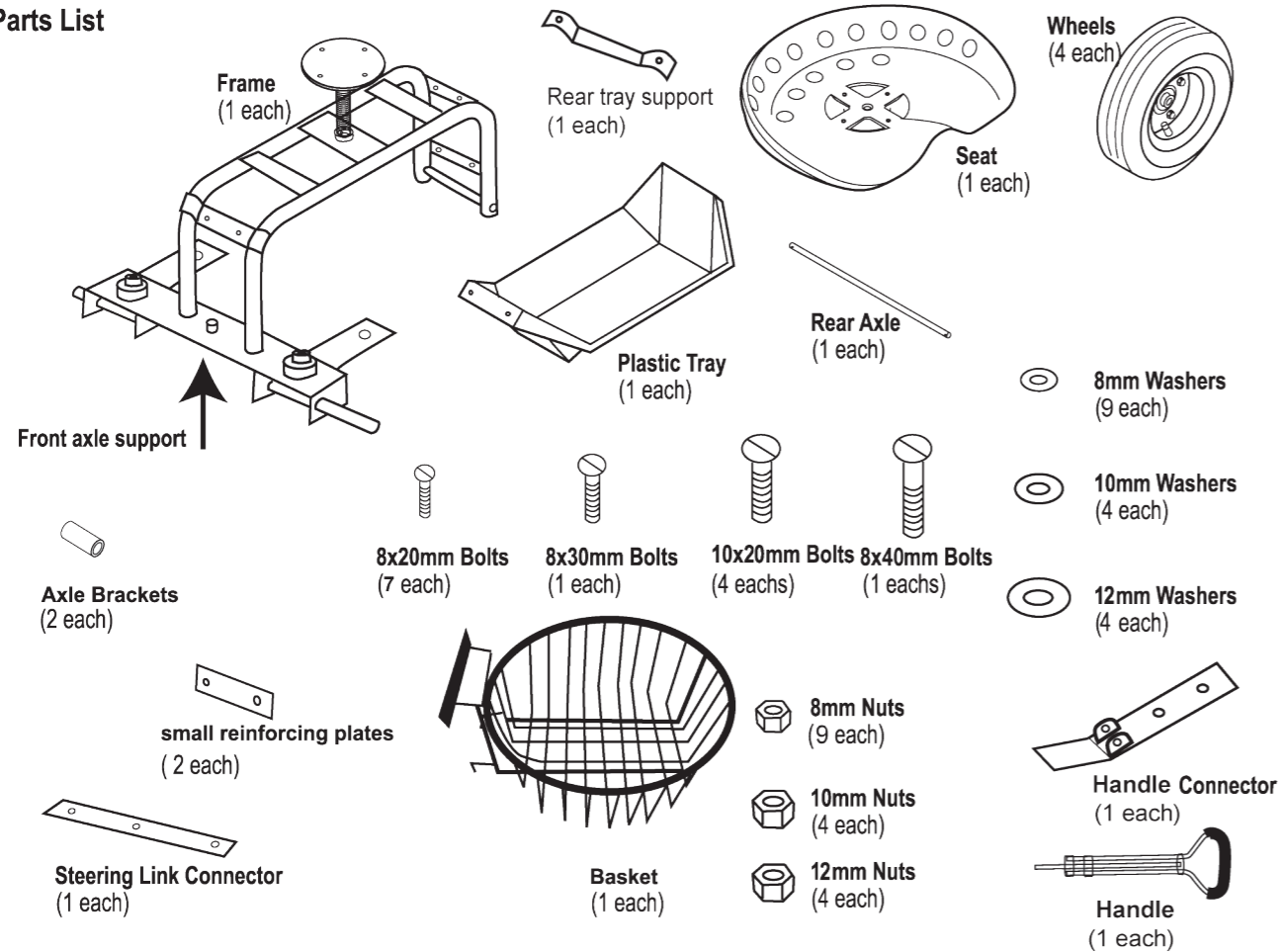
### Owner's Manual

Assembly Instructions  
Parts Identification  
Safety Instructions

# Assembly Instructions

This product requires assembly. Carefully remove all the parts from the box and identify and organize them before proceeding with the assembly. Refer to the Parts List diagram below. You will require two Phillips screwdrivers (#2 and #3) and two adjustable wrenches.

## Parts List



Read these instructions completely before beginning assembly.

### STEP 1

Place the frame as shown in Figure 1. Attach the plastic tray where shown in Figure 1, using the two small reinforcing plates, four 8x20mm bolts, four 8mm washers, and four 8mm nuts. Hang planter basket onto the frame as shown in Figure 1. Place the basket's support plate onto the frames back two hooks. The basket's bottom two support pieces will then push up against the frame without hooking to bottom of frame. These bottom pieces on the basket are to keep the basket level

### STEP 2

Insert the rear axle into the back of the frame. Slide one axle bracket onto each end of the rear axle. Mount one wheel (with the valve stem facing out), then slide another 12 mm washer onto each axle (front and rear). then secure the M12 nut

### STEP 3

Place the steering link connector (nub side up) onto the front axle support assembly. Secure with two 8x20mm bolts, two 8mm washers, and two 8mm nuts.

### STEP 4

Place the handle connector on the front axle support, and fasten with one 8x20mm bolt one 8mm washer and one 8mm nut. Secure the lower part of the handle to the steering link connector using one 8x30mm bolt, one 8mm washer, and one 8mm nut.

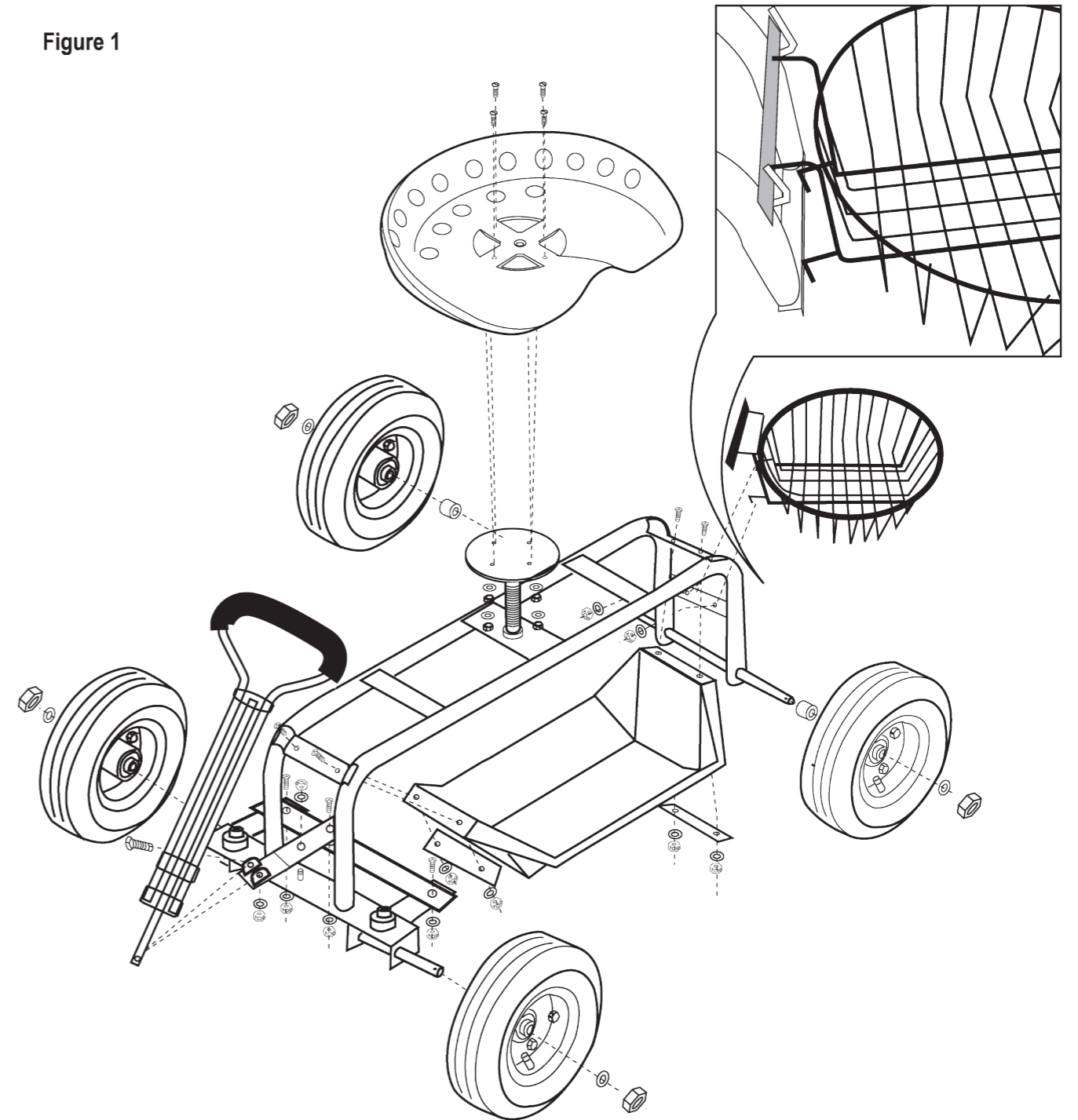
### STEP 5

attach the handle with 8x40mm bolt one 8mm washer and one 8mm nut

### STEP 6

Attach the seat to the seat post (already mounted on the frame) using four M10x20 mm bolts, four 10mm washers, and four 10mm nuts. Rotate the seat to adjust the height of the seat.

Figure 1



## Safety Instructions

**This is not a toy. Not for use by children.**

Maximum load capacity of rolling seat: 300 lb.

Maximum load capacity of plastic tray: 5 lb.

Do NOT overinflate the tires. Maximum pressure is 30 psi.

Do NOT use on inclines; seat may tip.

Do NOT operate if any part is damaged or broken.

Made in China