

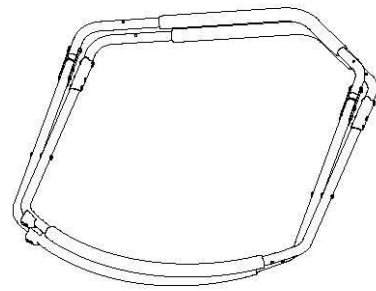
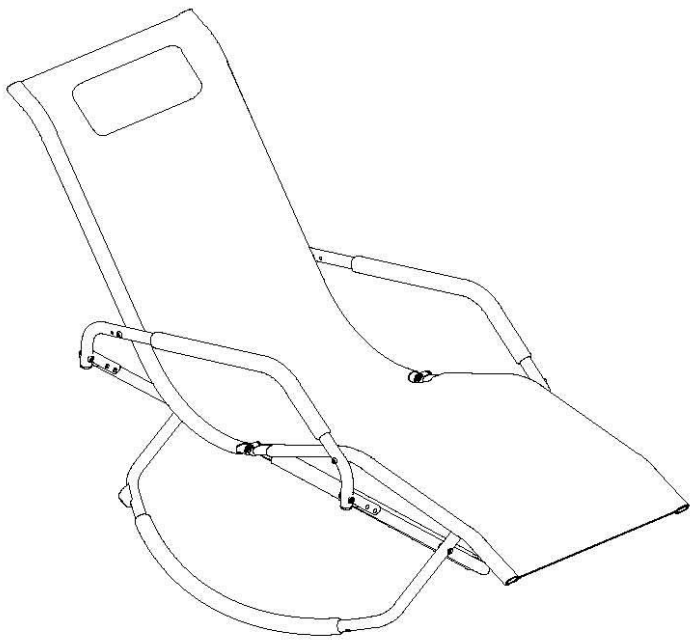


Thank you for choosing Sunnydaze Decor. If you have any questions, comments or concerns, feel free to contact us by phone at **888-881-4668**, by email: **customerservice@serenityhealth.com**, or via our contact us page at **[www.SerenityHealth.com/contact-us](http://www.SerenityHealth.com/contact-us)**.

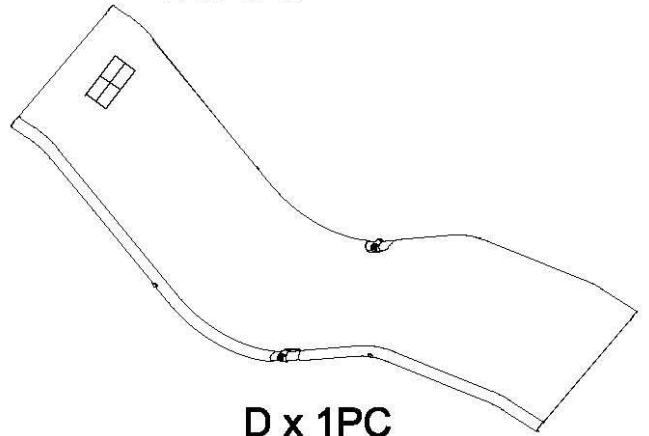
We stand behind our brand and the quality of the items we sell. We will send new parts or replace products at our discretion within the 1-year warranty period. Before we can help, you will need to provide proof of purchase with the date of purchase, and photos of the defective merchandise. We will use the photos to determine the cause of defect and for future quality control.

#### **IMPORTANT & WARNINGS:**

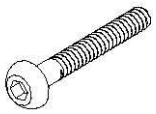
- Remove all parts from packaging carefully.
- This is heavy. When assembling and disassembling we recommend that two or more adults are involved.
- Keep children and pets away when assembling or disassembling.
- This product is only designed to seat one person at any given time. **DO NOT** exceed this as it could damage the product, cause injury, and void your warranty.
- The max recommended weight is 250 lbs.
- Do not climb on the frame.
- Keep all flame and heat sources well away from this product at all times.
- Take care not to trap fingers while assembling and disassembling.
- When not in use store in a cool and dry place away from any heat sources.



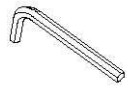
**C x 1PC**



**D x 1PC**



**A x 4PCS**



**B x 1PC**



**E x 1PC**

