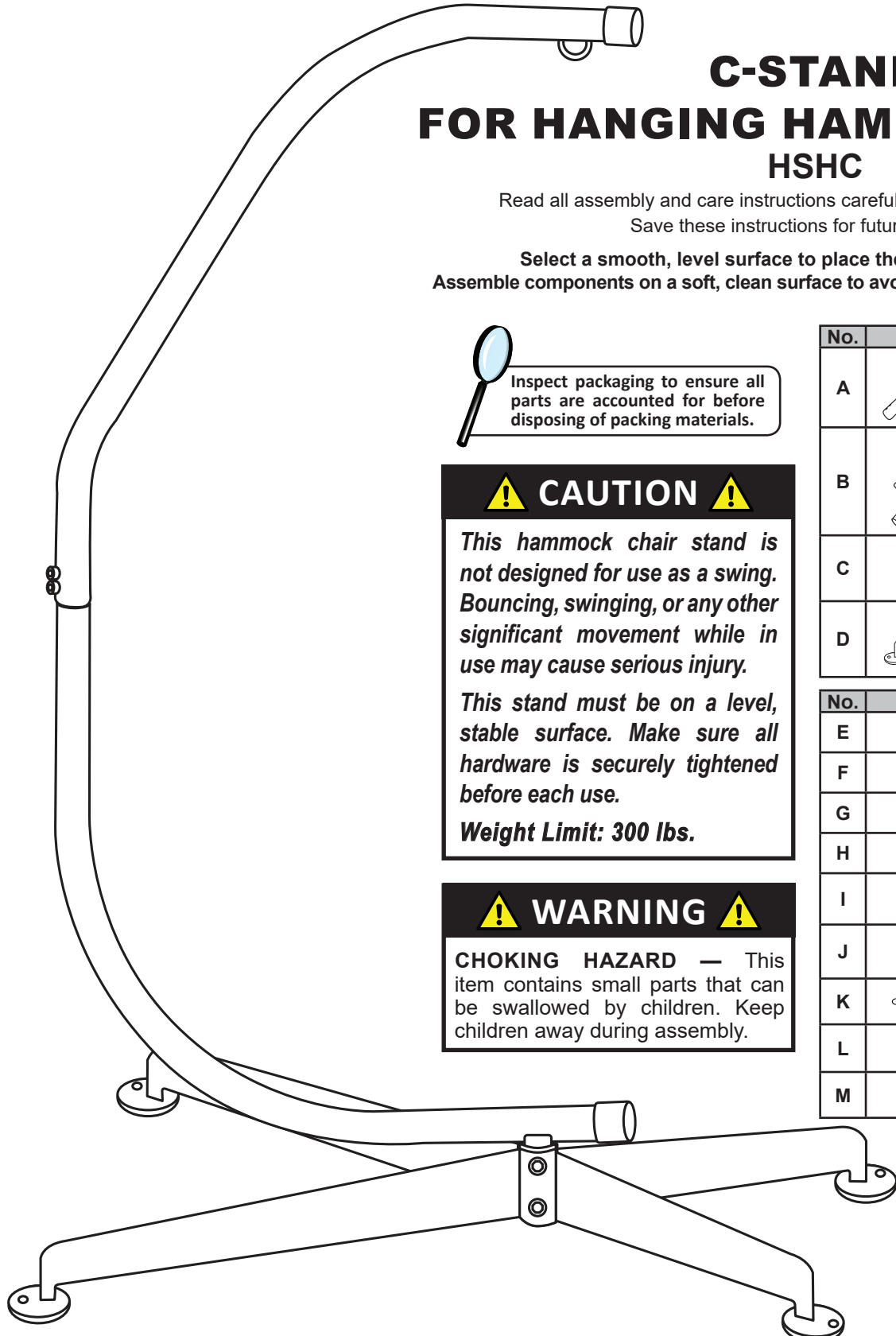


Thank you for choosing Sunnydaze Decor. We stand behind our brand and the quality of the items we sell. Replacement parts or products will be sent at our discretion within the 1-year warranty period. Proof of purchase, with the date of purchase as well as photos of the merchandise defect, must be provided. Photos are used to determine the cause of defects and for future quality control. Register your warranty at <https://tiny.cc/SunnydazeWarranty>. If you have any questions, comments or concerns, feel free to contact us by phone at 833-982-1977, by email: [customerservice@sunnydazedecor.com](mailto:customerservice@sunnydazedecor.com), or via our contact us page at <https://tiny.cc/SunnydazeContact>



# C-STAND FOR HANGING HAMMOCK CHAIR HSHC

Read all assembly and care instructions carefully before using this product.  
Save these instructions for future reference.

Select a smooth, level surface to place the hammock chair stand.  
Assemble components on a soft, clean surface to avoid scratching/damaging the finish.



Inspect packaging to ensure all parts are accounted for before disposing of packing materials.

**⚠ CAUTION ⚠**


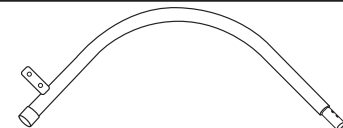
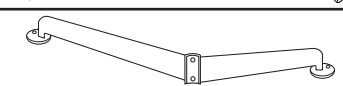
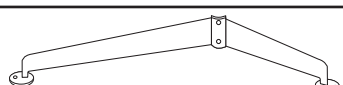
*This hammock chair stand is not designed for use as a swing. Bouncing, swinging, or any other significant movement while in use may cause serious injury.*

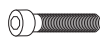






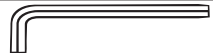

*This stand must be on a level, stable surface. Make sure all hardware is securely tightened before each use.*

**Weight Limit: 300 lbs.**

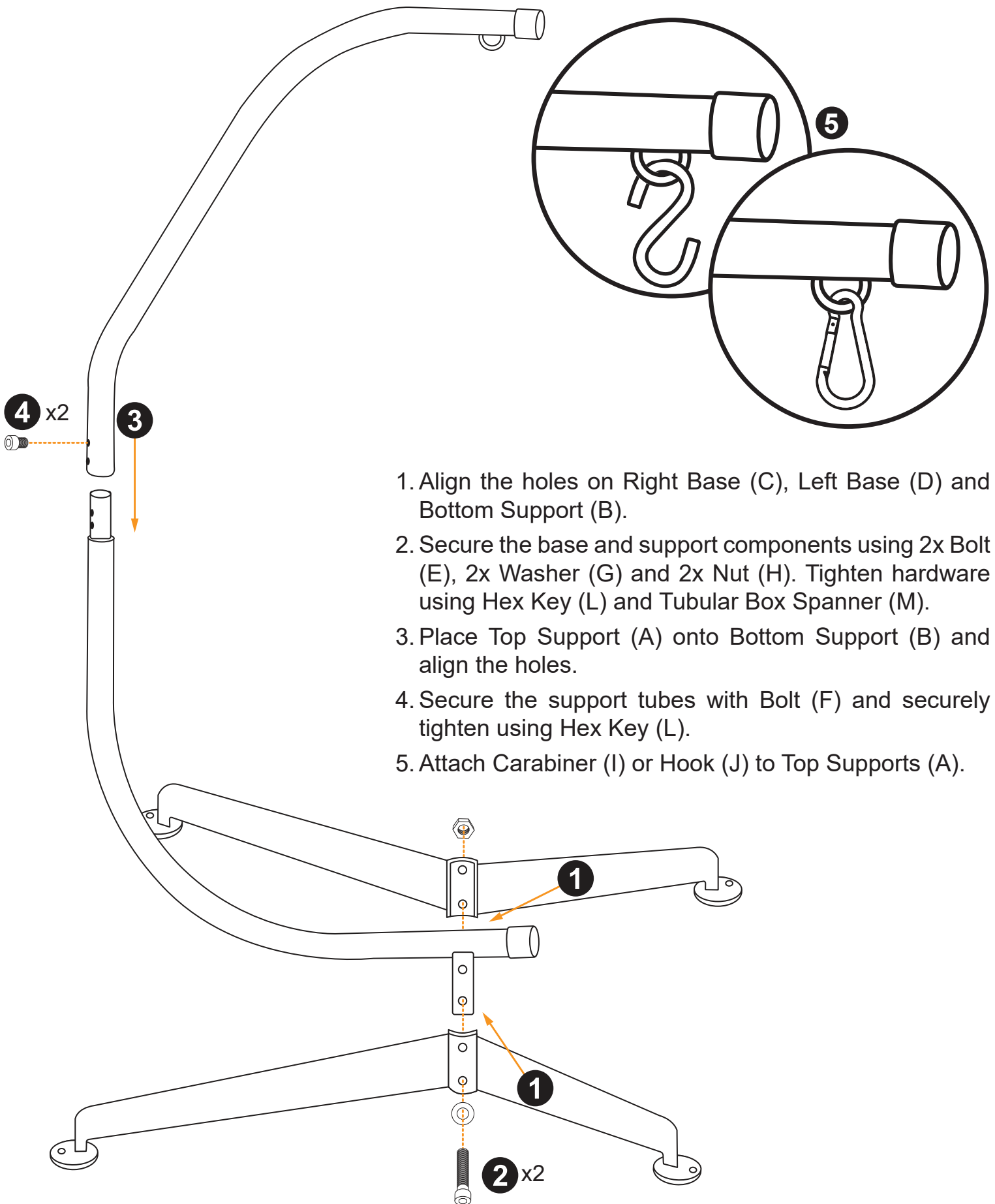
**⚠ WARNING ⚠**

**CHOKING HAZARD** — This item contains small parts that can be swallowed by children. Keep children away during assembly.

No.	FRAME	QTY.
A		1
B		1
C		1
D		1

No.	HARDWARE	QTY.
E		2
F		2
G		2
H		2
I		1
J		1
K		1
L		1
M		1

# ASSEMBLY



1. Align the holes on Right Base (C), Left Base (D) and Bottom Support (B).
2. Secure the base and support components using 2x Bolt (E), 2x Washer (G) and 2x Nut (H). Tighten hardware using Hex Key (L) and Tubular Box Spanner (M).
3. Place Top Support (A) onto Bottom Support (B) and align the holes.
4. Secure the support tubes with Bolt (F) and securely tighten using Hex Key (L).
5. Attach Carabiner (I) or Hook (J) to Top Supports (A).

## **IMPORTANT INFORMATION**

Under normal use, Sunnydaze hammock stands will last for many years. It is important to follow basic care tips to prolong the life of your stand.

### **USE & CARE**

- **SAFE USE:** Do not use this chair for swinging. Swinging, bouncing, jumping and other excessive movement may cause serious injury including, but not limited to, the stand tipping over.
- **CHILDREN:** Supervise children at all times. Do not allow children to play or sleep in hammock chairs when used with this stand (chair not included).
- **STORAGE:** Store the stand indoors when not in use. Cool, dry locations are recommended to prevent damage from exposure to moisture and sunlight.
- **INSPECTION:** Before each use, ensure the stand is assembled correctly and the hardware is securely tightened. Do not use the stand if there are signs of weakness.
- **CLEANING:** Use a soft cloth, warm water and mild detergent to wipe down the stand if necessary. Dry the stand after cleaning to prevent rust.
- **SCRATCHES:** The powder coating on the stands is tough & durable but, even under normal use, some scratching is inevitable. Scratches can be repaired with a rust-resistant paint, see your local hardware store and follow paint application as noted on the container. **NOTE:** damage caused by painting the stand will void the product warranty.

### **TROUBLESHOOTING**

- If the stand is making noise when in use, check all assembly connections to make sure all hardware is fully tightened. Some noise created by the hanging hardware is normal; avoid excessive movement when using this stand as it may cause serious injuries.

**Any modification to the product or failure to follow recommended care will void the product warranty.**

## **WARNING!**

**Manufacturer and seller expressly disclaim any and all liability from personal injury, property damage or loss, whether direct or indirect, or incidental, resulting from the incorrect attachment, improper use, inadequate maintenance, or neglect of this product.**

# General Use & Care Manual: Hammock Hanging Chair

## HAMMOCK CARE

Under normal use, your hammock will last for years. It is important to follow these basic tips to prolong the life of your hammock:

- **LOCATION:** A shady spot is best for hanging your hammock. The less direct sunlight the hammock is exposed to, the longer the life of fabric and ropes will be.
- **STORE IT:** Keep your hammock in a dry, indoor location during bad weather, winter months and when it will not be used for any extended period of time. Limiting your hammock's exposure to the elements will prolong its lifespan. Make sure it is completely dry before storing.
- **PROTECT IT:** Do not allow children or pets to play in the hammock chair. Excessive swinging or rough play may cause injury or wear the hammock out prematurely.

## WOOD FINISH (WHEN APPLICABLE)

Leave everything tied together and work carefully around the rope; do not take the hammock apart as this will void the product warranty.

**Finished spreader bars**, over time, may start to dull and wear off from normal outdoor weathering. To ensure the maximum life of your hammock, refinish the wood once you notice this happening.

**Unfinished spreader bars** may need to be sanded if stains develop. Take care not to overdo it as it will reduce the strength of the spreader bar.

## CLEANING

**✘ DO NOT use bleach or fabric softeners.**

**Spreader bar hammock chairs** can be hand-washed in your bathtub or a kiddie pool with mild detergent and a soft-bristled scrub brush. Try to keep the wooden spreader bars and galvanized O-rings out of the water as much as possible. For heavily soiled fabric and ropes, soaking for about an hour may be required. Rinse and air-dry on a flat surface to prevent the ropes from stretching. If the rope is cotton, it may shrink a little while drying but will stretch back out with use.

**Hammock chairs without spreader bars** can be hand-washed with mild detergent or machine washed, on the gentle/delicate cycle, using a mesh laundry washing bag and mild detergent. Before placing your hammock in the laundry washing bag, tie the ends of the hammock together to prevent tangling. Air-dry only, laying the hammock on a flat surface to prevent the ropes from stretching.

## ABOUT YOUR HAMMOCK CHAIR

Even with normal use, hammock chairs may stretch over time; rope-style hammock chairs will stretch. Misuse of the hammock chair, such as using it like a playground swing or exceeding the weight limit, can cause the ropes to stretch or break and will void the product warranty.

Hanging hardware and/or stand are sold separately.

## ! SAFETY STATEMENTS & WARNINGS !

### Safe Use of Your Hammock

- Before each use, inspect your hammock for wear or weakness.
- Take your time getting into and out of your hammock. Any hammock may tip if your weight isn't centered.
- Excessive swinging and other rough play may result in injuries and may wear out your hammock prematurely.
- Small children should not play unsupervised in your hammock.
- Pets should not be allowed into hammocks as it may result in injuries or damage the product.
- Do not exceed the recommended weight capacity of the hammock.