


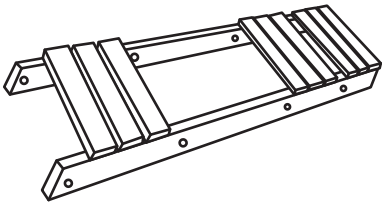
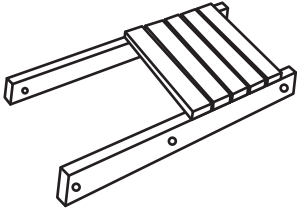
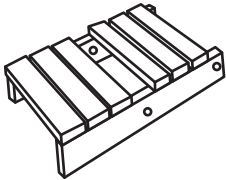
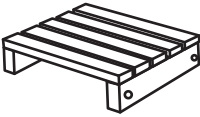

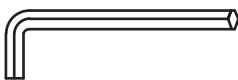


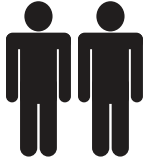
# MULTI-TIER PLANT STAND

## LAM-639

No.	PARTS		QTY.
A		5-Hole Shelf Support	4
B1		3-Hole Shelf Support	2
B2		2-Hole Shelf Support	2
C		Bottom Shelf	1
D		Single Shelf	1
E		Double Shelf	2
F		Top Shelf	2
G		JCBC M6 x 40mm Bolt	30
H		Hex Key	1



Inspect packaging to ensure all parts are accounted for before disposing of packing materials.



2-PERSON  
ASSEMBLY  
RECOMMENDED

### ! HELPFUL HINTS

- Sunnydaze Decor advises reading this manual thoroughly and assembling the item soon after purchase. Check that all parts are accounted for and familiarize yourself with the assembly before beginning.
- Assemble components on a soft, clean surface to avoid damaging the finish.
- Do not fully tighten hardware until all components are assembled. If the hardware is tightened too soon, mounting holes may not align, and parts may not easily fit together.
- This item was treated with teak oil at the factory. Apply a suitable wood oil at least once a year, or when the wood looks particularly dry. Left untreated, the wood will weather to a silvery gray color.
- Save this manual for future reference.

### ! WARNING !

**CHOKING HAZARD** — This item contains small parts that can be swallowed. Keep children away during assembly.

### ! WARNING:

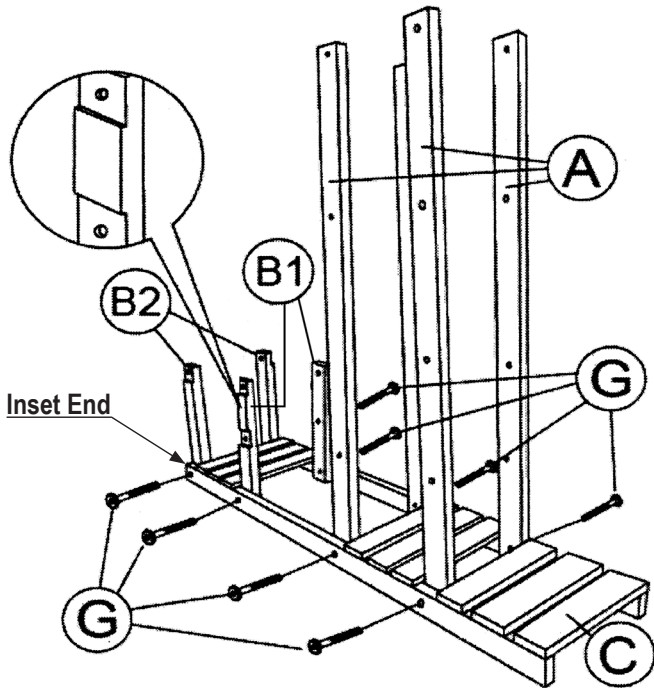
Manufacturer and seller expressly disclaim any and all liability from personal injury, property damage or loss, whether direct or indirect, or incidental, resulting from the incorrect attachment, improper use, inadequate maintenance, or neglect of this product.

# ASSEMBLY

*Read carefully and understand assembly before beginning.*

*Please note: shelf supports install on the inside of all shelves.*

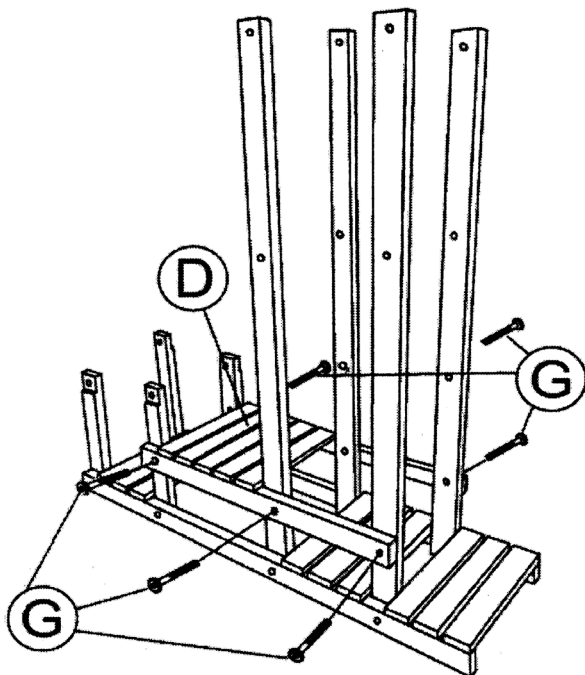
*Do not fully tighten any bolt all until all components have been assembled.*



## **STEP 1**

**A: 4    B1: 2    B2: 2    G: 8**

1. Lay Bottom Shelf (C) on the ground with the slats facing upwards, as shown.
2. Locate the Inset End of Bottom Shelf (C) (see diagram).
3. Connect both 2-Hole Shelf Support (B2) to the inside of the inset ends by hand-tightening 2x JCBC M6 x 40mm Bolt (G).
4. Connect both 3-Hole Shelf Support (B1) to the inside edge of Bottom Shelf (C), as shown, by hand-tightening 2x JCBC M6 x 40mm Bolt (G).
5. Ensuring the closely-spaced holes are at the bottom, connect each 5-Hole Shelf Support (A) to the inside edge of the bottom shelf by hand-tightening 4x JCBC M6 x 40mm Bolt (G).



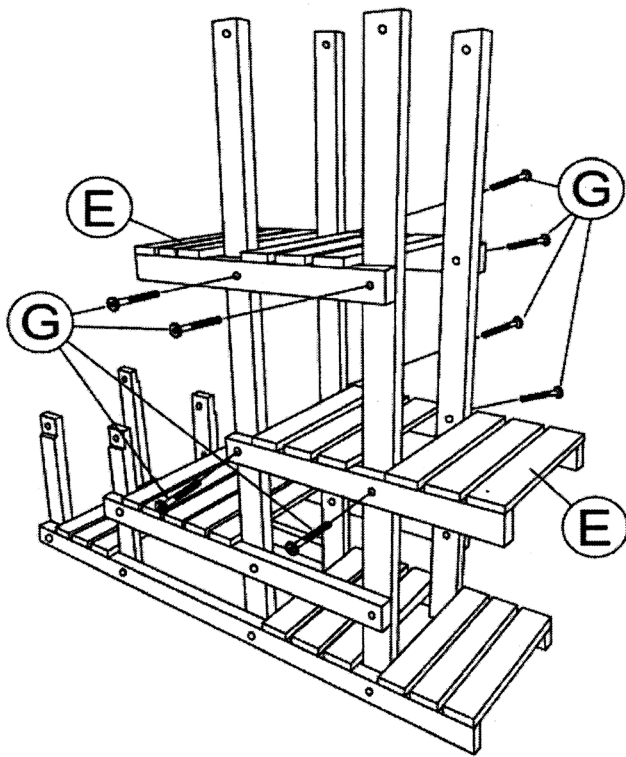
## **STEP 2**

**D: 1    G: 6**

1. Place Single Shelf (D) over the 5-hole and 3-hole shelf supports, as shown.
2. Secure the shelf to the shelf supports by hand-tightening 6x JCBC M6 x 40mm Bolts (G).

## **STEP 3**

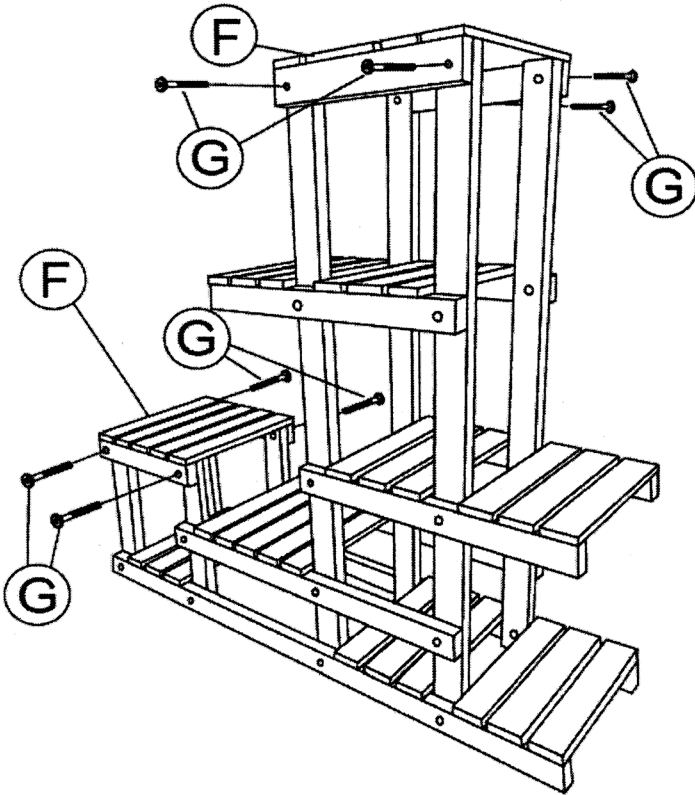
**E: 2    G: 8**



1. With the flat edge facing outward, slide the first Double Shelf (E) over the 5-hole shelf supports and secure by hand-tightening 4x JCBC M6 x 40mm Bolt (G).
2. With the flat edge facing inward, slide the second Double Shelf (E) over the 5-hole shelf supports and secure by hand-tightening 4x JCBC M6 x 40mm Bolt (G).

## **STEP 4**

**F: 2    G: 8**



1. Place the first Top Shelf (F) over the 5-hole shelf supports and secure by hand-tightening 4x JCBC M6 x 40mm Bolt (G).
2. Place the second Top Shelf (F) over the 2-hole and 3-hole shelf supports and secure by hand-tightening 4x JCBC M6 x 40mm Bolt (G).

## **STEP 5** (NOT SHOWN)

**H: 1**

1. Gently tighten all bolts using Hex Key (H).

## **USE & CARE**

**SAFE USE:** Only use on a flat, level surface.

**INSPECT:** Periodically check assembly points and tighten fittings as necessary.

**CLEANING:** Identify the direction of the woodgrain. Following the direction of the woodgrain, wipe surfaces with a soft cloth.

**MAINTENANCE:** This item was treated with teak oil at the factory. Apply a suitable wood oil at least once a year, or when the wood looks particularly dry. Follow application instructions as noted with the suitable wood oil (not included).

**STORAGE:** Protect this item from ice and snow. Store indoors, in a dry location. Covering the unit while in storage will help prevent dust buildup.

**Any modification to the product or failure to follow recommended care will void the product warranty.**