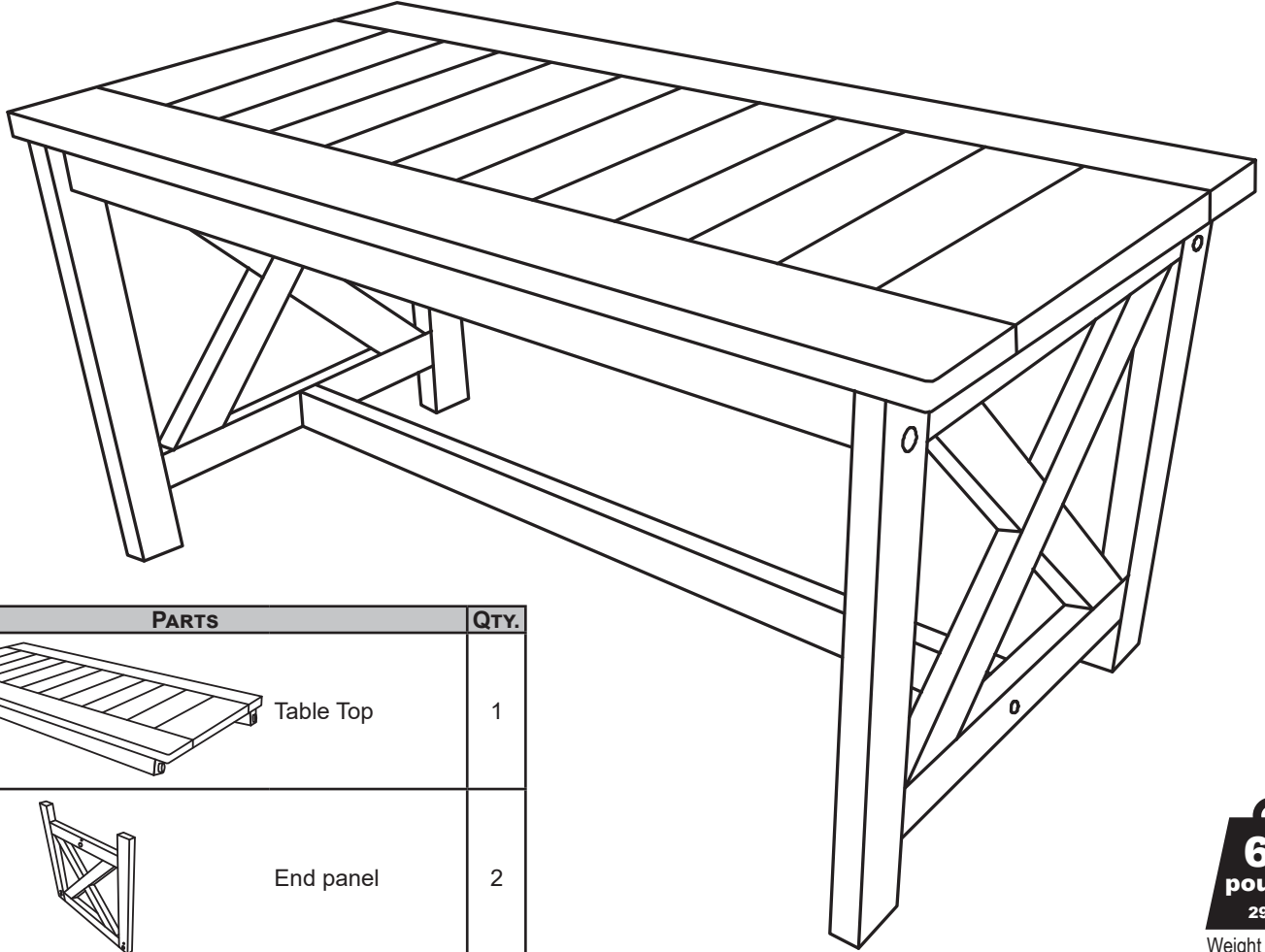


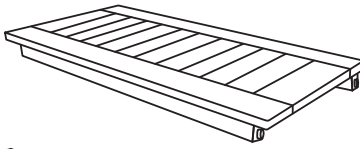
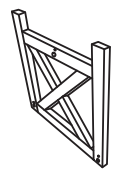


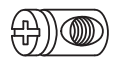

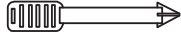
OUTDOOR COFFEE TABLE

LAM-585

Review all assembly and care instructions carefully before using this product. Save this manual for future reference.
Assemble components on a soft, clean surface to avoid damaging the finish.



65 pounds
29 kg
Weight Capacity

No.	PARTS	QTY.
A	 Table Top	1
B	 End panel	2
C	 Support Beam	1
D	 JCBC 60mm Bolt	6
E	 Barrel Nut	6
F	 Hex Key	1
G	 Barrel Nut Driver	1



Inspect packaging to ensure all parts are accounted for before disposing of packing materials.
 Save the packing slip.

NOTE: Over time and with use, the bolts may become loose. Save the included tools for tightening loosened hardware.

⚠ WARNING ⚠

CHOKING HAZARD — This item contains small parts that can be swallowed. Keep children and pets away during assembly.

ⓘ HELPFUL HINT

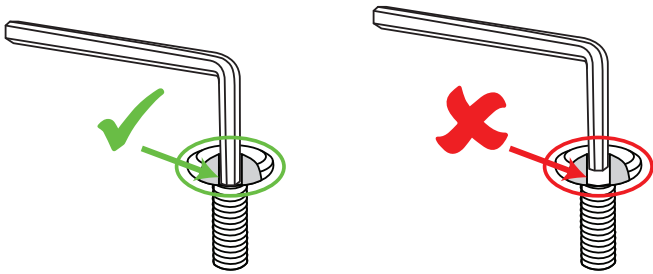
This item was treated with teak oil at the factory. Apply a suitable wood oil at least once a year, or when the wood looks particularly dry. Left untreated, the wood will weather to a silvery gray color.

ASSEMBLY

Review all steps and understand assembly before beginning.

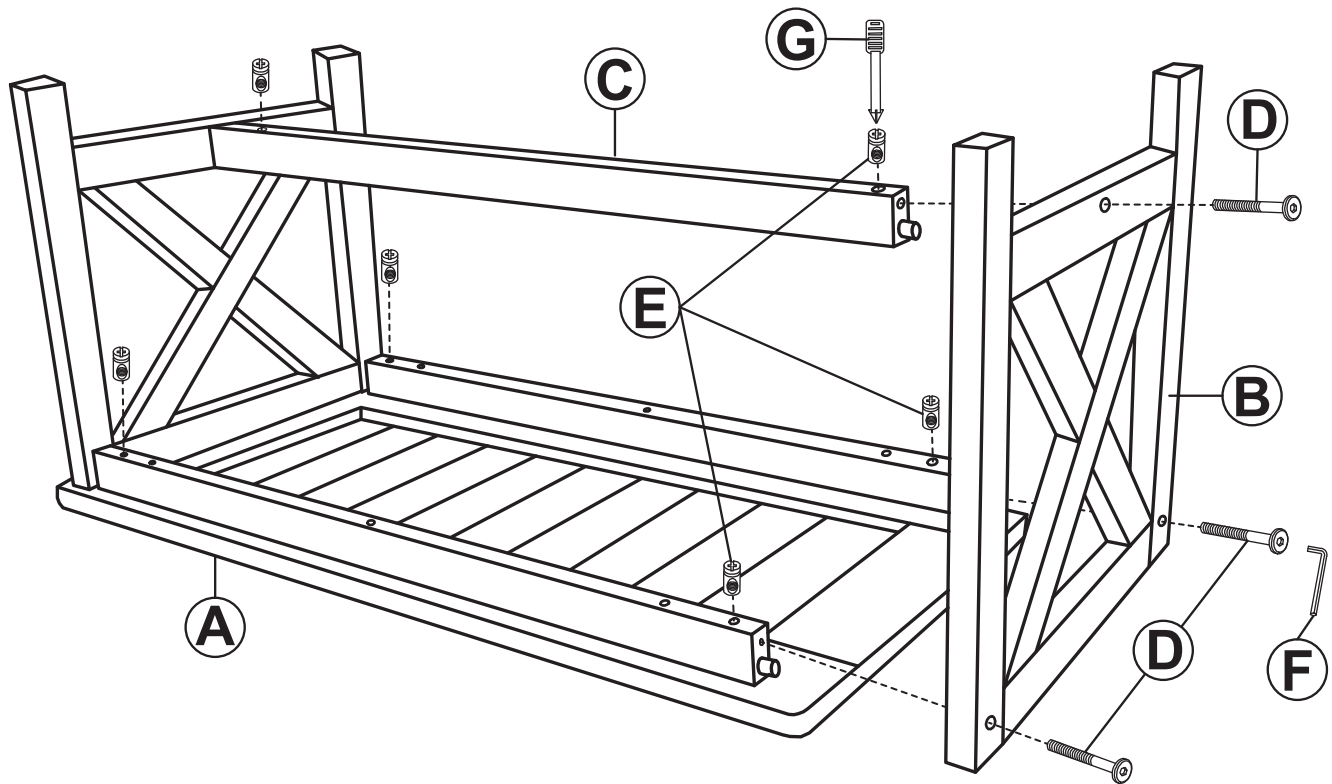
Do not fully tighten hardware until all components have been loosely assembled.

If fittings are tightened too soon, mounting holes may not align, and parts may not easily fit together.



Tip: Always fully insert the hex key inside the designated notch of the bolt.

If the hex key is not fully inside the notch, the hex key could slip out, causing damage to the bolt head. Repeated hex key slipping will cause the notch to become rounded, making it difficult or impossible to tighten the bolt with the hex key.



1. Lay Table Top (A) face-down on a soft, clean surface.
2. With the slotted ends of the barrel nut facing upwards, place four Barrel Nuts (E) into the underside of the table top. Use Barrel Nut Driver (G) to turn the barrel nut so the threaded hole aligns with the pre-drilled mounting hole.
3. Align one Leg Panel (B) with the table top and loosely secure by hand-tightening two JCBC 60mm Bolts (D). Repeat this step on the opposite side of the table.
4. Align Support Beam (C) with the bottoms of the leg panels, as shown.
5. Insert two Barrel Nuts (E) into Support Beam (C) and secure using two JCBC 60mm Bolts (D).
6. Gently tighten all bolts using Hex Key (F).

General Use & Care

SAFE USE: For residential use only. Only use on a flat, level surface. Never sit or stand on any part of this unit.

INSPECT: Periodically check hardware and tighten as necessary.

EXPOSURE: Over time, sunlight and weather elements may change the color of natural wood. Avoid leaving wooden furniture in the rain or high-humidity climates as wood can expand and contract with humidity changes; you may need to tighten fittings periodically. If this item is not used for extended periods, we recommend covering or storing it indoors.

MAINTENANCE: This item was treated with teak oil at the factory. To maintain the appearance, apply a suitable penetrating Wood, Teak or Linseed Oil (not included) yearly, or when the wood looks particularly dry. Clean the unit and bring it into a warm, indoor location. Allow the unit to thoroughly dry before applying oil; drying may take several days. Only apply oil to wooden surfaces. Use a soft cloth or soft brush and carefully apply oil as directed by the wood oil manufacturer.

WINTER CARE & STORAGE: Cover and store furniture indoors during the winter to protect it from ice and snow. Doing so will preserve the appearance and integrity of the unit.

WARNING: THE ONE-YEAR WARRANTY DOES NOT COVER DAMAGES OR DEFECTS CAUSED BY THE APPLICATION OF CHEMICAL TREATMENTS, PROTECTIVE COATINGS, TOUCH-UP PAINT, OR CLEANING PRODUCTS.

Cleaning

Do not use harsh chemicals or abrasive materials to clean the furniture.



HAND-WASH ONLY



DO NOT USE BLEACH



DO NOT USE A PRESSURE WASHER

Identify the direction of the woodgrain. Following the direction of the woodgrain, use a soft cloth or a soft-bristled brush, like a paintbrush, to remove loose dust, dirt and debris.

! SAFETY STATEMENTS & WARNINGS !

- Do not sit or stand on any part of this unit.
- Do not exceed the weight capacity of the unit.
- Do not put hot items on or near furniture.
- Keep furniture a safe distance from heat sources such as fire pits, patio heaters, and grills.
- Do not use harsh chemicals or abrasive materials to clean this unit.
- This product is for residential use only; institutional or commercial use will automatically void the product warranty.

Any modification to the product or failure to follow recommended care will void the product warranty.

If you experience issues with assembly or the product was damaged during shipping, please contact our customer service team through one of the methods mentioned at the top of page 1.

Please have the item number and order information ready to expedite response time.

! WARNING:

Manufacturer and seller expressly disclaim any and all liability from personal injury, property damage or loss, whether direct or indirect, or incidental, resulting from the incorrect attachment, improper use, inadequate maintenance, or neglect of this product.