

LIMITED WARRANTY

This product is guaranteed for a period of 12 months from date of purchase for material or manufacturing defects certificate of guarantee must be filled out completely by resale dealer and must accompany equipment along with the receipt, in case it is submitted for repair. Guarantee consists in guaranteed substitution of defective parts. Guarantee is considered void in case of improper use, nor does it answer to damages caused by improper handling or negligence on the part of the buyer. All equipment must be sent postage paid.

DISTEIBUTED BY:

Manufactured by Xiamen Jier Electrical Appliances Co., Ltd.
Tel: +86-592-7175385,7175386
Fax: +86-592-7175387
Email: sales@jierpump.com

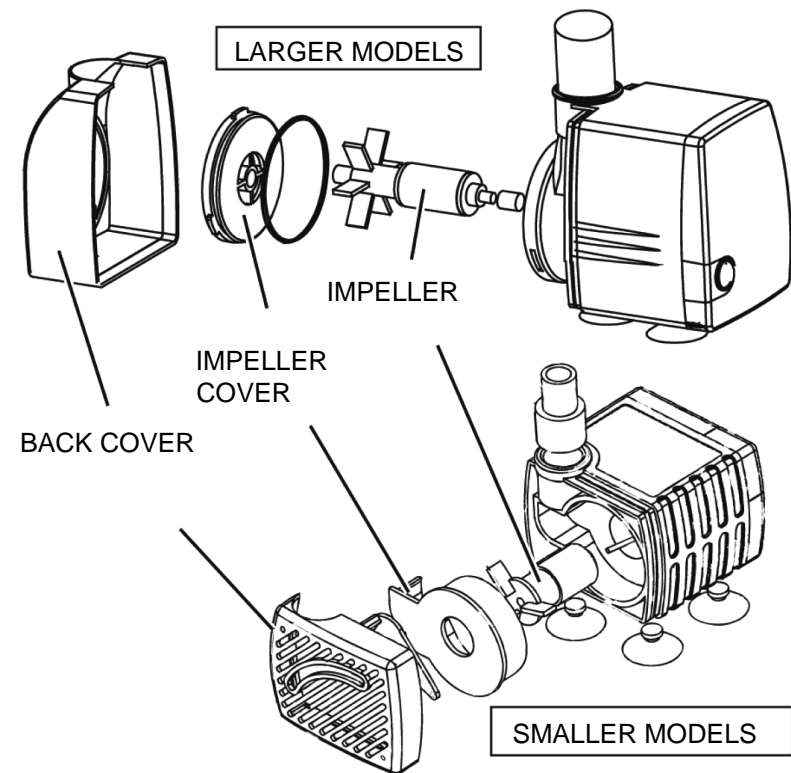
Website: www.jierpump.com

Jier
Submersible PUMP

OWNER'S MANUAL

INTRODUCTION

Jier pumps are carefully inspected and tested to insure both safety and operating performance; however, failure to follow the instructions and warnings in this manual may result in pump damage and/or serious injury. Be sure to read and save this manual for future reference



WARNING

- Ensure that the electrical cord loops below the electrical outlet to form a “Drip Loop” This will prevent water from running down the cord into the electrical outlet.
- Risk of electric shock- This pump is supplied with grounding conductor and grounding-type attachment plug. To reduce the risk of electric shock, be certain that it is connected only to properly grounding-type receptacle.
- Do not remove the grounding pin from the plug.
- Do not connect to any voltage other than that shown on the pump.
- Do not pump flammable liquids.
- The National Electric Code requires that a ground fault circuit interrupter (GFCI) be used in the branch circuit supplying fountain pumps and other pond equipment. See your electrical supplies dealer for this device.
- To reduce the risk of electrical shock, use only on portable self-contained fountains no larger than 5 feet in any dimension.
- Do not use with water above 35°C (95°F).
- The pump is to be supplied through a residual current device(RCD) with a rated residual operating current not exceeding 30mA

CAUTION

- Always disconnect from electrical outlet before handling the pump.
- Don't operate without water.
- Do not lift the pump by the power cord.
- For liquids having a temperature not exceeding 35°C (95° F).
- Operate in freshwater only.
- Operate pump completely submerged for proper cooling.
- Not for swimming pool.
- This pump has been evaluated for use with water only.

PERFORMANCE

A clogged or dirty intake screen will greatly reduce performance.

If the pump is used on a dirty surface, raise it slightly to reduce the amount of debris contacting the intake. If slower flow is desired, adjust the flow control lever on the side of the pump or restrict the discharge flow.

Do not let the pump run when not submerged in water. Doing so may damage the pump. Always submerge the pump in the water before plugging in the electrical outlet. It is common for air to be in the pump and tube when first plugged in. Continue to unplug the electrical cord and then plug it back in until water begins to flow.

This pump is only to be used in an outlet with a ground fault circuit interrupter (GFCI) or residual current device (RCD) with a rated residual operating current not exceeding 30 mA.

NOTE: Ensure that the electrical cord loops below the electrical outlet to form a “Drip Loop” This will prevent water from running down the cord into the electrical outlet.

MAINTENANCE

NOTE: Always disconnect from electrical outlet before handling the pump.

To clean the pump, remove the back cover and the impeller.

Use a small brush or stream of water to remove any debris

IF THE PUMP FAILS TO OPERATE, CHECK THE FOLLOWING:

- Check the circuit breaker and try another outlet to ensure the pump is getting electrical power.
- Check the pump discharge and tubing for kinks and obstructions. Algae build up can be flushed out with a garden hose.
- Check the inlet to ensure it is not clogged with debris.
- Remove the pump inlet to access the impeller area. Turn the rotor to ensure it is not broken or jammed.
- Monthly maintenance will add to your pump's life.