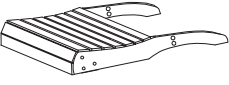

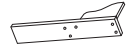
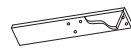









CLASSIC WOODEN ADIRONDACK CHAIR

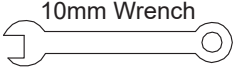
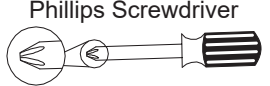
Read this manual carefully before assembly and keep it for future reference.

IMPORTANT:

- Make sure all parts and hardware are present before assembly.
- Assemble the Adirondack chair on a non-marring surface.
- Do not completely tighten the hardware until the Adirondack chair is fully assembled.

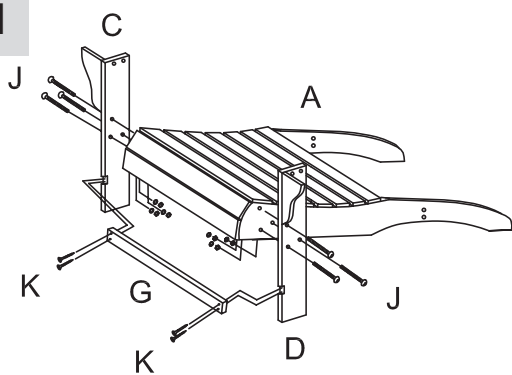
No.	COMPONENT	QTY.
A	 Seat Panel	1
B	 Back Panel	1
C	 Right Leg	1
D	 Left Leg	1

No.	COMPONENT	QTY.
E	 Right Arm	1
F	 Left Arm	1
G	 Front Support	1
H	 Back Support	2
I	 75mm	2
J	 50mm	14
K	 Screws	10

TOOLS REQUIRED (NOT INCLUDED)
 10mm Wrench
 Phillips Screwdriver

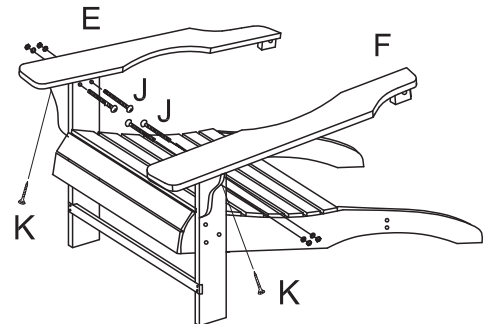
ASSEMBLY Keep all nuts and bolts loose during assembly.

Step 1



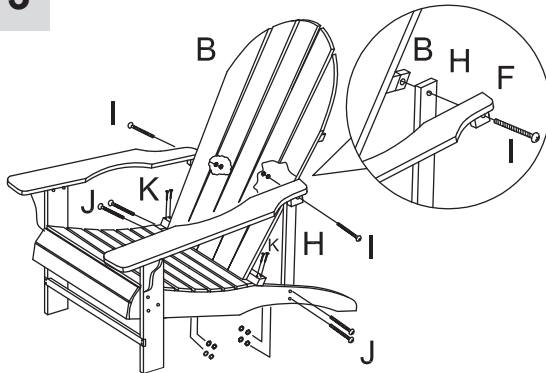
- A: 1
- C: 1
- D: 1
- G: 1
- J: 6
- K: 4

Step 2



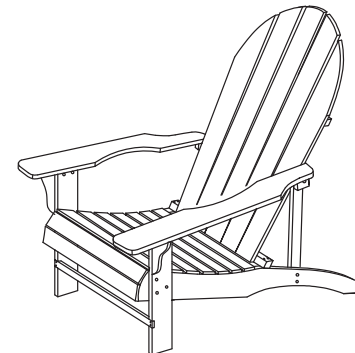
- E: 1
- F: 1
- J: 4
- K: 2

Step 3



- B: 1
- H: 2
- I: 2
- J: 4
- K: 4

Step 4



Tighten all nuts and bolts; do not over-tighten as it may damage the finish and crack the wood.

USE & CARE

- To clean, wipe down with a damp cloth. Do not power-wash, use harsh chemicals or abrasive materials as it may damage the finish.
- Cover when not in use or store indoors.

Any modification or failure to follow the recommended care will void the product warranty.