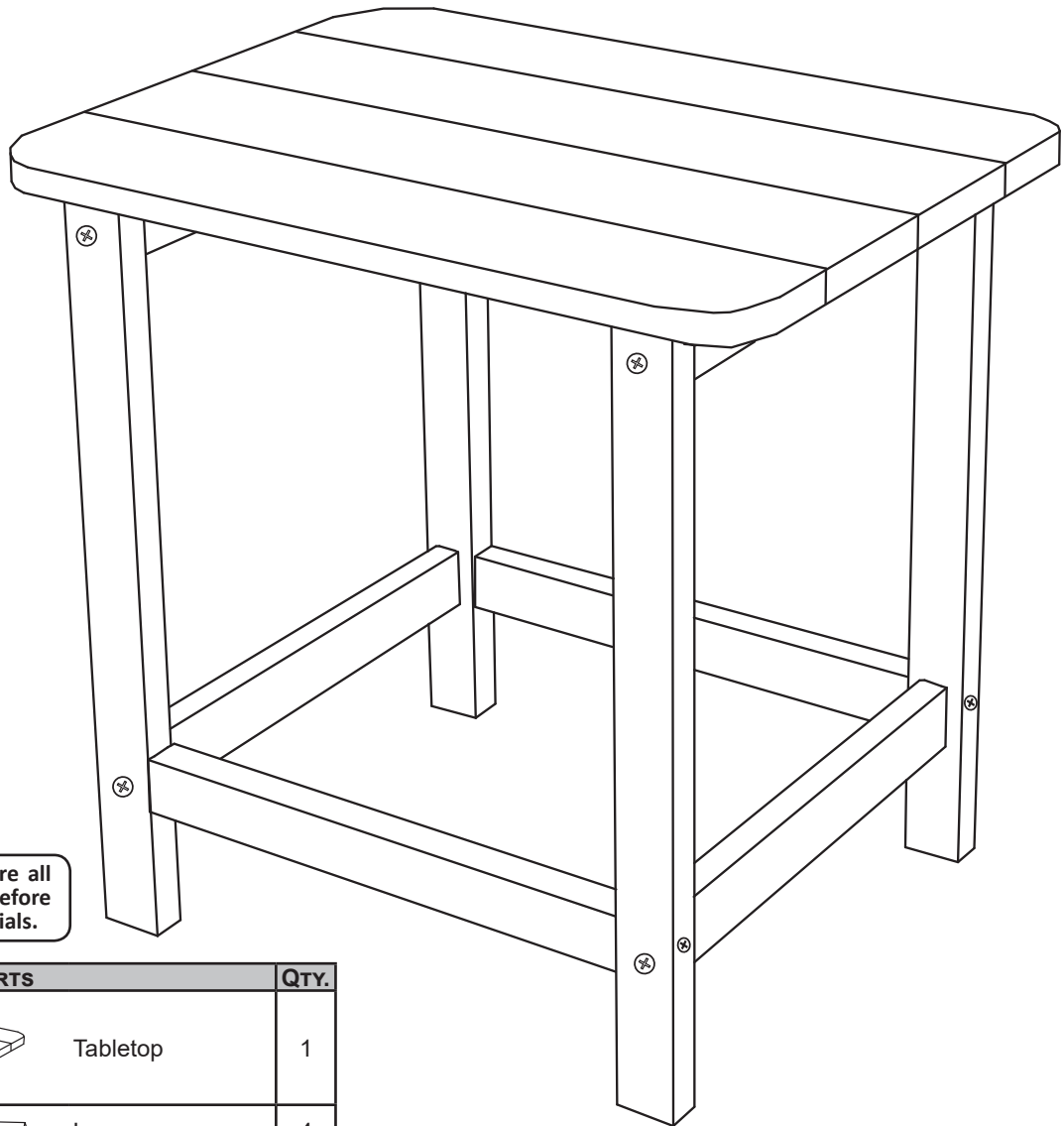
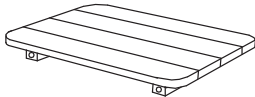







# ALL-WEATHER SIDE TABLE

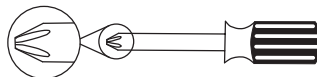
Read all assembly and care instructions carefully before using this product. Save this manual for future reference.  
**Assemble components on a soft, clean surface to avoid scratching or damaging the finish.**



Inspect packaging to ensure all parts are accounted for before disposing of packing materials.

No.	PARTS		QTY.
A		Tabletop	1
B		Leg	4
C		Short Support	2
D		Long Support	2
E		6x60mm Bolt	4
F		5x60mm Screw	8

### TOOLS REQUIRED (not included)



Phillips Screwdriver

### WARNING

**CHOKING HAZARD** — This item contains small parts that can be swallowed by children. Keep children away during assembly.

### HELPFUL HINT

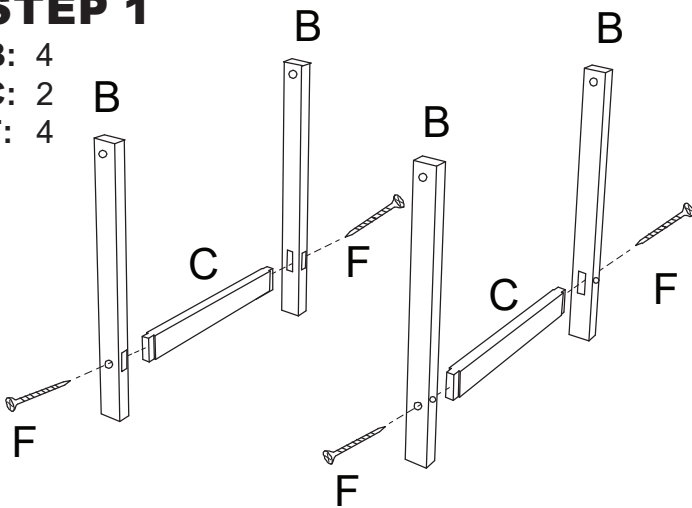
Do not fully tighten hardware until all components are assembled. If hardware is tightened too soon, mounting holes may not align, and parts may not easily fit together.

# ASSEMBLY

*Read carefully and understand assembly before beginning.  
Do not fully tighten hardware until all components have been assembled.*

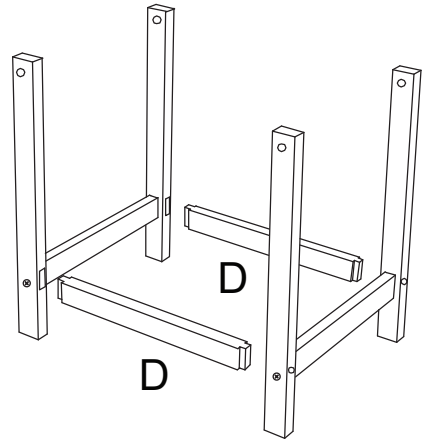
## STEP 1

B: 4  
C: 2  
F: 4



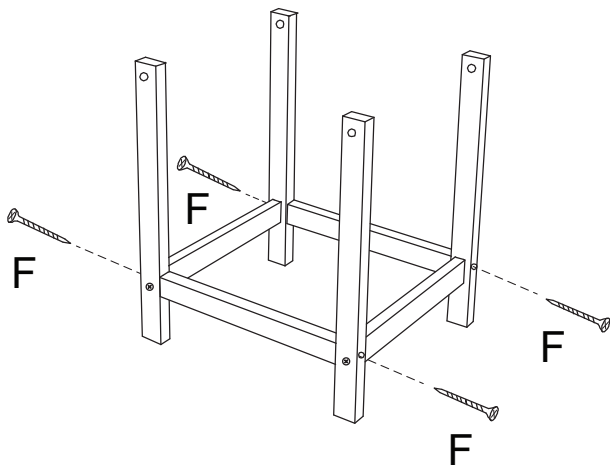
## STEP 2

D: 2



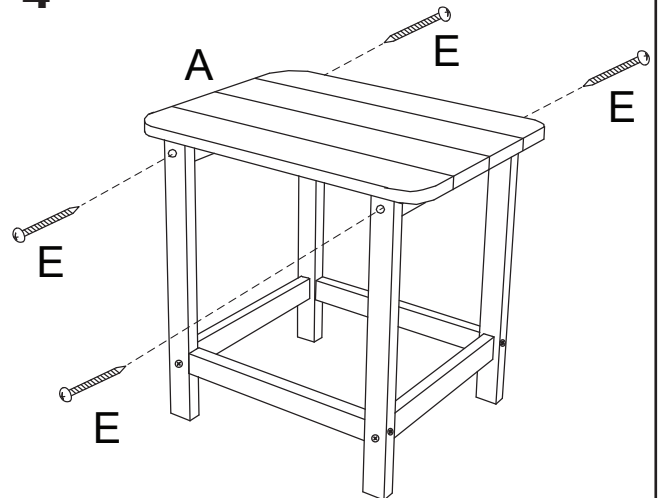
## STEP 3

F: 4



## STEP 4

A: 1  
E: 4



Tighten all hardware; do not over-tighten.

## CARE & MAINTENANCE

**SAFE USE:** For residential use only. Only use on a flat, level surface. Do not sit or stand on the table.

**INSPECT:** Periodically check hardware and tighten as necessary.

**CLEAN:** Wipe surfaces with mild soap, water and a soft, non-abrasive cloth. Rinse with clean water, ensuring all soap residue has been removed.

**WINTER CARE & STORAGE:** Move to an indoor location that is cool and dry. Cover while in storage to help prevent dust build-up.

Any modification to the product or failure to follow recommended care will void the product warranty.

## WARNING:

Manufacturer and seller expressly disclaim any and all liability from personal injury, property damage or loss, whether direct or indirect, or incidental, resulting from the incorrect attachment, improper use, inadequate maintenance, or neglect of this product.