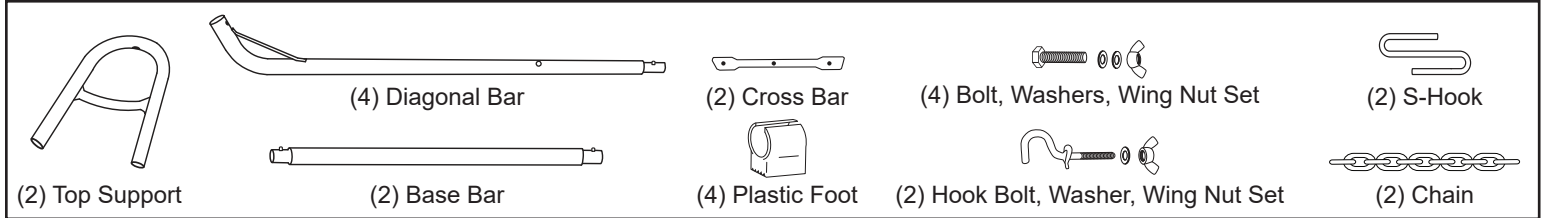



UNIVERSAL MULTI-USE HAMMOCK STAND HH-MHS

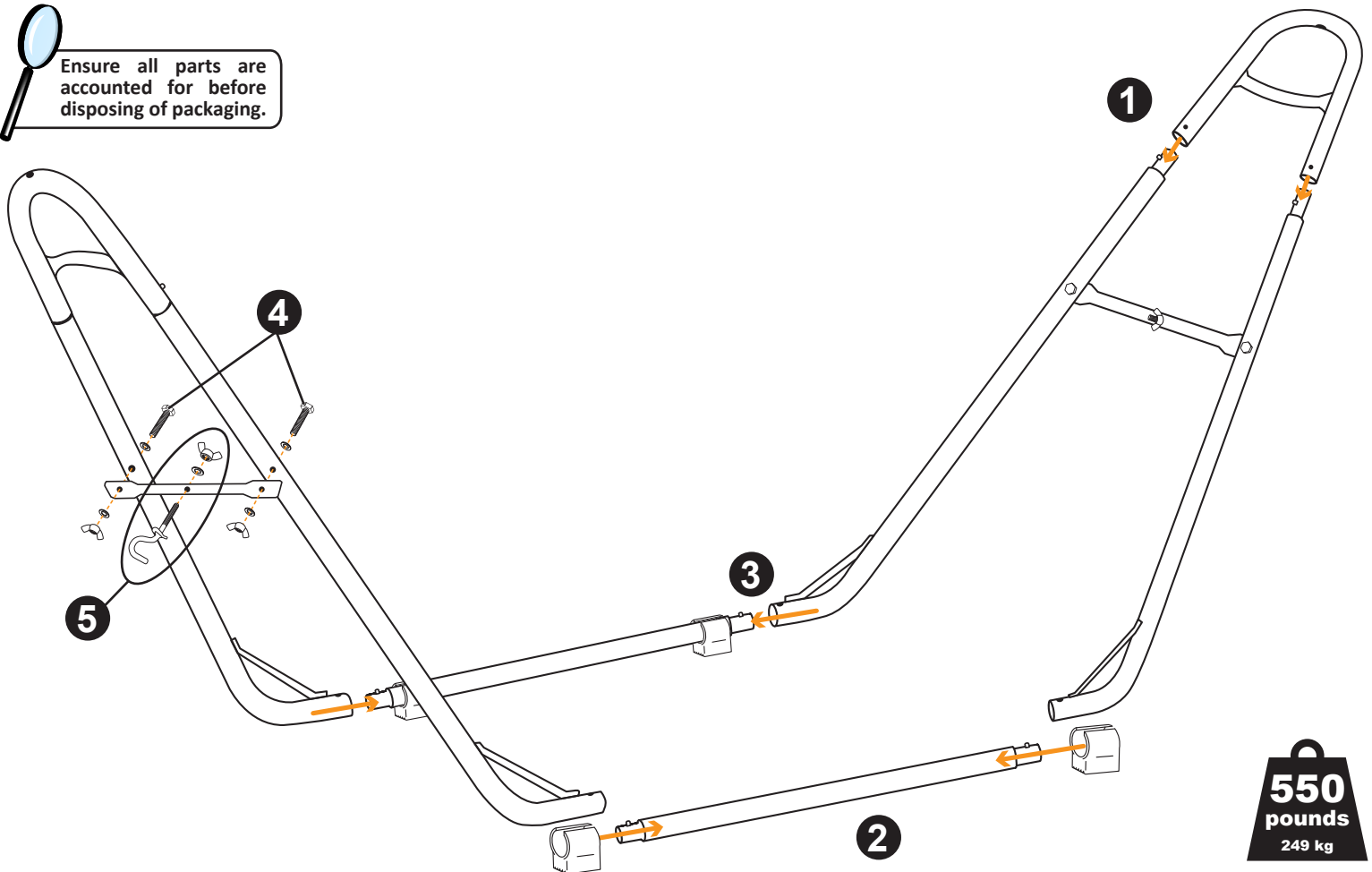
Read all assembly and care instructions carefully before using this product. Save these instructions for future reference.

Select a smooth, level surface to place the hammock stand.

Assemble components on a soft, clean surface to avoid scratching/damaging the finish.



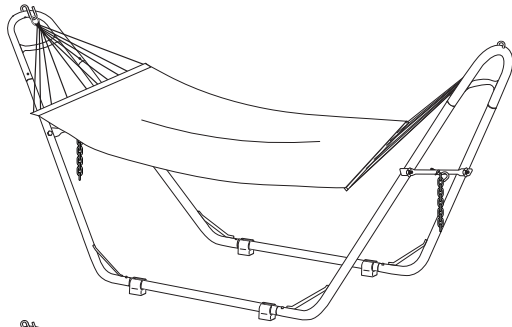
 Ensure all parts are accounted for before disposing of packaging.



ASSEMBLY After completing each step, repeat the step for the opposite side of the hammock stand.

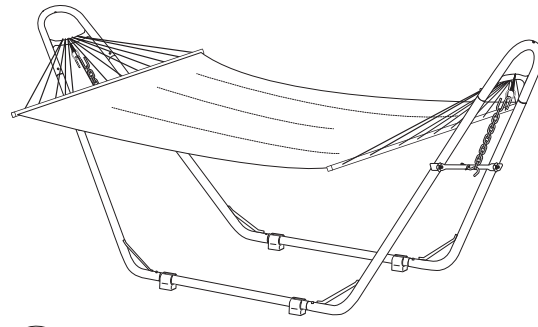
1. Connect the Top Support to the Diagonal Bars, as shown.
2. Slide two Plastic Feet onto the Base Bar.
3. Connect the Base Bars to the Diagonal Bars.
4. Connect the Cross Bar to the Diagonal Bars using the Bolt, Washer and Wing Nut Sets, as shown.
5. Attach the Hook Bolt to the center of the Cross Bar, as shown.

HANGING YOUR HAMMOCK



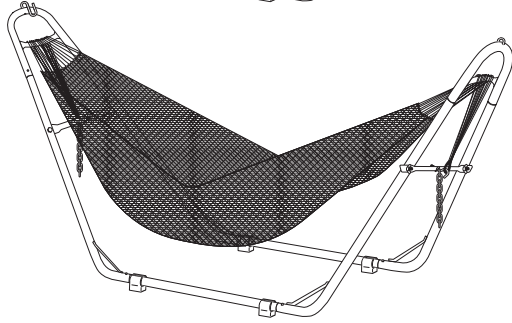
SHORT

Hang shorter hammocks on the top supports using the S-hooks.



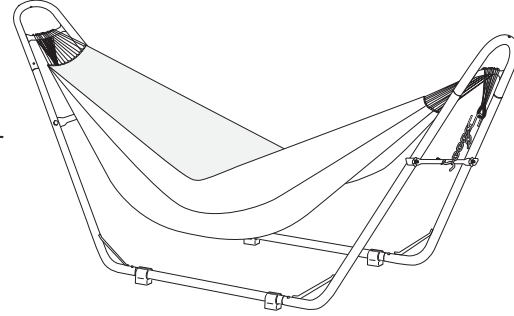
STANDARD

Hang standard-sized hammocks over the cross bars. Use the S-hook and chain to adjust the height as needed.



LONG

Drape the ropes of long hammocks over the cross bars and secure the ends to the hook bolts.



BRAZILIAN

Hang Brazilian hammocks over the cross bars. Use the S-hook and chain to adjust the height as needed.

⚠ IMPORTANT INFORMATION ⚠

Under normal use, Sunnydaze hammock stands will last for years. It is important to follow basic care tips to prolong the life of your stand.

USE & CARE

- **SAFE USE:** Swinging, bouncing, jumping and other excessive movement may cause serious injury including, but not limited to, the stand tipping over.
- **CHILDREN:** Supervise children at all times. Do not allow children to play or sleep in hammocks when used with this stand.
- **STORAGE:** Store the stand indoors when not in use. Cool, dry locations are recommended to prevent damage that may result from exposure to moisture.
- **INSPECTION:** Ensure the stand is assembled correctly and the hardware is securely tightened before each use.
- **CLEANING:** Use a soft cloth and warm water to wipe down the stand, if necessary. Dry the stand after cleaning to prevent rust.
- **SCRATCHES:** The powder coating on the stand is tough and durable but, even under normal use, some scratching is inevitable. To avoid excessive rust, wipe scratched areas as needed to remove moisture.

TROUBLESHOOTING

- If the stand seems unstable, make sure it is on a level surface and the feet are correctly distributed as shown in the assembly instructions. Also make sure that the components are assembled correctly and the hardware is securely tightened.

Any modification or failure to follow the recommended care will void the product warranty.

⚠ WARNING:

Manufacturer and seller expressly disclaim any and all liability from personal injury, property damage or loss, whether direct or indirect, or incidental, resulting from the incorrect attachment, improper use, inadequate maintenance, or neglect of this product.