



Purchase Date: ___/___/___ Order/Customer Reference Number: _____

Thank you for choosing Sunnydaze Decor. We stand behind our brand and the quality of the items we sell. Replacement parts or products will be sent at our discretion within the 1-year warranty period. Proof of purchase, with the date of purchase as well as photos of the merchandise defect, must be provided. Photos are used to determine the cause of defects and for future quality control. Register your warranty at www.serenityhealth.com/warranty/

If you have any questions, comments or concerns, feel free to contact us by phone at 888-881-4668, by email: customerservice@serenityhealth.com, or via our contact us page at www.SerenityHealth.com/contact-us/

SLATE WATER FOUNTAIN WITH CLOCK AND LED LIGHT

GS1-842

Read the assembly instructions carefully and follow the care instructions. Save these instructions for future reference.

Select a smooth, level surface to place the fountain.

Assemble components on a soft, clean surface to avoid scratching or damaging the finish.



Inspect packaging to ensure all parts are accounted for before disposing of packing materials.

No.	PARTS	QTY.
A	Basin	1
B	Electric Submersible Pump	1
C	Spotlight with AC Adapter	1
D	Front Plate	1
E	Washer	2
F	Bolt	2
G	Fountain Body	1
H	L-Shaped Cover	1
I	Washer	1
J	Bolt	1
K	Copper Tube	3
L	Clock	1
M	Decorative Stones	1 PK

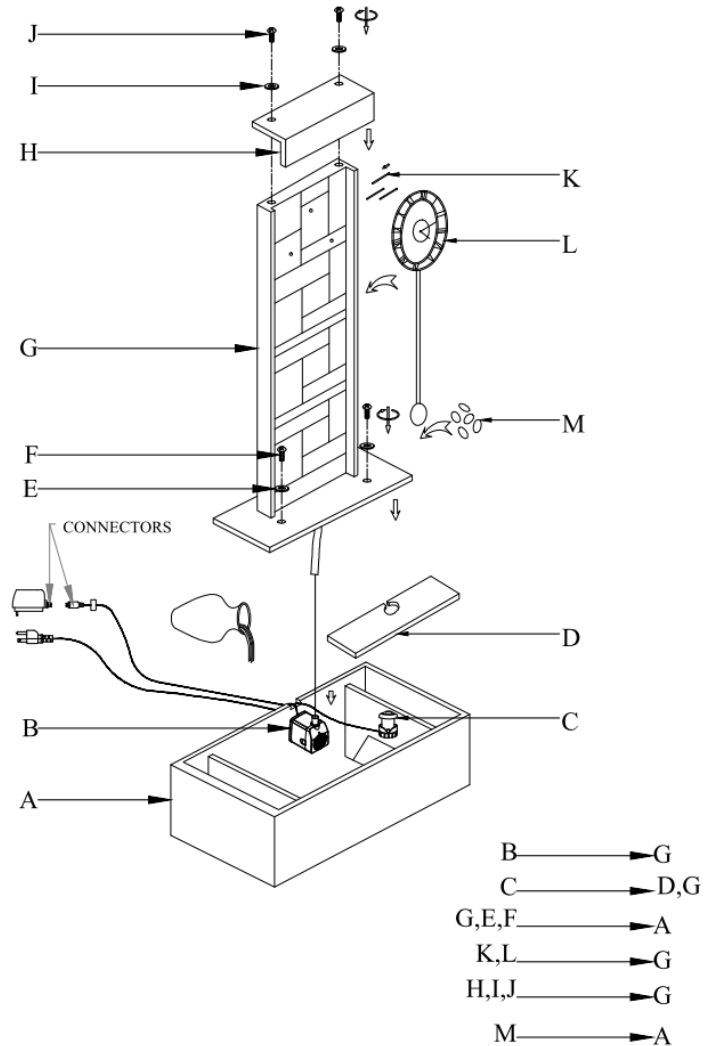
NOTE: The water tubing is built into the fountain body. Take care when handling the water tube; detaching the water tube from the fountain will damage the fountain and void the product warranty.

The copper components may patina; this is a natural characteristic of copper and is not cause for return or replacement.

ASSEMBLY

1. Connect the pump to the fountain body.
2. Gently lay the front plate on the front of the basin. Place the spotlight on the front plate and run the cord out the back of the basin. Firmly connect the AC adapter.
3. Gently place the fountain body onto the basin, ensuring the pump power cord runs out the groove in the back of the basin. Secure the fountain body to the basin with the washers and bolts.
4. Place the copper tubes into the pre-drilled holes on the fountain body. Hang the clock on the copper tubes.
5. Place the L-shaped cover on the fountain body and secure with washers and bolts.
6. Gently place the decorative stones in the basin.
7. Fill the fountain with enough water to keep the pump fully submerged during operation; approximately 3 gallons.
8. Plug the power cords into properly grounded GFCI outlets.

Note: When first used, there may be air in the pump. It may take several minutes for trapped air to escape, allowing water to flow.



IMPORTANT INFORMATION

USE & CARE

- For outdoor use only.
- The lighting feature of this fountain is optional. To turn the light off, simply unplug the 2-prong power cord.
- Check the water level frequently to ensure the pump remains fully submerged; never allow the pump to run dry as it will burn out the motor.
- Only use water in this fountain. Distilled water will help prevent mineral buildup but is not required, avoid heavily chlorinated tap water as it may damage the fountain or pump.
- Periodically change the water to reduce scale and buildup — clean the fountain and pump regularly for optimal performance and appearance.
 - DO NOT use harmful additives such as bleach, chlorine, etc.
 - DO NOT use a pressure washer or abrasive materials to wash the fountain.
- Always shut off the power supply before cleaning and maintaining the fountain and the recirculating pump.
- Take care when handling the pump; only pick it up by the body of the pump, never by the power cord.
- During freezing temperatures, drain the fountain, disconnect the pump and store indoors; allowing ice to form may crack the fountain and will damage the pump.

TROUBLESHOOTING

- Ensure that the pump is fully submerged and add water to the reservoir if necessary.
- Check the pump and tubing for obstructions.
- Some splashing is normal. Check the flow control on the body of the pump; it may need to be adjusted to achieve the desired flow rate.
- If water is not flowing evenly, it may be due to the porous nature of the slate material. Moisten the entire slate surface beneath the downspout to even out water flow.
- If water is not flowing within several moments of the fountain being plugged in, the pump may have trapped air which can prevent water from circulating properly. Simply unplug the power supply for a few moments and plug it back in.
- If the light is not working, ensure the adapter is fully connected and is plugged in.
- Check to make sure the power outlet is working; if in doubt about electrical connections, consult a certified electrician.

If you are still experiencing issues, please contact our customer service team through one of the methods mentioned at the top of page 1. To expedite response time, please have the item number and order information available.

Any modification or failure to follow the recommended care will void the product warranty.

WARNING!

Manufacturer and seller expressly disclaim any and all liability from personal injury, property damage or loss, whether direct or indirect, or incidental, resulting from the incorrect attachment, improper use, inadequate maintenance, or neglect of this product.