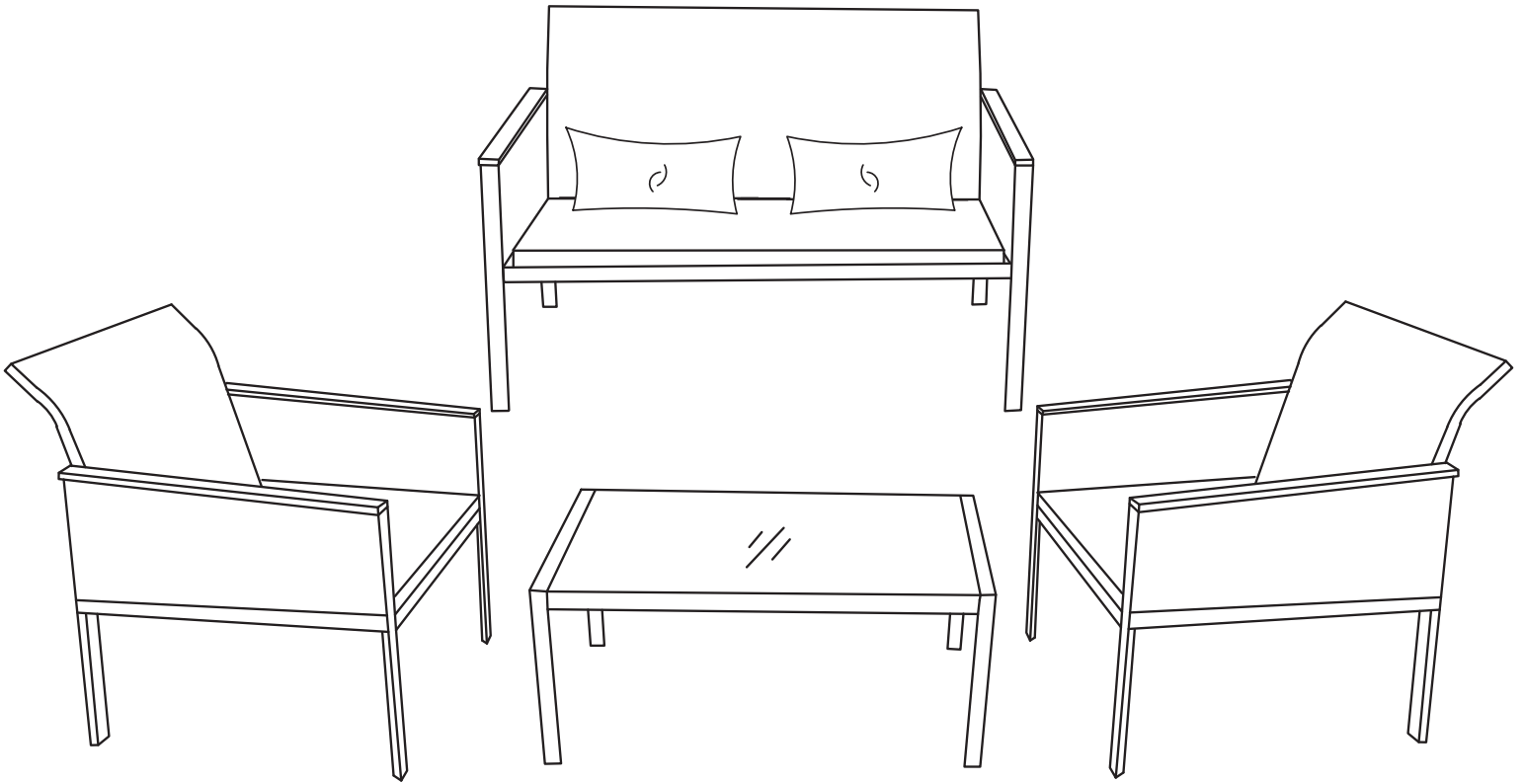


COACHFORD 4-PIECE RESIN WICKER PATIO FURNITURE SET



LOVESEAT

525
pounds
238 kg
Weight Capacity

CHAIR

260
pounds
118 kg
Weight Capacity

TABLE

55
pounds
25 kg
Weight Capacity

! HELPFUL HINT

Sunnydaze Decor advises reading this manual fully, and assembling the furniture set soon after purchase. Check that all parts are accounted for and familiarize yourself with the assembly before beginning.

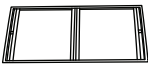


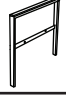

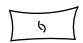
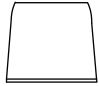
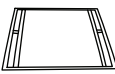
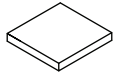

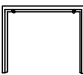
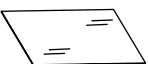
Save this manual for future reference.









COMPONENTS



Inspect packaging to ensure all parts are accounted for before disposing of packing materials.

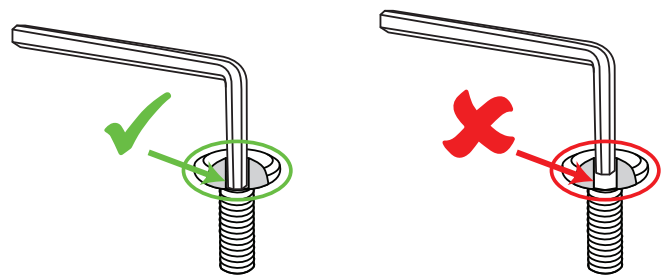
No.	PARTS	QTY.
A	 Loveseat Seat Panel	1
B	 Loveseat Backrest	1
C	 Right Arm Panel	3
D	 Left Arm Panel	3
E	 Loveseat Cushion	1
F	 Pillow	2
G	 Chair Backrest	2
H	 Chair Seat Panel	2
K	 Seat Cushion	2
L	 Table Frame	1
M	 Table Side Panel	2
N	 Tabletop	1

No.	HARDWARE	QTY.
1	 M6x35mm Bolt	19
2	 M6x30mm Bolt	4
3	 M6x55mm Bolt	6
4	 Washer	29
5	 Cap	18
6	 Hex Key	2

⚠ WARNING ⚠

CHOKING HAZARD — This item contains small parts that could be swallowed by children. Keep children away during assembly.

Tip: Always fully insert the hex key inside designated notch of the bolt.



If the hex key is not fully inside the notch, the hex key could slip out, causing damage to the bolt head. Repeated hex key slipping will cause the notch to become rounded, making it difficult or impossible to tighten the bolt with the hex key.

ATTENTION! Do not fully tighten any hardware until all components are loosely connected. If each bolt is fully tightened too soon, mounting holes may not align and parts may not easily fit together.

Turn each bolt, by hand, until the screw grips into the mounting hole. Continue this process until all bolts have been installed. Tighten all hardware.

Do not use any electronic tools to assemble these product. The high energy of electronic tools will cause hardware to over-tighten, stripping the bolt, bolt head, or bore holes.

Only tighten the hardware entirely after the product is completely set up.

Do not over-tighten screws or bolts.

⚠ WARNING:

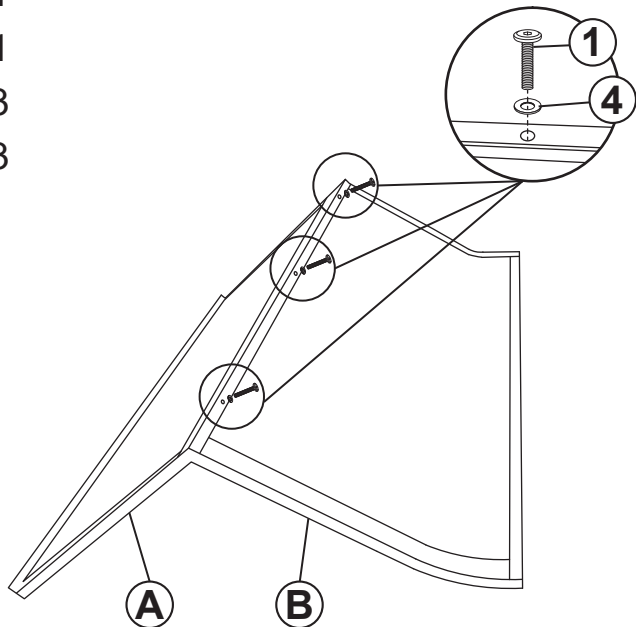
Manufacturer and seller expressly disclaim any and all liability from personal injury, property damage or loss, whether direct or indirect, or incidental, resulting from the incorrect attachment, improper use, inadequate maintenance, or neglect of this product.



LOVESEAT ASSEMBLY

STEP 1

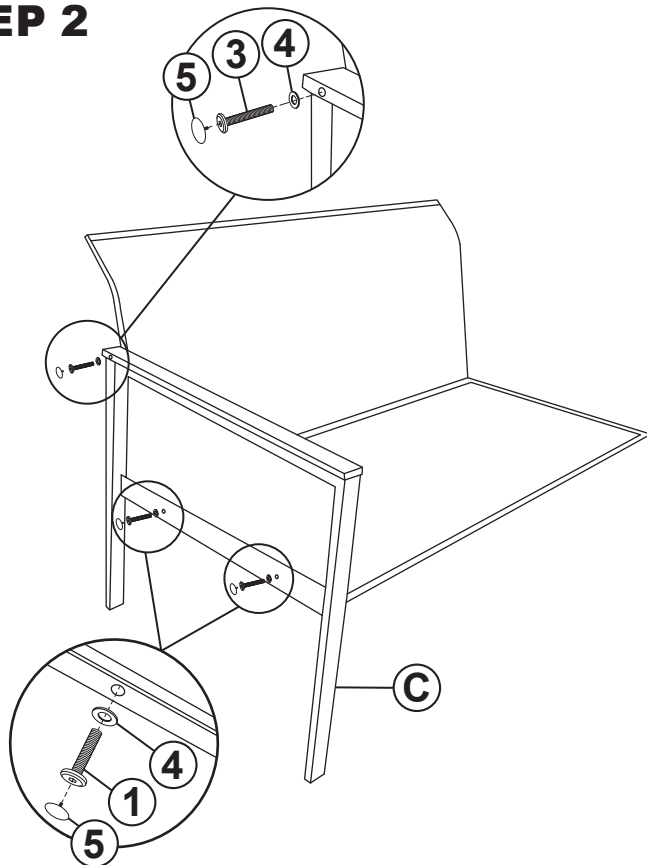
- A: 1
- B: 1
- 1: 3
- 4: 3



Do not fully tighten hardware until after Step 3 is complete.

STEP 2

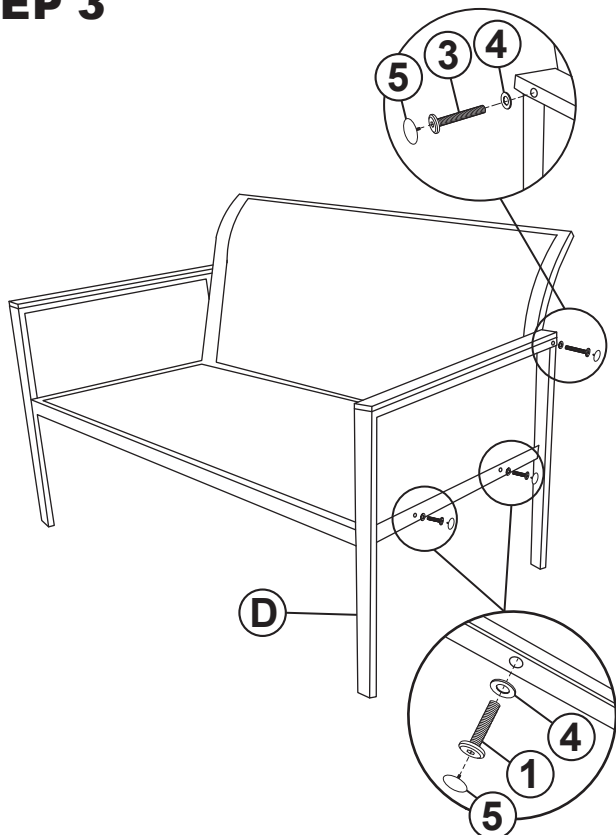
- C: 1
- 1: 2
- 3: 1
- 4: 3
- 5: 3



Do not fully tighten hardware until after Step 3 is complete.

STEP 3

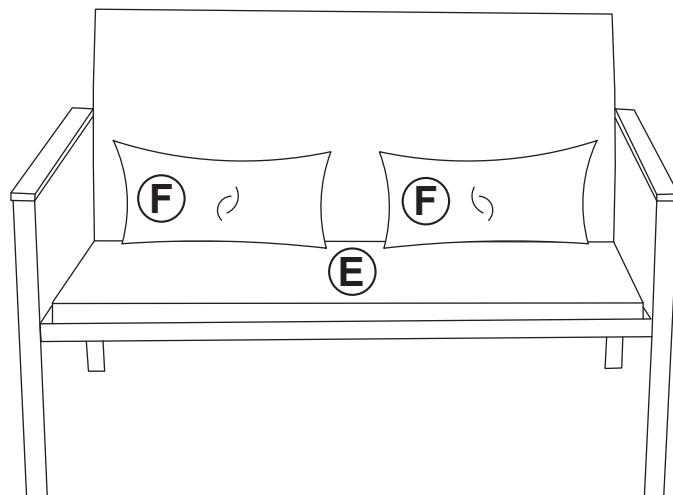
- D: 1
- 1: 2
- 3: 1
- 4: 3
- 5: 3



Fully tighten all hardware from previous steps and insert Caps (5).

STEP 4

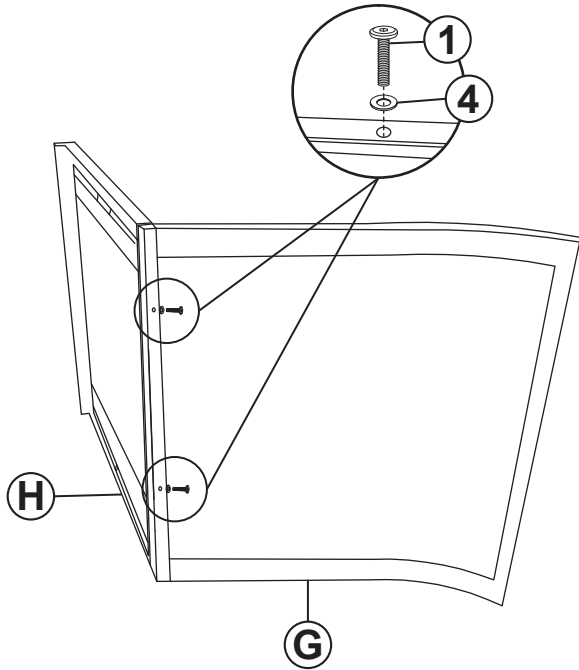
- E: 1



INDIVIDUAL CHAIR ASSEMBLY

STEP 5

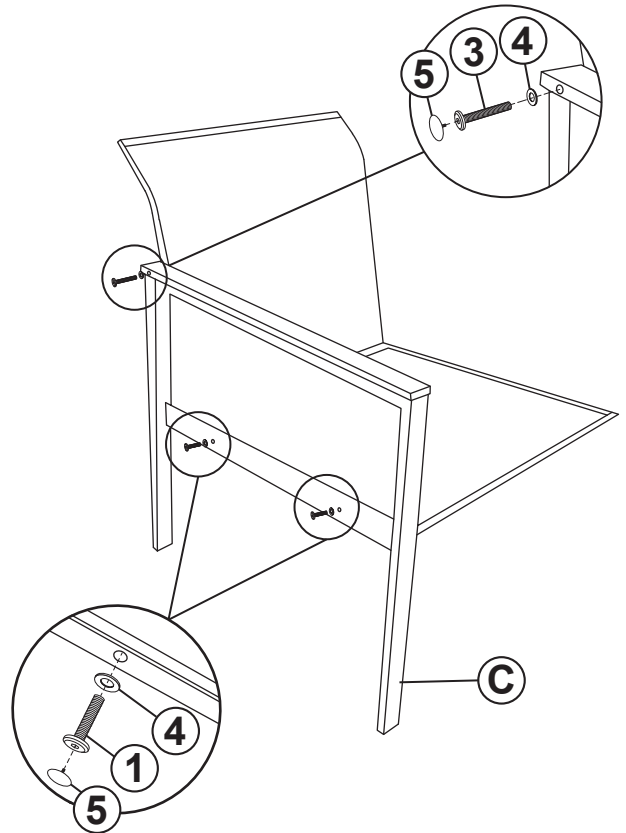
- G: 1
- H: 1
- 1: 2
- 4: 2



Do not fully tighten hardware until after Step 7 is complete.

STEP 6

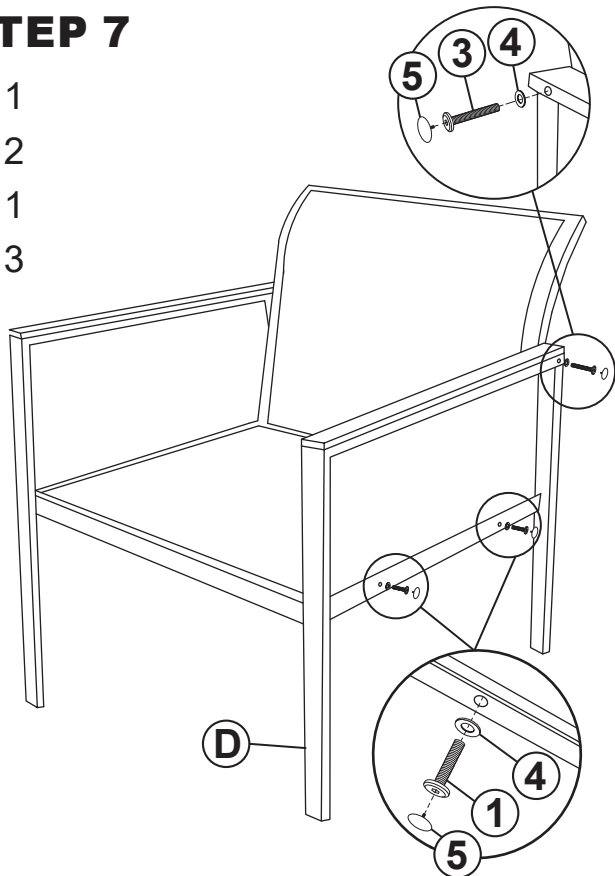
- C: 1
- 1: 2
- 3: 1
- 4: 3
- 5: 3



Do not fully tighten hardware until after Step 7 is complete.

STEP 7

- D: 1
- P: 2
- Q: 1
- R: 3



Fully tighten all hardware from previous steps and insert Caps (5).

STEP 8

- K: 1

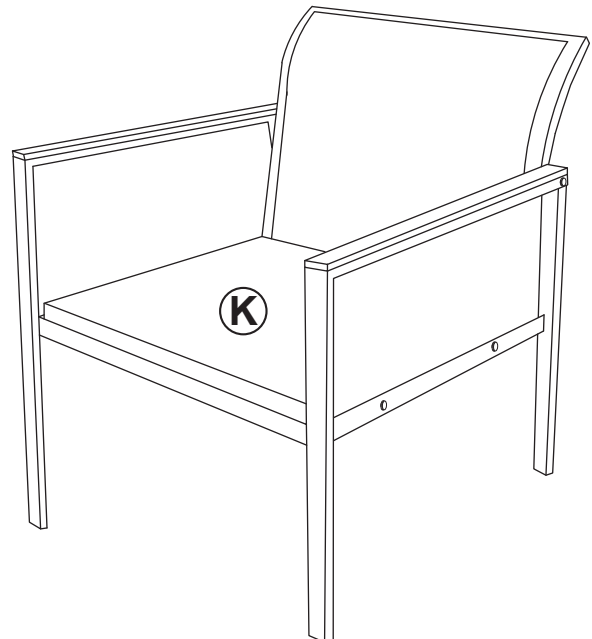
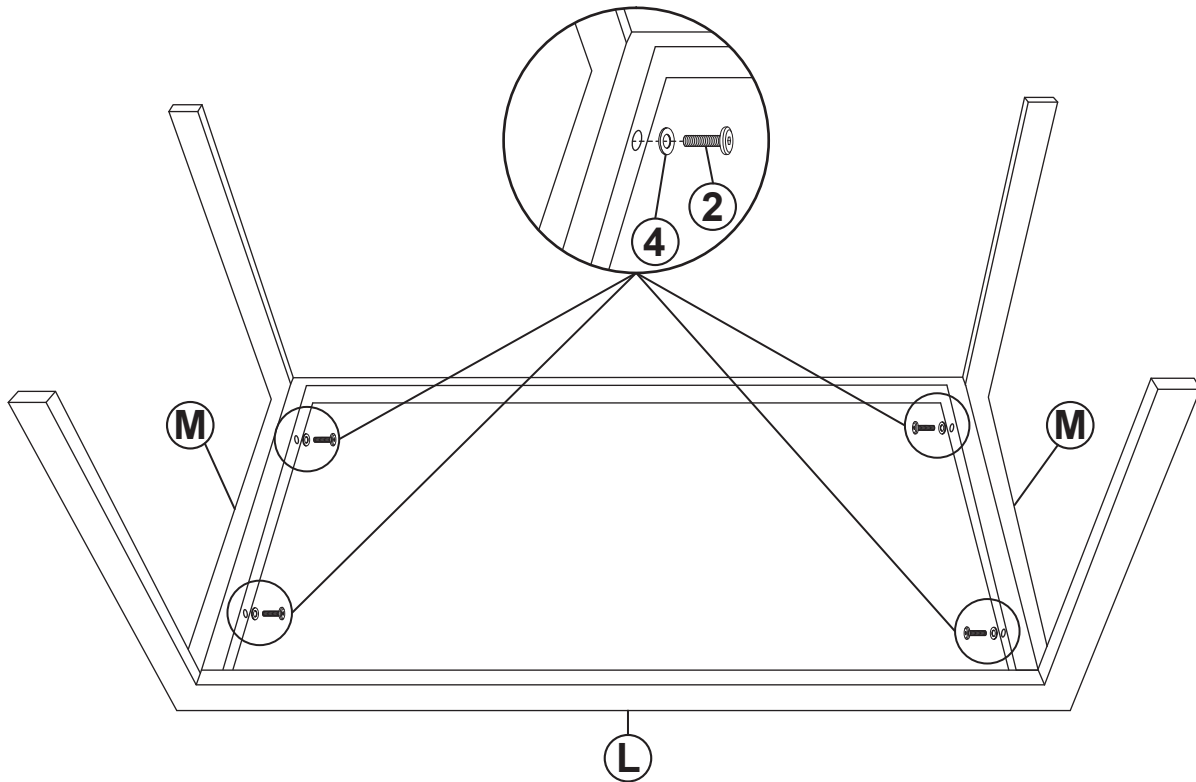


TABLE ASSEMBLY

STEP 9

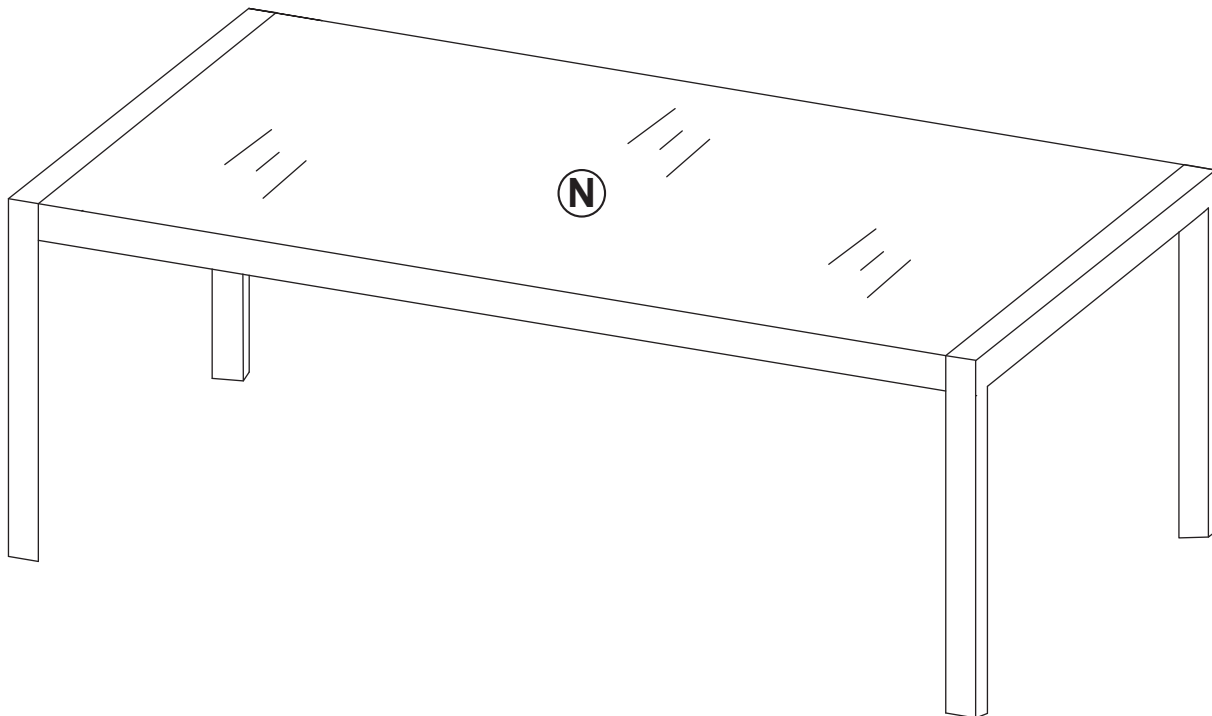
- L: 1
- M: 2
- 2: 4
- 4: 4



Do not fully tighten hardware until all components in this step have been connected.

STEP 10

- N: 1



Care & Maintenance

*Resin wicker furniture requires minimum maintenance.
Follow these basic tips to prolong the life of your resin wicker furniture.*

Protect: Storing cushions indoors when the furniture is not in use is highly recommended.

Cover: Covering the furniture with a breathable cover when it's not being used will help protect it from the harmful effects of sunlight, dust build-up, and collecting debris.

Sun Exposure: All materials and fabrics will eventually fade and degrade from sun exposure. Maintain cushion color and integrity by covering the furniture or storing cushions indoors when not in use.

Winter Care & Storage: Move the furniture to a cool, dry location to preserve the quality and to protect the frame from rusting. Covering furniture while in storage is recommended to help prevent dust build-up. Ensure cushions are completely dry before storing.

Cleaning

Regular cleaning keeps your resin wicker furniture looking stunning for many Sunnydaze to come!

Do not use harsh chemicals or abrasive materials to clean the furniture.



HAND-WASH ONLY



DO NOT USE BLEACH



DO NOT USE A PRESSURE WASHER

Cushions/Pillows

- Brush or vacuum loose dirt from the cushions.
- Wipe the cushions down using a soft cloth and cool water. For more stubborn stains, clean with mild soap and cool water, using a soft-bristle brush.

Furniture

- Remove all cushions and tabletop.
- Brush, vacuum or use a garden hose to remove loose dirt and debris. If using a hose with a spray nozzle, use gentle or medium pressure settings; using high-pressure sprayer settings will damage the construction of the furniture and void the product warranty.
- Mix 1/4 cup of soap or a mild detergent with 1 gallon of warm water. Using a soft-bristle brush, gently scrub the dirt and grime from the resin wicker.
- Spray with the garden hose or use a bucket of water to rinse all traces of soap residue from the furniture.

Wooden Surfaces

- Use a damp cloth to wipe down wooden surfaces and dry with a soft cloth.

SAFETY STATEMENTS & WARNINGS

- Do not exceed the weight capacity of the furniture.
- Do not sit, stand, or climb on the table. Do not stand on chairs or loveseat.
- Inspect hardware often and tighten loose hardware before use.
- Do not put hot items on or near furniture.
- Keep furniture a safe distance from heat sources such as fire pits, patio heaters, and grills.
- Do not allow children to use this product without adult supervision.
- Do not use harsh chemicals or abrasive materials to clean the furniture.

Any modification to the product or failure to follow recommended care will void the product warranty.

WARNING!

Manufacturer and seller expressly disclaim any and all liability from personal injury, property damage or loss, whether direct or indirect, or incidental, resulting from the incorrect attachment, improper use, inadequate maintenance, or neglect of this product.