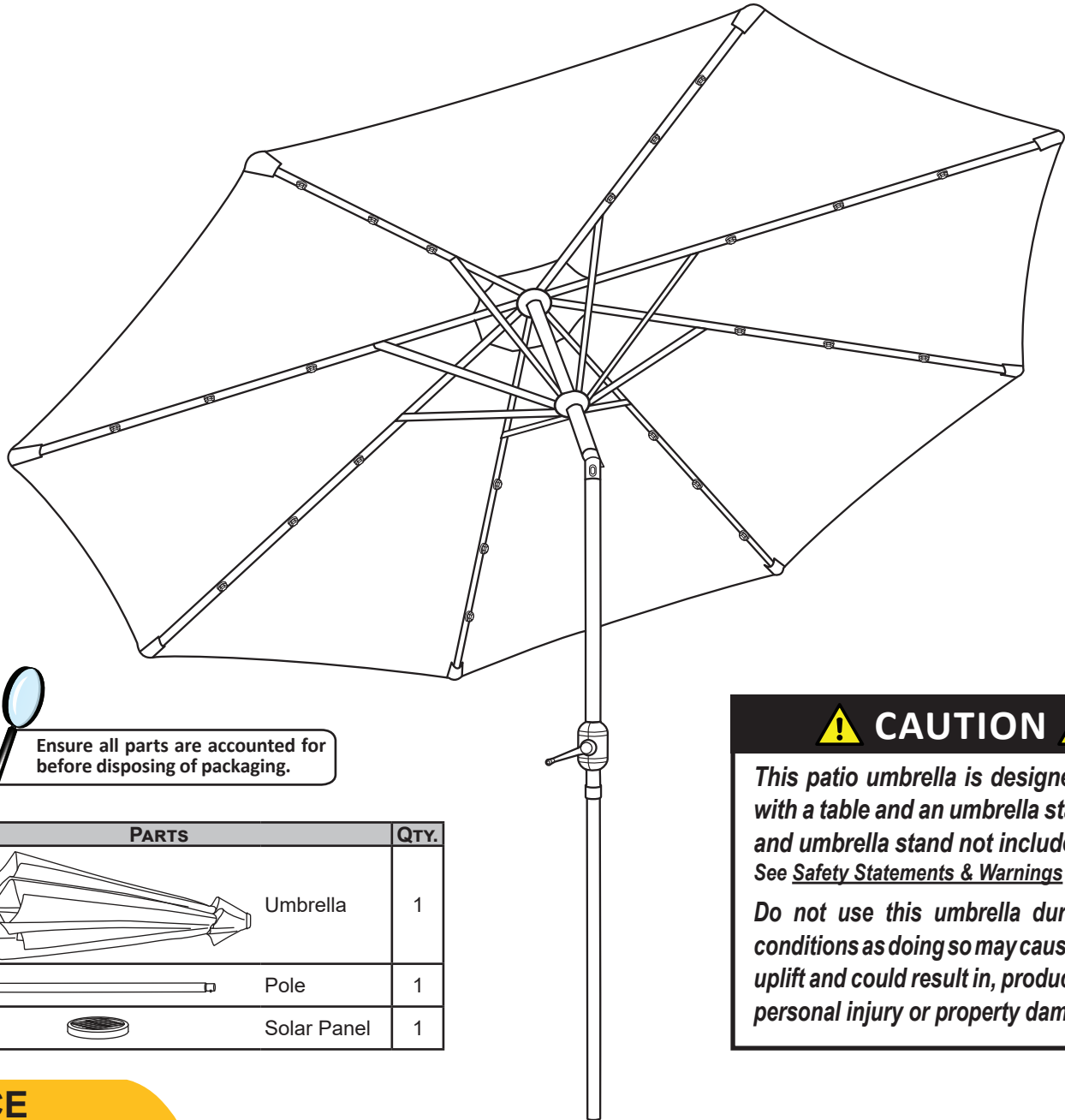


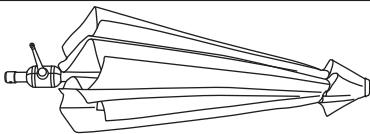
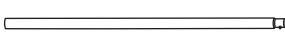

Thank you for choosing Sunnydaze Decor. We stand behind our brand and the quality of the items we sell. Replacement parts or products will be sent at our discretion within the 1-year warranty period. Proof of purchase, with the date of purchase as well as photos of the merchandise defect, must be provided. Photos are used to determine the cause of defects and for future quality control. Register your warranty at <https://tiny.cc/SunnydazeWarranty>
 If you have any questions, comments or concerns, feel free to contact us by phone at 833-982-1977, by email: customerservice@sunnydazedecor.com, or via our contact us page at <https://tiny.cc/SunnydazeContact>

9' SOLAR PATIO UMBRELLA

Read all assembly and care instructions carefully before using this product. Save these instructions for future reference.
Assemble components on a soft, clean surface to avoid damaging the canopy or scratching the powder-coated finish.



Ensure all parts are accounted for before disposing of packaging.

No.	PARTS	QTY.
A	 Umbrella	1
B	 Pole	1
C	 Solar Panel	1

⚠ CAUTION ⚠

This patio umbrella is designed for use with a table and an umbrella stand. Table and umbrella stand not included. See Safety Statements & Warnings on page 5.

Do not use this umbrella during windy conditions as doing so may cause umbrella uplift and could result in, product damage, personal injury or property damage.

NOTICE

- Always use this umbrella with a table and an umbrella stand.
- Do not use this umbrella in inclement weather such as strong wind, thunderstorms, heavy rain or snow.
- Failure to follow recommended use and care may result in damage and void the product warranty.

⚠ WARNING: Manufacturer and seller expressly disclaim any and all liability from personal injury, property damage or loss, whether direct or indirect, or incidental, resulting from the incorrect attachment, improper use, inadequate maintenance, or neglect of this product.

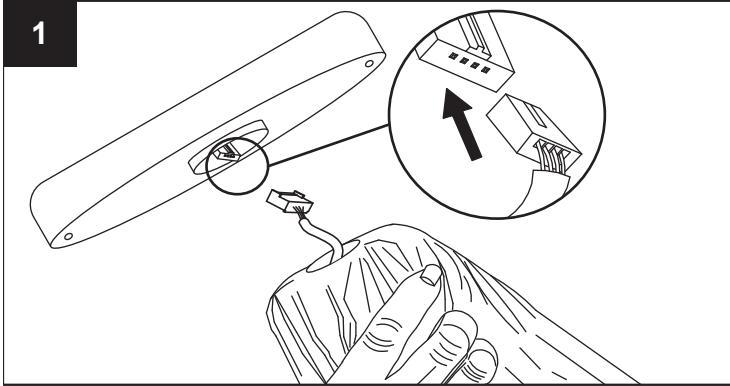
SETUP AND OPERATION

! CAUTION:

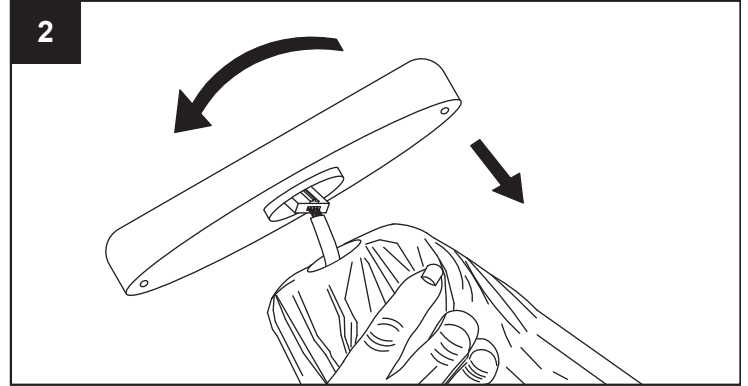
Do not use sharp tools such as a knife or scissors when removing the packaging material, as doing so may damage the product.

! WARNING:

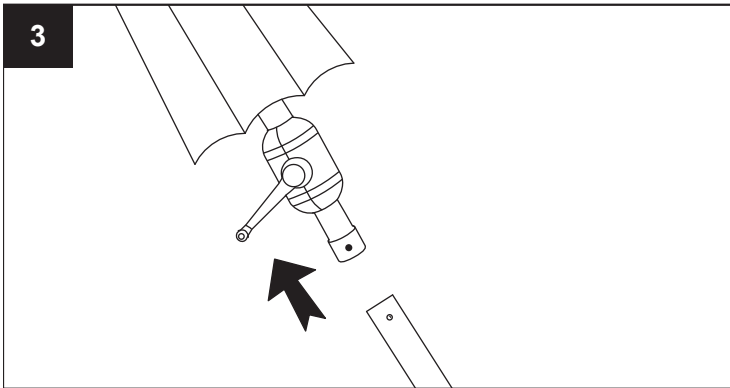
Read the entire manual before beginning assembly and follow the steps outlined. Failure to assemble and install as instructed could result in the umbrella tipping over, causing personal injury and/or property damage.



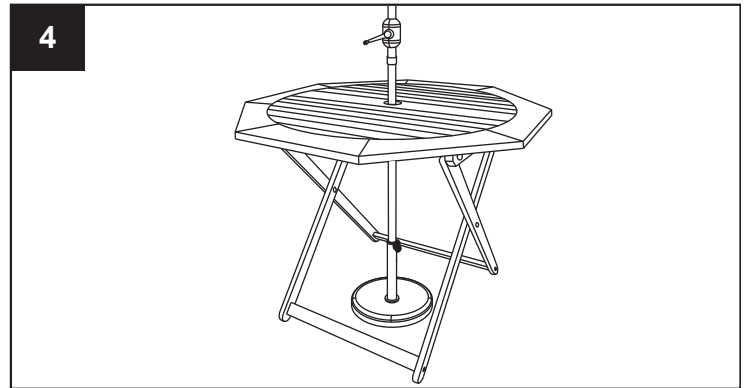
Firmly, but carefully, connect the plug on the solar panel with the socket on the top of the umbrella. Do not pull on wires as doing so may permanently damage the connections.



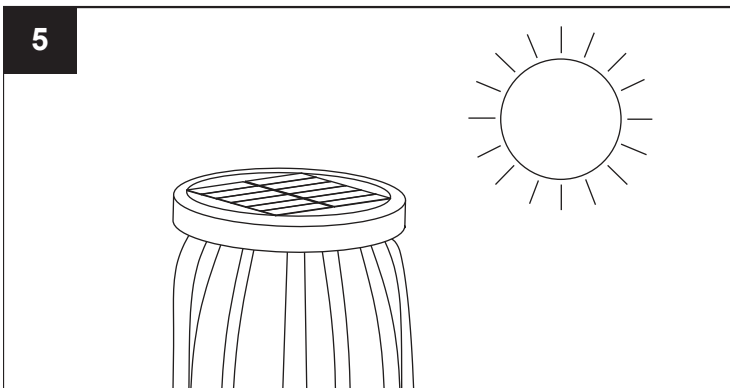
Align the notches on the solar panel with the grooves on the top of the umbrella, hide the plug and wires inside the hollow space. Turn the solar panel clockwise to lock into place; do not over-tighten.



Attach Umbrella (A) to Pole (B) by pushing the button spring clip on the pole and aligning it with the hole on the umbrella. You will hear a 'snap' when the pieces are connected.



Use this umbrella with a table and umbrella stand. Using the umbrella without the proper support may result in damage or injury.

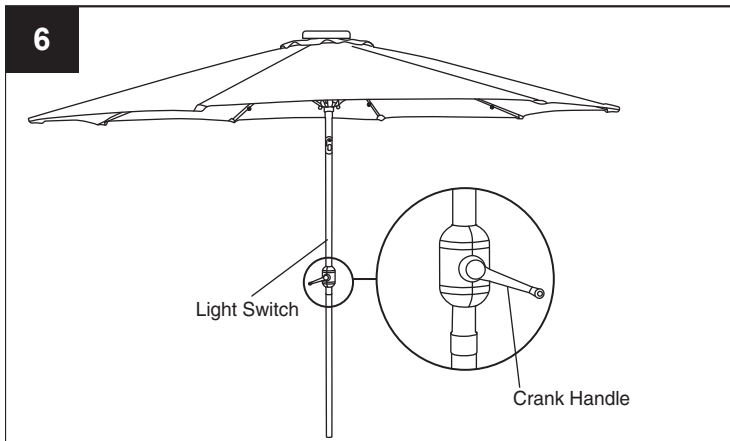


Before the first use, ensure the solar panel receives at least 8 hours of direct sunlight to charge the battery.

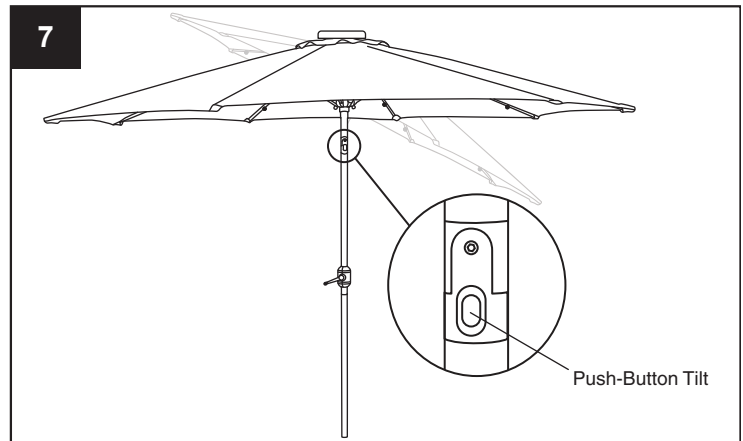
! IMPORTANT

The solar panel has a protective film to prevent scratches and damage during shipping.

Remove the plastic film on the solar panel before use. Failure to remove the film will result in the solar panel not functioning properly.



Turn the crank handle clockwise to open the umbrella canopy. Press the light switch above the crank handle to turn the solar lights on/off.



To tilt the umbrella canopy, press the tilt button and push the top of the umbrella canopy to the side.

CLOSING THE UMBRELLA

Turn the crank counterclockwise to lower the umbrella canopy. Secure the fabric with the straps that are sewn onto the canopy fabric to help prevent uplift during windy conditions.

OPENING & CLOSING TIPS

When opening, make sure the umbrella opens freely. If there is resistance while opening, **DO NOT FORCE THE UMBRELLA OPEN** as doing so may damage the umbrella. Check to see if the umbrella ribs are locked together; gently pull the ribs apart to assist the opening process.

When closed, pull the loose canopy fabric from between each rib to prevent it from getting jammed or trapped between the ribs and umbrella structure. Trapped fabric may result in unnecessary wear and holes in the fabric. Secure the fabric with the attached tie straps.

CHARGING THE SOLAR PANEL

- For optimal functionality, the battery must be fully charged before the first use. Charge the solar panel in full, direct sunlight for at least 8 hours. Failure to charge the battery will result in premature dimming of the lights. **MAKE SURE THE LIGHT SWITCH ON THE UMBRELLA POLE IS IN THE "OFF" POSITION WHEN CHARGING THE SOLAR PANEL.**
- Please note, the battery can discharge when not in use or left uncharged for a long period of time.
- For everyday normal use, only turn the light switch on at nighttime when the lights are needed. To conserve battery power, turn the switch off when lights are not in use. **THE LIGHT SWITCH MUST BE IN THE "OFF" POSITION DURING THE DAYTIME FOR THE SOLAR PANEL TO RECHARGE THE BATTERY.**

! CAUTION:

To prevent umbrella uplift, stabilize the umbrella using an umbrella base. If possible, also secure the umbrella with a table. Table and umbrella base not included.

! WARNING!

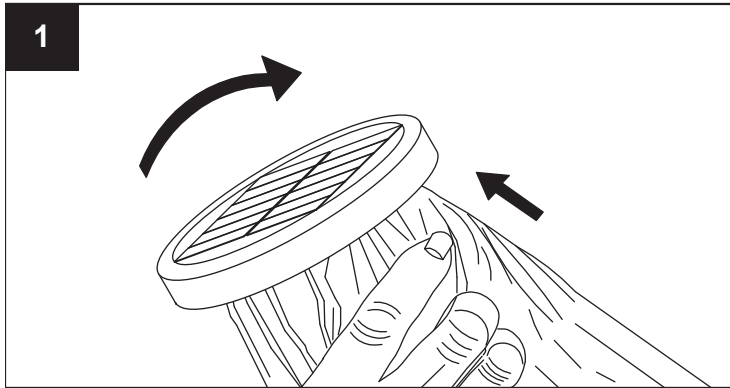
Manufacturer and seller expressly disclaim any and all liability from personal injury, property damage or loss, whether direct or indirect, or incidental, resulting from the incorrect attachment, improper use, inadequate maintenance, or neglect of this product.

BATTERY REPLACEMENT

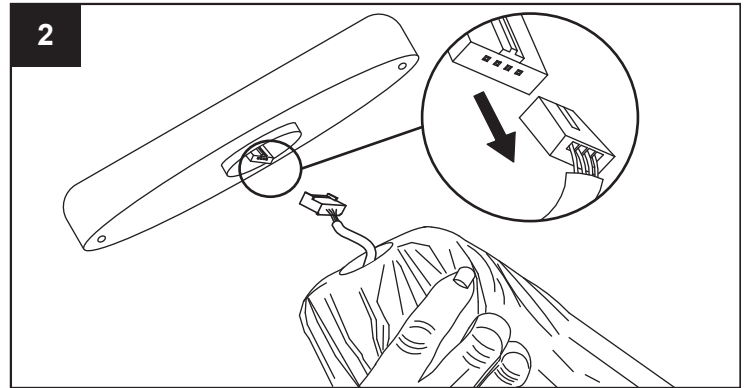
Change the battery in the solar panel yearly or when the light output has diminished.

- Only install a new rechargeable battery of the same type into the solar panel; (1) 'AA' Ni-Mh 1500mAh 1.2V rechargeable battery.

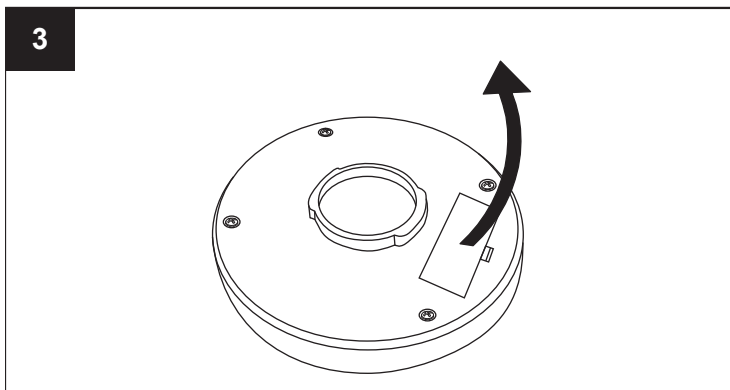
- Failure to insert the battery in the correct polarity, as indicated in the battery compartment, may shorten the life of the battery or cause the battery to leak.
- Recycle batteries in accordance with local laws and regulations.



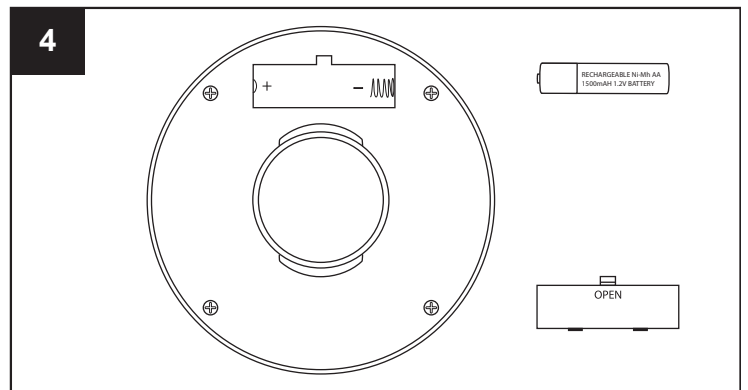
Twist the solar panel counterclockwise and gently lift the panel off the umbrella. Take care not to pull on the cords.



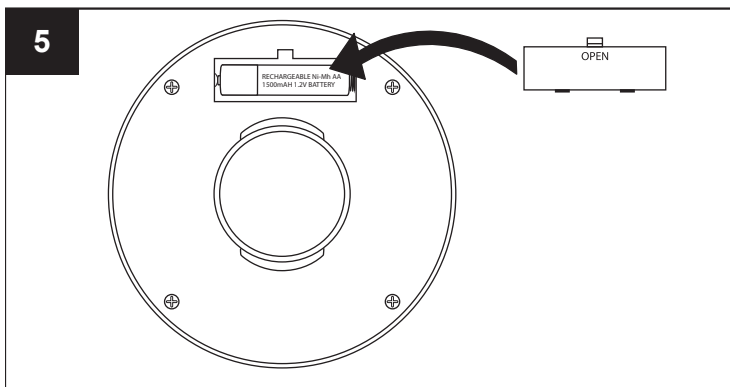
Carefully disconnect the plug from the socket by pressing the tabs surrounding the connection point. Pull apart by holding the plug, never pull on the wires.



Place the solar panel face-down on a soft, clean surface. Remove the battery housing cover.



Remove the old battery. Paying attention to the positive and negative terminals, insert the new battery.



Replace the battery housing cover and reconnect the solar panel to the umbrella.

! HELPFUL HINT

For best results, ensure the solar panel is in direct sunlight for at least 8 hours before using the solar function.



This product uses a rechargeable battery. When the battery can no longer be used, it should be removed from the unit and recycled. The battery must not be incinerated or composted. Recycle the battery in accordance with local laws and regulations.

OPENING & CLOSING

When opening, make sure the umbrella opens freely. If there is resistance while opening, **DO NOT FORCE THE UMBRELLA OPEN** as doing so may damage the umbrella. Check to see if the umbrella ribs are locked together; gently pull the ribs apart to assist the opening process.

When closed, pull the loose canopy fabric from between each rib to prevent it from getting jammed or trapped between the ribs and umbrella structure. Trapped fabric may result in unnecessary wear and holes in the fabric. Secure the fabric with the attached tie straps.

SUN EXPOSURE & STORAGE

All fabrics will eventually fade from sun exposure. Maintain the fabric color by covering it with an umbrella cover or storing it indoors when not in use.

Always store the umbrella indoors during the winter, extreme weather conditions and when it will not be used for an extended period of time.

DO NOT ALLOW THE SOLAR PANEL TO FREEZE. If storing umbrella in an unheated location, remove the solar panel and store in a cool, dry indoor location.

Removing the battery while in storage is highly recommended.

CLEANING



HAND-WASH ONLY



DO NOT USE BLEACH

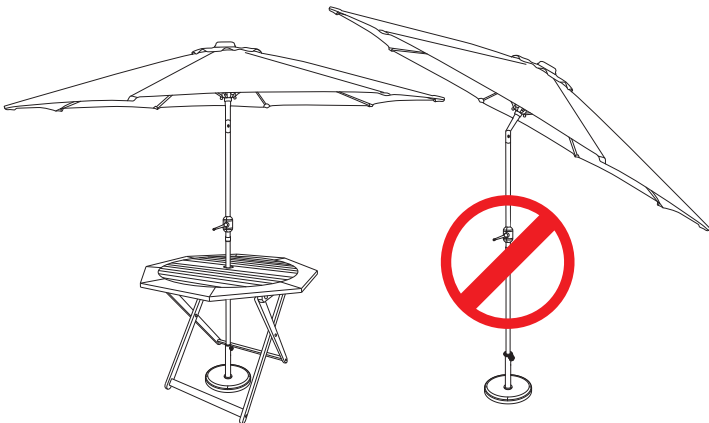
Do not remove the canopy fabric from the frame. Never use bleach, detergents, harsh chemicals or abrasive materials to clean the canopy or the frame.

Brush or vacuum loose dirt from the umbrella canopy. Wiping down the canopy and frame with a soft, damp cloth and warm water is usually sufficient.

For stubborn stains, clean with a soft-bristle brush, mild soap and warm water. Rinse thoroughly with a hose sprayer, ensuring all soap residue is removed; leaving soap residue will attract dust/dirt.

Thoroughly dry the frame with a soft cloth to prevent water spotting and rust. Open the umbrella canopy and allow it thoroughly to air-dry. Closing the canopy before it is completely dry will promote mold and mildew growth, and could stretch the fabric.

! SAFETY STATEMENTS & WARNINGS !



CORRECT USE

INCORRECT USE

- Do not use the umbrella without a table and umbrella stand.
- Do not use the umbrella in inclement weather such as strong wind, thunderstorms, heavy rain or snow.
- Never use the umbrella during windy conditions.
- Always close the umbrella canopy and secure the tie straps around the canopy when the umbrella is not in use.
- Store the umbrella indoors during winter and any inclement or extreme weather conditions.
- Do not allow the solar panel to freeze, store in a dry location.
- Do not iron the umbrella canopy.
- Do not allow children to assemble or operate the umbrella.
- To prevent rust on the pole, do not allow water to accumulate in an umbrella stand (not included). The umbrella pole should never be left in standing water.

Any modification to the product or failure to follow recommended care will void the product warranty.