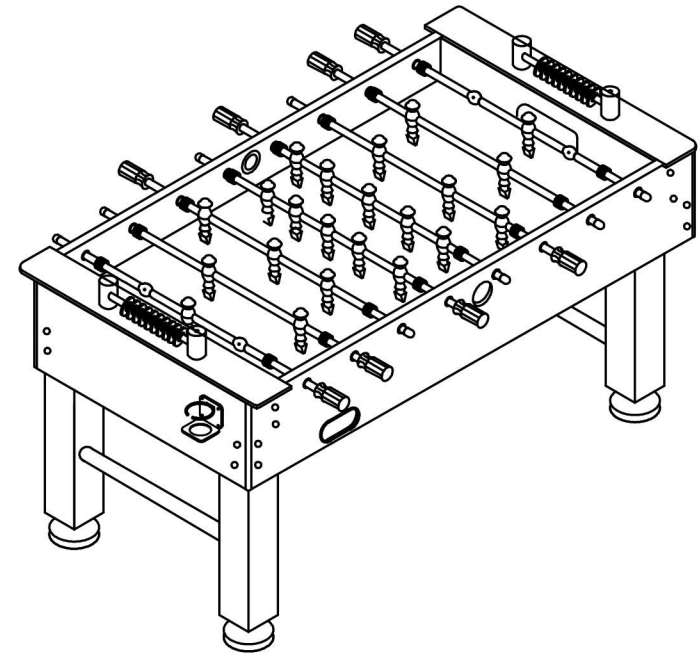




## 54" Foosball Table Assembly Instructions














Thank you for choosing Sunnydaze Décor. If you have any questions, comments or concerns please feel free to contact us by phone at: **888-881-4668**, by email: [customerservice@serenityhealth.com](mailto:customerservice@serenityhealth.com), or you could also email us via our contact us page at: [www.SerenityHealth.com/contact-us/](http://www.SerenityHealth.com/contact-us/).

We stand behind our brand and the quality of the items we sell. We will send new parts, or replace products at our discretion within the one year warranty period. Before we can help, you will need to provide proof of purchase with the date of purchase and photos of the defective merchandise. We will use the photos to determine the cause of defect and for future quality control.

# PARTS IDENTIFIER

## ASSEMBLY PARTS

DESCRIPTION QTY, REQUIRED  
(EXTRAPIECES MAY INCLUDED)

|  |            |                                |    |
|--|------------|--------------------------------|----|
|     | <b>H1</b>  | 1/4" FLAT WASHER               | 4  |
|     | <b>H2</b>  | 5/16" FLAT WASHER              | 24 |
|    | <b>H3</b>  | 1/4" LOCK NUT                  | 4  |
|    | <b>H4</b>  | LEG LEVELER                    | 4  |
|    | <b>H5</b>  | 5/16"*2-1/4" BOLT              | 8  |
|    | <b>H6</b>  | 5/16"*1-1/2" BOLT              | 16 |
|    | <b>H7</b>  | 1/4"×2" BOLT                   | 4  |
|    | <b>H8</b>  | 1"ROUND HEAD PHILLIPS SCREW    | 20 |
|   | <b>H9</b>  | 5/8" ROUND HEAD PHILLIPS SCREW | 26 |
|  | <b>H10</b> | 3/4" FLAT HEAD PHILLIPS SCREW  | 4  |
|  | <b>H11</b> | TOOL                           | 1  |

# ASSEMBLY INSTRUCTIONS

## SOCCER TABLE ASSEMBLY

WARNING: TWO ADULTS NEEDED TO ASSEMBLE SOCCER TABLE

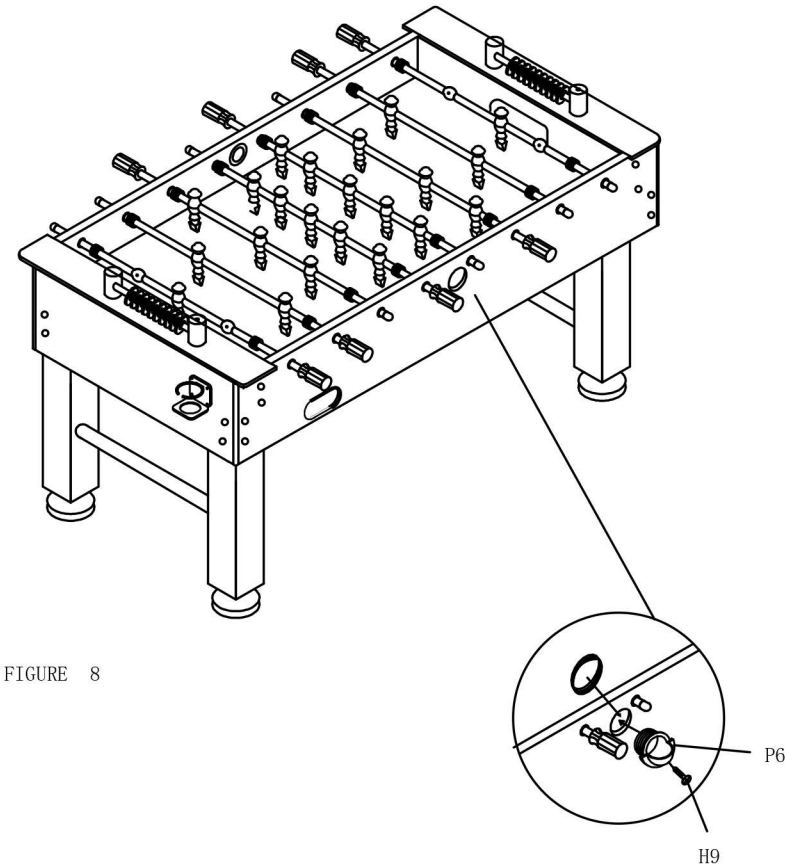


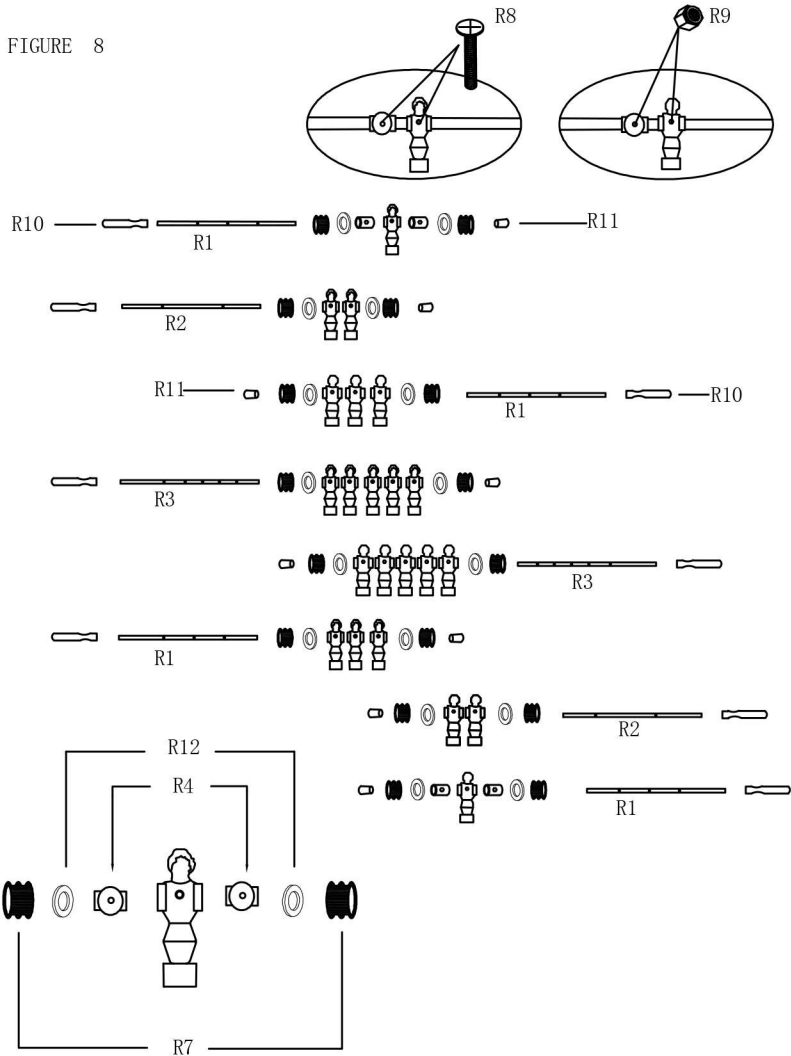
FIGURE 8

# ASSEMBLY INSTRUCTIONS

## SOCCER TABLE ASSEMBLY

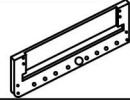



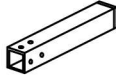


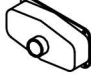

WARNING: TWO ADULTS NEEDED TO ASSEMBLE SOCCER TABLE

FIGURE 8



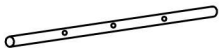
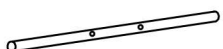
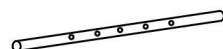

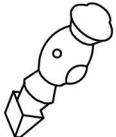




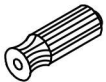
# PARTS IDENTIFIER

## ASSEMBLY PARTS

| DESCRIPTION  | QTY, REQUIRED              |   |
|--|----------------------------|---|
|  | (EXTRAPIECES MAY INCLUDED) |   |
|  <span style="border: 1px solid black; padding: 2px 10px;">P1</span> SIDE PANEL               |                            | 2 |
|  <span style="border: 1px solid black; padding: 2px 10px;">P2</span> END PANEL                |                            | 2 |
|  <span style="border: 1px solid black; padding: 2px 10px;">P3</span> PLAYING FIELD            |                            | 1 |
|  <span style="border: 1px solid black; padding: 2px 10px;">P4</span> PLAY FIELD SUPPORT BRACE |                            | 2 |
|  <span style="border: 1px solid black; padding: 2px 10px;">P5</span> LEG                      |                            | 4 |
|  <span style="border: 1px solid black; padding: 2px 10px;">P6</span> BALL ENTRY CUP           |                            | 2 |
|  <span style="border: 1px solid black; padding: 2px 10px;">P7</span> GOAL                     |                            | 2 |
|  <span style="border: 1px solid black; padding: 2px 10px;">P8</span> BALL CATCHER           |                            | 2 |
|  <span style="border: 1px solid black; padding: 2px 10px;">P9</span> SLIDE SCOER            |                            | 2 |

# PARTS IDENTIFIER

## ASSEMBLY PARTS

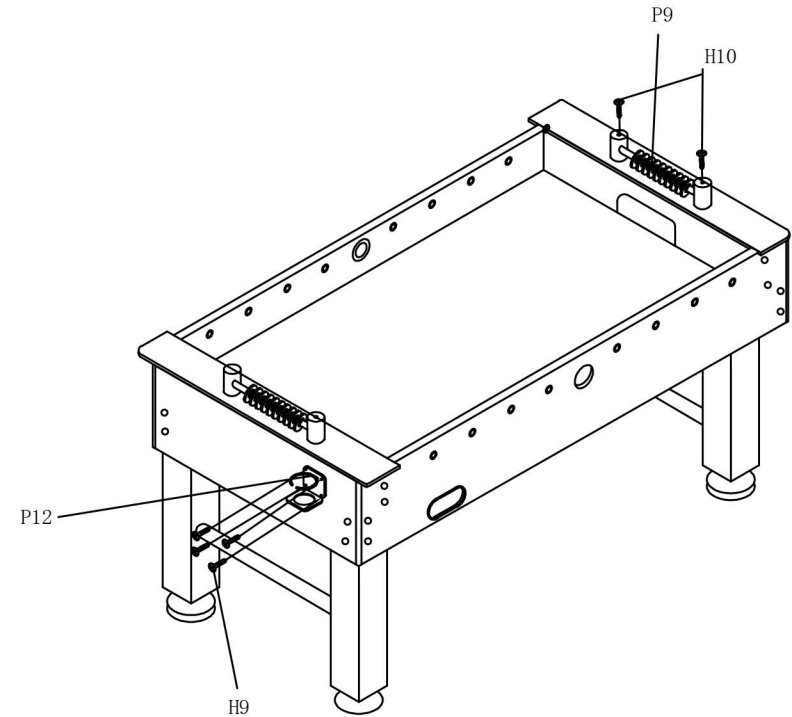
| DESCRIPTION   |            | QTY, | REQUIRED              |
|---|------------|------|-----------------------|
| (EXTRA PIECES MAY INCLUDED)   |            |      |                       |
|     | <b>R1</b>  | 3    | PLAYERS ROD 4         |
|     | <b>R2</b>  | 2    | PLAYERS ROD 2         |
|     | <b>R3</b>  | 5    | PLAYERS ROD 2         |
|    | <b>R4</b>  |      | SLEEVE 4              |
|     | <b>R5</b>  |      | AWAY MEN 11           |
|     | <b>R6</b>  |      | HOME MEN 11           |
|     | <b>R7</b>  |      | RUBBER ROD BUSHING 16 |
|    | <b>R8</b>  |      | 5/32" x 1" BOLT 26    |
|  | <b>R9</b>  |      | 5/32" LOCK NUT 26     |
|   | <b>R10</b> |      | ROD HANDLE 8          |

# ASSEMBLY INSTRUCTIONS

## SOCCER TABLE ASSEMBLY

WARNING: TWO ADULTS NEEDED TO ASSEMBLE SOCCER TABLE

FIGURE 6



# ASSEMBLY INSTRUCTIONS

## SOCCER TABLE ASSEMBLY

WARNING: TWO ADULTS NEEDED TO ASSEMBLE SOCCER TABLE

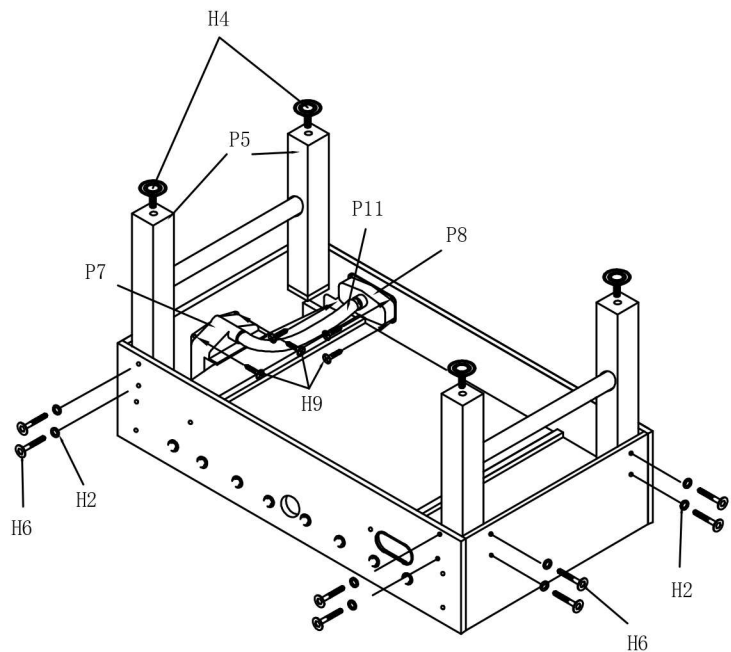


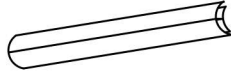


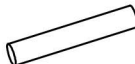






FIGURE 5

# PARTS IDENTIFIER

## ASSEMBLY PARTS

DESCRIPTION QTY, REQUIRED  
(EXTRAPIECES MAY INCLUDED)

|   |            |                              |    |
|---|------------|------------------------------|----|
|    | <b>R11</b> | ROD END CAP                  | 8  |
|    | <b>R12</b> | WASHER                       | 16 |
|    | <b>P10</b> | CORNER                       | 4  |
|    | <b>P11</b> | BALL RUNNER                  | 2  |
|    | <b>P12</b> | CUP HOLDER                   | 2  |
|    | <b>P13</b> | CROSS BAR                    | 2  |
|    | <b>P14</b> | PANEL                        | 2  |
|   | <b>H12</b> | SOCCER BALL                  | 2  |
|  | <b>H13</b> | STICK                        | 4  |
|  | <b>H14</b> | 1" ROUND HEAD PHILLIPS SCREW | 6  |

# ASSEMBLY INSTRUCTIONS

## SOCCER TABLE ASSEMBLY

WARNING: TWO ADULTS NEEDED TO ASSEMBLE SOCCER TABLE

FIGURE 1

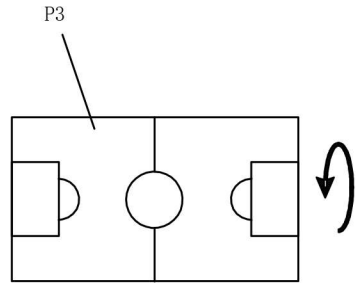
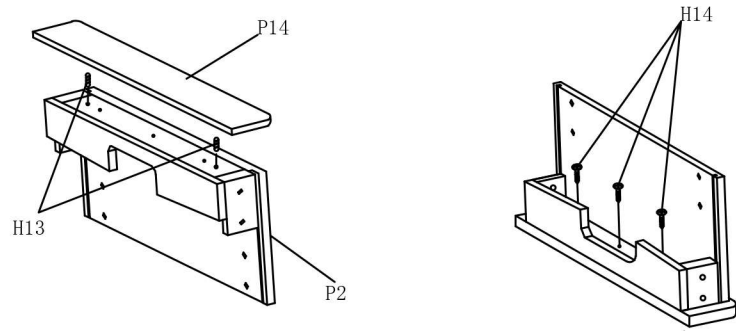
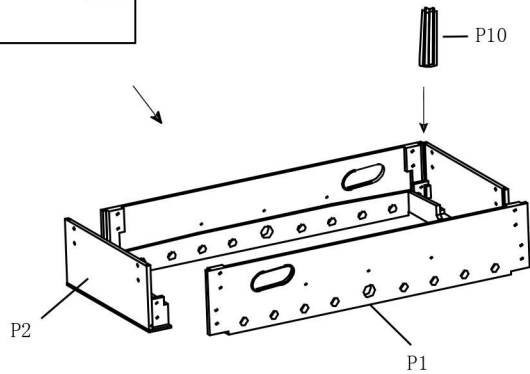


FIGURE 2



# ASSEMBLY INSTRUCTIONS

## SOCCER TABLE ASSEMBLY

WARNING: TWO ADULTS NEEDED TO ASSEMBLE SOCCER TABLE

FIGURE 3

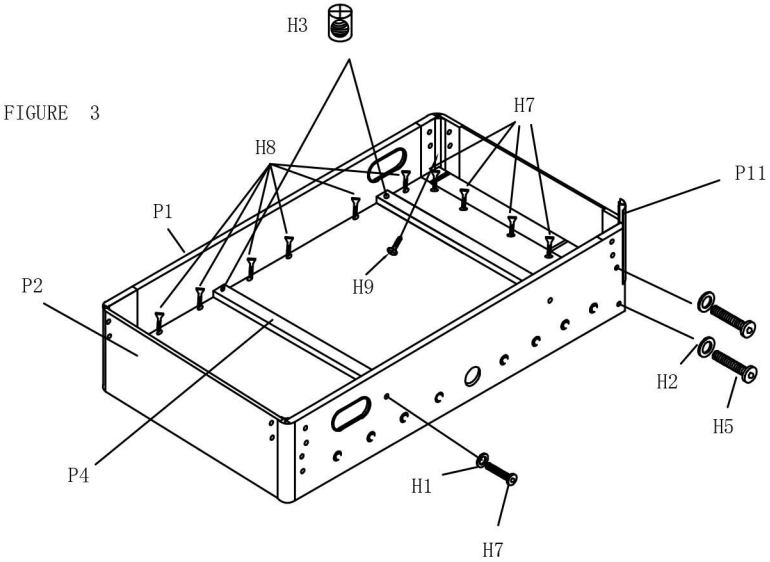


FIGURE 4

