

FLOATING CHAISE LOUNGE CHAIR

⚠ CAUTION ⚠
This chair is not designed for use as a swing. Bouncing, swinging, or any other significant movements while in the chair may cause serious injury.
This stand must be on a level, stable surface. Make sure the safety strap is attached correctly, and all hardware is securely tightened before each use.
Weight Limit: 260 lbs.

 **2-PERSON ASSEMBLY RECOMMENDED**

⚠ HELPFUL HINT

Sunnydaze advises reading this manual fully, and assembling the item soon after purchase. Check that all parts are accounted for and familiarize yourself with the assembly before beginning.
 Assemble components on a soft, clean surface to avoid scratching/damaging the finish.
 Save this manual for future reference.

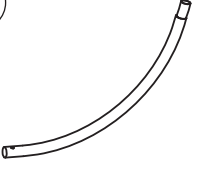
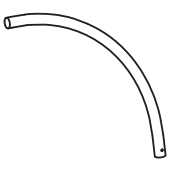
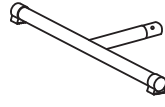
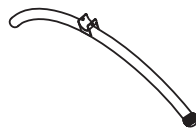
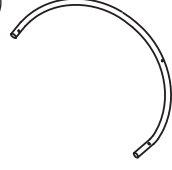
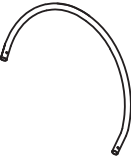



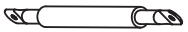



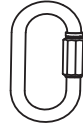
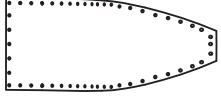

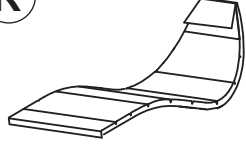

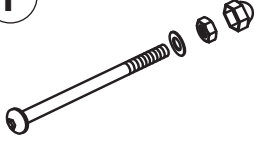
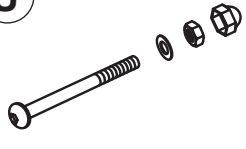
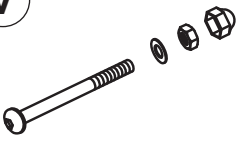

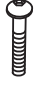





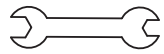
⚠ WARNING!

CHOKING HAZARD — This item contains small parts that can be swallowed. Keep children away during assembly.



COMPONENTS

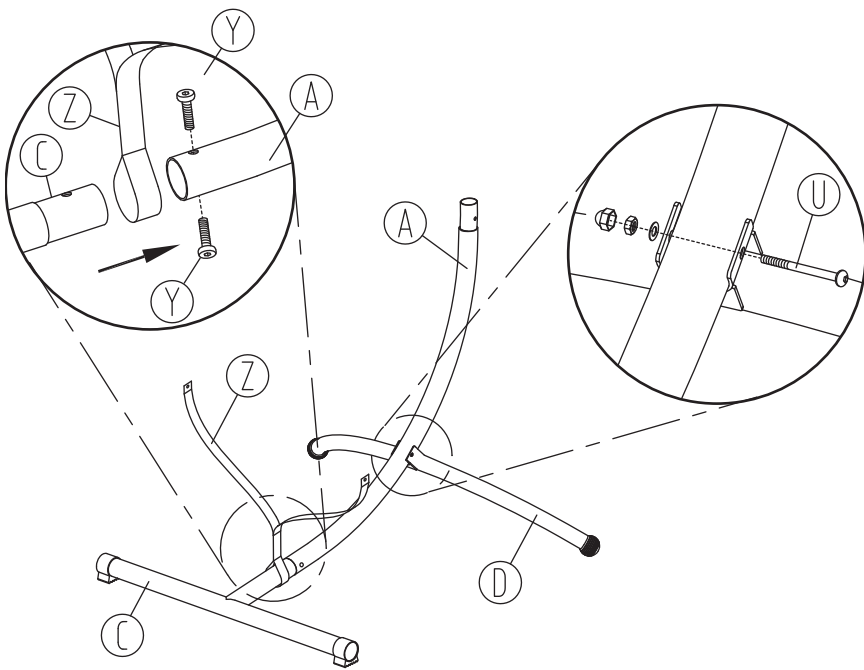
Inspect packaging to ensure all parts are accounted for before disposing of packing materials.

<p>A</p>  <p>Lower Support Pole Qty. 1</p>	<p>B</p>  <p>Upper Support Pole Qty. 1</p>	<p>C</p>  <p>Front Base Qty. 1</p>	<p>D</p>  <p>Back Base Qty. 1</p>	<p>E</p>  <p>Left Seat Back Pole Qty. 1</p>
<p>F</p>  <p>Right Seat Back Pole Qty. 1</p>	<p>G</p>  <p>Right Seat Pole Qty. 1</p>	<p>H</p>  <p>Left Seat Pole Qty. 1</p>	<p>I</p>  <p>Front Seat Frame Qty. 1</p>	<p>J</p>  <p>Seat Frame Brace Qty. 1</p>
<p>L</p>  <p>Umbrella Frame Qty. 1</p>	<p>M</p>  <p>Armrest Qty. 2</p>	<p>N</p>  <p>Closed S-Hook Qty. 1</p>	<p>O</p>  <p>Quick Link Qty. 1</p>	<p>P</p>  <p>Seat Web Qty. 1</p>
<p>Q</p>  <p>Rope Qty. 1</p>	<p>R</p>  <p>Chair Cushion Qty. 1</p>	<p>S</p>  <p>Umbrella Canopy Qty. 1</p>	<p>T</p>  <p>M8x95 Bolt Set Qty. 1</p>	<p>U</p>  <p>M8x80 Bolt Set Qty. 1</p>
<p>V</p>  <p>M8x72 Bolt Set Qty. 1</p>	<p>W</p>  <p>M8x15 Bolt Qty. 2</p>	<p>X</p>  <p>M8x30 Bolt Qty. 4</p>	<p>Y</p>  <p>M6x15 Bolt Qty. 2</p>	<p>Z</p>  <p>Safety Strap Qty. 1</p>
<p>AA</p>  <p>Eye Bolt Qty. 1</p>	<p>AB</p>  <p>Nut Set Qty. 1</p>	<p>AC</p>  <p>Hex Key Qty. 2</p>	<p>AD</p>  <p>Spanner Qty. 1</p>	

ASSEMBLY

STEP 1

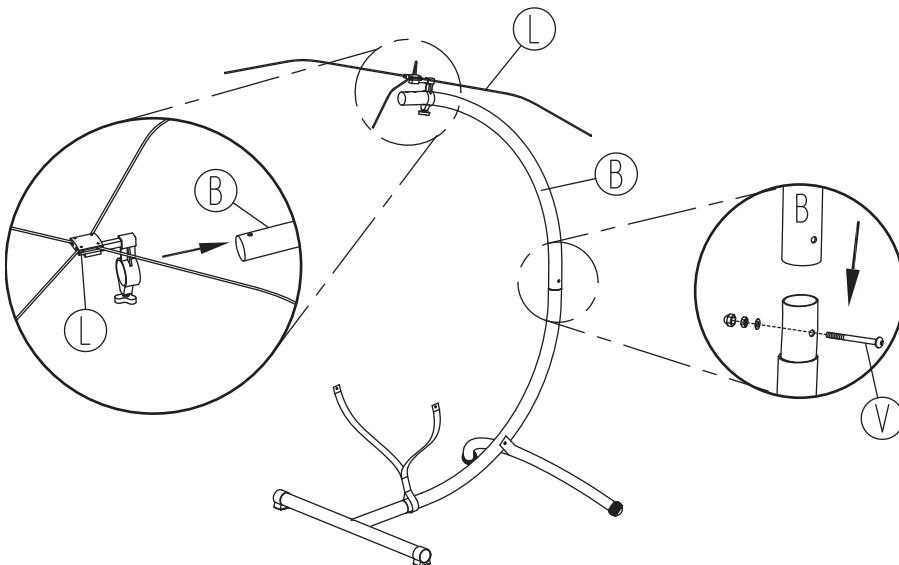
- Connect Lower Support Pole (A) to Back Base (D) using M8x80 Bolt Set (U).
- Slide Front Base (C) through the loop on Safety strap (Z), then into the lower support pole, as shown.
- Align the holes of the front base and lower support pole and secure with 2x M6x15 Bolt (Y), as shown.



STEP 2

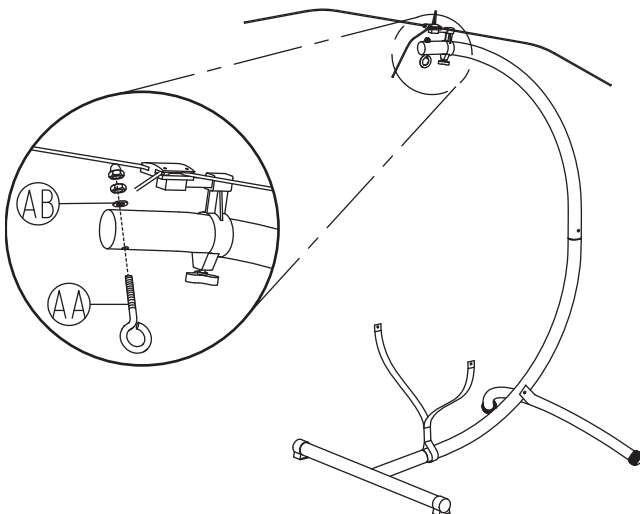
- Place Upper Support Pole (B) onto the lower support pole. Align the holes and secure with M8x72 Bolt Set (V).
- Slide Umbrella Frame (L) onto the upper support pole. Ensure the umbrella frame is beyond the hole at the end of the upper support pole and secure to the pole.

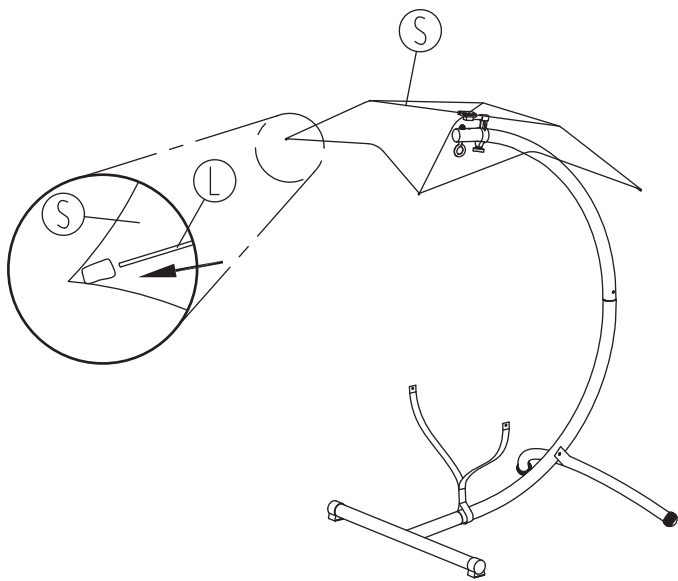
NOTE: Avoid over-tightening the threaded knob on the umbrella frame as it may damage the finish of the stand.



STEP 3

- Insert Eye Bolt (AA) through the underside of the hole on the upper support pole.
- Secure the eye bolt using Nut Set (AB).

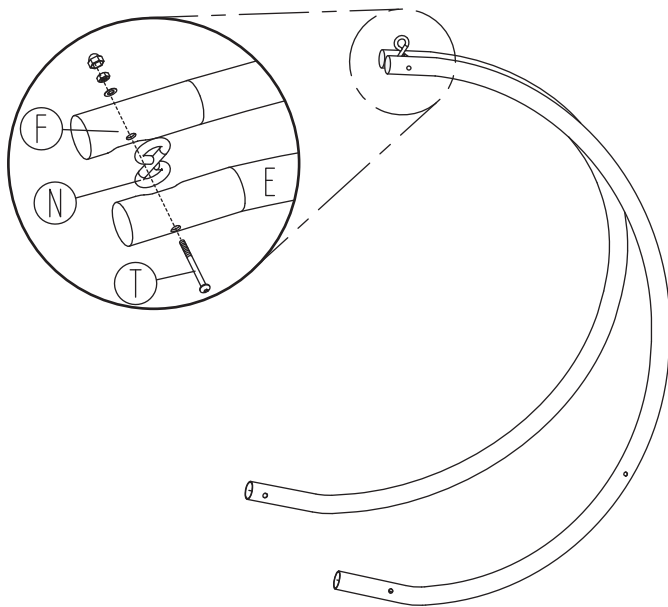




STEP 4

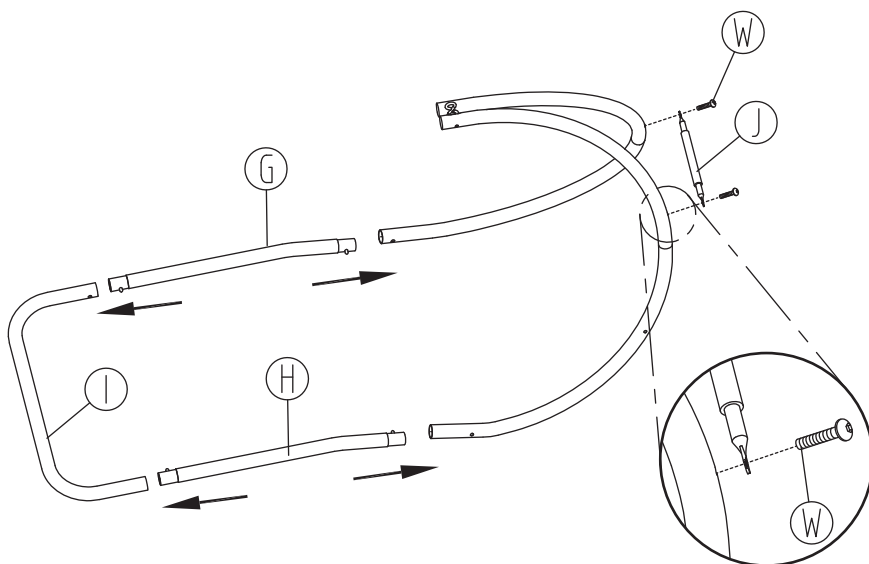
- Place Umbrella Canopy (S) onto Umbrella Frame (L).
- Slide the ribs into the plastic caps that are sewn into the ends of the umbrella canopy.

NOTE: The canopy is intended to fit tightly. Some force may be required but take care not to bend the ribs of the umbrella frame.



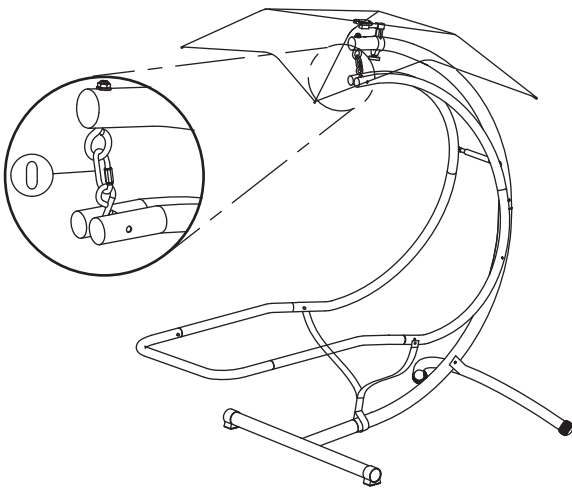
STEP 5

- Identify the tops of Seat Back Poles (E & F); the top will have a plug in the end.
- Ensuring the holes to secure the arms are on the outsides of the poles.
- With Closed S-Hook (N) in between Left Seat Back Pole (E) and Right Seat Back Pole (F), secure components with M8x95 Bolt Set (T), as shown.



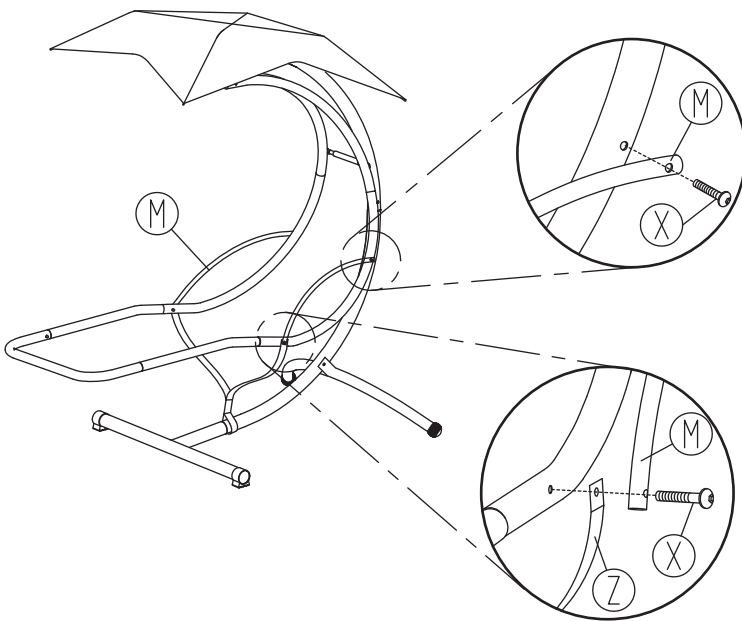
STEP 6

- Press the button spring clip on Right Seat Pole (G) and slide it into Front Seat Frame (I), the button will snap into place.
- Press the button spring clip on Left Seat Pole (H) and slide it into Front Seat Frame (I), the button will snap into place.
- Connect the assembled seat to the seat back poles, as shown.
- Attach Seat Frame Brace (J) to the backside of the seat poles using 2x M8x15 Bolt (W).



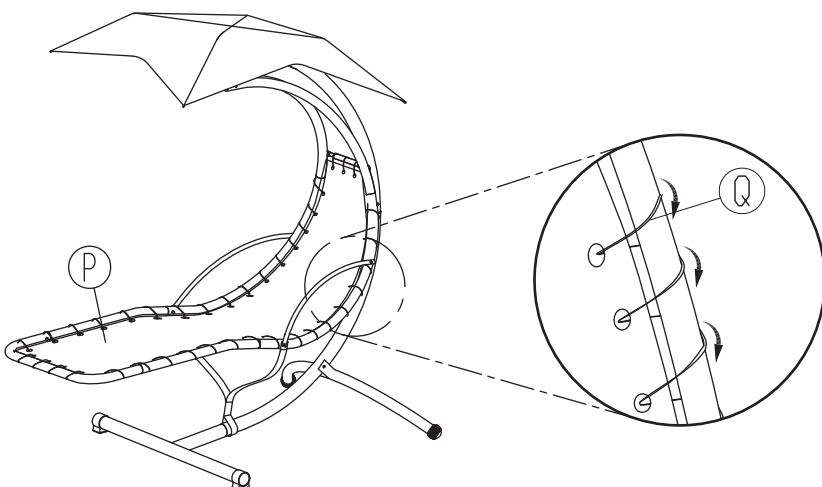
STEP 7

- Unscrew the nut on Quick Link (O) and hang the link on Eye Bolt (AA).
- Hang the assembled chair by placing Closed S-Hook (N) in Quick Link (O).
- Screw the nut on the quick link closed, ensuring it is tightly fastened.



STEP 8

- Align Armrest (M) with the holes on the side of chair.
- Loosely connect the top of Armrest (M) to the floating chair using 1x M8x30 Bolt (X), as shown.
- Run 1x M8x30 Bolt (X) through the bottom of Armrest (M), then through Safety Strap (Z), and into the side of the floating chair, as shown.
- Tighten armrest hardware and repeat this step to attach the second armrest.



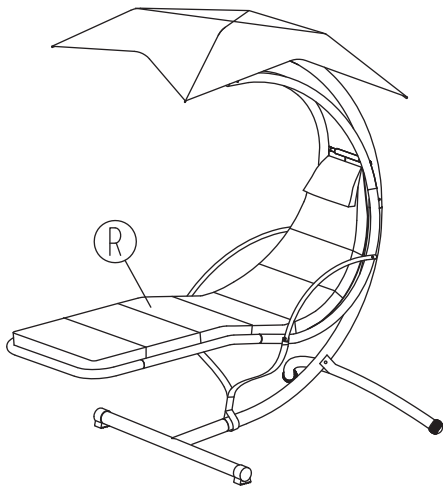
STEP 9

- Unravel Rope (Q) and fold in half to find the center-most point of the rope.
- Beginning at the footrest, attach Seat Web (P) to the floating chair by running Rope (Q) through the eyelets of the seat web and around the chair frame.

Tips: To help keep the rope length even on both sides, switch between the left and right side every few eyelets.

After initial installation of the seat webbing, start back at the footrest and pull the rope every few eyelets to ensure the seat webbing remains taut.

- Once seat web is taut, wrap excess rope to the chair frame, above the frame brace, leaving enough rope to tie/knot the ends.



STEP 10

- Tie Chair Cushion (R) onto the chair.

USE & CARE

Under normal use, Sunnydaze outdoor furniture will last for years.

It is important to follow basic use & care tips to prolong the life of your floating lounge.

- **SAFE USE:** Do not use this floating lounge chair for swinging, bouncing, jumping, or any other excessive movements; doing so may cause serious injury, including, but not limited to, the stand tipping over.
- **SUN EXPOSURE:** All fabrics will eventually fade from sun exposure. Maintain fabric color and integrity by storing the cushion and umbrella canopy indoors when not in use.
- **CHILDREN:** Supervise children at all times. Do not allow children to play on or sleep in the lounge chair.
- **INSPECTION:** Ensure the unit is assembled correctly and all hardware is securely tightened before every use.
- **CLEANING:** Use a soft cloth, warm water and mild detergent to wipe down the unit. Dry the stand after cleaning to prevent rust. Do not use chemicals or abrasive materials to clean any part of the unit.
- **STORAGE:** Store the cushion and umbrella indoors when not in use. Store the stand and chair in a cool, dry location to prevent damage and rust that may result from exposure to moisture and weather elements.
- **SCRATCHES:** The powder coating on the stand and frame is tough and durable but, even under normal use, some scratching is inevitable. To avoid excessive rust, wipe off moisture as necessary.

! SAFETY STATEMENTS & WARNINGS !

- Do not exceed the weight limit: 260 pounds
- This product is intended to be used by one person at a time.
- Use caution when sitting in the chair. Enter and exit the chair near the armrest only, with your feet firmly on the ground.
- Do not swing, bounce, jump, twist, or spin in the chair.
- The chair must be used with the provided safety strap attached to the stand and chair as shown in the assembly.
- Install all parts in accordance with the assembly instructions and inspect the stand before use.
- Ensure all hardware is securely installed and tightened before each use.
- Always inspect the chair, stand and hardware for damage before each use.
- Do not allow children to use this product without adult supervision. This floating lounge is NOT a TOY.

Any modification to the product or failure to follow recommended care will void the product warranty.

! WARNING:

Manufacturer and seller expressly disclaim any and all liability from personal injury, property damage or loss, whether direct or indirect, or incidental, resulting from the incorrect attachment, improper use, inadequate maintenance, or neglect of this product.