



WWW.4DCONCEPTSUSA.COM

4D CONCEPTS PHILIP COLLECTION WALL BOOKCASE AND DESK MODEL:182023

NEED ASSISTANCE ?

Call 4D CONCEPTS directly for parts or assembly assistance.
Individual stores do not stock parts

Call our Toll-free number 5 days a week except holidays:
Monday through Friday 8.00am to 5.00pm
Pacific Standard Time

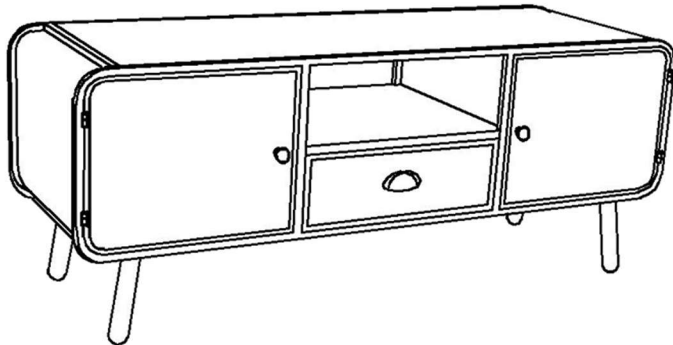
1-888-310-4DCO or 1-888-310 4326

IMPORTANT: Before calling please have the model number
and the packing code number ready for our customer service representatives.
You will find the model number printed on the carton label and the packing
code printed in black ink on the side of the carton.

Model 182023 Packing code

It is important that you retain the model number and the packing code
along with the original receipt of purchase for future reference.

Made in China

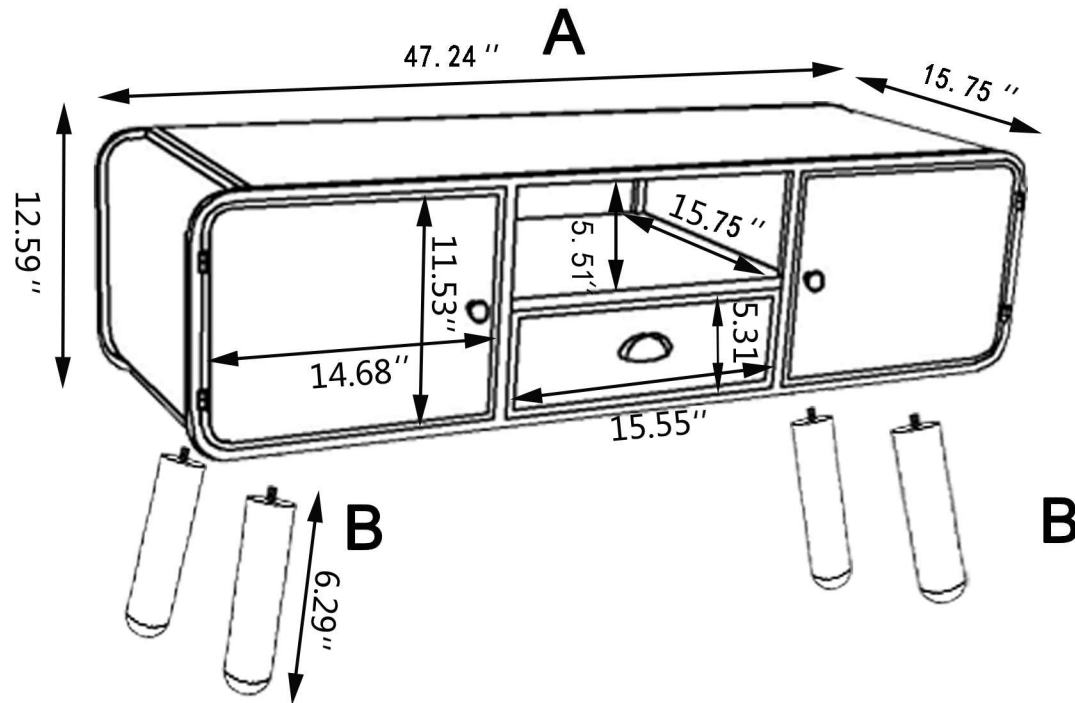


WITH EVERY PURCHASE FROM 4D CONCEPTS, YOU ARE HELPING TO CREATE BUSINESS SOLUTIONS TO POVERTY.

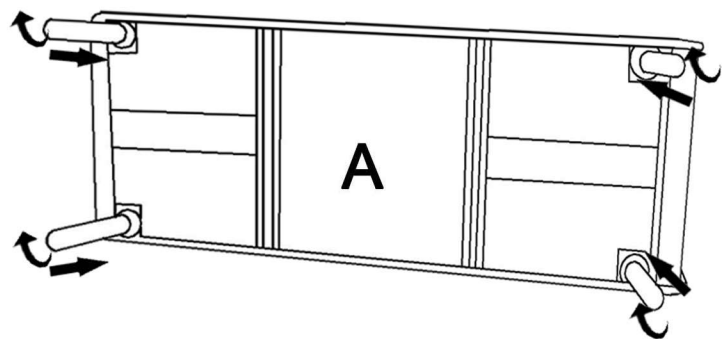
MEDA Find out how
www.weda.org/4D

182023 ASSEMBLY INSTRUCTION

NOTE: DON'T TIGHTEN THE SCREWS COMPLETELY, UNTIL UNIT IS ASSEMBLED.



STEP1



STEP2

