



Adjustable Fireplace Hood (FAH-BLK) Instruction Sheet

HOMEOWNER: PLEASE SAVE THESE INSTRUCTIONS FOR FUTURE REFERENCE.

Congratulations on your purchase of a HY-C Adjustable Fireplace Hood. The purpose of this product is to protect adjacent combustible surfaces from the high heat output associated with fireplaces. It is imperative the product be properly installed to ensure the safety of your home. Failure to properly install this product may result in the blistering/discoloration of finishes or wood, damage to items placed above the fireplace, or fire.

The mounting procedure is determined by the appliance, mounting surface, and required clearances to combustible materials. There are two methods detailed below. Modifications to the steps outlined may be necessary depending upon your specific installation requirements.

| STEP 1 | Review the Packing List: Confirm you have all the necessary parts to complete the installation. If you are missing any parts, please call HY-C Customer Service @ 800-325-7076 or email: customerservice@hy-c.com. Do not return the product to the retailer.

FAH-BLK Packing List		
Qty	Description	Part #
1	Hood - Left	FAHL-BLK
1	Hood - Center	FAHC-BLK
1	Hood - Right	FAHR-BLK
2	Hood Support for Masonry Applications	HSG-BLK
1	Hardware Package: Four (4) 1/2" Non-Masonry Screws, Four (4) 1 - 1/4" Masonry Screws	FAH-HDW

| STEP 2 | General Instructions: Please refer to the Owners Manual of your appliance, if available. Mantel clearances are determined by your appliance. If you do not have a copy of the manual, please follow the following guidelines.

- Non-Combustible materials must extend 8" to 12" above the fireplace opening for the entire width of the opening. Any combustible materials within this area could be a fire risk.
- The FAH-BLK is adjustable to fit openings of 28" to 48". CAUTION: Use care when aligning the sections of the hood to not damage the finish. Layout the three sections on a flat surface to achieve the desired length of the hood. For the best appearance, be sure to maintain equal sections on the right and left sides of the center section.

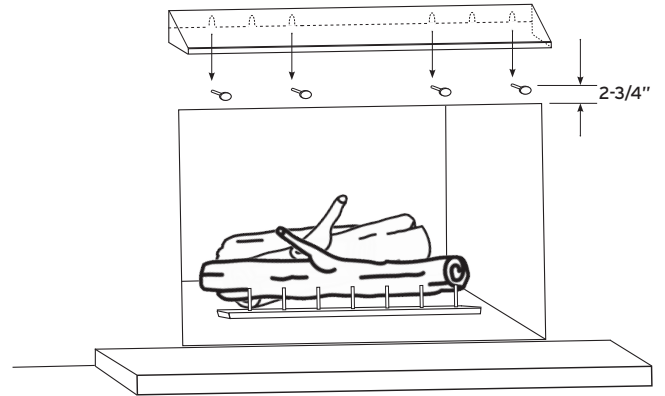
| STEP 3 | Non-Masonry Installations: *[Proceed to STEP 4 for Masonry Applications]*

- Align the FAH-BLK with the top of the fireplace opening and mark the location of the three (3) 1" slots on the underside of the Hood-Left and Hood-Right. There should be six (6) locations marked.
- Select two (2) of the three (3) marks on both the Hood-Left and Hood-Right section that will provide maximum support for the hood.

Adjustable Fireplace Hood (FAH-BLK) Instruction Sheet

| STEP 3 | Continued ... Non-Masonry Installations:

- Measure 2-3/4" above the fireplace opening and install two (2) 1/2" screws for each section. Do not fully tighten the screws.
- Align the FAH-BLK with the screws and allow the selected slots on the hood to slide between the finished surface and screw heads.
- Adjust the hood as necessary to align with fireplace opening and tighten all four (4) screws in both the Hood-Left and Hood-Right.
- Installation is complete.

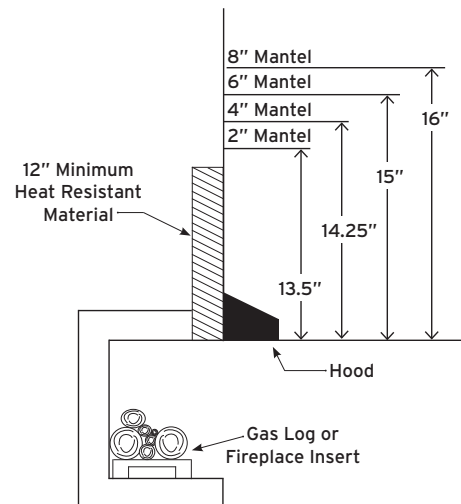


Installing Hood on Non-Masonry Surface

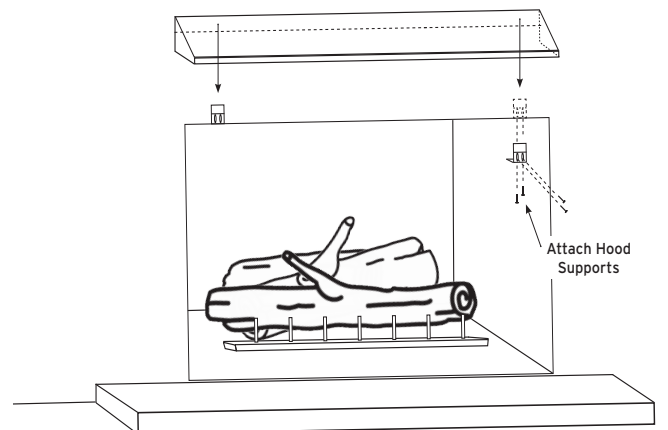
| STEP 4 | Masonry Installations:

[See STEP 3 for Non-Masonry Applications]

- To complete this installation, use the two (2) Hood Supports to attach the hood. The Hood Supports are aligned to support the Hood-Left and Hood-Right Sections and will be attached using two (2) 1-1/4" masonry screws. Use care when installing the masonry screws not to damage the materials. Alternative fasteners may be required if attaching to the steel brick lintel or other materials.
- The Hood Supports are installed with the short leg of the bracket extending into the firebox and the longer arm extending up the face of the non-combustible surface. **IMPORTANT:** If the surface is uneven, be sure the brackets are installed so that the bracket has clearance from the most pronounced surface, 3-1/2" above the fireplace opening. Attach the brackets with two (2) masonry screws, pre-drilling if necessary. **DO NOT** fully tighten the screws so the hood may be adjusted.
- Place the hood onto the installed brackets so that the hood rests on the offsets of the Hood Supports. No screws are necessary to attach the Hood to the Hood Supports. Align the Hood as desired and tighten the four (4) masonry screws installed earlier.
- Installation is complete.



Masonry Surface



Installing Hood on Masonry Surface