

# Rotary Chimney Cleaning System

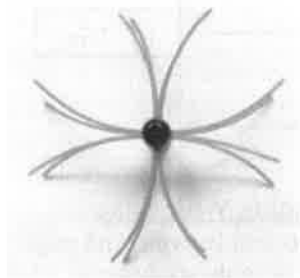
## Operator's Manual

Thank you for purchasing the **SootEater** Rotary Chimney Cleaning System. Please follow the important safeguards and operating instructions included within this manual before operating the system. It may be necessary to reference additional publications to provide further safety and operating procedures.

The **SootEater** System Includes:



1 – Chimney Whip



1 – Drill Adapter  
1- Hex Key



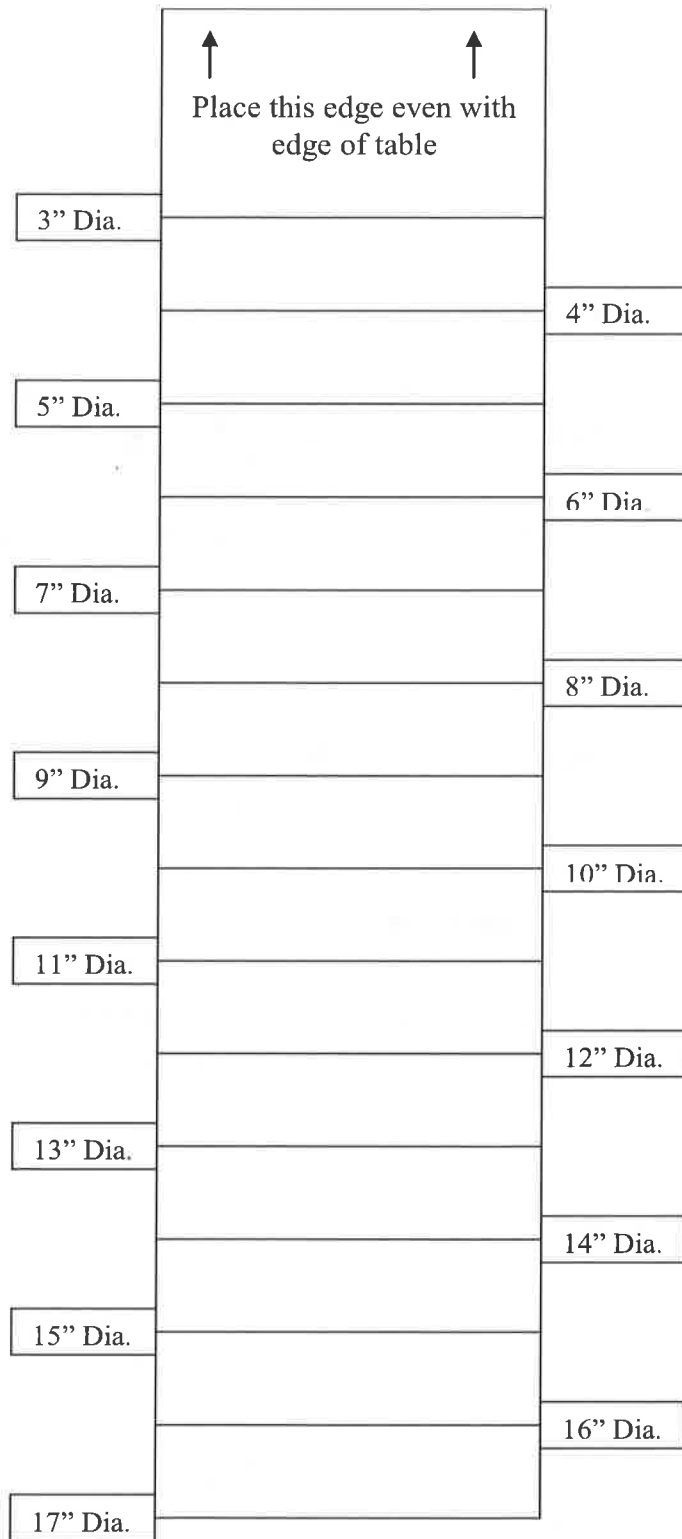
1- Operator's Manual

3' Long Flexible Chimney Rods

Model SLK-24 Includes: 8- 3' rods

Model SLK-33 Includes: 11- 3' rods

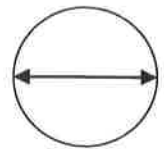
# ChimneyWhip Trim Guide



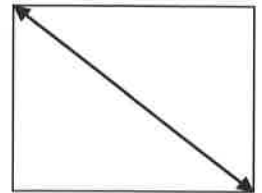
## Measuring Flue

**Cut Whip Line  $\frac{1}{4}$  inch longer than measured flue dimension**

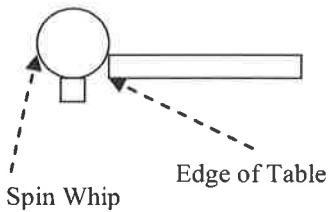
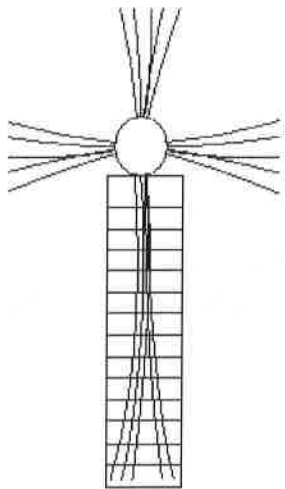
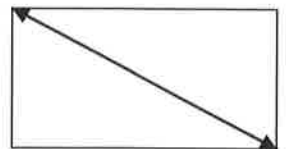
## Round Flues



## Square



## Rectangular



## Instructions for Trimming Whip Line

1. Lay Trim Guide on table with edge of Trim Guide even with edge of table.
2. Touch edge of ChimneyWhip ball to edge of table so that one set of strands lay extended across Trim Guide.
3. Mark each strand at the desired length with pen or marker.
4. Repeat for remaining sets of strands.
5. Cut strands on marked areas.

**Note: For whip line replacement, please see page 7**

# Contents

Why Clean Your Chimney.....	4
When to Inspect & Clean Your Chimney.....	4
Types of Chimney Deposit.....	4
Tools Required.....	4

<b>General Safety &amp; Operating Tips.....</b>	<b>5, 6 &amp; 7</b>
---	---------------------

## Cleaning Wood Stove Chimneys:

Getting Started.....	8
----------------------	---

### **Cleaning Wood Stove Chimneys from “Bottom Up” “With Vacuum”:**

<i>Method 1:</i> Cleaning through stove door opening.....	9
<i>Method 2:</i> Cleaning through stove pipe .....	9
<i>Method 3:</i> Cleaning through chimney cleanout w/vacuum in stove.....	10
<i>Method 4:</i> Cleaning through chimney cleanout w/vacuum in thimble .....	11

### **Cleaning Wood Stove Chimneys from “Bottom Up” “Without a Vacuum”:**

<i>Method 1:</i> Cleaning through stove door or flue pipe opening “without a vacuum” .....	12
<i>Method 2:</i> Cleaning through chimney cleanout “without a vacuum” .....	13
<i>Method 3:</i> Cleaning through chimney cleanout w/thimble sealed off.....	14

<b>Cleaning Wood Stove Chimneys from “<u>Top Down</u>” ” <u>With Vacuum</u>”.....</b>	<b>15</b>
---	-----------

<b>Cleaning Wood Stove Chimneys from “<u>Top Down</u>” “<u>Without Vacuum</u>” .....</b>	<b>16</b>
--	-----------

<b>Finishing up.....</b>	<b>17 &amp; 18</b>
--------------------------	--------------------

## Cleaning Fireplace Chimneys:

Cleaning Fireplace Chimneys from “ <u>Bottom Up</u> ” .....	19 - 21
---	---------

Cleaning Fireplace Chimneys from “ <u>Top Down</u> ” .....	22 - 25
--	---------

<b>Additional Accessories .....</b>	<b>26</b>
-------------------------------------	-----------

**Disclaimer:**

The SootEater is designed to remove light to moderate “Soot” & “Creosote” deposits commonly found in chimneys as a result of burning wood. It is NOT designed for removing “Glaze” deposits, which are very difficult to remove. A professional chimney sweep should be called if glaze deposits are present.

The SootEater is intended for routine maintenance and cleaning of residential chimneys only. It is still necessary to have the complete chimney, fireplace and stove system inspected at least once a year by a professional chimney sweep. It is highly recommended that a “Certified” chimney sweep be used whenever possible.

The instructions in this manual are intended to provide a basic understanding of various types of cleaning methods. It is in no way designed or intended to take the place of a professional chimney sweep or to provide professional knowledge. This manual is NOT a training manual. All results and procedures may vary.

Due to conditions beyond our control HY-C Company and all associates accepts no liability for property damage and/or personal injury due to the operation of these tools and accessories. By using this product the user accepts all responsibility and agrees to use the product at his/her own risk.

**Limited Warranty:**

The SootEater™ and all accessories are designed for homeowner use only. All components are warranted for a period of 90 days from date of purchase. Should any part fail due to manufacturing defect, return the defective part to HY-C Company and we will replace it free of charge. All parts must be returned and inspected to determine part failure. A return authorization number is required prior to returning any item.

HY-C Company does not warranty failure of any part due to operator error. Be sure to read all operating instructions and safety precautions before operating any of the tools.

Manufacturer accepts no liability for property damage or personal injury resulting from the operation of these tools and accessories. This is the full extent of the warranty made by HY-C Company There is no other expressed warranty. All implied warranties are hereby excluded.

### **Why Clean Your Chimney:**

All chimneys need periodic examination and cleaning to reduce the risk of a chimney fire and to ensure that the appliance vents to the outdoors properly. Creosote is flammable and can not only fuel a chimney fire but can also cause blockages, odors, deterioration, and smoking problems.

Periodic cleaning and proper burning throughout the season can help provide trouble-free performance. If a chimney fire has occurred, call a certified chimney professional to have the complete system inspected and any necessary repairs completed before using.

### **When To Inspect & Clean Your Chimney:**

Although frequency of cleaning varies dramatically, the National Fire Protection Association (NFPA) recommends that chimneys be inspected at least once a year and cleaned as necessary. Chimneys should be cleaned when soot and creosote accumulations are ¼ inch or more and when glaze is 1/8 inch or more.

### **Types of Chimney Deposits:**

There are three basic types of chimney deposits:

**Soot** – Soot has a soft, fluffy texture with a black or brown color.

**Creosote** – Creosote is a by-product of incomplete combustion and can form hard brown or black flaky or bubbly deposits.

**Glaze** – Glaze is a black, shiny deposit that is a very tarry type of buildup. It is the most difficult to remove and normally requires the equipment and services of a professional chimney sweep.

## **Tools Required**

- Electric drill “With Clutch”(cordless or w/cord)
- Drop cloth
- Flashlight
- Pliers
- Screwdriver
- Duct tape
- Gloves
- Adequate respirator or dust mask
- Eye protection
- Proper skin protection & clothing
  
- Vacuum w/fine dust filter and HEPA filter  
(Used for sheetrock dust)

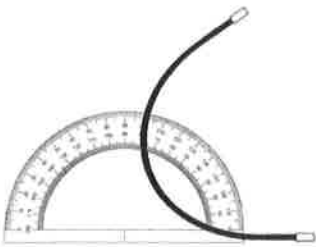


## General Safety & Operating Tips

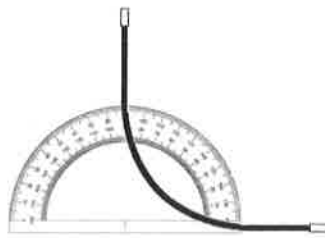
- ❑ Always wear appropriate eye protection, clothing, gloves and respirator or dust mask.
- ❑ Work on ladders and roofs should only be attempted by experienced individuals that have the proper knowledge and ability to execute all safety procedures.
- ❑ Be aware of all electrical hazards when working with ladders and all other equipment.
- ❑ Keep all loose clothing tucked in to prevent being tangled in rotating rods.
- ❑ Add one rod at a time when spinning into chimney.

### CAUTION

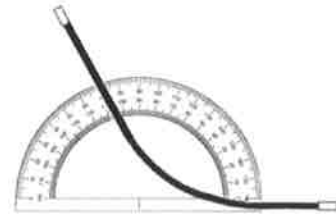
- To avoid rod breakage, never spin rods in sharp/tight bend angles as shown below!
- Always use a "Back & Forth" motion while spinning rods to prevent screws in flue pipe from cutting through rods.



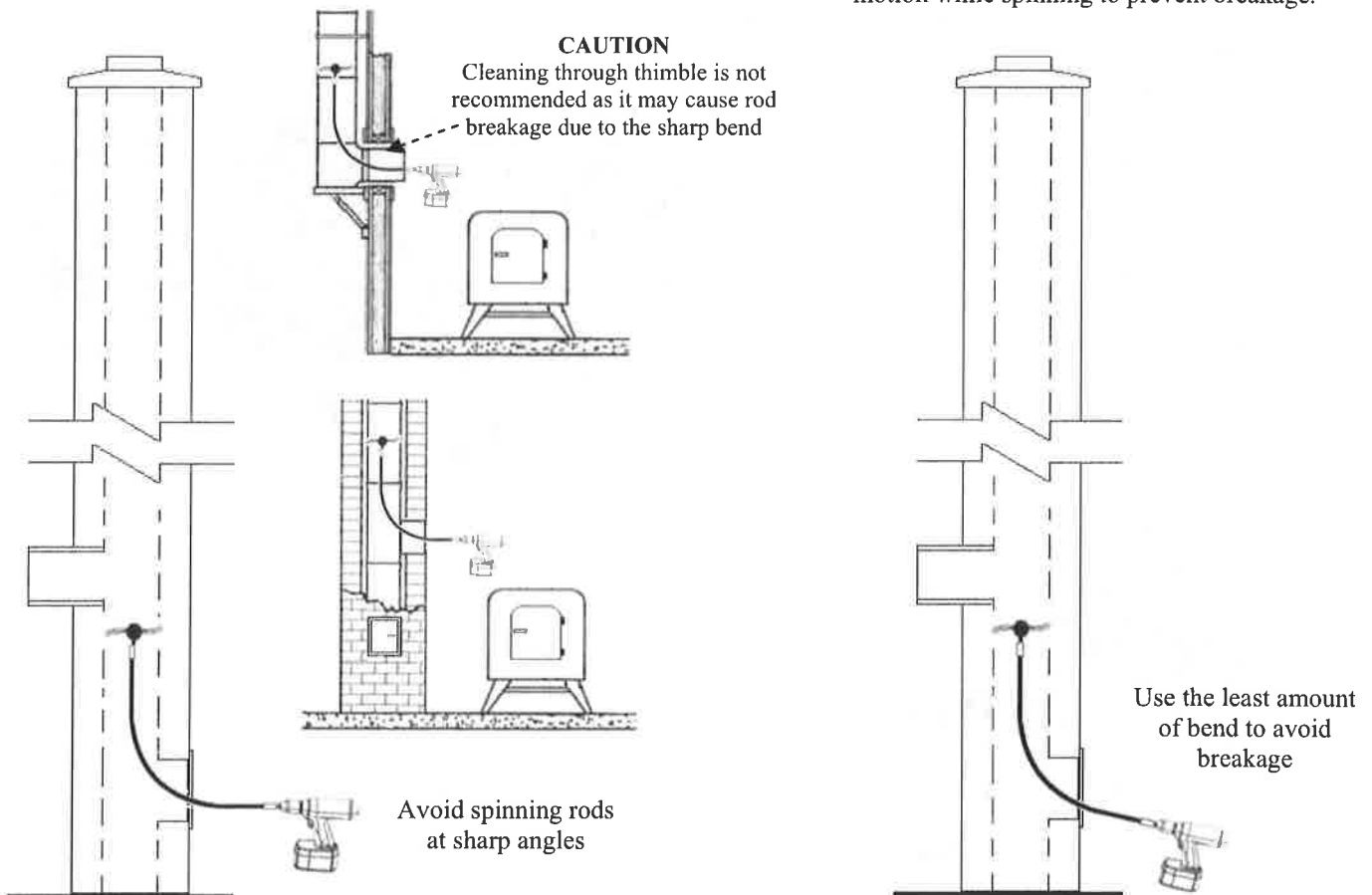
Wrong!  
Rods will break if spun at this tight bend radius.



Not Recommended!  
Rods may break if spun at this angle.



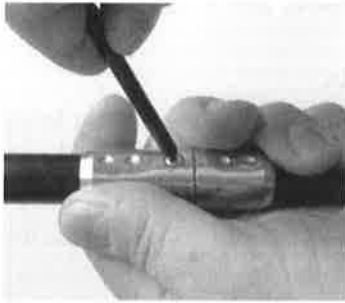
Correct!  
Spin rods at the least amount of angle for best results. Always use a "Back & Forth" motion while spinning to prevent breakage.



## General Safety & Operating Tips (cont.)

### Connecting Rods:

1. Depress button and slip rods together
2. Be sure button is fully engaged and rods are locked together before spinning into chimney.



### Disconnecting Rods:

1. Use pointed end of hex key (included) to depress button. Use a slight angle when depressing button to help push rods apart.

**Caution:** Be very careful not to drop the rods into the chimney if cleaning from the top down.

### How to tell when you've reached the "Top" of the chimney flue:

#### **If cleaning from the bottom up;**

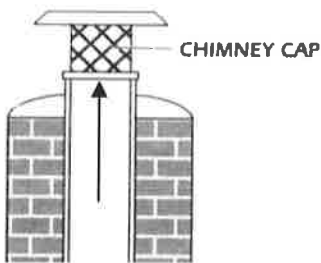
- A. **With rain cap installed:** spin rods and whip up into chimney until you hear & feel the whip contact the under side of cap. Use **caution when approaching the height of the cap. Go slowly when feeding rods upward to prevent pushing cap off chimney.**
- B. **Without rain cap installed:** When the whip exits top of chimney, the rods will spin more freely resulting from less torque on rods.

### How to tell when you've reached the "Bottom" of the chimney flue:

#### **If cleaning from the top down;**

- A. You may want to drop a rope or string down chimney to measure height prior to rotary cleaning. This will indicate how many rods will be needed. Use caution when approaching the bottom of flue to avoid punching through plastic (if used).
- B. You may also lower the whip into the chimney one rod at a time **without spinning** until you reach the bottom and then spin rods as you pull them out of chimney.

### Cleaning the Rain Cap:



Spin the "Chimney Whip" up into the screening of the chimney cap in one direction and then the opposite direction to clean all corners of the cap.

**Note:** Most caps are larger than the chimney flue. It may be necessary to clean cap before trimming whip to fit chimney flue.

**Use caution when approaching the height of the cap. Go slowly when feeding rods upward to prevent pushing cap off chimney.**

# General Safety & Operating Tips (cont.)

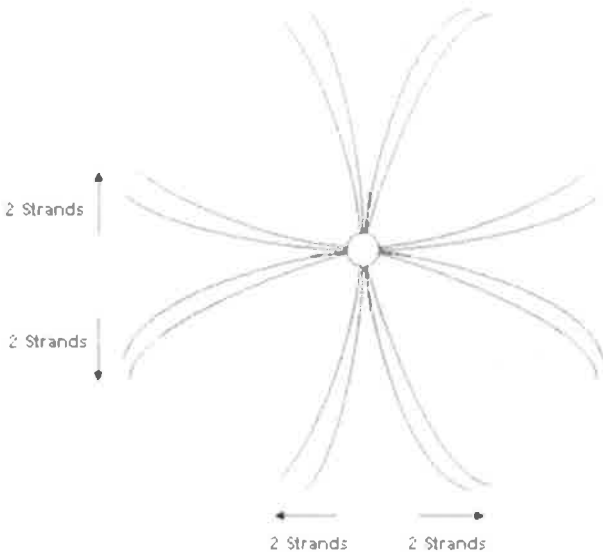
## Replacing Whip Line:

### Removing Old Whip Line:

1. Use 5/32 hex key to loosen set screw (5/16-18 x 1/2"L) located inside steel fitting on whip head.
2. If whip line is hard to pull out of whip head, use a small "flat blade" screwdriver on the top & bottom of each hole to help flatten the metal sleeve around whip line.
3. Once whip line is removed from ball, use screwdriver to push metal sleeve out of whip head.



Use .105" dia. "Star" shaped trimmer line



### Inserting New Whip Line:

1. Cut 8 strands of .105" dia. trimmer line to a length of 9" or to desired length to meet your needs depending on flue dimension.
2. Place whip head on solid flat surface with the fitting facing "up".
3. Insert 4 strands through holes in whip head. Be sure metal sleeve is on bottom set of strands and centered in head.
4. If no metal sleeves were used around whip line, place 4 strands into each hole of whip head and proceed to next step.
5. Center strands in whip head and follow pattern to left.
6. Hold strands firmly in place while tightening the set screw with hex key.
7. Trim whip line to desired length using trim guide on page 1.

## Sealing openings with plastic:

1. Cut plastic to fit over opening.
2. Cut hole in plastic if inserting vacuum hose or rod through plastic. Keep hole slightly smaller than object being inserted through hole.
3. Use duct tape to seal edges of plastic and around all other



objects.



# Cleaning Wood Stove Chimneys

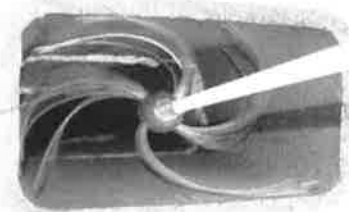
## Important:

- Read all safety precautions & operating instructions before starting.
- Be sure entire stove & chimney are completely cooled down.
- Do Not attempt to clean any chimney if there is a down draft. (air blowing back into the home)
- Wear proper eye protection and respirator as well as protective clothing.
- Exercise proper ladder safety & operating techniques.
- If the stove cannot be accessed for cleaning and removal of loosened soot, take precautions to prevent soot from falling into areas within the stove that may not be accessible while you're rotary cleaning the chimney.
- **Only use a shop vacuum with a fine dust filter (used for sheetrock dust) and a HEPA filter installed when working inside your home to control dust!!**
- **You may also leave the vacuum outside and run the vacuum hose to the inside.**

## Getting Started:

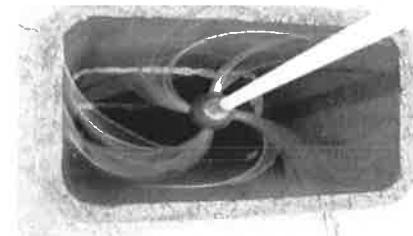
1. Lay drop cloth on floor to protect work area in front of fireplace opening.
2. **Initial Inspection:** Open damper or completely remove and look into chimney with a flashlight. Determine type of soot build-up in chimney and configuration of smoke chamber and flue.  
**Important Note:** If black shiny glazing is present, it will be necessary to have the chimney inspected and possibly cleaned by a professional chimney sweep.
3. Once you have chosen a cleaning method from the following pages and have taken all precautions to control the dust while cleaning, trim the "Chimney Whip" to the proper size to fit the inside dimension of your chimney. (See "Trim Guide" on page 1)
4. Attach the "Chimney Whip" to one rod and then feed the whip into the chimney flue.
5. Insert the "Drill Adapter" into the drill and begin spinning the whip upward into the chimney flue one rod at a time with a back and forth motion.

**Spin whip in both directions to clean square & rectangular flues**



### **Square & Rectangular Flues:**

6. If chimney flue is square or rectangular, spin whip in one direction the whole length of one rod, then reverse direction of drill and spin whip in opposite direction while working the rod in and out to clean opposite corners of the flue. Repeat this method for each rod added until you reach the top of chimney flue.

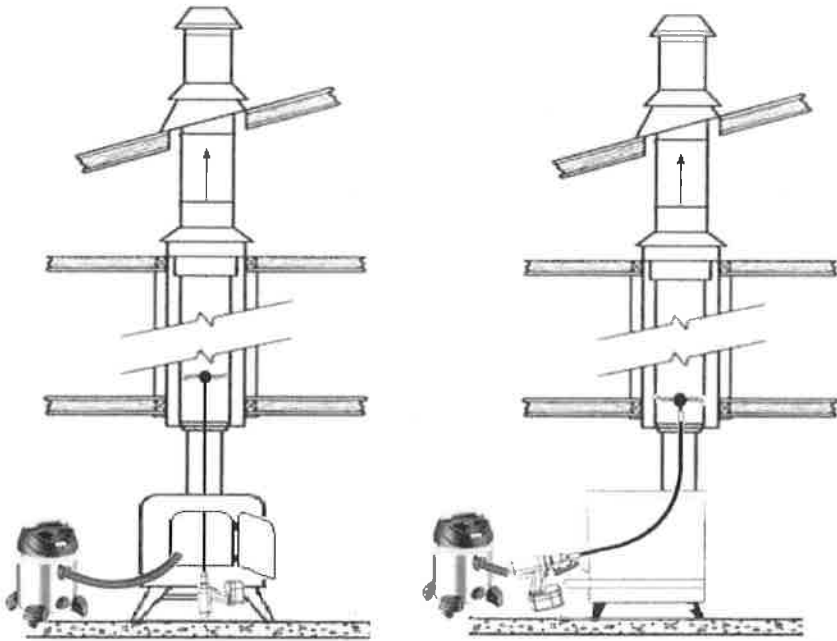


# Cleaning Wood Stove Chimneys from the “Bottom Up” “Using a Vacuum”

## Method 1:

### **Cleaning Through Stove Door Opening:**

Caution: This method can only be used if you have direct access to the chimney flue from inside the stove without creating a tight bend radius while cleaning.



**Step 1- Important:** Read all information on pages 5, 6, 7 & 8 before proceeding.

**Step 2-** Insert vacuum hose into stove.

**Step 3-** Feed rods & whip into flue.

**Step 4-** Turn on vacuum.

**Step 5-** Seal off part of opening with plastic & duct tape if necessary.

**Step 6-** Rotary clean through stove and up into stove pipe and chimney flue.

**Caution:**

- Always use a “Back & Forth” motion while spinning rods to prevent screws in flue pipe from cutting through rods.
- Always spin rods at angles “less than 90 deg.”

**Step 7-** See pages 17 & 18 for instructions on finishing up.

## Method 2:

### **Cleaning Through Stove Pipe:**

**Step 1- Important:** Read all information on pages 5, 6, 7 & 8 before proceeding.

**Step 2-** Remove elbow or “Tee” fitting connecting stove to vertical flue pipe.

**Step 3-** Insert vacuum hose into stove pipe & secure.

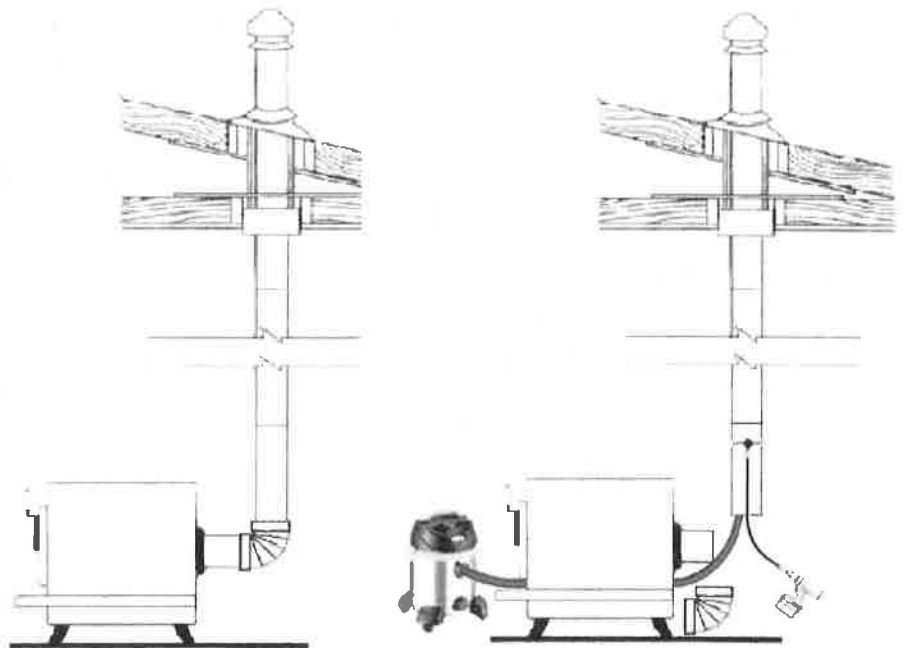
**Step 4-** Feed rods & whip into flue.

**Step 5-** Turn on vacuum.

**Step 6-** Seal off part of opening with plastic & duct tape if necessary.

**Step 7-** Rotary clean through stove pipe and up into chimney flue.

**Step 8-** See pages 17 & 18 for instructions on finishing up.



# Cleaning Wood Stove Chimneys from the "Bottom Up" "Using a Vacuum" (cont.)

## Method 3:

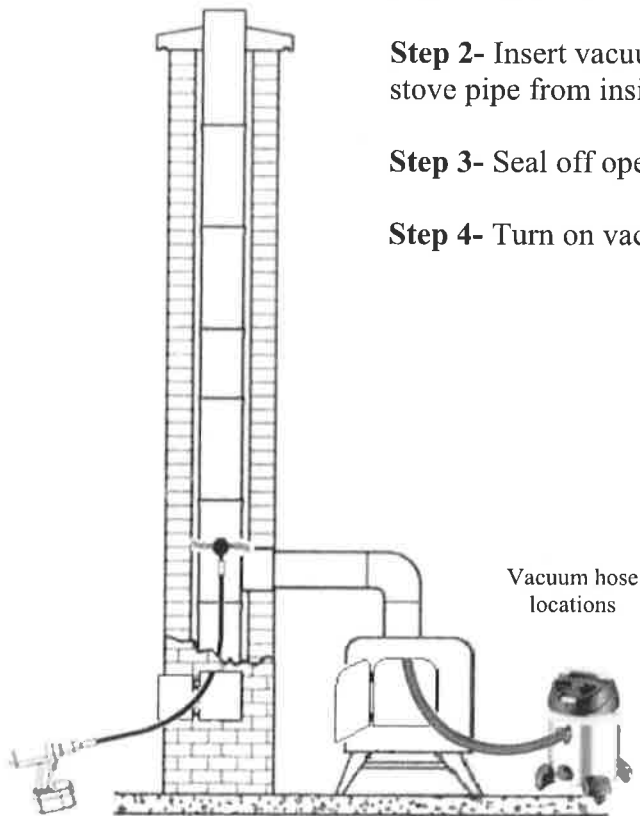
### Cleaning through Chimney Cleanout w/Vacuum Placed in Stove

**Step 1- Important:** Read all information on pages 5, 6, 7 & 8 before proceeding.

**Step 2-** Insert vacuum hose into stove or into stove pipe from inside stove.

**Step 3-** Seal off opening with plastic & duct tape.

**Step 4-** Turn on vacuum.

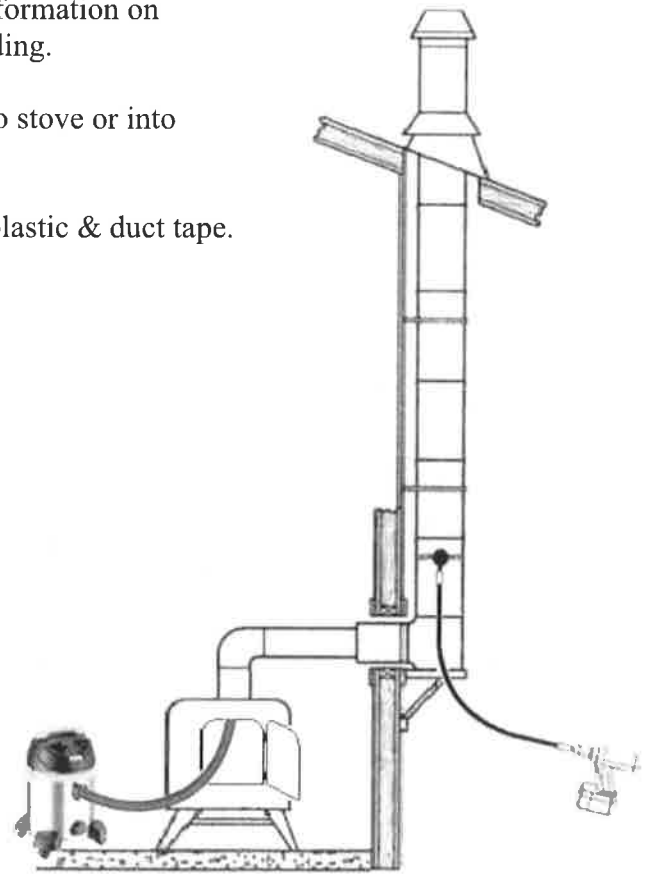


#### Cleaning Through Clean Out Door

**Step 5-** Open cleanout; insert whip and rod into flue.

**Step 6-** Rotary clean through cleanout door from bottom up.

**Step 7-** See pages 17 & 18 for instructions on finishing up.



#### Cleaning Through Clean Out Tee

**Step 5-** Remove tee cover.

**Step 6-** Insert whip & rod into flue.

**Step 7-** Seal bottom of tee w/plastic. Poke hole in plastic, then feed rod through before sealing completely.

**Step 8-** Rotary clean through bottom of tee

**Step 9-** See pages 17 & 18 for instructions on finishing up.

# Cleaning Wood Stove Chimneys from the “Bottom Up” “Using a Vacuum” (cont.)

## Method 4:

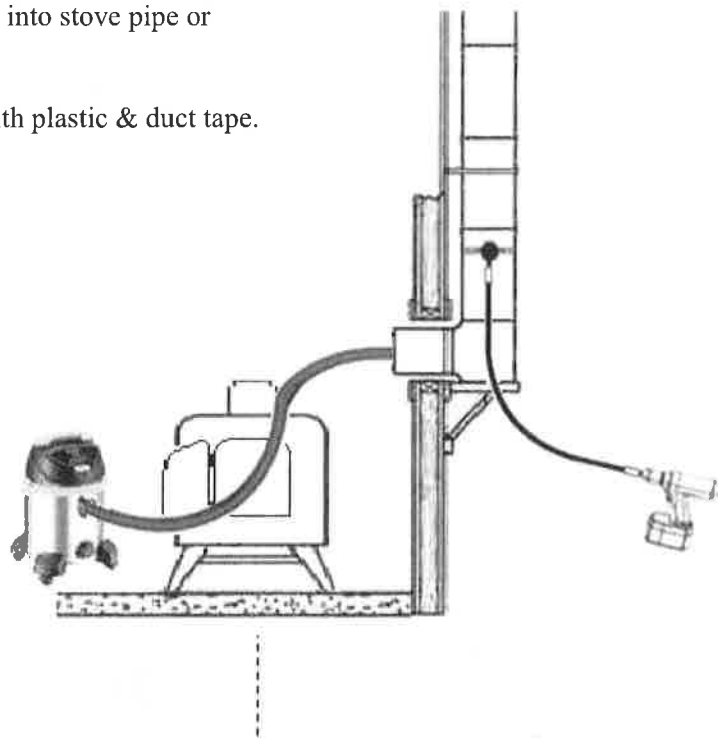
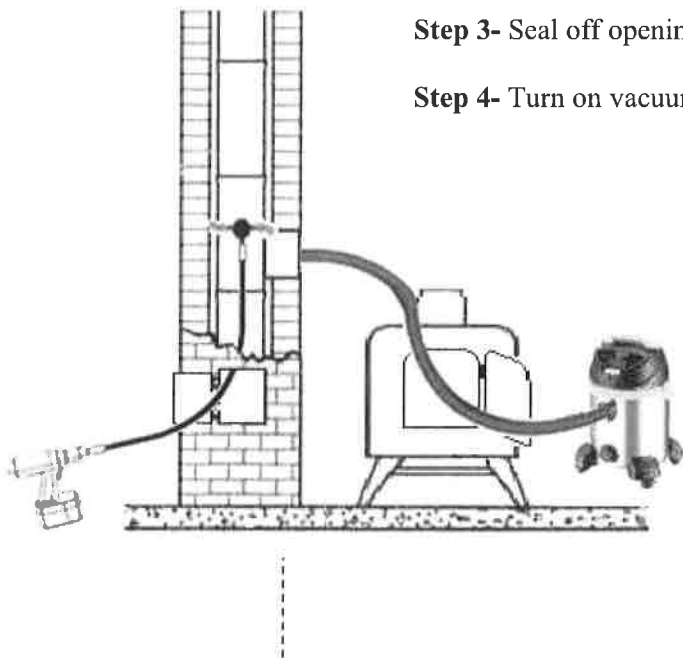
### Cleaning through Chimney Cleanout w/Vacuum in Thimble

**Step 1- *Important:*** Read all information on pages 5, 6, 7 & 8 before proceeding.

**Step 2-** Insert vacuum hose into stove pipe or thimble.

**Step 3-** Seal off opening with plastic & duct tape.

**Step 4-** Turn on vacuum.



**Step 5-** Open cleanout; insert whip and rod into flue.

**Step 6-** Rotary clean through cleanout door from bottom up.

**Step 7-** See pages 17 & 18 for instructions on finishing up.

**Step 5-** Remove tee cover.

**Step 6-** Insert whip & rod into flue.

**Step 7-** Seal bottom of tee w/plastic. Poke hole in plastic, then feed rod through before sealing completely.

**Step 8-** Rotary clean through bottom of tee

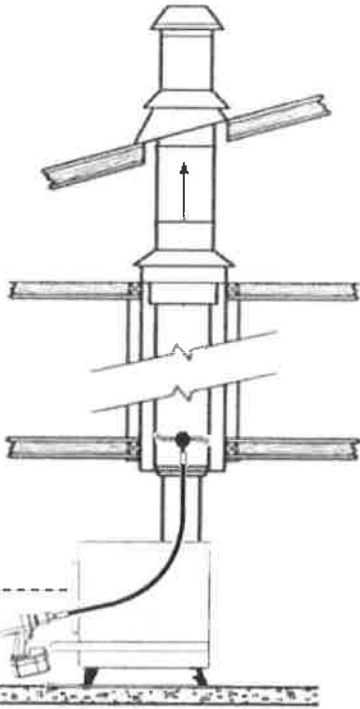
**Step 9-** See pages 17 & 18 for instructions on finishing up.

# Cleaning Wood Stove Chimneys from the “Bottom Up” “Without Vacuum”

## Method 1:

### Cleaning Through Stove Door Opening (Without Vacuum):

Caution: This method can only be used if you have direct access to the chimney flue from inside the stove without creating a tight bend radius while cleaning.



**Step 1- Important:** Read all information on pages 5, 6, 7 & 8 before proceeding.

**Step 2-** Feed rods & whip into flue through stove opening or into bottom of vertical flue as shown in diagrams.

**Step 3-** Seal off part (or all) of opening with plastic & secure with duct tape.

**Note:** Make a small hole in center of plastic and feed rod through hole before sealing.

**Step 4-** Rotary clean through stove and up into stove pipe and chimney flue.

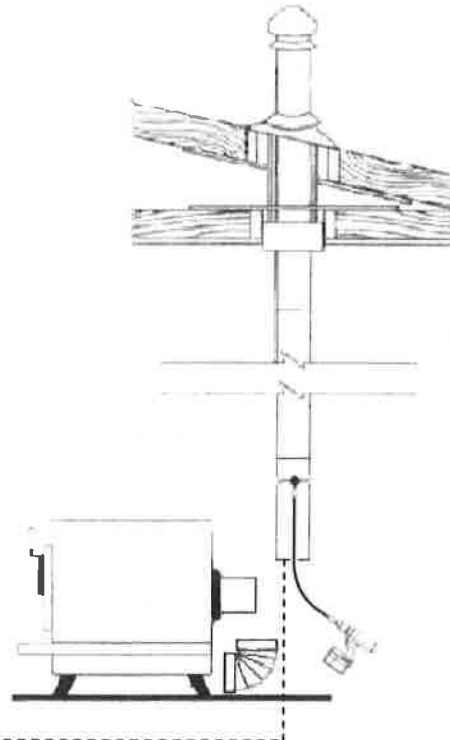
**Caution:**

- Always use a “Back & Forth” motion while spinning rods to prevent screws in flue pipe from cutting through rods.
- Always spin rods at angles “less than 90 deg.

**Step 5-** See pages 17 & 18 for instructions on finishing up.



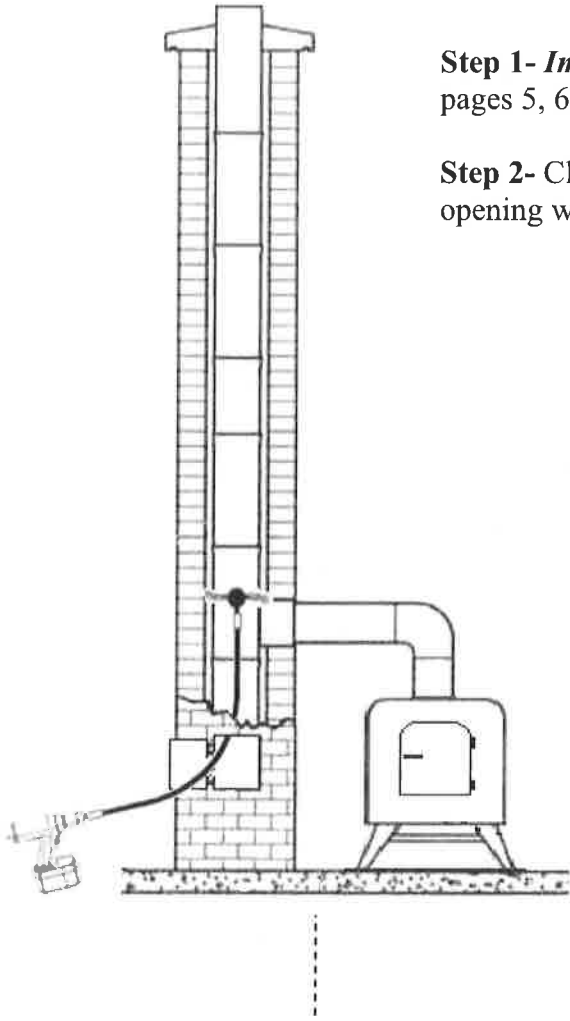
Seal stove opening or bottom of vertical flue pipe with plastic to help contain dust while rotary cleaning



# Cleaning Wood Stove Chimneys from the “Bottom Up” “Without Vacuum”(Cont.)

## Method 2:

### Cleaning through Chimney Cleanout “Without a Vacuum”:



**Step 1- Important:** Read all information on pages 5, 6, 7 & 8 before proceeding.

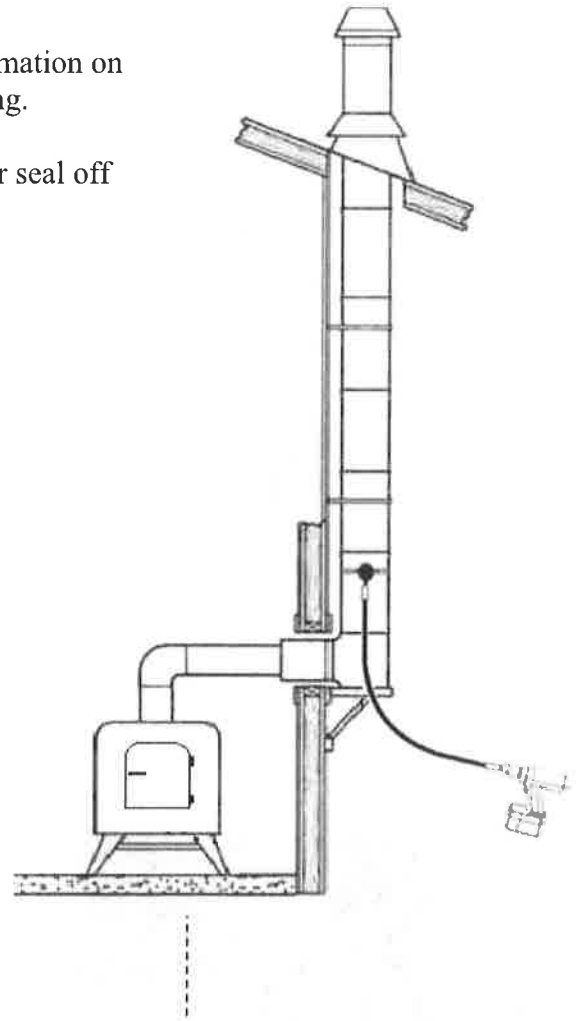
**Step 2-** Close stove door tightly or seal off opening with plastic & duct tape.

**Step 3-** Open cleanout; insert whip and rod into flue.

**Step 4-** Seal cleanout door w/plastic. Poke hole in plastic, then feed rod through before sealing completely.

**Step 5-** Rotary clean through cleanout door from bottom up.

**Step 6-** See pages 17 & 18 for instructions on finishing up.



**Step 3-** Remove tee cover.

**Step 4-** Insert whip & rod into flue.

**Step 5-** Seal bottom of tee w/plastic. Poke hole in plastic, then feed rod through before sealing completely.

**Step 6-** Rotary clean through bottom of tee

**Step 7-** See pages 17 & 18 for instructions on finishing up.

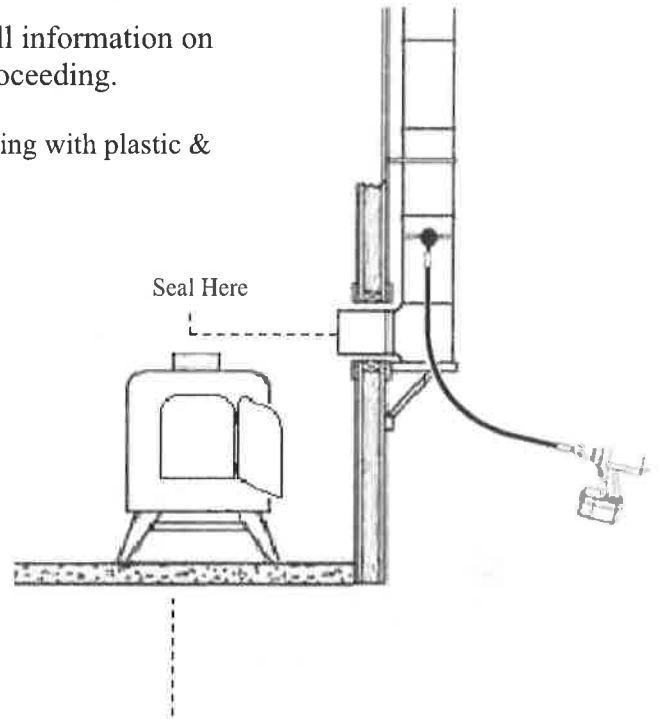
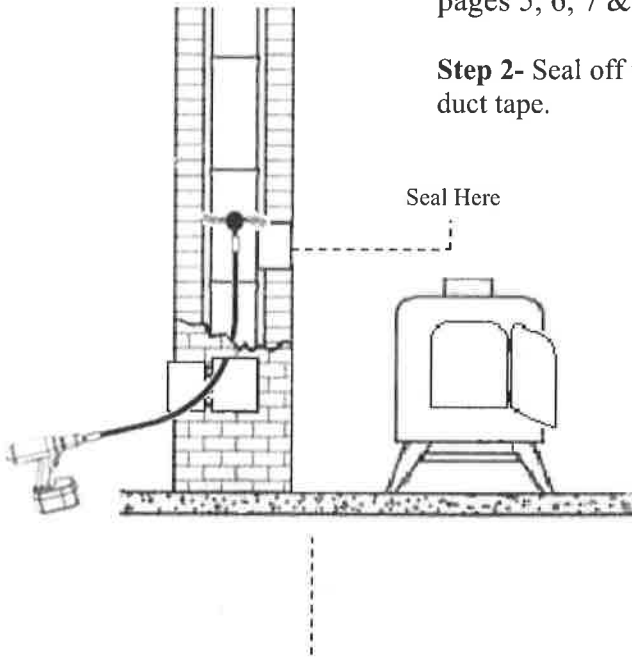
# Cleaning Wood Stove Chimneys from the “Bottom Up” “Without Vacuum”(Cont.)

## Method 3:

### Cleaning through Chimney Cleanout w/Thimble Sealed Off

**Step 1- Important:** Read all information on pages 5, 6, 7 & 8 before proceeding.

**Step 2-** Seal off thimble opening with plastic & duct tape.



**Step 3-** Open cleanout; insert whip and rod into flue.

**Step 4-** Seal cleanout door w/plastic. Poke hole in plastic, then feed rod through before sealing completely.

**Step 5-** Rotary clean through cleanout door from bottom up.

**Step 6-** See pages 17 & 18 for instructions on finishing up.

**Step 3-** Remove tee cover.

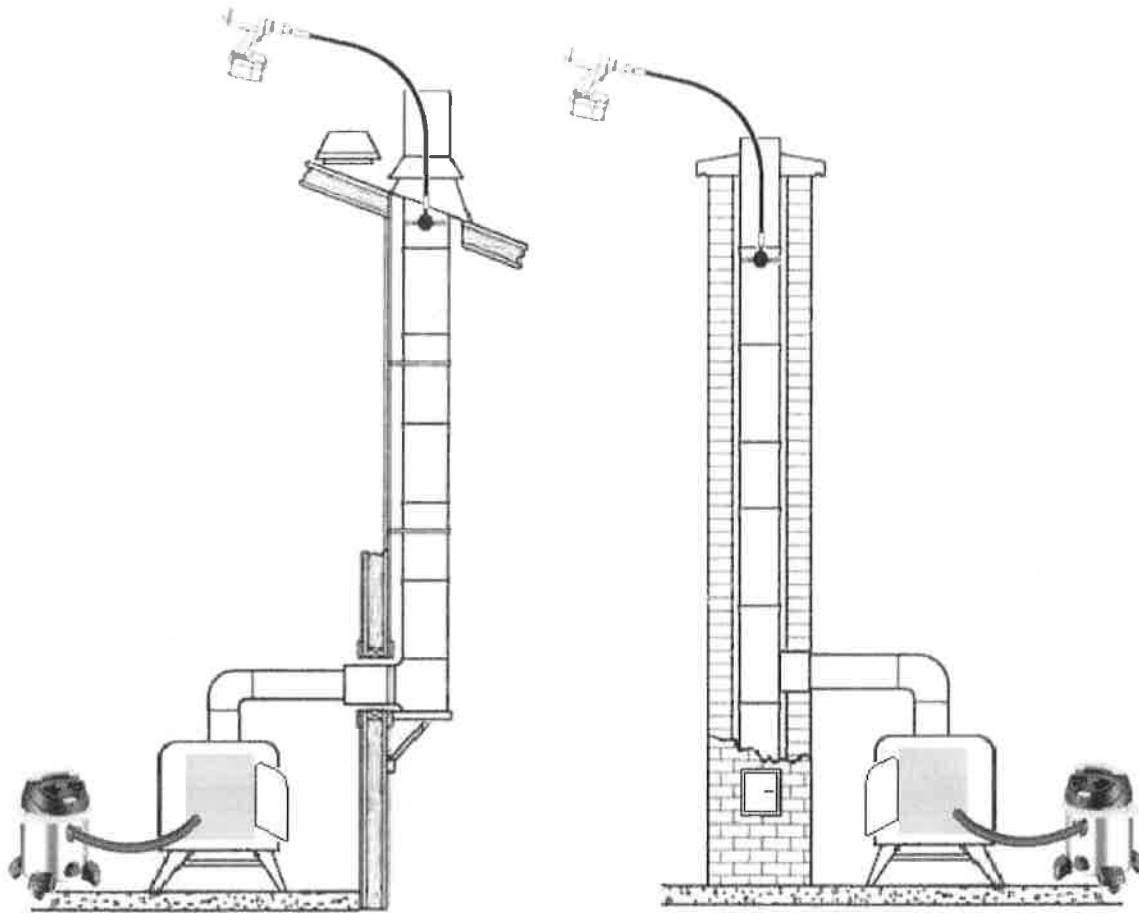
**Step 4-** Insert whip & rod into flue.

**Step 5-** Seal bottom of tee w/plastic. Poke hole in plastic, then feed rod through before sealing completely.

**Step 6-** Rotary clean through bottom of tee

**Step 7-** See pages 17 & 18 for instructions on finishing up.

## Cleaning Wood Stove Chimneys from the “Top Down” “With Vacuum”



**Step 1- Important:** Read all information on pages 5, 6, 7 & 8 before proceeding.

**Step 2-** Cover stove opening with plastic and seal with duct tape.

**Step 3-** Cut hole in plastic slightly smaller than vacuum hose O.D. then insert vacuum hose through plastic and into stove.

**Step 4-** Seal around vacuum hose with duct tape and turn on vacuum.

**Note:** This method can also be used to place vacuum hose into the chimney cleanout or tee.

**Step 5-** Insert whip & rod into chimney flue and begin spinning down into flue.

**Important Note:** Be very careful when adding or removing rods to prevent dropping them into flue. Stay up wind of dust while rotary cleaning.

**Step 6-** See pages 17 & 18 for instructions on finishing up.



# Cleaning Wood Stove Chimneys from the “Top Down” “Without Vacuum”

**Step 1- Important:** Read all information on pages 5, 6, 7 & 8 before proceeding.

**Step 2-** Close stove door and make sure all cleanout tees and doors are sealed tightly. If in doubt, seal all areas with plastic & duct tape. This goes for all stove pipe connectors as well.

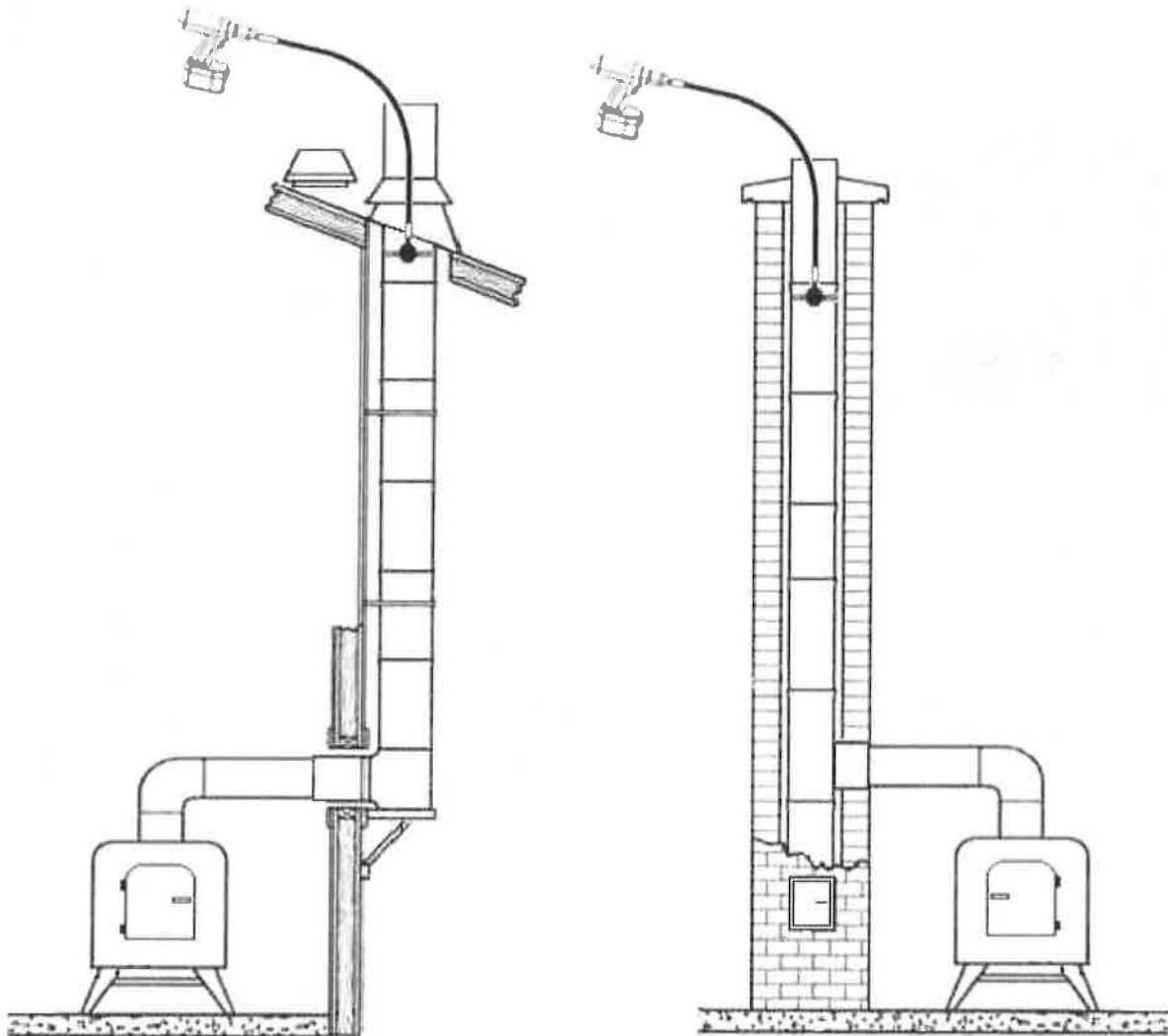
**Step 3-** Remove rain cap if applicable.

**Step 4-** Insert whip & rod into chimney flue and begin spinning.

**Important Note:** Be very careful when adding or removing rods to prevent dropping them into flue.

Stay up wind of dust while rotary cleaning.

**Step 5-** See pages 17 & 18 for instructions on finishing up.



## Finishing Up

### Once the chimney has been cleaned:

1. **Visual Inspection:** Use a powerful flashlight and a mirror if necessary to look into the chimney to make sure you have cleaned it completely.
2. **Remove all connector pipes** from the stove to the chimney and clean them in the same manner as mentioned above for cleaning the chimney. Be sure to take all of the same precautions for containing dust as mentioned above.
3. **Clean Stove Interior:** Remove all components of the stove necessary to clean and remove all debris from inside the stove. (refer to the manual that came with your stove for details)

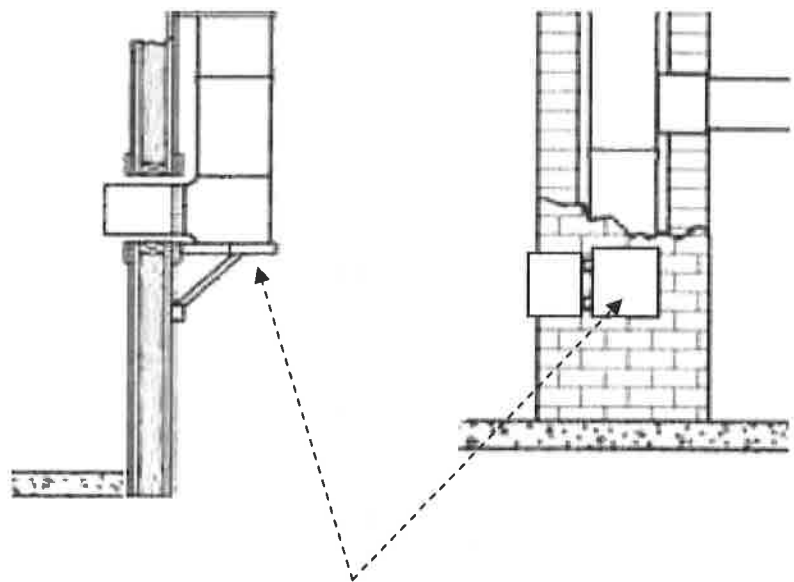
Take precautions to prevent soot from falling into areas within the stove that may not be accessible.



4. **Remove All Debris from Stove:** Once all areas of the stove interior and chimney flue are clean, remove all debris from inside stove. **Note:** If you don't have a vacuum, be extremely careful. Move slowly to minimize dust.

5. **Remove All Debris from Base of Chimney:** Remove debris from base of chimney through cleanout door or cleanout tee.

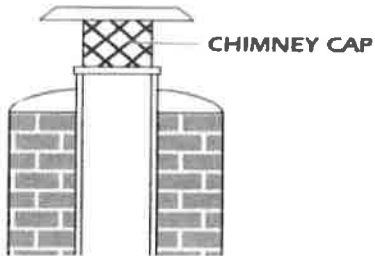
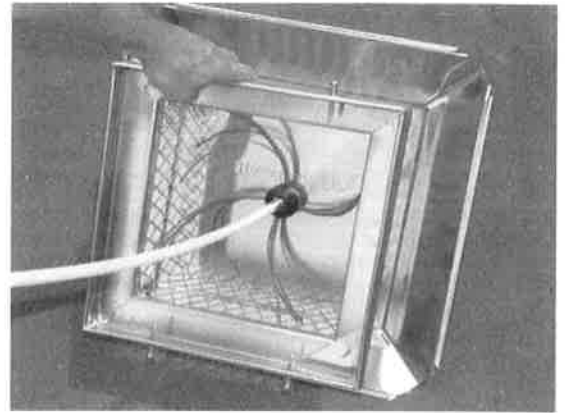
**Note:** Again, if you don't have a vacuum, be extremely careful. Move slowly to minimize dust.



**Remove Debris through Cleanout**

## Cleaning Chimney Cap:

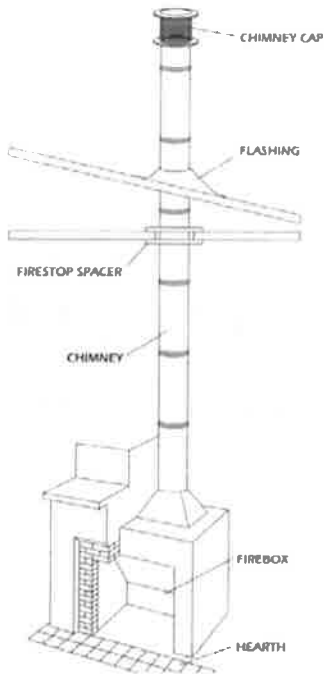
1. **Cleaning the rain cap:** Spin the “Chimney Whip” into the screening of the chimney cap in one direction and then the opposite direction to clean all corners of the cap. To clean the under side of the chimney cap lid, use either the whip or a hand brush to remove debris.



**Re-Install cap**

# Cleaning Masonry & Pre-Fab Fireplace Chimneys from the “Bottom Up”

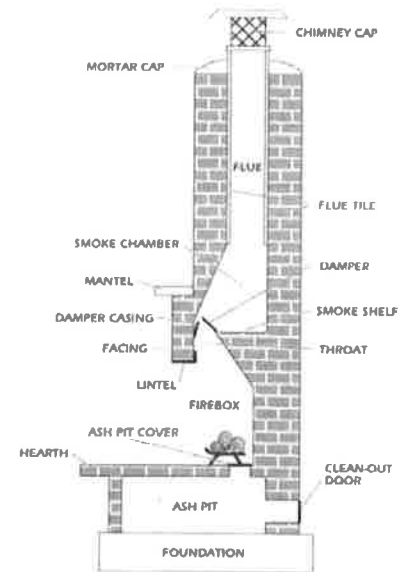
## Typical Pre-Fab Fireplace



### Important:

- Read all safety & operating tips on pages 5, 6 & 7 before starting.
- Be sure entire fireplace & chimney are completely cooled down.
- Do Not attempt to clean any chimney if there is a down draft. (air blowing back into the home)
- Wear proper eye protection and respirator as well as protective clothing.
- Exercise proper ladder safety & operating techniques.

## Typical Masonry Fireplace



## Getting Started:

1. Lay drop cloth on floor to protect work area in front of fireplace opening.
2. **Initial Inspection:** Open damper or completely remove and look into chimney with a flashlight. Determine type of soot build-up in chimney and configuration of smoke chamber and flue.

**Important Note:** If black shiny glazing is present, it will be necessary to have the chimney inspected and possibly cleaned by a professional chimney sweep.

### 3. **Methods used to help Control Dust:**

#### Using Vacuum;

##### **Method 1:**

- a) Cover fireplace opening with plastic. Use duct tape to seal edges and all uneven surfaces around fireplace opening.
- b) Cut hole in plastic, insert vacuum hose through plastic and into firebox. Be sure to seal tightly around vacuum hose. Turn vacuum on. (Do not completely seal top corner of plastic yet)



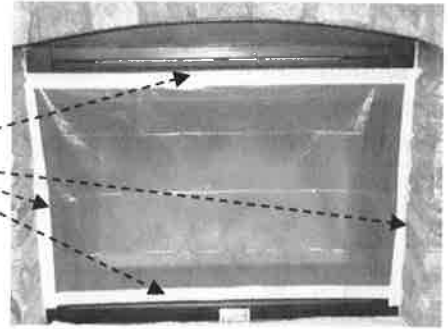
#### **Note:**

Only use a shop vacuum with a fine dust filter (used for sheetrock) and a HEPA filter installed when working inside home to control dust!!

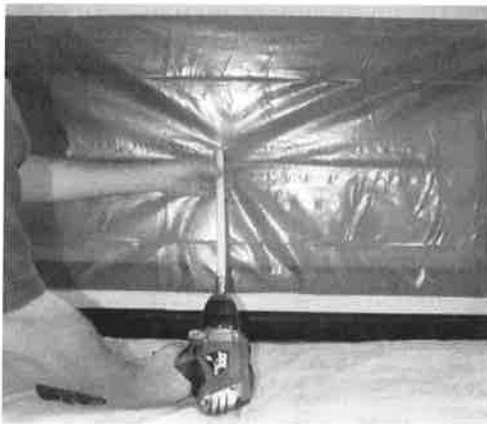
# Cleaning Masonry & Pre-Fab Fireplace Chimneys from the “Bottom Up”(cont.)

## If You Don't Have a Vacuum:

If you don't have a vacuum, open damper, cover fireplace opening with plastic. Use duct tape to seal around edges to contain dust while rotary cleaning.  
(Do not completely seal top corner of plastic yet)

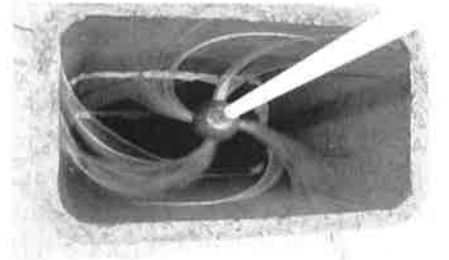
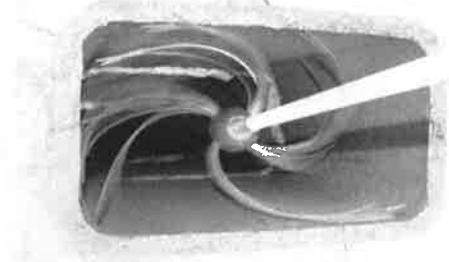


4. Trim “Chimney Whip” to fit the inside dimension of your chimney. (See “Trim Guide on inside front cover)



5. Cut small slit in plastic near the middle of fireplace opening.
6. Attach whip to end of one rod. Feed opposite end of rod through plastic from inside firebox leaving whip inside firebox.
7. Finish sealing plastic tightly around fireplace opening.
8. Insert “Drill Adapter” into drill.
9. Attach rod to drill. Feed whip into chimney flue and begin spinning whip up into chimney flue one rod at a time with a back and forth motion.

## **Spin whip in both directions to Clean square & rectangular flues**



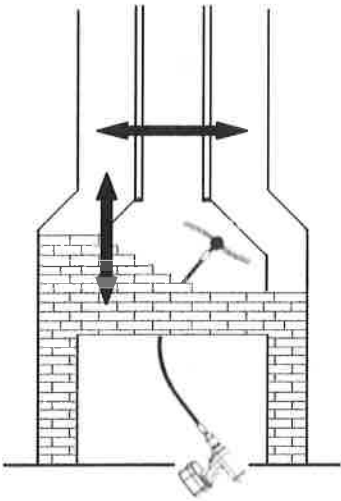
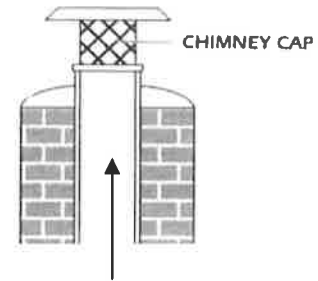
## **Square & Rectangular Flues:**

10. If chimney flue is square or rectangular, spin whip in one direction the whole length of one rod, then reverse direction of drill and spin whip in opposite direction while working the rod in and out to clean opposite corners of the flue. Repeat this method for each rod added until you reach the top of chimney flue.

# Cleaning Masonry & Pre-Fab Fireplace Chimneys from the “Bottom Up” (cont.)

11. **Cleaning the Rain Cap:** Spin the “Chimney Whip” up into the screening of the chimney cap in one direction and then the opposite direction to clean all corners of the cap.

**Note:** Most caps are larger than the chimney flue. It may be necessary to clean cap before trimming whip to fit chimney flue.

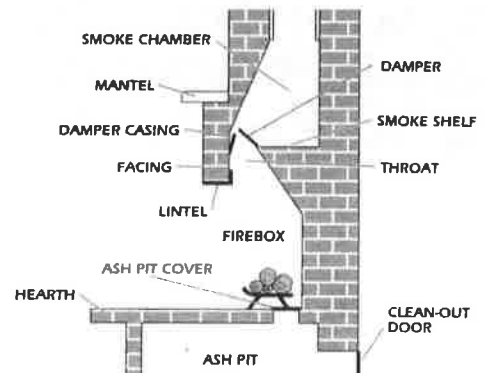


12. **Cleaning Smoke Chamber:** Once chimney flue is clean, begin rotary cleaning smoke chamber. Use an Up and Down motion as well as a Side to Side motion while cleaning. Reverse drill to get complete cleaning action in opposite corners.

**Note:** Many Pre-Fab fireplaces don't have a smoke chamber but do require cleaning in the areas leading into the flue. A paint brush works well for these flat areas.

13. **Clean the Smoke Shelf:** Once the smoke chamber is clean, remove all debris from the smoke shelf using the vacuum or use a brush to scrape off the debris into a pile inside the firebox. It may be necessary to remove damper plate.

**Note:** If you don't have a vacuum, be extremely careful. Move slowly to minimize dust. Make sure there is an updraft in chimney to help prevent dust from entering room.



14. **Re-install damper plate.**

15. **Clean the Firebox:** Use a scrub brush or wire brush to remove all deposits from the walls of the firebox and damper area.

16. **Visual Inspection:** Again, use a powerful flashlight, and mirror if necessary, to look into chimney, smoke chamber and smoke

shelf to make sure they are cleaned completely.



17. **Finishing up:** Once all areas of the fireplace chimney are clean, remove all debris from inside the firebox.

**Note:** Again, if you don't have a vacuum, be extremely careful. Move slowly to minimize dust.

# Cleaning Masonry & Pre-Fab Fireplace Chimneys from the "Top Down"

## Important:

- Read all safety & operating tips on pages 5, 6 & 7 before starting.
- Be sure that the fireplace & chimney are completely cooled down.
- Do Not attempt to clean chimney if there is a down draft (air blowing back into home)
- Wear proper eye protection and respirator as well as protective clothing.
- Exercise proper ladder safety & operating techniques.



## Getting Started:

1. Lay drop cloth on floor to protect work area in front of fireplace opening.
2. **Initial Inspection:** Open damper or completely remove and look into chimney with a flashlight. Determine type of soot build-up in chimney and configuration of smoke chamber and flue.

**Important Note:** If black shiny glazing is present, it will be necessary to have the chimney inspected and possibly cleaned by a professional chimney sweep.



## **3. Methods used to help Control Dust:**

### Using a Vacuum;

#### **Method 1:**

- a) Cover fireplace opening with plastic. Use duct tape to seal edges and all uneven surfaces around fireplace opening.
- b) Cut hole in plastic, insert vacuum hose through plastic and into firebox. Be sure to seal tightly around vacuum hose. Turn vacuum on.

#### **Note:**

Only use a shop vacuum with a fine dust filter (used for sheetrock) and a HEPA filter installed when working inside your home to control dust!!

# Cleaning Masonry & Pre-Fab Fireplace Chimneys from the “Top Down”(cont.)

## If You Don't Have a Vacuum:

If you don't have a vacuum, shut damper, cover fireplace opening with plastic. Use duct tape to seal around edges to contain dust while you sweep.

4. Trim “Chimney Whip” to fit the inside dimension of your chimney. (See “Trim Guide” on inside front cover)
5. Go to roof.  
Use Extreme Caution when using ladders and working on roof.
6. If there is a rain cap installed, remove lid or remove entire cap completely.



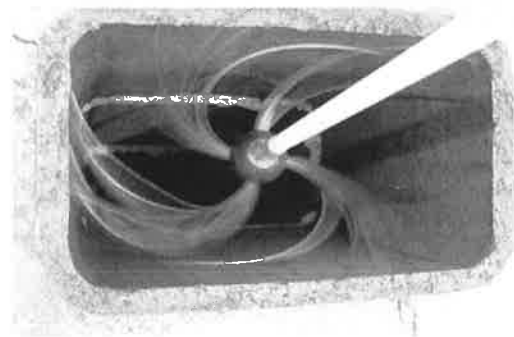
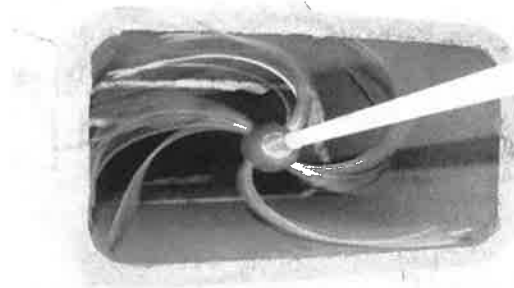
7. Insert “Drill Adapter” into drill.
8. Attach “Chimney Whip” to one rod, and then connect rod to drill. Feed whip into chimney flue and begin spinning whip downward into chimney flue one rod at a time with a back and forth motion.

**Spin whip in both directions to Clean square & rectangular flues**



## **Square & Rectangular Flues:**

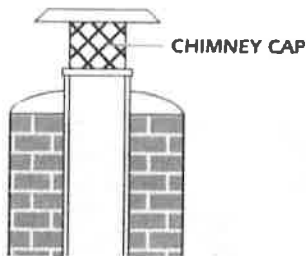
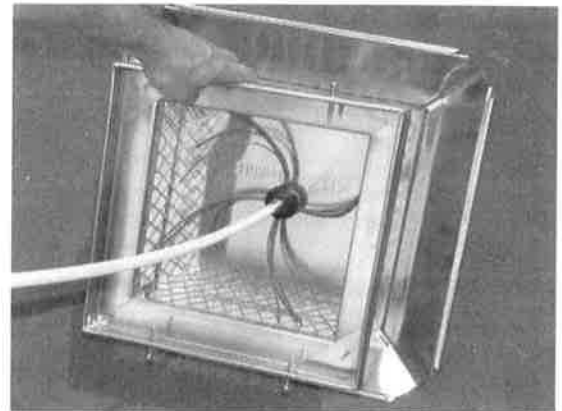
9. If the chimney flue is square or rectangular, spin drill in one direction the whole length of one rod, then reverse direction of drill and spin drill while working rod in and out of flue to clean opposite corners and sides of flue. Repeat this method for each rod added until you reach the bottom of the chimney flue.





# Cleaning Masonry & Pre-Fab Fireplace Chimneys from the “Top Down”(cont.)

10. **Cleaning the rain cap:** Spin the “Chimney Whip” into the screening of the chimney cap in one direction and then the opposite direction to clean all corners of the cap:  
To clean the under side of the chimney cap lid, use either the whip or a hand brush to remove debris.



11. **Once Flue is Clean,** use a powerful flashlight, and mirror if necessary) to look down into the chimney to make sure you’ve cleaned it completely.

## 12. Re-Install Rain Cap

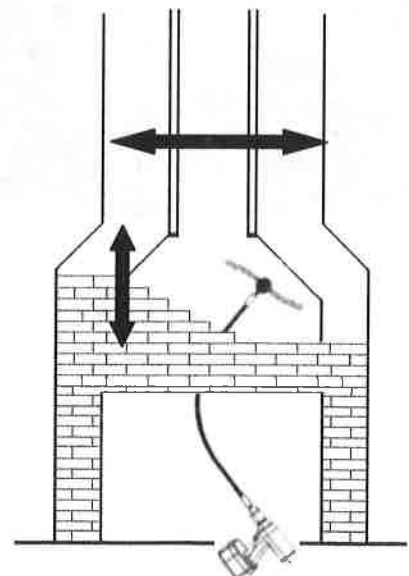
13. Go to the inside; cut a small slit in plastic fireplace cover.
14. Peel back top corner of plastic. Reach through the plastic and open damper slowly or remove it completely.
15. Attach whip to end of one rod. Feed opposite end of rod through plastic from inside firebox leaving whip inside firebox.
16. Re-Seal plastic tightly around fireplace opening.



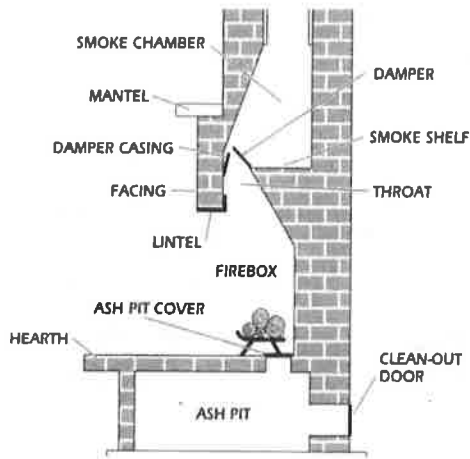
## Cleaning Smoke Chamber:

17. Insert “Drill Adapter” into drill.
18. Attach rod to drill. Feed whip into chimney flue and begin spinning whip up into smoke chamber using an Up and Down motion as well as a Side to Side motion while cleaning. Reverse drill to get complete cleaning action in opposite corners.

**Note:** Many Pre-Fab fireplaces don’t have a smoke chamber but do require cleaning in the areas leading into the flue. A paint brush works well for these flat areas.



# Cleaning Masonry & Pre-Fab Fireplace Chimneys from the “Top Down”(cont.)



19. **Clean the Smoke Shelf:** Once smoke chamber is clean, remove all debris from smoke shelf using the vacuum or use a brush to scrape off debris into a pile inside firebox. It may be necessary to remove damper plate.

**Note:** If you don't have a vacuum, be extremely careful. Move slowly to minimize dust. Also, make sure there is an updraft in the chimney to help prevent dust from entering room.

20. **Re-install damper plate.**

21. **Clean the Firebox:** Use a scrub brush or wire brush to remove all deposits from the walls of the firebox and damper area.

22. **Visual Inspection:** Again, use a powerful flashlight, and mirror if necessary, to look into chimney, smoke chamber and smoke shelf to make sure they are cleaned completely.

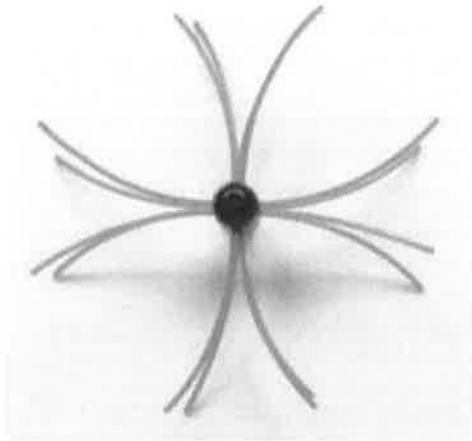


23. **Finishing up:** Once all areas of the fireplace chimney are clean, remove all debris from inside the firebox.

24.

**Note:** Again, if you don't have a vacuum, be extremely careful. Move slowly to minimize dust.

## **Additional Accessories**



**Replacement Chimney Whip Head  
Item # BWH-09**



**Replacement Whip Line Set  
Item #RBWL-09**



**Additional Chimney Rods  
Sold Separately  
Item # LKR-03**

---

Gardus, a HY-C Company 800-325-7076 (toll free)  
customerservice@hy-c.com www.hy-c.com

Made in China