

## CARE TIPS

**Cleaning Instruction:** Clean with water and mild soap. Avoid harsh detergents. Dry completely.

**Hutch Wood Care:** To protect wood and increase durability, wood can be coated with a non-toxic outdoor paint or a water based sealant. For best results, re-coat yearly, especially in climates with extreme weather conditions.

**Hutch Anchoring:** Hutch, like all small outdoor sheds or structures, can be moved by heavy winds and storms. To provide additional stability to your hutch, use the techniques recommended for outdoors sheds.

### WARNING:

Do not climb on the unit.  
Children should not be allowed in, on or around the unit without proper supervision.  
If any structural component is discovered to be broken or missing, stop the use of the product immediately.  
Check hardware periodically to ensure screw/bolt tightness and security.  
Keep hutch in safe area away from high winds and extreme temperatures.

Distributed by:  
TRACTOR SUPPLY COMPANY  
5401 VIRGINAL WAY  
BRENTWOOD, TN 37027  
For customer support,  
call: 1-888-376-9601  
www.TractorSupply.com  
MADE IN CHINA

Approximate  
assembly time: **20 Minutes**

People  
for assembly:



Required assembly space:  
Floor area 9 ft. x 9 ft. (3 m x 3 m)



Required assembly tools (Not included):



Screwdriver

**CAUTION:** Hand tools only,  
use of power tools  
could damage product.


# DUMOR

## DMR Rabbit Hutch Assembly Instructions

(1) **BOX TOTAL CONTAIN THESE PARTS:**

SKU # 1584246

### ACCESSORIES


A  3.5x30mm 4+1pcs

C  3.0x16mm 6+1pcs

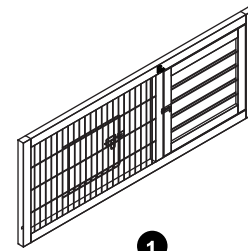


Left Hinge 1pc

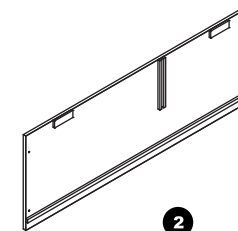
B  3.5x60mm 4+1pcs

D  4.0x16mm 4+1pcs

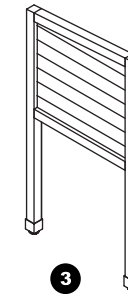
### PARTS



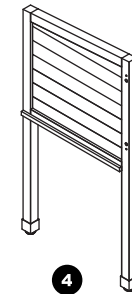
1 Front Panel



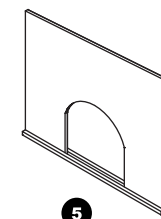
2 Back Panel



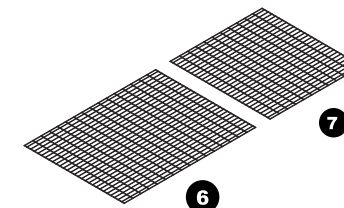
3 Left Side Panel



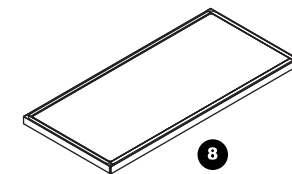
4 Right Side Panel



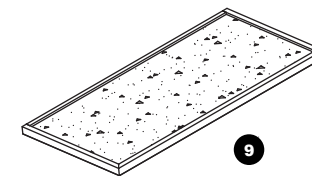
5 Hutch Divider



6 Wire Floor



8 Cleaning Tray

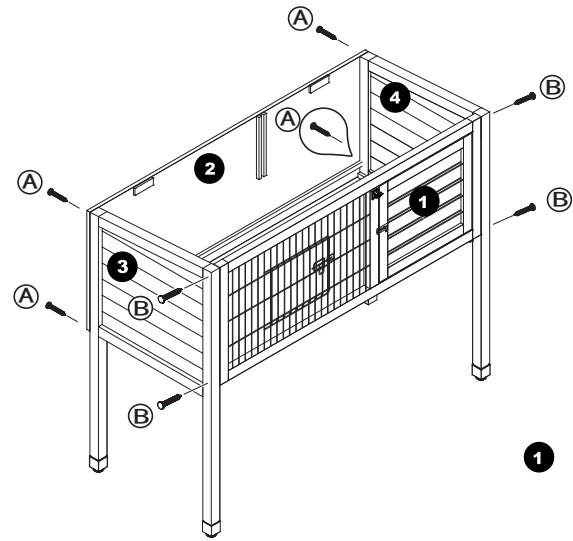


9 Roof Panel

# Assembly Instructions

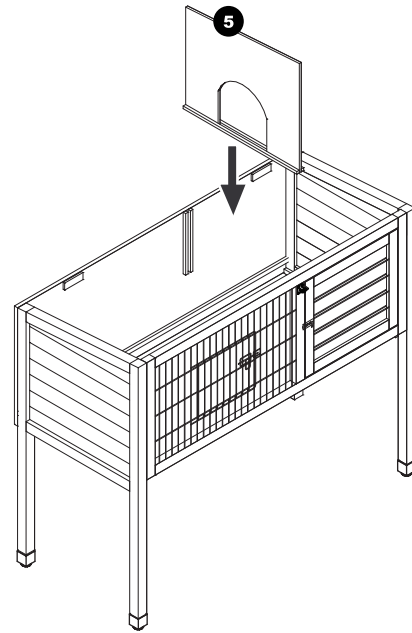
\*Use Screwdriver for Assembly

## 1



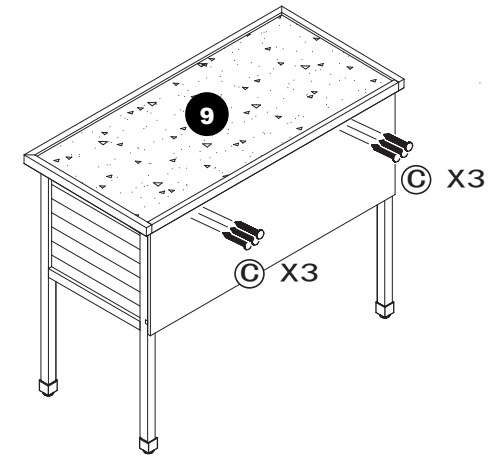
Fix the front panel ① to the side panels ③④ by B, and screw the back panel ② with A

## 2



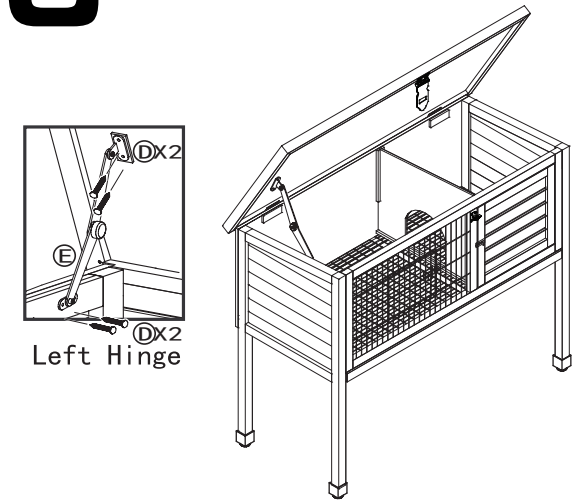
Insert hutch divider ⑤

## 5



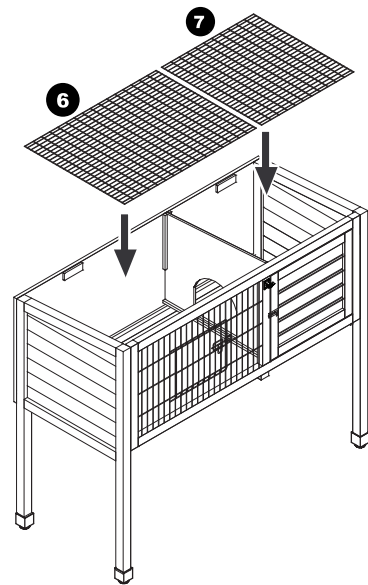
Attach roof panel ⑨ with screws C

## 6



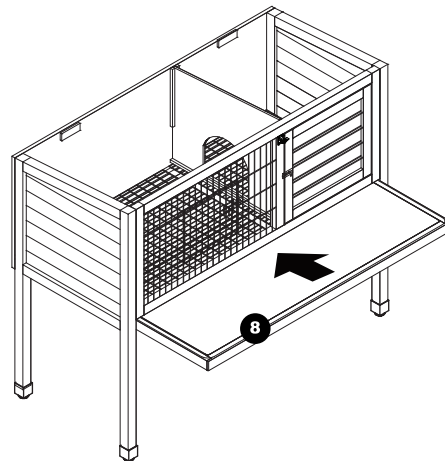
Fix hinge E with screws D on the left place as picture

## 3



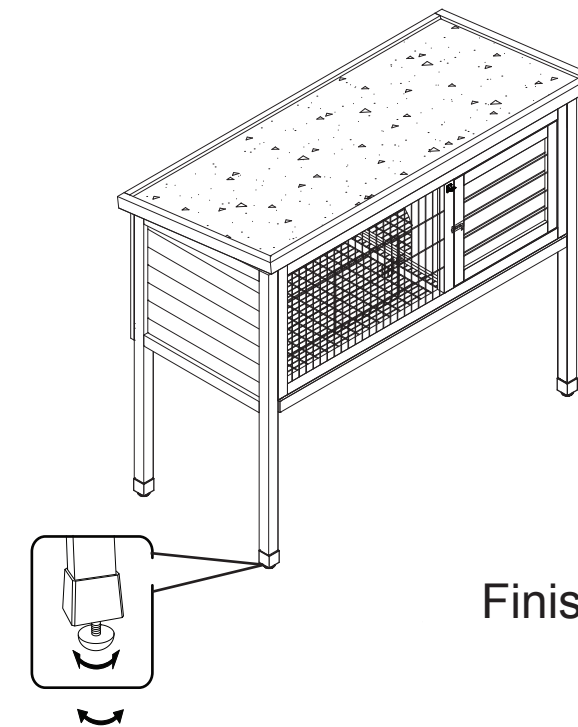
Insert wire floor ⑥ ⑦

## 4



Insert cleaning tray ⑧

## 7



Adjustable Plastic Feet

Finish