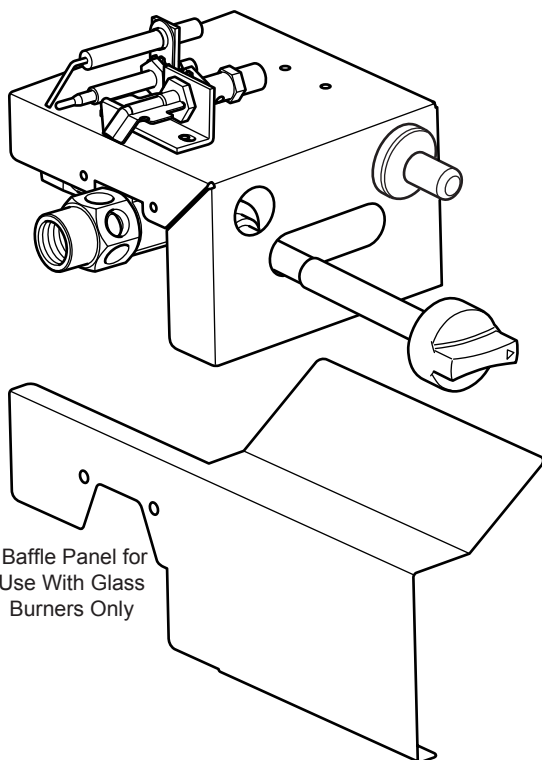




**NVDWA2
MANUAL ON/OFF VALVE
SAFETY PILOT KIT
INSTALLATION INSTRUCTIONS**



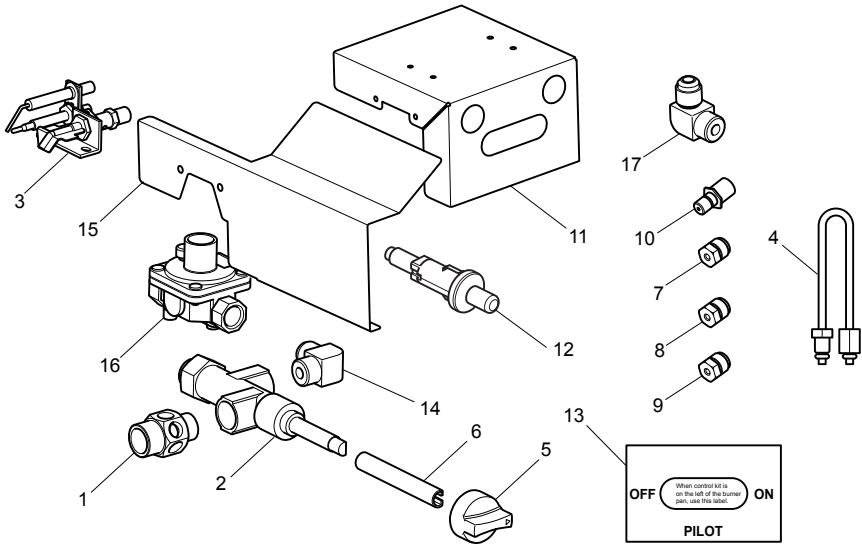
Baffle Panel for
Use With Glass
Burners Only

Spanish/Español
Page 11



Questions, problems, missing parts? Before returning to your retailer, call our customer service department at 1-866-573-0674, 7:30 am - 4:15 pm CST, Monday through Friday or email customerservice@usaprocom.com

PACKAGE CONTENTS



Item	Part Number	Description	Qty
1	WAL06-02	Propane/LP Burner Air Mixer	1
2	NV2050	Gas Control Valve	1
3	NDW-N600X4	Safety Pilot	1
4	WAB09	Pilot Gas Pipe Assembly	1
5	WAL52-01	Control Knob	1
6	WAL57-01	Control Rod Extension	1
7	WAL07-04L	18" Propane/LP Orifice	1
8	WAL07-05L	24" Propane/LP Orifice	1
9	WAL07-06L	30" Propane/LP Orifice	1
10	NDW0811-LP	Propane/LP Pilot Injector	1
11	WAL43-02	Valve Cover	1
12	ML083-02	Piezo Ignitor	1
13	WAL17-02	Control Instructions Label	1
14	WAL08-03A	Elbow Fitting, 3/8" x 3/8" NPT	1
15	WAL43-03	Baffle Panel	1
16	RN0604B	Regulator	1
17	WAL08-03	Gas Inlet Fitting, 3/8" NPT x Flare	1

If any of these pieces are missing or damaged, contact the dealer where you purchased this kit or ProCom Heating, Inc. at 1-866-573-0674 for referral information.

SAFETY

IMPORTANT: Read all instructions and warnings carefully before starting installation. Failure to follow these instructions may result in a possible electric shock, fire hazard and will void the warranty.

▲ WARNING: If the information in this manual is not followed exactly, a fire or explosion may result causing property damage, personal injury, or loss of life.

▲ WARNING: Improper installation, adjustment, alteration, service, or maintenance can cause injury or property damage. Refer to this manual for correct installation and operational procedures. For assistance or additional information consult a qualified installer, service agency, or the gas supplier.

▲ WARNING: This appliance requires a 1/2" NPT (National Pipe Thread) inlet connection to the pressure regulator.

▲ WARNING: A qualified service person must connect log set to gas supply. Follow all local codes.

▲ WARNING: Never connect natural gas appliance to private (non-utility) gas wells. This gas is commonly known as wellhead gas.

▲ WARNING: Use pipe joint sealant that is resistant to liquid petroleum (LP) gas.

▲ WARNING: Test all gas piping and connections for leaks after installing or servicing. Correct all leaks at once.

▲ WARNING: Never use an open flame to check for a leak. Apply a noncorrosive leak detection fluid to all joints. Bubbles forming show a leak. Correct all leaks at once.

▲ WARNING: You must use a ON/OFF safety valve/pilot kit for propane/LP conversion.

▲ CAUTION: Never connect propane/LP appliance directly to the propane/LP supply. This appliance requires an external regulator (not supplied). Install the external regulator between the appliance and propane/LP supply.

▲ CAUTION: Use only new, black iron or steel pipe. Internally-tinned copper tubing may be used in certain areas. Check your local codes. Use pipe of 1/2" diameter or greater to allow proper gas volume to log set. If pipe is too small, undue loss of volume will occur.

▲ CAUTION: For additional convenience and safety, this ON/OFF Valve/Safety Pilot Kit can be used with natural gas as well. If you are unsure of the proper application, call our customer service at 866-573-0674 for further information.

▲ CAUTION: If the fireplace does not have a gas supply shutoff valve, one must be installed.

▲ WARNING: This product contains and/or generates chemicals known to the State of California to cause cancer or birth defects or other reproductive harm.

PREPARATION

Before beginning assembly of product, make sure all parts are present. Compare parts with package contents list. If any part is missing or damaged, do not attempt to assemble the product. Contact customer service for replacement parts.

Estimated Assembly Time: 60 minutes

Tools Required for Assembly (not included): Phillips Screwdriver, Pipe Sealant, Adjustable Wrench Sediment Trap and Manual Shutoff Valve.

Helpful Tools (not included): 10 mm Socket or Nut Driver.

NATURAL GAS INSTALLATION

1. Thread the gas control valve onto the burner air mixer. Use pipe sealant on the male threads of the burner air mixer. Hold the burner air mixer with a wrench to prevent overtightening the connection to the burner. Make sure the control rod is facing the front as shown in Figure 1.
4. Install the gas inlet fitting into the inlet opening of the gas control valve. Use pipe sealant on the male pipe threads.
5. Carefully shape the gas supply tube and attach to gas inlet fitting as shown in Figure 3. Be careful not to cause kinks in tube.

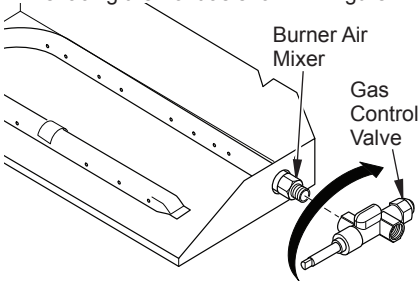


Figure 1

2. Attach the pilot gas pipe assembly to the safety pilot outlet of the gas control valve and tighten.
3. Connect the thermocouple to the rear of the gas control valve.

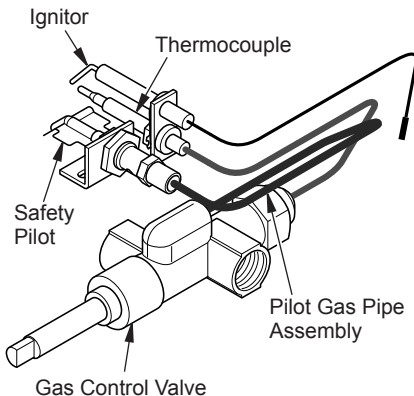


Figure 2

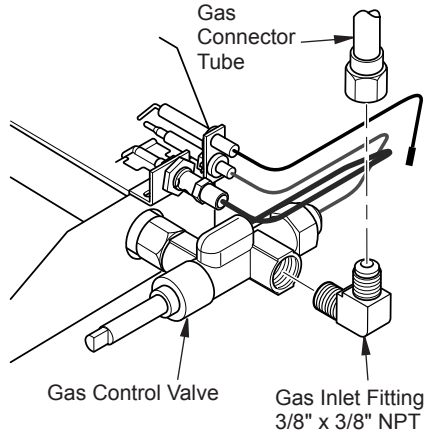


Figure 3

NATURAL GAS INSTALLATION

6. Install valve cover to burner pan using self tapping screws as shown in Figure 4A.
FOR GLASS BURNER MODELS ONLY Install baffle panel and valve cover to burner pan using self tapping screws as shown in Figure 4B.
7. Install safety pilot and piezo ignitor onto baffle panel using self tapping screws as shown in Figure 4A and 4B.
8. Install the control knob to the control rod extension. Push the control rod extension onto the "D" shaped control rod through the center hole in the cover as shown in Figure 5.
9. Install the piezo ignitor through hole in the valve cover. Attach ignitor cable to ignitor.

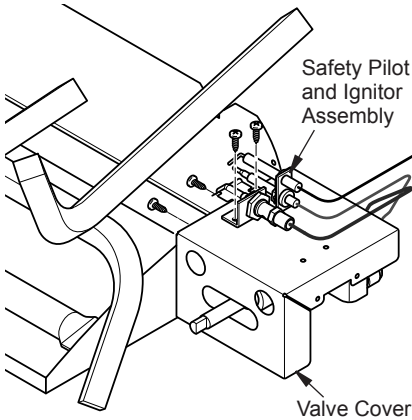


Figure 4A

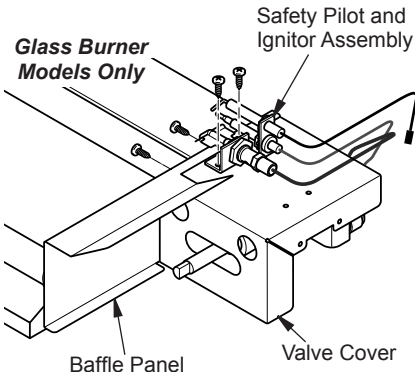


Figure 4B

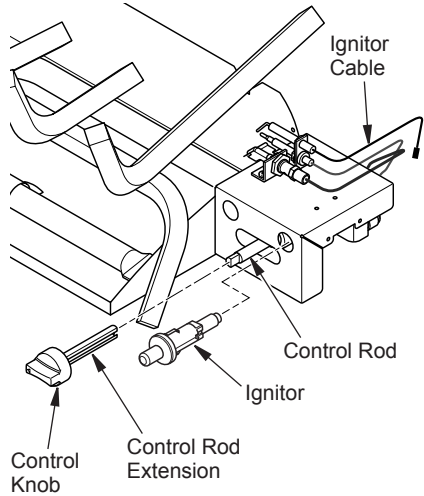


Figure 5

▲ Place the burner pan assembly in the center of the fireplace floor. Make sure the front of pan faces forward.

PROPANE/LP GAS INSTALLATION

1. Remove the natural gas burner inlet fitting from the burner pan assembly as shown in Figure 6. DO NOT remove the orifice from this fitting.

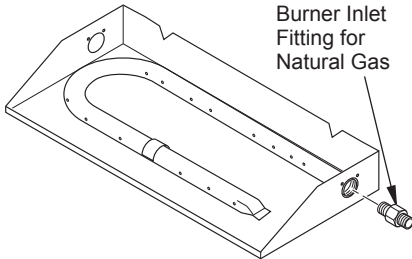


Figure 6

IMPORTANT: If you have a 24" log set, then the 24" propane/LP orifice, shown in the table below, is already installed in the propane/LP burner air mixer. Proceed to step 3.

2. The propane/LP burner air mixer included in this kit has 6 holes and must be used to replace the natural gas inlet fitting. Be sure to use the correct propane/LP orifice for your appliance. This kit contains additional orifices as shown in the table below.

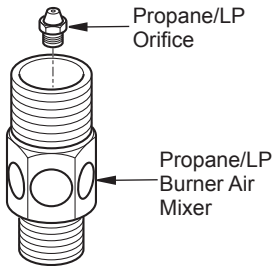


Figure 7

IMPORTANT: The number stamped on orifices correspond to each respective size log set as indicated by model numbers as shown in table below.

Model #	Orifice #
18" Vented Logs	205
24" Vented Logs	225
30" Vented Logs	242

IMPORTANT: For an 18" or 30" log set, use a 10 mm socket or nut driver to remove the orifice from the propane/LP burner air mixer.

3. Using pipe sealant on the thread of the larger end of fitting, screw the propane/LP burner air mixer through hole and into burner manifold as shown in Figure 8. Tighten using a wrench.

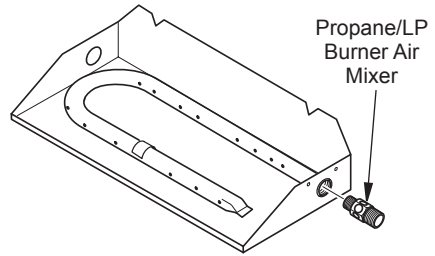


Figure 8

4. Thread the gas control valve onto the burner air mixer. Use pipe sealant on the male threads of the burner air mixer. Hold the burner air mixer with a wrench to prevent overtightening the connection to the burner. Make sure the control rod is facing the front as shown in Figure 9.

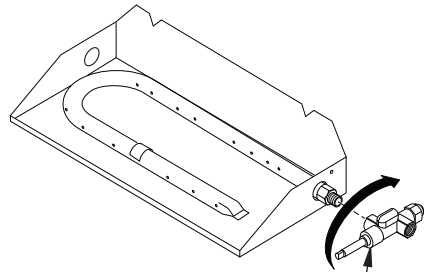


Figure 9

PROPANE/LP GAS INSTALLATION

5. Attach gas inlet fitting to regulator. Use pipe sealant on the male pipe threads.

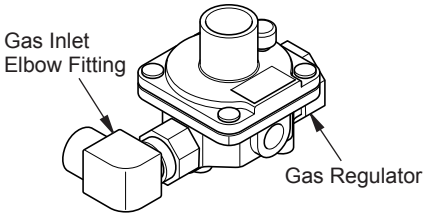


Figure 10

6. Attach gas inlet fitting and regulator to gas control valve. Use pipe sealant on the male pipe threads.

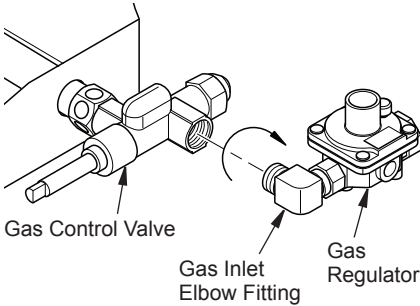


Figure 11

7. The pilot is provided with a natural gas injector installed. For Propane/LP gas you must remove it and replace it with the Propane/LP injector ("LP" printed on the surface).

Gently loosen and remove the pilot gas pipe from bracket. Replace the injector with the Propane/LP pilot injector with "LP" printed on injector surface. Place and tighten the pilot gas pipe to bracket.

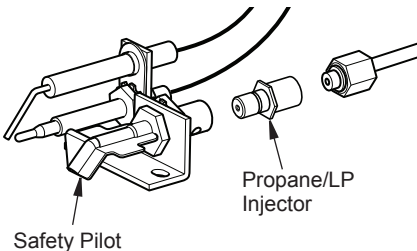


Figure 12

8. Attach the pilot gas pipe assembly to the safety pilot outlet of the gas control valve and tighten.
9. Connect the thermocouple to the rear of the gas control valve.

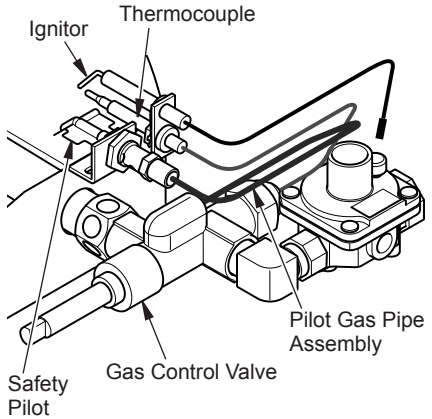


Figure 13

10. Install the gas inlet fitting into the inlet opening of the gas control valve. Use pipe sealant on the male pipe threads.
11. Carefully shape the gas supply tube and attach to gas inlet fitting as shown in Figure 14. Be careful not to cause kinks in tube.

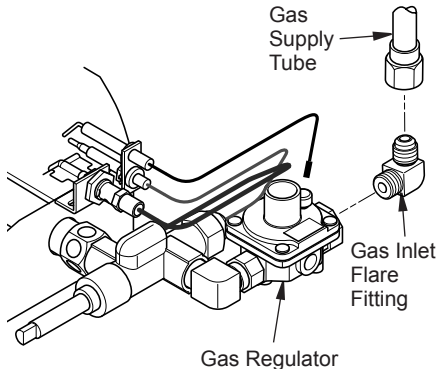


Figure 14

PROPANE/LP GAS INSTALLATION

12. Install valve cover to burner pan using self tapping screws as shown in Figure 15A.
FOR GLASS BURNER MODELS ONLY Install baffle panel and valve cover to burner pan using self tapping screws as shown in Figure 15B.
13. Install safety pilot and piezo ignitor onto baffle panel using self tapping screws as shown in Figure 15A and 15B.
14. Install the control knob to the control rod extension. Push the control rod extension onto the "D" shaped control rod through the center hole in the cover as shown in Figure 16.
15. Install the piezo ignitor through hole in the valve cover. Attach ignitor cable to ignitor.

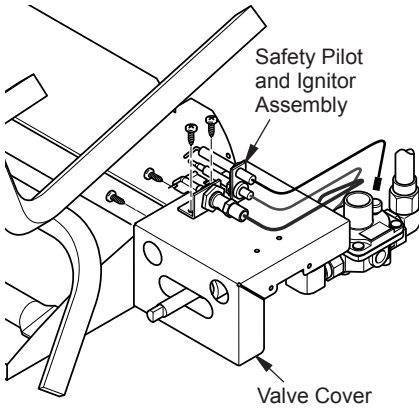


Figure 15A

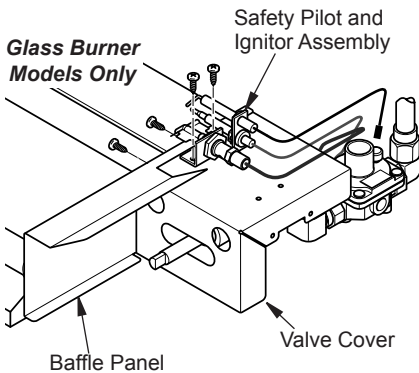


Figure 15B

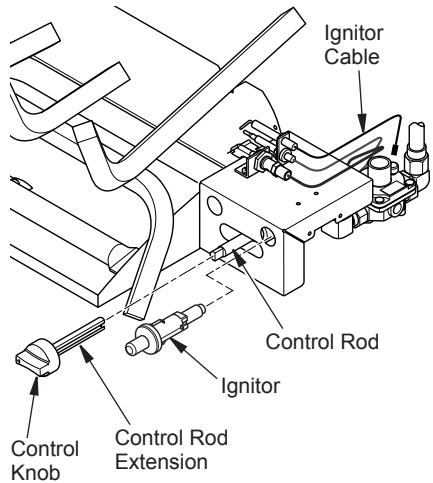


Figure 16

▲ Place the burner pan assembly in the center of the fireplace floor. Make sure the front of pan faces forward.

REPLACEMENT PARTS

Note: Use only original replacement parts. This will protect your warranty coverage for parts replaced under warranty.

PARTS UNDER WARRANTY

Contact authorized dealers of this product. If they can't supply original replacement parts, call Customer Service toll free at 1-866-573-0674 for referral information.

When calling Customer Service or your dealer, have ready:

- Your name
- Your address

- Model and serial number of your heater
- How heater was malfunctioning
- Type of gas used (Propane/LP or Natural gas/NG)
- Purchase date

Usually, we will ask you to return the defective part to the factory

PARTS NOT UNDER WARRANTY

Contact authorized dealers of this product. If they can't supply original replacement part(s) call Customer Service toll free at 1-866-573-0674 for referral information.

When calling Customer Service have ready:

- Model number of your heater
- The replacement part number

WARRANTY

KEEP THIS WARRANTY

Model _____

Serial No. _____

Date Purchased _____

Keep receipt for warranty verification.

REGISTER YOUR PRODUCT AT WWW.USAPROCOM.COM

IMPORTANT: We urge you to register your product within 10 days of date of installation, complete with entire serial number which can be found on the rating plate. Please fill out the warranty information above for your personal records. Retain this manual for future reference.

Always specify model and serial numbers when communicating with customer service.

We reserve the right to amend these specifications at any time without notice. The only warranty applicable is our standard written warranty. We make no other warranty, expressed or implied.

LIMITED WARRANTY

ProCom Heating, Inc. warrants this product to be free from defects in materials and components for ONE (1) year from the date of first purchase, provided that the product has been properly installed by a qualified installer in accordance with all local codes and instructions furnished with the unit, operated and maintained in accordance with all applicable instructions. To make a claim under this warranty, the Bill of Sale or cancelled check must be presented.

RESPONSIBILITY OF OWNER

This warranty is extended only to the original retail purchaser. This warranty covers the cost of part(s) required to restore this heater to proper operating condition. Warranty part(s) MUST be obtained through ProCom Heating, Inc. who will provide original factory replacement parts. Failure to use original factory replacement parts voids this warranty.

IMPORTANT: The heater MUST be installed by a qualified installer in accordance with all local codes and instructions furnished with the unit or the warranty is voided.

WHAT IS NOT COVERED

This warranty does not apply to parts that are not in original condition because of normal wear and tear or parts that fail or become damaged as a result of misuse, accidents, lack of proper maintenance or defects caused by improper installation. Travel, diagnostic cost, labor, transportation and any and all such other costs related to repairing a defective heater will be the responsibility of the owner.

TO THE FULL EXTENT ALLOWED BY THE LAW OF THE JURISDICTION THAT GOVERNS THE SALE OF THE PRODUCT, THIS EXPRESS WARRANTY EXCLUDES ANY AND ALL OTHER EXPRESSED WARRANTIES AND LIMITS THE DURATION OF ANY AND ALL IMPLIED WARRANTIES. INCLUDING WARRANTIES OF MERCHANTABILITY AND FITNESS FOR A PARTICULAR PURPOSE TO ONE (1) YEAR ON ALL COMPONENTS FROM THE DATE OF FIRST PURCHASE. PROCOM HEATING, INC.'S LIABILITY IS HEREBY LIMITED TO THE PURCHASE PRICE OF THE PRODUCT AND PROCOM HEATING, INC. SHALL NOT BE LIABLE FOR ANY OTHER DAMAGES WHATSOEVER INCLUDING INDIRECT, INCIDENTAL OR CONSEQUENTIAL DAMAGES.

Some states do not allow a limitation on how long an implied warranty lasts or an exclusion or limitation of accidental or consequential damages, the above limitation on implied warranties, or exclusion or limitation on damages may not apply to you.

This warranty gives you specific legal right, and you may also have other rights that vary from state to state.

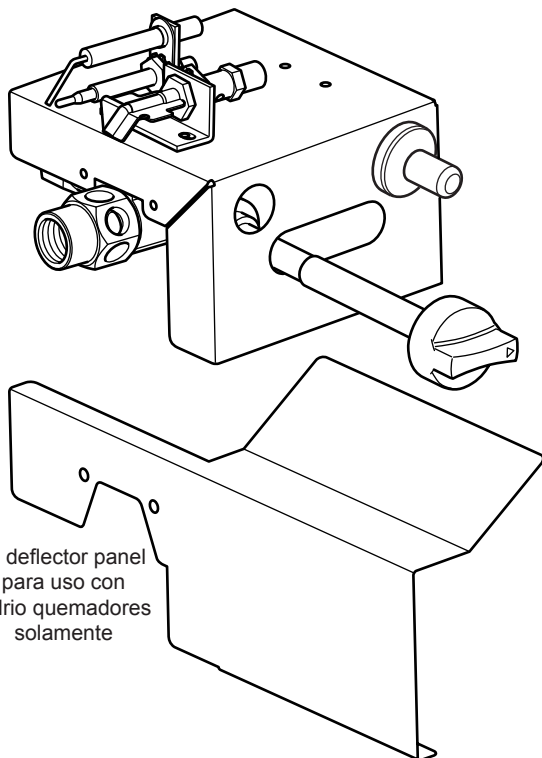


ProCom Heating, Inc.
Bowling Green, KY 42101
www.usaprocom.com
1-866-573-0674

200279-01
Rev. A
09/15



NVDWA2
MANUAL DE ENCENDIDO/APAGADO VÁLVULA
PILOTO SEGURIDAD DE KIT
INSTRUCCIONES DE INSTALACIÓN

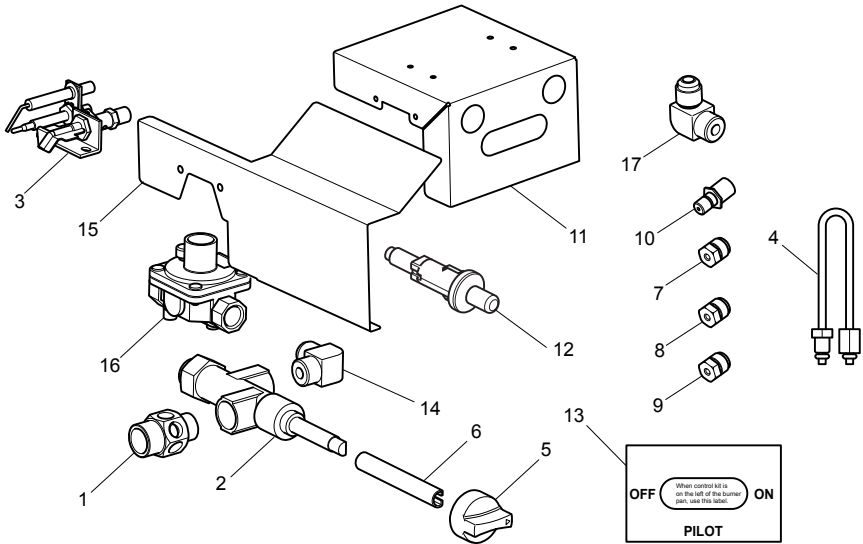


El deflector panel
para uso con
vidrio quemadores
solamente



¿Preguntas, problemas, piezas faltantes? Antes de volver a la tienda, llame a nuestro Departamento de Servicio al Cliente al 1-866-573-0674, de lunes a viernes de 7:30 a.m. a 4:15 p.m., Hora del Centro, o envíe un correo electrónico a customerservice@usaprocom.com.

CONTENIDOS DEL PAQUETE



Art.	Pieza #	Descripción	Cant.
1	WAL06-02	Propano/LP Quemador Aire Mezclador	1
2	NV2050	Válvula de control del gas	1
3	NDW-N600X4	Piloto de seguridad	1
4	WAB09	Ensamble del tubo de gas del piloto	1
5	WAL52-01	Perilla de control	1
6	WAL57-01	Control de barra de extensión	1
7	WAL07-04L	18" Orificio para gas propano/LP	1
8	WAL07-05L	24" Orificio para gas propano/LP	1
9	WAL07-06L	30" Orificio para gas propano/LP	1
10	NDW0811-LP	Inyector de gas del piloto de propano/LP	1
11	WAL43-02	Cubierta para válvula	1
12	ML083-02	Encendedor piezoeléctrico	1
13	WAL17-02	Etiqueta de las instrucciones de control	1
14	WAL08-03A	Adaptador del codo, 3/8" x 3/8" NPT	1
15	WAL43-03	Panel deflector	1
16	RN0604B	Regulador	1
17	WAL08-03	Conector de entrada de gas, 3/8" NPT x Flare	1

Si alguna de estas piezas falta o está dañado, póngase en contacto con el distribuidor donde adquirió este kit o ProCom Heating, Inc. al 1-866-573-0674 para obtener información de referencia.

SEGURIDAD

IMPORTANTE: Lea todas las instrucciones y advertencias antes de comenzar la instalación. El incumplimiento de estas instrucciones puede resultar en una posible descarga eléctrica, peligro de incendio y se anulará la garantía.

⚠ ADVERTENCIA: Si no se sigue con precisión la información de este manual, pueden provocarse incendios o explosiones que produzcan daños a la propiedad, lesiones personales o la muerte.

⚠ ADVERTENCIA: La instalación, el ajuste, la alteración, la reparación o el mantenimiento inadecuado pueden ocasionar lesiones o daños a la propiedad. Consulte este manual para conocer las instrucciones de instalación y de funcionamiento. Si necesita ayuda o desea información adicional, consulte a un instalador calificado, una empresa de servicio o el proveedor de gas.

⚠ ADVERTENCIA: Este electrodoméstico requiere una conexión de entrada NPT (National Pipe Thread) de 1/2" al regulador de presión.

⚠ ADVERTENCIA: Una técnico calificado debe conectar el juego de leños al suministro de gas. Respete todos los códigos locales.

⚠ ADVERTENCIA: No instale el electrodoméstico de gas natural en pozos de gas privados (que no pertenezcan a los servicios públicos). Este gas se conoce comúnmente como gas de pozo.

⚠ ADVERTENCIA: Utilice un sellador para juntas de tuberías que sea resistente al gas líquido de petróleo (PL).

⚠ ADVERTENCIA: Verifique todas las tuberías y conexiones de gas para detectar fugas después de la instalación o el mantenimiento. Repare todas las fugas de inmediato.

⚠ ADVERTENCIA: No use nunca una llama directa para detectar fugas. Aplique un líquido anticorrosivo para detectar fugas en todas las juntas. Si hay una fuga, se formarán burbujas. Repare todas las fugas de inmediato.

⚠ ADVERTENCIA: Debe usar una válvula de seguridad de encendido/apagado o un kit piloto para la conversión de gas propano/PL.

⚠ PRECAUCIÓN: Nunca conecte el electrodoméstico de gas propano/PL directamente al suministro de gas propano/PL. Este electrodoméstico necesita un regulador externo (no incluido). Instale el regulador externo entre el electrodoméstico y el suministro de gas propano/PL.

SEGURIDAD

⚠ PRECAUCIÓN: Utilice sólo tuberías nuevas de hierro negro o acero. En algunas áreas, es posible que se utilicen tuberías de cobre con revestimiento interno de estaño. Revise los códigos locales. Utilice una tubería de 1/2" de diámetro o más para permitir la entrada de un volumen adecuado de gas al juego de leños. Si la tubería es demasiado pequeña, habrá pérdida de volumen indebida.

⚠ PRECAUCIÓN: Para lograr comodidad y seguridad adicionales, este kit piloto de válvula de encendido/apagado puede usarse también con gas natural. Si tiene dudas sobre la aplicación adecuada, llame a nuestro Servicio al Cliente 866-573-0674 para obtener más información.

⚠ PRECAUCIÓN: Si la chimenea no cuenta con una válvula de cierre del suministro de gas, se debe instalar una.

⚠ ADVERTENCIA: Este producto contiene y/o genera químicos que el Estado de California reconoce que causan cáncer, defectos de nacimiento u otros daños relacionados con la reproducción.

PREPARACIÓN

Antes de comenzar a ensamblar el producto, asegúrese de tener todas las piezas. Compare las piezas con la lista del contenido del paquete. No intente ensamblar el producto si falta alguna pieza o si éstas están dañadas. Póngase en contacto con el servicio al cliente para obtener piezas de repuesto.

Tiempo estimado de ensamblaje: 60 minutos

Herramientas necesarias para el ensamblaje (no se incluyen): Destornillador Phillips, sellador de tuberías, llave ajustable, trampa de sedimentos y válvula de cierre manual.

Herramientas útiles (no se incluyen): Llave para tuercas o de tubos de 10 mm.

INSTALACIÓN GAS NATURAL

1. Enrosque la válvula de control de gas en el mezclador de aire del quemador. Use sellador de tuberías en las roscas macho del mezclador de aire del quemador. Mantenga el mezclador de aire del quemador con una llave para evitar apretar demasiado la conexión al quemador. Asegúrese de que la barra de control se enfrenta a la parte delantera como se muestra en la Figura 1.
4. Instale el montaje en la abertura de entrada de la válvula de control de gas de entrada de gas. Use sellador de tuberías en las roscas macho del tubo.
5. Con cuidado, dan forma al tubo de suministro de gas y adjuntar a gas accesorio de entrada, como se muestra en la Figura 3. Tenga cuidado de no causar torceduras en el tubo.

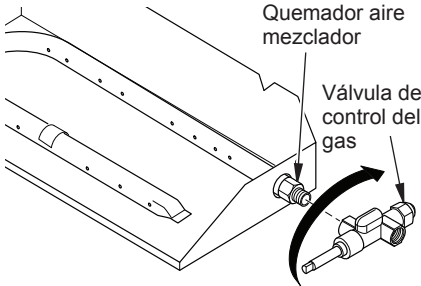


Figura 1

2. Coloque el conjunto del tubo de gas del piloto a la salida de piloto de seguridad de la válvula de control de gas y apriete.
3. Conectar el termopar a la parte trasera de la válvula de control de gas.

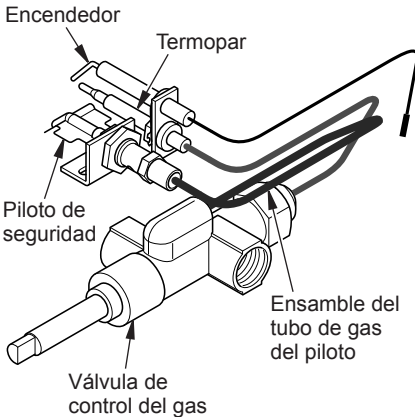


Figura 2

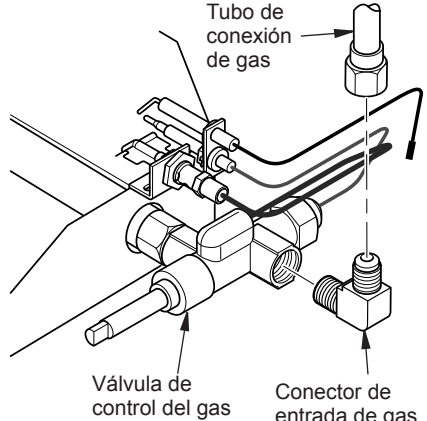


Figura 3

INSTALACIÓN GAS NATURAL

6. Instale la cubierta de la válvula para bandeja del quemador mediante tornillos autorroscantes como se muestra en la Figura 4A.

PARA MODELOS QUEMADOR DE VIDRIO SOLAMENTE Instale el panel deflector y la tapa de la válvula de bandeja del quemador mediante tornillos autorroscantes como se muestra en la Figura 4B.

7. Instale piloto de seguridad y encendedor piezoeléctrico sobre el panel deflector con tornillos autorroscantes como se muestra en la Figura 4A y 4B.

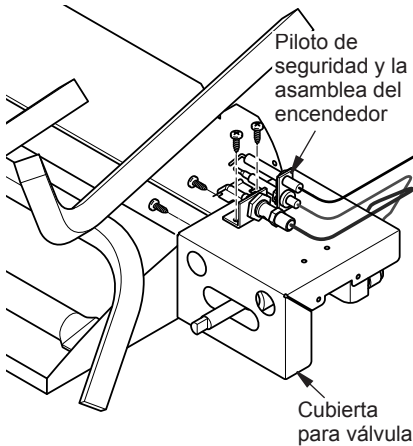


Figura 4A

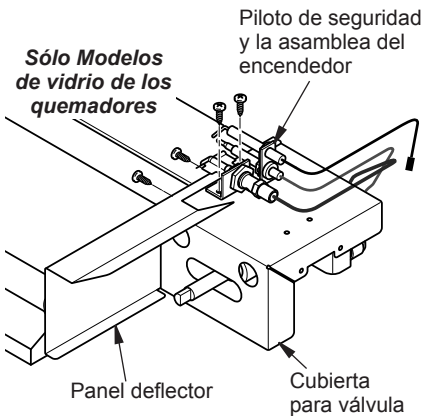


Figura 4B

8. Instale la perilla de control a la extensión de las barras de control. Empuje la extensión de la barra de control en la "D" en forma de barra de control a través del orificio central de la tapa como se muestra en la Figura 5.
9. Instale el encendedor piezoeléctrico través del agujero en la tapa de válvulas. Conecte el cable del encendido a ignitor.

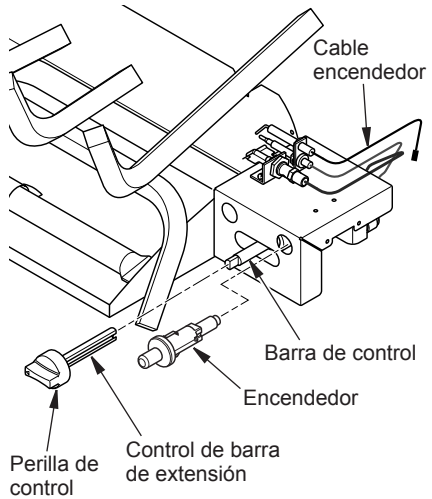


Figura 5

⚠ Coloque el conjunto de bandeja del quemador en el centro del piso de la chimenea. Asegúrese de que la parte delantera de la bandeja mira hacia delante.

PROPANO/LP INSTALACIÓN DE GAS

1. Retire el quemador de gas natural accesorio de entrada del conjunto bandeja del quemador como se muestra en la Figura 6. NO retire el orificio de este accesorio.

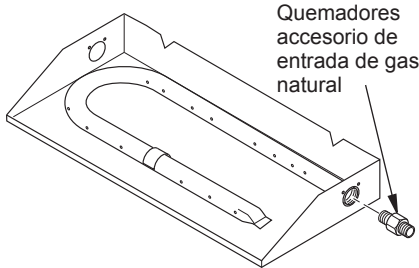


Figura 6

IMPORTANTE: Si usted tiene un 24 "set log, entonces el 24" de propano/LP orificio, que se muestra en la siguiente tabla, ya está instalado en el propano/LP mezclador de aire del quemador de propano. Continúe con el paso 3.

2. El propano/LP mezclador de aire del quemador de propano se incluye en este kit tiene 6 agujeros y debe ser utilizado para reemplazar el gas natural accesorio de entrada. Asegúrese de utilizar el orificio de propano/LP correcto para su aparato. Este kit contiene orificios adicionales como se muestra en la siguiente tabla.

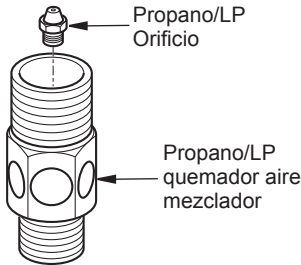


Figura 7

IMPORTANTE: El número estampado en orificios corresponden a cada registro respectivo tamaño establecido según lo indicado por los números de modelo, como se muestra en la siguiente tabla.

Modelo #	Orificio #
18" Ventilados de leños	205
24" Ventilados de leños	225
30" Ventilados de leños	242

IMPORTANTE: Para un 18 "o 30" set log, utilice un enchufe o la tuerca conductor 10 mm para quitar el orificio de la propano/LP mezclador de aire del quemador de propano.

3. El uso de sellador de tuberías en la rosca del extremo más grande del ajuste, atornillar el propano/LP mezclador de aire del quemador a través del agujero y en el colector del quemador como se muestra en la Figura 8. Apriete con una llave.

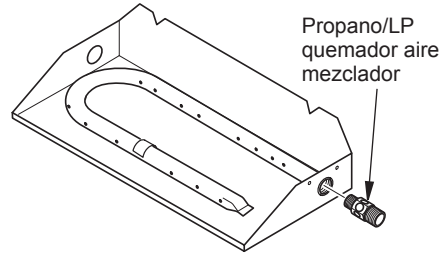


Figura 8

4. Enrosque la válvula de control de gas en el mezclador de aire del quemador. Use sellador de tuberías en las roscas macho del mezclador de aire del quemador. Mantenga el mezclador de aire del quemador con una llave para evitar apretar demasiado la conexión al quemador. Asegúrese de que la barra de control se enfrenta a la parte delantera como se muestra en la Figura 9.

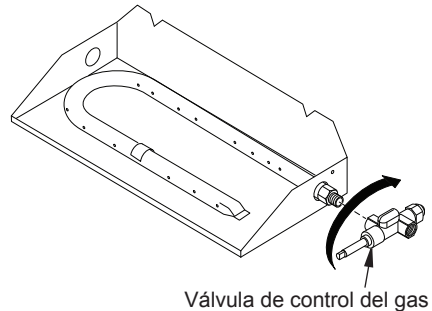


Figura 9

PROPANE/LP GAS INSTALLATION

5. Conecte la entrada de gas al regulador apropiado. Use sellador de tuberías en las roscas macho del tubo.

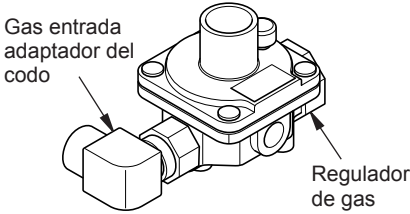


Figura 10

6. Conecte la entrada de gas de ajuste y el regulador a la válvula de control de gas. Use sellador de tuberías en las roscas macho del tubo.

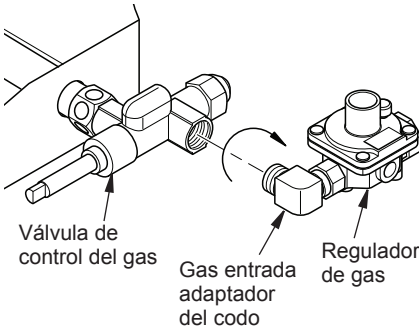


Figura 11

7. El piloto está provisto de un inyector de gas natural instalado. Para propano/gas LP debe eliminarlo y reemplazarlo con el propano/LP inyector ("LP" impreso en la superficie).

Aflojar suavemente y retire el tubo de gas del piloto del soporte. Reemplace el inyector con el propano/LP inyector piloto con "LP" impreso en la superficie del inyector. Coloque y apriete el tubo de gas del piloto al soporte.

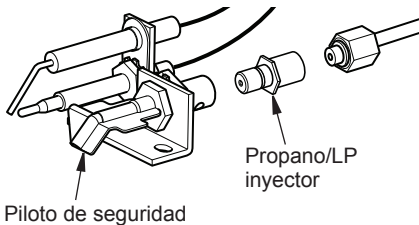


Figura 12

8. Coloque el conjunto del tubo de gas del piloto a la salida de piloto de seguridad de la válvula de control de gas y apriete.
9. Conectar el termopar a la parte trasera de la válvula de control de gas.

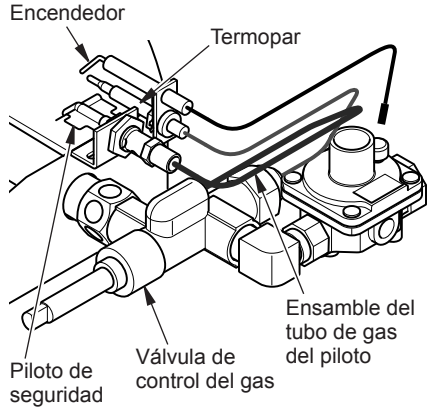


Figura 13

10. Instale el montaje en la abertura de entrada de la válvula de control de gas de entrada de gas. Use sellador de tuberías en las roscas macho del tubo.
11. Cuidadosamente forma al tubo de suministro de gas y adjuntar a gas accesorio de entrada, como se muestra en la Figura 14. Tenga cuidado de no causar torceduras en el tubo.

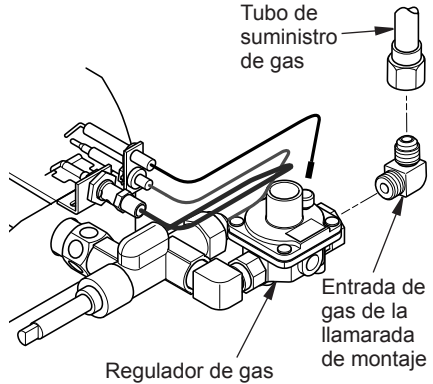


Figura 14

PROPANE/LP GAS INSTALLATION

12. Instale la cubierta de la válvula para bandeja del quemador mediante tornillos autorroscantes como se muestra en la Figura 15A.

PARA MODELOS QUEMADOR DE VIDRIO SOLAMENTE Instale el panel deflector y la tapa de la válvula de bandeja del quemador mediante tornillos autorroscantes como se muestra en la Figura 15B.

13. Instalación de piloto de seguridad y encendedor piezoeléctrico sobre el panel deflector utilizando tornillos autorroscantes como se muestra en la Figura 15A y 15B.

14. Instale la perilla de control a la extensión de las barras de control. Empuje la extensión de la barra de control en la "D" en forma de barra de control a través del orificio central de la tapa como se muestra en la Figura 16.

15. Instale el encendedor piezoeléctrico través del agujero en la tapa de válvulas. Conecte el cable del encendido a ignitor.

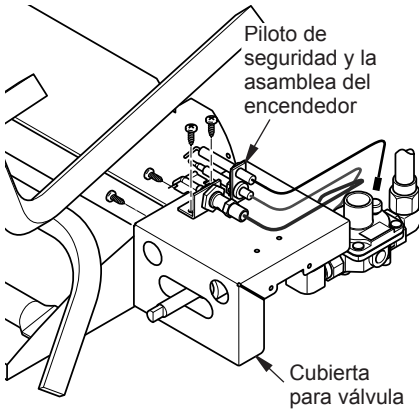


Figura 15A

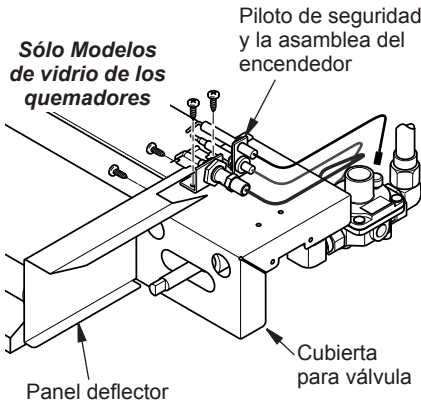


Figura 15B

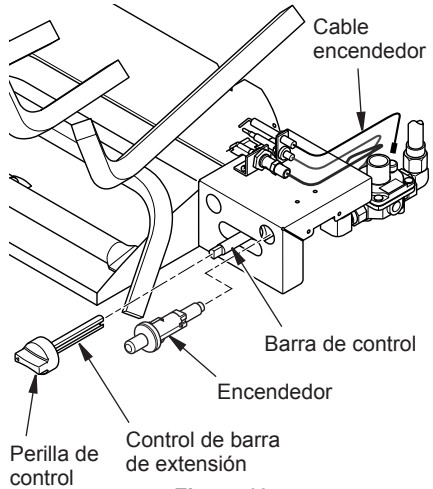


Figura 16

⚠ Coloque el conjunto de bandeja del quemador en el centro del piso de la chimenea. Asegúrese de que la parte delantera de la bandeja mira hacia delante.

PIEZAS DE REPUESTO

Nota: use sólo piezas de repuesto originales. Esto protegerá la cobertura de su garantía para partes reemplazadas bajo la garantía.

PIEZAS CON GARANTÍA

Comuníquese con los distribuidores autorizados de este producto. Si no pueden proporcionarle las piezas originales de repuesto, llame gratis al Departamento de Servicio al Cliente al 1-866-573-0674 para obtener información de referencia.

Cuando llame a Servicio al Cliente, tenga preparados:

- su nombre,
- su dirección

- los números de modelo y de serie de su calentador,
- la falla del calentador,
- El tipo de gas utilizado (propano/LP o gas natural/GN)
- la fecha de compra

Por lo general, le pediremos que devuelva la pieza a la fábrica.

PIEZAS SIN GARANTÍA

Comuníquese con los distribuidores autorizados de este producto. Si no pueden suministrarle piezas de repuesto originales, llame gratis al Departamento de Servicio al Cliente al 1-866-573-0674 para obtener información de referencia.

Cuando llame a Servicio al Cliente, tenga preparados:

- los números de modelo y de serie de su calentador,
- el número de la pieza de repuesto.



NOTES

GARANTÍA

GUARDE ESTA GARANTÍA

Modelo _____

Número de serie _____

Fecha de compra _____

Conserve su recibo para la verificación de la garantía.

REGISTRE SU PRODUCTO EN WWW.USAPROCOM.COM

IMPORTANTE: Le pedimos que registre su producto dentro de los 10 días de la fecha de instalación, lleve a cabo con el número de serie completa que se puede encontrar en la placa de características. Por favor llene la información anterior garantía para sus archivos personales. Conserve este manual para futuras consultas.

Siempre especifique números de serie y modelo cuando se comunique con servicio al cliente.

Nos reservamos el derecho a modificar estas especificaciones en cualquier momento sin previo aviso. La única garantía aplicable es nuestra garantía escrita estándar. No hacemos ninguna otra garantía, expresa o implícita.

GARANTÍA LIMITADA

ProCom Heating, Inc. garantiza que este producto está libre de defectos en materiales y componentes por un 1 año desde la fecha de la primera compra, siempre que el producto ha sido correctamente instalado, operado y mantenido de conformidad con todas las instrucciones aplicables. Para hacer un reclamo bajo esta garantía, la factura de venta o cheque cancelado deberá presentarse.

RESPONSABILIDAD DEL PROPIETARIO

Esta garantía se extiende sólo al comprador original. Esta garantía cubre el costo de las piezas necesarias para restaurar este calentador y dejarlo en buen estado de funcionamiento. Las piezas de garantía deben obtenerse a través de ProCom Heating, Inc. que ofrece piezas originales de fábrica. No utilizar repuestos originales de fábrica anula esta garantía.

IMPORTANTE: El calentador debe ser instalado por un instalador calificado de acuerdo con todos los códigos locales y las instrucciones provistas con el equipo o la garantía quedará anulada.

LO QUE NO ESTÁ CUBIERTO

Esta garantía no se aplica a piezas que no están en condición original debido a desgaste normal o que o se dañen debido a mal uso, accidentes, falta de mantenimiento adecuado o defectos causados por la instalación incorrecta. Viajes, costo de diagnóstico, trabajo, transporte y todos los gastos relacionados con la reparación de un calentador defectuoso será responsabilidad del propietario.

EN LA MEDIDA PERMITIDA POR LA LEY DE LA JURISDICCIÓN QUE RIGE LA VENTA DEL PRODUCTO, ESTA GARANTÍA EXPRESA EXCLUYE CUALQUIERA Y TODAS LAS OTRAS GARANTÍAS EXPRESADAS Y LIMITA LA DURACIÓN DE CUALQUIER GARANTÍA IMPLÍCITA. INCLUYENDO LAS GARANTÍAS DE COMERCIABILIDAD Y ADECUACIÓN PARA UN PROPÓSITO PARTICULAR A 1 UN AÑO EN TODOS LOS COMPONENTES DE LA FECHA DE LA PRIMERA COMPRA. LA RESPONSABILIDAD DE PROCOM HEATING, INC. QUEDARÁ LIMITADA AL PRECIO DE COMPRA DEL PRODUCTO Y PRO-COM NO SERÁ RESPONSABLE POR CUALQUIER OTRO DAÑO INCLUYENDO DAÑOS INDIRECTOS. DAÑOS INCIDENTALES O CONSECUENTES.

Algunos Estados no permiten una limitación sobre cuánto tiempo una garantía implícita dura o una exclusión o limitación de daños fortuitos o consecuentes, la limitación anterior sobre las garantías implícitas o la exclusión o limitación de daños puede no aplicarse a usted.

Esta garantía le otorga derechos legales específicos, y usted también puede tener otros derechos que varían de Estado a estado.



ProCom Heating, Inc.
Bowling Green, KY 42101
www.usaprocom.com
1-866-573-0674

200279-01
Rev. A
09/15