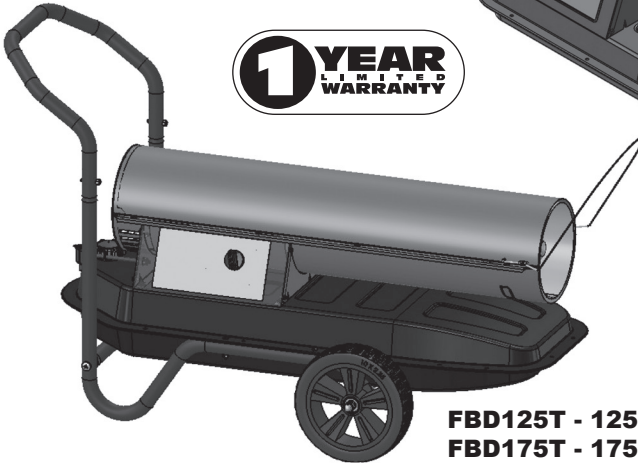
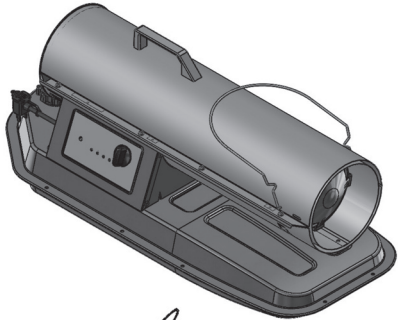




**FACTORY
BUYS
DIRECT.COM**

**PORTABLE FORCED AIR HEATER
KEROSENE/DIESEL HEATER WITH BUILT-IN THERMOSTAT
OWNER'S MANUAL**

**FBD75T
75,000 BTU/HR**



**FBD125T - 125,000 BTU/HR
FBD175T - 175,000 BTU/HR**

IMPORTANT: Read and understand this manual before assembling, starting or servicing heater. Improper use of heater can cause serious injury. Keep this manual for future reference.

Never use heater in living or sleeping areas. Heater is suitable for outdoor use and for use on combustible floors.



Questions, problems, missing parts? Before returning to your retailer, call our customer service department at 1-855-607-6557, 8:00 am - 4:30 pm EST, Monday through Friday or email info@factorybuysdirect.com

TABLE OF CONTENTS

Safety	2	Preventative Maintenance Schedule	7
Unpacking.....	3	Troubleshooting.....	8
Assembly.....	3	Service Procedures	9
Product Identification and Label Locations... 4		Wiring Diagram.....	15
Specifications	5	Technical Service.....	15
Fuels.....	5	Accessories	15
Ventilation.....	5	Parts	16
Operation.....	6	Replacement Parts.....	21
Operation with Portable Generator.....	7	Warranty	22
Storing, Transporting or Shipping.....	7		

SAFETY

⚠ WARNING: This product contains and/or generates chemicals known to the State of California to cause cancer or birth defects or other reproductive harm.

IMPORTANT: Read this owner's manual carefully and completely before trying to assemble, operate or service this heater. Improper use of this heater can cause serious injury or death from burns, fire, explosion, electrical shock and carbon monoxide poisoning.

⚠ DANGER: Carbon monoxide poisoning may lead to death!

Carbon Monoxide Poisoning: Early signs of carbon monoxide poisoning resemble the flu, with headaches, dizziness and/or nausea. If you have these signs, the heater may not be working properly. **Get fresh air at once!** Have heater serviced. Some people are more affected by carbon monoxide than others. These include pregnant women, persons with heart or lung disease or anemia, those under the influence of alcohol and those at high altitudes. Make certain you read and understand all warnings. Keep this manual for reference. It is your guide to safe and proper operation of this heater.

1. Use only kerosene, #1/#2 diesel/fuel oil, JET A or JP-8 fuels to avoid risk of fire or explosion. Never use gasoline, oil from crank cases, naphtha, paint thinners, alcohol or other highly flammable fuels.

2. Fueling

- a) Personnel involved with fueling shall be qualified and thoroughly familiar with the manufacturer's instructions and applicable regulations regarding the safe fueling of heating units.
 - b) Only the type of fuel specified on the heater's data plate shall be used.
 - c) All flame shall be extinguished and the heater allowed to cool, prior to fueling.
 - d) During fueling, all fuel lines and fuel-line connections shall be inspected for leaks. Any leaks shall be repaired prior to returning the heater to service.
 - e) At no time shall more than one day's supply of heater fuel be stored inside a building in the vicinity of the heater. Bulk fuel storage shall be outside the structure.
 - f) All fuel storage shall be located a minimum of 25 feet (762 cm) from heaters, torches, welding equipment and similar sources of ignition (exception: fuel reservoir integral with heater unit or any authorized auxiliary tank connected to heater unit).
 - g) Whenever possible, fuel storage shall be confined to areas where floor penetrations do not permit fuel to drip onto or be ignited by a fire at lower elevation.
 - h) Fuel storage shall be in accordance with the authority having jurisdiction.
3. Use only the electrical voltage and frequency specified on model plate.
4. Heater is suitable for outdoor use.
5. Heater must be grounded. Use only a properly grounded three-wire extension cord. Plug into grounded outlet only.
6. Use only in areas free of flammable vapors or high dust content.

SAFETY

7. Minimum clearance from any combustible materials: 8 feet (244 cm) from hot air outlet, 6 feet (183 cm) from top, and 4 feet (120 cm) from sides and inlet.
8. Locate heater on a stable and level surface while hot or operating or a fire may occur.
9. Heater is acceptable for use on flooring such as wood (a combustible material).
10. Use only in well vented areas. Before using heater, provide at least a 3 ft² (2800 cm²) opening of fresh, outside air for each 100,000 Btu/Hr (30 kw) of rating.
11. Keep children and animals away from heater at all times.
12. Never start heater when combustion chamber is hot or if fuel has accumulated in combustion chamber.
13. This heater is equipped with a thermostat. Heater may start at anytime.
14. Never leave a heater plugged in without adult supervision if children or animals are likely to be present.
15. Use caution when moving or storing heater when fuel tank contains fuel. Fuel spillage can occur.
16. Use heater only in accordance with local ordinances and codes. Canadian residents should refer to *CSA standard B139, Installation Code for Oil Burning Equipment* for recommended installation practice.
17. Never use gasoline, crankcase drainings, naphtha, paint thinners, alcohol or other highly flammable fuels.
18. Never use heater where gasoline, paint thinner or other highly flammable vapors are present.
19. Never use heater in living or sleeping areas.
20. Never move, handle, refuel or service a hot, operating or plugged-in heater.
21. Never attach duct work to front or rear of heater.
22. Heaters used in the vicinity of tarpaulins, canvas or similar enclosure materials shall be located a safe distance from such materials. The recommended minimum safe distance is 10 feet (304.8 cm). It is further recommended that these enclosure materials be of a fire retardant nature. These enclosure materials shall be securely fastened to prevent them from igniting or from upsetting the heater due to wind action.
23. Unplug heater when not in use.
24. Never block air inlet (rear) or air outlet (front) of heater.
25. **Warning to New York City Residents**
For Use Only At Construction Sites in accordance with applicable NYC codes.
26. Never use external fuel sources or tanks that are not specifically designed for use with this heater.

UNPACKING

1. Remove all packing items applied to heater for shipment.
2. Remove all items from carton.
3. Check items for any shipping damage. If heater is damaged call ProCom Heating, Inc. at 1-855-607-6557 for replacement parts before returning to dealer.

ASSEMBLY

WIRE GUARD

All Models

Grasp wire guard from top of shell and pull towards front of heater until it locks into place in slots on both sides of upper shell.

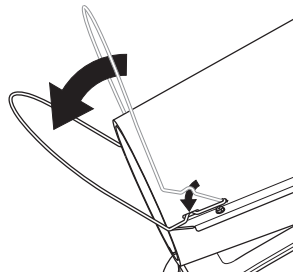


Figure 1 - Wire Guard Moved to Locked Position

PRODUCT IDENTIFICATION AND LABEL LOCATIONS

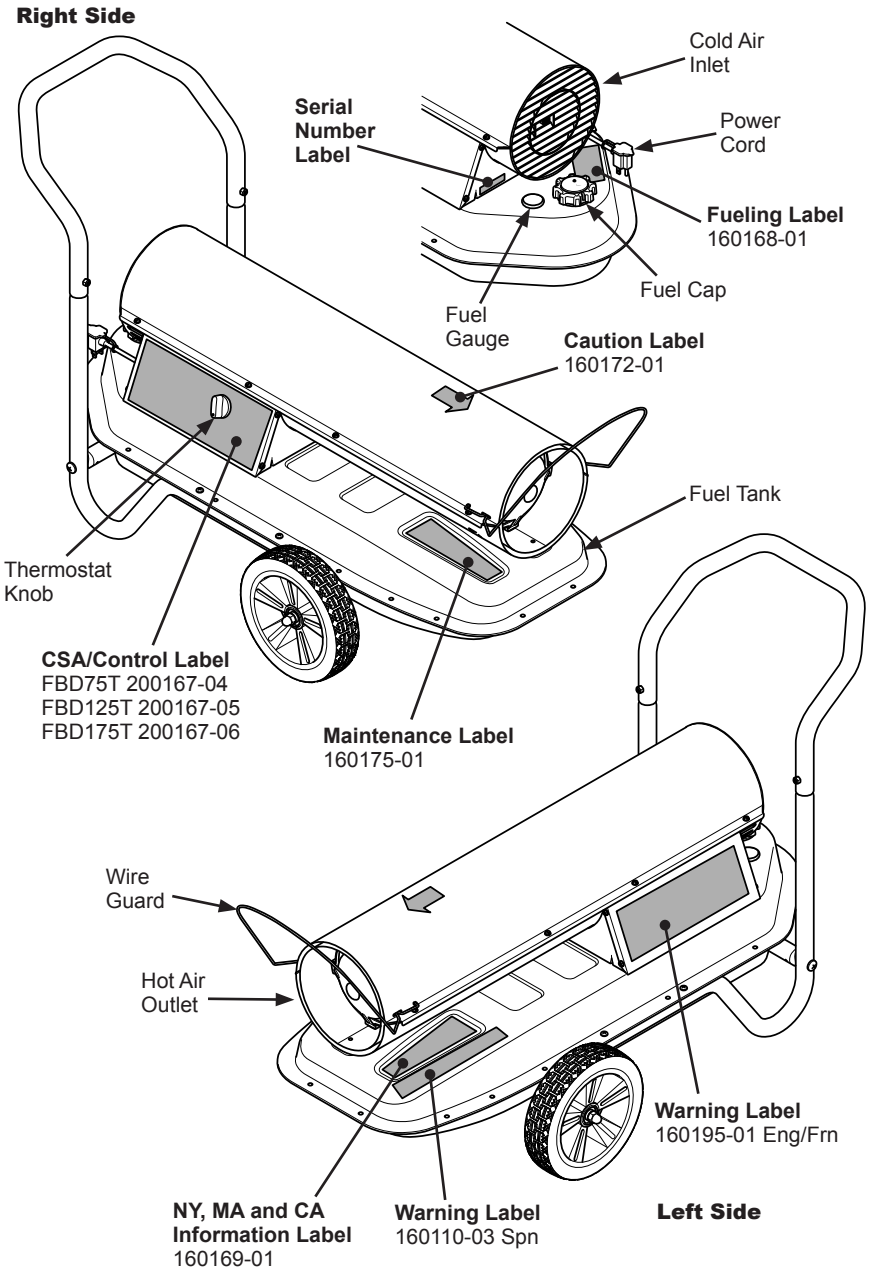


Figure 2 - Product Identification & Label Locations (FBD175T Shown)

SPECIFICATIONS

	FBD75T	FBD125T	FBD175T
Output Rating	75,000 Btu/Hr	125,000 Btu/Hr	175,000 Btu/Hr
Fuel	Use only kerosene, #1/#2 diesel*/fuel oil, JET A or JP-8 fuels		
Fuel Tank Capacity	5.5 gal/20.8 L	10 gal/37.9 L	10 gal/37.9 L
Fuel Consumption (per hr)	0.56 gal/2.2 L	0.93 gal/3.5 L	1.30 gal/4.9 L
Pump Pressure	3.6 PSI (hot)	6.8 PSI (hot)	6.8 PSI (hot)
Electric Requirements	120 V/60 HZ	120 V/60 HZ	120 V/60 HZ
Amperage (Normal Run)	3.0	3.5	3.5
Typical Motor Speed	3400 RPM	3400 RPM	3400 RPM
Motor	1/4 hp	1/4 hp	1/4 hp
Shipping Weight	37 lbs/16.8 kg	72 lbs/32.6 kg	72 lbs/32.6 kg
Heater Weight without Fuel (approx)	32 lbs/14.5 kg	64 lbs/29 kg	64 lbs/29 kg

FUELS

⚠ WARNING: Use only kerosene, #1/#2 diesel/fuel oil, JET A or JP-8 fuels to avoid risk of fire or explosion. Never use gasoline, oil drained from crank-cases, naphtha, paint thinners, alcohol or other highly flammable fuels.

Use only kerosene, #1/#2 diesel*/fuel oil, JET A, JP-8 fuels. Heavier fuels such as No. 2 fuel oil, No. 2 diesel fuel may also be used but will result in:

- noticeable odor
- additional fuel filter maintenance
- * Use of #2 diesel/fuel oil in extreme cold temperatures may require nontoxic anti-icer additives.

Do not use fuels heavier than No. 2 grade or heavy oils such as oil drained from crank-cases. These heavy oils will not ignite properly and will contaminate the heater.

IMPORTANT: Use a KEROSENE ONLY (blue) or DIESEL ONLY (yellow) storage container. Be sure storage container is clean. Foreign matter such as rust, dirt or water will cause the ignition control assembly to shut down heater. Foreign matter may also require heater's fuel system to be frequently cleaned.

VENTILATION

⚠ WARNING: Provide a fresh air opening of at least three square feet (2,800 square cm) for each 100,000 BTU/HR rating. Provide extra fresh air if more heaters are being used. The minimum ventilation requirements must be followed to avoid risks associated with carbon monoxide poisoning. Make certain these requirements are met prior to operating heater.

Example: A 80,000 Btu/Hr (23.4 kw) heater requires one of the following:

- a two-car garage door [16 feet (4.88 meter) opening] raised 2.2" (5.6 cm)
- a single-car garage door [9 feet (2.74 meter) opening] raised 3.3" (7.4 cm)
- two, 30" (76.2 cm) windows raised 6.2" (13.9 cm)

OPERATION

IMPORTANT: Review and understand the warnings in the Safety section, pages 2 and 3. They are needed to safely operate this heater. Follow all local ordinances and codes when using this heater.

TO START HEATER

1. Follow all ventilation and safety information.
2. Locate heater to provide maximum circulation of the heated air. Follow all location requirements noted in Safety, pages 2 and 3.
3. Fill fuel tank with fuel and attach fuel cap. Use only kerosene, #1/#2 diesel/fuel oil, JET A or JP-8 fuels to avoid risk of fire or explosion. Never use gasoline, oil drained from crank cases, naphtha, paint thinners, alcohol or other flammable fuels.
4. Plug heater's power cord into approved, grounded, three-wire extension cord. Extension cord must be at least 6 feet (1.8 m) long.

Extension Cord Size Requirement

- 6 to 10 feet (1.8 to 3 m) long, use 18 AWG (0.75 mm²) rated cord
 - 11 to 100 feet (3.3 to 30.5 m) long, use 16 AWG (1.0 mm²) rated cord
 - 101 to 200 feet (30.8 to 61 m) long, use 14 AWG (1.5 mm²) rated cord
5. Plug extension cord into standard 120 volt/60 hertz, 3-prong grounded outlet.
 6. Turn thermostat knob to the desired temperature setting.

If thermostat set temperature is higher than the surrounding air temperature, heater should ignite immediately. If heater thermostat set temperature is lower than surrounding air temperature, heater will not ignite. Exposure to direct sunlight or extreme cold may affect temperature reading and/or thermostat operation.

The LED will flash for 8 seconds before ignition. The LED will remain on during heater operation, even if the heater is cycled off by the thermostat. The LED will flash rapidly if the heater shuts down for any reason (*Example: If out of fuel*).

⚠ WARNING: This heater is equipped with a thermostat. Heater may start at any time.

TO STOP HEATER

1. Turn thermostat knob counterclockwise to STANDBY.
2. Unplug heater when not in use.

TO RESET HEATER

1. Wait two minutes before restarting.
2. Turn thermostat knob to STANDBY for 10 seconds, then restart heater.

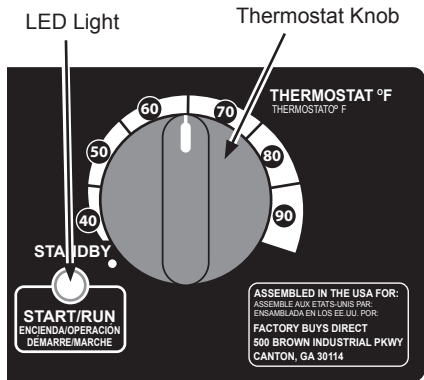


Figure 3 - Controls Display

OPERATION WITH PORTABLE GENERATOR

⚠ WARNING: Before operating heater or any appliance from a portable generator, verify that generator has been properly connected to earth ground. Improper grounding or failure to ground generator can result in electrocution if a ground fault occurs. Refer to owner's manual supplied by generator manufacturer for proper grounding procedures.

Operating voltage range of heater is 95 to 135 Volts. Prior to plugging heater into generator output voltage should be verified (if generator is equipped with automatic idle feature, output voltage should be measured with generator running at full speed). If voltage does not

measure in this range heater should not be plugged into generator.

Refer to *Operation*, page 6, for starting, stopping and resetting heater procedures.

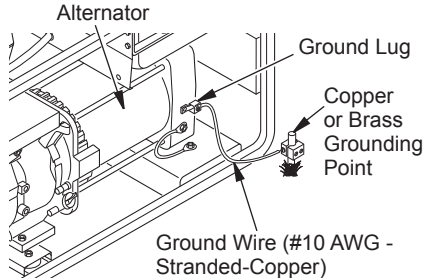


Figure 4 - Typical Generator Grounding Method (Generator construction may vary from that shown)

STORING, TRANSPORTING OR SHIPPING

Note: If shipping, transport companies require fuel tanks to be empty.

1. Remove excess fuel from tank using a siphon pump. Drain remaining fuel through filler neck by tipping heater to the rear.
2. If any debris is noted in old fuel, add 1 or 2 quarts of clean kerosene to tank, stir and drain again. This will prevent excess debris from clogging filters during future use.

3. Properly dispose of old and dirty fuel. Check with local automotive service stations that recycle oil.
4. If storing, store heater in dry place. Make sure storage place is free of dust and corrosive fumes.

IMPORTANT: Do not store kerosene over summer months for use during next heating season. Using old fuel could damage heater.

PREVENTATIVE MAINTENANCE SCHEDULE

⚠ WARNING: Never service heater while it is plugged in, operating or hot. Severe burns and electrical shock can occur.

Item	How Often	How To
Fuel tank	Clean every season or as needed.	See <i>Storing, Transporting, or Shipping</i> , above.
Air output and lint filters	Replace every 500 hours of operation or once a year.	See <i>Air Output, Air Intake and Lint Filters</i> , page 10.
Air intake filter	Wash and dry with soap and water every 500 hours of operation or as needed.	See <i>Air Output, Air Intake and Lint Filters</i> , page 10.
Fuel filter	Clean twice a heating season or as needed.	See <i>Fuel Filter</i> , page 11.
Fan blades	Clean every season or as needed.	See <i>Fan</i> , page 10.
Motor	Not required/permanently lubricated.	

TROUBLESHOOTING

⚠ WARNING: Never service heater while it is plugged in, operating or hot. Severe burns and electrical shock can occur.

⚠ WARNING: High voltage! Unplug heater before servicing.

FAULT CONDITION	POSSIBLE CAUSE	REMEDY
Motor does not start eight seconds after heater is plugged in.	<ol style="list-style-type: none"> 1. No power to heater. 2. Thermostat setting is too low. 3. Bad electrical connection between motor and ignition control assembly or ignition control assembly and power cord. 4. Binding pump rotor. 5. Defective ignition control assembly. 6. Defective motor. 	<ol style="list-style-type: none"> 1. Check circuit breaker in electrical panel. 2. Turn thermostat knob to a higher setting. 3. Check all electrical connections. See <i>Wiring Diagram</i>, page 15. 4. If fan does not turn freely, see <i>Pump Rotor</i>, page 14. 5. Replace ignition control assembly. See <i>Ignition Control Assembly</i>, page 13. 6. Replace motor.
Motor starts and runs but heater does not ignite.	<ol style="list-style-type: none"> 1. No fuel in tank. 2. Pump pressure incorrect. 3. Dirty fuel filter. 4. Obstruction in nozzle. 5. Water in fuel tank. 6. Bad electrical connection between ignitor and ignition control assembly. 7. Defective ignitor. 8. Defective ignition control assembly. 	<ol style="list-style-type: none"> 1. Fill tank with kerosene. 2. See <i>Pump Pressure Adjustment</i>, page 11. 3. See <i>Fuel Filter</i>, page 11. 4. See <i>Nozzle Assembly</i>, page 13. 5. Drain and flush fuel tank with clean kerosene. See <i>Storing, Transporting, or Shipping</i>, page 7. 6. Check electrical connections. See <i>Wiring Diagram</i>, page 15. 7. Replace ignitor, see page 12. 8. Replace ignition control assembly. See <i>Ignition Control Assembly</i>, page 13.

TROUBLESHOOTING

⚠ WARNING: High voltage! Unplug heater before servicing.

FAULT CONDITION	POSSIBLE CAUSE	REMEDY
Heater ignites but ignition control assembly shuts heater off after a short period of time.	<ol style="list-style-type: none"> 1. Pump pressure incorrect. 2. Dirty air intake, air output, and/or lint filter. 3. Dirty fuel filter. 4. Obstruction in nozzle. 5. Photocell assembly not properly installed (not seeing the flame). 6. Dirty photocell lens. 7. Bad electrical connection between photocell and ignition control assembly. 8. Defective photocell. 9. Defective ignition control assembly. 	<ol style="list-style-type: none"> 1. See <u>Pump Pressure Adjustment</u>, page 11. 2. See <u>Air Output, Air Intake, and Lint Filters</u>, page 10. 3. See <u>Fuel Filter</u>, page 11. 4. See <u>Nozzle Assembly</u>, page 13. 5. Make sure photocell boot is properly seated in bracket. 6. Clean photocell lens. 7. Check electrical connections. See <u>Wiring Diagram</u>, page 15. 8. Replace photocell. 9. Replace ignition control assembly. See <u>Ignition Control Assembly</u>, page 13.

SERVICE PROCEDURES

⚠ WARNING: To avoid risk of burn and electrical shock, never attempt to service heater while it is plugged in, operating, or hot.

UPPER SHELL REMOVAL

1. Remove screws along each side of heater using 5/16" nut-driver. These screws attach upper and lower shells together. See Figure 5.
2. Lift upper shell off.
3. Remove fan guard.

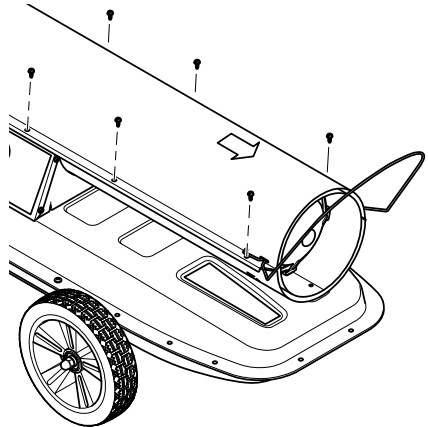


Figure 5 - Upper Shell Removal

SERVICE PROCEDURES

FAN

IMPORTANT: Remove fan from motor shaft before removing motor from heater. The weight of the motor resting on the fan could damage the fan pitch (see Figure 6).

1. Remove upper shell (see Figure 5, page 9).
2. The fan is located with the set screw in contact with the back of flat on motor as shown in Figure 6.
3. Use 1/8" Allen wrench to loosen setscrew which holds fan to motor shaft (see Figure 6).
4. Slip fan off motor shaft.
5. Clean fan using a soft cloth moistened with kerosene or solvent.
6. Dry fan thoroughly.
7. Place setscrew on flat of shaft. Tighten setscrew firmly (40-50 inch-pounds/4.5-5.6 n-m).
8. Replace fan guard and upper shell.

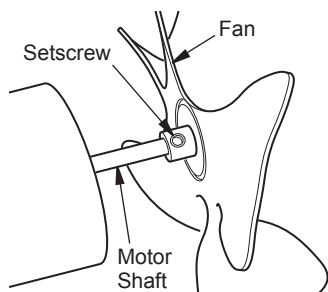


Figure 6 - Fan, Motor Shaft, and Setscrew Location

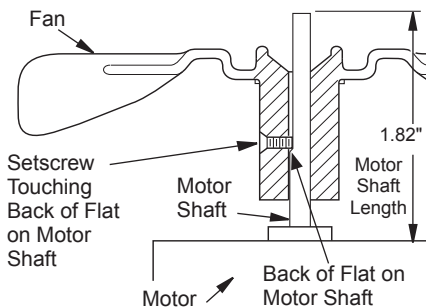


Figure 7 - Fan Cross Section

AIR OUTPUT, AIR INTAKE AND LINT FILTERS

1. Remove upper shell (see Figure 5, page 9).
2. Remove filter end cover screws using 5/16" nut-driver (see Figure 8).
3. Remove filter end cover.
4. Replace air output and lint filters.
5. Wash or replace air intake filter.
6. Replace filter end cover.
7. Replace fan guard and upper shell.

IMPORTANT: Do not oil filters.

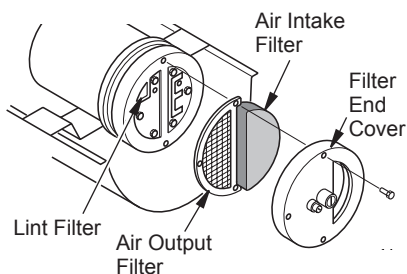


Figure 8 - Air Output, Air Intake, and Lint Filters

SERVICE PROCEDURES

PUMP PRESSURE ADJUSTMENT

1. Remove pressure gauge plug from filter end cover (see Figure 9).
2. Install 0-15 PSI pressure gauge.
3. Start heater (see *Operation*, page 6). Allow heater to reach operating temperature (approx. 10 minutes).
4. Adjust pressure. Turn relief valve to right to increase pressure. Turn relief valve to left to decrease pressure. See specifications in Figure 10 for correct pressure.
5. Remove pressure gauge. Replace pressure gauge plug in filter end cover.

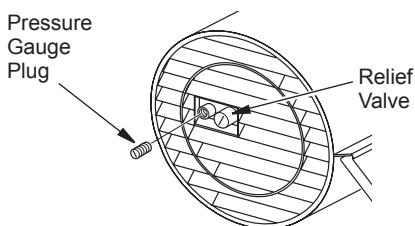


Figure 9 - Pressure Gauge Plug Removal

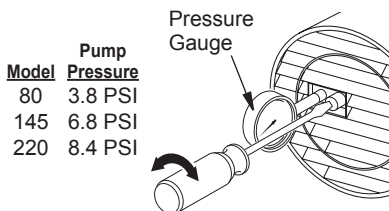


Figure 10 - Adjusting Pump Pressure

FUEL FILTER

1. Remove side cover screws using 5/16" nut-driver.
2. Remove side cover.
3. Pull upper fuel line off fuel filter neck (see Figure 11).
4. Carefully pry bushing, fuel filter, and lower fuel line out of fuel tank (see Figure 11).
5. Wash fuel filter with clean fuel and replace in tank.
6. Attach upper fuel line to fuel filter neck.
7. Replace side cover.

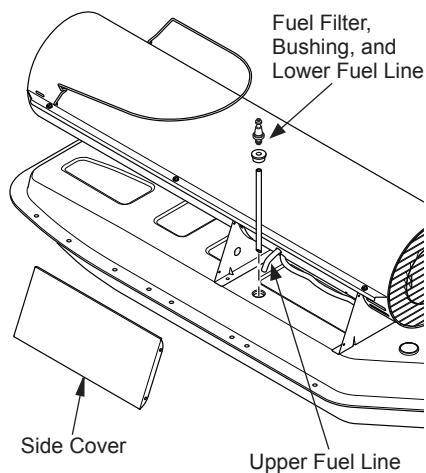


Figure 11 - Fuel Filter Removal

SERVICE PROCEDURES

IGNITOR

1. Remove upper shell and fan guard (See [Upper Shell Removal](#), page 9).
2. Remove fan (see page 10).
3. Remove the control side cover with a 5/16" nut driver. Remove side cover (see Figure 12).
4. Disconnect ignitor wires from ignition control assembly (see Figure 12). Pull the ignitor wires up through the hole in the lower shell.
5. Disconnect fuel line hose and air line hose. Remove photocell from photocell bracket (see Figure 12).
6. Remove combustion chamber. Stand combustion chamber on end with nozzle adapter bracket on top (see Figure 13).
7. Remove ignitor screw with a 1/4" nut driver. Carefully remove ignitor from nozzle adapter bracket.

CAUTION: Do not bend or strike ignitor element. Handle with care.

8. Carefully remove replacement ignitor from packing.
9. Carefully guide ignitor into opening in nozzle adapter bracket. Do not strike ignitor element. Attach ignitor to nozzle adapter bracket with screw using a 1/4" nut driver. Torque 0.90 to 1.69 N-m (8 to 15 in-lbs) Do not over torque.
10. Replace combustion chamber.
11. Route the ignitor wires back down through the hole in the lower shell. Connect wires to the ignition control assembly (see Figure 12).
12. Replace control side cover.
13. Connect and route fuel line hose and air line hose to nozzle adapter assembly.
14. Replace photocell in photocell bracket.
15. Replace fan (see page 10).
16. Replace fan guard and upper shell (see pages 9 and 10).

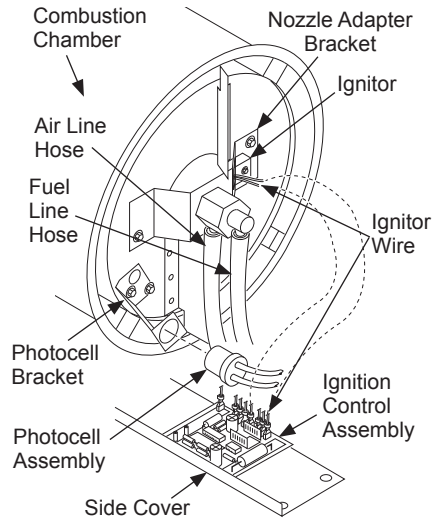


Figure 12 - Disconnecting Ignitor Wires from Ignition Control Assembly

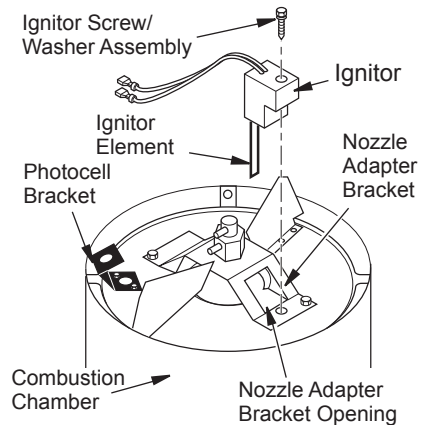


Figure 13 - Ignitor SP002-01 Replacement

SERVICE PROCEDURES

NOZZLE ASSEMBLY

1. Remove upper shell (see *Upper Shell Removal*, page 9).
2. Remove fan (see *Fan*, page 10).
3. Remove fuel and air line hoses from nozzle assembly (see Figure 14).
4. Turn nozzle assembly 1/4 turn to left and pull toward motor to remove (see Figure 15).
5. Place plastic hex-body into vise and lightly tighten.
6. Carefully remove nozzle from the nozzle adapter using 5/8" socket wrench (see Figure 16).
7. Blow compressed air through face of nozzle. This will free any dirt in nozzle area.
8. Inspect nozzle sleeve for damage.
9. Replace nozzle into nozzle adapter until nozzle seats. Tighten 1/3 turn more using 5/8" socket wrench 4.5 to 5.1 N-m (40 to 45 in-lbs). See Figure 16.
10. Attach nozzle assembly to burner strap (see Figure 15).
11. Attach fuel and airline hoses to nozzle assembly.
12. Replace fan (see *Fan*, page 10).
13. Replace fan guard and upper shell (see *Upper Shell Removal*, page 9).

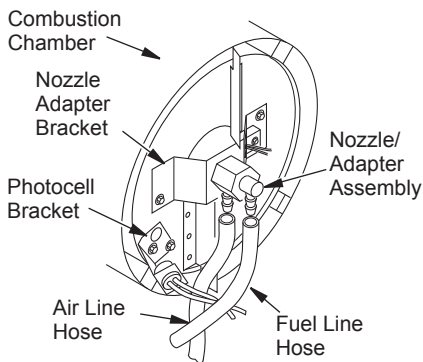


Figure 14 - Removing Air and Fuel Line Hoses

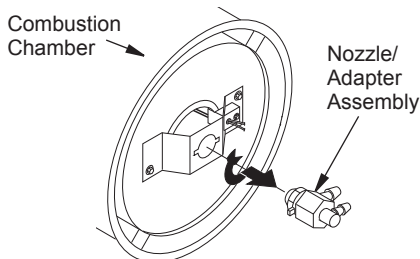


Figure 15 - Removing Nozzle/Adapter Assembly

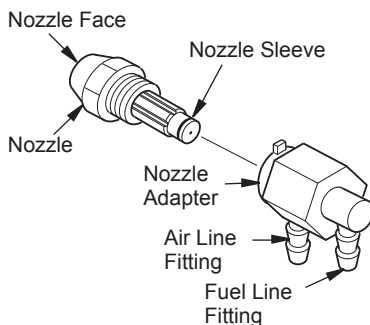


Figure 16 - Nozzle and Nozzle Adapter

IGNITION CONTROL ASSEMBLY

⚠ WARNING: High voltage!

1. Unplug heater.
2. To expose the ignition control assembly, remove the control panel side cover screws using 5/16" nut-driver.
3. Remove old ignition control assembly. Install new ignition control assembly (see Figure 12, page 12).
4. Replace control panel side cover.

SERVICE PROCEDURES

PUMP ROTOR

(Procedure if Rotor is Binding)

1. Remove upper shell (see Upper Shell Removal, page 9).
2. Remove filter end cover screws using 5/16" nut driver (see Figure 17).
3. Remove filter end cover and air filters.
4. Remove pump plate screws using 5/16" nut-driver.
5. Remove pump plate.
6. Remove rotor, insert, and blades (see Figure 18).
7. Check for debris in pump. If debris is found, blow out with compressed air.
8. Install insert and rotor.
9. Check gap on rotor. Adjust to 0.076/0.101 mm (0.003"/0.004") if needed (see Figure 18).

Note: Rotate rotor one full turn to ensure the gap is 0.076/0.101 mm (0.003"/0.004") at tightest position. Adjust if needed.

10. Install blades, pump plate, air filters, and filter end cover.
11. Replace fan guard and upper shell (see Upper Shell Removal, page 9).
12. Adjust pump pressure (see Pump Pressure Adjustment, page 11).

Note: If rotor is still binding, proceed as follows.

13. Perform steps 1 through 6.
14. Place fine grade sandpaper (600 grit) on flat surface. Sand rotor lightly in "figure 8" motion four times (see Figure 19).
15. Reinstall insert and rotor.
16. Perform steps 10 through 12.

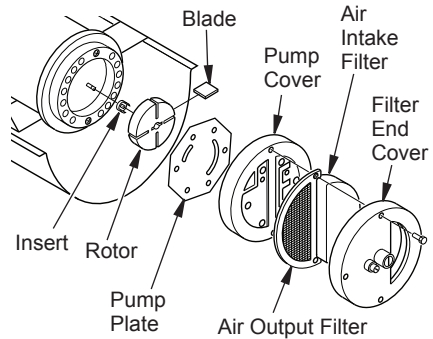


Figure 17 - Rotor Location

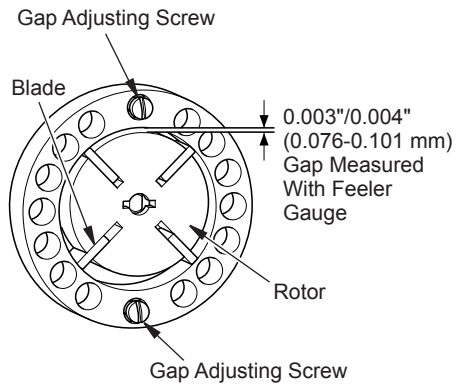


Figure 18 - Gap Adjusting Screw Locations

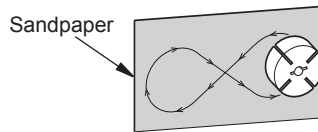
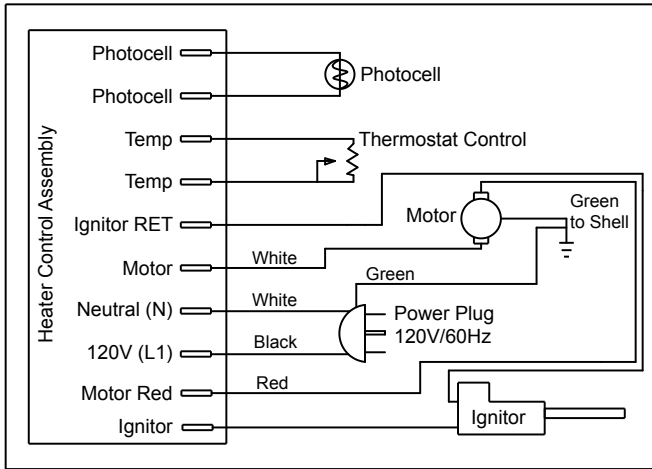


Figure 19 - Sanding Rotor

WIRING DIAGRAM



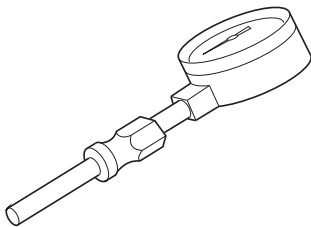
TECHNICAL SERVICE

You may have further questions about installation, operation, or troubleshooting. If so, contact Factory Buys Direct at 1-855-607-6557.

When calling, please have your model and serial numbers of your heater ready.

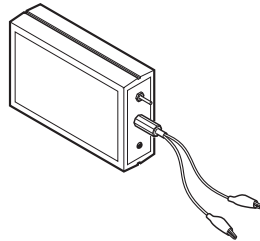
ACCESSORIES

To purchase heater accessories and parts call Factory Buys Direct at 1-855-607-6557.



ST002-01 AIR GAUGE KIT

Special tool to check pump pressure.
0-15 PSI gauge. 3/8" NPT pipe thread.

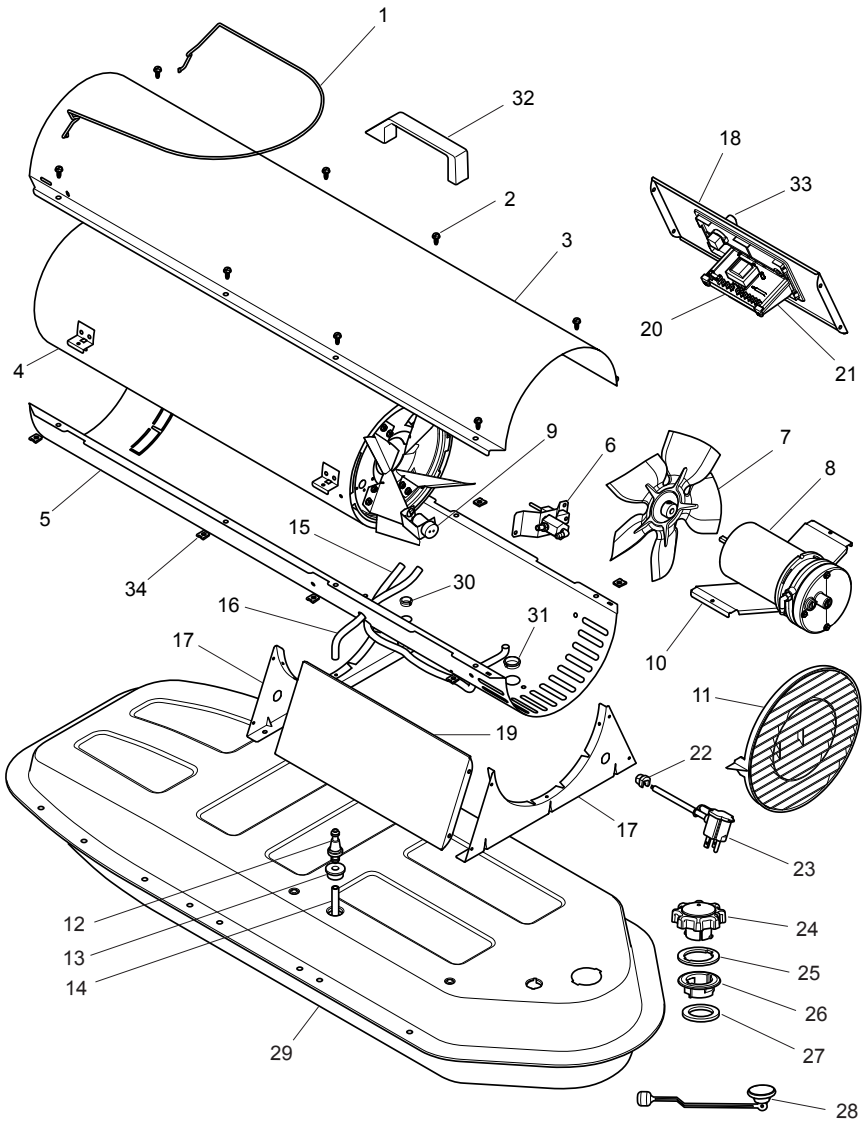


ST001-01 IGNITION CONTROL ASSEMBLY/ PHOTOCELL TESTER

Special tool used to test the ignition control assembly and photocell.

PARTS

MODELS FBD75T, FBD125T & FBD175T



PARTS

MODELS FBD75T, FBD125T & FBD175T

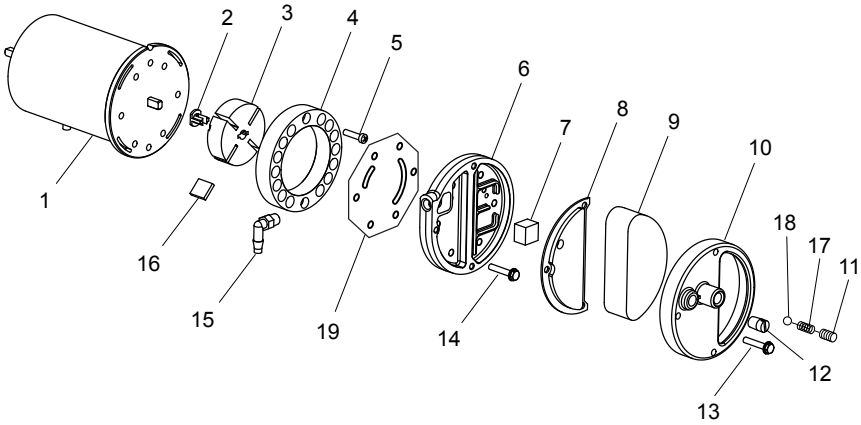
This list contains replaceable parts used in your heater. When ordering parts, be sure to provide correct model and serial numbers (from model plate), and part number and description of desired part.

Key	FBD75T	FBD125T	FBD175T	Description	QTY
1	160075-01	160075-02	160075-02	Wire Guard	1
2	**	**	**	Shell Screw	8 or 10
3	**	**	**	Upper Shell	1
4	**	**	**	Combustion Chamber Assy	1
5	**	**	**	Lower Shell	1
6	<i>see detail, page 19</i>			Nozzle Bracket Assembly	
7	160011-01	160058-01	160058-01	Fan	1
8	<i>see detail, page 18</i>			Motor/Pump Assembly	
9	<i>see detail, page 19</i>			Photocell/Bracket Assembly	
10	160043-01	160043-02	160043-02	Motor Mounting Bracket	1
11	160066-01	160066-02	160066-02	Fan Guard	1
12	160012-02	160012-01	160012-01	Fuel Filter	1
13	**	**	**	Fuel Tube Bushing	1
14	160038-01	160038-02	160038-02	Lower Fuel Line	1
15	160037-02	160037-02	160037-02	Airline Tubing	1
16	160039-01	160039-01	160039-01	Upper Fuel Line	1
17	**	**	**	Shell Bracket	2
18	160184-01	160184-02	160184-02	Right Side Cover	1
19	160183-01	160183-02	160183-02	Left Side Cover	1
20	113471-02	113471-02	113471-02	LED Thermostat Control	1
21	160190-01	160190-01	160190-01	Thermostat Control Bracket	1
22	160013-01	160013-01	160013-01	Strain Relief Bushing	1
23	160021-01	160021-01	160021-01	Power Supply Cord	1
24	160030-01	160030-01	160030-01	Vented Fuel Cap Assy.	1
25	160030-03	160030-03	160030-03	Vented Fuel Cap Gasket	1
26	160031-01	160031-01	160031-01	Plastic Filler Neck	1
27	160036-01	160036-01	160036-01	Filler Neck Gasket	1
28	160005-01	160005-02	160005-02	Fuel Gauge	1
29	160139-01BK	160140-01BK	160140-01BK	Fuel Tank Assembly	1
30	**	**	**	Shorty Bushing .512	1
31	**	**	**	Shorty Bushing .866	1
32	160185-01	----	----	Plastic Handle	1
	160186-01	----	----	Handle Bracket	1
33	160027-01	160027-01	160027-01	Control Knob	1
34	**	**	**	Clip, Nut, #10, .030 Wall	8 or 10

** Not a field replaceable part.

PARTS

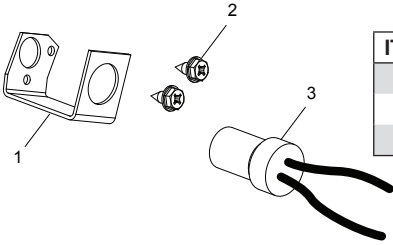
MOTOR AND PUMP ASSEMBLY MODELS FBD75T, FBD125T & FBD175T



ITEM	PART #	DESCRIPTION	QTY
1	160001-01	Motor	1
2	160023-01	Rotor Insert	1
3	160003-02	Pump Rotor	1
4	160006-01	Pump Body	1
5	160088-01	Screw, 10-32 x .62	2
6	160007-01	Pump Cover	1
7	160009-01	Lint Filter	1
8	160008-01	Output Filter Assembly	1
9	160010-01	Intake Filter	1
10	160057-01	Filter End Cover	1
11	160025-01	Adjusting Screw	1
12	160024-01	Pipe Plug	1
13	160090-01	Screw, 10-32 x 1.0	3
14	160089-01	Screw, 10-32 x 1.12	6
15	160029-01	90° Nylon Elbow	1
16	160004-01	Pump Blade	4
17	160052-01	Pressure Relief Spring	1-2
18	160053-01	Steel Ball	1
19	160189-01	Pump Plate	1

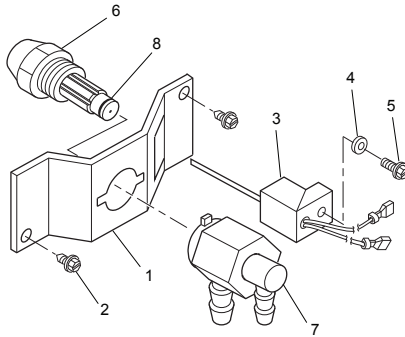
PARTS

PHOTOCELL ASSEMBLY MODELS FBD75T, FBD125T & FBD175T



ITEM	PART #	DESCRIPTION	QTY
1	160041-03	Photocell Bracket	1
2	160092-02	Screw, 6-32 x .38	2
3	160016-01	Photocell Assembly	1

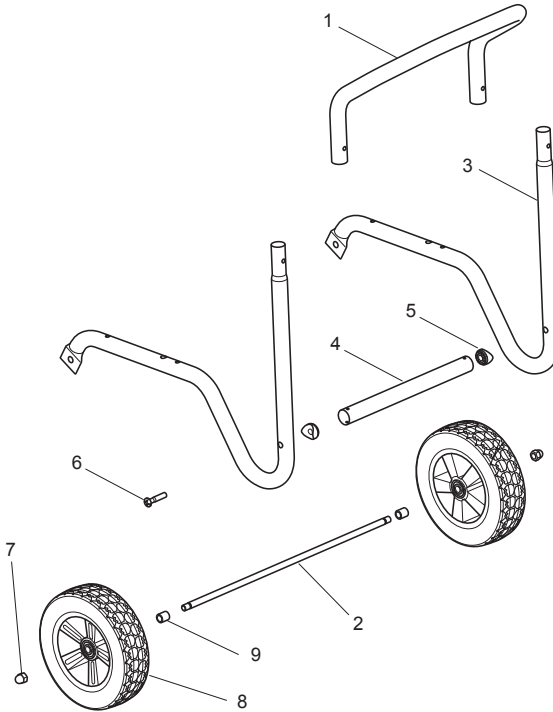
NOZZLE ASSEMBLY MODELS FBD75T, FBD125T & FBD175T



Item	FBD75T	FBD125T	FBD175T	Description	Qty
1	160042-01	160042-01	160042-01	Nozzle Adapter Bracket	1
2	160102-01	160102-01	160102-01	Screw, 10-16 x .38	1
3	160002-01	160002-01	160002-01	Ignitor	1
4	160093-01	160093-01	160093-01	Belleville Washer	1
5	160092-01	160092-01	160092-01	Screw, 6-32 X .88	1
6	160040-32	160040-38	160040-39	Nozzle Assembly	1
7	160028-01	160028-01	160028-01	Nozzle Adapter	1
8	160040-E	160040-E	160040-E	O-Ring	1

PARTS

WHEEL AND HANDLES MODELS FBD125T & FBD175T



ITEM	PART #	DESCRIPTION	QTY
1	160074-01	Rear Handle	1
2	160079-01	Axle	1
3	160072-01	Wheel Support Frame	2
4	160158-01	Support Bushing	2
5	160072-12	Fuel Tank Support Assembly	1
6	160072-13	Screw, M10-1.5 x 60	2
7	160129-01	Acorn Nut	2
8	160080-01	Wheel	2
9	160130-01	Wheel Spacer	2

REPLACEMENT PARTS

Note: Use only original replacement parts. This will protect your warranty coverage for parts replaced under warranty.

PARTS UNDER WARRANTY

Contact authorized dealers of this product. If they can't supply original replacement parts, call Customer Service toll free at 1-855-607-6557 for referral information.

When calling Customer Service or your dealer, have ready:

- Your name
- Your address

- Model and serial number of your heater
- How heater was malfunctioning
- Type of gas supply and Propane/LP tank size
- Purchase date

Usually, we will ask you to return the defective part to the factory

PARTS NOT UNDER WARRANTY

Contact authorized dealers of this product. If they can't supply original replacement part(s) call Customer Service toll free at 1-855-607-6557 for referral information.

When calling Customer Service have ready:

- Model number of your heater
- The replacement part number

WARRANTY

KEEP THIS WARRANTY

Model _____

Serial No. _____

Date Purchased _____

Keep receipt for warranty verification.

REGISTER YOUR PRODUCT AT WWW.FACTORYBUYSDIRECT.COM

FACTORY BUYS DIRECT LIMITED WARRANTIES

New Products – Outdoor Heating

Standard Warranty: Factory Buys Direct warrants this new product and any parts thereof to be free from defects in material and workmanship for a period of one (1) year from the date of first purchase from an authorized dealer provided the product has been installed, maintained and operated in accordance with Factory Buys Direct's warnings and instructions.

For products purchased for commercial, industrial or rental usage, this warranty is limited to 90 days from the date of first purchase.

Factory Reconditioned Products

Limited Warranty: Factory Buys Direct warrants factory reconditioned products and any parts thereof to be free from defects in material and workmanship for a period 30 days from the date of first purchase from an authorized dealer provided the product has been installed, maintained and operated in accordance with Factory Buys Direct's warnings and instructions. No return will be authorized. Parts will be provided to repair the product.

Terms Common to All Warranties

The following terms apply to all of the above warranties:

Always specify model number and serial number when contacting the manufacturer. To make a claim under this warranty, the bill of sale or other proof of purchase must be presented.

This warranty is extended only to the original retail purchaser when purchased from an authorized dealer, and only when installed by a qualified installer in accordance with all local codes and instructions furnished with this product.

This warranty covers the cost of part(s) required to restore this product to proper operating condition and an allowance for labor when provided by a Factory Buys Direct Authorized Service Center or a provider approved by Factory Buys Direct. Warranty parts must be obtained through authorized dealers of this product and/or Factory Buys Direct who will provide original factory replacement parts. Failure to use original factory replacement parts will void this warranty.

Traveling, handling, transportation, diagnostic, material, labor and incidental costs associated with warranty repairs, unless expressly covered by this warranty, are not reimbursable under this warranty and are the responsibility of the owner.

Excluded from this warranty are products or parts that fail or become damaged due to misuse, accidents, improper installation, lack of proper maintenance, tampering or alteration(s).

This is Factory Buys Direct's exclusive warranty, and to the full extent allowed by law; this express warranty excludes any and all other warranties, express or implied, written or verbal and limits the duration of any and all implied warranties, including warranties of merchantability and fitness for a particular purpose to one (1) year on new products and 30 days on factory reconditioned products from the date of first purchase.

Factory Buys Direct makes no other warranties regarding this product.

Factory Buys Direct's liability is limited to the purchase price of the product and Factory Buys Direct shall not be liable for any other damages whatsoever under any circumstances including direct, indirect, incidental, or consequential damages.

Some states do not allow limitations on how long an implied warranty lasts or the exclusion or limitation of incidental or consequential damages, so the above limitation or exclusion may not apply to you.

This warranty gives you specific legal rights, and you may also have other rights which vary from state to state.



**FACTORY
BUYS
DIRECT.COM**

Factory Buys Direct
500 Brown Industrial Parkway
Canton, GA 30114
1-855-607-6557

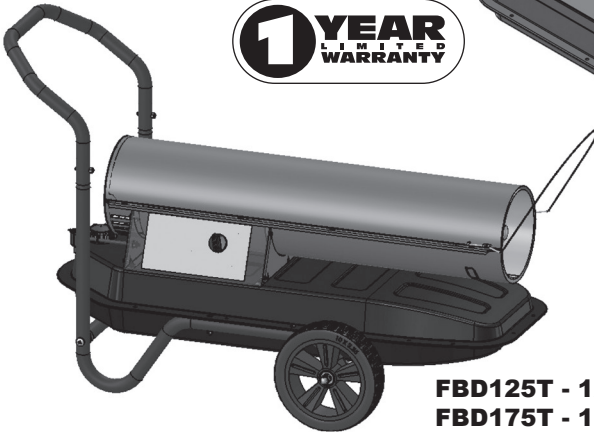
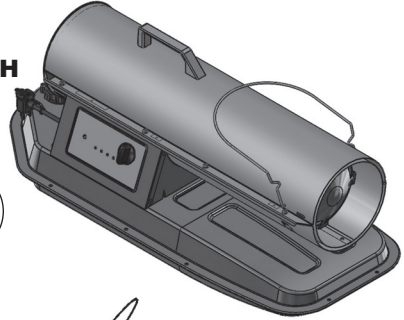
160942-01
Rev. A
01/15



**FACTORY
BUYS
DIRECT.COM**

**CALENTADORE PORTÁTILES DE AIRE FORZADO
CALENTADOR DE KEROSENO/DIESEL CON TERMOSTATO
INCORPORADO
MANUAL DEL PROPIETARIO**

**FBD75T
75,000 BTU/H**



**FBD125T - 125,000 BTU/H
FBD175T - 175,000 BTU/H**

IMPORTANTE: Lea y comprenda este manual antes de ensamblar, encender o dar servicio al calentador. El uso inadecuado del calentador puede causar lesiones graves. Conserve este manual para referencias futuras.

**Nunca utilice el calentador en dormitorios o salas de estar y para el uso en combustible pisos.
Calentador apto para uso en exteriores.**



Preguntas, problemas, piezas faltantes? Antes de volver a la tienda, llame a nuestro departamento de servicio al cliente al 1-855-607-6557, de 8:00 am - 4:30 pm hora estándar del este, de lunes a viernes, o por correo electrónico info@factorybuysdirect.com.

TABLA DE CONTENIDOS

Seguridad	24	Almacenamiento, transporte y envío	30
Desempaque	26	Programa de mantenimiento preventivo..	31
Ensamble.....	26	Solución de problemas	31
Especificaciones	26	Procedimientos de servicio.....	33
Identificación del producto y ubicación de la etiqueta.....	27	Diagrama de cableado	39
Combustibles.....	28	Servicio técnico	39
Ventilación	28	Accesorios.....	39
Funcionamiento.....	29	Piezas.....	40
Funcionamiento con generador portátil...	30	Piezas de repuesto.....	45
		Garantía.....	46

SEGURIDAD

⚠ ADVERTENCIA: Este producto contiene o genera químicos reconocidos por el estado de California como causantes de cáncer o de defectos de nacimiento, u otros daños reproductivos.

IMPORTANTE: Lea este manual del propietario cuidadosa y completamente antes de intentar ensamblar, operar o dar servicio a este calentador. El uso inadecuado de este calentador puede causar lesiones graves o la muerte por quemaduras, incendio, explosión, electrocución e intoxicación con monóxido de carbono.

⚠ PELIGRO: ¡La intoxicación con monóxido de carbono puede resultar en la muerte!

Intoxicación por monóxido de carbono:

Los primeros síntomas de intoxicación por monóxido de carbono son similares a los de la gripe e incluyen jaqueca, mareos o náuseas. Si usted presenta estos síntomas, es posible que el calentador no esté funcionando correctamente. **¡Respire aire fresco inmediatamente!** Haga que se le dé servicio al calentador. El monóxido de carbono afecta más algunas personas que a otras. Las más afectadas son mujeres embarazadas, personas con enfermedades del corazón o de los pulmones o anemia, aquellas bajo la influencia del alcohol y aquellas a grandes altitudes. Asegúrese de leer y comprender todas las advertencias. Conserve este manual como

referencia. Es su guía para la operación segura y correcta de este calentador.

1. Utilice sólo keroseno, diesel/aceite combustible N° 1 ó N° 2, bien o combustible de aviación JET A o JP-8 para evitar el riesgo de incendio o explosión. Nunca utilice gasolina, aceite usado de cárter, nafta, disolventes de pintura, alcohol u otros combustibles altamente inflamables.
2. Carga de combustible
 - a) El personal que realice la carga de combustible debe ser idóneo para esta tarea y conocer a profundidad las instrucciones del fabricante y las normas vigentes acerca de la carga de combustible de calentadores en condiciones de seguridad.
 - b) Sólo debe utilizarse el tipo de combustible indicado en la placa de datos del calentador.
 - c) Antes de cargar combustible, es necesario apagar cualquier llama y esperar a que el calentador se enfríe.
 - d) Durante la carga de combustible, todos los circuitos de combustible y sus conexiones deben inspeccionarse para comprobar que no existan fugas. Toda fuga deberá repararse antes de volver a utilizar el calentador.
 - e) Bajo ninguna circunstancia se deberá guardar el suministro diario de combustible del calentador en una construcción cercana al equipo. Los grandes volúmenes de combustible deben guardarse en el exterior de la estructura.
 - f) Todo lugar de almacenamiento de combustible debe situarse a una distancia de 7.62 m (25 pies) como mínimo de calentadores, antorchas, equipos de soldadura y otras fuentes de ignición similares (excepción: el depósito de

SEGURIDAD

- combustible integrado al calentador o todo tanque auxiliar autorizado que esté conectado al equipo).
- g) De ser posible, el combustible debe almacenarse en áreas en las que la penetración del suelo no permita que se filtre o se encienda a causa de un fuego proveniente de un lugar menos elevado.
- h) El almacenamiento de combustible debe cumplir con las disposiciones de la autoridad competente.
- Use solamente la tensión eléctrica y la frecuencia que se especifican en la placa donde aparece al número de modelo.
 - El calentador es apto para su uso en exteriores.
 - El calentador debe tener una conexión a tierra. Utilice únicamente un cable de extensión trifilar correctamente conectado a tierra. Enchúfelo solamente en un tomacorriente con conexión a tierra.
 - Utilice el equipo sólo en áreas sin vapores inflamables ni alta densidad de polvo.
 - Distancia mínima de materiales combustibles: 2.44 m (8 pies) desde la salida de aire caliente, 1.83 m (6 pies) desde la parte superior y 1.20 m (4 pies) desde los laterales y la entrada de la unidad.
 - Sitúe el calentador sobre una superficie estable y nivelada mientras está caliente o en funcionamiento, pues de lo contrario puede originarse un incendio.
 - El calentador puede utilizarse en pisos tales como de madera (un material combustible).
 - Úsese solamente en áreas bien ventiladas. Antes de usar el calentador, asegúrese de disponer de una abertura de al menos 2800 cm² (tres pies cuadrados) que permita la entrada de aire fresco por cada 30 kw (100,000 BTU/h) de clasificación.
 - Mantenga alejados a los niños y los animales en todo momento.
 - Nunca encienda el calentador cuando la cámara de combustión esté caliente o cuando se haya acumulado combustible en ella.
 - Este calentador está equipado con termostato. El calentador puede empezar a funcionar en cualquier momento.
 - Nunca deje el calentador conectado sin la supervisión de un adulto si es probable la presencia de niños o animales en el área.
 - Tenga precaución cuando mueva o almacene el calentador si el tanque aún contienen combustible. Puede ocurrir un derrame de combustible.
 - El calentador debe utilizarse sólo de acuerdo con las normas y códigos locales. Los residentes de Canadá deben consultar la norma *CSA B139, Código de instalación para equipo de combustión de petróleo para obtener información sobre el procedimiento* de instalación recomendado.
 - Nunca utilice gasolina, aceite usado de cárter, nafta, disolventes de pintura, alcohol u otros combustibles altamente inflamables.
 - Nunca utilice el calentador en áreas con gasolina, disolvente de pintura u otros vapores altamente inflamables.
 - Nunca utilice el calentador en dormitorios o salas de estar.
 - Nunca mueva, maneje, cargue combustible ni repare un calentador en funcionamiento, caliente o conectado.
 - Nunca conecte conductos a la parte anterior o posterior del calentador.
 - Los calentadores que se usen cerca de lonas impermeables y toldos o materiales protectores parecidos deben colocarse a una distancia segura con respecto a dichos materiales. La distancia mínima recomendada es de 3.048 m (10 pies). Se recomienda expresamente que tales materiales protectores sean retardadores del fuego. Estos materiales protectores deben estar bien asegurados para evitar que se enciendan o que bloqueen el calentador a causa de la acción del viento.
 - Desenchufe el calentador cuando no está en uso.
 - Nunca bloquee la entrada de aire (parte posterior) ni la salida de aire (parte anterior) del calentador.
 - Advertencia para los residentes de la ciudad de Nueva York**
El equipo sólo debe utilizarse en obras de construcción de conformidad con las disposiciones de los códigos de NYC vigentes.
 - No use nunca fuentes de combustible externas ni tanques que no hayan sido diseñados específicamente para utilizarse con este calentador.

DESEMPAQUE

1. Saque todos los materiales en los que se empacó el calentador para el envío.
2. Saque todas las piezas de la caja.
3. Revise el calentador para ver si hay algún daño debido al transporte. Si el calentador está dañado, llame a ProCom Heating, Inc. al 1-855-607-6557 para obtener piezas de repuesto antes de devolverlo al distribuidor.

ENSAMBLE

ALAMBRE GUARDIA

Todos los Modelos

Tire del protector hacia la parte delantera del calentador hasta que encaje en su lugar en las ranuras de ambos lados de la cubierta superior.

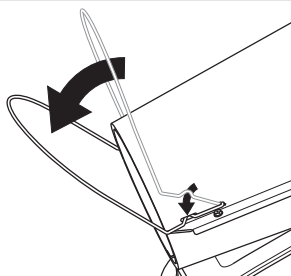


Figura 1 - Guarda de alambre trasladó a posición de bloqueo

ESPECIFICACIONES

	FBD75T	FBD125T	FBD175T
Potencia de salida	75,000 BTU	125,000 BTU	175,000 BTU
Combustible	Use solamente keroseno, diesel/aceite combustible #1 ó #2, combustible de aviación JET A o JP-8*		
Capacidad de combustible	5.5 gal/20,8 L	10 gal/37.9 L	10 gal/37.9 L
Consumo de combustible (por hora)	0.56 gal/2.2 L	0.93 gal/3.5 L	1.30 gal/4.9 L
La bomba de presión	3.6 PSI (caliente)	6.8 PSI (caliente)	6.8 PSI (caliente)
Requerimientos eléctricos	120 V/60 HZ	120 V/60 HZ	120 V/60 HZ
Amperaje (funcionamiento normal)	3.0	3.5	3.5
Velocidad típica del motor	3400 RPM	3400 RPM	3400 RPM
Motor	1/4 hp	1/4 hp	1/4 hp
Peso de envío	37 lbs/16.8 kg	72 lbs/32.6 kg	72 lbs/32.6 kg
Peso del calentador sin combustible (aprox)	32 lbs/14.5 kg	64 lbs/29 kg	64 lbs/29 kg

COMBUSTIBLES

⚠ ADVERTENCIA: Utilice sólo keroseno, diesel/aceite combustible N° 1 ó N° 2, o bien combustible de aviación JET A o JP-8 para evitar el riesgo de incendio o explosión. Nunca utilice gasolina, aceite usado de cárter, nafta, disolventes de pintura, alcohol u otros combustibles altamente inflamables.

Utilice sólo keroseno, diesel*/aceite combustible N° 1/N° 2, o bien combustible de aviación JET A o JP-8. También pueden utilizarse combustibles más pesados como aceite combustible N° 2 o diesel N° 2, aunque el efecto será:

- olor penetrante
- mantenimiento adicional del filtro de combustible

* El uso de diesel o aceite combustible N° 2 en temperaturas extremadamente bajas puede requerir aditivos anticongelantes no tóxicos. No utilice combustibles con densidad mayor a 2 ni aceites pesados como el aceite usado procedente del cárter. Este tipo de aceites pesados entra en combustión de forma inadecuada y contamina el calentador.

IMPORTANTE: Utilice un contenedor EXCLUSIVO PARA KEROSENO (azul) o EXCLUSIVO PARA DIESEL (amarillo) para almacenar estos combustibles. Asegúrese de que el contenedor esté limpio. Los elementos extraños como el óxido, la suciedad o el agua pueden causar que el sistema de control de encendido apague el calentador. Asimismo, requerirá la limpieza frecuente del sistema de combustible del calentador.

VENTILACIÓN

⚠ ADVERTENCIA: Asegúrese de que exista una abertura que permita la entrada de aire fresco de 2,800 cm² (3 pies cuadrados) como mínimo por cada 100,000 BTU/h de clasificación. Proporcione aire fresco adicional si se utilizan más calentadores. Es necesario cumplir con los requisitos mínimos de ventilación para evitar los riesgos vinculados con la intoxicación por monóxido de carbono. Verifique el cumplimiento de estos requisitos antes de utilizar el calentador.

Ejemplo: Un calentador de 80,000 BTU/h (23.4 kw) requiere una de las siguientes opciones:

- una puerta de garaje para dos autos [abertura de 4.88 metros (16 pies)] con una elevación de 5.6 cm (2.2")
- una puerta de garaje para un auto [abertura de 2.74 metros (9 pies)] con una elevación de 7.4 cm (3.3")
- dos ventanas de 76.2 cm (30") con una elevación de 13.9 cm (6.2")

FUNCIONAMIENTO

IMPORTANTE: Revise y asegúrese de comprender las advertencias indicadas en la sección Seguridad de la página 24. Son necesarias para hacer funcionar este calentador de manera segura. Al utilizar el calentador, siga todas las ordenanzas y códigos locales.

PARA ENCENDER EL CALENTADOR

1. Asegúrese de cumplir con todas las medidas de ventilación y seguridad.
2. Sitúe el calentador de forma tal que brinde la máxima circulación de aire caliente. Siga todos los requisitos de ubicación indicados en la sección Seguridad de la página 24.
3. Llene el tanque con combustible y adjunte la tapa del combustible. Utilice sólo keroseno, diesel/aceite combustible N° 1 o N° 2, o bien combustible de aviación JET A o JP-8 para evitar el riesgo de incendio o explosión. Nunca utilice gasolina, aceite usado de cárter, nafta, disolventes de pintura, alcohol u otros combustibles inflamables.
4. Conecte el cable de alimentación del calentador a un cable de extensión trifilar aprobado y con conexión a tierra. El cable de extensión debe tener una longitud de 1,8 m (seis pies) como mínimo.

Requisitos de tamaño del cable de extensión

- 1,8 a 3 m (6 a 10 pies) de longitud: utilice un cable 18 AWG (0,75 mm²)
 - 3,3 a 30,5 m (11 a 100 pies) de longitud: utilice un cable 16 AWG (1 mm²)
 - 30,8 a 61 m (101 a 200 pies) de longitud: utilice un cable 14 AWG (1,5 mm²)
5. Conecte el cable de extensión un tomacorriente estándar de tres orificios de 120 voltios/60 hertz con conexión a tierra.
 6. Gire la perilla del termostato a la posición descada, La luz parpadea y el calentador comenzará dentro de 8 segundos.

Si la temperatura del termostato conjunto es más alta que la temperatura del aire circundante, el calentador debe encender inmediatamente. Si el termostato del calentador de la temperatura es más baja que rodea la temperatura del aire, el calentador no se enciende. La exposición a la luz solar directa o frío extremo puede afectar la lectura de temperatura y / o el funcionamiento del termostato.

El LED parpadea durante 8 segundos antes ignición. La luz permanece encendida durante calentador operación, incluso si el calentador se cicla por fuera el termostato. El LED parpadeará rápidamente si el calentador se apaga por cualquier razón (por ejemplo: si el combustible).

⚠ ADVERTENCIA: El calentador está equipado con termostato. El calentador puede comenzar a funcionar en cualquier momento.

PARA DETENER EL CALENTADOR

1. Gire el mando del termostato en sentido antihorario para STANDBY
2. Desconecte el calentador cuando no esté en uso.

PARA REESTABLECER EL CALENTADOR

1. Espere dos minutos antes de reiniciar.
2. Gire el mando del termostato en la posición STANDBY durante 10 segundos, reinicie el calentador.

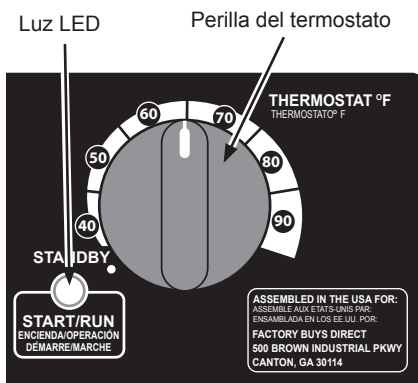


Figura 3 - Controles de pantalla

FUNCIONAMIENTO CON GENERADOR PORTÁTIL

⚠ ADVERTENCIA: Antes de utilizar el calentador o cualquier dispositivo de un generador portátil, verifique que el generador se encuentre correctamente conectado a tierra. La falta de una conexión a tierra o la existencia de una conexión defectuosa pueden ocasionar una electrocución ante una falla. Consulte el manual del propietario suministrado por el fabricante del generador para obtener información sobre los procedimientos de conexión a tierra correctos.

La tensión de funcionamiento del calentador puede variar de 108 a 132 voltios (120 voltios +/- 10%). Antes de conectar el calentador al generador es necesario verificar la tensión de salida del generador (si el generador cuenta con una función de suspensión automática,

la tensión de salida debe medirse mientras éste funciona a máxima velocidad). Si la tensión no se encuadra dentro de los valores indicados, el calentador no debe conectarse al generador.

Consulte la sección *Funcionamiento* en la página 29 para conocer los procedimientos para encender, detener y reajustar el calentador.

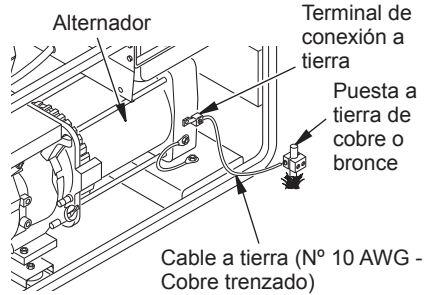


Figura 4 - Método de conexión a tierra habitual del generador (la estructura del generador puede diferir de la imagen que se muestra)

ALMACENAMIENTO, TRANSPORTE Y ENVÍO

Nota: En caso de envío, las empresas de transporte requieren que el tanque de combustible esté vacío.

1. Extraiga el excedente de combustible por medio de un sifón. Drene el combustible restante a través de relleno cuello por el calentador de inflexión en la parte trasera.
2. Si nota que hay residuos en el combustible viejo, agregue 1 ó 2 cuartos de keroseno limpio al tanque, agítelo y vuelva a vaciar. De esta forma evitará que el exceso de residuos obstruya los filtros en el futuro.

3. Deseche como corresponda el combustible usado. Consulte a las estaciones de servicio locales que reciclan combustibles.
4. Si desea guardar el calentador, asegúrese de que sea en un lugar seco. Verifique que en el lugar no haya polvo ni vapores corrosivos.

IMPORTANTE: No almacene keroseno durante los meses de verano para usarlo en la próxima estación de calor. El combustible usado puede dañar el calentador.

PROGRAMA DE MANTENIMIENTO PREVENTIVO

⚠️ ADVERTENCIA: No repare el calentador mientras está enchufado, en funcionamiento o caliente. Pueden ocurrir quemaduras graves y electrocución.

Artículo	Frecuencia	Método
Tanque de combustible	Limpié en cada estación o según sea necesario.	Consulte la sección <i>Almacenamiento, transporte y envío</i> , página 30.
Filtros de salida de aire y partículas	Reemplace cada 500 horas de uso o una vez al año.	Consulte <i>Filtros de salida de aire, entrada de aire y de pelusa</i> , página 34.
Filtro de entrada de aire	Lave y seque con agua y jabón cada 500 horas de uso o según sea necesario.	Consulte <i>Filtros de salida de aire, entrada de aire y de pelusa</i> , página 34.
Filtro de combustible	Limpié dos veces en cada estación que requiera calefacción o según sea necesario.	Consulte <i>Filtro de combustible</i> , página 35.
Aspas del ventilador	Limpié en cada estación o según sea necesario.	Consulte <i>Ventilador</i> , página 33.
Motor	No requiere mantenimiento: lubricación permanente.	

SOLUCIÓN DE PROBLEMAS

⚠️ ADVERTENCIA: No repare el calentador mientras está enchufado, en funcionamiento o caliente. Pueden ocurrir quemaduras graves y electrocución.

⚠️ ADVERTENCIA: Alta tensión! Desenchufar calentador antes de dar servicio.

CONDICIÓN DE FALLA	POSIBLE CAUSA	REMEDIO
El motor no enciende ocho segundos después de conectar el calentador.	<ol style="list-style-type: none"> 1. No llega energía al calentador. 2. Si lo hay, el termostato señala una intensidad demasiado baja. 3. Mala conexión eléctrica entre el motor y el ensamblaje del control de encendido, o del ensamblaje del control de encendido y el cable de alimentación. 4. El rotor de la bomba está atascado. 5. Ensamblaje del control de encendido defectuoso. 6. Motor defectuoso. 	<ol style="list-style-type: none"> 1. Revise el interruptor de circuitos en el panel eléctrico. 2. Gire la perilla del termostato a un ajuste de temperatura más alto. 3. Revise todas las conexiones eléctricas. Consulte <i>Diagrama de cableado</i>, página 39. 4. Si el ventilador no gira libremente, consulte <i>Rotor de la bomba</i>, página 38. 5. Reemplace el ensamblaje del control de encendido. 6. Reemplace el motor.

SOLUCIÓN DE PROBLEMAS

⚠ ADVERTENCIA: Alta tensión! Desenchufar calentador antes de dar servicio.

CONDICIÓN DE FALLA	POSIBLE CAUSA	REMEDIO
El motor se enciende y funciona pero el calentador no enciende.	<ol style="list-style-type: none"> 1. No hay combustible en el tanque. 2. La presión de la bomba no es la correcta. 3. El filtro de combustible está sucio. 4. La boquilla está obstruida. 5. Hay agua en el tanque de combustible. 6. Mala conexión eléctrica entre el encendedor y el ensamblaje del control de encendido. 7. Encendedor defectuoso. 8. Ensamblaje del control de encendido defectuoso. 	<ol style="list-style-type: none"> 1. Llene el tanque con keroseno. 2. Consulte <u><i>Ajuste de la presión de la bomba</i></u>, página 34. 3. Consulte <u><i>Filtro de combustible</i></u>, página 35. 4. Consulte <u><i>Ensamblaje de la boquilla</i></u>, página 36. 5. Drene y limpie el tanque de combustible con keroseno limpio. Consulte <u><i>Almacenamiento, transporte o envío</i></u>, página 30. 6. Revise las conexiones eléctricas. Consulte <u><i>Diagrama de cableado</i></u>, página 39. 7. Reemplace el encendedor, consulte la página 35. 8. Reemplace el ensamblaje del control de encendido.
El calentador se enciende pero el ensamblaje del control de encendido lo apaga después de unos pocos minutos.	<ol style="list-style-type: none"> 1. La presión de la bomba no es la correcta. 2. Los filtros de entrada de aire, salida de aire y/o de pelusa están sucios. 3. El filtro de combustible está sucio. 4. La boquilla está obstruida. 5. Ensamblaje de la fotocélula instalado incorrectamente (no se ve la flama). 6. Las lentes de la fotocélula están sucias. 7. Mala conexión eléctrica entre la fotocélula y el ensamblaje del control de encendido. 8. Fotocélula defectuosa. 9. Ensamblaje del control de encendido defectuoso. 	<ol style="list-style-type: none"> 1. Consulte <u><i>Ajuste de la presión de la bomba</i></u>, página 34. 2. Consulte <u><i>Filtros de salida de aire, entrada de aire y de pelusa</i></u>, página 34 3. Consulte <u><i>Filtro de combustible</i></u>, página 35. 4. Consulte <u><i>Ensamblaje de la boquilla</i></u>, página 36. 5. Asegúrese de que el recubrimiento de la fotocélula esté asentado adecuadamente en el soporte. 6. Limpie las lentes de la fotocélula. 7. Revise las conexiones eléctricas. Consulte <u><i>Diagrama de cableado</i></u>, página 39. 8. Reemplace la fotocélula. 9. Reemplace el ensamblaje del control de encendido.

PROCEDIMIENTOS DE SERVICIO

⚠ ADVERTENCIA: Para evitar el riesgo de sufrir quemaduras o electrocución, nunca intente reparar el calentador mientras está enchufado, en funcionamiento o caliente.

DESMONTAJE DE LA CUBIERTA SUPERIOR

1. Retire los 8 tornillos ubicados a lo largo del calentador con un destornillador para tuercas de 5/16". Estos tornillos mantienen unidas la cubierta superior y la inferior (consulte la figura 5).
2. Levante y retire la cubierta superior.
3. Retire el protector del ventilador.

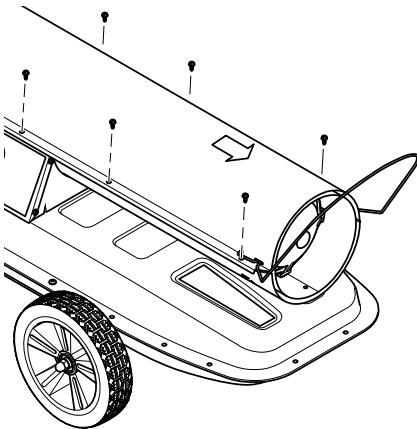


Figura 5 - Desmontaje de la cubierta superior

VENTILADOR

IMPORTANTE: Extraiga el ventilador del eje del motor antes de retirar el motor del calentador. El peso del motor colocado sobre el ventilador puede dañar la inclinación correcta del ventilador (consulte la figura 6).

1. Extraiga la cubierta superior (consulte la figura 5).
2. El ventilador está ubicado con el tornillo de fijación tocando el extremo de la parte plana del eje, como se muestra en la figura 7.
3. Utilice una llave Allen de 1/8" para aflojar el tornillo de fijación que une el ventilador al eje del motor (consulte la figura 6).
4. Saque el ventilador del eje del motor.
5. Limpie el ventilador con un paño suave mojado con keroseno o con un solvente.
6. Seque completamente el ventilador.
7. Coloque el tornillo de fijación en la parte plana del eje. Apriete firmemente el tornillo de fijación (de 40 a 50 pulgadas-libra/ de 4.5 a 5.6 N-m).
8. Vuelva a colocar el resguardo del ventilador y la cubierta superior.

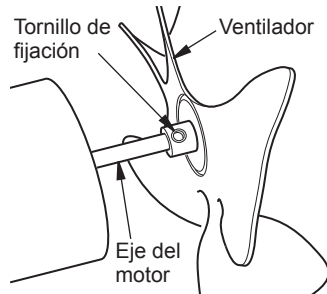


Figura 6 - Ubicación del ventilador, del eje del motor y del tornillo de fijación

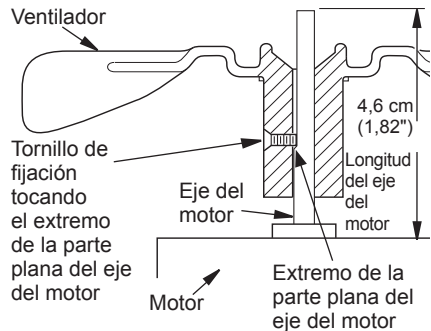


Figura 7 - Vista transversal del ventilador

PROCEDIMIENTOS DE SERVICIO

FILTROS DE SALIDA DE AIRE, ENTRADA DE AIRE Y DE PELUSA

1. Desmunte la cubierta superior (consulte las figura 5, página 31).
2. Extraiga los tornillos de la cubierta del extremo del filtro con un destornillador para tuercas de 5/16" (consulte la figura 8).
3. Desmunte la cubierta del extremo del filtro.
4. Reemplace los filtros de salida de aire y de pelusa.
5. Lave o reemplace el filtro de entrada de aire.
6. Vuelva a colocar la cubierta del extremo del filtro.
7. Vuelva a colocar el resguardo del ventilador y la cubierta superior.

IMPORTANTE: No engrase los filtros.

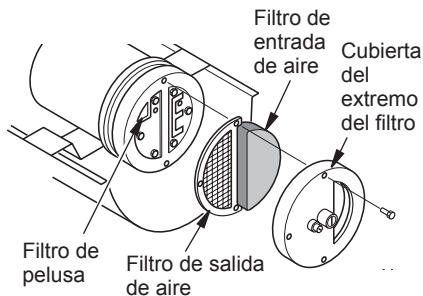


Figura 8 - Filtros de salida de aire, entrada de aire y de pelusa

AJUSTE DE LA PRESIÓN DE LA BOMBA

1. Retire el tapón medidor de presión de la cubierta del extremo del filtro (consulte la figura 9).
2. Instale el medidor de presión 0-15 PSI.
3. Encienda el calentador (consulte *Funcionamiento*, página 29). Permita que el motor alcance la temperatura de funcionamiento (aproximadamente 10 minutos).
4. Ajuste la presión. Gire la válvula de escape hacia la derecha para incrementar la presión. Gire la válvula de escape hacia la izquierda para disminuir la presión. Consulte las especificaciones en la Figura 10 para la presión correcta.
5. Desmunte el medidor de presión. Vuelva a colocar el tapón medidor de presión en la cubierta del extremo del filtro.

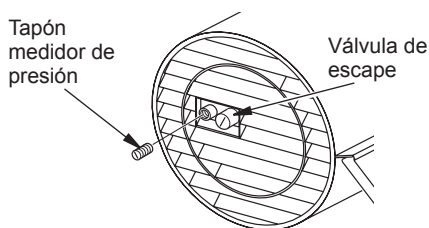


Figura 9 - Retiro del tapón medidor de presión

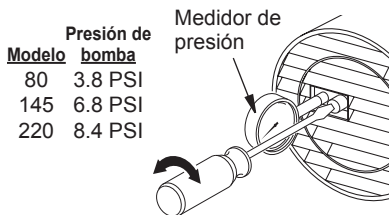


Figura 10 - Ajuste de la presión de la bomba

PROCEDIMIENTOS DE SERVICIO

FILTRO DE COMBUSTIBLE

1. Quite los tornillos de la cubierta lateral utilizando un destornillador para tuercas de 5/16".
2. Quite la tapa lateral.
3. Quite la línea superior de combustible del cuello del filtro de combustible (consulte la figura 11).
4. Saque cuidadosamente el buje, el filtro de combustible y la línea inferior de combustible del tanque de combustible (consulte la figura 11).
5. Lave el filtro de combustible con combustible limpio y vuelva a colocarlo en el tanque.
6. Conecte la línea superior de combustible al cuello del filtro de combustible.
7. Vuelva a colocar la cubierta lateral.

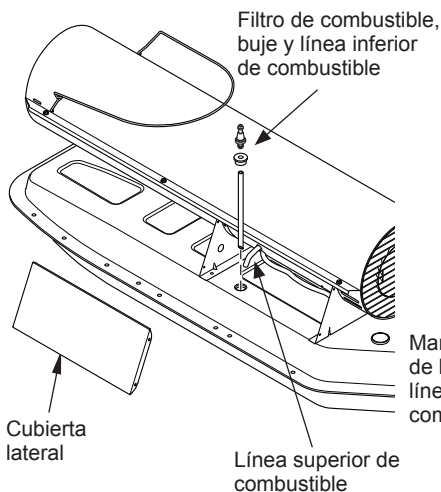


Figura 11 - Desmontaje del filtro de combustible

ENCENDEDOR

1. Desmonte la cubierta superior y el resguardo del ventilador (consulte *Desmontaje de la cubierta superior*, página 33).
2. Desmonte el ventilador (consulte la página 33).
3. Extraiga la cubierta lateral de control con un controlador de 5/16" tuerca. Quite la tapa lateral (ver figura 12).
4. Desconecte los cables del encendedor del ensamblaje del control de encendido (consulte la figura 12). Pase los alambres del encendedor a través del orificio en la cubierta inferior.
5. Desconecte la manguera de la línea de combustible y la manguera de la línea de aire. Desmonte la fotocélula del soporte correspondiente (consulte la figura 13, página 36).
6. Desmonte la cámara de combustión. Coloque la cámara de combustión de manera que el extremo del soporte adaptador de la boquilla quede hacia arriba (consulte la figura 13, página 36).

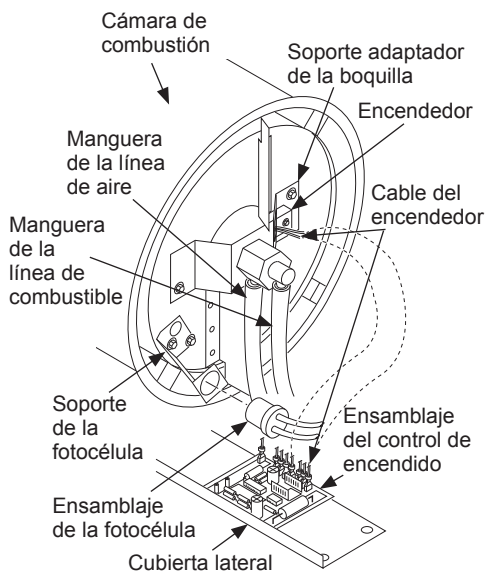


Figura 12 - Desconexión de los cables del encendedor del ensamblaje del control de encendido

PROCEDIMIENTOS DE SERVICIO

7. Desmonte el tornillo del encendedor con un destornillador para tuercas de 1/4". Desmonte cuidadosamente el encendedor del soporte adaptador de la boquilla.

⚠ PRECAUCIÓN: No doble ni golpee el elemento encendedor. Manéjelo con cuidado.

8. Saque cuidadosamente el encendedor de repuesto del empaque de espuma de estireno.
9. Guíe cuidadosamente el encendedor hacia dentro de la abertura en el soporte adaptador de la boquilla. No golpee el elemento encendedor. Fije el encendedor al soporte adaptador de la boquilla con un tornillo usando un destornillador para tuercas de 1/4". Apriete de 0.90 a 1.69 N-m (8" a 15"-lb). No apriete demasiado.
10. Vuelva a colocar la cámara de combustión.
11. Pase los cables del encendedor nuevamente hacia abajo a través del orificio en la cubierta inferior. Conecte los cables al ensamblaje del control de encendido (consulte la figura 12, página 35).
12. Vuelva a colocar la cubierta lateral.
13. Conecte y dirija la manguera de la línea de combustible y la manguera de la línea de aire al ensamblaje del adaptador de la boquilla.
15. Vuelva a colocar la fotocélula en el soporte correspondiente.
16. Vuelva a colocar el ventilador (consulte la página 33).
17. Vuelva a colocar el resguardo del ventilador y la cubierta superior (consulte la página 33).

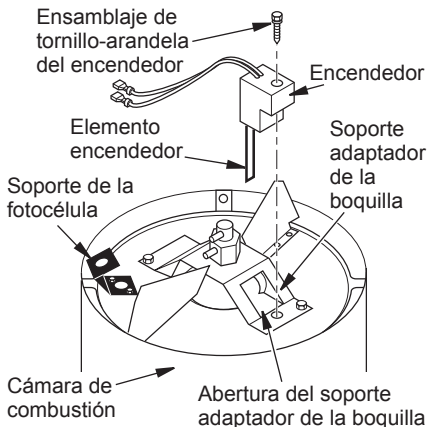


Figura 13 - Reemplazo del encendedor

ENSAMBLAJE DE LA BOQUILLA

1. Desmonte la cubierta superior (consulte *Desmontaje de la cubierta superior*, página 33).
2. Desmonte el ventilador (consulte *Ventilador*, página 33).
3. Retire las mangueras de las líneas de aire y combustible del ensamblaje de la boquilla (consulte las figura 14).
4. Gire el ensamblaje de la boquilla 1/4 de vuelta a la izquierda y tire de él hacia el motor para desmontarlo (consulte la figura 15, página 37).
5. Coloque la parte hexagonal de plástico en el tornillo de banco y apriete ligeramente.
6. Desmonte cuidadosamente la boquilla del adaptador de la boquilla utilizando una llave tubular de 5/8" (consulte la figura 16, página 37).
7. Sople aire comprimido a través de la cara de la boquilla. Esto eliminará suciedades del área de la boquilla.
8. Inspeccione el casquillo de la boquilla en busca de daños.
9. Vuelva a colocar la boquilla en el adaptador hasta que la boquilla se asiente. Apriete 1/3 de vuelta más usando una llave tubular de 5/8" de 4.5 a 5.1 N-m (40" a 45"-lb). Consulte la figura 16, página 37.

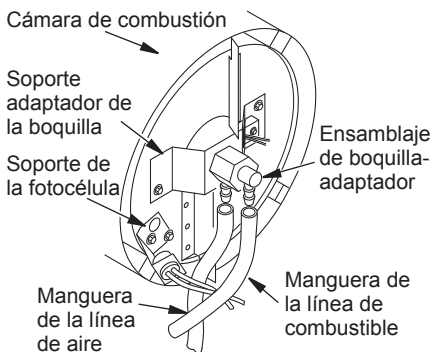


Figura 14 - Desmontaje de las mangueras de las líneas de aire y combustible

PROCEDIMIENTOS DE SERVICIO

10. Fije el ensamblaje de la boquilla al soporte del quemador (consulte la figura 15).
11. Conecte las mangueras de las líneas de aire y combustible al ensamblaje de la boquilla.
12. Vuelva a colocar el ventilador (consulte *Ventilador*, página 33).
13. Vuelva a colocar el resguardo del ventilador y la cubierta superior (consulte *Desmontaje de la cubierta superior*, página 33).

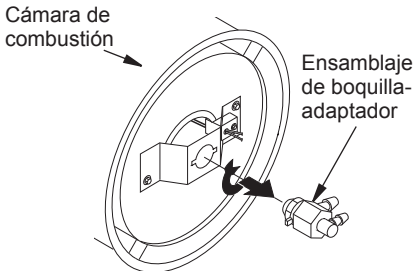


Figura 15 - Desmontaje del ensamblaje de la boquilla-adaptador

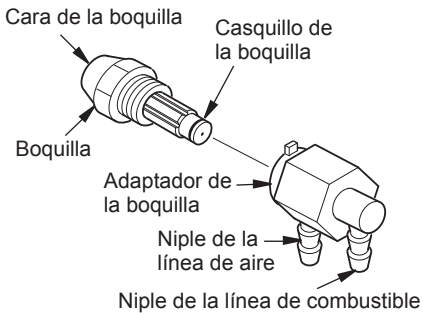


Figura 16 - Boquilla y adaptador de la boquilla

ENSAMBLAJE DEL CONTROL DE ENCENDIDO

⚠️ ADVERTENCIA: ¡Alta tensión!

1. Desenchufe el calentador.
2. Para exponer el conjunto de control de encendido, quite los tornillos de la tapa del panel de control laterales con 5/16" nuez del conductor.
3. Retire el conjunto de control de encendido de edad. Instale el nuevo conjunto de control de encendido (vea la Figura 12, página 35).
4. Vuelva a colocar la cubierta lateral.

PROCEDIMIENTOS DE SERVICIO

ROTOR DE LA BOMBA

(Procedimiento en caso que el rotor esté atascado)

1. Desmonte la cubierta superior (consulte Desmontaje de la cubierta superior, página 33).
2. Quite los tornillos de la cubierta del extremo del filtro utilizando un destornillador para tuercas de 5/16" (consulte las figura 17).
3. Desmonte la cubierta del extremo del filtro y los filtros de aire.
4. Quite los tornillos de la placa de la bomba utilizando un destornillador para tuercas de 5/16".
5. Desmonte la placa de la bomba.
6. Desmonte el rotor, la parte de inserción y las láminas (consulte las figura 18).
7. Verifique que no haya residuos en la bomba. Si encuentra residuos, sople con aire comprimido.
8. Instale la parte de inserción y el rotor.
9. Revise el espacio libre del rotor. Ajústelo a 0.076/0.101 mm (0.003"/0.004") si es necesario (consulte la figura 18).

Nota: Gire el rotor una vuelta completa para asegurarse de que el espacio sea de 0.076/0.101 mm (0.003"/0.004") mm en la posición más cercana. Ajuste si es necesario.

10. Instale las láminas, la placa de la bomba, los filtros de aire y la cubierta del extremo del filtro.
11. Vuelva a colocar el resguardo del ventilador y la cubierta superior (consulte Desmontaje de la cubierta superior, página 33).
12. Ajuste la presión de la bomba (consulte Ajuste de la presión de la bomba, página 34).

Nota: Si el rotor aún está atascado, proceda como se indica a continuación.

13. Realice los pasos 1 a 6.
14. Coloque un pedazo de lija muy fina (de grano 600) en una superficie plana. Lije el rotor ligeramente haciendo movimientos en forma de "8" cuatro veces (consulte la figura 19).
15. Vuelva a instalar la parte de inserción y el rotor.
16. Realice los pasos 10 a 12.

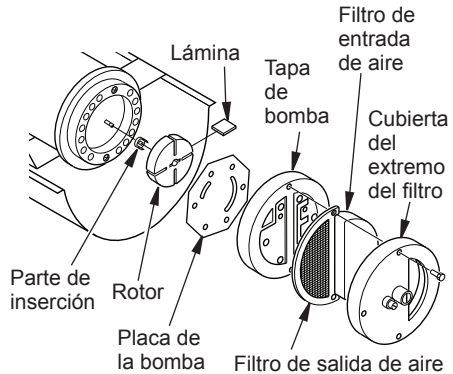


Figura 17 - Ubicación del rotor

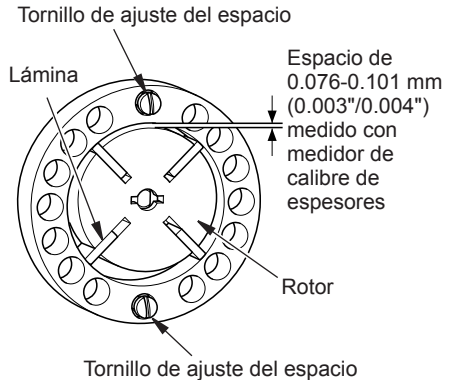


Figura 18 - Ubicaciones del tornillo de ajuste del espacio

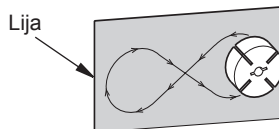
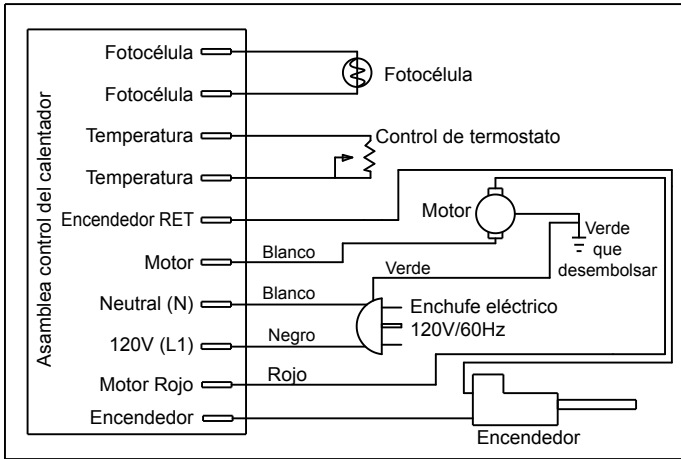


Figura 19 - Cómo lijar el rotor

DIAGRAMA DE CABLEADO

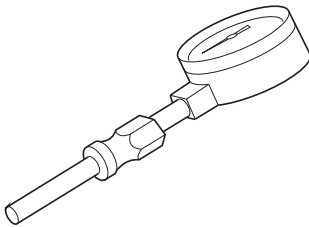


SERVICIO TÉCNICO

Es posible que tenga preguntas adicionales sobre la instalación, el funcionamiento o la solución de problemas. De ser así, póngase en contacto con Factory Buys Direct al 1-855-607-6557. Al llamar tenga a la mano los números de modelo y serie de su calentador.

ACCESORIOS

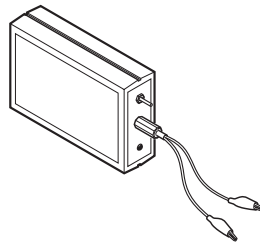
Para comprar accesorios de calentador y partes llaman Factory Buys Direct al 1-855-607-6557.



ST002-01

PAQUETE DE MEDIDOR DE AIRE

Para todos los modelos. Herramienta especial para verificar la presión de la bomba. 0-15 PSIG. 3/8" rosca NPT.



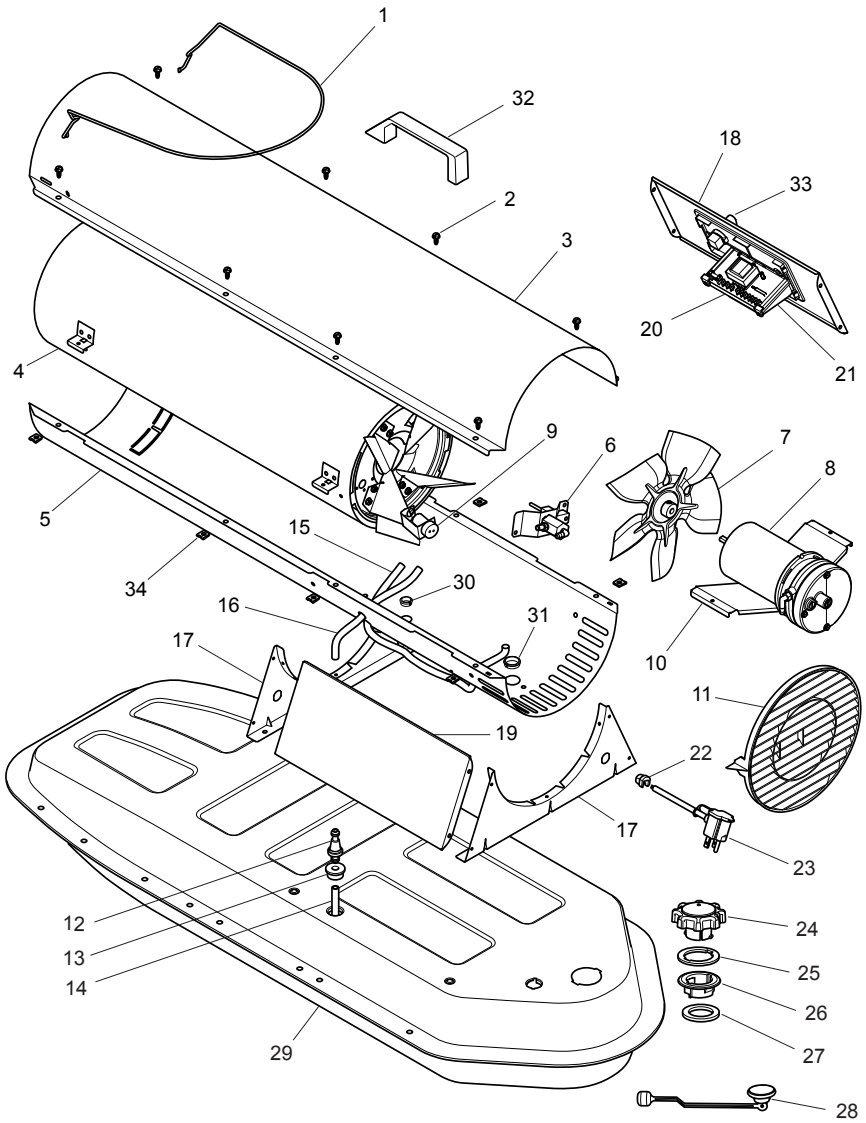
ST001-01

ENSAMBLAJE DEL CONTROL DE ENCENDIDO/PROBADOR DE LA FOTOCÉLULA

Herramienta especial utilizada para probar el ensamblaje del control de encendido y la fotocélula.

PIEZAS

MODELOS FBD75T, FBD125T Y FBD175T



PIEZAS

MODELOS FBD75T, FBD125T Y FBD175T

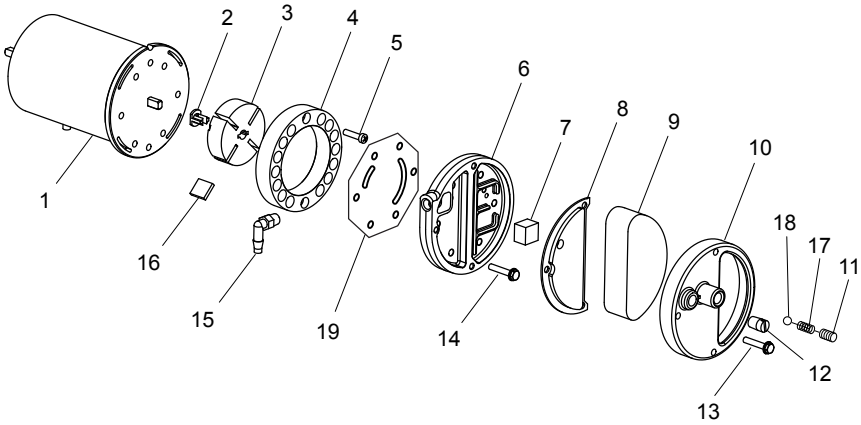
Esta lista contiene las partes reemplazables utilizadas en el calentador. Al ordenar las partes, asegúrese de proporcionar el número de modelo y número de serie correctos (de la placa del modelo), después el número de parte y descripción de la parte deseada.

Art.	FBD75T	FBD125T	FBD175T	Descripción	Cant.
1	160075-01	160075-02	160075-02	Alambre guardia	1
2	**	**	**	Cubierta superior de la tomillo	8 o 10
3	**	**	**	Cubierta superior	1
4	**	**	**	Montaje de cámara de combustión	1
5	**	**	**	Cubierta baja	1
6	<i>ver detalle, pg 43</i>			Montaje de boquilla de soporte	
7	160011-01	160058-01	160058-01	Ventilador	1
8	<i>ver detalle, pg 42</i>			Montaje de motor/bomba	
9	<i>ver detalle, pg 43</i>			Montaje de fotocélula/soporte	
10	160043-01	160043-02	160043-02	Soporte del motor	1
11	160066-01	160066-02	160066-02	Protector del ventilador	1
12	160012-02	160012-01	160012-01	Filtro de combustible	1
13	**	**	**	Tubo buje fuel	1
14	160038-01	160038-02	160038-02	Línea de combustible inferior	1
15	160037-02	160037-02	160037-02	Tubo línea de aire	1
16	160039-01	160039-01	160039-01	Línea de combustible superior	1
17	**	**	**	Cubierta soporte	2
18	160184-01	160184-02	160184-02	Cubierta derecha	1
19	160183-01	160183-02	160183-02	Cubierta izquierda	1
20	113471-02	113471-02	113471-02	Control del termostato LED	1
21	160190-01	160190-01	160190-01	Control del termostato soporte	1
22	160013-01	160013-01	160013-01	Buje, atenuación de deformaciones	1
23	160021-01	160021-01	160021-01	Cable eléctrico	1
24	160030-01	160030-01	160030-01	Tapa de combustible	1
25	160030-03	160030-03	160030-03	Junta de Tapa de combustible	1
26	160031-01	160031-01	160031-01	Plástico relleno neck	1
27	160036-01	160036-01	160036-01	Relleno Neck Junta	1
28	160005-01	160005-02	160005-02	Indicador de combustible	1
29	160139-01BK	160140-01BK	160140-01BK	Tanque de combustible	1
30	**	**	**	Shorty de buje .512	1
31	**	**	**	Shorty de buje .866	1
32	160185-01	----	----	Manija de plástico	1
	160186-01	----	----	Soporte de manejar	1
33	160027-01	160027-01	160027-01	Perilla del control	1
34	**	**	**	J Tuerca, #10, .08 Wall	8 o 10

** No es una pieza que se pueda reemplazar en el sitio.

PIEZAS

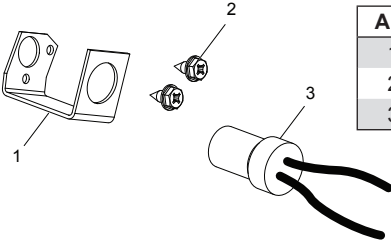
ENSAMBLAJE DEMOTOR Y BOMBA MODELOS FBD75T, FBD125T Y FBD175T



Art.	Pieza #	Descripción	Cant.
1	160001-01	Motor	1
2	160023-01	Insertar Rotor	1
3	160003-01	Bomba de Rotor	1
4	160006-01	Bomba de Anillo	1
5	160088-01	Tornillo, 10-32 x .62	2
6	160007-01	Tapa de bomba	1
7	160009-01	Filtro de Pelusas	1
8	160008-01	Montaje de Filtro de Salida	1
9	160010-01	Filtro de Entrada	1
10	160057-01	Cubierta del Filtro	1
11	160025-01	Tornillo de Ajuste	1
12	160024-01	Tapón	1
13	160090-01	Tornillo, 10-32 x 1.0	3
14	160089-01	Tornillo, 10-32 x 1.12	6
15	160029-01	90° Codo de Nylon	1
16	160004-01	Bomba de Hoja	4
17	160052-01	Regulador resorte	1
18	160053-01	Bola de acero	1
19	160189-01	Placa de la bomba	1

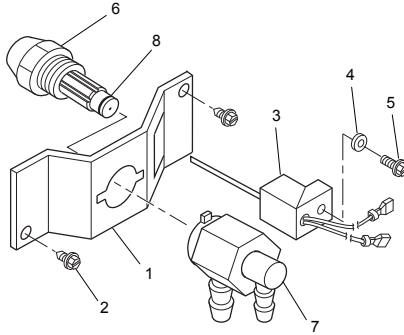
PIEZAS

ENSAMBLAJE DE LA FOTOCÉLULA MODELOS FBD75T, FBD125T Y FBD175T



Art.	Pieza #	Descripción	Cant.
1	160041-03	Soporte de la Fococélula	1
2	160092-02	Tornillo, 6-32 x .38	2
3	160016-01	Montaje de Fococélula	1

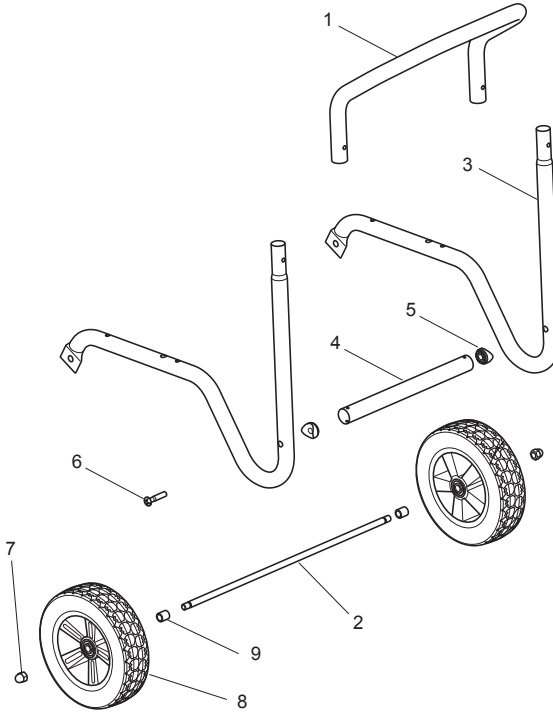
BOQUILLA ASAMBLEA MODELS FBD75T, FBD125T Y FBD175T



Art.	FBD75T	FBD125T	FBD175T	Descripción	Cant.
1	160042-01	160042-01	160042-01	Soporte adaptador de la boquilla	1
2	160102-01	160102-01	160102-01	Tornillo, 10-16 x .38	1
3	160002-01	160002-01	160002-01	Encendedor	1
4	160093-01	160093-01	160093-01	Belleville arandela	1
5	160092-01	160092-01	160092-01	Tornillo, 6-32 X .88	1
6	160040-32	160040-38	160040-39	Ensamblaje de la boquilla	1
7	160028-01	160028-01	160028-01	Adaptador de la boquilla	1
8	160040-E	160040-E	160040-E	Junta tórica	1

PIEZAS

RUEDAS Y MANIJA MODELOS FBD125T Y FBD175T



Art.	Pieza #	Descripción	Cant.
1	160074-01	Trasero Manejar	1
2	160079-01	Eje	1
3	160072-01	Rueda Marco	2
4	160158-01	Cojinete	2
5	160072-12	Tanque de apoyo	1
6	160072-13	Tornillo, M10-1.5 x 60	2
7	160129-01	Tuerca	2
8	160080-01	Rueda	2
9	160130-01	Espaciador	2

PIEZAS DE REPUESTO

Nota: Use sólo piezas de repuesto originales. Esto protegerá la cobertura de su garantía para partes reemplazadas bajo la garantía.

PIEZAS CON GARANTÍA

Comuníquese con los distribuidores autorizados de este producto. Si no pueden proporcionarle las piezas originales de repuesto, llame gratis al Departamento de Servicio al Cliente al 1-855-607-6557 para obtener información de referencia.

Cuando llame a Servicio al Cliente, tenga preparados:

- su nombre,
- su dirección

- los números de modelo y de serie de su calentador,
- la falla del calentador,
- Tipo de suministro de gas y propano/LP tamaño del tanque de gas
- la fecha de compra

Por lo general, le pediremos que devuelva la pieza a la fábrica.

PIEZAS SIN GARANTÍA

Comuníquese con los distribuidores autorizados de este producto. Si no pueden suministrarle piezas de repuesto originales, llame gratis al Departamento de Servicio al Cliente al 1-855-607-6557 para obtener información de referencia.

Cuando llame a Servicio al Cliente, tenga preparados:

- los números de modelo y de serie de su calentador,
- el número de la pieza de repuesto.

GARANTÍA

GUARDE ESTA GARANTÍA

Modelo _____

Número de serie _____

Fecha de compra _____

Conserve su recibo para la verificación de la garantía.

REGISTRE SU PRODUCTO EN WWW.FACTORYBUYSDIRECT.COM

FACTORY BUYS DIRECT GARANTÍAS LIMITADAS

NUEVOS PRODUCTOS - CALEFACCIÓN EXTERIOR

Garantía Estándar: Factory Buys Direct garantiza que este nuevo producto y las piezas del mismo está libre de defectos en materiales y mano de obra durante un período de un (1) año a partir de la fecha de la primera compra de un distribuidor autorizado siempre que el producto se ha instalado , mantenidos y operados de acuerdo con las advertencias Factory Buys Direct's e instrucciones.

Para los productos comprados para uso comercial, industrial o para renta, esta garantía está limitada a 90 días a partir de la fecha de la primera compra.

REACONDICIONADOS EN LA FÁBRICA PRODUCTOS

Garantía Limitada: Factory Buys Direct garantiza que los productos de la fábrica reacondicionados y sus fragmentos están libres de defectos en materiales y mano de obra durante un período de 30 días a partir de la fecha de la primera compra en un concesionario autorizado, siempre que el producto haya sido instalado, mantenido y operado de conformidad con las advertencias Factory Buys Direct's e instrucciones. No hay retorno será autorizado. Las piezas se proporcionan para reparar el producto.

CONDICIONES COMUNES A TODAS LAS GARANTÍAS

Los siguientes términos se aplican a todas las garantías anteriormente mencionadas:

Siempre especifique el número de modelo y número de serie al ponerse en contacto con el fabricante. Para realizar una reclamación bajo esta garantía, la factura de venta u otra prueba de compra debe ser presentada.

Esta garantía se extiende solamente al comprador original al por menor a la compra de un distribuidor autorizado, y sólo cuando es instalado por un instalador calificado de acuerdo con todos los códigos y las instrucciones suministradas con este producto.

Esta garantía cubre el costo de la parte (s) necesario para restaurar el producto a su condición apropiada de operación y un subsidio de mano de obra cuando lo realiza un Factory Buys Direct Centro de Servicio Autorizado o un proveedor aprobado por Factory Buys Direct Partes de la garantía debe ser obtenida a través de distribuidores autorizados de este producto y / o Factory Buys Direct, que proporcionará piezas de repuesto originales de fábrica. Si no se utiliza piezas de repuesto originales de fábrica anulará esta garantía.

Viajar, manipulación, transporte, diagnóstico, material, mano de obra y los costos incidentales asociados con reparaciones en garantía, salvo que expresamente cubiertos por esta garantía, no son reembolsables bajo esta garantía y son responsabilidad del propietario.

Quedan excluidos de esta garantía los productos o piezas que fallan o se dañan debido al mal uso, accidentes, instalación incorrecta, falta de mantenimiento adecuado, modificación o alteración (s).

Esta es la garantía Factory Buys Direct's exclusiva, y en la medida permitida por la ley, esta garantía expresa excluye cualquier garantía, expresa o implícita, escrita o verbal y limita la duración de cualquiera y todas las garantías implícitas, incluyendo las garantías de comerciabilidad y adecuación para un propósito en particular a uno (1) año en nuevos productos y 30 días en productos reacondicionados de fábrica a partir de la fecha de la primera compra.

Factory Buys Direct no ofrece ninguna garantía con respecto a este producto.

Responsabilidad Factory Buys Direct's se limita al precio de compra del producto y Factory Buys Direct no será responsable por ningún otro daño, bajo ninguna circunstancia, incluyendo daños directos, indirectos, incidentales o consecuentes.

Algunos Estados no permiten limitaciones en la duración de una garantía implícita o la exclusión o limitación de daños incidentales o consecuentes, por lo que la limitación o exclusión anterior puede no aplicarse a usted.

Esta garantía le otorga derechos legales específicos, y usted también puede tener otros derechos que varían de estado a estado.



**FACTORY
BUYS
DIRECT.COM**

Factory Buys Direct
500 Brown Industrial Parkway
Canton, GA 30114
1-855-607-6557

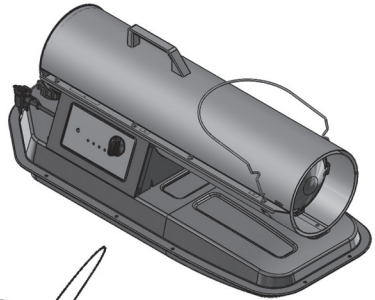
160942-01
Rev. A
01/15



**FACTORY
BUYS
DIRECT.COM**

**APPAREIL DE CHAUFFAGE PORTATIF À AIR FORCÉ
APPAREIL DE CHAUFFAGE AU KÉROSÈNE ET AU GAZOLE
AVEC THERMOSTAT INTÉGRÉ
MANUEL D'UTILISATION**

**FBD75T
75 000 BTU/H**



**FBD125T - 125 000 BTU/H
FBD175T - 175 000 BTU/H**

IMPORTANT : Lisez et comprenez ce manuel avant d'assembler, d'allumer ou de réparer l'appareil de chauffage. Une mauvaise utilisation de l'appareil de chauffage peut causer des blessures graves. Conservez ce manuel pour consultation future.

N'utilisez jamais cet appareil de chauffage dans une zone d'habitation ou dans une chambre à coucher. Cet appareil de chauffage peut être utilisé à l'extérieur et pour une utilisation sur combustible étages.



Questions, problèmes, pièces manquantes? Avant de retourner à votre revendeur, appelez notre service à la clientèle de service au 1-855-607-6557, 08.00-16.30, heure normale de l'Est, du lundi au vendredi ou par courriel info@factorybuysdirect.com

TABLE DES MATIÈRES

Sécurité	48	Entreposage, transport ou expédition.....	54
Déballage	50	Calendrier d'entretien préventif	55
Assemblage	50	Dépannage	55
Caractéristiques.....	50	Procédures d'entretien	57
Identification du produit et emplacements des étiquettes.....	51	Schéma de câblage.....	62
Carburants.....	52	Service Technique	62
Ventilation	52	Accessoires	62
Fonctionnement.....	53	Remplacement De Pièces.....	63
Fonctionnement avec générateur portable... 54		Pièces.....	63
		Garantie.....	68

SÉCURITÉ

⚠ AVERTISSEMENT : Cet appareil contient ou produit des produits chimiques déterminés par l'État de Californie comme cancérigènes et pouvant causer des malformations congénitales et d'autres troubles liés à la reproduction.

IMPORTANT : Lisez attentivement et entièrement ce manuel d'utilisation avant de tenter d'assembler, de faire fonctionner ou de réparer cet appareil de chauffage. Une mauvaise utilisation de cet appareil de chauffage peut causer de graves blessures, voire la mort, suite à des brûlures, un incendie, une explosion, des décharges électriques ou un empoisonnement au monoxyde de carbone.

⚠ DANGER : L'empoisonnement au monoxyde de carbone peut être mortel !

Empoisonnement au monoxyde de carbone :

Les premiers symptômes d'un empoisonnement au monoxyde de carbone ressemblent à la grippe avec des maux de tête, des vertiges ou de la nausée. Si vous avez ces symptômes, il se pourrait que l'appareil de chauffage ne fonctionne pas bien. **Respirez tout de suite de l'air frais!** Faites réparer l'appareil de chauffage. Certaines personnes sont plus affectées par le monoxyde de carbone que d'autres. Celles-ci comprennent les femmes enceintes, les personnes souffrant de maladies cardiaques ou

pulmonaires ou d'anémie, celles qui sont en état d'ébriété et celles qui vivent à haute altitude. Lisez et comprenez tous les avertissements. Conservez ce manuel pour consultation future. Il vous permettra de faire fonctionner cet appareil de chauffage correctement et en toute sécurité.

1. N'utilisez que du kérosène, du diesel et mazout n° 1 et n° 2, du carburant JET A ou JP-8 pour éviter les risques d'incendie ou d'explosion. N'utilisez jamais d'essence, d'huile de vidange de carter, de naphte, de solvant à peinture, d'alcool ou d'autres produits hautement inflammables.
2. Approvisionnement en carburant
 - a) Le personnel responsable de l'approvisionnement en carburant doit être qualifié et complètement familier avec les instructions du fabricant et la réglementation en vigueur concernant l'approvisionnement en carburant des appareils de chauffage.
 - b) Utilisez uniquement le type de carburant indiqué sur la plaque d'identification de l'appareil de chauffage.
 - c) Les flammes doivent être complètement éteintes et l'appareil de chauffage doit avoir refroidi avant le remplissage.
 - d) Pendant l'approvisionnement, inspectez toutes les conduites de carburant et leurs connexions pour vérifier s'il y a des fuites. Toute fuite doit être réparée avant de remettre en marche l'appareil de chauffage.
 - e) N'entrez jamais une quantité de carburant supérieure à celle nécessaire pour une journée à l'intérieur d'un bâtiment ou près de l'appareil de chauffage. Les réserves de carburant doivent demeurer à l'extérieur du bâtiment.
 - f) Toute réserve de carburant doit être située à au moins 762 cm (25 pi) de tout appareil

SÉCURITÉ

- de chauffage, chalumeau, appareil de soudure ou source similaire d'allumage (à l'exception du réservoir de carburant faisant partie de l'appareil de chauffage ou d'une bouteille externe approuvée raccordée à l'appareil de chauffage).
- g) Dans la mesure du possible, l'entreposage du carburant doit se limiter aux endroits où le plancher ne permettra pas au carburant de se répandre ou d'être allumé par une flamme à un niveau inférieur.
- h) La réserve de carburant doit être en conformité avec la réglementation en vigueur dans le territoire.
- N'utilisez que la tension et la fréquence électrique indiquées sur la plaque signalétique.
 - Cet appareil de chauffage peut être utilisé à l'extérieur.
 - L'appareil de chauffage doit être mis à la terre. Utilisez uniquement une rallonge électrique trifilaire mise à la terre et branchez-le dans une prise mise à la terre.
 - Utilisez-le uniquement dans des endroits dépourvus de vapeurs inflammables et de poussière.
 - Dégagement minimum vis-à-vis de tout matériau combustible : 2,44 m (8 pi) devant la sortie d'air chaud, 1,83 m (6 pi) au dessus et 120 cm (4 pi) sur les côtés et devant la prise d'air.
 - Placez l'appareil de chauffage sur une surface stable et de niveau lorsqu'il est brûlant ou en marche, pour éviter tout risque d'incendie.
 - Cet appareil de chauffage peut être utilisé sur un plancher de bois par exemple (un matériau combustible).
 - Utilisez l'appareil de chauffage uniquement dans des endroits bien aérés. Pour utiliser l'appareil de chauffage, il doit y avoir une ouverture sur l'extérieur d'au moins 2 800 cm² (3 pi²) pour chaque 105 500 kJ (100 000 BTU/h) de puissance.
 - Assurez-vous toujours que les enfants et les animaux ne s'approchent pas de l'appareil de chauffage.
 - Ne mettez jamais en marche l'appareil de chauffage lorsque la chambre de combustion est brûlante ou si du carburant s'y est accumulé.
 - Cet appareil de chauffage est doté d'un thermostat. Il peut s'allumer à tout moment.
 - Ne laissez jamais un appareil de chauffage branché sans supervision lorsque des enfants ou des animaux pourraient être présents.
 - Faites bien attention quand vous déplacez ou entreposez l'appareil de chauffage si le réservoir de carburant n'est pas vide. Le carburant pourrait se déverser.
 - N'utilisez cet appareil de chauffage qu'en conformité avec les codes et les lois en vigueur. Les Canadiens doivent suivre la norme CSA B139, Code D'installation des Appareils de Combustion au Mazout pour les directives d'installation.
 - N'utilisez jamais d'essence, d'huile de vidange de carter, de naphte, de solvant à peinture, d'alcool ou d'autres produits hautement inflammables.
 - N'utilisez jamais l'appareil de chauffage dans des endroits où de l'essence, du solvant à peinture ou d'autres vapeurs hautement inflammables sont présents.
 - N'utilisez jamais cet appareil de chauffage dans une zone d'habitation ou dans une chambre à coucher.
 - Ne déplacez, ne manipulez, ne ravitaillez et ne réparez jamais un appareil de chauffage brûlant, en fonctionnement ou branché.
 - N'installez jamais de tuyauterie de ventilation à l'avant ou à l'arrière de l'appareil de chauffage.
 - Les appareils de chauffage utilisés près de bâches de protection en plastique, en tissu ou en matériaux similaires doivent être placés à une distance adéquate de ces matériaux. La distance minimale recommandée est de 304,8 cm (10 pi). De plus, il est conseillé d'utiliser des bâches de protection ignifuges. Ces matériaux doivent être solidement attachés pour les empêcher de s'enflammer ou de nuire à l'appareil de chauffage sous l'action du vent.
 - Débranchez l'appareil lorsqu'il n'est pas utilisé.
 - Ne bloquez jamais l'entrée d'air (à l'arrière) ou la sortie d'air (à l'avant) de l'appareil de chauffage.
 - Avertissement pour les résidents de New York** Uniquement pour une utilisation en conformité avec les codes en vigueur de la ville de New York.
 - N'utilisez jamais de sources de carburant externes ou de réservoirs qui ne sont pas conçus particulièrement pour cet appareil de chauffage.

DÉBALLAGE

1. Enlevez tout matériau d'emballage appliqué sur l'appareil de chauffage pour son expédition.
2. Retirez toutes les pièces de l'emballage.
3. Inspectez l'appareil de chauffage pour vérifier que rien n'a été endommagé pendant l'expédition. Si l'appareil de chauffage est endommagé, appelez ProCom Heating, Inc. au 1-855-607-6557 pour obtenir des pièces de rechange avant de le ramener chez le marchand.

ASSEMBLAGE

GARDE FIL

Tous Modèles

Tirez sur le garde vers l'avant de l'appareil jusqu'à ce qu'il s'enclenche dans les fentes des deux côtés du capot supérieur.

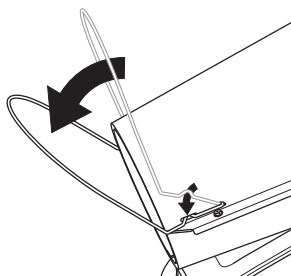


Figure 1 - Garde fil déplacé en position verrouillée

CARACTÉRISTIQUES

	FBD75T	FBD125T	FBD175T
Puissance de sortie	75 000 BTU	125 000 BTU	175 000 BTU
Carburant	Utilisez seulement du kérosène, du diesel et mazout n° 1 et n° 2 ou des combustibles JET A ou JP-8		
Capacité du réservoir de carburant	5,5 gal/20,8 L	10 gal/37,9 L	10 gal/37,9 L
Consommation de carburant (par heure)	0,56 gal/2,2 L	0,93 gal/3,5 L	1,30 gal/4,9 L
Pression de la pompe	3,6 PSI (à chaud)	6,8 PSI (à chaud)	6,8 PSI (à chaud)
Exigences électriques	120 V/60 HZ	120 V/60 HZ	120 V/60 HZ
Ampérage (fonctionnement norm.)	3.0	3.5	3.5
La vitesse du moteur typique	3 400 RPM	3 400 RPM	3 400 RPM
Moteur	1/4 hp	1/4 hp	1/4 hp
Poids à l'expédition	37 livres/16,8 kg	72 livres/32,6 kg	72 livres/32,6 kg
Poids de l'appareil de chauffage sans carburant (approximatif)	32 livres/14,5 kg	64 livres/29 kg	64 livres/29 kg

IDENTIFICATION DU PRODUIT ET EMBLEMES DES ÉTIQUETTES

Côté droit

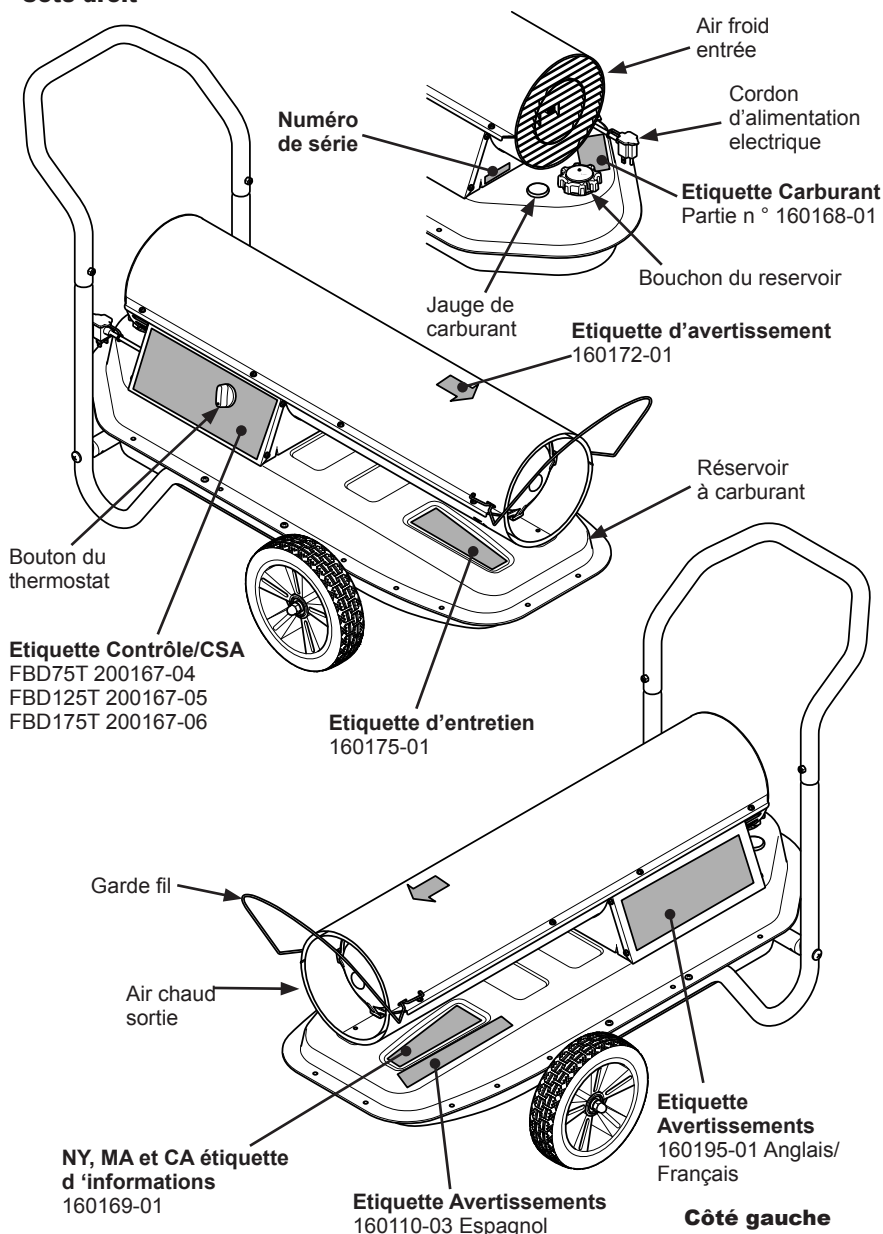


Figure 2 - Identification du produit et emplacement des étiquettes (FBD175T montré)

CARBURANTS

⚠ AVERTISSEMENT : N'utilisez que du kérosène, du diesel et mazout no 1 et 2, du carburant JET A ou JP-8 pour éviter les risques d'incendie ou d'explosion. N'utilisez jamais d'essence, d'huile de vidange de carter, de naphte, de solvant à peinture, d'alcool ou d'autres produits hautement inflammables.

N'utilisez que du kérosène, du diesel et du mazout n° 1 et 2, du carburant JET A ou JP-8. Les carburants plus lourds comme le diesel n° 2 et le mazout n° 2 peuvent aussi être utilisés, mais ils :

- produiront une odeur caractéristique
- exigeront un entretien accru du filtre à carburant

* L'utilisation de diesel n° 2 et de mazout n° 2 par température très froide pourrait exiger un additif antigivrage non toxique.

N'utilisez pas de carburant plus lourd que le grade 2 ou d'huile lourde comme l'huile de vidange de carter. Ces huiles lourdes ne s'allument pas de manière appropriée et contamineront l'appareil de chauffage.

IMPORTANT : N'utilisez qu'un réservoir d'entreposage pour KÉROSÈNE (bleu) ou pour DIESEL (jaune). Assurez-vous que le réservoir est propre. La présence de matières étrangères telles que la rouille, les saletés ou l'eau entraînera l'arrêt de l'appareil de chauffage par le régulateur de température. La présence de matières étrangères peut aussi exiger le nettoyage fréquent du système de carburant de l'appareil de chauffage.

VENTILATION

⚠ AVERTISSEMENT : Il doit y avoir une ouverture sur l'extérieur d'au moins 0,28 m² (3 pi²) pour chaque 2 800 kJ/h (100 000 BTU/h) de puissance. Fournissez davantage d'air frais si plus d'un appareil de chauffage est utilisé. Les exigences minimums de ventilation doivent être satisfaites pour éviter les risques d'empoisonnement au monoxyde de carbone. Assurez-vous que ces exigences sont satisfaites avant d'utiliser l'appareil de chauffage.

Par exemple : Un appareil de chauffage de 80 000 BTU/h (23,4 kW) exige une des solutions suivantes :

- une porte de garage double ayant une ouverture de 4,88 m (16 pi) soulevée de 5,6 cm (2,2 po)
- une porte de garage simple ayant une ouverture de 2,74 m (9 pi) soulevée de 7,4 cm (3,3 po)
- deux fenêtres de 76,2 cm (30 po) soulevées de 13,9 cm (6,2 po).

FONCTIONNEMENT

IMPORTANT : Lisez et comprenez les avertissements de la section Sécurité, page 48. Ils sont requis pour faire fonctionner cet appareil de chauffage sans danger. Respectez tous les règlements et codes locaux lors de l'utilisation de l'appareil de chauffage.

POUR ALLUMER L'APPAREIL DE CHAUFFAGE

1. Suivez toutes les consignes relatives à la ventilation et la sécurité.
2. Placez l'appareil de chauffage de façon à fournir une circulation maximale d'air chaud. Suivez toutes les exigences d'emplacement précisées à la section Sécurité, page 48.
3. Remplissez le réservoir de carburant avec du carburant et fixer le bouchon du réservoir. N'utilisez que du kérosène, du diesel et mazout no 1 et 2, du carburant JET A ou JP-8 pour éviter les risques d'incendie ou d'explosion. N'utilisez jamais d'essence, d'huile de vidange de carter, de naphte, de solvant à peinture, d'alcool ou d'autres produits hautement inflammables.
4. Branchez le cordon d'alimentation de l'appareil de chauffage dans une rallonge homologuée trifilaire mise à la terre. La rallonge doit être d'au moins 1,8 m (6 pi) de long.

Exigences en matière de dimensions de la rallonge électrique

- Entre 1,8 et 3 m (6 et 10 pi), utilisez une rallonge de calibre 18 (0,75 mm²) AWG
 - Entre 3,3 et 30,5 m (11 et 100 pi), utilisez une rallonge de calibre 16 (1,0 mm²) AWG
 - Entre 30,8 et 61 m (101 et 200 pi), utilisez une rallonge de calibre 14 (1,5 mm²) AWG
5. Branchez la rallonge électrique dans une prise trifilaire standard mise à la terre de 120 volts et 60 hertz.
 6. Tourner le bouton du thermostat à la température désirée.

Si la température de consigne du thermostat est supérieure à la température de l'air ambiant, l'appareil de chauffage doit allumer immédiatement. Si le thermostat

chauffage température de consigne est inférieure à une température ambiante, chauffe-eau ne s'enflamme pas. L'exposition aux rayons directs du soleil ou le froid extrême peut affecter la lecture de la température et / ou le fonctionnement du thermostat.

La LED clignotera pendant 8 secondes avant l'allumage. Le voyant reste allumé pendant le fonctionnement du chauffe-eau, même si l'appareil est hors pédalé par le thermostat. La LED clignotera rapidement si l'appareil s'arrête pour une raison quelconque (exemple: si panne de carburant).

⚠ AVERTISSEMENT : Cet appareil de chauffage est doté d'un thermostat. Il peut démarrer à tout moment.

POUR ARRÊTER CHAUFFAGE

1. Tourner le bouton du thermostat sur "STAND BY"
2. Débranchez chauffe lorsqu'il n'est pas utilisé.

POUR REINITIALISER CHAUFFAGE

1. Attendez deux minutes avant de redémarrer.
2. Tourner le bouton du thermostat sur "STAND BY" pendant 10 secondes puis redémarrez chauffe.

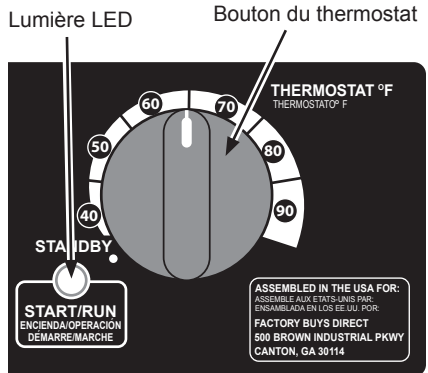


Figure 3 - Contrôles d'affichage

FONCTIONNEMENT AVEC GÉNÉRATEUR PORTABLE

⚠ AVERTISSEMENT : Avant de faire fonctionner l'appareil de chauffage ou n'importe quel appareil à l'aide d'un générateur portable, vérifiez que ce dernier a été mis à la terre correctement. Un générateur dont la mise à la terre est incorrecte ou inexistante pourrait entraîner une électrocution. Consultez le manuel d'utilisation fourni par le fabricant du générateur pour les procédures de mise à la terre.

La plage de tension de fonctionnement de l'appareil de chauffage est comprise entre 108 et 132 volts (120 volts +/- 10 %). Avant de brancher l'appareil de chauffage à un générateur, vérifiez la tension de sortie (si le générateur est doté de la fonction de ralenti automatique, la tension de sortie doit être mesurée pendant que le générateur tourne

à pleine vitesse). Si la tension mesurée se trouve en dehors de cette plage, ne branchez pas l'appareil au générateur.

Consultez la section *Fonctionnement*, page 53, à propos des procédures de démarrage, d'arrêt et de remise en circuit de l'appareil de chauffage.

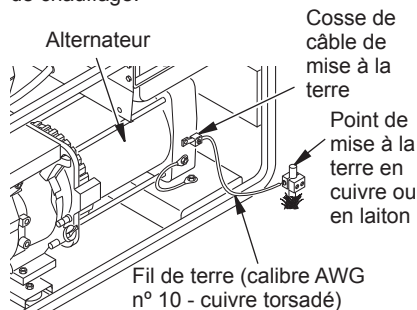


Figure 4 - Méthode typique de mise à la terre du générateur (la construction du générateur pourrait être différente de l'illustration)

ENTREPOSAGE, TRANSPORT OU EXPÉDITION

Remarque : Si l'appareil doit être expédié, les compagnies de transport exigent que les réservoirs de carburant soient vides.

1. Retirez le plus gros du carburant du réservoir à l'aide d'une pompe à siphon. Videz le carburant qui reste par le goulot de remplissage en inclinant l'appareil de chauffage vers l'arrière.
2. Si vous voyez des débris dans le vieux carburant, ajoutez un ou deux litres de kérosène propre dans le réservoir, remuez et videz à nouveau. Ceci empêchera l'excès de débris de bloquer les filtres à l'avenir.

3. Débarassez-vous adéquatement du vieux carburant souillé. Renseignez-vous auprès des postes d'essence des environs qui recyclent de l'huile.

4. Si vous l'entrezposez, laissez l'appareil de chauffage dans un endroit sec. Assurez-vous que l'endroit où vous l'entrezposez est libre de poussières et de vapeurs corrosives.

IMPORTANT : N'entrezposez pas le kérosène pendant l'été pour l'utiliser pendant la saison froide suivante. L'utilisation de vieux carburant pourrait endommager l'appareil de chauffage.

CALENDRIER D'ENTRETIEN PRÉVENTIF

⚠ AVERTISSEMENT : Ne faites jamais l'entretien de l'appareil de chauffage pendant qu'il est branché, en marche ou brûlant. De graves brûlures et des décharges électriques pourraient se produire.

Article	Fréquence	Procédure
Réservoir de carburant	Nettoyez chaque saison ou selon les besoins.	Voir <u>Entreposage, transport ou expédition</u> , page 54.
Filtres de sortie d'air et à peluches	Remplacez tous les 500 heures de fonctionnement ou annuellement.	Voir <u>Filtres d'entrée d'air, de sortie d'air ou de peluche</u> , page 57.
Filtre de prise d'air	Lavez à l'eau savonneuse et séchez toutes les 500 heures de fonctionnement ou au besoin.	Voir <u>Filtres d'entrée d'air, de sortie d'air ou de peluche</u> , page 57.
Filtre à carburant	Nettoyez deux fois par saison de chauffage ou au besoin.	Voir <u>Filtre à carburant</u> , page 58.
Pales du ventilateur	Nettoyez chaque saison ou selon les besoins.	Voir <u>Ventilateur</u> , page 57.
Moteur	Non requis, lubrifié en permanence.	

DÉPANNAGE

⚠ AVERTISSEMENT : Ne faites jamais l'entretien de l'appareil de chauffage pendant qu'il est branché, en marche ou brûlant. De graves brûlures et des décharges électriques pourraient se produire.

⚠ AVERTISSEMENT: Haute tension! Débrancher chauffe avant l'entretien.

AFFICHAGE	CAUSE POSSIBLE	RECOURS
Le moteur ne démarre pas dans les huit secondes après le branchement de l'appareil de chauffage	<ol style="list-style-type: none"> 1. L'appareil n'est pas sous tension. 2. Le réglage du thermostat est trop bas. 3. Mauvaise connexion électrique entre le moteur et la commande d'allumage ou entre la commande d'allumage et le cordon d'alimentation. 4. Grippage du rotor de la pompe. 5. Commande d'allumage défectueuse. 6. Moteur défectueux. 	<ol style="list-style-type: none"> 1. Vérifiez le coupe-circuit du panneau électrique. 2. Tournez le bouton du thermostat à une position plus haute. 3. Vérifiez tous les branchements électriques. Voir <u>Schémas de câblage</u>, page 62. 4. Si le ventilateur ne tourne pas aisément, voir <u>Rotor de pompe</u>, page 61. 5. Remplacez la commande d'allumage. Voir <u>Ensemble de Commande d'Allumage</u>, page 60. 6. Remplacez le moteur.

DÉPANNAGE

⚠ AVERTISSEMENT: Haute tension! Débrancher chauffe avant l'entretien.

<p>Le moteur démarre et tourne, mais l'appareil ne s'allume pas</p>	<ol style="list-style-type: none"> 1. Pas de combustible dans le réservoir. 2. Pression incorrecte de la pompe. 3. Filtre à combustible sale. 4. Obstruction dans la buse. 5. Eau dans le réservoir de combustible. 6. Mauvaise connexion électrique entre l'allumeur et la commande d'allumage. 7. Allumeur défectueux. 8. Commande d'allumage défectueuse. 	<ol style="list-style-type: none"> 1. Remplissez le réservoir avec du kérosène 2. Voir <u><i>Ajustement de la pression à la pompe</i></u>, page 58. 3. Voir <u><i>Filtre à carburant</i></u>, page 58. 4. Voir <u><i>Assemblage de la buse</i></u>, page 60. 5. Vidangez et rincez le réservoir de combustible avec du kérosène propre. Voir <u><i>Entreposage, transport ou expédition</i></u>, page 54 6. Vérifiez les connexions électriques. Voir <u><i>Schémas de câblage</i></u>, page 62. 7. Remplacez l'allumeur, voir page 59. 8. Remplacez la commande d'allumage. Voir <u><i>Ensemble de commande d'allumage</i></u>, page 60.
<p>L'appareil s'allume mais la commande d'allumage l'arrête après peu de temps</p>	<ol style="list-style-type: none"> 1. Pression incorrecte de la pompe. 2. Filtres d'entrée d'air, de sortie d'air et/ ou à poussière sales. 3. Filtre à combustible sale. 4. Obstruction dans la buse. 5. Cellule photoélectrique mal installée (ne détecte pas la flamme). 6. Lentille de cellule photoélectrique sale. 7. Mauvaise connexion électrique entre la cellule photoélectrique et la commande d'allumage. 8. Cellule photoélectrique défectueuse. 9. Commande d'allumage défectueuse. 	<ol style="list-style-type: none"> 1. Voir <u><i>Ajustement de la pression à la pompe</i></u>, page 58. 2. Voir <u><i>Filtres d'entrée d'air, de sortie d'air ou de peluche</i></u>, page 57. 3. Voir <u><i>Filtre à carburant</i></u>, page 58. 4. Voir <u><i>Assemblage de la buse</i></u>, page 60. 5. Assurez-vous que l'enveloppe de la cellule photoélectrique est bien logée dans le support. 6. Nettoyez la lentille de la cellule photoélectrique. 7. Vérifiez les connexions électriques. Voir <u><i>Schémas de câblage</i></u>, page 62. 8. Remplacez la cellule photoélectrique. 9. Remplacez la commande d'allumage. Voir <u><i>Ensemble de commande d'allumage</i></u>, page 60.

⚠ AVERTISSEMENT: Pour éviter tout risque de choc électrique et de brûlure, ne jamais tenter de chauffe de service alors qu'il est branché, l'exploitation, ou à chaud.

ENLÈVEMENT COQUILLE SUPÉRIEURE

1. Retirez les vis de chaque côté du radiateur à l'aide 5/16" écrou-pilote. Ces vis joindre supérieure et inférieure coquilles. Voir Figure 5.
2. Soulevez coque supérieure.
3. Retirez le capot de ventilateur.

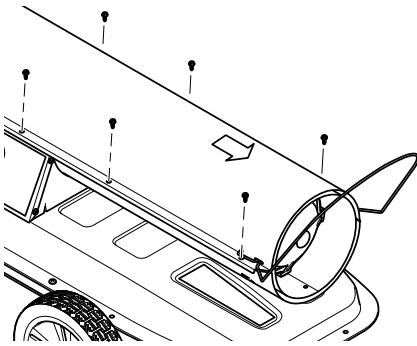


Figure 5 - Enlèvement coquille supérieure

VENTILATEUR

IMPORTANT : Retirez le ventilateur de l'arbre moteur du moteur avant de retirer l'appareil de chauffage. Le poids du moteur repose sur le ventilateur pourrait endommager le terrain du ventilateur (voir figure 6).

1. Retirer coque supérieure (voir figure 5).
2. Le ventilateur est situé avec la vis d'arrêt en contact avec le dos de plate sur le moteur comme le montre la Figure 7.
3. Utilisez 1/8" clé Allen pour desserrer vis de fixation qui retient le ventilateur à l'arbre du moteur (voir figure 6).
4. Glissez l'arbre du moteur du ventilateur.
5. Nettoyer le ventilateur à l'aide d'un chiffon doux imbibé de kérosène ou de solvant.
6. Ventilateur à fond sec.
7. Vis de réglage Lieu à plat de l'arbre. Serrer la vis fermement (40-50 pouces-livres/04.05 à 05.06 n-m).
8. Remplacer le capot de ventilateur et la coque supérieure.

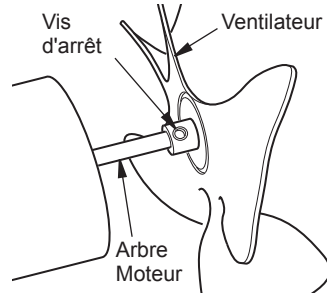


Figure 6 - Emplacement du ventilateur, de l'arbre moteur et des vis d'arrêt

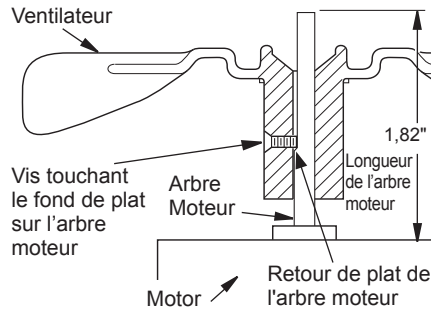


Figure 7 - Section du ventilateur

FILTRES D'ENTRÉE D'AIR, DE SORTIE D'AIR OU DE PELUCHE

1. Retirer coque supérieure (voir figure 5).
2. Enlever le filtre vis du couvercle d'extrémité utilisant 5/16" écrou-pilote (voir figure 8).
3. Retirez le couvercle du filtre fin.
4. Remplacer la sortie de l'air et filtre à charpie.
5. Laver ou remplacer le filtre d'admission d'air.
6. Replacez le couvercle du filtre fin.
7. Remplacer le capot de ventilateur et la coque supérieure.

IMPORTANT: Ne pas les filtres à huile.

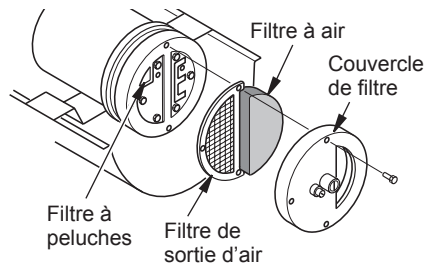


Figure 8 - Filtres de sortie d'air, d'admission d'air, et les peluches

AJUSTEMENT DE LA PRESSION À LA POMPE

1. Retirer le bouchon de jauge de pression de la couverture extrémité du filtre (voir figure 9).
2. Installer de jauge de pression 0-15 PSI.
3. Début de chauffage (voir *Fonctionnement*, page 53). Permettez-chauffe pour atteindre la température de fonctionnement (environ 10 minutes).
4. Régler la pression. Tournez la vanne de secours vers la droite pour augmenter la pression. Tournez la vanne de secours vers la gauche pour diminuer la pression. Voir les spécifications de la figure 10 pour la pression correcte.
5. Retirer la jauge de pression. Remettre le bouchon de jauge de pression couvercle des filtres.

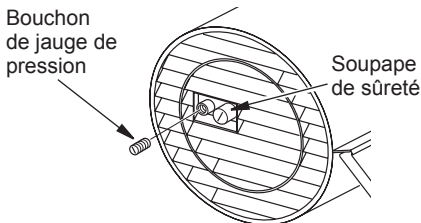


Figure 9 - Retrait du bouchon de la jauge de pression

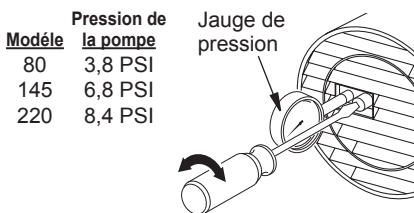


Figure 10 - Réglage de la pression de la pompe

FILTRE A CARBURANT

1. Retirez les vis du couvercle à l'aide secondaires 5/16" écrou-pilote.
2. Retirez le panneau latéral.
3. Tirez la conduite de carburant supérieure hors du filtre à carburant du cou (voir figure 11).
4. Sortir avec précaution douille, filtre à carburant, et la ligne inférieure de carburant sur le réservoir de carburant (voir figure 11).
5. Lavez le filtre à carburant avec du carburant propre et remplacer dans le réservoir.
6. Fixer la conduite de carburant supérieure à alimenter un filtre.
7. Remettez le panneau latéral.

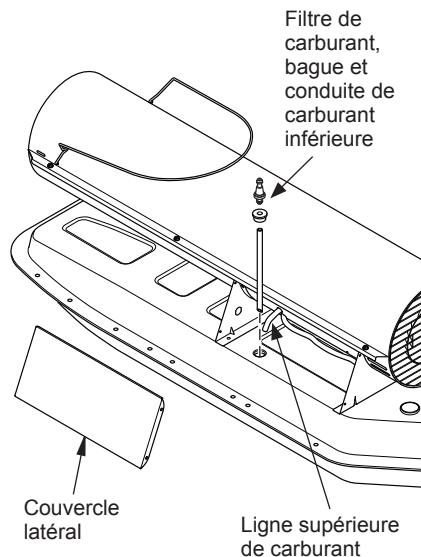


Figure 11 - Retrait du filtre de carburant

PROCÉDURES D'ENTRETIEN

ALLUMEUR

1. Retirer coque supérieure et le capot de ventilateur (voir *Enlèvement coquille supérieur*, page 57).
2. Retirez le ventilateur (voir page 55).
3. Retirez le couvercle du côté de la commande avec un pilote 5/16" écrou. Retirez le panneau latéral (voir les figures 12).
4. Débrancher les fils de l'allumeur de commande d'allumage de montage (voir figure 12). Tirer les fils allumeur à travers le trou dans la coque inférieure.
5. Débrancher le tuyau de carburant et le tuyau en ligne en ligne de l'air. Retirer cellule photoélectrique de cellule photoélectrique support (voir figure 12).
6. Retirer la chambre de combustion. Tenez chambre de combustion sur la fin avec support de l'adaptateur buse au-dessus (voir figure 13).
7. Retirer la vis allumeur avec un pilote 1/4" écrou. Retirez délicatement allumeur de support de l'adaptateur buse.

⚠ ATTENTION: Ne pas plier ou frapper élément allumeur. Manipuler avec précaution.

8. Retirez délicatement allumeur de remplacement de l'emballage.
9. Guidez soigneusement allumeur dans l'ouverture de support de l'adaptateur buse. Ne frappez pas l'élément allumeur. Fixez l'allumeur à support de l'adaptateur de buse avec vis en utilisant un pilote 1/4" écrou. Couple 0,90 à 1,69 Nm (8 à 15 pouces-livres) Ne pas trop serrer.
10. Remplacer la chambre de combustion.
11. Acheminer les fils allumeur vers le bas à travers le trou dans la coque inférieure. Connecter les fils à l'ensemble de commande d'allumage (voir figure 12).
12. Remplacez le couvercle du côté de la commande.
13. Connectez-vous et le tuyau de carburant ligne de l'itinéraire et le tuyau d'air à la ligne de montage adaptateur de buse.
14. Remplacer cellule photoélectrique dans le support de la photocellule.
15. Remplacer le ventilateur (voir page 57).
16. Remplacer le capot de ventilateur et la coque supérieure (voir page 57).

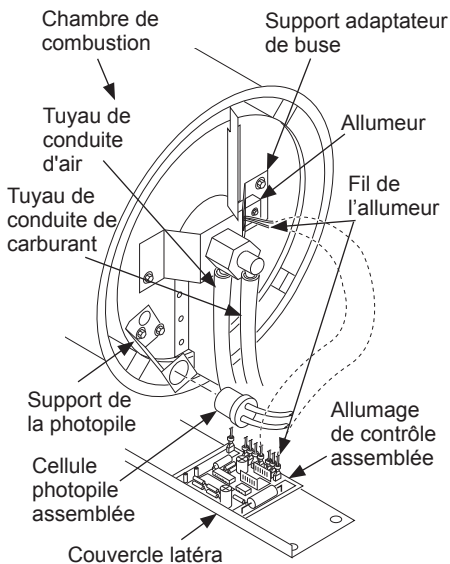


Figure 12 - Débrancher les fils de l'allumeur assemblée de contrôle d'allumage

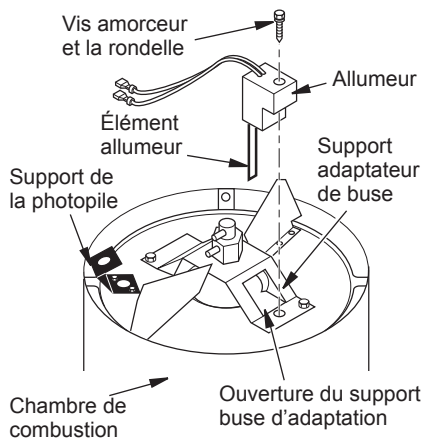


Figure 13 - Amorçeur SP002-01 Remplacement

PROCÉDURES D'ENTRETIEN

ASSEMBLAGE DE LA BUSE

1. Retirer coque supérieure (voir *Enlèvement coquille supérieur*, page 57).
2. Retirez le ventilateur (voir *Ventilateur*, page 57).
3. Retirez les tuyaux de carburant et la conduite d'air de gicleur (voir figure 14).
4. Tourner ensemble de buse 1/4 tour à gauche et tirez-la vers moteur pour retirer (voir figure 15).
5. Placez en plastique hexagonale du corps dans l'étau et serrez légèrement.
6. Soigneusement enlever la buse de l'adaptateur de tuyère en utilisant 5/8" clé à douille (voir figure 16).
7. Souffler de l'air comprimé à travers le visage de la buse. Cela permettra de libérer toute la saleté dans la région de buse.
8. Inspecter la chemise buse pour les dommages.
9. Remplacer la buse dans l'adaptateur de buse jusqu'à ce que les sièges de buses. Serrer tiers à son tour plus de 5/8" clé à douille de 4,5 à 5,1 Nm (40 à 45 pouces-livres). Voir figure 16.
10. Fixez ensemble de buse à la sangle du brûleur (voir figure 15).

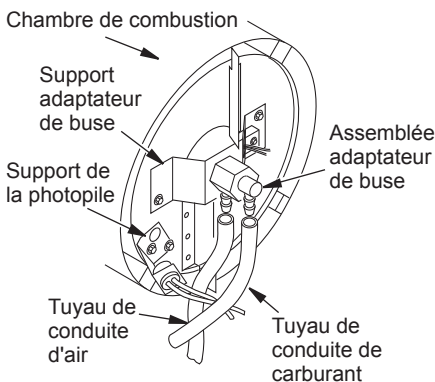


Figure 14 - Retrait de l'air et les tuyaux souples de carburant

11. Fixez les tuyaux de carburant et du transport aérien à l'assemblage buse.
12. Remplacer le ventilateur (voir *Ventilateur*, page 57).
13. Remplacer le capot de ventilateur et la coque supérieure (voir *Enlèvement coquille supérieur*, page 57).

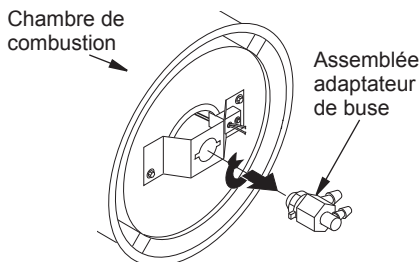


Figure 15 - Retrait de l'assemblée adaptateur de buse

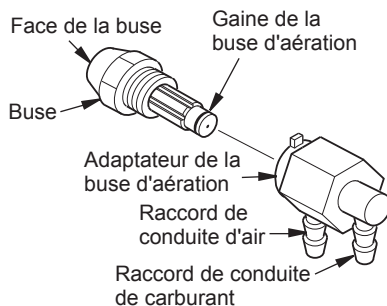


Figure 16 - Buse d'aération et son adaptateur

ENSEMBLE DE COMMANDE D'ALLUMAGE

AVERTISSEMENT: Haute tension!

1. Débranchez chauffe.
2. Pour exposer l'ensemble de commande d'allumage, enlever les vis de contrôle de couverture de panneaux latéraux en utilisant 5/16" écrou-pilote.
3. Retirez l'ensemble de commande d'allumage ancienne. Installez la nouvelle assemblée de commande d'allumage (voir figure 12, page 59).
4. Remettez le panneau latéral du panneau de commande.

PROCÉDURES D'ENTRETIEN

ROTOR DE POMPE

(Procédure en cas de rotor est obligatoire)

1. Retirer coque supérieure (voir Enlèvement coquille supérieur, page 57).
2. Enlever le filtre vis du couvercle d'extrémité utilisant 5/16" tourne-écrou (voir la figure 17).
3. Retirez le couvercle du filtre à la fin et les filtres à air.
4. Retirez les vis de la plaque de la pompe en utilisant 5/16" écrou-pilote.
5. Retirer la plaque de la pompe.
6. Déposer le rotor, d'insertion et lames (voir figure 18).
7. Vérifier les débris dans la pompe. Si des débris se trouve, souffler à l'air comprimé.
8. Installer insert et le rotor.

9. Vérifier l'écartement sur le rotor. Ajuster à 0.076/0.101 mm (0,003"/0,004") si nécessaire (voir figure 18).

Remarque: Faire tourner le rotor d'un tour complet pour assurer l'écart est 0.076/0.101 mm (0,003"/0,004") au plus serré position. Régler si nécessaire.

10. Installez les lames, plaque de pompe, filtres à air, et la couverture extrémité du filtre.
11. Remplacer le capot de ventilateur et la coque supérieure (voir Enlèvement coquille supérieur, page 57).
12. Régler la pression de la pompe (voir Ajustement de la pression à la pompe, page 58).

Remarque: Si le rotor est toujours en vigueur, procéder comme suit.

13. Effectuez les étapes 1 à 6.

14. Papier de verre Lieu fine (grain 600) sur une surface plane. Poncer légèrement le rotor en "figure 8" mouvement quatre fois (voir figure 19).
15. Réinstaller insert et le rotor.
16. Effectuez les étapes 10 à 12.

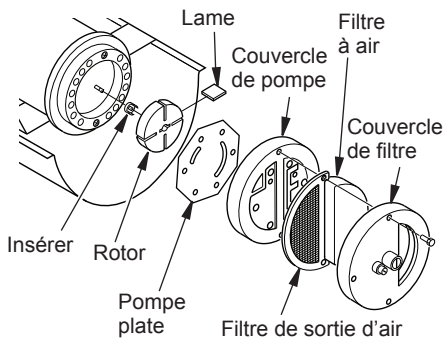


Figure 17 - Localisation du rotor

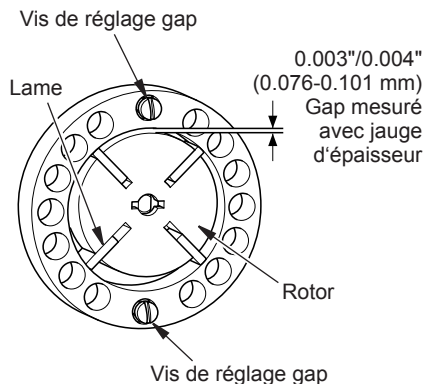


Figure 18 - Emplacements gap vis de réglage

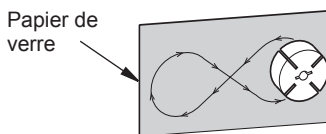
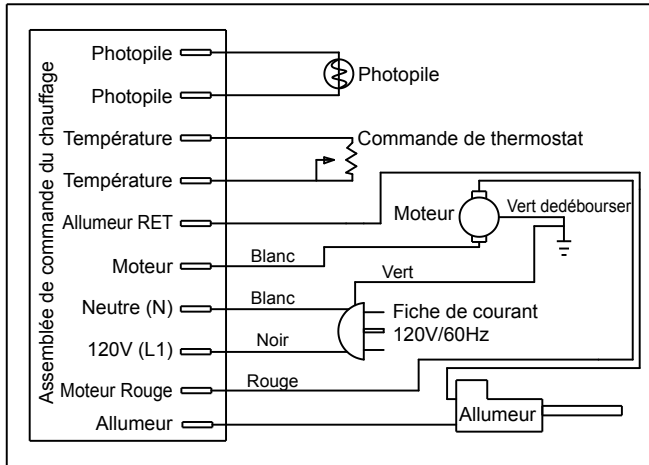


Figure 19 - Ponçage du rotor

SCHÉMA DE CÂBLAGE



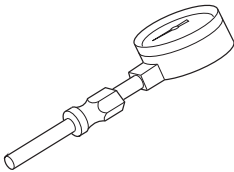
SERVICE TECHNIQUE

Vous aurez peut-être d'autres questions concernant l'installation, le fonctionnement ou le dépannage. Si c'est le cas, appelez Factory Buys Direct au 1-855-607-6557.

Lorsque vous appelez, veuillez avoir les numéros de modèle et de série de votre appareil de chauffage sous la main.

ACCESSOIRES

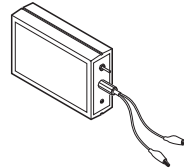
Pour acheter des accessoires et pièces chauffage appelez Factory Buys Direct au 1-855-607-6557.



ST002-01

TROUSSE DE JAUGE D'AIR

Pour tous les modèles. Outil spécial pour vérifier la pression de la pompe. 0-15 jauge PSI. 3/8" filetage NPT.



ST001-01

ASSEMBLAGE DE LA COMMANDE D'ALLUMAGE/TESTEUR DE PHOTOPILE

Outil spécial utilisé pour tester l'ensemble de commande d'allumage et cellule photo-électrique.

REPLACEMENT DE PIÈCES

Remarque: Utilisez uniquement des pièces de rechange originales. Cette garantie permettra de protéger votre Remplacé sous garantie pour les pièces.

PIÈCES SOUS GARANTIE

Communiquez avec des vendeurs autorisés de ce produit. S'ils ne peuvent pas vous fournir de pièces de rechange d'origine, composez sans frais le service à la clientèle au 1-855-607-6557 pour obtenir des informations de référence.

Quand appeler le service clientèle ou votre revendeur, avoir en main:

- votre nom
- votre adresse
- le modèle et le numéro de série de votre appareil de chauffage
- une description de la panne de l'appareil de chauffage
- Type de l'approvisionnement en gaz et propane/LP taille du réservoir
- la date d'achat

En général, nous vous demanderons de retourner la pièce à l'usine.

PIÈCES QUI NE SONT PAS SOUS GARANTIE

Communiquez avec des vendeurs autorisés de ce produit. S'ils ne peuvent pas vous fournir de pièces de rechange d'origine (s) appelez le service clientèle au numéro sans frais 1-855-607-6557 pour obtenir des informations à référence.

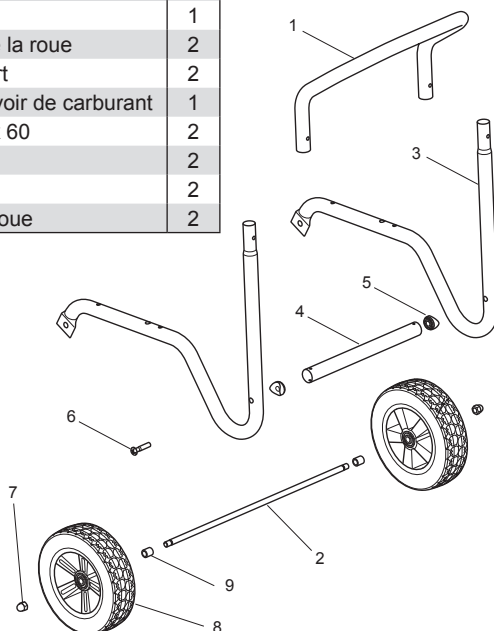
Lors de l'appel de service à la clientèle avoir sous la main:

- le modèle et le numéro de série de votre appareil de chauffage
- le numéro de la pièce de rechange

PIÈCES

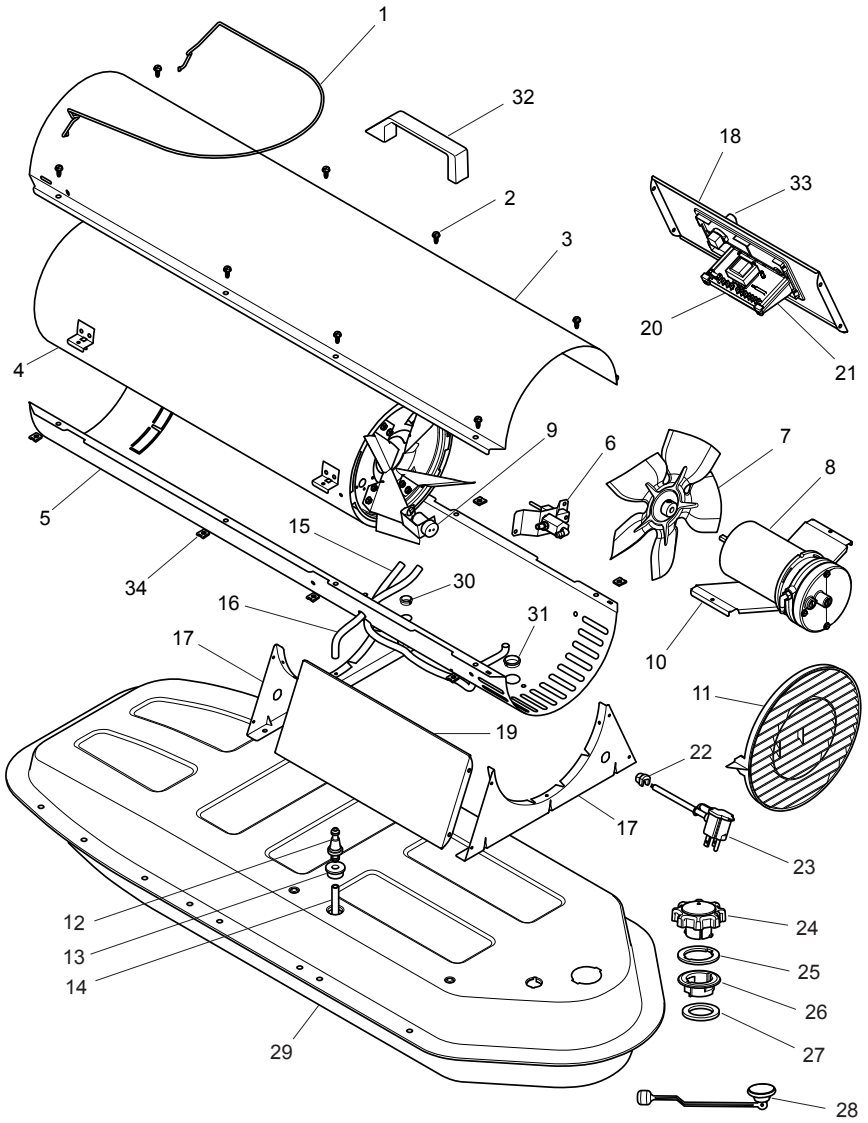
ROUE ET POIGNEES MODÈLES FBD125T ET FBD175T

N°	N° de pièce	Description	QTÉ
1	160074-01	Poignée arrière	1
2	160079-01	Essieu	1
3	160072-01	Cadre support de la roue	2
4	160158-01	Douille de support	2
5	160072-12	Soutien du réservoir de carburant	1
6	160072-13	Visser, M10-1.5 x 60	2
7	160129-01	Écrou borgne	2
8	160080-01	Roue	2
9	160130-01	Espacement de roue	2



PIÈCES

MODÈLES FBD75T, FBD125T ET FBD175T



PIÈCES

MODÈLES FBD75T, FBD125T ET FBD175T

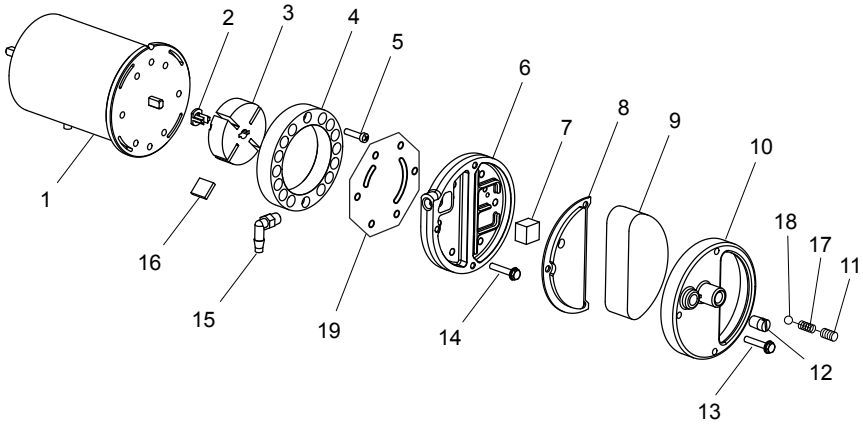
Cette liste contient les pièces de rechange utilisées dans votre appareil. Pour commander des pièces, assurez-vous de fournir un modèle correct et numéros de série de la plaque (modèle), et le nombre et la description de la pièce désirée.

N °	FBD75T	FBD125T	FBD175T	Description	QTÉ
1	160075-01	160075-02	160075-02	Fil de garde	1
2	**	**	**	Coquille vis	8 ou 10
3	**	**	**	Coquille supérieur	1
4	**	**	**	Chambre de combustion	1
5	**	**	**	Coquille inférieure	1
6	<i>voir le détail, pg 63</i>			Ensemble support de buse	
7	160011-01	160058-01	160058-01	Ventilateur	1
8	<i>voir le détail, pg 62</i>			Ensemble moteur/pompe	
9	<i>voir le détail, pg 62</i>			Ensemble photopile support	
10	160043-01	160043-02	160043-02	Support de montage du moteur	1
11	160066-01	160066-02	160066-02	Garde ventilateur	1
12	160012-02	160012-01	160012-01	Filtre à carburant	1
13	**	**	**	Bague du tube de carburant	1
14	160038-01	160038-02	160038-02	Ligne inférieure de carburant	1
15	160037-02	160037-02	160037-02	Tube aérienne	1
16	160039-01	160039-01	160039-01	Ligne supérieure de carburant	1
17	**	**	**	Coquille support	2
18	160184-01	160184-02	160184-02	Capot latéral droit	1
19	160183-01	160183-02	160183-02	Capot latéral gauche	1
20	113471-02	113471-02	113471-02	Commande du thermostat LED	1
21	160190-01	160190-01	160190-01	Commande de thermostat support	1
22	160013-01	160013-01	160013-01	Bague	1
23	160021-01	160021-01	160021-01	Cordon d'alimentation	1
24	160030-01	160030-01	160030-01	Bouchon de carburant ventilé	1
25	160030-03	160030-03	160030-03	Joint bouchon de carburant	1
26	160031-01	160031-01	160031-01	Plastic Filler Neck	1
27	160036-01	160036-01	160036-01	Joint goulot de remplissage	1
28	160005-01	160005-02	160005-02	Jauge de carburant	1
29	160139-01BK	160140-01BK	160140-01BK	Ensemble réservoir de carburant	1
30	**	**	**	Shorty douille .512	1
31	**	**	**	Shorty douille .866	1
32	160185-01	----	----	Poignée en plastique	1
	160186-01	----	----	Support poignée	1
33	160027-01	160027-01	160027-01	Bouton de commande	1
34	**	**	**	Collier, l'écrou, #10, .08 wall	8 ou 10

** Remplacement à l'usine seulement.

PIÈCES

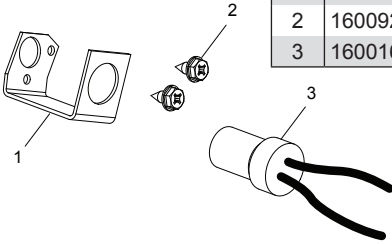
MOTEUR ET LA POMPE DE L'ASSEMBLÉE MODÈLES FBD75T, FBD125T ET FBD175T



N°	N° de pièce	Description	Qté
1	160001-01	Moteur	1
2	160023-01	Insérer le rotor	1
3	160003-01	Pompe à rotor	1
4	160006-01	Pompe anneau	1
5	160088-01	Visser, 10-32 x .62	2
6	160007-01	Couvercle de pompe	1
7	160009-01	Filtre à peluches	1
8	160008-01	Filtre de sortie	1
9	160010-01	Filtre d'admission	1
10	160057-01	Couvercle de filtre	1
11	160025-01	Visser de réglage	1
12	160024-01	Bouchon de tuyau	1
13	160090-01	Visser, 10-32 x 1.0	3
14	160089-01	Visser, 10-32 x 1.12	6
15	160029-01	Coude Nylon 90°	1
16	160004-01	Pompe lame	4
17	160052-01	Ressort du regulateur	1
18	160053-01	Boule d'acier	1
19	160189-01	Pompe plate	1

PIÈCES

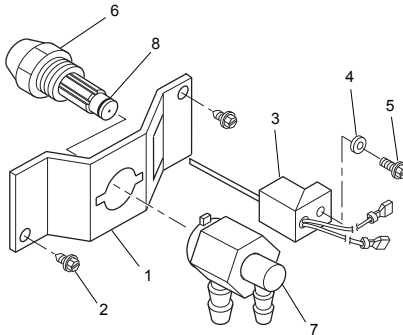
CELLULE PHOTOÉLECTRIQUE ASSEMBLÉE MODÈLES FBD75T, FBD125T ET FBD175T



N°	N° de pièce	Description	Qté
1	160041-03	Cellule photoélectrique support	1
2	160092-02	Visser, 6-32 x .38	2
3	160016-01	Cellule photoélectrique assemblée	1

ENSEMBLE DE BUSES

MODÈLES FBD75T, FBD125T ET FBD175T



N°	FBD75T	FBD125T	FBD175T	Description	Qté
1	160042-01	160042-01	160042-01	Support adaptateur de buse	1
2	160102-01	160102-01	160102-01	Visser, 10-16 x .38	1
3	160002-01	160002-01	160002-01	Allumeur	1
4	160093-01	160093-01	160093-01	Belleville rondelle	1
5	160092-01	160092-01	160092-01	Visser, 6-32 X .88	1
6	160040-32	160040-38	160040-39	Assemblage de la buse d'aération	1
7	160028-01	160028-01	160028-01	Adaptateur buse	1
8	160040-E	160040-E	160040-E	O-Ring	1

GARANTIE

GARDEZ CETTE GARANTIE

Modèle _____

N ° de série _____

Date d'achat _____

Conserver la facture pour vérification de la garantie.

ENREGISTREZ VOTRE PRODUIT À WWW.FACTORYBUYSDIRECT.COM

FACTORY BUYS DIRECT GARANTIES LIMITÉES

Nouveaux Produits - Chauffage Extérieur

Garantie Standard: Factory Buys Direct garantit que ce nouveau produit et de ses parties d'être exempt de vices de matériaux et de fabrication pour une période de un (1) an à compter de la date du premier achat chez un revendeur agréé à condition que le produit a été installé, entretenu et exploité conformément avec des avertissements de la Société et les instructions.

Pour les produits achetés pour un usage commercial, industriel ou de la location, cette garantie est limitée à 90 jours à compter de la date du premier achat.

Produits Reconditionnés en Usine

Garantie Limitée: Factory Buys Direct garantit que les produits reconditionnés en usine et toutes les parties de celui-ci est exempt de vices de matériaux et de fabrication pour une période de 30 jours à compter de la date du premier achat chez un revendeur agréé à condition que le produit a été installé, entretenu et exploité conformément aux avertissements Factory Buys Direct et instructions. Aucun retour ne sera autorisée. Les pièces seront fournies à la réparation du produit.

Conditions Communes à Tous les Garanties

Les conditions suivantes s'appliquent à l'ensemble des garanties ci-dessus:

Toujours spécifier le numéro de modèle et le numéro de série lorsque vous contactez le fabricant. Pour faire une réclamation sous cette garantie, la facture de vente ou autre preuve d'achat doit être présentée.

Cette garantie est accordée uniquement à l'acheteur original au détail lors de l'achat chez un revendeur agréé, et seulement lorsqu'il est installé par un installateur qualifié en conformité avec tous les codes locaux et instructions fournies avec ce produit.

Cette garantie couvre le coût de la partie(s) nécessaire pour restaurer ce produit à l'état de fonctionnement correct et une allocation de main-d'œuvre lorsqu'ils sont fournis par un Factory Buys Direct centre de service autorisé ou un fournisseur approuvé par Factory Buys Direct. Garantie pièces doit être obtenu par des courtiers autorisés de ce produit et / ou Factory Buys Direct, qui fournira des pièces de rechange d'usine. Si vous n'utilisez pas des pièces de rechange d'usine annulera cette garantie.

Voyager, la manutention, le transport, de diagnostic, matériel, main-d'œuvre et les frais accessoires liés à des réparations sous garantie, sauf si expressément couverts par cette garantie, ne sont pas remboursables en vertu de cette garantie et sont la responsabilité du propriétaire.

Sont exclus de cette garantie sont des produits ou des pièces qui tombent en panne ou sont endommagés en raison d'une mauvaise utilisation, d'accidents, mauvaise installation, manque d'entretien approprié, la falsification ou altération (s).

C'est la garantie Factory Buys Direct exclusif de l', et dans toute la mesure permise par la loi; cette garantie expresse exclut toute autre garantie, expresse ou implicite, écrite ou verbale, et limite la durée de toutes les garanties implicites, y compris garanties de qualité marchande et d'adéquation à un usage particulier à un (1) an sur les nouveaux produits et 30 jours sur les produits reconditionnés en usine à partir de la date du premier achat.

Factory Buys Direct n'offre aucune garantie concernant ce produit.

La responsabilité Factory Buys Direct est limitée au prix d'achat du produit et Factory Buys Direct n'est pas responsable de tout dommage que ce soit d'autres en toutes circonstances, y compris directs, indirects, accidentels ou indirects.

Certains États n'autorisent pas les limitations sur la durée d'une garantie implicite ou l'exclusion ou la limitation des dommages fortuits ou consécutifs, de sorte que la limitation ou l'exclusion peut ne pas s'appliquer à vous.

Cette garantie vous donne des droits légaux spécifiques, et vous pouvez également avoir d'autres droits qui varient d'État à État.



**FACTORY
BUYS
DIRECT.COM**

Factory Buys Direct
500 Brown Industrial Parkway
Canton, GA 30114
1-855-607-6557

160942-01
Rev. A
01/15