

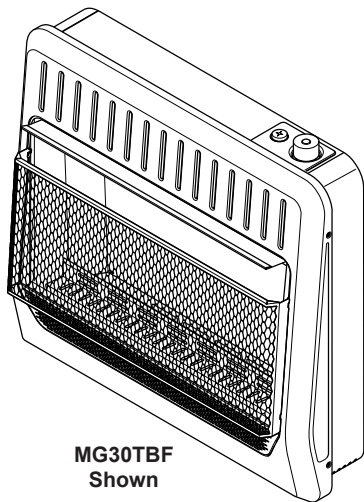


**VENT-FREE GAS WALL
HEATER**

**OWNER'S OPERATION AND
INSTALLATION MANUAL**

BLUE FLAME MODELS

**MG10TBF, MG20TBF, MG30TBF
MG20TBF-BB, MG30TBF-BB**



**MG30TBF
Shown**



⚠ WARNING: If the information in this manual is not followed exactly, a fire or explosion may result causing property damage, personal injury or loss of life.

- Do not store or use gasoline or other flammable vapors and liquids in the vicinity of this or any other appliance.
- **WHAT TO DO IF YOU SMELL GAS**
 - Do not try to light any appliance.
 - Do not touch any electrical switch; do not use any phone in your building.
 - Immediately call your gas supplier from a neighbor's phone. Follow the gas supplier's instructions.
 - If you cannot reach your gas supplier, call the fire department.
- Installation and service must be performed by a qualified installer, service agency or the gas supplier.

⚠ WARNING: This appliance is equipped for Natural and Propane gas. Field conversion is not permitted other than between natural or propane gases.



Questions, problems, missing parts? Before returning to your retailer, call our customer service department at 1-866-573-0674, 7:30 am - 4:15 pm CST, Monday through Friday or email customerservice@usaprocom.com

TABLE OF CONTENTS

Safety	3	Electrical Connection.....	20
Qualified Installing Agency	4	Electrical Wiring.....	20
Specifications	5	Inspecting Burners.....	21
Product Features.....	6	Care And Maintenance.....	22
Local Codes.....	6	Troubleshooting.....	23
Preparing For Installation	6	Technical Service.....	26
Unpacking.....	7	Replacement Parts.....	27
Water Vapor: A By-Product Of		Accessories	27
Unvented Room Heaters.....	7	Service Hints	27
Air For Combustion and Ventilation.....	7	Parts	28
Installation	9	Warranty	32
Operation.....	18		

SAVE THIS BOOK

INSTALLER: Leave this manual with the appliance.
CONSUMER: Retain this manual for future reference.

This is an unvented gas-fired heater. It uses air (oxygen) from the room in which it is installed. Provisions for adequate combustion and ventilation air must be provided. Refer to *Air For Combustion and Ventilation* section on page 7 of this manual.

⚠ WARNING: Improper installation, adjustment, alteration, service or maintenance can cause injury or property damage. Refer to this manual for correct installation and operational procedures. For assistance or additional information consult a qualified installer, service agency or the gas supplier.

This appliance may be installed in an aftermarket,* permanently located, manufactured (mobile) home, where not prohibited by local codes.

This appliance is only for use with propane or natural gas. Field conversion by any other means including the use of a kit is not permitted.

* Aftermarket: Completion of sale, not for purpose of resale, from the manufacturer.

PATENT INFORMATION

This product may be covered by one or more of the following United States patents:

8,915,239 8,851,065 8,764,436 8,757,202 8,757,139 8,752,541 8,568,136
8,545,216 8,517,718 8,516,878 8,506,290 8,465,277 8,317,511 8,297,968
8,281,781 8,241,034 8,235,708 8,152,515 8,011,920 7,967,006 7,967,007
7,654,820 7,730,765 7,677,236 7,607,426 7,434,447

SAFETY

IMPORTANT: Read this owner's manual carefully and completely before trying to assemble, operate, or service this heater. Improper use of this heater can cause serious injury or death from burns, fire, explosion, electrical shock and carbon monoxide poisoning.

Only a qualified installer, service agent, or local gas supplier may install and service this product.

⚠ WARNING: Keep the appliance area clear and free from combustible materials, gasoline, and other flammable vapors and liquids.

⚠ WARNING: This appliance can be used with propane or natural gas. It is shipped from the factory adjusted for use with propane.

This appliance is only for use with the type of gas indicated on the rating plate. This appliance is not convertible for use with other gases.

⚠ DANGER: Carbon monoxide poisoning may lead to death!

CARBON MONOXIDE POISONING: Early signs of carbon monoxide poisoning resemble the flu, with headaches, dizziness or nausea. If you have these signs, the heater may not be working properly. Get fresh air at once! Have heater serviced. Some people are more affected by carbon monoxide than others. These include pregnant women, people with heart or lung disease or anemia, those under the influence of alcohol and those at high altitudes.

NATURAL AND PROPANE/LP GAS: Natural and Propane/LP gas are odorless. An odor-making agent is added to the gas. The odor helps you detect a gas leak. However, the odor added to the gas can fade. Gas may be present even though no odor exists.

⚠ WARNING: Any change to this heater or its controls can be dangerous.

⚠ WARNING: Do not use any accessories not approved for use with this heater.

⚠ WARNING: Carefully supervise young children when they are in the room with the heater.

⚠ WARNING: Make sure grill guard is in place before running heater.

⚠ WARNING: Due to high temperatures, the appliance should be located out of traffic and away from furniture and draperies.

⚠ WARNING: Heater becomes very hot when running. Children and adults should be alerted to the hazards of high surface temperatures and should stay away to avoid burns and clothing ignition. Heater will remain hot for a time after shutoff. Allow surfaces to cool before touching.

⚠ WARNING: Do not place clothing or other flammable material on or near the appliance. Never place any objects in the heater.

SAFETY

1. Do not place Propane/LP supply tank(s) inside any structure. Propane/LP supply tank(s) must be placed outdoors.
2. Heaters with a maximum input over 6,000 Btu/Hr shall not be installed in a bathroom. Heaters with a maximum input over 10,000 Btu/Hr shall not be installed in a bedroom.
3. This heater needs fresh air ventilation to run properly. This heater has an Oxygen Depletion Sensing (ODS) safety shutoff system. The ODS shuts down the heater if not enough fresh air is available. See *Air for Combustion and Ventilation*, pages 7 through 9. If heater keeps shutting off, see *Troubleshooting*, page 23.
4. Keep all air openings in front and bottom of heater clear and free of debris. This will ensure enough air for proper combustion.
5. If heater shuts off, do not relight until you have provided fresh, outside air. If heater keeps shutting off, have it serviced.
6. Do not run heater:
 - Where flammable liquids or vapors are used or stored.
 - Under dusty conditions.
7. Before using furniture polish, wax, carpet cleaner, or similar products, turn heater off. If heated, the vapors from these products may create a white powder residue within burner box or on adjacent walls or furniture.
8. Do not use heater if any part has been under water. Immediately call a qualified service technician to inspect the room heater and to replace any part of the control system and any gas control which has been under water.
9. Turn off and unplug heater and let cool before servicing. Only a qualified service person should service and repair heater.
10. Operating heater above elevations of 4,500 feet could cause pilot outage.
11. To prevent performance problems, do not use propane/LP fuel tank of less than 100 lbs. capacity.

QUALIFIED INSTALLING AGENCY

Only a qualified agency should install and replace gas piping, gas utilization equipment or accessories, and repair and equipment servicing. The term "qualified agency" means any individual, firm, corporation, or company that either in person or through a representative is engaged in and is responsible for:

- a) Installing, testing, or replacing gas piping or
- b) Connecting, installing, testing, repairing, or servicing equipment; that is experienced in such work; that is familiar with all precautions required; and that has complied with all the requirement of the authority having jurisdiction.

SPECIFICATIONS

Model	MG10TBF		MG20TBF		MG30TBF	
Ignition	Piezo Ignitor					
Gas Type	Natural	Propane	Natural	Propane	Natural	Propane
BTU/Hr Input Max. (available)	10,000	10,000	20,000	20,000	30,000	30,000
BTU/Hr Input Min. (available)	5,000	8,000	10,000	16,000	15,000	24,000
Pressure Regulator Setting	4" W.C.	9" W.C.	4" W.C.	9" W.C.	4" W.C.	9" W.C.
Inlet Gas Pressure* (inches of water)	Max. 9.5"	Max. 14"	Max. 9.5"	Max. 14"	Max. 9.5"	Max. 14"
	Min. 5"	Min. 11"	Min. 5"	Min. 11"	Min. 5"	Min. 11"
Heater Dimensions (HxWxD)	21.2" x 15.79" x 6.85"		24.1" x 18.46" x 8"		24.1" x 25.5 x 8.46"	
Carton Dimensions (HxWxD)	22.83" x 17.95" x 8.23"		26.18" x 20.7" x 9.84"		26.18" x 28.15" x 9.84"	
Heater Weight	15 lbs		20 lbs		25.2 lbs	
Shipping Weight	17.6 lbs		23.6 lbs		29.5 lbs	

Model	MG20TBF-BB		MG30TBF-BB	
Ignition	Piezo Ignitor			
Gas Type	Natural	Propane	Natural	Propane
BTU/Hr Input Max. (available)	20,000	20,000	30,000	30,000
BTU/Hr Input Min. (available)	10,000	16,000	15,000	24,000
Pressure Regulator Setting	4" W.C.	9" W.C.	4" W.C.	9" W.C.
Inlet Gas Pressure* (inches of water)	Max. 9.5"	Max. 14"	Max. 9.5"	Max. 14"
	Min. 5"	Min. 11"	Min. 5"	Min. 11"
Heater Dimensions (HxWxD)	24.1" x 18.46" x 8"		24.1" x 25.5 x 8.46"	
Carton Dimensions (HxWxD)	26.18" x 20.7" x 9.84"		26.18" x 28.15" x 9.84"	
Heater Weight	22.4 lbs		27.6 lbs	
Shipping Weight	26.2 lbs		31.9 lbs	

Note: Dimensions listed are outer most points on the heater (includes control knobs and grill).

* For purposes of input adjustment.

Electrical Requirement for Blower Kit (optional for models MG20TBF and MG30TBF, included with models MG20TBF-BB and MG30TBF-BB) (if equipped)

Voltage • 120 VAC, 60 Hz

PRODUCT FEATURES

SAFETY PILOT

This heater has a pilot with an Oxygen Depletion Sensing (ODS) safety shutoff system. The ODS/pilot shuts off the heater if there is not enough fresh air.

THERMOSTATIC CONTROL

The control automatically cycles the burner on and off to maintain a desired room temperature.

2 GAS OPTIONS AVAILABLE

Your heater is equipped to operate on either Propane/LP or Natural gas. The heater is shipped from the factory ready for connecting to Propane/LP. The heater can easily be changed to Natural gas by having your qualified installer follow the instructions on page 13 and the markings on the heater.

LOCAL CODES

Install and use heater with care. Follow all local codes. In the absence of local codes, use the latest edition of *The National Fuel Gas Code, ANSI Z223.1/NFPA 54**.

*Available from:

American National Standards Institute, Inc.
25 West 43rd Street
New York, NY 10036

National Fire Protection Association, Inc.
1 Batterymarch Park
Quincy, MA 02269-9101

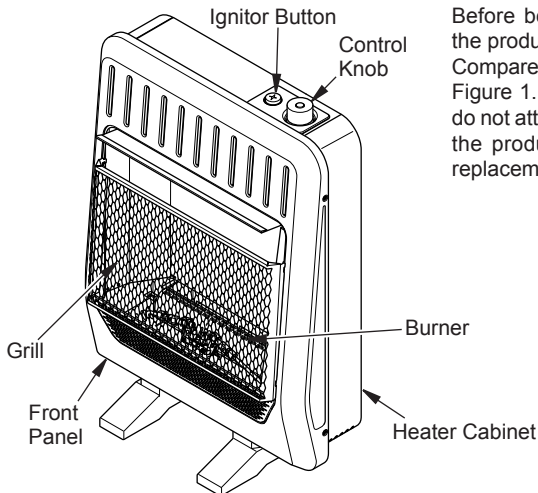
This heater is designed for vent-free operation. State and local codes in some areas prohibit the use of vent-free heaters.

State of Massachusetts: The installation must be made by a licensed plumber or gas fitter in the Commonwealth of Massachusetts.

Sellers of unvented propane or natural gas-fired supplemental room heaters shall provide to each purchaser a copy of 527 CMR 30 upon sale of the unit.

In the State of Massachusetts the gas cock must be a T-handle type. The State of Massachusetts requires that a flexible appliance connector cannot exceed three feet in length.

PREPARING FOR INSTALLATION



Before beginning assembly or operation of the product, make sure all parts are present. Compare parts with package contents list and Figure 1. If any part is missing or damaged, do not attempt to assemble, install or operate the product. Contact customer service for replacement parts.

**Figure 1 - Vent-Free Gas Heater
MG20TBF Shown with Optional Base Feet**

UNPACKING

1. Remove heater from carton.
2. Remove all protective packaging applied to heater for shipping
3. Check heater for any shipping damage. If heater is damaged, promptly inform dealer where you bought heater.

WATER VAPOR: A BY-PRODUCT OF UNVENTED ROOM HEATERS

Water vapor is a by-product of gas combustion. An unvented room heater produces approximately one (1) ounce (30 mL) of water for every 1,000 BTUs (0.3 KWs) of gas input per hour. Unvented room heaters are recommended as supplemental heat (a room) rather than a primary heat source (an entire house). In most supplemental heat applications, the water vapor does not create a problem. In most applications, the water vapor enhances the low humidity atmosphere experienced during cold weather.

The following steps will help ensure that water vapor does not become a problem.

1. Be sure the heater is sized properly for the application, including ample combustion air and circulation air.
2. If high humidity is experienced, a dehumidifier may be used to help lower the water vapor content of the air.
3. Do not use an unvented room heater as the primary heat source.

AIR FOR COMBUSTION AND VENTILATION

⚠ WARNING: This heater shall not be installed in a confined space or unusually tight construction unless provisions are provided for adequate combustion and ventilation air. Read the following instructions to insure proper fresh air for this and other fuel-burning appliances in your home.

Today's homes are built more energy efficient than ever. New materials, increased insulation and new construction methods help reduce heat loss in homes. Home owners weather strip and caulk around windows and doors to keep the cold air out and the warm air in. During heating months, home owners want their homes as airtight as possible.

While it is good to make your home energy efficient, your home needs to breathe. Fresh air must enter your home. All fuel-burning appliances need fresh air for proper combustion and ventilation.

Exhaust fans, fireplaces, clothes dryers and fuel burning appliances draw air from the house to operate. You must provide adequate fresh air for these appliances. This will insure proper venting of vented fuel-burning appliances.

⚠ WARNING: This heater shall not be installed in a room or space unless the required volume of indoor combustion air is provided by the method described in the *National Fuel Gas Code, ANSI Z223.1/NFPA 54*, the *International Fuel Gas Code*, or applicable local codes.

⚠ WARNING: If the area in which the heater may be operated is smaller than that defined as an unconfined space or if the building is of unusually tight construction, provide adequate combustion and ventilation air by one of the methods described in the *National Fuel Gas Code, ANSI Z223.1/NFPA 54*, the *International Fuel Gas Code*, or applicable local codes.

AIR FOR COMBUSTION AND VENTILATION

VENTILATION AIR

Ventilation Air From Inside Building

This fresh air would come from an adjoining unconfined space. When ventilating to an adjoining unconfined space, you must provide two permanent openings: one within 12" of the ceiling and one within 12" of the floor on the wall connecting the two spaces (see options 1 and 2, Figure 2). You can also remove door into adjoining room (see option 3, Figure 2). Follow the *National Fuel Gas Code, ANSI Z223.1/NFPA 54, Air for Combustion and Ventilation* for required size of ventilation grills or ducts.

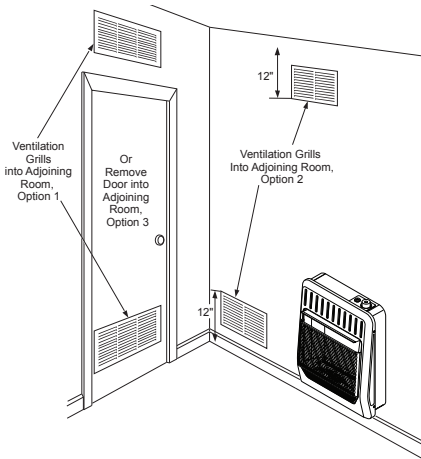


Figure 2 - Ventilation Air from Inside Building

Ventilation Air From Outdoors

Provide extra fresh air by using ventilation grills or ducts. You must provide two permanent openings: one within 12" of the ceiling and one within 12" of the floor. Connect these items directly to the outdoors or spaces open to the outdoors. These spaces include attics and crawl spaces. Follow the *National Fuel Gas Code, ANSI Z223.1/NFPA 54, Air for Combustion and Ventilation* for required size of ventilation grills or ducts.

IMPORTANT: Do not provide openings for inlet or outlet air into attic if attic has a thermostat-controlled power vent. Heated air entering the attic will activate the power vent. Rework worksheet, adding the space of the adjoining unconfined space. The combined spaces must have enough fresh air to supply all appliances in both spaces.

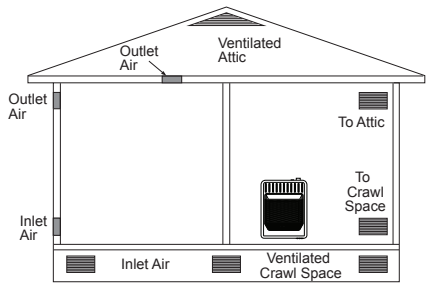


Figure 3 - Ventilation Air from Outdoors

INSTALLATION

NOTICE: This heater is intended for use as supplemental heat. Use this heater along with your primary heating system. Do not install this heater as your primary heat source. If you have a central heating system, you may run system's circulating blower while using heater. This will help circulate the heat throughout the house. In the event of a power outage, you can use this heater as your primary heat source.

⚠ WARNING: A qualified service person must install heater. Follow all local codes.

⚠ WARNING: Never install the heater

- over 6,000 Btu/Hr in a bathroom. Do not install heaters over 10,000 Btu/Hr in a bedroom.
- in a recreational vehicle
- where curtains, furniture, clothing, or other flammable objects are less than 36" from the front, top, or sides of the heater
- in high traffic areas
- in windy or drafty areas

⚠ CAUTION: This heater creates warm air currents. These currents move heat to wall surfaces next to heater. Installing heater next to vinyl or cloth wall coverings or operating heater where impurities (such as tobacco smoke, aromatic candles, cleaning fluids, oil or kerosene lamps, etc.) in the air exist, may cause walls to discolor.

IMPORTANT: Vent-free heaters add moisture to the air. Although this is beneficial, installing heater in rooms without enough ventilation air may cause mildew to form too much moisture. See *Air for Combustion and Ventilation*, pages 7 and 8.

CHECK GAS TYPE

Be sure your gas supply is right for your heater. Otherwise, call dealer where you bought the heater for proper type heater.

CLEARANCES TO COMBUSTIBLES

Carefully follow the instructions below. This heater is a freestanding unit designed to be mounted on a wall or set on a base.

⚠ WARNING: Maintain the minimum clearances shown in Figure 4. If you can, provide greater clearances from floor, ceiling, and joining wall.

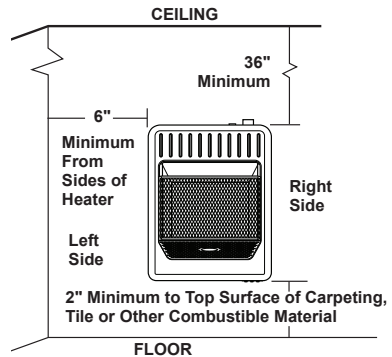


Figure 4 - Mounting Clearances as Viewed From Front of Heater

LOCATING HEATER

This heater is designed to be mounted on a wall. For convenience and efficiency, install heater:

1. Where there is easy access for operation, inspection, and service.
2. In the coldest part of room.

When installing the appliance directly on carpeting, tile or other combustible material other than wood flooring, the appliance shall be installed on a metal or wood panel extended the full width and depth of the appliance.

INSTALLATION

INSTALLING THERMOSTAT SENSING BULB (OPTIONAL)

1. Pull out the sensing bulb from the two clips located in the shipping position. There is no need to take out the two bulb clips.
2. Take out the bulb clip from the hardware package and insert it into the square hole. Then insert the sensing bulb into the bulb clip (see Figure 5).

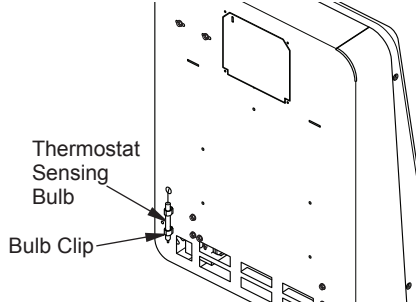


Figure 5 - Moving Thermostat Sensing Bulb

REMOVING FRONT PANEL

1. Remove 4 screws securing front panel.
2. Carefully slide front panel forward.

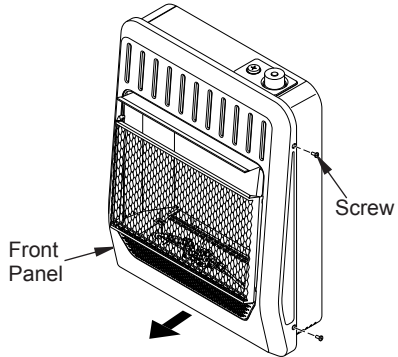


Figure 6 - Removing Front Panel

FASTENING HEATER TO WALL

Mounting Bracket

The mounting bracket is located on back panel of heater. It has been taped there for shipping. Remove mounting bracket from back panel.

Methods For Attaching Mounting Bracket To Wall

Use only the last hole on each end of mounting bracket to attach bracket to wall. Attach mounting bracket to a wall only in one of two ways:

1. **Attaching to wall stud:** This method provides the strongest hold. Insert mounting screws through mounting bracket and into wall studs.
2. **Attaching to wall anchor:** This method allows you to attach mounting bracket to hollow walls (wall areas between studs) or to solid walls (concrete or masonry).

Decide which method better suits your needs. Either method will provide a secure hold for the mounting bracket.

Marking Screw Locations

1. Tape mounting bracket to wall where heater will be located. Make sure mounting bracket is level.

WARNING: Maintain minimum clearances shown in Figure 4, page 9. If you can, provide greater clearances from floor and joining wall.

INSTALLATION

2. Mark screw locations on wall (see Figure 7). *Note: Mark only last hole on each end of mounting bracket. Insert mounting screws through these holes only.*
3. Remove tape and mounting bracket from wall.

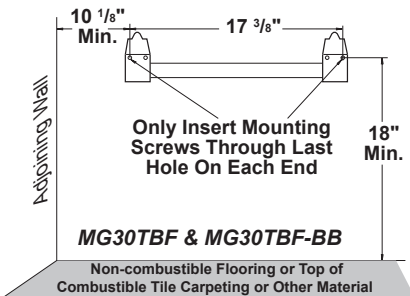
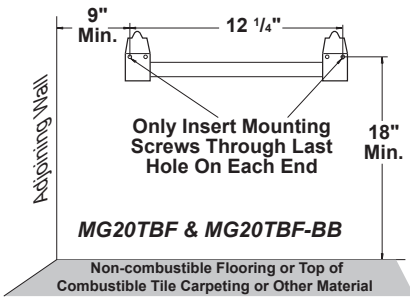
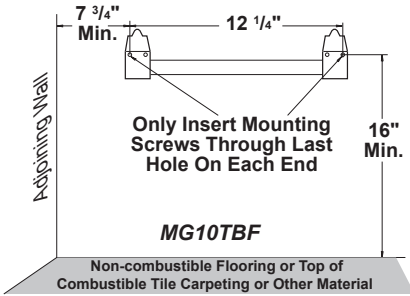


Figure 7 - Mounting Bracket Clearances

Attaching Mounting Bracket To Wall

Note: Wall anchors, mounting screws, and spacers are in hardware package. The hardware package is provided with heater.

Attaching to Wall Stud Method

For attaching mounting bracket to wall studs:

1. Drill holes at marked locations using 9/64" drill bit.
2. Place mounting bracket onto wall. Line up last hole on each end of bracket with holes drilled in wall.
3. Insert mounting screws through bracket and into wall studs.
4. Tighten screws until mounting bracket is firmly fastened to wall studs.

Attaching to Wall Anchor Method

For attaching mounting bracket to hollow walls (wall areas between studs) or solid walls (concrete or masonry):

1. Drill holes at marked locations using 5/16" drill bit. For solid walls (concrete or masonry), drill at least 1" deep.
2. Fold wall anchor as shown in Figure 8.
3. Insert wall anchor (wings first) into hole. Tap anchor flush to wall.
4. For thin walls (1/2" or less), insert red key into wall anchor. Push red key to "pop" open anchor wings (see Figure 9).

IMPORTANT: Do not hammer anchor key! For thick walls (over 1/2" thick) or solid walls, do not pop open wings.

5. Place mounting bracket onto wall. Line up last hole on each end of bracket with wall anchors.
6. Insert mounting screws through bracket and into wall anchors.
7. Tighten screws until mounting bracket is firmly fastened to wall.

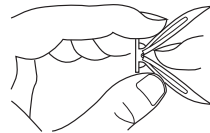


Figure 8 - Folding Anchor

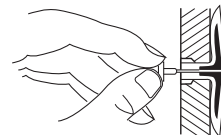


Figure 9 - Popping Open Anchor Wings For Thin Walls

INSTALLATION

Placing Heater On Mounting Bracket

1. Locate two horizontal slots on back panel of heater (see Figure 10).
2. Place heater onto mounting bracket. Slide horizontal slots onto stand-out tabs on mounting bracket.

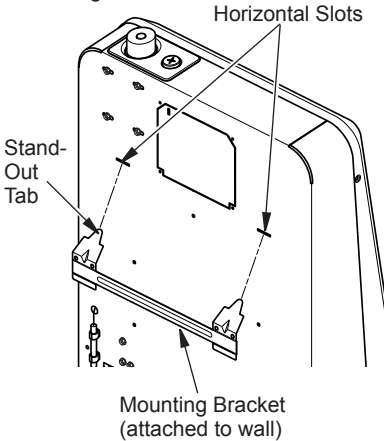


Figure 10 - Mounting Heater Onto Mounting Bracket

Installing Wall Spacers

1. Place heater on wall mounting bracket.
2. Mark screw locations on wall.
3. Remove heater from mounting bracket.
4. If installing bottom mounting screws into hollow or solid wall, install wall anchors. Follow steps 1 through 4 under [Attaching To Wall Anchor Method](#), page 11. If installing bottom mounting screw into wall stud, drill holes at marked locations using 9/64" drill bit.
5. Replace heater onto mounting bracket.
6. Place spacers between bottom mounting holes and wall anchor or drilled hole.
7. Hold spacer in place with one hand. With other hand, insert mounting screw through bottom mounting hole and spacer. Place tip of screw in opening of wall anchor or drilled hole.
8. Tighten both screws until heater is firmly secured to wall. Do not over tighten.

Note: Do not replace front panel at this time. Replace front panel after making gas connections and checking for leaks.

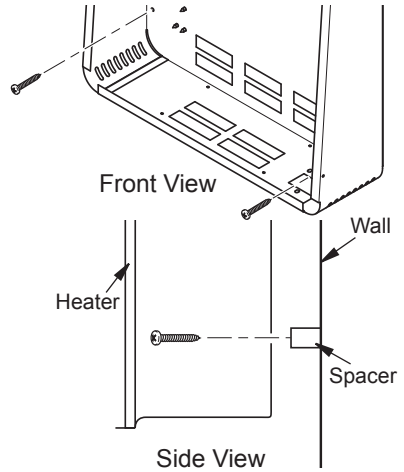


Figure 11 - Installing Bottom Mounting Screws

INSTALLING OPTIONAL BASE FEET

1. Align screw holes in base feet to the bottom of the heater. Attach using Phillips head screws (provided) (see Figure 12).
2. Position the heater to the desired location. Secure the base feet to the floor by using two Phillips head screws (provided) (see Figure 13).

See [Accessories](#), page 27 for models MG20TBF & MG30TBF

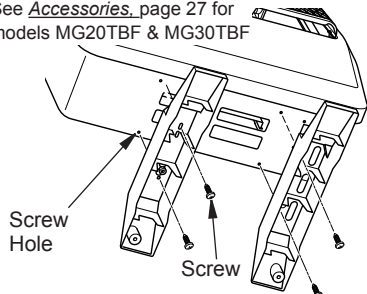


Figure 12 - Attaching Base Feet to Heater

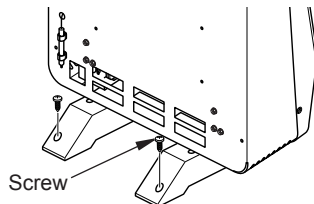


Figure 13 - Securing Heater to Floor

INSTALLATION

GAS SELECTION

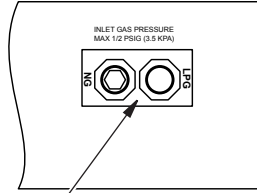
This appliance is factory preset for propane/LP gas. No changes are required for connecting to propane/LP. Only a qualified installer or service technician can perform gas selection and connecting to gas supply.

⚠ CAUTION: Two gas line installations at the same time are prohibited.

⚠ CAUTION: To avoid gas leakage for the gas not being used at the inlet of regulator, a qualified installer or service technician must use supplied cap.

You will notice a color coded plunger on the inside of the regulator. This is normal. When the inlet connection fitting is inserted and tightened, this plunger will be pushed back by the fitting making all of the adjustments for the gas being supplied. **DO NOT REMOVE THE PLUNGER.** The regulator will not work.

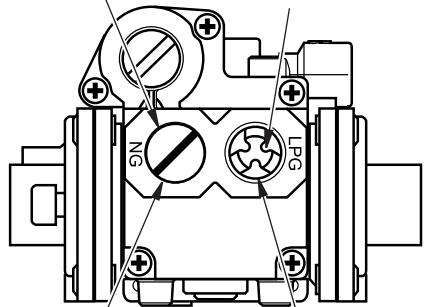
The inlet regulator is color coded for identification of the correct gas type. Blue is for propane (LP gas) and yellow is for natural gas.



Gas Connection

Figure 14 - Bottom of Heater

Yellow Natural Gas Plunger Underneath Metal Cap Blue Propane/LP Gas Plunger Underneath Dust Cover



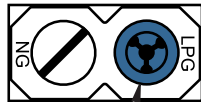
Insert Gas Fitting for Natural Gas

Insert Gas Fitting for Propane/LP Gas

Figure 15 - Gas Regulator

FOR PROPANE/LP GAS INSTALLATION: BLUE

1. Remove blue dust cover.



Blue Dust Cover



DO NOT REMOVE
Blue Propane/LP
Plunger
Install Gas Fitting Here

INSTALLATION

- Apply thread sealant to the threads on a 3/8" NPT brass connection fitting. While pushing in, rotate the fitting clockwise until the threads engage the regulator. After the fitting has been hand tightened into the regulator use a wrench to complete tightening of the fitting. Install additional fitting to connect to the house supply.

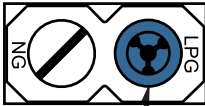


Fitting supplied by installer, may vary.



FOR NATURAL GAS (NG) INSTALLATION: YELLOW

- Remove the blue dust cover from the regulator.



Blue Dust Cover

- Remove the metal cap installed over the NG regulator inlet.



Metal Cap

- Install metal cap over LP/Propane regulator inlet. This will keep debris out of regulator.



DO NOT REMOVE
Yellow Natural Gas Plunger
Install Gas Fitting Here

Metal Cap

Use only the cap supplied on the regulator. Do not use an off the shelf pipe cap. This can damage the plunger. The supplied regulator cap is designed so it will not engage the unused gas type.

- Apply thread sealant to the threads on the connection fitting. While pushing in, rotate the fitting clockwise until the threads engage the regulator. After the fitting has been hand tightened into the regulator use a wrench to complete tightening of the fitting. Install additional fitting to connect to the house supply.



DO NOT use an off the shelf 3/8" NPT pipe cap. This will damage the plungers located inside the regulator.

DO NOT try to remove the plungers from inside the regulator. The plunger will be pushed back as the fitting is installed.

Make sure the type of gas being used is correct. Check to make sure the connection fitting is in the correct inlet on the regulator. Refer to Connecting to Gas Supply, page 15.

If you are using natural gas and the pilot will not light, see Troubleshooting, page 23.

INSTALLATION

CONNECTING TO GAS SUPPLY

⚠ WARNING: A qualified service technician must connect heater to gas supply. Follow all local codes.

⚠ WARNING: This appliance requires a 3/8" NPT (National Pipe Thread) inlet connection to the pressure regulator.

⚠ WARNING: For natural gas, Never connect heater to private (non-utility) gas wells. This gas is commonly known as wellhead gas.

⚠ WARNING: Do not over-tighten gas connections.

⚠ CAUTION: Use only new, black iron or steel pipe. Internally tinned copper tubing may be used in certain areas. Check your local codes. Use pipe of 1/2" diameter or greater to allow proper gas volume to heater. If pipe is too small, undue loss of pressure will occur.

⚠ CAUTION: For natural gas, check your gas line pressure before connecting heater to gas line. Gas line pressure must be no greater than 9.5" of water. If gas line pressure is higher, heater regulator damage could occur.

⚠ CAUTION: For propane/LP gas, Never connect heater directly to the gas supply. This heater requires an external regulator (not supplied). Install the external regulator between the heater and gas supply. Gas supplier provides external regulator for natural gas. The installer provides the external regulator for propane/LP gas.

⚠ CAUTION: Avoid damage to regulator. Hold gas regulator with wrench when connecting into gas piping and/or fittings.

⚠ CAUTION: Use pipe joint sealant that is resistant to gas (Propane/LP or Natural Gas).

Before installing heater, make sure you have the items listed below:

- piping (check local codes)
- sealant (resistant to natural gas and propane/LP gas)
- equipment shutoff valve*
- test gauge connection*
- sediment trap
- tee joint
- pipe wrench
- flexible gas hose (check local codes)
- 3/8" NPT brass fitting

* A CSA design-certified equipment shutoff valve with 1/8" NPT tap is an acceptable alternative to test gauge connection. Purchase the optional CSA design certified equipment shutoff valve from your dealer.

Typical Inlet Pipe Diameters

Use 3/8" black iron pipe or greater. Installation must include an equipment shutoff valve, union, and plugged 1/8" NPT tap. Locate NPT tap within reach for test gauge hook up. NPT tap must be upstream from heater (see Figure 16, page 16).

IMPORTANT: Install an equipment shutoff valve in an accessible location. The equipment shutoff valve is for turning on or shutting off the gas to the appliance.

INSTALLATION

Apply pipe joint sealant lightly to male threads. This will prevent excess sealant from going into pipe. Excess sealant in pipe could result in clogged heater valves.

The installer must supply an external regulator. The external regulator will reduce incoming gas pressure. You must reduce incoming gas pressure to between 11" and 14" of water. If you do not reduce incoming gas pressure, heater regulator damage could occur. Install external regulator with the vent pointing down

as shown in Figure 17. Pointing the vent down protects it from freezing rain or sleet.

Install sediment trap in supply line as shown in Figure 16. Place sediment trap where it is within reach for cleaning. Place sediment trap where trapped matter is not likely to freeze. A sediment trap traps moisture and contaminants. This keeps them from going into heater controls. If sediment trap is not installed or is installed wrong, heater may not run properly.

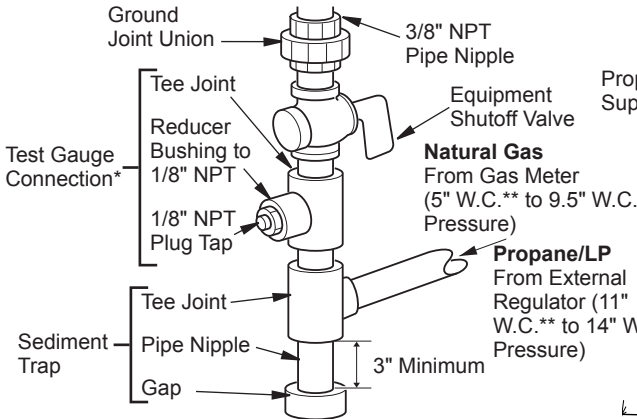


Figure 16 - Gas Connection

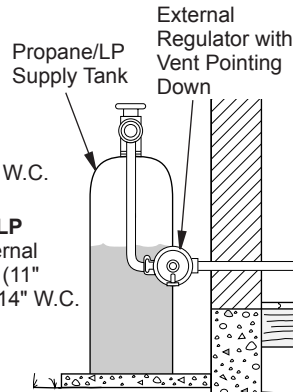


Figure 17 - External Regulator with Vent Pointing Down

* Purchase the optional CSA design-certified equipment shutoff valve from your dealer.

CHECKING GAS CONNECTIONS

⚠ WARNING: Test all gas piping and connections for leaks after installing or servicing. Correct all leaks at once.

⚠ WARNING: Never use an open flame to check for a leak. Apply a mixture of liquid soap and water to all joints. If bubbles form, there is a leak. Correct all leaks at once.

PRESSURE TESTING GAS SUPPLY PIPING SYSTEM Test Pressures In Excess Of 1/2 PSIG (3.5 kPa)

1. Disconnect heater with its appliance main gas valve (control valve) and equipment shutoff valve from gas supply piping system. Pressures in excess of 1/2 PSIG will damage heater regulator.
2. Cap off open end of gas pipe where equipment shutoff valve was connected.
3. Pressurize supply piping system by either using compressed air or opening gas supply valve.
4. Check all joints of gas supply piping system. Apply mixture of liquid soap and water to gas joints. If bubbles form, there may be a leak.
5. Correct all leaks at once.
6. Reconnect heater and equipment shutoff valve to gas supply. Check reconnected fittings for leaks.

INSTALLATION

Test Pressures Equal To or Less Than 1/2 PSIG (3.5 kPa)

1. Close equipment shutoff valve (see Figure 18).
2. Pressurize supply piping system by either using compressed air or opening gas supply valve.
3. Check all joints from gas supply (see Figure 19 or 20) to equipment shutoff valve. Apply a noncorrosive leak detection fluid to all joints. Bubbles forming show a leak.
4. Correct all leaks at once.

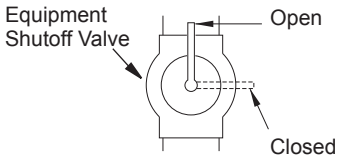


Figure 18 - Equipment Shutoff Valve

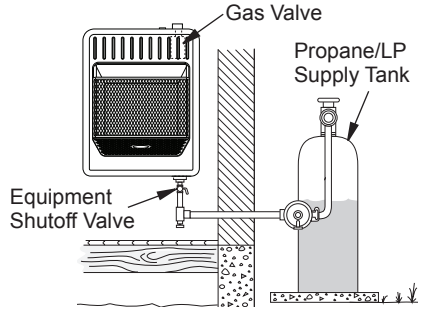


Figure 19 - Checking Gas Joints for Propane/LP Gas

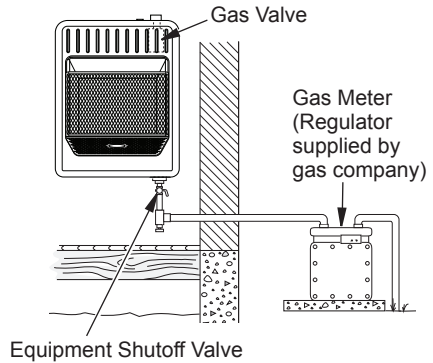


Figure 20 - Checking Gas Joints for Natural Gas

PRESSURE TESTING HEATER GAS CONNECTIONS

1. Open equipment shutoff valve (see Figure 18).
2. Open gas supply tank valve.
3. Make sure control knob of heater is in the OFF position.
4. Check all joints from equipment shutoff valve to control valve (see Figure 19 or 20). Apply a noncorrosive leak detection fluid to all joints. Bubbles forming show a leak.
5. Correct all leaks at once.
6. Light heater (see [Lighting Instructions](#) on page 18). Check all other internal joints for leaks.
7. Turn off heater (see [To Turn Off Gas Appliance](#), page 19).
8. Replace front panel.

OPERATION

FOR YOUR SAFETY READ BEFORE LIGHTING

⚠ WARNING: If you do not follow these instructions exactly, a fire or explosion may result causing property damage, personal injury or loss of life.

- A. This appliance has a pilot which must be lighted by hand. When lighting the pilot, follow these instructions exactly.
- B. **BEFORE LIGHTING** smell all around the appliance area for gas. Be sure to smell next to the floor because some gas is heavier than air and will settle on the floor.

WHAT TO DO IF YOU SMELL GAS

- Do not try to light any appliance.
- Do not touch any electric switch; do not use any phone in your building.

- Immediately call your gas supplier from a neighbor's phone. Follow the gas supplier's instructions.
 - If you cannot reach your gas supplier, call the fire department.
- C. Use only your hand to push in or turn the gas control knob. Never use tools. If the knob will not push in or turn by hand, don't try to repair it, call a qualified service technician. Force or attempted repair may result in a fire or explosion.
- D. Do not use this appliance if any part has been under water. Immediately call a qualified service technician to inspect the appliance and to replace any part of the control system and any gas control which has been under water.

LIGHTING INSTRUCTIONS

1. STOP! Read the safety information above.
2. Make sure equipment shutoff valve is fully open.
3. Turn control knob clockwise ↻ to the OFF position.
4. Wait five (5) minutes to clear out any air. Then smell for gas, including near the floor. If you smell gas, STOP! Follow "B" in the safety information above. If you do not smell gas, go to the next step.
5. Turn control knob counterclockwise ↺ to the PILOT position. Press in control knob for five (5) seconds (see Figure 21).
Note: The first time that the heater is operated after connecting the gas supply, the control knob should be pressed for about thirty (30) seconds. This will allow air to bleed from the gas system. If pilot does not stay lit, refer to [Troubleshooting](#), pages 23 through 26. Also contact a qualified service technician or gas supplier for repairs. Until repairs are made, light pilot with match.

Note: The first time that the heater is operated after connecting the gas supply, the control knob should be pressed for about thirty (30) seconds. This will allow air to bleed from the gas system. If pilot does not stay lit, refer to [Troubleshooting](#), pages 23 through 26. Also contact a qualified service technician or gas supplier for repairs. Until repairs are made, light pilot with match.

- If control knob does not pop up when released, contact a qualified service technician or gas supplier for repairs.

6. With control knob pressed in, push down and release ignitor button. This will light pilot. The pilot is attached to the front of burner. The pilot can be seen through the grill. If needed, keep pressing ignitor button until pilot lights.
Note: If pilot does not stay lit, refer to [Troubleshooting](#), pages 23 through 26. Also contact a qualified service technician or gas supplier for repairs. Until repairs are made, light pilot with match. To light pilot with match, see [Manual Lighting Procedure](#), page 19.

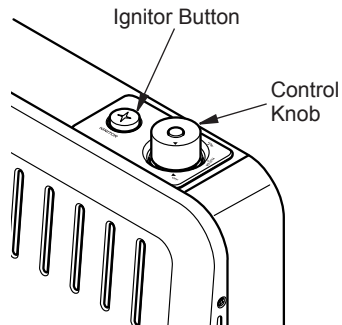


Figure 21 - Control Knob in the OFF Position

OPERATION

- Keep control knob pressed in for 30 seconds after lighting pilot. After 30 seconds, release control knob. If control knob does not pop up when released, contact a qualified service technician or gas supplier for repairs.

Note: If pilot goes out, repeat steps 2 through 6. This heater has a safety interlock system. Wait one (1) minute before lighting pilot again.

- Turn control knob counterclockwise ↶ to desired heating level. The main burner should light. Set control knob to any heat level between HIGH and LOW.

⚠ CAUTION: Do not try to adjust heating levels by using the equipment shutoff valve.

⚠ WARNING: If input gas type is NG, make sure NG pilot burner ignites. If input gas type is LP, make sure LP pilot burner ignites.

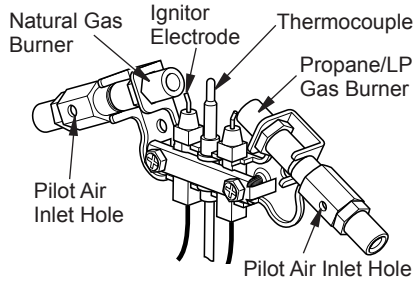


Figure 22 - Pilot

THERMOSTAT CONTROL OPERATION

The thermostatic control used on this model differs from standard thermostats. You set standard thermostats to a specific temperature such as 72 degrees. The thermostat used on this heater senses the room temperature. At times the room may exceed the set temperature. If so, the burner will shut

off. The burner will cycle back on when room temperature drops below the set temperature. The control knob can be set to any comfort level between HIGH and LOW.

Note: The thermostat sensing bulb reacts to the temperature depending on housing construction.

TO TURN OFF GAS TO APPLIANCE

Shutting Off Heater

Turn control knob clockwise ↷ to the OFF position.

Shutting Off Burner Only (pilot stays lit)

Turn control knob clockwise ↷ to the PILOT position.

MANUAL LIGHTING PROCEDURE

- Remove front panel.
- Follow steps 2 through 5 under [Lighting Instructions](#), page 18.
- With control knob pressed in, strike match. Hold match to pilot until pilot lights.
- Keep control knob pressed in for 30 seconds after lighting pilot. After 30 seconds, release control knob. Follow step 8 under [Lighting Instructions](#), page 18.
- Replace front panel.

ELECTRICAL CONNECTION

FOR OPTIONAL BLOWER KIT

⚠ Do not use this heater if any part of it has been under water. Immediately call a qualified service technician to inspect the heater and replace any part of the electrical system which has been under water.

GROUNDING INSTRUCTIONS

This heater is for use on 120 volts. The cord has a plug as shown at A in Figure 23. An adapter as shown at C is available for connecting three-blade grounding-type plugs to two-slot receptacles. The green grounding lug extending from the adapter must be connected to a permanent ground such as a properly grounded outlet box. The adapter should not be used if a three-slot grounded receptacle is available.

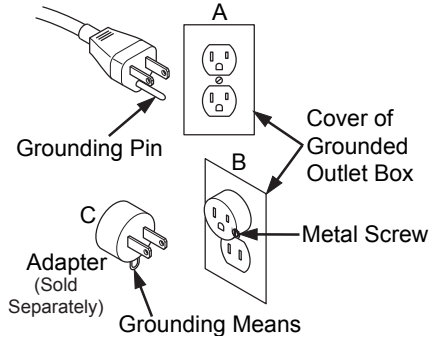


Figure 23 - Grounded Electrical Outlet

FAN OPERATION

To operate the manual unit, turn ON/OFF switch to the ON position. To operate the Automatic unit, turn AUTO/O/MAN switch to the desired position. MAN position will remain constantly on. AUTO position will be controlled by the sensor on the fan blower unit. The sensor will be activated when the temperature of the sensor head reaches the set point of the switch after the heater is started. To stop the operation, turn the switch to the O position.

ELECTRICAL WIRING

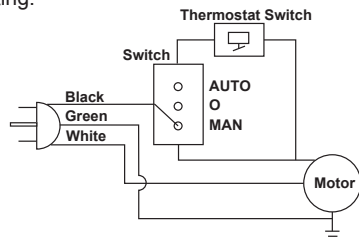
Any electrical re-wiring of this appliance must be done by a qualified electrician. This wiring must be done in accordance with local codes and/or in Canada with the current *CSA C22.1 Canadian Electrical Code*, and for US installations, the *National Electrical Code ANSI/NFPA NO 70*.

⚠ WARNING: If repairing or replacing any electrical component or wiring, the original wire routing, color coding and securing locations must be followed.

⚠ CAUTION: Label all wires prior to disconnection when servicing controls. Wiring errors can cause improper and dangerous operation.

⚠ WARNING: Never attempt to service heater while it is plugged in, operating, or hot. Burns and electrical shock could result. Only a qualified service person should service or repair heater.

Verify proper operation after servicing. If any of the original wire as supplied with the appliance must be replaced, it must be replaced with a wire of at least a 105° C temperature rating.



INSPECTING BURNERS

IMPORTANT: Owner's should check pilot flame pattern and burner flame pattern often. Incorrect flame patterns indicate the need for cleaning (see Care and Maintenance, page 22) or service.

⚠ WARNING: Only a qualified service person should service and repair heater. This includes maintenance requiring replacement or alteration of components.

PILOT FLAME PATTERN

Figure 24 shows a correct pilot flame pattern. Figure 25 shows an incorrect pilot flame pattern. The incorrect pilot flame is not touching the thermocouple. This will cause the thermocouple to cool, which shuts the heater off. If pilot flame pattern is incorrect, as shown in Figure 25

- turn heater off (see To Turn Off Gas to Appliance, page 19)
- see Troubleshooting pages 23 through 26.

⚠ WARNING: If yellow tipping occurs, your heater could produce increased levels of carbon monoxide. If the burner flame pattern shows yellow tipping, follow instructions below.

Notice: Do not mistake orange flames with yellow tipping. Dirt or other fine particles enter the heater and burn causing brief patches of orange flame.

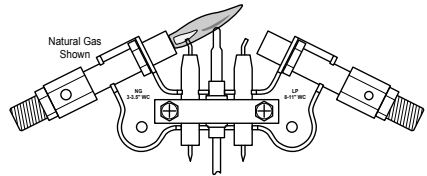


Figure 24 - Correct Pilot Flame Pattern

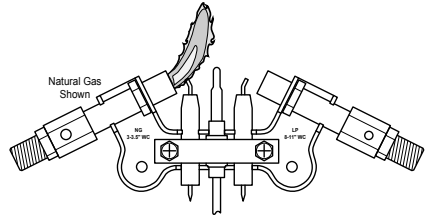


Figure 25 - Incorrect Pilot Flame Pattern

BURNER FLAME PATTERN

Figure 26 shows a correct burner flame pattern. Figure 27 shows an incorrect burner flame pattern. The incorrect burner flame pattern shows yellow tipping of the flame. It also shows the flame higher than 1/2 the heat shield height.

If burner flame pattern is incorrect as shown in Figure 27:

- turn heater off (see To Turn Off Gas to Appliance, page 19)
- see Troubleshooting pages 23 through 26.

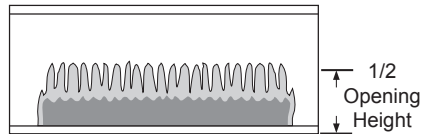


Figure 26 - Correct Burner Flame Pattern

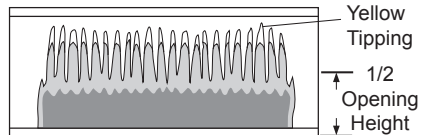


Figure 27 - Incorrect Burner Flame Pattern

CARE AND MAINTENANCE

⚠ WARNING: Turn off heater and let cool before servicing.

⚠ CAUTION: You must keep control areas, burner, and circulating air passageways of heater clean. Inspect these areas of heater before each use. Have heater inspected yearly by a qualified service technician. Heater may need more frequent cleaning due to excessive lint from carpeting, bedding material, pet hair, etc.

⚠ WARNING: Failure to keep the primary air opening(s) of the burner(s) clean may result in sooting and property damage.

MAIN BURNER

Periodically inspect all burner flame holes with the heater running. All slotted burner flame holes should be open with yellow flame present. All round burner flame holes should be open with a small blue flame present. Some

burner flame holes may become blocked by debris or rust, with no flame present. If so, turn off the heater and let it cool, and remove blockage or replace burner. Blocked burner flame holes will create soot.

BURNER INJECTOR HOLDER AND PILOT AIR INLET HOLE

We recommend that you clean the unit every 2,500 hours of operation or every three months. We also recommend that you keep the burner tube and pilot assembly clean and free of dust and dirt. To clean these parts we recommend using compressed air no greater than 30 PSI. Your local computer store, hardware store, or home center may carry compressed air in a can. You can use a vacuum cleaner in the blow position. If using compressed air in a can, please follow the directions on the can. If you don't follow

directions on the can, you could damage the pilot assembly.

1. Shut off the unit, including the pilot. Allow the unit to cool for at least thirty minutes.
2. Remove four screws securing front panel.
3. Pull front panel forward.
4. Inspect burner and pilot for dust and dirt.
5. Blow air through the ports/slots and holes in the burner.
6. Replace front panel using screws removed in step 2.

ODS/PILOT

Use a vacuum cleaner, pressurized air, or a small, soft bristled brush to clean.

A yellow tip on the pilot flame indicates dust and dirt in the pilot assembly. There is a small pilot air inlet hole about 2" from where the pilot flame comes out of the pilot assembly (see Figure 28). With the unit off, lightly blow air through the air inlet hole. You may blow through a drinking straw if compressed air is not available.

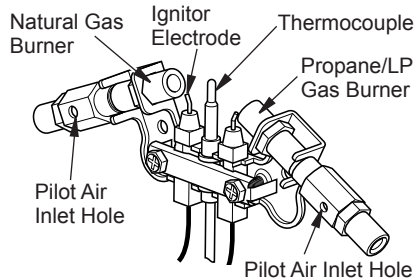


Figure 28 - Pilot Inlet Air Hole

CABINET

Air Passageways

Use a vacuum cleaner or pressurized air to clean.

Exterior

- Use a soft cloth dampened with a mild soap and water mixture.
- Wipe the cabinet to remove dust.

CARE AND MAINTENANCE

MAINTENANCE OF BLOWER MOTOR (IF EQUIPPED)

Always disconnect the appliance from the main power supply and allow it to cool before any servicing operation.

The motors used on the fan heater and flame blower are pre-lubricated for extended bearing life and require no further lubrication. However, periodic cleaning/vacuuming of the appliance around the air intake and exhaust, as well as the fan heater is recommended. For

heavy or continuous use, periodic cleaning must be done more frequently. If the heater blows alternating cold and warm air, check the fan for free movement and for debris restricting air flow. If the fan does not move freely, the unit must be turned off and the fan replaced immediately in order to prevent further damage to the unit.

TROUBLESHOOTING

⚠ WARNING: If you smell gas:

- **Shut off gas supply.**
- **Do not try to light any appliance.**
- **Do not touch any electrical switch; do not use any phone in your building.**
- **Immediately call your gas supplier from a neighbor's phone. Follow the gas supplier's instructions.**
- **If you cannot reach your gas supplier, call the fire department.**

⚠ WARNING: Only a qualified service technician should service and repair heater. Make sure that power is turned off before proceeding. Turn off and let cool before servicing.

⚠ CAUTION: Never use a wire, needle, or similar object to clean ODS/pilot. This can damage ODS/ pilot unit.

IMPORTANT: Operating heater where impurities in air exist may create odors. Cleaning supplies, paint, paint remover, cigarette smoke, cements and glues, new carpet or textiles, etc., create fumes. These fumes may mix with combustion air and create odors.

Note: All troubleshooting items are listed in order of operation.

Problem	Possible Cause	Corrective Action
Using natural gas and pilot will not light.	Inlet pressure exceeds 9.5" WC.	Bypass pressure switch. See instructions below.

Pressure Switch

When using natural gas (NG), there is a pressure switch that acts to turn off the gas flow to the pilot if the inlet pressure exceeds 9.5" WC. This is to prevent the operation of the unit on the wrong gas (propane/LP). If your natural gas supply exceeds 9.5" WC the unit will not operate. Either contact your gas supplier to check and adjust the inlet pressure or a qualified service technician can bypass the pressure switch.

Before attempting to bypass the pressure switch, make sure the type of gas being used is correct. Check to make sure the connection fitting is in the correct inlet on the regulator. Refer to *Connecting to Gas Supply*, page 15. Only a qualified installer should bypass the pressure switch. To bypass the pressure switch locate the set screw on the regulator. Use a small flat bladed screw driver to turn the set screw counterclockwise 2 turns. This will bypass the pressure switch function.

TROUBLESHOOTING

The entire gas delivery piping including connections inside the heater should be leak tested by the qualified installer. After leak testing the qualified installer should light the appliance. Refer to the correct flame pattern as illustrated on page 21. All flame patterns should be safely inside the product. If for any reason they are not, stop use of the appliance and call for repairs.

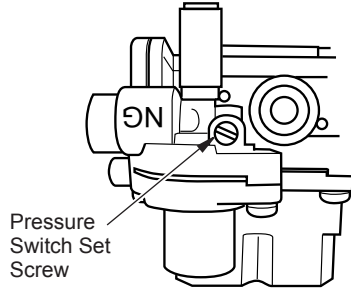


Figure 29 - Gas Regulator Pressure Switch

Problem	Possible Cause	Corrective Action
When ignitor button is pressed in, there is no spark at ODS/pilot.	<ol style="list-style-type: none"> 1. Ignitor electrode is positioned wrong. Ignitor electrode is broken. 2. Ignitor electrode is not connected to ignitor cable. 3. Ignitor cable is pinched or wet. 4. Broken ignitor cable. 5. Bad piezo ignitor. 	<ol style="list-style-type: none"> 1. Replace electrode. 2. Replace ignitor cable. 3. Free ignitor cable if pinched by any metal or tubing. Keep ignitor cable dry. 4. Replace ignitor cable. 5. Replace piezo ignitor.
When ignitor button is pressed in there is a spark at ODS/pilot but no ignition.	<ol style="list-style-type: none"> 1. Gas supply is turned off or equipment shutoff valve is closed. 2. Control knob not fully pressed in while pressing ignitor button. 3. Air in gas lines when installed. 4. ODS/pilot is clogged. 5. Incorrect inlet gas pressure or inlet regulator setting is damaged. 6. Control knob not in PILOT position. 7. Depleted gas supply (propane). 	<ol style="list-style-type: none"> 1. Turn on gas supply or open equipment shutoff valve. 2. Fully press in control knob while pressing ignitor button. 3. Continue holding down control knob. Repeat igniting operation until air is removed. 4. Clean ODS/pilot (see Care and Maintenance, page 22) or replace ODS/pilot assembly. 5. Check inlet gas pressure or replace inlet gas regulator. 6. Turn control knob to PILOT position. 7. Contact local propane/LP gas company.

TROUBLESHOOTING

Problem	Possible Cause	Corrective Action
ODS/pilot lights but flame goes out when control knob is released.	<ol style="list-style-type: none"> 1. Control knob is not fully pressed in. 2. Control knob is not pressed in long enough. 3. Equipment shutoff valve is not fully open. 4. Thermocouple connection is loose at control valve. 5. Pilot flame not touching thermocouple, which allows thermocouple to cool, causing pilot flame to go out. This problem could be caused by one or both of the following: A) Low gas pressure B) Dirty or partially clogged ODS/pilot 6. Thermocouple damaged. 7. Control valve damaged. 	<ol style="list-style-type: none"> 1. Press in control knob fully. 2. After ODS/pilot lights, keep control knob pressed in 30 seconds. 3. Fully open equipment shutoff valve. 4. Hand tighten until snug, and then tighten 1/4 turn more. 5. A) Contact local natural or propane/LP gas company B) Clean ODS/pilot (see <u>Care and Maintenance</u>, page 22) or replace ODS/pilot assembly 6. Replace thermocouple. 7. Replace control valve.
Burner(s) does not light after ODS/pilot is lit.	<ol style="list-style-type: none"> 1. Burner orifice is clogged. 2. Burner orifice diameter is too small. 3. Inlet gas pressure is too low. 	<ol style="list-style-type: none"> 1. Clean burner orifice (see <u>Care and Maintenance</u>, page 22) or replace burner orifice. 2. Replace burner orifice. 3. Contact local gas supplier.
Delayed ignition of burner(s).	<ol style="list-style-type: none"> 1. Manifold pressure is too low. 2. Burner orifice is clogged. 	<ol style="list-style-type: none"> 1. Contact local gas supplier. 2. Clean burner (see <u>Care and Maintenance</u>, page 22) or replace burner orifice.
Burner backfiring during combustion	<ol style="list-style-type: none"> 1. Burner orifice is clogged or damaged. 2. Burner is damaged. 3. Gas regulator is damaged. 	<ol style="list-style-type: none"> 1. Clean burner orifice (see <u>Care and Maintenance</u>, page 22) or replace burner orifice. 2. Contact customer service. 3. Replace gas regulator.
High yellow flame during burner combustion	<ol style="list-style-type: none"> 1. Not enough air. 2. Gas regulator is defective. 3. Inlet gas pressure is too low. 	<ol style="list-style-type: none"> 1. Check burner for dirt and debris. If found, clean burner (see <u>Care and Maintenance</u>, page 22). 2. Replace gas regulator. 3. Contact local gas supplier.
Gas odor during combustion.	<ol style="list-style-type: none"> 1. Foreign matter between control valve and burner. 2. Gas leak. (See Warning Statement at top of page 23). 	<ol style="list-style-type: none"> 1. Take apart gas tubing and remove foreign matter. 2. Locate and correct all leaks (see <u>Checking Gas Connections</u>, page 16).
Slight smoke or odor during initial operation.	<ol style="list-style-type: none"> 1. Residues from manufacturing process. 	<ol style="list-style-type: none"> 1. Problem will stop after a few hours of operation.

TROUBLESHOOTING

Problem	Possible Cause	Corrective Action
Heater produces a whistling noise when burner is lit.	<ol style="list-style-type: none"> 1. Turning control knob to high (5) position when burner is cold. 2. Air in gas line. 3. Air passageways on heater are blocked. 4. Dirty or partially clogged burner orifice. 	<ol style="list-style-type: none"> 1. Turn control knob to low (1) position and let warm up for a minute. 2. Operate burner until air is removed from line. Have gas line checked by local gas supplier. 3. Observe minimum installation clearances (Figure 4, page 9). 4. Clean burner (see <i>Care and Maintenance</i>, page 22) or replace burner orifice.
Heater produces a clicking/ticking noise just after burner is lit or shut off.	<ol style="list-style-type: none"> 1. Metal is expanding while heating or contracting while cooling. 	<ol style="list-style-type: none"> 1. This is common with most heaters. If noise is excessive, contact qualified service technician.
White powder residue forming within burner box or on adjacent walls or furniture.	<ol style="list-style-type: none"> 1. When heated, the vapors from furniture polish, wax, carpet cleaners, etc., turn into white powder residue. 	<ol style="list-style-type: none"> 1. Turn heater off when using furniture polish, wax, carpet cleaner or similar products.
Heater produces unwanted odors.	<ol style="list-style-type: none"> 1. Heater is burning vapors from paint, hair spray, glues, etc. See IMPORTANT statement, page 23. 2. Gas leak. See Warning Statement at the top of page 23. 3. Low fuel supply (propane/LP gas only). 	<ol style="list-style-type: none"> 1. Ventilate room. Stop using odor causing products while heater is running. 2. Locate and correct all leaks (see <i>Checking Gas Connections</i>, page 16). 3. Refill supply tank (Propane/LP models).
Heater shuts off in use (ODS operates).	<ol style="list-style-type: none"> 1. Not enough fresh air is available. 2. Low line pressure. 3. ODS/pilot is partially clogged. 	<ol style="list-style-type: none"> 1. Open window and/or door for ventilation. 2. Contact local gas supplier. 3. Clean ODS/pilot (see <i>Care and Maintenance</i>, page 22).
Gas odor exists even when control knob is in OFF position.	<ol style="list-style-type: none"> 1. Gas leak. See Warning Statement at top of page 23. 2. Control valve is defective. 	<ol style="list-style-type: none"> 1. Locate and correct all leaks (see <i>Checking Gas Connections</i>, page 16). 2. Replace control valve.
Moisture/condensation noticed on windows.	<ol style="list-style-type: none"> 1. Not enough combustion/ventilation air. 	<ol style="list-style-type: none"> 1. Refer to <i>Air for Combustion and Ventilation</i> requirements, page 7.

TECHNICAL SERVICE

You may have further questions about installation, operation, or troubleshooting. If so, contact ProCom Heating, Inc. at 1-866-573-0674.

When calling, please have your model and serial numbers of your heater ready.

REPLACEMENT PARTS

Note: Use only original replacement parts. This will protect your warranty coverage for parts replaced under warranty.

PARTS UNDER WARRANTY

Contact authorized dealers of this product. If they can't supply original replacement parts, call Customer Service toll free at 1-866-573-0674 for referral information.

When calling Customer Service or your dealer, have ready:

- Your name
- Your address

- Model and serial number of your heater
- How heater was malfunctioning
- Type of gas used (Propane/LP or Natural gas/NG)
- Purchase date

Usually, we will ask you to return the defective part to the factory

PARTS NOT UNDER WARRANTY

Contact authorized dealers of this product. If they can't supply original replacement part(s) call Customer Service toll free at 1-866-573-0674 for referral information.

When calling Customer Service have ready:

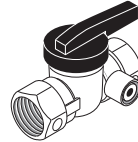
- Model number of your heater
- The replacement part number

ACCESSORIES

Purchase these heater accessories from your local dealer. If they can not supply these accessories, contact ProCom Heating, Inc. at 1-866-573-0674 for information.

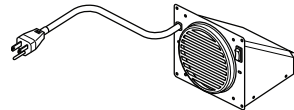
EQUIPMENT SHUTOFF VALVE

For all models. Equipment shutoff valve with 1/8" NPT tap.



OPTIONAL FAN KIT - MGB100

Fan kit is optional for models MG20TBF and MG30TBF. Comes installed for models MG20TBF-BB and MG30TBF-BB. The fan has 3 settings AUTO/OFF/MAN. Please refer to MGB100 instructions.



FLOOR MOUNTING STAND

For locating heater on the floor, away from a wall. Complete installation instructions provided with floor mounting stand.



SERVICE HINTS

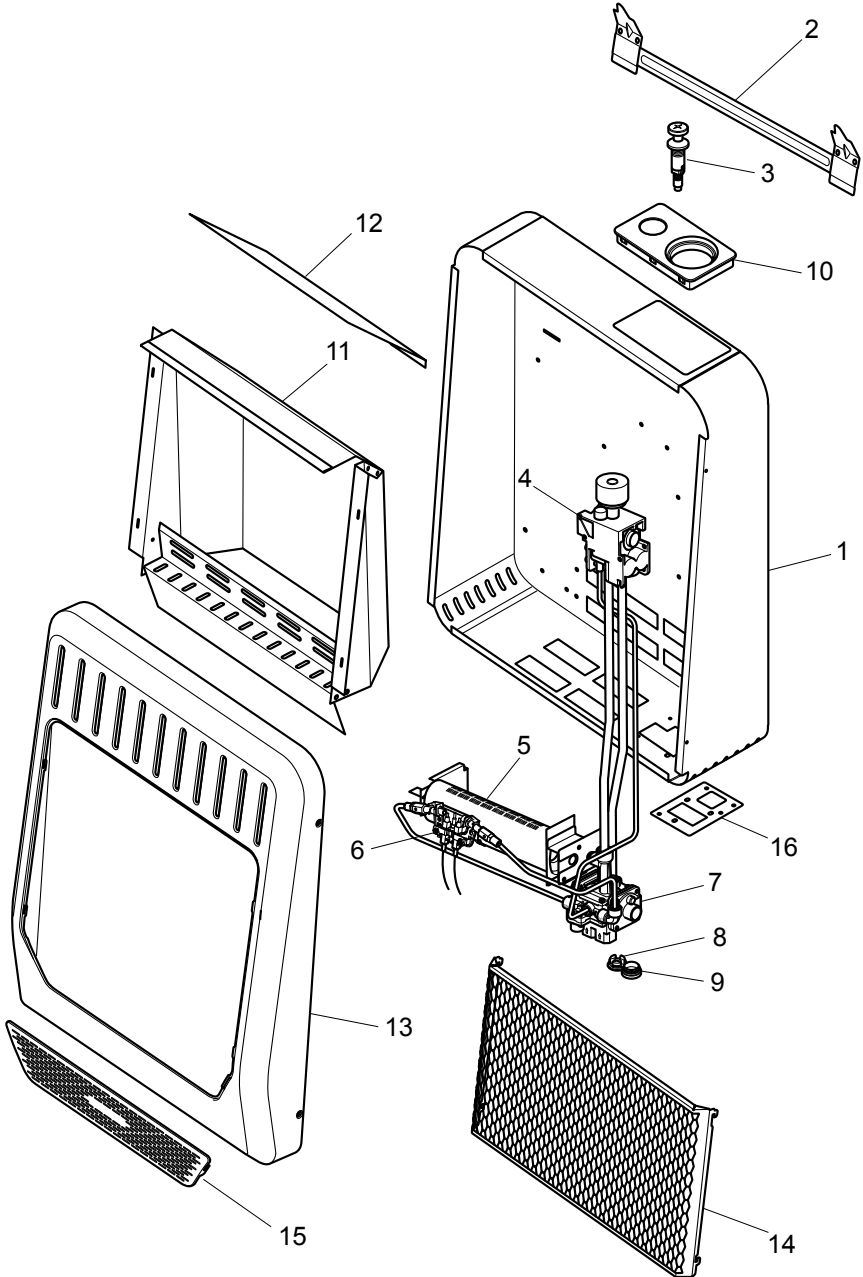
When Gas Pressure Is Too Low

- pilot will not stay lit
- burners will have delayed ignition
- heater will not produce specified heat
- propane/LP gas supply might be low (propane/LP units only)

You may feel your gas pressure is too low. If so, contact your local gas supplier.

PARTS

MODEL MG10TBF



PARTS

MODEL MG10TBF

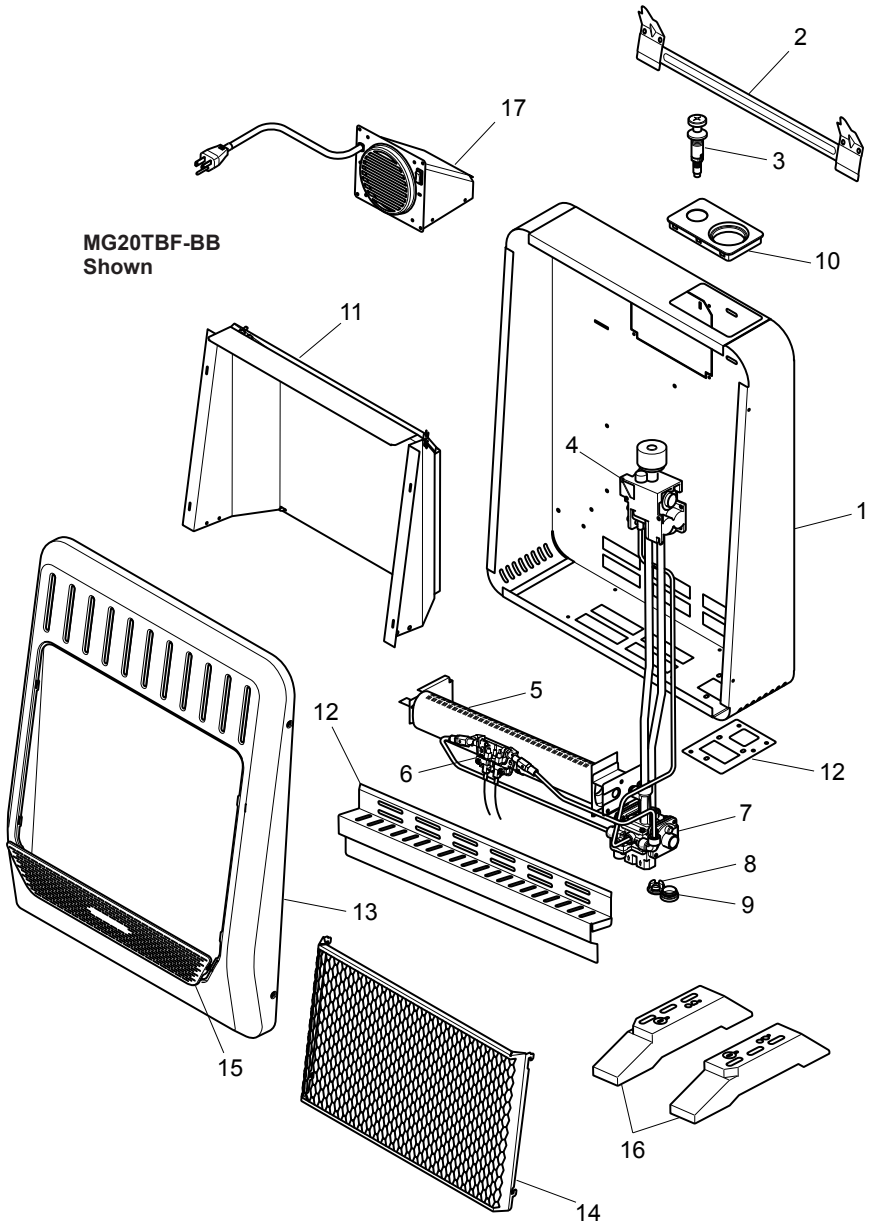
This list contains replaceable parts for your heater. When ordering replacement parts, follow the instructions listed under Replacement Parts on page 27 of this manual.

ITEM	MG10TBF	DESCRIPTION	QTY
1	**	Back Body Panel	1
2	161132-01	Mounting Bracket	1
3	161133-01	Piezo Ignitor	1
4	161130-01	Thermostat Valve Assembly	1
5	**	Burner Assembly	1
6	161139-02	ODS Pilot	1
7	**	Safety Dual Fuel Regulator	1
8	161200-01	Inlet Cover Plug	1
9	160960-01	Cap with Seal	1
10	**	Bezel, Thermostat Control	1
11	**	Reflector Assembly	1
12	**	Top Reflector	1
13	**	Front Panel Assembly	1
14	160528-01HT	Screen	1
15	160598-01HT	Lower Mesh Grill	1
16	**	Cabinet Bracket	1
PART AVAILABLE - NOT SHOWN			
	161607-01	Hardware Package	1
	161605-01	Thermostat Bulb Clip	2

** Not a field replaceable part.

PARTS

MODELS MG20TF AND MG30TF MG20TF-BB AND MG30TF-BB



PARTS

MODELS MG20TBF AND MG30TBF MG20TBF-BB AND MG30TBF-BB

This list contains replaceable parts for your heater. When ordering replacement parts, follow the instructions listed under Replacement Parts on page 27 of this manual.

ITEM	MG20TBF	MG30TBF	MG20TBF-BB	MG30TBF-BB	DESCRIPTION	QTY
1	**	**	**	**	Back Body Panel	1
2	161132-01	161562-01	161132-01	161562-01	Mounting Bracket	1
3	161133-01	161133-01	161133-01	161133-01	Piezo Ignitor	1
4	161130-01	161130-01	161130-01	161130-01	Thermostat Valve Assy	1
5	**	**	**	**	Burner Assembly	1
6	161139-01	161139-01	161139-01	161139-01	ODS Pilot	1
7	**	**	**	**	Dual Fuel Regulator	1
8	161200-01	161200-01	161200-01	161200-01	Inlet Cover Plug	1
9	160960-01	160960-01	160960-01	160960-01	Cap with Seal	1
10	**	**	**	**	Bezel, T-stat Control	1
11	**	**	**	**	Reflector Assembly	1
12	**	**	**	**	Cabinet Bracket	1
13	**	**	**	**	Front Panel Assembly	1
14	161142-01	161565-01	161142-01	161565-01	Screen	1
15	161596-01HT	161222-01HT	161596-01HT	161222-01HT	Lower Mesh Grill	1
16	*	*	PF09B	PF09B	Base Feet	1
17	*	*	MGB100	MGB100	Blower Assembly	1
PART AVAILABLE - NOT SHOWN						
	161607-01	161607-01	161607-01	161607-01	Hardware Package	1
	161605-01	161605-01	161605-01	161605-01	Thermostat Bulb Clip	2

* Part is an optional accessory for this model.

** Not a field replaceable part.

WARRANTY

KEEP THIS WARRANTY

Model _____

Serial No. _____

Date Purchased _____

Keep receipt for warranty verification.

REGISTER YOUR PRODUCT AT WWW.USAPROCOM.COM

IMPORTANT: We urge you to register your product within 10 days of date of installation, complete with entire serial number which can be found on the rating plate. Please fill out the warranty information above for your personal records. Retain this manual for future reference.

Always specify model and serial numbers when communicating with customer service.

We reserve the right to amend these specifications at any time without notice. The only warranty applicable is our standard written warranty. We make no other warranty, expressed or implied.

LIMITED WARRANTY

ProCom Heating, Inc. warrants this product to be free from defects in materials and components for ONE (1) year from the date of first purchase, provided that the product has been properly installed by a qualified installer in accordance with all local codes and instructions furnished with the unit, operated and maintained in accordance with all applicable instructions. To make a claim under this warranty, the Bill of Sale or cancelled check must be presented.

RESPONSIBILITY OF OWNER

This warranty is extended only to the original retail purchaser. This warranty covers the cost of part(s) required to restore this heater to proper operating condition. Warranty part(s) MUST be obtained through ProCom Heating, Inc. who will provide original factory replacement parts. Failure to use original factory replacement parts voids this warranty.

IMPORTANT: The heater MUST be installed by a qualified installer in accordance with all local codes and instructions furnished with the unit or the warranty is voided.

WHAT IS NOT COVERED

This warranty does not apply to parts that are not in original condition because of normal wear and tear or parts that fail or become damaged as a result of misuse, accidents, lack of proper maintenance or defects caused by improper installation. Travel, diagnostic cost, labor, transportation and any and all such other costs related to repairing a defective heater will be the responsibility of the owner.

TO THE FULL EXTENT ALLOWED BY THE LAW OF THE JURISDICTION THAT GOVERNS THE SALE OF THE PRODUCT, THIS EXPRESS WARRANTY EXCLUDES ANY AND ALL OTHER EXPRESSED WARRANTIES AND LIMITS THE DURATION OF ANY AND ALL IMPLIED WARRANTIES. INCLUDING WARRANTIES OF MERCHANTABILITY AND FITNESS FOR A PARTICULAR PURPOSE TO ONE (1) YEAR ON ALL COMPONENTS FROM THE DATE OF FIRST PURCHASE. PROCOM HEATING, INC.'S LIABILITY IS HEREBY LIMITED TO THE PURCHASE PRICE OF THE PRODUCT AND PROCOM HEATING, INC. SHALL NOT BE LIABLE FOR ANY OTHER DAMAGES WHATSOEVER INCLUDING INDIRECT, INCIDENTAL OR CONSEQUENTIAL DAMAGES.

Some states do not allow a limitation on how long an implied warranty lasts or an exclusion or limitation of accidental or consequential damages, the above limitation on implied warranties, or exclusion or limitation on damages may not apply to you.

This warranty gives you specific legal right, and you may also have other rights that vary from state to state.



ProCom Heating, Inc.
Bowling Green, KY 42101
www.usaprocom.com
1-866-573-0674

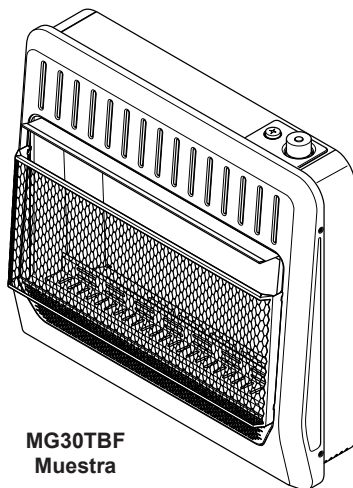
200300-01
Rev. B
11/16



**CALENTADOR DE GAS DE
PARED SIN VENTILAS**

**MANUAL DE FUNCIONAMIENTO
Y INSTALACIÓN DEL
PROPIETARIO**

**MODELOS LLAMA AZUL
MG10TBF, MG20TBF, MG30TBF
MG20TBF-BB, MG30TBF-BB**



**MG30TBF
Muestra**

⚠ ADVERTENCIA: si la información contenida en este manual no se sigue al pie de la letra, se puede producir un incendio o una explosión que podría ocasionar daños a la propiedad, lesiones personales o la pérdida de la vida.

- No guarde ni utilice gasolina u otros vapores y líquidos inflamables cerca de este aparato ni de cualquier otro.
- **QUÉ HACER SI PERCIBE OLOR A GAS**
 - No intente encender ningún aparato.
 - No toque ningún interruptor eléctrico; no use ningún teléfono en el edificio.
 - Llame inmediatamente a su proveedor de gas desde el teléfono de algún vecino. Siga las instrucciones del proveedor de gas.
 - Si no puede localizar al proveedor de gas, llame al departamento de bomberos.
- La instalación y el servicio deben ser realizados por un instalador capacitado, una agencia de servicio o el proveedor de gas.



¿Preguntas, problemas, piezas faltantes? Antes de volver a la tienda, llame a nuestro Departamento de Servicio al Cliente al 1-866-573-0674, de lunes a viernes de 7:30 a.m. a 4:15 p.m., Hora del Centro, o envíe un correo electrónico a customerservice@usaprocom.com.

TABLA DE CONTENIDOS

Seguridad	35	Funcionamiento	52
Especificaciones.....	37	Conexión Eléctrica.....	54
Agencia de Instalación Calificada.....	38	Cableado Eléctrico	55
Características del Producto	38	Inspección del calentador.....	56
Normas Locales.....	38	Cuidado y mantenimiento.....	57
Desempaque	38	Solución de problemas	59
Preparación para la instalación	39	Consejos para servicio	63
Vapor De Agua: Un Producto Derivado		Servicio técnico	63
de Los Calentadores de Habitación		Piezas de repuesto.....	68
Sin Ventilación	39	Accesorios.....	69
Aire para combustión y ventilación.....	40	Garantía.....	72
Instalación	42		

GUARDE ESTE MANUAL

**INSTALADOR: Deje este manual con el aparato.
CONSUMIDOR: Conserve este manual para
referencias futuras.**

Este es un calentador de llama de gas sin ventilación. Utiliza aire (oxígeno) de la habitación en la que se instala. Se deben tomar las medidas necesarias para asegurar que haya suficiente aire para ventilación y combustión. Consulte la sección Aire para combustión y ventilación, en la página 40 de este manual.

⚠ ADVERTENCIA: La instalación, ajuste, alteración, servicio o mantenimiento inadecuados pueden provocar lesiones o daños a la propiedad. Consulte este manual para conocer los procedimientos de instalación y operación correctos. Para obtener asistencia o información adicionales consulte a un instalador capacitado, agencia de servicio o al proveedor de gas.

Este aparato puede ser instalado en una casa móvil con ubicación permanente y adquirida en el mercado de posventa*, siempre que no esté prohibido por los códigos locales.

Este dispositivo es sólo para su uso con propano o gas natural. No se permite la conversión de campo por cualquier otro medio, incluido el uso de un kit.

* Mercado de posventa: venta completada por parte del fabricante, sin fines de reventa

SEGURIDAD

IMPORTANTE: Lea este manual del propietario cuidadosa y completamente antes de intentar ensamblar, operar o dar servicio a este calentador. El uso inadecuado de este calentador puede causar daños a la propiedad, lesiones graves o la muerte por quemaduras, incendio, explosión, electrocución e intoxicación con monóxido de carbono. No seguir estas instrucciones anula la garantía.

La instalación y reparación de este producto deben estar a cargo sólo de personal calificado para la instalación, una empresa de servicio o el proveedor de gas local.

⚠ ADVERTENCIA: Mantenga el área limpia y libre de materiales combustibles, gasolina y otros vapores y líquidos inflamables.

⚠ ADVERTENCIA: Este dispositivo se puede utilizar con gas propano o gas natural. Se envía desde la fábrica ajustado para su uso con gas propano.

Este aparato está diseñado para usarse únicamente con el tipo de gas indicado en la placa de clasificación. Este aparato no se puede convertir para que utilice otro tipo de gas.

⚠ PELIGRO: ¡La intoxicación con monóxido de carbono puede resultar en la muerte!

Intoxicación con monóxido de carbono: los síntomas iniciales de la intoxicación con monóxido de carbono son semejantes a los

de la gripe, con dolores de cabeza, mareos y/o náusea. Si usted presenta estos síntomas, es posible que el calentador no esté funcionando correctamente. **¡Respire aire fresco inmediatamente!** Haga que le den servicio al calentador. El monóxido de carbono afecta más algunas personas que a otras. Las más afectadas son mujeres embarazadas, personas con enfermedades del corazón, de los pulmones o anemia, aquellas bajo la influencia del alcohol y aquellas a grandes altitudes.

Gas natural y gas propano/LP: el gas natural y gas propano/LP son gases inodoros. Al gas propano se le agrega un agente con olor. El olor le ayuda a detectar las fugas de gas. Sin embargo, el olor que se añade al gas puede desvanecerse. Es posible que haya gas presente aunque no haya ningún olor.

⚠ ADVERTENCIA: Cualquier cambio a este calentador o a sus controles puede ser peligroso.

⚠ ADVERTENCIA: No utilice ningún tipo de accesorio de soplador, accesorio para intercambio de calor ni ningún otro accesorio que no esté aprobado para su uso con este calentador.

⚠ ADVERTENCIA: Supervise cuidadosamente a los niños pequeños cuando estén en la habitación en la que se encuentra el calentador.

⚠ ADVERTENCIA: Asegúrese que la rejilla de resguardo esté puesta antes de hacer funcionar el calentador.

⚠ ADVERTENCIA: Debido a las altas temperaturas generadas por este aparato, éste se debe colocar fuera de las rutas de paso y alejado de muebles y cortinas.

SEGURIDAD

⚠ ADVERTENCIA: Este calentador alcanza temperaturas muy altas cuando el calentador está en funcionamiento. Mantenga a niños y adultos alejados de las superficies calientes para evitar quemaduras o que la ropa se encienda. El calentador permanecerá caliente durante algún tiempo después de que se ha apagado. Permita que la superficie se enfríe antes de tocarla.

⚠ ADVERTENCIA: No coloque ropa ni otros materiales inflamables sobre el aparato ni cerca del mismo. Nunca coloque ningún objeto sobre el calentador.

1. No ponga los tanques de suministro de propano o gas LP dentro de ninguna estructura. Sitúe los tanques de suministro de propano o gas LP en el exterior.
2. Calentadores de una potencia máxima de más de 6,000 BTU/h que no deben instalarse en un cuarto de baño. Calentadores de una potencia máxima de más de 10,000 BTU/h que no deben instalarse en un dormitorio.
3. Este calentador necesita ventilación con aire fresco del exterior para funcionar correctamente. Este calentador tiene un sistema de apagado de seguridad con detección de agotamiento de oxígeno (ODS). El ODS apaga el calentador cuando no hay suficiente aire fresco. Consulte Aire para combustión y ventilación, en la página 40. Si el calentador continúa apagándose, consulte Solución de problemas, páginas 59 a 63.
4. Mantenga todas las entradas de aire del frente y fondo del calentador limpias y libres de escombros. Esto asegurará aire suficiente para la combustión..
5. Si el calentador se apaga, no lo vuelva a encender hasta que se le haya proporcionado aire fresco del exterior. Si el calentador continua apagando se deberá ser revisado por personal calificado.
6. No haga funcionar el calentador:
 - Donde se utilicen o almacenen líquidos o vapores inflamables.
 - En condiciones con mucho polvo.
7. Apague el calentador antes de usar pulidores de muebles, ceras, limpiadores de alfombras o productos parecidos. Si se calientan, los vapores que se desprenden de estos productos pueden producir un residuo de polvo blanco dentro de la caja del calentador, o en las paredes y los muebles adyacentes.
8. No use este calentador si alguna de sus partes estuvo sumergida en agua. Llame inmediatamente a un técnico de servicio para que inspeccione el calentador y para que remplace las piezas del sistema de control o los controles de gas que hayan estado sumergidos en agua.
9. Apague y desconecte el calentador, déjelo enfriar antes de cualquier reparación. Sólo un técnico calificado debe realizar el mantenimiento o reparar el calentador.
10. Hacer funcionar el calentador a alturas superiores a 1,371 m (4,500 pies) puede ocasionar que el piloto se apague.
11. Para evitar problemas de rendimiento en los modelos de gas propano/LP, no use tanques de gas propano/LP de menos de 45 kg (100 libras) de capacidad.

INFORMACIÓN DE PATENTES

Este producto puede estar cubierto por una o más de las siguientes patentes de Estados Unidos:
8,915,239 8,851,065 8,764,436 8,757,202 8,757,13 8,752,541 8,568,136 8,545,216
8,517,718 8,516,878 8,506,290 8,465,277 8,317,511 8,297,968 8,281,781 8,241,034
8,235,708 8,152,515 8,011,920 7,967,006 7,967,007 7,654,820 7,730,765 7,677,236
7,607,426 7,434,447

ESPECIFICACIONES

MODELO	MG10TBF		MG20TBF		MG30TBF	
Encendido	Piezoeléctrico					
Tipo de gas	Natural	Propano	Natural	Propano	Natural	Propano
BTU/h de entrada máx. (disponible)	10,000	10,000	20,000	20,000	30,000	30,000
BTU/Hr de entrada mín. (disponible)	5,000	8,000	10,000	16,000	15,000	24,000
Ajuste del regulador de presión:	4" de c.a.	9" de c.a.	4" de c.a.	9" de c.a.	4" de c.a.	9" de c.a.
Presión del gas de entrada* (pulg. de agua)	Máx. 9.5"	Máx. 14"	Máx. 9.5"	Máx. 14"	Máx. 9.5"	Máx. 14"
	Mín. 5"	Mín. 11"	Mín. 5"	Mín. 11"	Mín. 5"	Mín. 11"
Dimensiones del calentador (alto x ancho x profundidad)	21.2" x 15.79" x 6.85"		24.1" x 18.46" x 8"		24.1" x 25.5 x 8.46"	
Dimensiones del calentador (alto x ancho x profundidad)	22.83" x 17.95" x 8.23"		26.18" x 20.7" x 9.84"		26.18" x 28.15" x 9.84"	
Pesa de calentador	15 lbs		20 lbs		25.2 lbs	
Peso con embalaje	17.6 lbs		23.6 lbs		29.5 lbs	

MODELO	MG20TBF-BB		MG30TBF-BB	
Encendido	Piezoeléctrico			
Tipo de gas	Natural	Propano	Natural	Propano
BTU/h de entrada máx. (disponible)	20,000	20,000	30,000	30,000
BTU/Hr de entrada mín. (disponible)	10,000	16,000	15,000	24,000
Ajuste del regulador de presión:	4" de c.a.	9" de c.a.	4" de c.a.	9" de c.a.
Presión del gas de entrada* (pulg. de agua)	Máx. 9.5"	Máx. 14"	Máx. 9.5"	Máx. 14"
	Mín. 5"	Mín. 11"	Mín. 5"	Mín. 11"
Dimensiones del calentador (alto x ancho x profundidad)	24.1" x 18.46" x 8"		24.1" x 25.5 x 8.46"	
Dimensiones del calentador (alto x ancho x profundidad)	26.18" x 20.7" x 9.84"		26.18" x 28.15" x 9.84"	
Pesa de calentador	22.4 lbs		27.6 lbs	
Peso con embalaje	26.2 lbs		31.9 lbs	

Nota: Las dimensiones enumeradas son la mayoría de los puntos exteriores en el calentador (incluye perillas de control y grill).

* Para la potencia de entrada.

Requisito eléctrico para Soplador Kit (opcional para los modelos MG20TBF y MG30TBF, incluido con modelos MG20TBF-BB y MG30TBF-BB) (si está equipado)

Voltaje • 120 VAC (V.C.A.), 60 Hz

AGENCIA DE INSTALACIÓN CALIFICADA

La instalación y el remplazo de tuberías de gas, de equipos o de accesorios para la utilización de gas y la reparación y el mantenimiento de los equipos deben estar a cargo sólo de una agencia calificada. El término "agencia calificada" significa cualquier persona, empresa, corporación o compañía que, en persona o por medio de un representante, se dedique a y sea responsable de:

- a) Instalar, probar o reemplazar tuberías de gas o
- b) Conectar, instalar, probar, reparar o realizar mantenimiento de equipos; que tenga experiencia en este tipo de trabajos; que esté al tanto de todas las precauciones necesarias y que cumpla con todas las exigencias de las autoridades que tienen jurisdicción.

CARACTERÍSTICAS DEL PRODUCTO

PILOTO DE SEGURIDAD

El calentador posee un piloto que cuenta con un sistema de apagado de seguridad por medio de un sensor de agotamiento de oxígeno (ODS). El sensor de agotamiento de oxígeno del piloto apaga el calentador si no hay suficiente cantidad de aire fresco.

CONTROL TERMOSTÁTICO (Modelos termostato sólo)

El control apaga y enciende el quemador de forma automática por ciclos para mantener una temperatura ambiente deseada.

2 OPCIONES DE GAS DISPONIBLES

El calentador está diseñado para funcionar con gas propano o con gas natural. El calentador es enviado de fábrica listo para conectarse a gas propano. Para cambiarlo fácilmente a gas natural, el instalador calificado debe seguir las instrucciones de la página 47 y las indicaciones que aparecen en el calentador

NORMAS LOCALES

Instale y use el calentador con cuidado. Siga todas las normas locales. A falta de normas locales, utilice la última edición del *Código Nacional de Gas Combustible, ANSI Z223.1/NFPA 54**.

*Disponible en:

American National Standards Institute, Inc.
25 West 43rd Street

New York, NY 10036, EE.UU.

National Fire Protection Association, Inc.
Batterymarch Park
Quincy, MA 02269, EE.UU.

Estado de Massachusetts: La instalación la debe realizar un plomero o un instalador de gas con licencia para ejercer en el estado de Massachusetts.

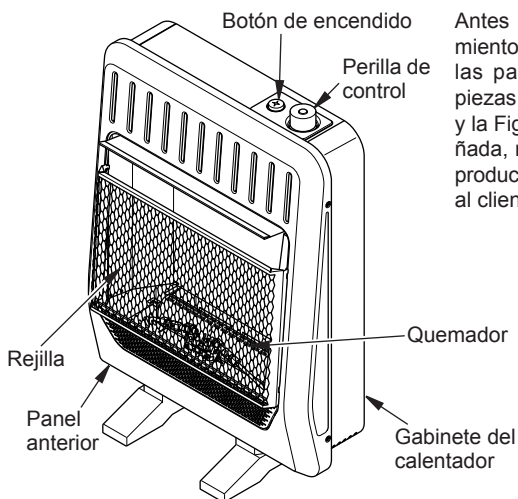
Los vendedores de calentadores complementarios de interiores a base de gas propano o de gas natural y sin ventilación deben proporcionar a cada cliente una copia del 527 CMR 30 al realizar la venta.

En el estado de Massachusetts la manija del gas debe ser una manija tipo T. El estado de Massachusetts requiere que el conector flexible no exceda de 3 pies de largo.

DESEMPAQUE

1. Saque el calentador de la caja.
2. Retire todo el empaque de protección que se agregó al calentador para su envío.
3. Revise el calentador para ver si hay algún daño debido al transporte. Si el calentador está dañado, informe de inmediato al distribuidor donde lo compró.

PREPARACIÓN PARA LA INSTALACIÓN



Antes de comenzar el montaje o funcionamiento del producto, asegúrese de que todas las partes están presentes. Compare las piezas con la lista de contenido del paquete y la Figura 1. Si alguna parte falta o está dañada, no intente montar, instalar u operar el producto. Póngase en contacto con el servicio al cliente para piezas de repuesto.

Figura 1 - Calentador de gas sin ventilación MG20TBF se muestra con la base opcional

VAPOR DE AGUA: UN PRODUCTO DERIVADO DE LOS CALENTADORES DE HABITACIÓN SIN VENTILACIÓN

El vapor de agua es un producto derivado de la combustión del gas. Un calentador de habitación sin ventilación produce aproximadamente 29,57 ml (1 onza) de agua por cada 1,000 BTU (0,29 kW) de entrada de gas por hora. Los calentadores de habitación sin ventilación son recomendables como calefacción suplementaria (una habitación) más que como fuente principal de calefacción (una casa entera). En la mayoría de las aplicaciones de calefacción suplementaria, el vapor de agua no constituye un problema. En la mayoría de las aplicaciones, el vapor de agua contribuye a la baja humedad de la atmósfera que se experimenta en climas fríos.

Los siguientes pasos asegurarán que el vapor de agua no se convierta en un problema:

1. Asegúrese de que el calentador tenga el tamaño adecuado para la aplicación, incluidas la combustión y la circulación adecuadas del aire.
2. Si hay humedad elevada, se puede utilizar un deshumidificador para ayudar a reducir el contenido de vapor de agua del aire.
3. No utilice un calentador de habitación sin ventilación como fuente principal de calefacción.

AIRE PARA COMBUSTIÓN Y VENTILACIÓN

⚠ ADVERTENCIA: Este calentador no se debe instalar en un espacio reducido o excepcionalmente hermético a menos que se tomen las precauciones necesarias para la combustión adecuada y ventilación de aire. Lea las instrucciones siguientes para asegurarse de aire fresco para éste y otros aparatos que queman combustible en su hogar.

Las casas de hoy se construyen más energía eficiente que nunca. Nuevos materiales, mejor aislamiento y los nuevos métodos de construcción ayudan a reducir la pérdida de calor en los hogares. Los propietarios de viviendas burletes y calafateo alrededor de las ventanas y puertas para mantener el aire frío y el aire caliente adentro Durante la temporada de calor, los dueños de casa quieren que sus casas lo más hermética posible.

Mientras que es bueno para hacer su hogar de energía eficiente, su hogar necesita respirar. El aire fresco debe entrar a su casa. Todos los aparatos que queman combustible necesitan aire fresco para la combustión y la ventilación adecuada.

Los extractores de aire, chimeneas, secadoras de ropa y aparatos que queman combustible toman aire de la casa durante su funcionamiento. Usted debe proporcionar aire fresco adecuado para estos aparatos. Esto asegurará una adecuada ventilación de los aparatos que queman combustible ventilados.

⚠ ADVERTENCIA: Este calentador no se debe instalar en una habitación o espacio a menos que el volumen requerido de aire de combustión en interiores es proporcionada por el método descrito en el *Código Nacional de Gas Combustible, ANSI Z223.1/NFPA 54*, el *Fuel Gas Code Internacional* o aplicable códigos locales.

⚠ ADVERTENCIA: Si la zona en la que la estufa se puede operar no cumple con el volumen requerido de aire de combustión en interiores, combustión y de ventilación serán facilitados por uno de los métodos descritos en el *Código Nacional de Gas Combustible, ANSI Z223.1/NFPA 54*, el *Fuel Gas Code Internacional* o con los códigos locales aplicables.

AIRE PARA COMBUSTIÓN Y VENTILACIÓN

AIRE PARA VENTILACIÓN

Aire del interior de la construcción para ventilación

Este aire fresco viene de un espacio adyacente no confinado. Cuando se ventila mediante un espacio adyacente no confinado, debe haber dos aberturas permanentes en la pared que está entre los dos espacios: una abertura 30.4 cm (12") del techo y otra 30.4 cm (12") del piso (consulte las opciones 1 y 2, figura 2). También se puede quitar la puerta de la habitación adyacente (consulte la opción 3, figura 2). Consulte el *Código Nacional de Gas Combustible, ANSI Z223.1/NFPA 54, Aire para Combustión y Ventilación* para conocer el tamaño requerido de las rejillas o los conductos de ventilación.

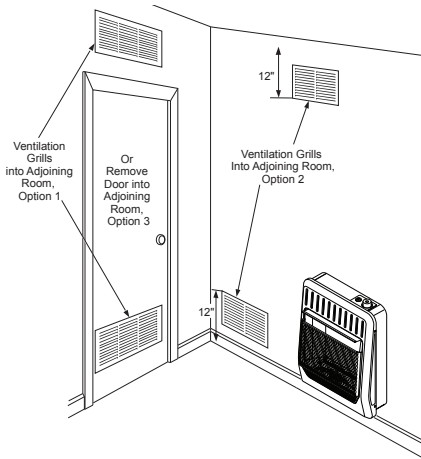


Figura 2 - Aire del interior de la construcción para ventilación

Aire del exterior para ventilación

Proporcione aire fresco adicional mediante el uso de rejillas o conductos de ventilación. Debe haber dos aberturas permanentes: una a 30.48 cm (12") del techo y otra a 30.48 cm (12") del suelo. Conecte estos elementos directamente al exterior o a los espacios que estén abiertos al exterior. Estos espacios incluyen áticos y espacios debajo del piso de la casa. Consulte el *Código Nacional de Gas Combustible, ANSI Z223.1/NFPA 54, Aire para combustión y ventilación* para conocer el tamaño requerido de las rejillas o los conductos de ventilación.

IMPORTANTE: No haga aberturas de entrada o de salida de aire hacia el ático si éste tiene ventilación eléctrica controlada por un termostato. El aire caliente que entre al ático activará la ventilación eléctrica.

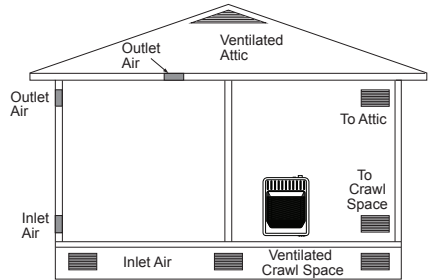


Figura 3 - Aire del exterior para ventilación

INSTALACIÓN

AVISO: Este calentador está diseñado para utilizarse como calefacción adicional. Use este calentador junto con su sistema de calefacción principal. No instale este calentador como fuente de calefacción principal. Si tiene un sistema de calefacción central, puede activar el ventilador de circulación del sistema mientras utiliza el calentador. Esto ayudará a que el calor circule por toda la casa. En caso de una interrupción de la energía eléctrica, puede usar este calentador como su fuente de calefacción principal.

⚠ ADVERTENCIA: Un técnico calificado debe realizar la instalación. Respete todos las normas locales.

⚠ ADVERTENCIA: Nunca instale el calentador

- más de 6,000 BTU/h en un baño. No instalar calentadores de más de 10,000 BTU/h en un dormitorio.
- en un vehículo recreativo
- donde cortinas, muebles, ropa u otros objetos inflamables estén a menos de 0.914 m (36") del frente, de la parte superior o laterales del calentador.
- en áreas de mucho tráfico
- en áreas con mucho viento o con corrientes fuertes de aire

⚠ PRECAUCIÓN: Este calentador crea corrientes de aire caliente. Estas corrientes mueven el calor hacia la superficie de las paredes próximas al calentador. La instalación del calentador cerca de paredes con recubrimientos de vinilo o tela, o la operación del calentador en lugares donde existan impurezas en el aire (como humo de tabaco, velas aromáticas, líquidos limpiadores, lámparas de aceite o de queroseno, entre otros), puede manchar las paredes o producir olores.

IMPORTANTE: Los calentadores sin ventilación añaden humedad al aire. Aunque esto es benéfico, la instalación del calentador en habitaciones sin suficiente aire de ventilación puede ocasionar la formación de moho debido al exceso de humedad. Consulte [Aire para Combustión y Ventilación](#) en la página 40.

VERIFIQUE EL TIPO DE GAS

Asegúrese de que el suministro de gas es apropiado para el calentador. De lo contrario, llame al distribuidor donde compró el calentador para el calentador de tipo adecuado.

DISTANCIA DE SEPARACIÓN DE COMBUSTIBLES

Siga con atención las siguientes instrucciones. Este calentador es una unidad de montaje en la pared diseñada para apoyarse directamente sobre el suelo o una base de repisa.

⚠ ADVERTENCIA: Mantenga las distancias mínimas como se muestra en la Figura 4, página 43. Si es posible, proporcione distancias mayores respecto al suelo, al techo y a las paredes adyacentes. Mida desde el punto más alejado del calentador.

INSTALACIÓN

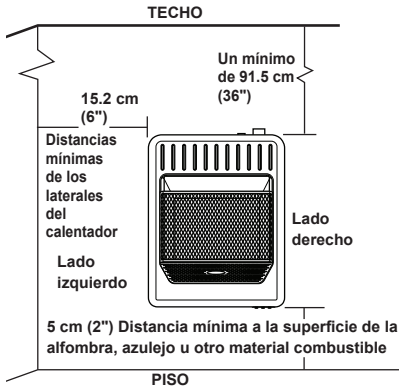


Figura 4 - Distancias mínimas de montaje vistas desde la parte anterior del calentador

UBICACIÓN DEL CALENTADOR

Este calentador está diseñado para ser montado en una pared. Para mayor comodidad y eficiencia, instale el calentador:

1. Cuando hay un fácil acceso para la operación, inspección y servicio.
2. En la parte más fría de la habitación.

Al instalar el aparato directamente sobre alfombras, baldosas u otro material combustible que no sea el suelo de madera, el aparato se instala en un panel de metal o de madera extendió el ancho y la profundidad del aparato.

INSTALACIÓN BULBO SENSOR DE TERMOSTATO (OPCIONAL)

1. Tire de la bombilla de detección a partir de los dos clips situados en la posición de transporte. No hay necesidad de sacar los dos clips de bulbo.
2. Extraer el bulbo clip del paquete de hardware y la inserta en el agujero cuadrado. A continuación, insertar el bulbo sensor en el sujetador de la bombilla (ver Figura 5).

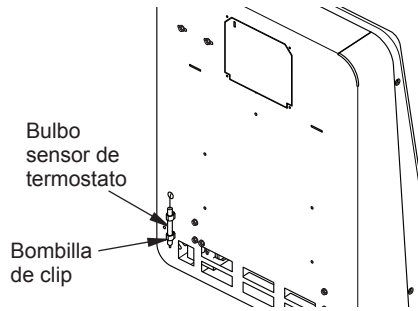


Figura 5 - Mover bulbo sensor de termostato

DESMONTAJE DEL PANEL ANTERIOR

1. Retire los 4 tornillos que fijan el panel frontal.
2. Con cuidado, deslice el panel frontal hacia delante.

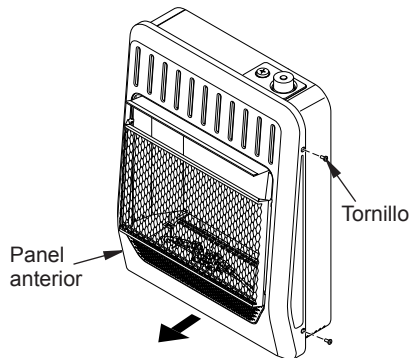


Figura 6 - Desmontaje del panel anterior

INSTALACIÓN

COLOCACIÓN DEL CALENTADOR EN LA PARED

Soporte de montaje

El soporte de montaje se encuentra en el panel posterior del calentador. Se colocó con cinta en ese lugar para el transporte. Retire el soporte de montaje del panel posterior.

Métodos para fijar el soporte de montaje a la pared

Use únicamente el último orificio de cada extremo del soporte de montaje para fijarlo a la pared. Fije el soporte de montaje a la pared mediante una de las dos maneras siguientes:

1. **Fijación a viga de pared:** este método proporciona la sujeción más firme. Inserte los tornillos de montaje en el soporte de montaje y en las vigas de pared.
2. **Fijación a anclajes de pared:** este método le permite fijar el soporte de montaje en paredes huecas (las áreas de la pared que se encuentran entre los maderos) o en paredes sólidas (de concreto o mampostería).

Decida cuál método se ajusta mejor a sus necesidades. Cualquiera de los dos métodos proporcionará un apoyo seguro para el soporte de montaje.

Cómo marcar las ubicaciones de los tornillos

1. Fije el soporte de montaje a la pared con cinta, en el lugar donde estará situado. Asegúrese de que el soporte de montaje esté nivelado.

⚠ ADVERTENCIA: mantenga las distancias mínimas que se muestran en la figura 4, página 43. Si puede, proporcione distancias mínimas mayores con respecto al piso y la pared de unión.

2. Marque la ubicación de los tornillos en la pared (consulte la figura 7).

Nota: Marque únicamente el último orificio de cada extremo del soporte de montaje. Inserte los tornillos de montaje en estos orificios solamente.

3. Quite la cinta y el soporte de montaje de la pared.

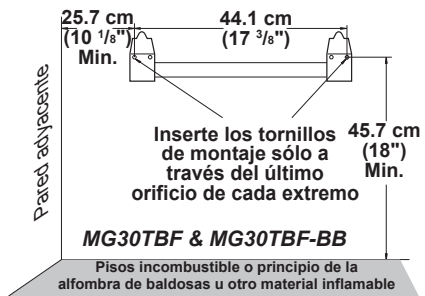
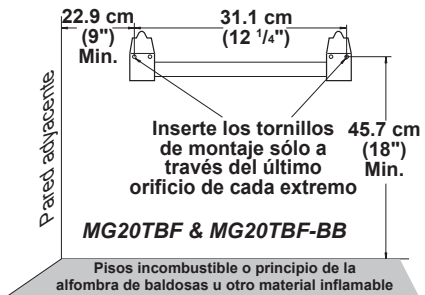
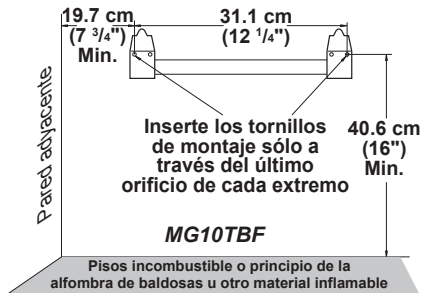


Figura 7 - Distancias mínimas del soporte de montaje

Instalación del soporte de montaje a la pared

Nota: Los anclajes de pared, los tornillos de montaje y los separadores se encuentran en el paquete de ferretería. El paquete de ferretería se incluye con el calentador.

INSTALACIÓN

Método de fijación a viga de pared

Para fijar el soporte de montaje a las vigas de pared:

1. Perfore orificios en los lugares marcados utilizando una broca de 9/64".
2. Coloque el soporte de montaje en la pared. Alinee el último orificio de cada extremo del soporte con los orificios que perforó en la pared.
3. Inserte los tornillos de montaje en el soporte y en las vigas de pared.
4. Apriete los tornillos hasta que el soporte de montaje esté asegurado firmemente a las vigas de pared.

Método de fijación a anclajes de pared

Para fijar el soporte de montaje en paredes huecas (el área entre las vigas) o en paredes sólidas (de concreto o mampostería)

1. Perfore orificios en los lugares marcados utilizando una broca de 5/16". Para las paredes sólidas (de concreto o mampostería), perforo a una profundidad de por lo menos 2.5 cm (1").
2. Doble el anclaje de pared como se muestra en la figura 8.
3. Inserte el anclaje de pared (las alas primero) en el orificio. Golpee suavemente el anclaje para introducirlo en la pared.
4. Para paredes delgadas, de 1.3 cm (1/2") o menos, inserte la llave roja en el anclaje de pared. Empuje la llave roja para que abra las alas de anclaje (consulte la Figura 9).

IMPORTANTE: ¡no golpee la llave con un martillo! Para paredes gruesas, de más de 1.3 cm (1/2") de ancho, o paredes sólidas, no abra las alas.

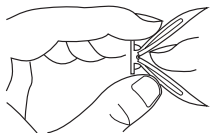


Figura 8 - Cómo doblar el anclaje

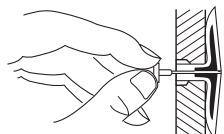


Figura 9 - Cómo abrir las alas del anclaje para paredes delgadas

5. Coloque el soporte de montaje en la pared. Alinee el último orificio de cada extremo del soporte con los anclajes de pared.
6. Inserte los tornillos de montaje en el soporte y en los anclajes de pared.
7. Apriete los tornillos hasta que el soporte de montaje esté asegurado firmemente a la pared.

Colocación del calentador en el soporte de montaje

1. Localice las dos ranuras horizontales en el panel posterior del calentador (consulte la figura 10).
2. Coloque el calentador en el soporte de montaje. Deslice las ranuras horizontales hacia las lengüetas salientes del soporte de montaje.

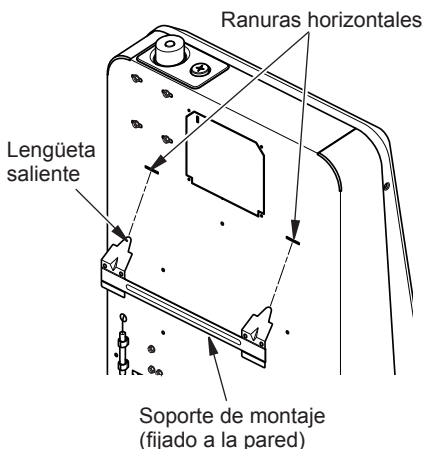


Figura 10 - Montaje del calentador en el soporte de montaje

INSTALACIÓN

Instalación de separadores de pared

1. Coloque el calentador sobre el soporte de montaje de pared.
2. Marque la ubicación de los tornillos en la pared.
3. Quite el calentador del soporte de montaje.
4. Si va a instalar los tornillos de montaje inferiores en una pared hueca o sólida, instale los anclajes de pared. Siga los pasos 1 a 4 en Método de fijación a anclajes de pared, página 45. Si va a instalar el tornillo inferior de montaje en la viga de pared, perforo orificios en los lugares marcados, con una broca de 9/64".
5. Vuelva a colocar el calentador en el soporte de montaje.
6. Coloque los separadores entre los orificios de montaje inferiores y el anclaje de pared o el orificio que perforó.
7. Sostenga el separador en su sitio con una mano. Con la otra mano, inserte el tornillo de montaje a través del orificio inferior de montaje y del separador. Coloque la punta del tornillo en la abertura del anclaje de pared o del orificio que perforó.
8. Apriete los tornillos hasta que el calentador esté asegurado firmemente a la pared. No los apriete demasiado.

Nota: No vuelva a colocar el panel anterior en este momento. Coloque el panel anterior después de hacer las conexiones de gas y de revisar si hay fugas.

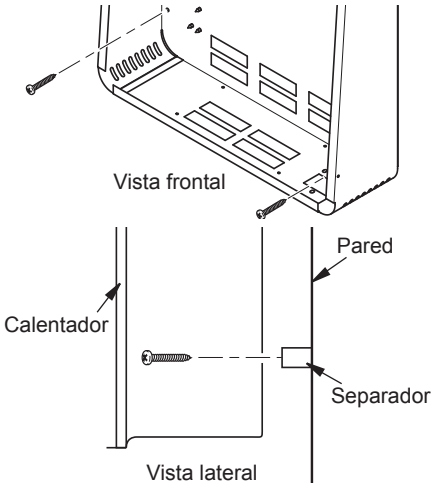


Figura 11 - Instalación de los tornillos de montaje inferiores

INSTALACIÓN DE PATAS DE LA BASE OPCIONALES

1. Aligned agujeros de tornillos en patas de la base a la parte inferior del calentador. Una con tornillos de cabeza Phillips (incluidos) (ver Figura 12).
2. Coloque el calentador a la ubicación deseada. Asegure las patas de la base al suelo mediante el uso de tornillos de cabeza Phillips dos (incluidos) (ver Figura 13).

Vea Accesorios, página 69 para los modelos MG20TBF y MG30TBF

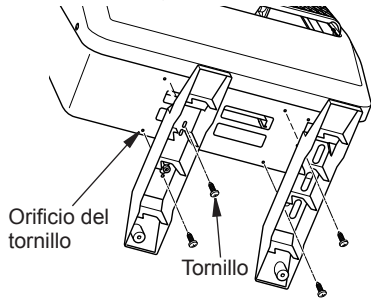


Figura 12 - Colocación de patas de la base de calentador

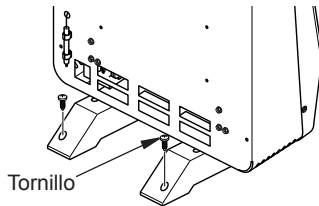


Figura 13 - Fijación del calentador de piso

INSTALACIÓN

SELECCIÓN DE GAS

Este aparato viene ajustado de fábrica para gas propano/LP. No se requieren cambios para la conexión a propano/LP. Sólo un instalador o técnico de servicio calificado puede realizar la selección de gas y la conexión al suministro de gas.

⚠ PRECAUCIÓN: Dos instalaciones de líneas de gas, al mismo tiempo están prohibidos.

⚠ PRECAUCIÓN: Para evitar la fuga de gas para el gas no se utiliza en la entrada del regulador, un instalador o técnico de servicio calificado debe utilizar el enchufe suministrado.

Usted notará un código de colores émbolo en el interior del regulador. Esto es normal. Cuando se inserta el accesorio de conexión de entrada y apretada, este émbolo se echó hacia atrás, mediante la instalación de hacer todos los ajustes para el gas que se suministra. **NO QUITE EL ÉMBOLO.** El regulador no funcionará.

El regulador de entrada es un código de color para la identificación del tipo de gas correcta. El azul es para el propano (gas LP) y el amarillo es para el gas natural.

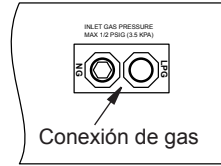


Figura 14 - Parte inferior del calentador

Amarilla gas natural
émbolo debajo
enchufe del metal

Azul propano/LP
gas tapa émbolo
debajo de polvo

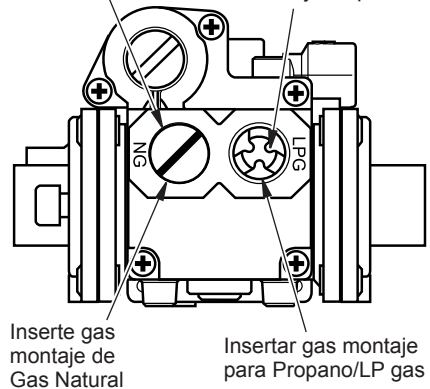
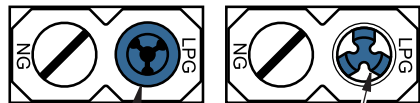


Figura 15 - Regulador de Gas

PARA EL PROPANO/LP INSTALACIÓN DE GAS: AZUL

1. Retire la cubierta de polvo azul.



Cubierta de
polvo azul

NO QUITE
Azul propano/LP gas
émbolo
Instale Gas Fitting Aquí

INSTALACIÓN

2. Aplique sellador de rosca a las roscas en un racor de conexión de latón NPT de 3/8". Mientras presiona, gire hacia la derecha el ajuste hasta que las roscas se acoplan al regulador. Después de la instalación se ha apretado sido parte en el regulador con una llave para completar endurecimiento del accesorio. Instale accesorio adicional para conectar al suministro de la casa.

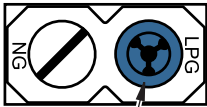


Los accesorios suministrados por el instalador pueden variar.



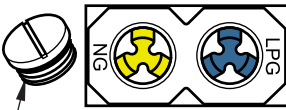
PARA GAS NATURAL (NG) INSTALACIÓN: AMARILLO

1. Retire la cubierta de polvo azul del regulador.



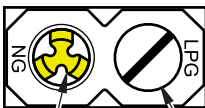
Cubierta de polvo azul

2. Retire la tapa metálica instalada sobre la entrada del regulador NG.



Tapa de metal

3. Instale la tapa de metal sobre entrada del regulador LP/propano. Esto evitará que los residuos fuera del regulador.



NO quite
Amarillo Gas Natural émbolo
Instale Gas Fitting Aquí

Tapa de metal

Utilice únicamente la tapa suministrada en el regulador. No utilice una tapa del tubo de la estantería. Esto puede dañar el émbolo. La tapa del regulador suministrada está diseñada para que no acople el tipo de gas no utilizado.

4. Aplique sellador de roscas a las roscas en el accesorio de conexión. Mientras presiona, gire hacia la derecha el ajuste hasta que las roscas se acoplan al regulador. Después de la instalación se ha apretado sido parte en el regulador con una llave para completar endurecimiento del accesorio. Instale accesorio adicional para conectar al suministro de la casa.



NO use una tapa de tubería de 3/8" NPT que pueda dañar los émbolos ubicados dentro del regulador.

NO intente retirar los émbolos desde el interior del regulador. El émbolo se empujó hacia atrás como se instala el accesorio.

Asegúrese de que el tipo de gas que se utiliza es la correcta. Asegúrese de que el accesorio de conexión se encuentra en la entrada correcta en el regulador. Consulte Conexión a Suministro de Gas, en la página 49.

Si está utilizando el gas natural y el piloto no se enciende, consulte Solución de Problemas, en la página 59.

INSTALACIÓN

CONEXIÓN AL SUMINISTRO DE GAS

⚠ ADVERTENCIA: Una persona de servicio capacitada debe conectar el calentador al suministro de gas. Siga todas las normas locales.

⚠ ADVERTENCIA: Este aparato requiere una conexión de entrada tipo NPT (rosca de tubería nacional) de 3/8" al regulador de presión.

⚠ ADVERTENCIA: Para gas natural, nunca conecte el calentador a pozos de gas privados (que no sean de servicio público). Este gas se conoce comúnmente como gas de pozo.

⚠ ADVERTENCIA: No sobre apriete las conexiones de gas.

⚠ PRECAUCIÓN: Utilice únicamente tubería nueva, de hierro negro o de acero. En algunas áreas se puede utilizar tubería de cobre con interior galvanizado. Consulte los códigos locales. Use tubería de 1/2" de diámetro interior, o mayor, para que el volumen de gas al calentador sea el adecuado. Si la tubería es demasiado angosta, se producirá una pérdida indebida de presión.

⚠ PRECAUCIÓN: Revise la presión de la línea de gas natural antes de conectar el calentador a la línea. La presión de la línea de gas no debe ser superior a 24.1 cm (9.5") de c.a. Si la presión de la línea de gas es superior, podría dañarse el regulador del calentador.

⚠ PRECAUCIÓN: Para gas propano/LP, nunca conecte el calentador directamente al suministro de gas propano/LP. Este calentador requiere un regulador externo (no se incluye). Instale el regulador externo entre el calentador y el suministro de gas propano/LP. El proveedor de gas debe suministrar un regulador externo para el gas natural. El técnico capacitado proporciona el regulador externo para el gas propano/LP.

⚠ PRECAUCIÓN: Evite dañar el regulador. Sostenga el regulador de gas con una llave cuando lo conecte a la tubería de gas y/o a las conexiones.

⚠ ADVERTENCIA: Use sellador para tubería que sea resistente al gas (Propano/LP o Gas Natural).

Antes de instalar el calentador, asegúrese de tener los elementos que se indican a continuación.

- regulador externo para gas propano/LP (proporcionado por el técnico capacitado que realiza la instalación)
- tubería (consulte los códigos locales),
- sellador (resistente al gas natural y gas propano/LP),
- válvula de cierre del equipo*,
- conexión para medidor de prueba*,
- unión de terminal con conexión a tierra,
- trampa de sedimentos,
- unión T,
- llave para tubería,
- manguera flexible para gas (revise los códigos locales)
- Racor de latón 3/8" NPT

* Una válvula de cierre de equipo con diseño certificado por la CSA con rosca tipo NPT de 1/8" es una alternativa aceptable como conexión para el medidor de prueba. La válvula opcional de cierre de equipo con diseño certificado por la CSA la puede adquirir con su distribuidor.

INSTALACIÓN

Diámetros usuales de tubería de entrada

Utilice tuberías de hierro negro de 3/8" o más grandes. La instalación debe incluir la válvula de cierre del equipo, la unión y el tapón con rosca NPT de 1/8". Sitúe el conector con rosca NPT a su alcance para realizar la conexión del medidor de prueba. El conector tipo NPT se debe conectar en dirección del suministro desde el calentador (consulte la figura 16).

IMPORTANTE: instale una válvula de cierre del equipo en un lugar que sea accesible. La válvula de cierre del equipo es para abrir o cerrar el suministro de gas al aparato.

Para gas propano/LP, aplique una pequeña cantidad de sellador de tubería a las roscas NPT macho. Esto evitará que el exceso de sellador entre a la tubería. El exceso de sellador en la tubería puede ocasionar que las válvulas del calentador se tapen.

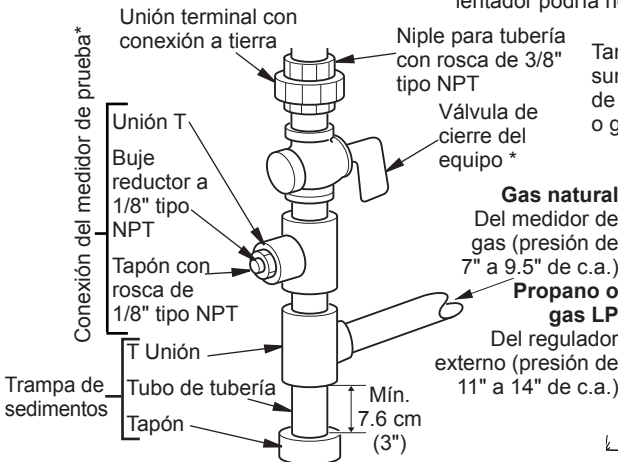


Figura 16 - Conexión de gas

* Adquiera la válvula opcional de cierre de equipo certificada con diseño CSA del distribuidor.

El instalador debe proveer un regulador externo. El regulador externo reducirá la presión del gas entrante. Debe reducir la presión del gas entrante de manera que esté entre 11" y 14" de c.a. Si no reduce la presión del gas entrante, se pueden producir daños al regulador del calentador. Instale el regulador externo con la ventila apuntando hacia abajo. Como se muestra en la figura 17. El apuntar la ventila hacia abajo la protege de la lluvia helada o aguanieve.

Instale la trampa de sedimentos en la línea de suministro como se muestra en la figura 16. Sitúe la trampa de sedimentos de manera que se pueda tener acceso a ella para limpieza. Sitúe la trampa de sedimentos donde sea poco probable que los materiales atrapados en ella se congelen. La trampa de sedimentos atrapa humedad y contaminantes. Esto evita que los sedimentos lleguen a los controles del calentador. Si la trampa de sedimentos no se instala o se instala incorrectamente, el calentador podría no funcionar correctamente.

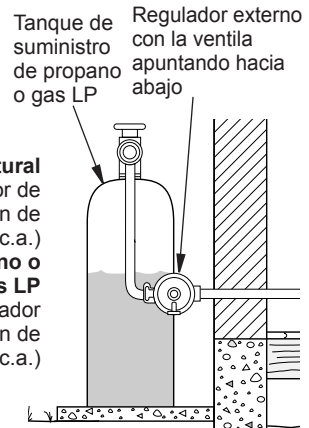


Figura 17 - Regulador externo con la ventila apuntando hacia abajo (sólo propano y gas LP)

INSTALACIÓN

REVISIÓN DE LAS CONEXIONES DE GAS

⚠ ADVERTENCIA: Después de instalar el calentador o de darle servicio, pruebe todas las conexiones y tubos de gas de la unidad, tanto internas como externas, en busca de fugas. Repare todas las fugas inmediatamente.

⚠ ADVERTENCIA: Nunca use una llama al descubierto para verificar si hay fugas. Aplique líquido no corrosivo para detectar fugas en todas las uniones. La formación de burbujas indicará una fuga. Repare todas las fugas inmediatamente.

Pruebas de presión del sistema de tuberías de suministro de gas

Presiones de prueba que exceden 3.5 kPa (1/2 PSI)

1. Desconecte el aparato del sistema de tubería de suministro de gas con la válvula principal de gas del aparato (válvula de control) y con válvula de cierre del equipo. Las presiones que excedan 3.5 kPa (1/2 PSI) ocasionarán daños al regulador del calentador.
2. Coloque una tapa en el extremo abierto del tubo de gas donde estaba conectada la válvula de cierre del equipo.
3. Regule la presión del sistema de tubería de suministro ya sea abriendo la válvula del tanque de suministro de gas propano/LP, en caso que utilice este tipo de gas, o bien,
4. Revise todas las uniones del sistema de tubería de suministro de gas. Aplique en todas las uniones algún líquido de detección de fugas que no sea corrosivo. La formación de burbujas indicará una fuga.
5. Repare todas las fugas inmediatamente.
6. Vuelva a conectar el calentador y la válvula de cierre del equipo al suministro de gas. Revise las conexiones que se volvieron a conectar en caso de fugas.

Presiones de prueba iguales o menores a 3.5 kPa (1/2 PSI)

1. Cierre la válvula de cierre del equipo (consulte la figura 18).
2. Regule la presión del sistema de tubería de suministro ya sea abriendo la válvula del tanque de suministro de gas propano/LP, en caso que utilice este tipo de gas, o bien, abriendo la válvula principal de gas que se localiza en el medidor de gas natural o cerca de éste, o bien, usando aire comprimido.
3. Revise todas las uniones desde el medidor de gas, tanto para suministro de gas natural o propano/LP, hasta la válvula de cierre del equipo (consulte la figura 19 o 20). Aplique en todas las uniones algún líquido de detección de fugas que no sea corrosivo. La formación de burbujas indicará una fuga.
4. Repare todas las fugas inmediatamente.

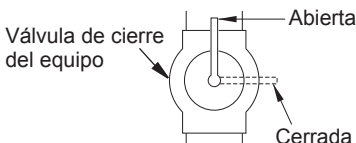


Figura 18 - Válvula de cierre del equipo

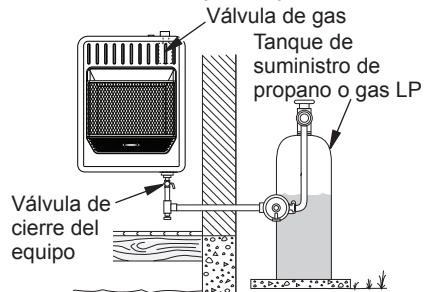


Figura 19 - Propano/LP suministro de gas

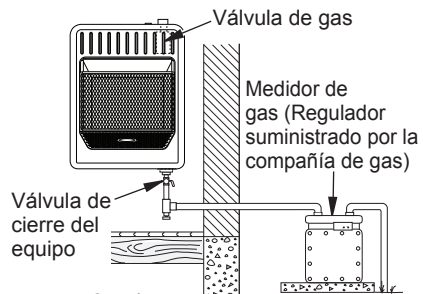


Figura 20 - Suministro de gas natural


INSTALACIÓN

Comprobación de la presión de las conexiones de gas del calentador

1. Abra la válvula de cierre del equipo (consulte la figura 18, página 51).
2. Si usa gas natural, abra la válvula principal de gas ubicada en el medidor de gas o cerca de éste. Si usa propano o gas LP, abra la válvula de suministro de propano o gas LP.
3. Compruebe que la perilla de control del calentador esté en la posición OFF (apagado).
4. Revise todas las uniones entre la válvula de cierre del equipo y válvula de control (consulte la figura 19 o 20, página 51). Aplique en todas las uniones algún líquido para detectar fugas que no sea corrosivo. La formación de burbujas indicará una fuga.
5. Repare todas las fugas inmediatamente.
6. Encienda el calentador (consulte *Funcionamiento*). Revise el resto de las uniones internas para ver si hay fugas.
7. Apague el calentador (consulte *Cómo cerrar el suministro de gas al aparato*, página 54).
8. Vuelva a colocar el panel anterior.

FUNCIONAMIENTO


**POR SU SEGURIDAD, LEA ESTO
ANTES DE ENCENDER EL CALENTADOR**


 **ADVERTENCIA:** No seguir estas instrucciones al pie de la letra puede resultar en incendio o explosión que produzcan daños a la propiedad, lesiones físicas o la muerte.

- A. Este aparato tiene un piloto que se debe encender manualmente. Cuando encienda el piloto, siga estas instrucciones al pie de la letra.
- B. **ANTES DE ENCENDERLO** compruebe que alrededor del aparato no hay olor a gas. Asegúrese de oler también cerca del suelo, ya que algunos gases son más pesados que el aire y se asientan cerca del suelo.
QUÉ HACER SI PERCIBE OLOR A GAS
 - No intente encender ningún aparato.
 - No toque ningún interruptor eléctrico; no use ningún teléfono en el edificio.
- C. Llame inmediatamente a su proveedor de gas desde el teléfono de algún vecino. Siga las instrucciones del proveedor de gas.
 - Si no puede localizar al proveedor de gas, llame al departamento de bomberos.
- C. Utilice únicamente la mano para presionar o girar la perilla de control de gas. Nunca utilice herramientas. Si no puede presionar o girar la perilla manualmente, no intente repararla, llame a un técnico de servicio capacitado. Forzarla o tratar de repararla pueden producir un incendio o una explosión.
- D. No use este aparato si alguna de sus partes estuvo sumergida en agua. Llame inmediatamente a un técnico capacitado de servicio para que inspeccione el aparato y remplace las piezas del sistema de control y los controles de gas que hayan estado sumergidos en agua.

FUNCIONAMIENTO

INSTRUCCIONES DE ENCENDIDO

1. ¡ALTO! Lea la información de seguridad en la página 52.
2. Asegúrese de que la válvula de cierre del equipo esté totalmente abierta.
3. Gire la perilla de control en dirección de las manecillas del reloj  hasta la posición OFF (apagado).
4. Espere cinco minutos a que se disipe el gas. Luego, compruebe que no huela a gas, incluso cerca del piso. Si percibe olor a gas, ¡DETÉNGASE! Siga el punto "B" en la información de seguridad en la página 52. Si no percibe olor a gas, continúe con el siguiente paso.

5. Gire la perilla de control en dirección contraria a las manecillas del reloj  hasta la posición PILOT (piloto). Mantenga presionada la perilla de control durante cinco (5) segundos (consulte la figura 21).

Nota: es posible que ésta sea la primera vez que hace funcionar el calentador después de conectarlo al suministro de gas. Si es así, es posible que deba presionar la perilla de control durante 30 segundos o más. Esto permitirá que el aire salga del sistema de gas. En caso que el piloto no encienda, consulte la sección Solución de problemas, en la página 59. También, llame a un técnico de servicio calificado o a su proveedor de gas para que realicen las reparaciones necesarias. Hasta que se hagan las reparaciones, encender el piloto con un fósforo.

• Si al soltar la perilla de control ésta no regresa a su posición original, llame a un técnico de servicio calificado o a su proveedor de gas para que realicen las reparaciones necesarias.

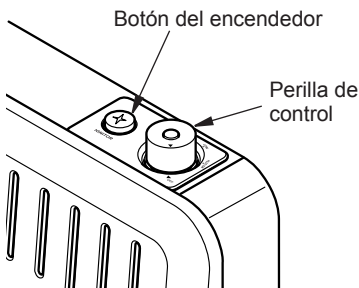



Figura 21 - Perilla de control en la posición OFF (apagado)

6. Continúe presionando la perilla de control y, al mismo tiempo, oprima y suelte el botón de encendido. Esto encenderá el piloto. El piloto está instalado en la parte anterior del quemador. El piloto puede ser visto a través de la parrilla. En caso necesario, continúe oprimiendo el botón de encendido hasta que el piloto encienda.
Nota: Si el piloto no se mantiene encendido, consulte la sección Solución de problemas, en la página 59. También en contacto con un técnico de servicio calificado o proveedor de gas para las reparaciones. Encienda el piloto con un fósforo hasta que se realicen las reparaciones. Para encender el piloto con un fósforo. Consulte el Procedimiento para encendido manual, en la página 54.

7. Una vez que haya encendido el piloto mantenga la perilla de control presionada durante 30 segundos. Después de los 30 segundos, suelte la perilla de control. Si la perilla de control no aparecerá cuando se libera, póngase en contacto con un técnico de servicio calificado o proveedor de gas para las reparaciones.

Nota: si el piloto se apaga, repita los pasos 2 al 6. Este calentador tiene un sistema de bloqueo de seguridad. Espere un (1) minuto antes de encender el piloto nuevamente.

8. Gire la perilla de control en sentido contrario al de las manecillas del reloj  hasta la temperatura deseada. El quemador principal deberá encenderse. Fije el mando de control a cualquier nivel de calor entre alta y baja.

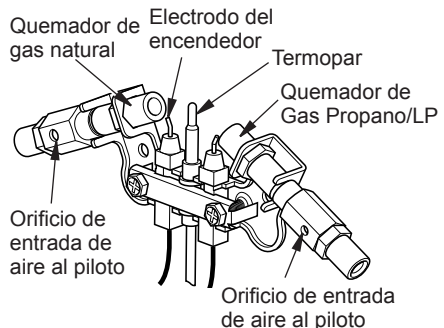


Figura 22 - Conjunto de piloto

FUNCIONAMIENTO

⚠ PRECAUCIÓN: no intente ajustar los niveles de calefacción por medio de la válvula de cierre del equipo.

⚠ ADVERTENCIA: Si el tipo de entrada de gas es NG, asegúrese de que el quemador del piloto NG encienda. Si el tipo de entrada de gas es LP, asegúrese de que el quemador del piloto LP encienda.

FUNCIONAMIENTO DEL CONTROL CON TERMOSTATO


El control termostático utilizado en este modelo difiere de termostatos estándar. Usted establece termostatos estándar a una temperatura específica, como 72 grados. El termostato utilizado en este calentador detecta la temperatura ambiente. A veces la habitación puede superar la temperatura establecida. Si es así, el quemador se apagará. El ciclo de

quemador volverá a encenderse cuando la temperatura ambiente desciende por debajo de la temperatura programada. El botón de control se puede ajustar a cualquier nivel de confort entre HIGH (alta) y LOW (baja).


Nota: El bulbo sensor del termostato reacciona a la temperatura dependiendo de la construcción de viviendas.

CÓMO CERRAR EL SUMINISTRO DE GAS AL APARATO

Cómo apagar el calentador

Gire la perilla de control en dirección de la manecillas del reloj  hasta la posición OFF (apagado).

Cómo apagar el quemador sólo (permanece encendido)

Gire la perilla de control en dirección de la manecillas del reloj  hasta la posición PILOT (piloto).

PROCEDIMIENTO PARA ENCENDIDO MANUAL

1. Desmonte el panel delantero inferior.
2. Realice los pasos 2 a 5 de las *Instrucciones de encendido*, página 53.
3. Con la perilla de control presionada, encienda un fósforo. Sostenga el fósforo en el piloto hasta que éste se encienda.
4. Una vez que haya encendido el piloto mantenga la perilla de control presionada durante 30 segundos. Después de 30 segundos suelte la perilla de control. Realice el paso 8 de las *Instrucciones de encendido*, página 53.
5. Vuelva a colocar el panel anterior.

CONEXIÓN ELÉCTRICA

PARA CALENTADORES EQUIPADO CON UN VENTILADOR

⚠ No utilice este calentador si alguna de sus piezas estuvo sumergida en agua. Llame de inmediato a un técnico en mantenimiento calificado a fin de que inspeccione la calentador y reemplace cualquier pieza del sistema eléctrico que haya estado bajo agua.

CONEXIÓN ELÉCTRICA

INSTRUCCIONES DE CONEXIÓN A TIERRA

Este calentador fue diseñado para su uso con 120 voltios. El cable tiene un enchufe, como se muestra en la Figura 23. Hay un adaptador disponible, como se muestra en la C, para conectar enchufes con conexión a tierra de tres clavijas a receptáculos de dos ranuras. La terminal verde de conexión a tierra que sale del adaptador se debe conectar permanentemente a tierra, puede ser a través de una caja de un toma corriente correctamente conectado a tierra. El adaptador no se debe usar si hay disponible un receptáculo de conexión a tierra de tres ranuras.

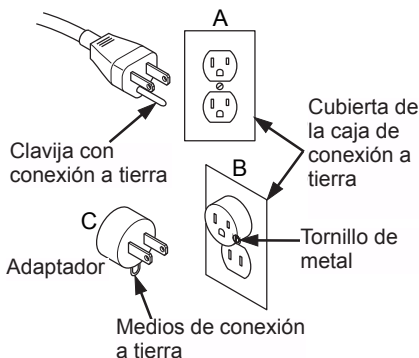


Figura 23 - Toma de corriente eléctrica con conexión a tierra

FUNCIONAMIENTO DEL VENTILADOR

Para hacer funcionar la unidad manual, gire el interruptor ON/OFF a la posición ON. Para hacer funcionar la unidad automática, girar la llave de AUTO/O/MAN en la posición deseada. posición MAN permanecerá constantemente encendido. posición AUTO será controlado por el sensor de la unidad de ventilador del soplador. El sensor se activa cuando la temperatura de la cabeza del sensor alcanza el punto de conmutación del conjunto después de que se inicia el calentador. Para detener la operación, colocar el interruptor en la posición O.

CABLEADO ELÉCTRICO

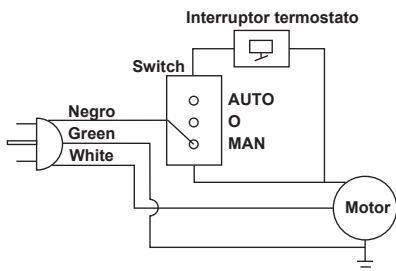
Todo nuevo cableado eléctrico del electrodoméstico debe realizarlo un electricista calificado. Este cableado se debe realizar de acuerdo con los códigos locales y/o, en Canadá, de acuerdo con el Código de Electricidad de Canadá CSA C22.1 actual, y para las instalaciones en EE.UU., de acuerdo con el Código Nacional de Electricidad, ANSI/NFPA No. 70.

⚠️ ADVERTENCIA: Si se repara o reemplaza cualquier componente eléctrico o cableado, se deben seguir las rutas originales de los cables, los códigos de color y las ubicaciones de seguridad.

⚠️ PRECAUCIÓN: Marque todos los cables antes de la desconexión cuando se de servicio a los controles. Los errores de cableado pueden ocasionar un funcionamiento incorrecto y peligroso.

⚠️ ADVERTENCIA: Nunca intente reparar el calentador mientras está enchufado, funcionando o caliente. Las quemaduras y descargas eléctricas podrían resultar. Sólo un técnico calificado debe dar servicio o reparar el calentador.

Verifique el funcionamiento correcto después del servicio. Si alguno de los cables originales suministrados con el aparato debe ser reemplazado, deberá ser reemplazado con un cable de al menos 105° C de temperatura.



INSPECCIÓN DEL CALENTADOR

IMPORTANTE: El propietario debe revisar frecuentemente los patrones de la llama del piloto y de la llama del quemador. Patrones de llama incorrectos indican la necesidad de limpieza o servicio de mantenimiento (consulte Cuidado y mantenimiento, página 57).

⚠ ADVERTENCIA: Sólo una persona de servicio capacitada debe repararlo o darle servicio. Esto incluye el mantenimiento requerido, refacciones o alteración de componentes.

PATRÓN DE LA LLAMA DEL PILOTO

La figura 24 muestra un patrón correcto de la llama del piloto. La figura 25 muestra un patrón incorrecto de la llama del piloto. La llama incorrecta del piloto no toca el termopar. Esto ocasionará que el termopar se enfríe. Cuando el termopar se enfríe, el calentador se apagará. Si el patrón de la llama del piloto es incorrecto, como se muestra en la figura 25

- apague el calentador (consulte Cómo cerrar el suministro de gas al aparato, en la página 54).
- consulte Solución de problemas, en la página 59 a 63.

⚠ ADVERTENCIA: Si se presenta un color amarillo en las puntas de las llamas, el calentador puede producir niveles elevados de monóxido de carbono. Si el patrón de la flama del quemador muestra un color amarillo en las puntas, siga las instrucciones.

AVISO: no confunda las llamas anaranjadas con el color amarillo en las puntas. El polvo y otras partículas pequeñas se introducen al calentador y al quemarse producen breves manchas de llamas anaranjadas.

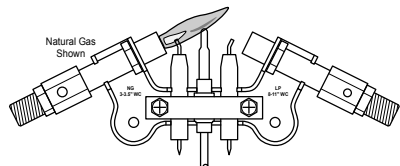


Figura 24 - Patrón correcto de la llama del piloto

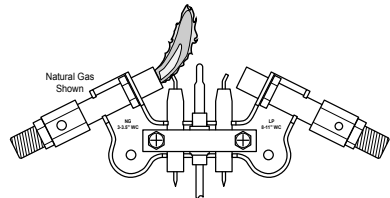


Figura 25 - Patrón incorrecto de la llama del piloto

PATRÓN DE LA LLAMA DEL CALENTADOR

En la figura 26 se muestra el patrón correcto de la flama del quemador. En la figura 27 se muestra un patrón incorrecto de la flama del quemador. El patrón incorrecto de la flama del quemador produce las puntas amarillas de las llamas. También muestra llamas más altas que la mitad de la altura del panel de vidrio.

Si el patrón de la llama del quemador es incorrecto, como se muestra en la figura 27

- apague el calentador (consulte Cómo cerrar el suministro de gas al aparato, en la página 54).
- consulte Solución de problemas, en la página 59 a 63

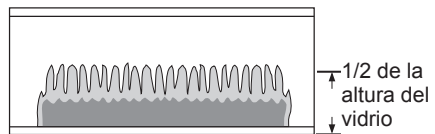


Figura 26 - Patrón correcto de la flama del quemador

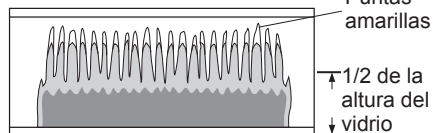


Figura 27 - Patrón incorrecto de la flama del quemador

CUIDADO Y MANTENIMIENTO

⚠ ADVERTENCIA: Apague el calentador y deje que se enfríe antes de darle mantenimiento.

⚠ PRECAUCIÓN: Debe mantener limpias las áreas de control, el quemador y las vías de circulación de aire del calentador. Inspeccione estas áreas del calentador antes de cada uso. Haga que una persona de servicio calificada inspeccione el calentador una vez al año. Es posible que el calentador requiera de limpieza más frecuente a causa del exceso de pelusa proveniente de alfombras, de camas, de pelo de mascotas, etc.

⚠ ADVERTENCIA: No mantener limpias las entradas principales de aire puede facilitar la producción de hollín y producir daños a la propiedad.

QUEMADOR PRINCIPAL

Inspeccione periódicamente todos los orificios de llamas del quemador con el calentador en funcionamiento. Todos los orificios de ranura del quemador deben estar abiertos y su llama debe ser amarilla. Todos los orificios para las llamas redondos del quemador deben estar abiertos y su llama debe ser pequeña y

azul. Algunos orificios del quemador pueden bloquearse con desechos u óxido y no hay llama. Si es así, apague el calentador y déjelo enfriar; luego, elimine el bloqueo o remplace el quemador. Si los orificios del quemador se bloquean, se producirá hollín.

SUJETADOR DEL INYECTOR DEL QUEMADOR Y ORIFICIO DE ENTRADA DE AIRE DEL PILOTO

Recomendamos limpiar la unidad cada tres meses o después de 2.500 horas de uso. También se recomienda que mantenga el quemador y el piloto limpio y libre de polvo y suciedad. Para limpiar estas piezas, se recomienda que use aire comprimido a una presión no mayor de 30 PSI. Es posible que la tienda local de equipo de cómputo, ferretería o de mejoras al hogar tengan aire comprimido en latas. Puede usar una aspiradora en la posición de aire. Si utiliza aire comprimido en lata, siga las instrucciones que aparecen en la lata. Si no sigue las instrucciones escritas en la lata, puede dañar el ensamble del piloto.

1. Cierre la unidad, incluyendo el piloto. Deje que la unidad se enfríe durante al menos treinta minutos.
2. Retire los cuatro tornillos que fijan el panel frontal.
3. Tire del panel frontal hacia adelante.
4. Inspeccionar y piloto del calentador para el polvo y la suciedad.
5. Haga pasar aire a través de los puertos / ranuras y orificios del quemador.
6. Vuelva a colocar el panel frontal mediante tornillos retirados en el paso 2.

CUIDADO Y MANTENIMIENTO

ODS/PILOTO

Utilice una aspiradora, aire comprimido o un cepillo pequeño, de cerdas suaves para limpiarlos.

Si la llama del piloto tiene la punta amarilla, indica la presencia de polvo y suciedad en el ensamble del piloto. Hay un pequeño orificio de entrada de aire al piloto, aproximadamente de 5 cm (2") de diámetro de donde sale la llama del piloto (consulte la figura 28). Con la unidad apagada, haga pasar aire ligeramente a través del orificio de entrada de aire. Si no cuenta con aire comprimido, puede soplar a través de una pajilla o popote.

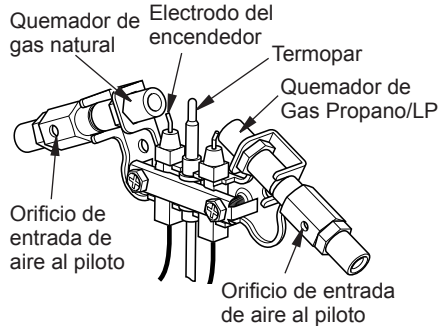


Figura 28 - Orificio de entrada de aire al piloto

GABINETE

Conductos de aire

Utilice una aspiradora o aire comprimido para limpiarlos.

Exterior

- Utilice un paño humedecido con una mezcla de agua y jabón suave.
- Frote el gabinete para quitar el polvo.

MANTENIMIENTO DEL MOTOR DEL VENTILADOR (SI ESTÁ EQUIPADO)

Siempre desconecte el electrodoméstico del suministro eléctrico principal y permita que se enfríe antes de cualquier operación de mantenimiento.

Los motores usados en el calentador de ventilador y el soplador de llamas vienen lubricados previamente para prolongar la vida útil de los rodamientos y no necesitan otra lubricación. Sin embargo, se recomienda una limpieza o aspiración periódica del electrodoméstico alrededor de la entrada y

salida de aire, así como del calentador de ventilador. Para un uso pesado o continuo, la limpieza periódica se debe realizar con mayor frecuencia. Si el calentador sopla alternadamente aire frío y cálido, compruebe que el ventilador se mueva libremente y que no haya desechos que obstruyan el flujo de aire. Si el ventilador no se mueve libremente, la unidad se debe apagar y el ventilador se debe reemplazar inmediatamente para evitar daños a la unidad.

SOLUCIÓN DE PROBLEMAS

⚠ ADVERTENCIA: Si percibe olor a gas

- Cierre el suministro de gas.
- No intente encender ningún aparato.
- No toque ningún interruptor eléctrico; no use ningún teléfono en el edificio.
- Llame inmediatamente a su proveedor de gas desde el teléfono de algún vecino. Siga las instrucciones del proveedor de gas.
- Si no puede localizar al proveedor de gas, llame al departamento de bomberos.

⚠ ADVERTENCIA: Sólo una persona de servicio capacitada debe reparar la calentador y darle servicio. Asegúrese de que el equipo está apagado antes de proceder. Apague y deje que se enfríe antes de darle servicio.

⚠ PRECAUCIÓN: Nunca utilice un alambre, aguja u objetos parecidos para limpiar el piloto/ODS. Esto puede dañar la unidad de piloto/ODS.

IMPORTANTE: Si hace funcionar el calentador donde existen impurezas en el aire se pueden producir olores. Los productos de limpieza, pintura, solventes de pintura, humo de cigarro, cementos y pegamentos, alfombras o textiles nuevos, etc., producen gases. Estos gases se pueden mezclar con el aire que se utiliza para la combustión y producir olores.

Nota: Todos los puntos para solución de problemas se listan en orden de funcionamiento.

Problema	Causa Posible	Acción Correctiva
El uso de gas natural y el piloto no se enciende.	Presión inicial supera los 9.5" WC.	Presostato Bypass. Vea las instrucciones de abajo.

Interruptor de presión

Cuando se usa gas natural (NG), hay un interruptor de presión que actúa para apagar el flujo de gas al piloto si la presión de entrada excede 9.5" WC. Esto es para prevenir la operación de la unidad en el gas de mal (propano/LP). Si el suministro de gas natural supera los 9.5" WC la unidad no funcionará. O póngase en contacto con su proveedor de gas para comprobar y ajustar la presión de entrada o un técnico de servicio calificado puede pasar por alto el interruptor de presión.

Antes de tratar de pasar por alto el interruptor de presión, asegúrese de que el tipo de gas que se utiliza es la correcta. Asegúrese de que el accesorio de conexión se encuentra en la entrada correcta en el regulador. Consulte *Conexión a Suministro de gas*, en la página 54. Sólo un técnico calificado debe pasar por alto el interruptor de presión. Para anular el interruptor de presión localizar el tornillo de ajuste en el regulador. Utilice un pequeño destornillador de punta plana para girar el tornillo de ajuste

en sentido antihorario 2 vueltas. Esto pasará por alto la función de interruptor de presión.

La tubería de suministro de gas completa, incluidas las conexiones en el interior del calentador debe probar contra fugas por el instalador autorizado. Después de la fuga probar el instalador calificado debe encender el aparato. Consulte el patrón correcto de la llama, como se ilustra en la página 56. Todos los de la llama debe ser de forma segura en el interior del producto. Si por alguna razón no es así, deje de utilizar el aparato y llame para las reparaciones.

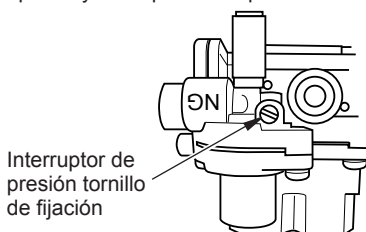


Figura 29 - Interruptor de presión del regulador de gas

SOLUCIÓN DE PROBLEMAS

Problema	Causa Posible	Acción correctiva
<p>Cuando se presiona el botón del encendedor, no hay chispa en el piloto/ODS.</p>	<ol style="list-style-type: none"> 1. Electrodo de encendido está mal colocado. Electrodo de encendido está roto. 2. El electrodo del encendedor no está conectado al cable del encendedor. 3. El cable del encendedor está comprimido o mojado. 4. El cable del encendedor está roto. 5. El encendedor piezoeléctrico está defectuoso. 	<ol style="list-style-type: none"> 1. Remplace el electrodo del encendedor. 2. Remplace el cable del encendedor. 3. Libere el cable del encendedor si algún metal o tubería lo está comprimiendo. Mantenga seco el cable del encendedor. 4. Remplace el cable del encendedor. 5. Remplace el encendedor piezoeléctrico.
<p>Cuando se presiona el botón del encendedor, hay chispa en el piloto/ODS pero no se enciende.</p>	<ol style="list-style-type: none"> 1. El suministro de gas está cerrado o la válvula de cierre del equipo está cerrada. 2. La perilla de control no se presionó del todo al pulsar el botón de encendido. 3. Quedó aire en las líneas de gas (nueva instalación o interrupción gas reciente). 4. El piloto/ODS está tapado. 5. La presión de gas es inadecuada o el regulador de entrada de gas está dañado. 6. La perilla de control no está en la posición PILOTO. 7. Se agotó el suministro de gas (gas propano/LP únicamente). 	<ol style="list-style-type: none"> 1. Abra el suministro de gas o la válvula de cierre del equipo. 2. Presione la perilla de control del todo al pulsar el botón de encendido. 3. Mantenga presionada la perilla de control. Repita el encendido hasta que se haya eliminado el aire. 4. Limpie el piloto/ODS (consulte <i>Cuidado y mantenimiento</i>, en la página 57) o cambie el ensamble del piloto/ODS. 5. Revise la presión de entrada de gas o remplace el regulador de entrada de gas. 6. Gire la perilla de control a la posición PILOTO. 7. Comuníquese con la compañía local de gas propano/LP.

SOLUCIÓN DE PROBLEMAS

Problema	Causa Posible	Acción correctiva
El piloto/ODS se enciende pero la llama se extingue cuando la perilla de control se suelta.	<ol style="list-style-type: none"> 1. La perilla de control no está presionada completamente. 2. La perilla de control no se presionó durante el tiempo suficiente. 3. La válvula de cierre del equipo no está totalmente abierta. 4. La conexión del termopar está floja en la válvula de control. 5. La llama del piloto no está tocando el termopar, lo que hace que el termopar se enfríe y ocasiona que la llama del piloto se extinga. Este problema puede ser ocasionado por alguna de las siguientes condiciones o por ambas: A) Baja presión del gas B) El piloto/ODS está sucio o parcialmente tapado 6. El termopar está dañado. 7. La válvula de control está dañada. 	<ol style="list-style-type: none"> 1. Presione la perilla de control completamente. 2. Después de que el piloto/ODS se encienda, mantenga la perilla de control presionada durante 30 segundos. 3. Abra la válvula de cierre del equipo totalmente. 4. Apriete con la mano hasta que sienta que topa, luego apriete 1/4 de vuelta más. 5. A) Comuníquese con la compañía local de gas natural o de gas propano/LP B) Limpie el piloto/ODS (consulte <u>Cuidado y mantenimiento</u>, en la página 57) o remplace el ensamble del piloto/ODS. 6. Remplace el termopar. 7. Remplace la válvula de control.
El quemador no se enciende después de que el piloto/ODS se enciende.	<ol style="list-style-type: none"> 1. El orificio del quemador está tapado. 2. El diámetro del orificio del quemador es demasiado pequeño. 3. La entrada de la presión de gas es demasiado baja. 	<ol style="list-style-type: none"> 1. Limpie el quemador (consulte <u>Cuidado y mantenimiento</u>, en la página 57) o remplace el quemador. 2. Remplace el orificio del quemador. 3. Contacte a su proveedor local de gas.
Encendido demorado del quemador.	<ol style="list-style-type: none"> 1. La presión del tubo múltiple es muy baja. 2. El orificio del quemador está tapado. 	<ol style="list-style-type: none"> 1. Contacte a su proveedor local de gas. 2. Limpie el quemador (consulte <u>Cuidado y mantenimiento</u>, en la página 57) o remplace el orificio del quemador.
El quemador presenta llamas de retorno durante la combustión.	<ol style="list-style-type: none"> 1. El orificio del quemador está tapado o dañado. 2. El quemador está dañado. 3. El regulador de gas está defectuoso. 	<ol style="list-style-type: none"> 1. Limpie el quemador (consulte <u>Cuidado y mantenimiento</u>, en la página 57) o remplace el orificio del quemador. 2. Remplace el quemador. 3. Remplace el regulador de gas.

SOLUCIÓN DE PROBLEMAS

Problema	Causa Posible	Acción correctiva
Llamas amarillas alta durante la combustión en el quemador.	<ol style="list-style-type: none"> 1. No hay suficiente aire. 2. El regulador de gas está defectuoso. 3. La entrada de la presión de gas es demasiado baja. 	<ol style="list-style-type: none"> 1. Revise el quemador en busca de polvo y residuos. Si los hay, limpie el quemador (consulte <u>Cuidado y mantenimiento</u>, en la página 57). 2. Remplace el regulador de gas. 3. Contacte a su proveedor local de gas.
Hay olor a gas durante la combustión.	<ol style="list-style-type: none"> 1. Hay material extraño entre la válvula de control y el quemador. 2. Fugas de gas. Consulte la anotación de Advertencia, página 59. 	<ol style="list-style-type: none"> 1. Comuníquese con un técnico de servicio capacitado para eliminar los materiales extraños. 2. Localice y repare todas las fugas (consulte <u>Revisión de las conexiones de gas</u>, en la página 51).
Hay un poco de humo u olor durante el funcionamiento inicial.	<ol style="list-style-type: none"> 1. Residuos del proceso de manufactura y ahumado del leño. 	<ol style="list-style-type: none"> 1. El problema desaparecerá después de algunas horas de funcionamiento.
El calentador produce un silbido cuando el quemador está encendido.	<ol style="list-style-type: none"> 1. Se giró la perilla de control a la posición alto (5) cuando el quemador estaba frío. 2. Hay aire en la tubería de gas. 3. Los pasajes de aire del calentador están bloqueados. 4. El orificio del quemador está sucio o parcialmente obstruido. 	<ol style="list-style-type: none"> 1. Gire la perilla de control a la posición bajo (1) y deje que se caliente durante un minuto. 2. Haga funcionar el quemador hasta que se elimine el aire de la tubería. Pida a la empresa proveedor local de gas que revise la línea de gas. 3. Respete las distancias mínimas de instalación (consulte Figura 4, página 43) 4. Limpie el quemador (consulte <u>Cuidado y mantenimiento</u>, en la página 57) o remplace el orificio del quemador.
El calentador produce un ruido de chasquidos o golpeteos metálicos justo después de que el quemador se enciende o se apaga.	<ol style="list-style-type: none"> 1. Los metales se dilatan al calentarse y se contraen al enfriarse. 	<ol style="list-style-type: none"> 1. Esto es normal en la mayoría de los calentadores. Si el ruido es excesivo, comuníquese con una persona de servicio capacitada.
Se forma un residuo de polvo blanco dentro de la caja del quemador o en las paredes o muebles contiguos.	<ol style="list-style-type: none"> 1. Cuando se calientan, los vapores provenientes de los pulidores de muebles, cera, limpiadores de alfombras, etc., pueden convertirse en residuos de polvo blanco. 	<ol style="list-style-type: none"> 1. Apague la calentador cuando utilice pulidores de muebles, ceras, limpiadores de alfombras o productos parecidos.

SOLUCIÓN DE PROBLEMAS

Problema	Causa Posible	Acción correctiva
El calentador produce olores no deseados.	<ol style="list-style-type: none"> 1. En el calentador se están quemando vapores provenientes de pintura, fijador para el cabello, pegamentos, productos de limpieza, productos químicos, alfombras nuevas, etc. (Consulte la nota IMPORTANTE página 59). 2. Fugas de gas. Consulte la anotación de Advertencia, página 59. 3. Hay poco suministro de combustible. 	<ol style="list-style-type: none"> 1. Abra la ventana para ventilar la habitación. Deje de utilizar los productos que ocasionan el olor mientras el calentador esté funcionando. 2. Localice y repare todas las fugas (consulte <u>Revisión de las conexiones de gas</u>, en la página 51). 3. Surta nuevamente el tanque de suministro (gas propano/LP únicamente).
El calentador se apaga mientras se está usando (el ODS funciona).	<ol style="list-style-type: none"> 1. No hay suficiente aire fresco. 2. Hay poca presión en la tubería. 3. El piloto/ODS está parcialmente tapado. 	<ol style="list-style-type: none"> 1. Abra la ventana y/o la puerta para proporcionar ventilación. 2. Contacte a su proveedor local de gas. 3. Limpie el piloto/ODS (consulte <u>Cuidado y mantenimiento</u>, en la página 57).
Hay olor a gas incluso cuando la perilla de control está en la posición OFF (apagado).	<ol style="list-style-type: none"> 1. Fugas de gas. Consulte la anotación de Advertencia, página 59. 2. La válvula de control está defectuosa. 	<ol style="list-style-type: none"> 1. Localice y repare todas las fugas (consulte <u>Revisión de las conexiones de gas</u>, en la página 51). 2. Remplace la válvula de control.
Se observa humedad o condensación en las ventanas.	<ol style="list-style-type: none"> 1. No hay suficiente aire para combustión o ventilación. 	<ol style="list-style-type: none"> 1. Consulte los requisitos de <u>Aire Para Combustión y Ventilación</u>, página 40.

CONSEJOS PARA SERVICIO

Cuando la presión del gas de entrada sea muy baja

- El piloto no permanecerá encendido.
- El quemador tendrá un retraso durante el encendido.
- El calentador no producirá el calor especificado.
- El suministro de gas propano/LP puede ser bajo.

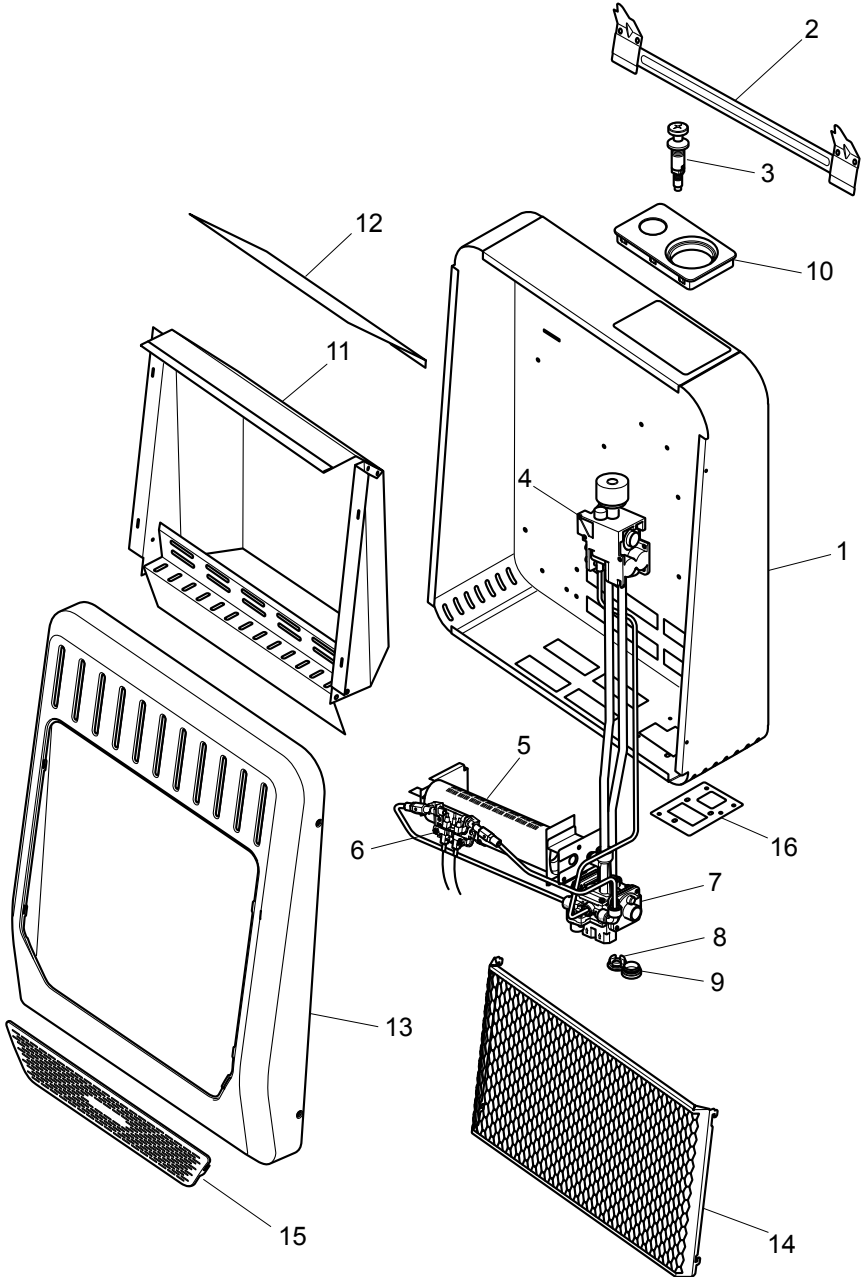
Possiblemente piense que la presión del gas es muy baja. Si es así, comuníquese con el proveedor local de gas.

SERVICIO TÉCNICO

Es posible que tenga preguntas adicionales sobre la instalación, el funcionamiento o la solución de problemas. De ser así, póngase en contacto con ProCom Heating, Inc. al 1-866-573-0674. Al llamar tenga a la mano los números de modelo y serie de su calentador.

PIEZAS

MODELO MG10TBF



PIEZAS

MODELO MG10TBF

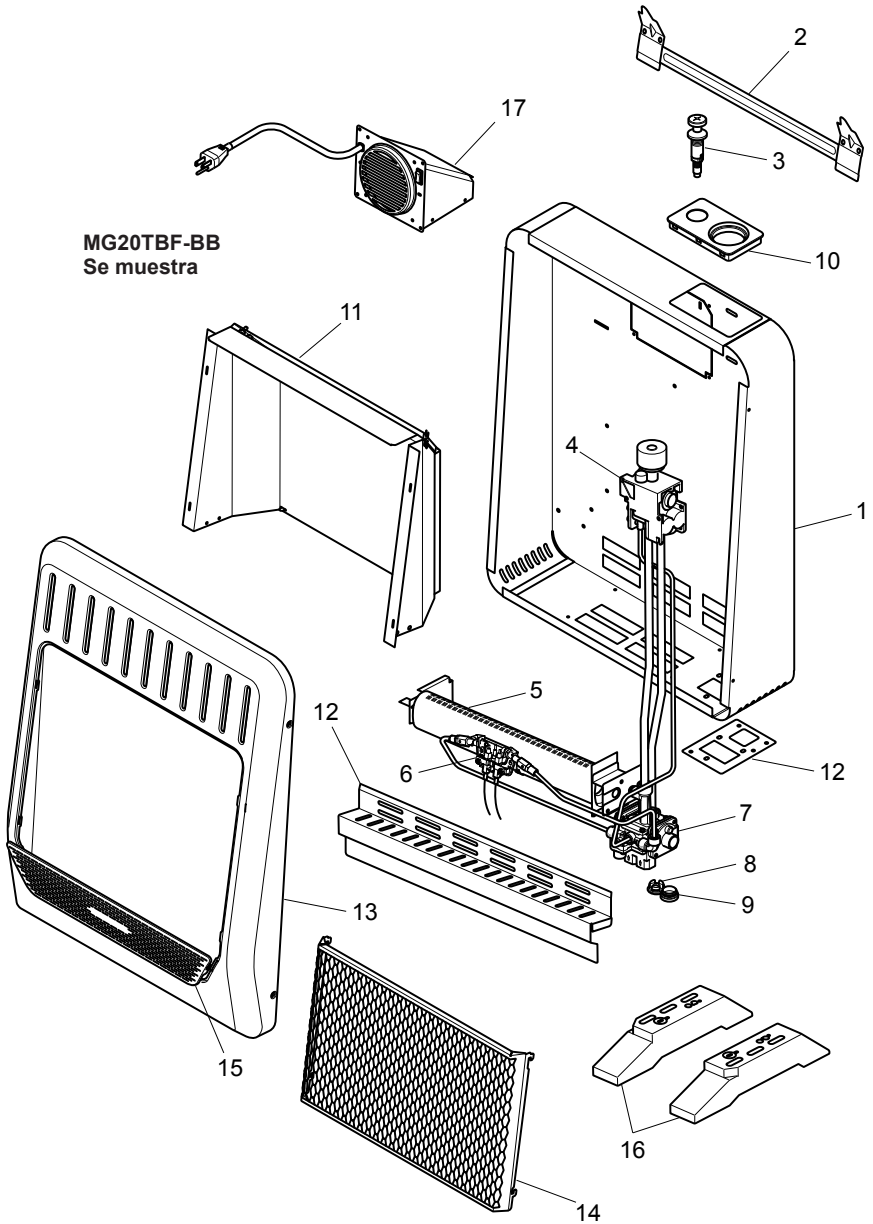
Esta lista contiene las piezas reemplazables utilizadas en el calentador. Al hacer un pedido de piezas, siga las instrucciones listadas en Piezas de repuesto en la página 68 de este manual.

Art.	MG10TBF	Descripción	Cant.
1	**	Parte trasera del cuerpo	1
2	161132-01	Abrazadera de montaje	1
3	161133-01	Encendedor piezoeléctrico	1
4	161130-01	Conjunto de válvula de termostato	1
5	**	Conjunto de quemador	1
6	161139-02	Piloto/ODS	1
7	**	Regulador de seguridad de combustible dual	1
8	161200-01	Entrada cubierta del enchufe	1
9	160960-01	Casquillo con el sello	1
10	**	Bezel, control del termostato	1
11	**	Conjunto del reflector	1
12	**	Arriba Reflector	1
13	**	Conjunto de panel frontal	1
14	160528-01HT	Rejilla	1
15	160598-01HT	Bajo Malla rejilla	1
16	**	Gabinete soporte	1
PIEZAS DISPONIBLES - NO SE MUESTRAN			
	161607-01	Hardware paquete	1
	161605-01	Clip de bulbo sensor termostato	2

** No es una pieza que se pueda reemplazar en el sitio.

PIEZAS

MODELOS MG20TBF Y MG30TBF MG20TBF-BB Y MG30TBF-BB



PIEZAS

MODELOS MG20TBF Y MG30TBF MG20TBF-BB Y MG30TBF-BB

Esta lista contiene las piezas reemplazables utilizadas en el calentador. Al hacer un pedido de piezas, siga las instrucciones listadas en Piezas de repuesto en la página 68 de este manual.

Art.	MG20TBF	MG30TBF	MG20TBF-BB	MG30TBF-BB	Descripción	Cant
1	**	**	**	**	Parte trasera del cuerpo	1
2	161132-01	161562-01	161132-01	161562-01	Abrazadera de montaje	1
3	161133-01	161133-01	161133-01	161133-01	Encendedor piezoeléctrico	1
4	161130-01	161130-01	161130-01	161130-01	Conjunto de válvula de termostato	1
5	**	**	**	**	Conjunto de quemador	1
6	161139-01	161139-01	161139-01	161139-01	Piloto/ODS	1
7	**	**	**	**	Regulador de combustible dual	1
8	161200-01	161200-01	161200-01	161200-01	Entrada cubierta del enchufe	1
9	160960-01	160960-01	160960-01	160960-01	Casquillo con el sello	1
10	**	**	**	**	Bezel, control del termostato	1
11	**	**	**	**	Conjunto del reflector	1
12	**	**	**	**	Gabinete soporte	1
13	**	**	**	**	Conjunto de panel frontal	1
14	161142-01	161565-01	161142-01	161565-01	Rejilla	1
15	161596-01HT	161222-01HT	161596-01HT	161222-01HT	Bajo malla rejilla	1
16	*	*	161555-01	161555-01	Soporte de suelo montaje	1
17	*	*	MGB100	MGB100	Accesorio de ventilador	1
PIEZAS DISPONIBLES - NO SE MUESTRAN						
	161607-01	161607-01	161607-01	161607-01	Hardware paquete	1
	161605-01	161605-01	161605-01	161605-01	Clip de bulbo sensor termostato	2

* Parte es un accesorio opcional para este modelo.

** No es una pieza que se pueda reemplazar en el sitio.

PIEZAS DE REPUESTO

Nota: use sólo piezas de repuesto originales. Esto protegerá la cobertura de su garantía para partes reemplazadas bajo la garantía.

PIEZAS CON GARANTÍA

Comuníquese con los distribuidores autorizados de este producto. Si no pueden proporcionarle las piezas originales de repuesto, llame gratis al Departamento de Servicio al Cliente al 1-866-573-0674 para obtener información de referencia.

Cuando llame a Servicio al Cliente, tenga preparados:

- su nombre,
- su dirección

- los números de modelo y de serie de su calentador,
- la falla del calentador,
- El tipo de gas utilizado (propano/PL o gas natural/GN)
- la fecha de compra

Por lo general, le pediremos que devuelva la pieza a la fábrica.

PIEZAS SIN GARANTÍA

Comuníquese con los distribuidores autorizados de este producto. Si no pueden suministrarle piezas de repuesto originales, llame gratis al Departamento de Servicio al Cliente al 1-866-573-0674 para obtener información de referencia.

Cuando llame a Servicio al Cliente, tenga preparados:

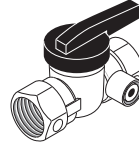
- los números de modelo y de serie de su calentador,
- el número de la pieza de repuesto.

ACCESORIOS

Adquiera estos accesorios con su distribuidor local. Si no pueden proporcionarle estos accesorios, comuníquese ProCom Heating, Inc. al 1-866-573-0674 para obtener información.

VÁLVULA DE INTERRUPCIÓN DE EQUIPOS

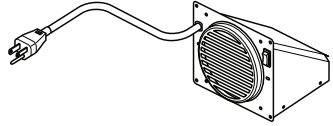
Para todos los modelos. Válvula de interrupción de equipos con 1/8". Llave de paso del TNP.



KIT OPCIONAL FAN - MGB100

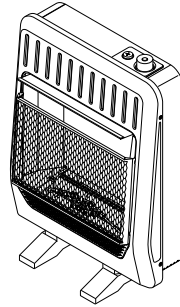
Kit de ventilador es opcional para los modelos MG20TBF y MG30TBF. Viene instalado en los modelos MG20TBF-BB y MG30TBF-BB. El ventilador tiene 3 ajustes de AUTO/OFF/MAN.

Por favor refiérase a las instrucciones MGB100.



SOPORTE DE SUELO MONTAJE

Para la localización de calentador en el suelo, lejos de una pared. las instrucciones de instalación proporcionadas con el soporte del montaje en el suelo.



NOTAS

GARANTÍA

GUARDE ESTA GARANTÍA

Modelo _____

Número de serie _____

Fecha de compra _____

Conserve su recibo para la verificación de la garantía.

REGISTRE SU PRODUCTO EN WWW.USAPROCOM.COM

IMPORTANTE: Le pedimos que registre su producto dentro de los 10 días de la fecha de instalación, lleve a cabo con el número de serie completa que se puede encontrar en la placa de características. Por favor llene la información anterior garantía para sus archivos personales. Conserve este manual para futuras consultas.

Siempre especifique números de serie y modelo cuando se comunique con servicio al cliente.

Nos reservamos el derecho a modificar estas especificaciones en cualquier momento sin previo aviso. La única garantía aplicable es nuestra garantía escrita estándar. No hacemos ninguna otra garantía, expresa o implícita.

GARANTÍA LIMITADA

ProCom Heating, Inc. garantiza que este producto está libre de defectos en materiales y componentes por un 1 año desde la fecha de la primera compra, siempre que el producto ha sido correctamente instalado por personal calificado de conformidad con todos los códigos locales e instrucciones de la unidad, operado y mantenido de conformidad con todas las instrucciones aplicables. Para hacer un reclamo bajo esta garantía, la factura de venta o cheque cancelado deberá presentarse.

RESPONSABILIDAD DEL PROPIETARIO

Esta garantía se extiende sólo al comprador original. Esta garantía cubre el costo de las piezas necesarias para restaurar este calentador y dejarlo en buen estado de funcionamiento. Las piezas de garantía deben obtenerse a través de ProCom Heating, Inc. que ofrece piezas originales de fábrica. No utilizar repuestos originales de fábrica anula esta garantía.

IMPORTANTE: El calentador debe ser instalado por un instalador calificado de acuerdo con todos los códigos locales y las instrucciones provistas con el equipo o la garantía quedará anulada.

LO QUE NO ESTÁ CUBIERTO

Esta garantía no se aplica a piezas que no están en condición original debido a desgaste normal o que o se dañen debido a mal uso, accidentes, falta de mantenimiento adecuado o defectos causados por la instalación incorrecta. Viajes, costo de diagnóstico, trabajo, transporte y todos los gastos relacionados con la reparación de un calentador defectuoso será responsabilidad del propietario.

EN LA MEDIDA PERMITIDA POR LA LEY DE LA JURISDICCIÓN QUE RIGE LA VENTA DEL PRODUCTO, ESTA GARANTÍA EXPRESA EXCLUYE CUALQUIERA Y TODAS LAS OTRAS GARANTÍAS EXPRESADAS Y LIMITA LA DURACIÓN DE CUALQUIER GARANTÍA IMPLÍCITA. INCLUYENDO LAS GARANTÍAS DE COMERCIALIZACIÓN Y ADECUACIÓN PARA UN PROPÓSITO PARTICULAR A 1 UN AÑO EN TODOS LOS COMPONENTES DE LA FECHA DE LA PRIMERA COMPRA. LA RESPONSABILIDAD DE PROCOM HEATING, INC. QUEDARÁ LIMITADA AL PRECIO DE COMPRA DEL PRODUCTO Y PRO-COM NO SERÁ RESPONSABLE POR CUALQUIER OTRO DAÑO INCLUYENDO DAÑOS INDIRECTOS. DAÑOS INCIDENTALES O CONSECUENTES.

Algunos Estados no permiten una limitación sobre cuánto tiempo una garantía implícita dura o una exclusión o limitación de daños fortuitos o consecuentes, la limitación anterior sobre las garantías implícitas o la exclusión o limitación de daños puede no aplicarse a usted.

Esta garantía le otorga derechos legales específicos, y usted también puede tener otros derechos que varían de Estado a estado.



ProCom Heating, Inc.
Bowling Green, KY 42101
www.usaprocom.com
1-866-573-0674

200300-01
Rev. B
11/16