

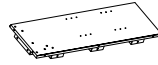
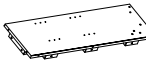











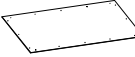



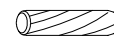




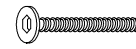

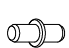
ASSEMBLY INSTRUCTIONS

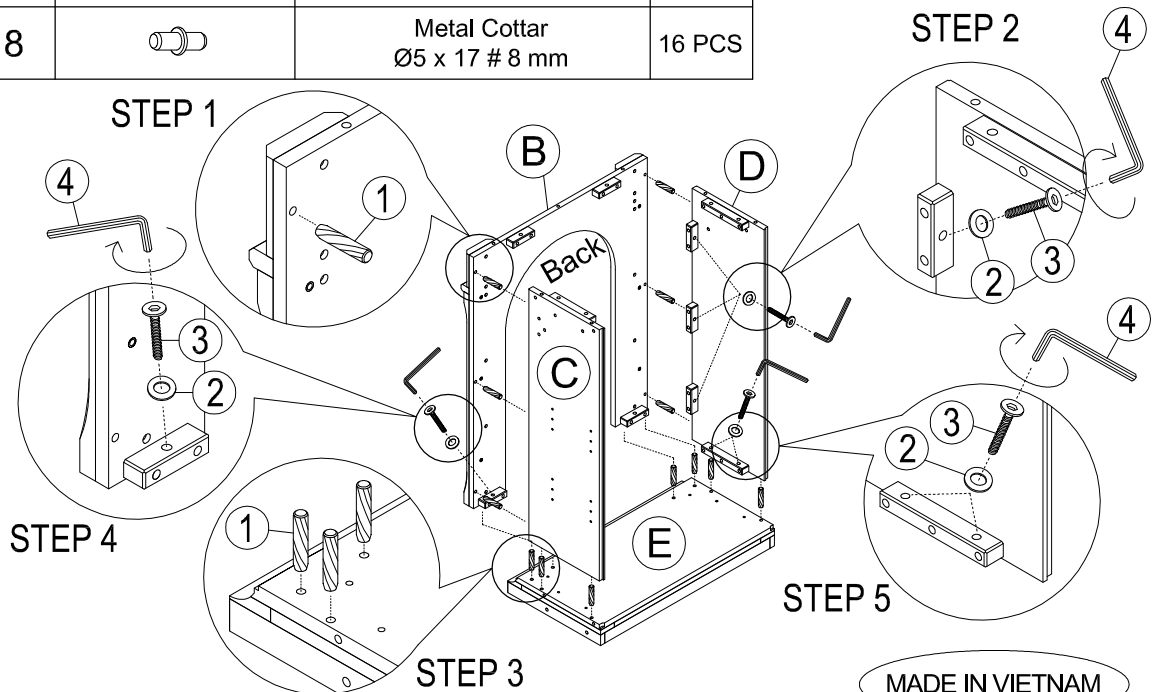
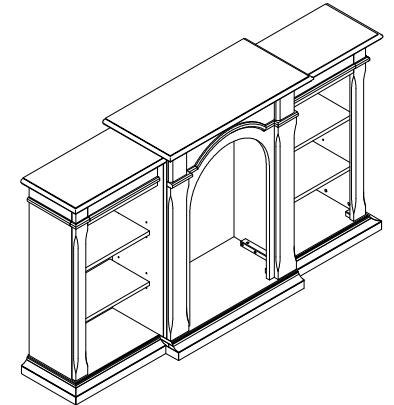
Model: CM150-2

COMPONENT LIST

No.	Drawing	Description	Q'TY
A		LARGE TOP PANEL	1 PC
B		LARGE FRONT PANEL	1 PC
C		LARGE RIGHT SIDE PANEL	1 PC
D		LARGE LEFT SIDE PANEL	1 PC
E		LARGE BOTTOM PANEL	1 PC
F		SMALL RIGHT TOP PANEL	1 PC
G		SMALL RIGHT HORIZONTAL FRONT PANEL	1 PC
H		SMALL RIGHT VERTICAL FRONT PANEL	1 PC
I		SMALL RIGHT SIDE PANEL	1 PC
J		SMALL RIGHT BOTTOM PANEL	1 PC
K		SMALL LEFT TOP PANEL	1 PC
L		SMALL LEFT HORIZONTAL FRONT PANEL	1 PC
M		SMALL LEFT VERTICAL FRONT PANEL	1 PC
N		SMALL LEFT SIDE PANEL	1 PC
O		SMALL LEFT BOTTOM PANEL	1 PC
P		LEFT & RIGHT BACK PANEL	2 PCS
Q		SHELVES PANEL	4 PCS

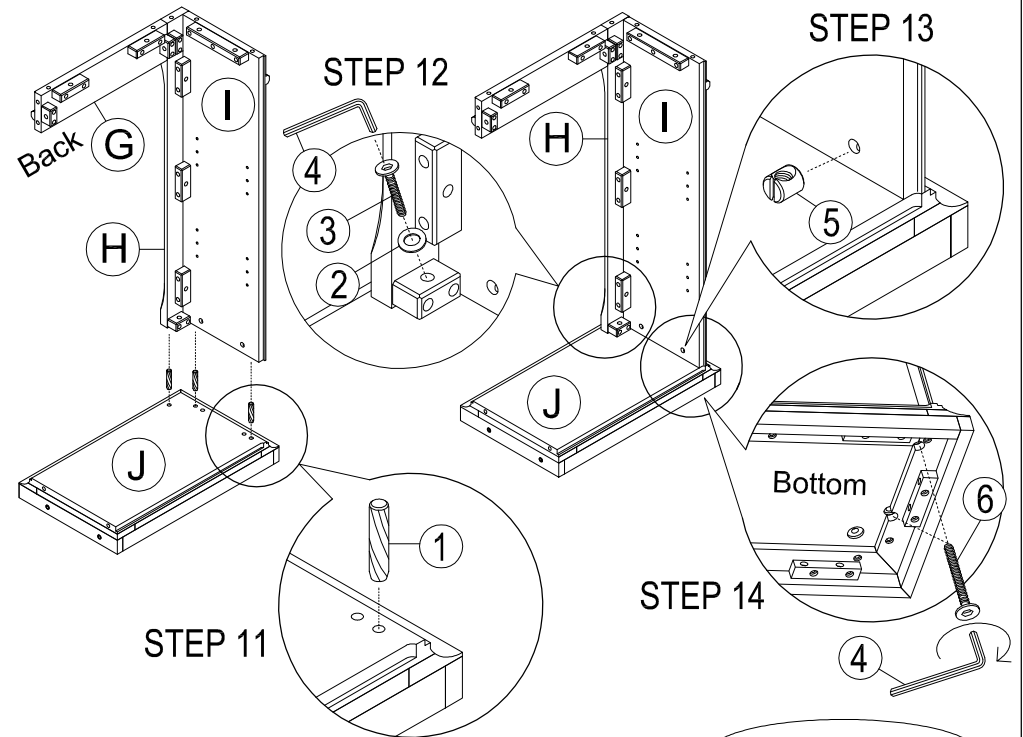
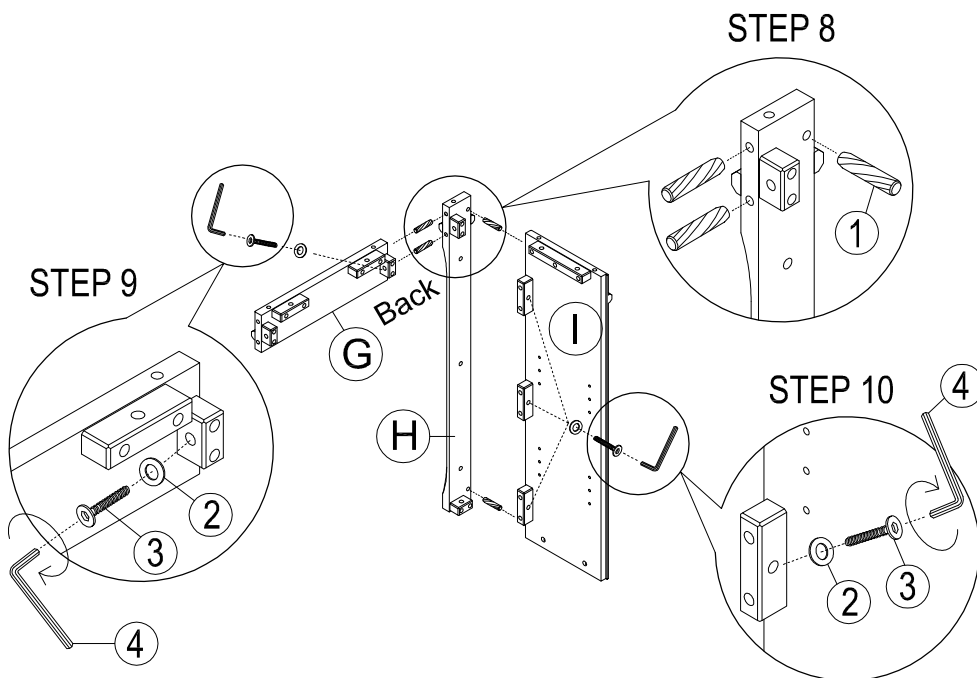
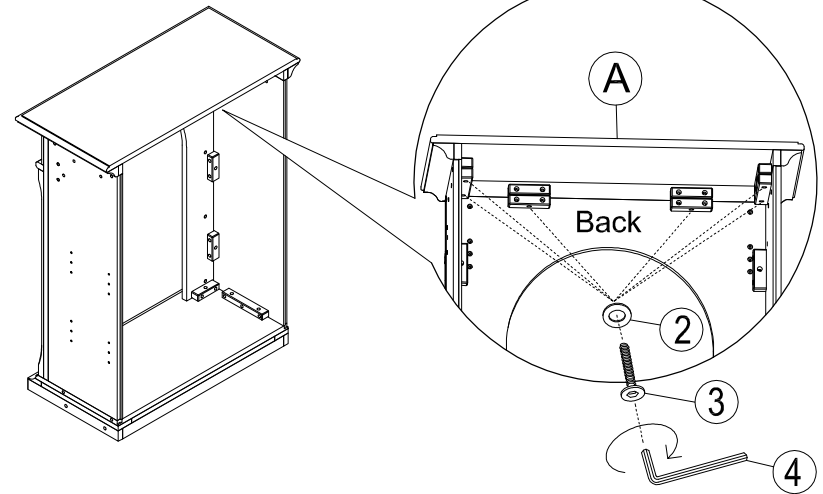
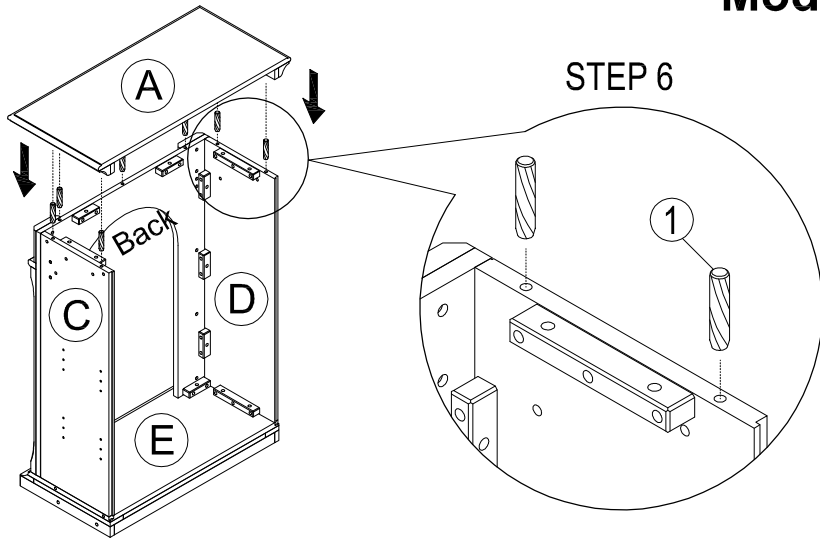
HARDWARE LIST

No.	Drawing	Description	Q'TY
1		Wood Dowel Φ8 x 30 mm	57 PCS
2		Flat Washer 8 x 16 x 1 mm	46 PCS
3		Allen Bolt 1/4 " x 32 # 13 mm	46 PCS
4		Allen Wrench 4 mm	1 PC
5		Metal Nut Ø10 x 11 mm	4 PCS
6		Allen Bolt 1/4 " x 40 # 13 mm	4 PCS
7		Screw 1/8 " x 12 mm	32 PCS
8		Metal Cottar Ø5 x 17 # 8 mm	16 PCS



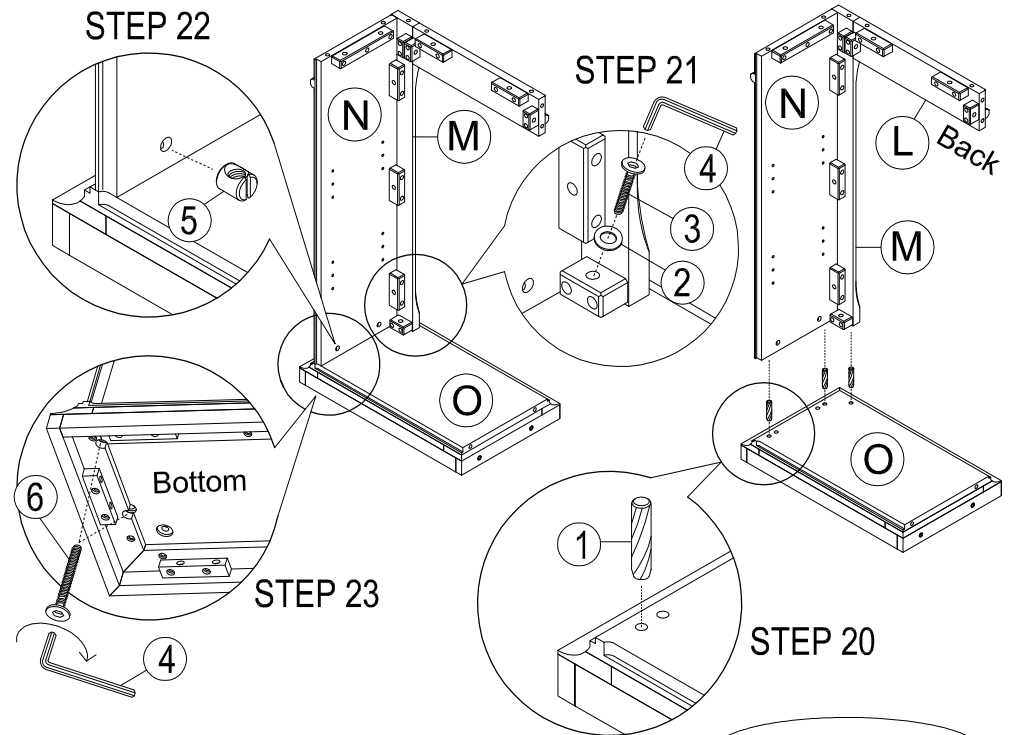
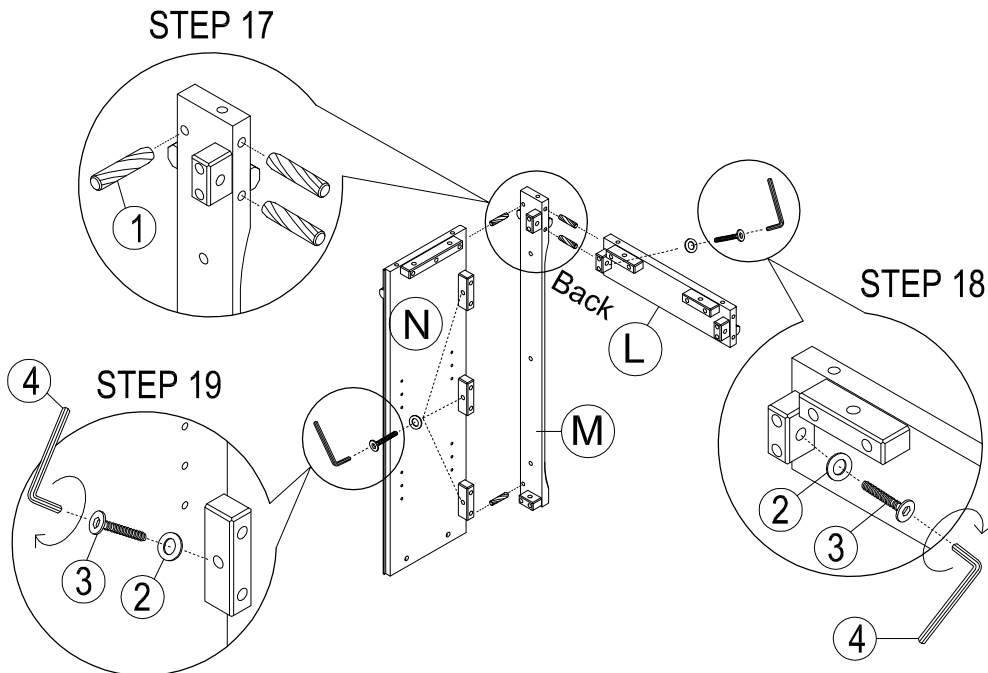
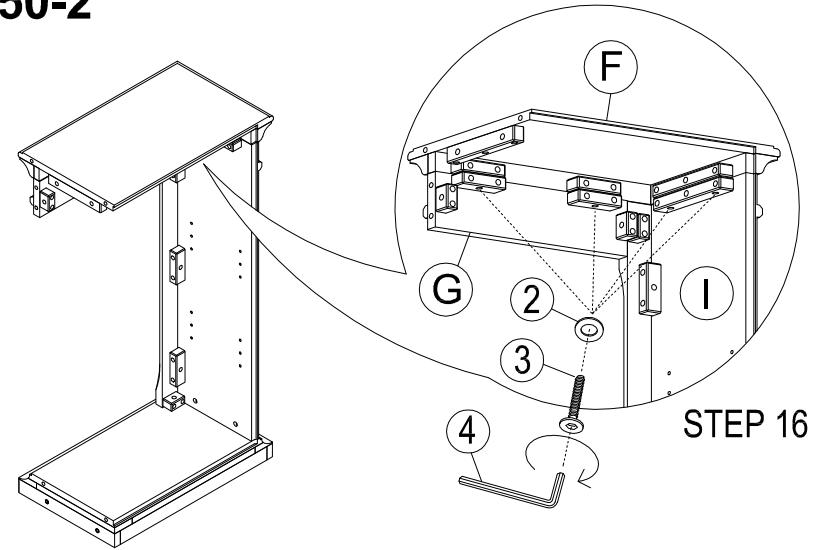
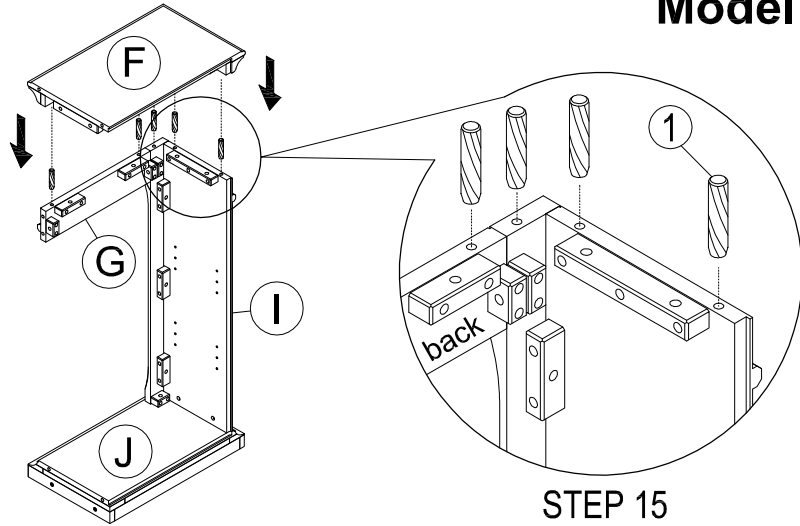
ASSEMBLY INSTRUCTIONS

Model: CM150-2



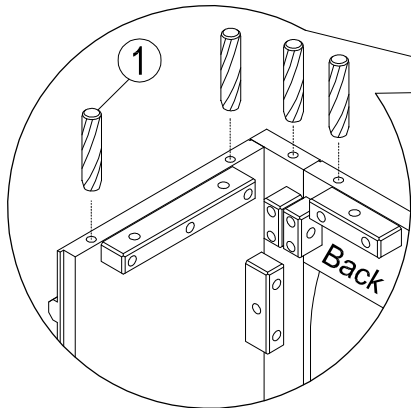
ASSEMBLY INSTRUCTIONS

Model: CM150-2

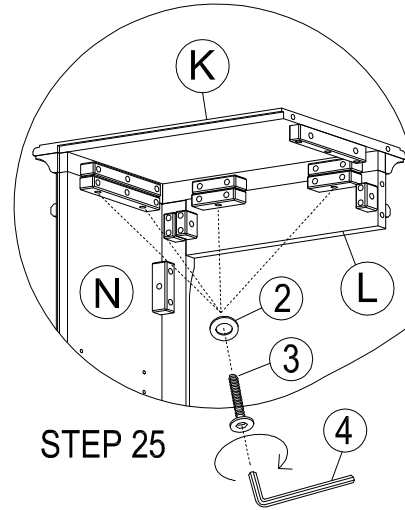
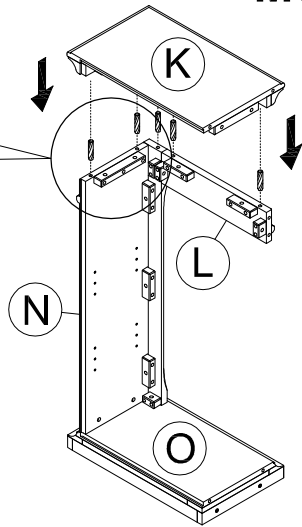


ASSEMBLY INSTRUCTIONS

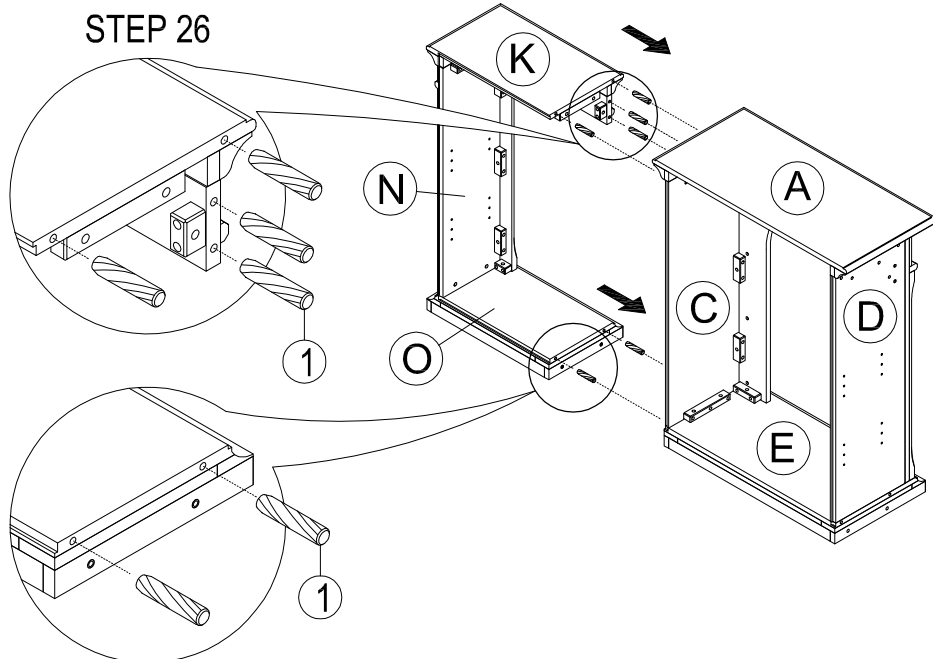
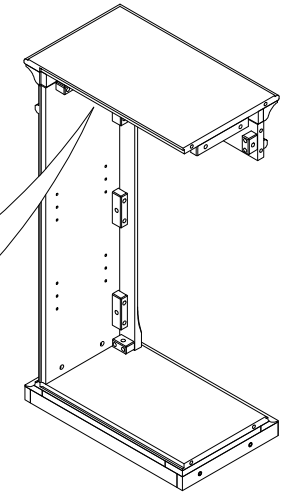
Model: CM150-2



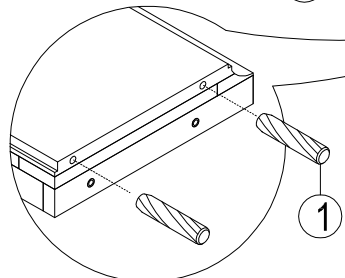
STEP 24



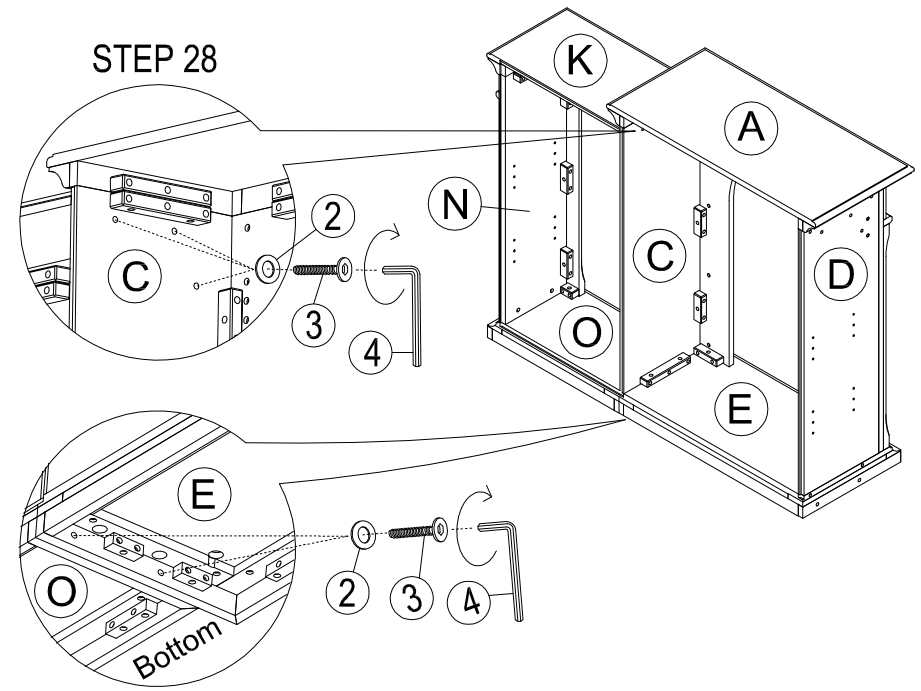
STEP 25



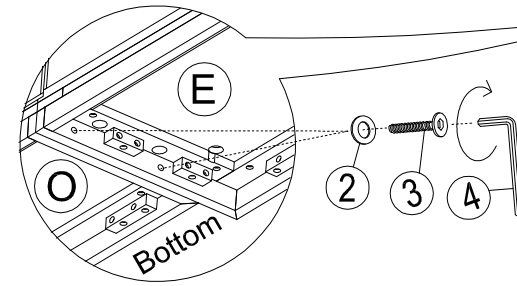
STEP 26



STEP 27



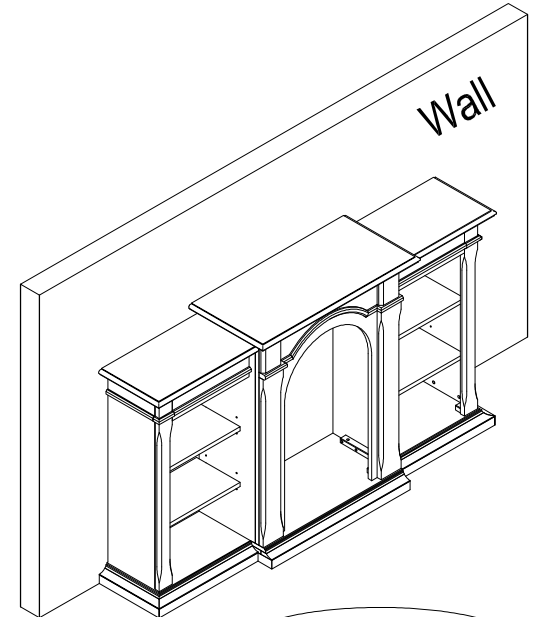
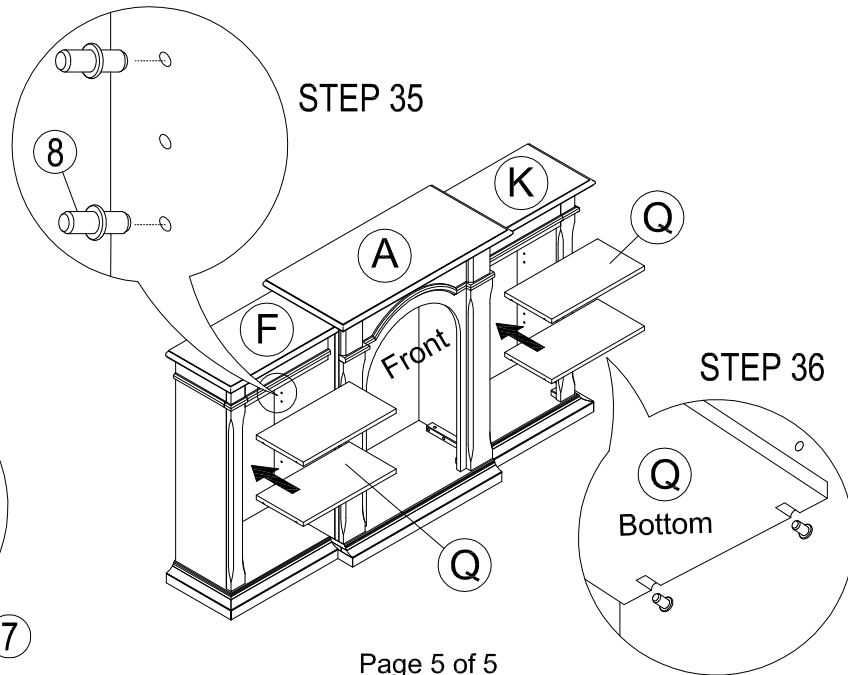
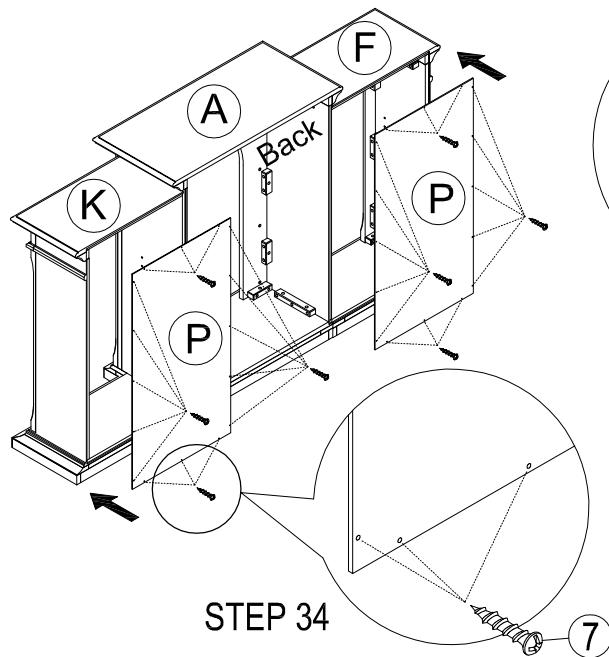
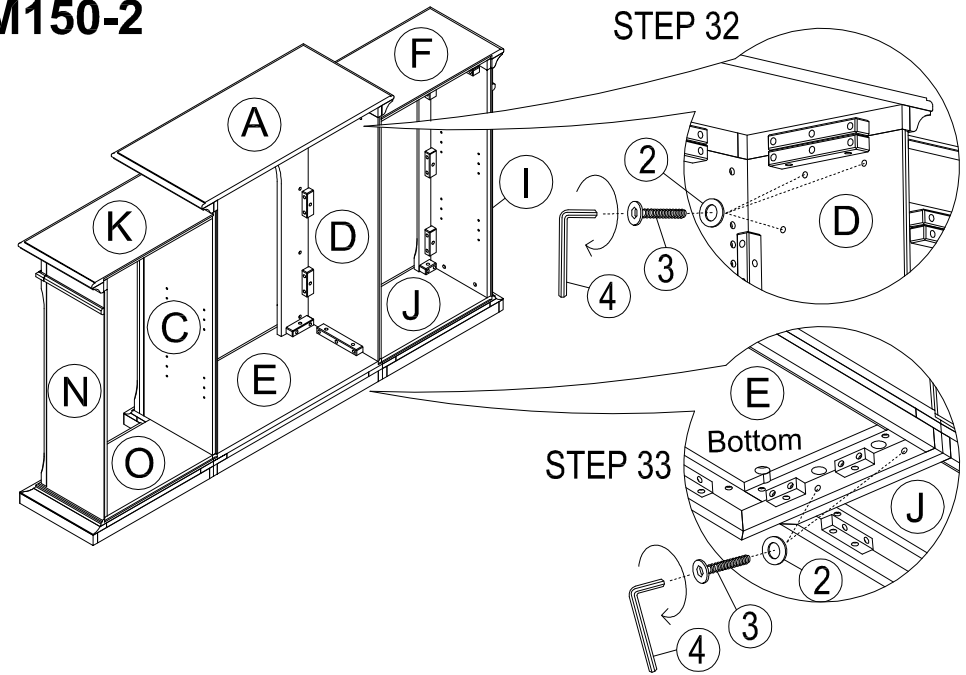
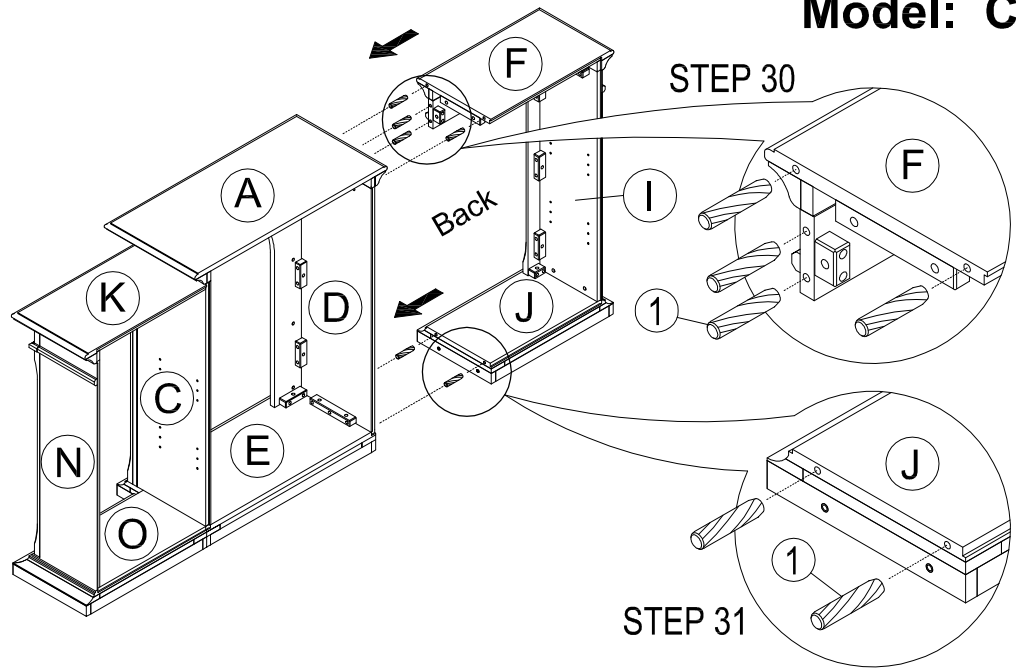
STEP 28



STEP 29

ASSEMBLY INSTRUCTIONS

Model: CM150-2



MADE IN VIETNAM