








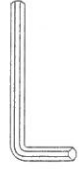


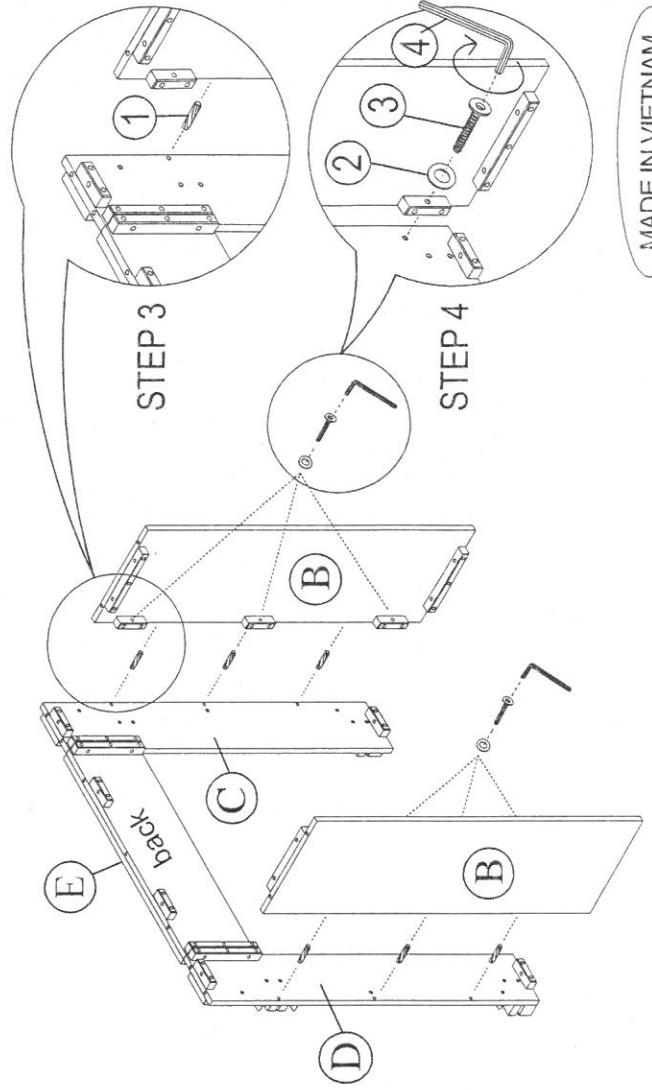
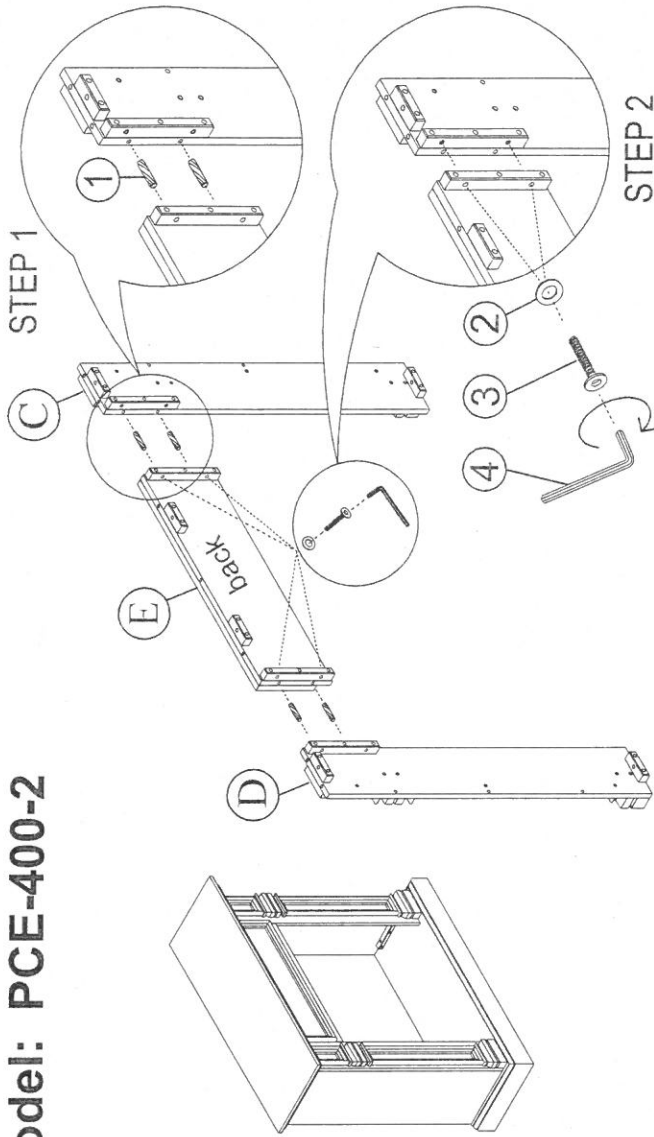
# ASSEMBLY INSTRUCTIONS

Model: PCE-400-2

COMPONENT LIST			
No.	Drawing	Description	Q'TY
A		TOP PANEL	1 PC
B		LEFT & RIGHT SIDE PANEL	2 PCS
C		LEFT FRONT PANEL	1 PC
D		RIGHT FRONT PANEL	1 PC
E		FRONT PANEL	1 PC
F		BOTTOM PANEL	1 PC

## HARDWARE LIST

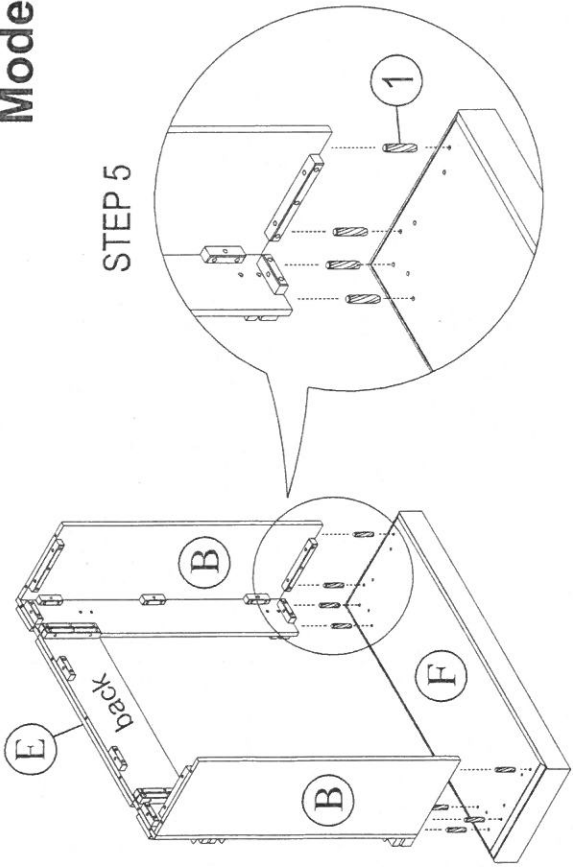
1		Wood Dowel Φ8 x 30 mm	29 PCS
2		Flat Washer 8 x 16 x 1 mm	24 PCS
3		Allen Bolt 1/4 " x 32 # 13 mm	24 PCS
4		Allen Wrench 4 mm	1 PC



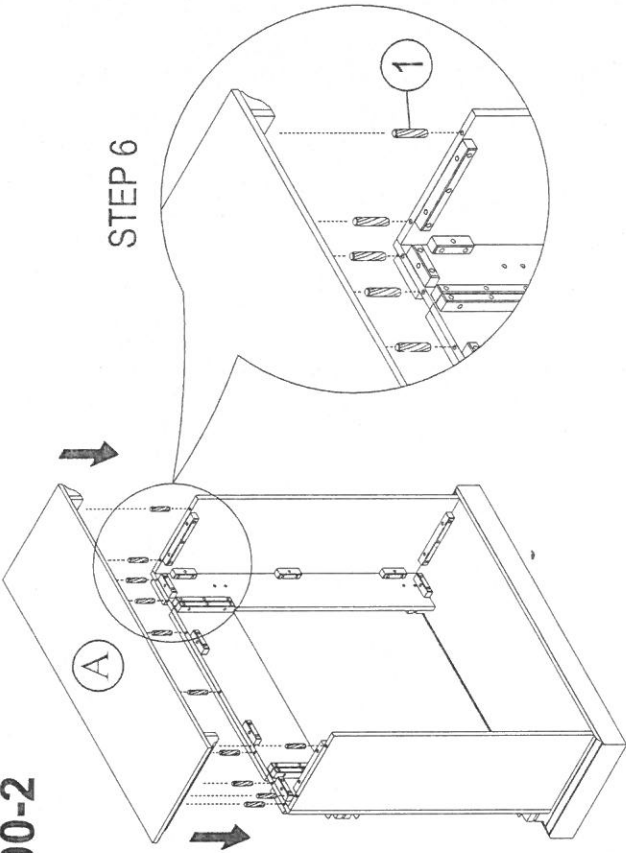
MADE IN VIETNAM

# ASSEMBLY INSTRUCTIONS

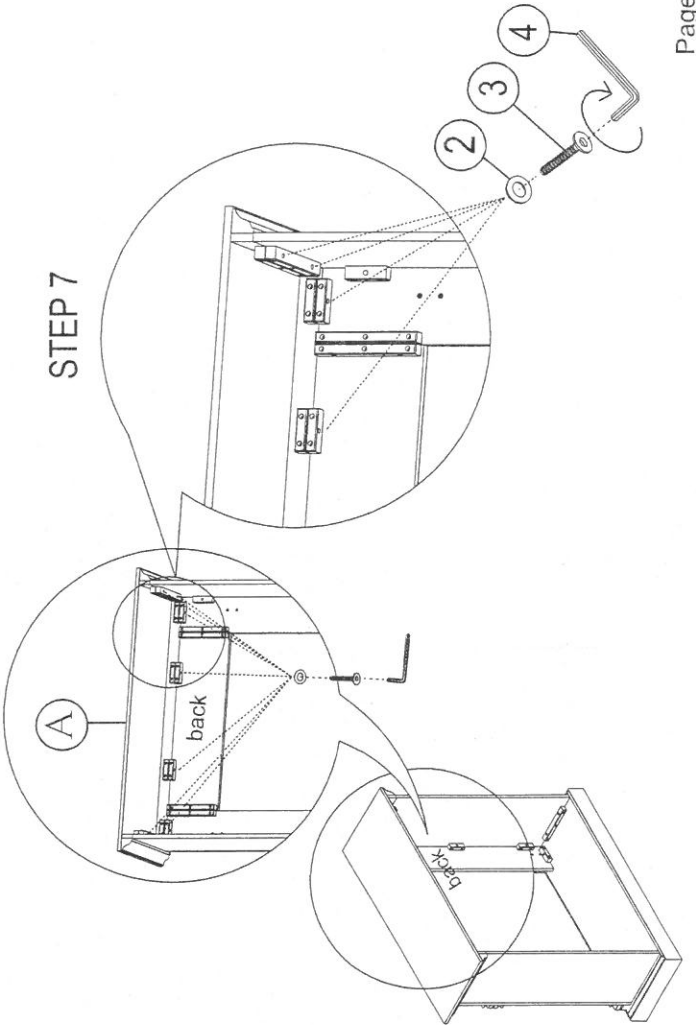
Model: PCE-400-2



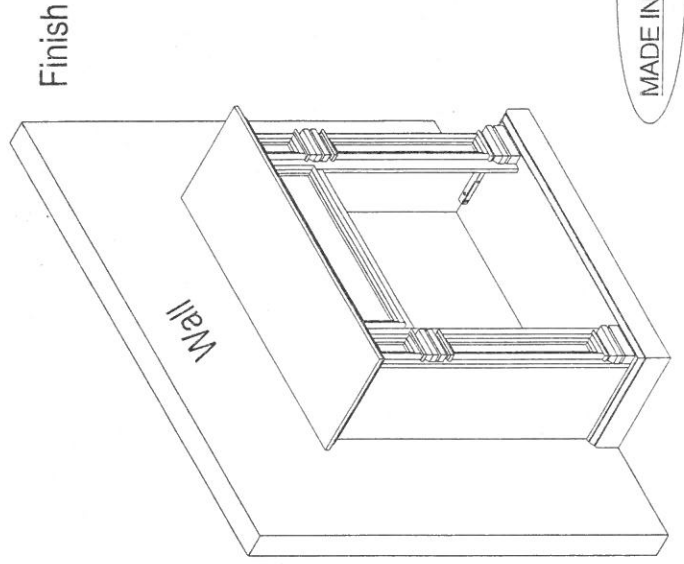
STEP 5



STEP 6



STEP 7



Finish

MADE IN VIETNAM