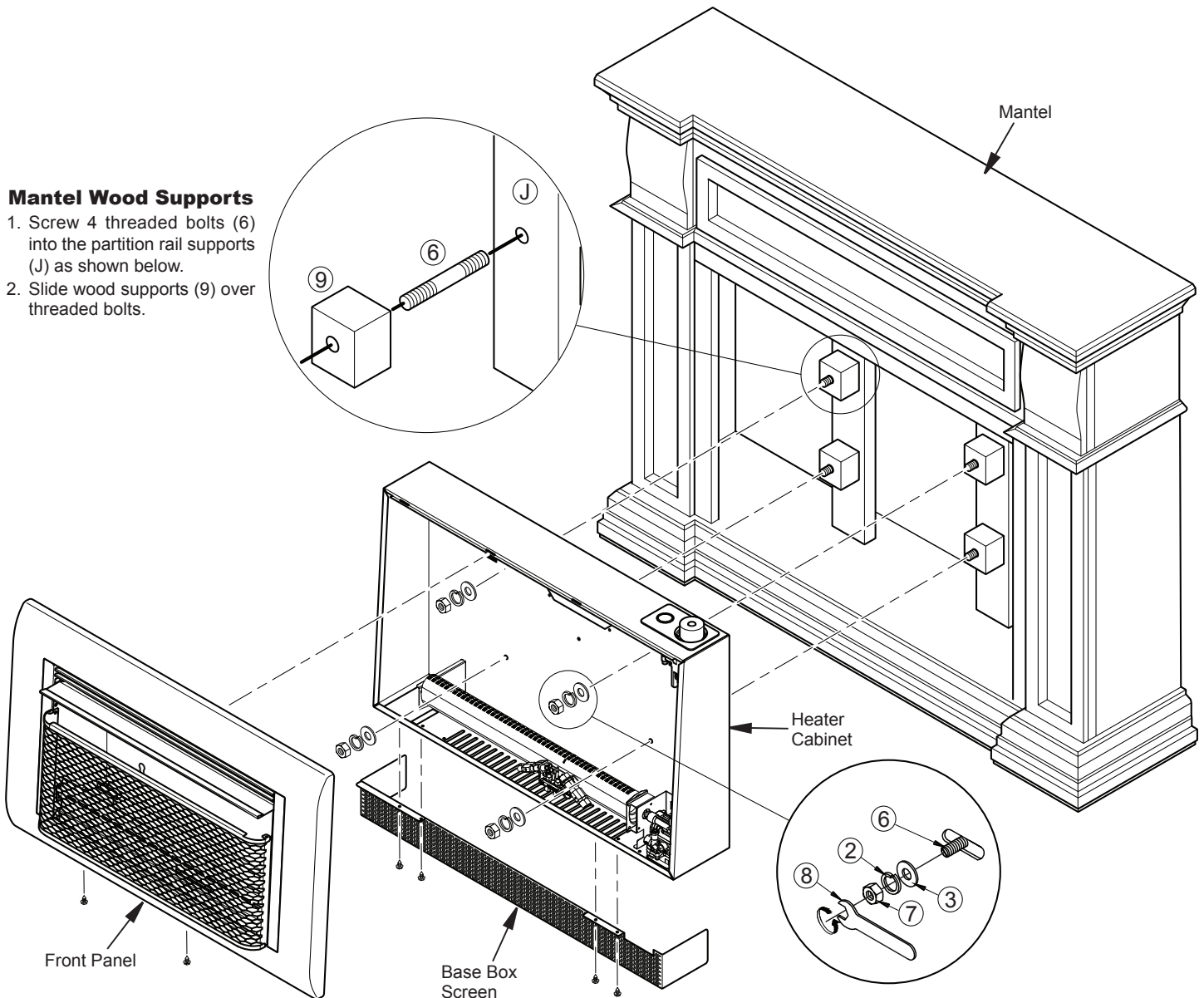


Vent-Free Gas Wall Fireplace

Easy Setup Guide

Please follow the instructions below if installing the wall fireplace model DF300L into the mantel. If you plan to mount model DF300L directly to the wall, following the instructions listed in the product manual.



Mantel Wood Supports

1. Screw 4 threaded bolts (6) into the partition rail supports (J) as shown below.
2. Slide wood supports (9) over threaded bolts.

Heater Cabinet

Front Panel

Base Box Screen

Removing Heater Front Panel

1. Remove 2 screws securing bottom of front panel to heater cabinet.
2. Carefully pull front panel out from the bottom and up, to slide tabs in the top of the front panel out of the slots in the top of the heater cabinet.

Installing Heater Into Mantel

1. Position heater cabinet over 4 threaded bolts installed above. See Illustration above.
2. Install a flat washer (3), spring washer (2) and hex nut (7) onto each of the 4 threaded bolts.

Installing Base Box Screen

Attach base box screen to the bottom of the heater cabinet with 4 screws.



**FACTORY
BUYS
DIRECT.COM**

Factory Buys Direct
2701 Industrial Drive
Bowling Green, KY 42101
1-855-607-6557

200400-02
Rev. A
03/18