
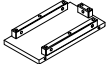





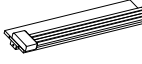
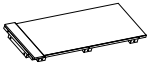
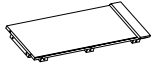



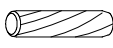



ASSEMBLY INSTRUCTIONS

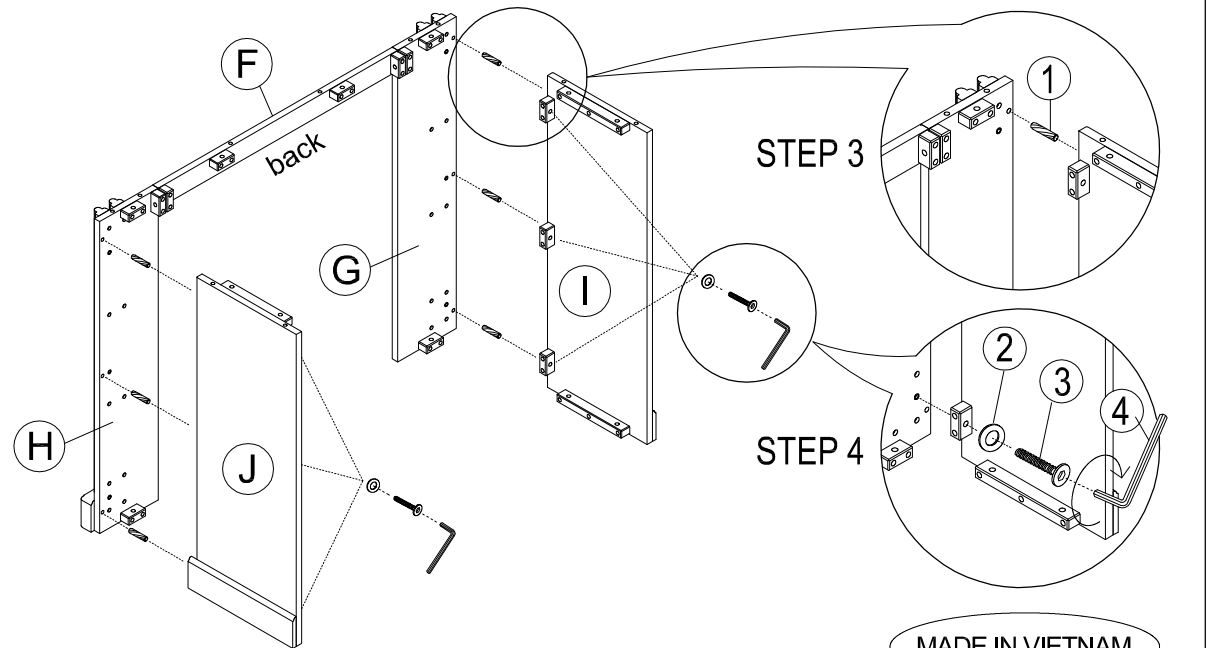
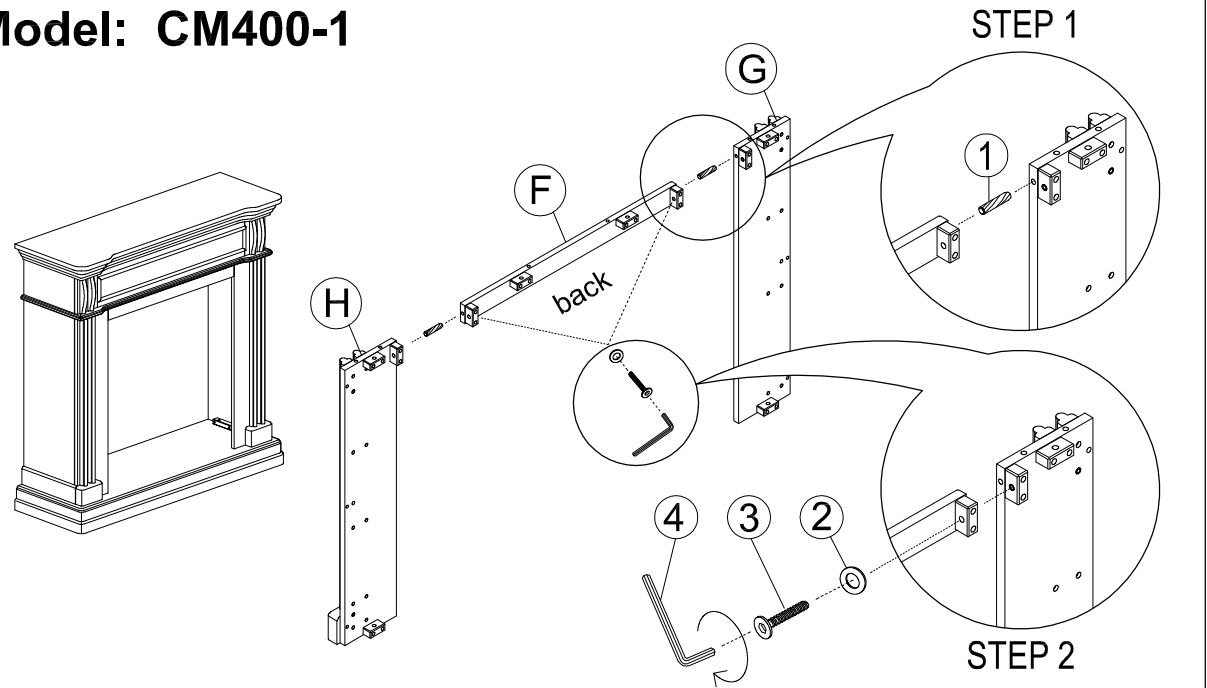
Model: CM400-1

COMPONENT LIST

No.	Drawing	Description	Q'TY
A		TOP PANEL	1 PC
B		LEFT & RIGHT SIDE SHORT PANEL	2 PCS
C		LEFT & RIGHT FRONT SHORT PANEL	2 PCS
D		FRONT PANEL	1 PC
E		FRAME PANEL	1 PC
F		FRONT SUPPORT	1 PC
G		LEFT FRONT LONG PANEL	1 PC
H		RIGHT FRONT LONG PANEL	1 PC
I		LEFT SIDE LONG PANEL	1 PC
J		RIGHT SIDE LONG PANEL	1 PC
K		BOTTOM PANEL	1 PC

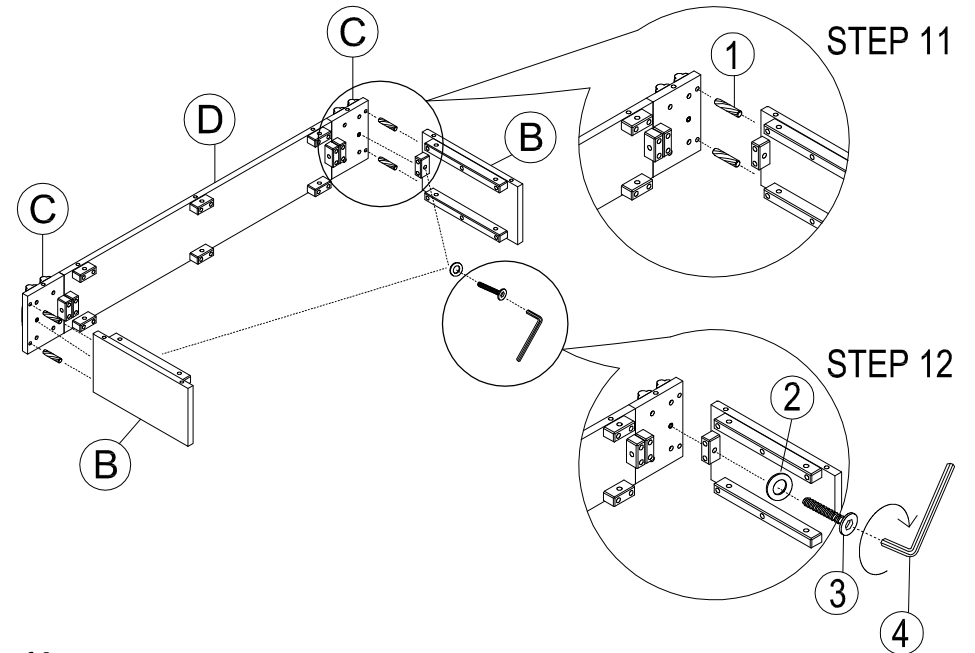
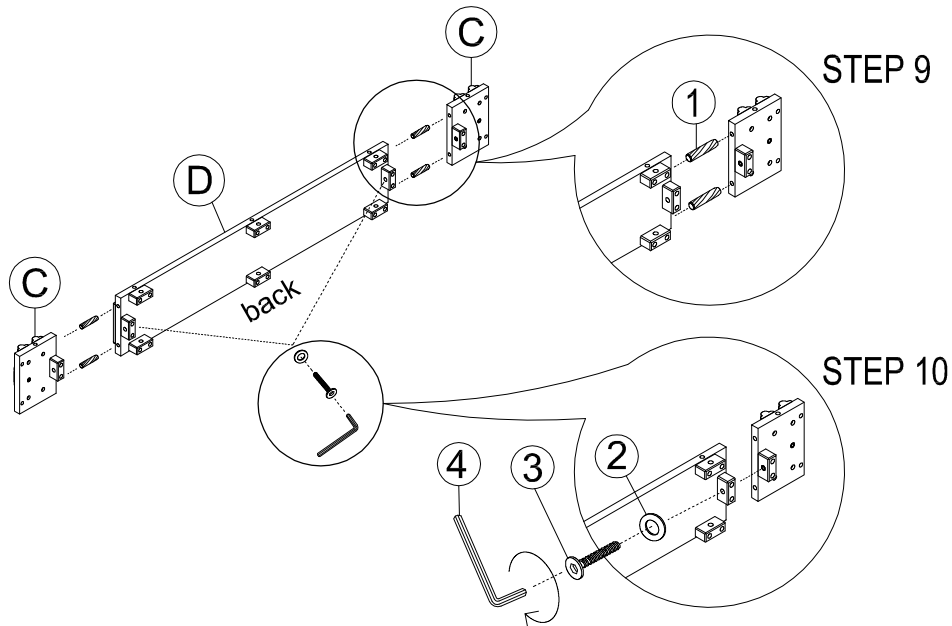
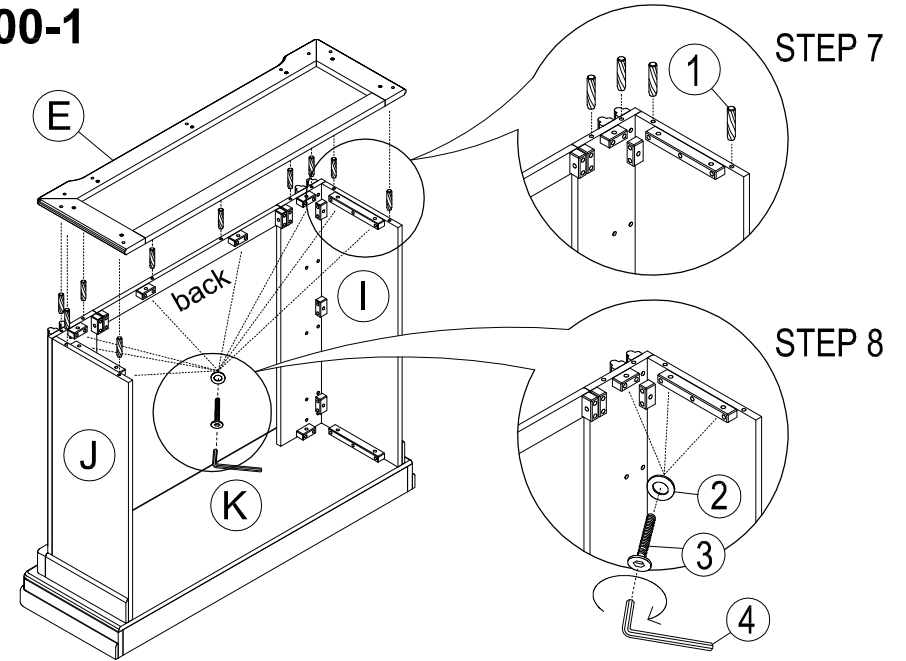
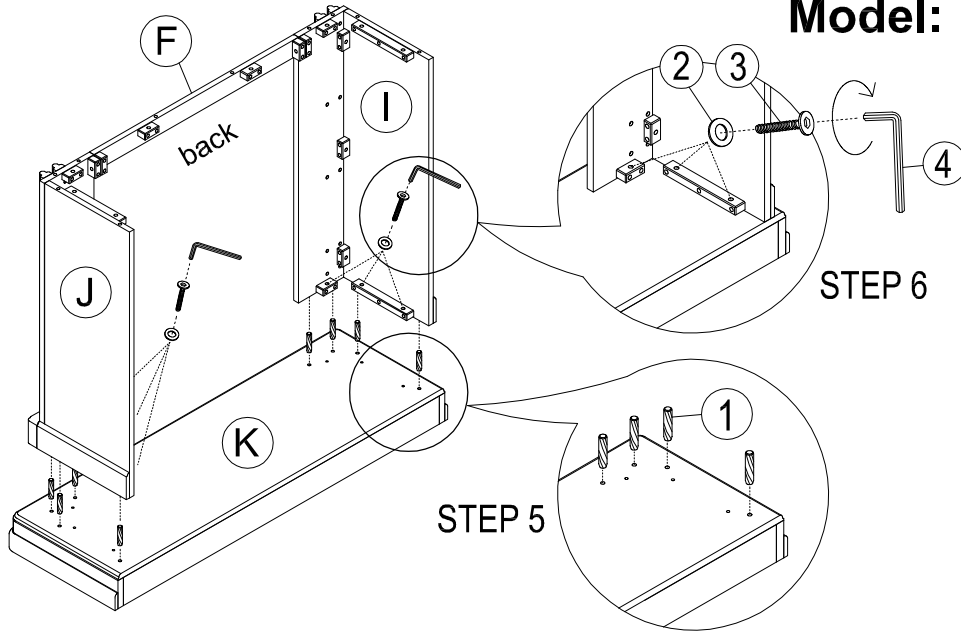
HARDWARE LIST

1		Wood Dowel Φ8 x 30 mm	52 PCS
2		Flat Washer 8 x 16 x 1 mm	40 PCS
3		Allen Bolt 1/4 " x 32 # 13 mm	40 PCS
4		Allen Wrench 4 mm	1 PC



ASSEMBLY INSTRUCTIONS

Model: CM400-1



ASSEMBLY INSTRUCTIONS

Model: CM400-1

