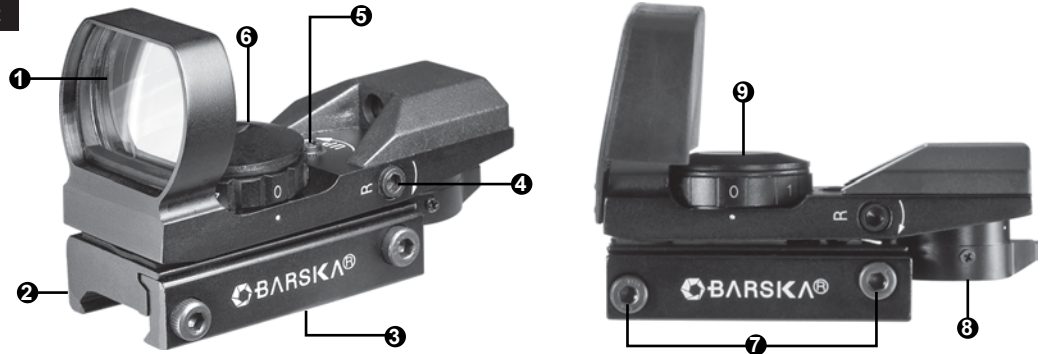


BARSKA® Multi-Reticle IR, Electro Sight

Parts of the Multi-Reticle IR, Electro Sight

1. Objective Lens
2. Weaver Picatinny Mounting Base
3. Clamping Plate
4. Windage Adjustment
5. Elevation Adjustment
6. Battery Compartment
7. Locking Nuts
8. Reticle Selector
9. Rheostat Knob



CAUTION

1. **BE SURE THAT THE FIREARM IS NOT LOADED. PRACTICE SAFE FIREARM HANDLING PROCEDURES AT ALL TIMES.**
2. **ALL DISCHARGING OF FIREARMS SHOULD BE DONE AT AN APPROVED RANGE OR EQUALLY SAFE AREA. USE OF EYE AND EAR PROTECTION IS RECOMMENDED.**
3. **DIRECT VIEWING OF THE SUN CAN CAUSE PERMANENT EYE DAMAGE. DO NOT ATTEMPT TO VIEW THE SUN DIRECTLY WITH EITHER THIS PRODUCT OR THE NAKED EYE.**

INSTALLING THE BATTERY

To install batteries, unscrew the Battery Compartment (6) and insert the one CR2032 3V Lithium battery positive ("+") side up. Replace the battery cover. If the reticle dims or does not illuminate at all, replace the batteries. Only use one CR2032 3V Lithium Battery.

MOUNTING YOUR ELECTRO SIGHT

Position the electro sight so that the Objective Lens (1) is facing in the same direction as the muzzle of the firearm. Provide at least three inches of clearance between your eye and the objective lens. Loosen each of the Locking Nuts (7). Align the integrated Weaver Picatinny Mounting Base (2) of the electro sight onto the rail of your firearm, and slide electro sight into place. Tighten each of the Locking Nuts (7).

WINDAGE AND ELEVATION

The Windage Adjustment (4) is located on the side of the sight. This adjusts the horizontal axis of the sight. The Elevation Adjustment (5) is located on the top of the sight. This adjusts the vertical axis of the sight.

Windage

Turn the turret counter clockwise to make the reticle move to the right.
Turn the turret clockwise to make the reticle move to the left.

Elevation

With an allen wrench turn the screw counter clockwise to raise the reticle.
Turn the turret clockwise to lower the reticle.

ZEROING

With the scope mounted, rest the gun on a solid support. Sight along the barrel and aim at a target 50 to 100 yards away. Sight through the electro sight and set the intensity at the best position for you. All test shots should be done in the same conditions to achieve maximum accuracy for adjustment, also remember to use a firm rest for firing as well as the same type of cartridge is recommendable. Each click adjustment moves the point of impact by 1 MOA (approx. 1" @ 100yds. Or 1/2" @ 50yds.)

Magnification	Objective Lens (mm)	Reticle	Field of View (ft@100yds/m@100m)	Eye Relief (inch)	Weight (oz.)	Length (inch)
1x	22-33	Multi Reticle	51.84/15.8@1x	Unlimited	4.06	3.125

ILLUMINATED RETICLE

With the battery properly in place, turn the Rheostat Knob (9) clockwise to activate the illuminated reticle. The lower numbers represent dimmer settings and the higher numbers represent brighter settings of illumination. The "0" position indicated that the unit is OFF.

- 10 MOA Much larger reticle Mainly used for action shots or moving targets
- 3 MOA Smaller reticle mainly used for precise shots
- Circle Dot This is designed for fast target acquisition in any environment
- Cross Used also for action shots or moving objects

1 YEAR LIMITED WARRANTY

ELECTRO SIGHT / RED DOT

BARSKA® Optics, as manufacturer, warrants this new precision optical product to be free of original defects in materials and/or workmanship for the length of time specified by this warranty. This warranty does not include damage caused by abuse, improper handling, installation, maintenance, normal wear-and-tear, unauthorized repairs or modifications and tampering in anyway.

This warranty is limited to the original purchaser and is not transferable. This warranty applies only to products purchased in the United States of America.

In the event of a defect within 30 days, the consumer must return the defective unit to the BARSKA dealer (the place of purchase) at his/her own expense.

Beyond 30 days, BARSKA products should be sent to the following address for warranty repairs. Products must be packed carefully and sturdily to prevent damage in transit, and returned freight prepaid to:

BARSKA® OPTICS
Repair Department
855 Towne Center Drive
Pomona, CA 91767

For additional and updated information
please visit our website at www.barska.com

Please email info@barska.com or call 1-888-666-6769 for Return Merchandise Number (RMA#) before any returns.

NOTE: All merchandise received without a valid RMA # will be returned to shipper at his/her own expense.

Please include all of the following when returning BARSKA products for service and/or replacement:

1. Please write your complete details (Name, Address, Telephone #, E-mail address, RMA#, etc.)
 2. Purchase receipt or Proof of Purchase. (Original/Copy)
 3. A brief explanation of the defect.
 4. A Check/Money Order of \$20.00 to cover inspection, shipping and handling.
- *Please allow 6-8 weeks for delivery.

This product will either be replaced or repaired at the discretion of the warrantor. If it's a discontinued item, we will replace the product with an equivalent product. Should the repair not be covered by this warranty, an estimate will be sent for your approval. Non-warranty repairs or refurbishing of your optical products are always provided at a reasonable cost.

BARSKA® Optics shall not be liable for any consequential, incidental and/or contingent damages whatsoever. We will not pay shipping, insurance or transportation charges from you to us, or any import fees, duties and or taxes. This warranty supersedes all previous BARSKA® Optics warranties.

BC291