

3PT BALL HITCH

OWNER'S MANUAL



WARNING:

Read carefully and understand all **ASSEMBLY AND OPERATION INSTRUCTIONS** before operating. Failure to follow the safety rules and other basic safety precautions may result in serious personal injury.

Item# FTF-013PTH

Thank you very much for choosing this product! For future reference, please complete the owner's record below:

Model: _____ Purchase Date: _____

Save the receipt, warranty and these instructions. It is important that you read the entire manual to become familiar with this product before you begin using it.

This product is designed for certain applications only. The manufacturer cannot be responsible for issues arising from modification. We strongly recommend this product not be modified and/or used for any application other than that for which it was designed. If you have any questions relative to a particular application, DO NOT use the product until you have first contacted us to determine if it can or should be performed on the product.

For technical questions please call **1-218-943-6290**.

INTENDED USE

Universal Hitch for lawn tractors to add versatility to your lawn tractor.

TECHNICAL SPECIFICATIONS

Item	Description
Ball Size	2 inch
Material	Steel

GENERAL SAFETY RULES



WARNING: Read and understand all instructions. Failure to follow all instructions listed below may result in serious injury.



CAUTION: Do not allow persons to operate or assemble this 3PT Ball Hitch until they have read this manual and have developed a thorough understanding of how the 3PT Ball Hitch works.



WARNING: The warnings, cautions, and instructions discussed in this instruction manual cannot cover all possible conditions or situations that could occur. It must be understood by the operator that common sense and caution are factors which cannot be built into this product, but must be supplied by the operator.

SAVE THESE INSTRUCTIONS

WORK AREA

- **Keep work area clean**, free of clutter and well lit. Cluttered and dark work areas can cause accidents.
- **Keep children and bystanders** away while operating a **3PT Ball Hitch**. Distractions can cause you to lose control, so visitors should remain at a safe distance from the work area.
- **Be alert of your surroundings**. Using a **3PT Ball Hitch** in confined work areas may put you dangerously close to cutting tools and rotating parts.

PERSONAL SAFETY

- **Stay alert**, watch what you are doing and use common sense when using a **3PT Ball Hitch**. Do not use a **3PT Ball Hitch** while you are tired or under the influence of drugs, alcohol or medication. A moment of inattention while operating a **3PT Ball Hitch** may result in serious personal injury.
- **Dress properly**. Do not wear loose clothing, dangling objects, or jewelry. Keep your hair, clothing and gloves away from moving parts. Loose clothes, jewelry or long hair can be caught in moving parts.
- **Use safety apparel and equipment**. Use safety goggles or safety glasses with side shields which comply with current national standards, or when needed, a face shield. Use a dust mask if working in dusty work conditions. This applies to all persons in the work area. Also use non-skid safety shoes, hardhat, gloves, dust collection systems, and hearing protection when appropriate.

3PT Ball Hitch USE AND CARE

- **Do not modify the 3PT Ball Hitch in any way**. Unauthorized modification may impair the function and/or safety and could affect the life of the equipment. There are specific applications for which the **3PT Ball Hitch** was designed.
- **Always check for damaged or worn out parts before using the 3PT Ball Hitch**. Broken parts will affect the **3PT Ball Hitch** operation. Replace or repair damaged or worn parts immediately.
- **Do not exceed the 3PT Ball Hitch load capacity**.
- **Distribute the load evenly**. Uneven loads may cause the **3PT Ball Hitch** to tip, resulting in personal injury to the operator or others.
- **Use the 3PT Ball Hitch on flat and level surfaces** capable of supporting the **3PT Ball Hitch** and its maximum load. Pulling or pushing a load on a slanted or uneven surface can result in loss of control.
- **Store idle 3PT Ball Hitch**. When **3PT Ball Hitch** is not in use, store it in a secure place out of the reach of children. Inspect it for good working condition prior to storage and before re-use.

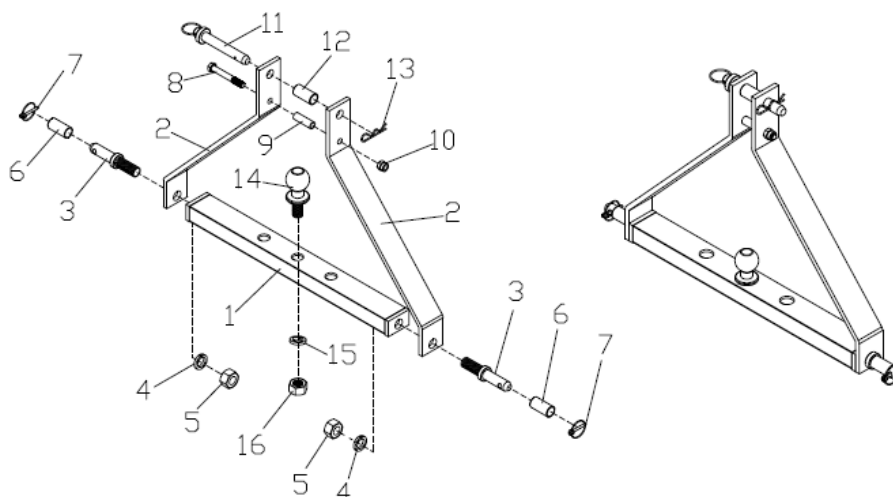
ASSEMBLY

1. Attach Link Bars (#2) together with Bolt (#8), Spacer (#9) and Lock Nut (#10).
2. Install each side of Link Bar (#2) onto Horizontal Beam (#1) with Pin (#3), Washer (#4), Nut (#5), Bushing (#6) (if necessary) and Lynch Pin (#7).
3. Attach the product to the top of tractor's 3-point with Pin (#11), Bushing (#12) (if necessary) and Clip (#13).
4. Install the Trailer Ball (#14) on the Horizontal Beam (#1) with Washer (#15) and Nut (#16).

MAINTENANCE

- Maintain your 3PT Ball Hitch.** It is recommended that the general condition of any **3PT Ball Hitch** be examined before it is used. Keep your **3PT Ball Hitch** in good repair by adopting a program of conscientious repair and maintenance. If any abnormal vibrations or noise occurs, have the problem corrected before further use. Have necessary repairs made by qualified service personnel.

DIAGRAM & PARTS LIST



Part#	Description	Qty.	Part#	Description	Qty.
1	Horizontal Beam	1	9	Spacer	1
2	Link Bar	2	10	Lock Nut M12	1
3	7/8" Pin	2	11	3/4" Pin	1
4	Washer Ø22	2	12	1" Bushing	1
5	Nut M22	2	13	Clip	1
6	1-1/8" Bushing	2	14	2" Trailer Ball	1
7	Lynch Pin 10mm dia.	2	15	Washer 1"	1
8	Bolt M12 x 85	1	16	Nut 1"	1

For replacement parts and technical questions, please call **1-218-943-6290**.

WARRANTY

One-year limited parts warranty



BAC
 PO BOX 155
 Miliona, MN 56354