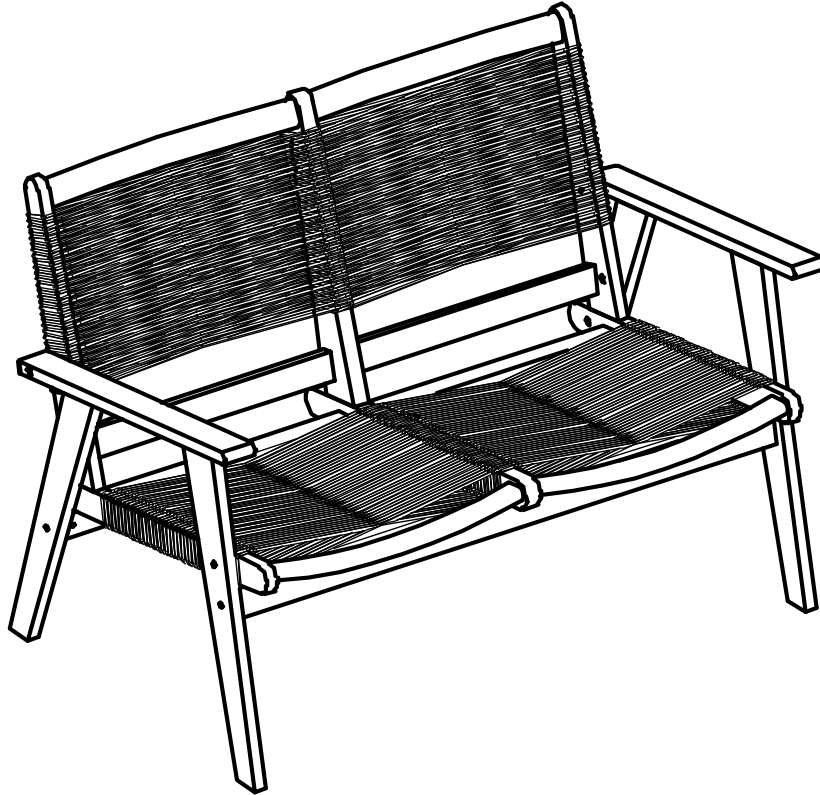


Kingsmen Loveseat Bench

Item#: 63368



ATTACH YOUR RECEIPT HERE

Keep a copy of your proof of purchase or order confirmation which will be needed if you need to contact us about warranty coverage.

Purchase Date: _____



SAVE THESE INSTRUCTIONS FOR FUTURE REFERENCE.



Questions, problems, missing parts?

Before returning to your retailer, our exceptional customer service is available.

Call toll-free

(866) 985-7877

9 a.m. – 9 p.m., EST

Email

cservice@welltraveled.net

Live chat

www.balkenehome.com

9 a.m. – 6 p.m., EST, Monday – Friday



BEFORE YOU BEGIN

Before beginning assembly, make sure all parts are present. Compare parts received with the parts list. If any part is missing or damaged, do NOT attempt to assemble the product. Please read and understand this entire manual before attempting to assemble, operate or install this product. If you have any questions regarding the product, please contact Customer Service.



GENERAL INFORMATION

Your new Kingsmen Loveseat Bench is made from the finest materials available. It should provide many years of enjoyment with minimal care.

Keep your Kingsmen Loveseat Bench clean. For best results, clean with a soft, damp cloth. If you use furniture covers, always make sure the Kingsmen Loveseat Bench is clean and completely dry before covering, as mold may form in dark, wet places. Remove any cushions prior to covering and store separately. Check the hardware on your Kingsmen Loveseat Bench regularly to make sure it is secure.

The weight limit is 650 LB /300 KG.



SAFETY INFORMATION

WARNING

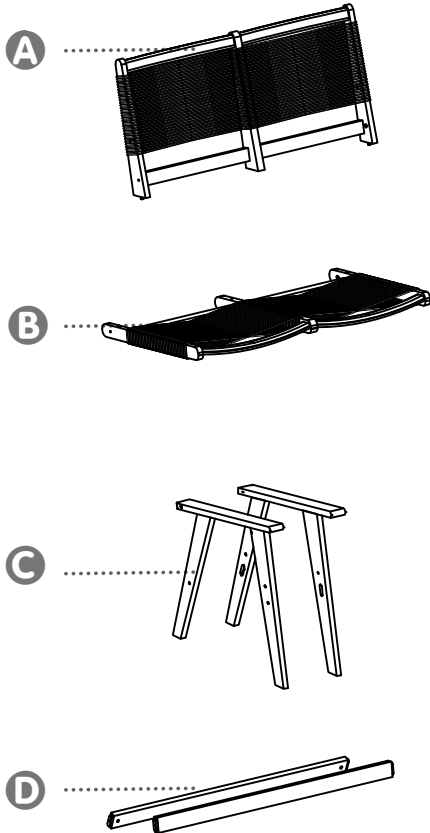
Do not stand or allow children to stand on the assembled product. Ensure hardware is securely in place. Perform periodic checks to make sure the connections are secure and adjust if needed.

CAUTION

Read all instructions before beginning assembly. Failure to do so may result in faulty assembly and potential injury. Assemble the item on a soft, non-abrasive surface such as carpet or cardboard to avoid damaging the item.

PACKAGE CONTENTS

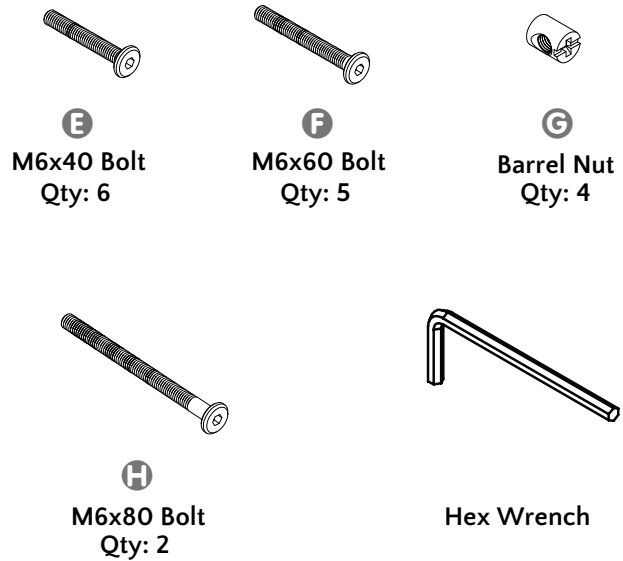
BALKENE —HOME—



PART	DESCRIPTION	QUANTITY
A	Backrest	1
B	Seat	1
C	Side (Left/Right)	2
D	Cross Bar	2



HARDWARE CONTENTS



You will also need a screwdriver with a medium blade (not included).

Assembly of this item involves **Mortise and Tenon Joints**. A **Mortise** is a notch or hole in a piece of wood designed to receive a **Tenon** of corresponding dimensions.

Assemble in a clear area on a spacious, nonabrasive surface such as a carpet or blanket. Do not over-tighten hardware.

1 Begin by assembling the frame, consisting of the **Left/Right Sides C** and the **Cross Bars D**. (It may be easier to attach both **Cross Bars** to one **Side**, then connect the second **Side** to both **Cross Bars**.)

Insert a **Barrel Nut G** into each of the holes drilled in the flat sides of the **Cross Bars**, near each end. Use a screwdriver to rotate the **Barrel Nuts** so the threaded holes in the sides of the **Barrel Nuts** line up with the holes drilled in the ends of the **Cross Bars**.

Insert the tenon of one **Cross Bar** into the oblong mortise in the first **Side**. (Orient the **Cross Bar** so the holes with the **Barrel Nuts** face in toward each other when both **Cross Bars** are installed.) Insert a **Bolt F** through one leg of the **Side** and into the hole in the end of the **Cross Bar**. Use a **Hex Wrench** to tighten the **Bolt** into the **Barrel Nut** to secure, being careful not to over-tighten. Repeat this process with the second leg and **Cross Bar**.

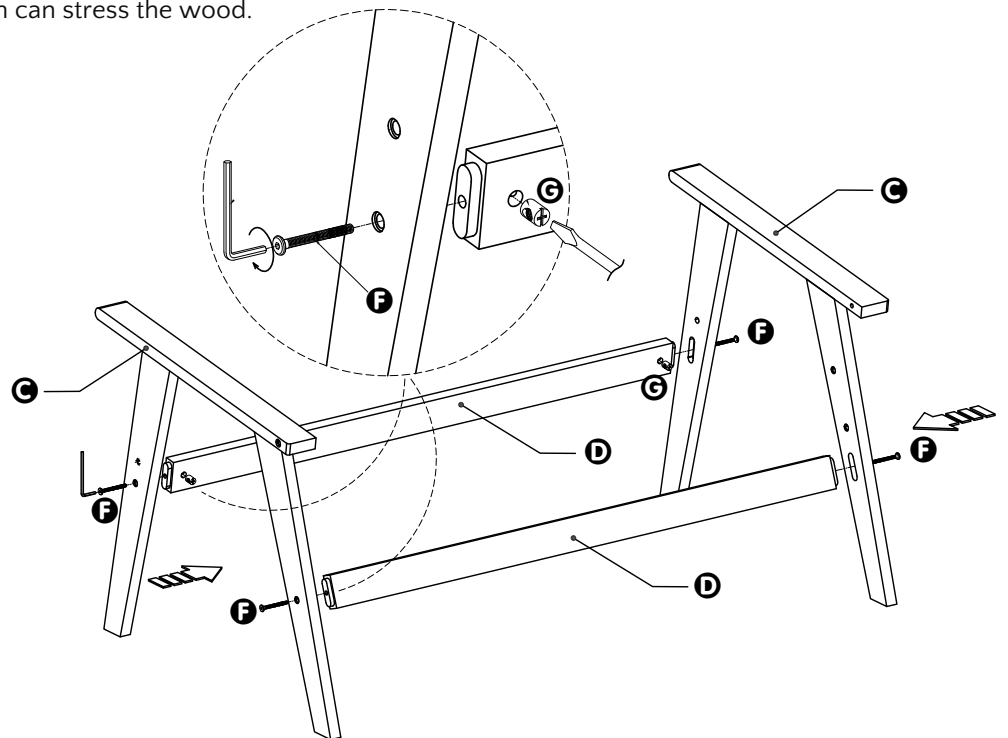
Use the method above to attach the second **Leg** to the opposite ends of the **Cross Bars**. Check that all hardware is secure but not overly tight, which can stress the wood.



Hardware Used:

F Bolt (M6x60) x4

G Barrel Nut x4



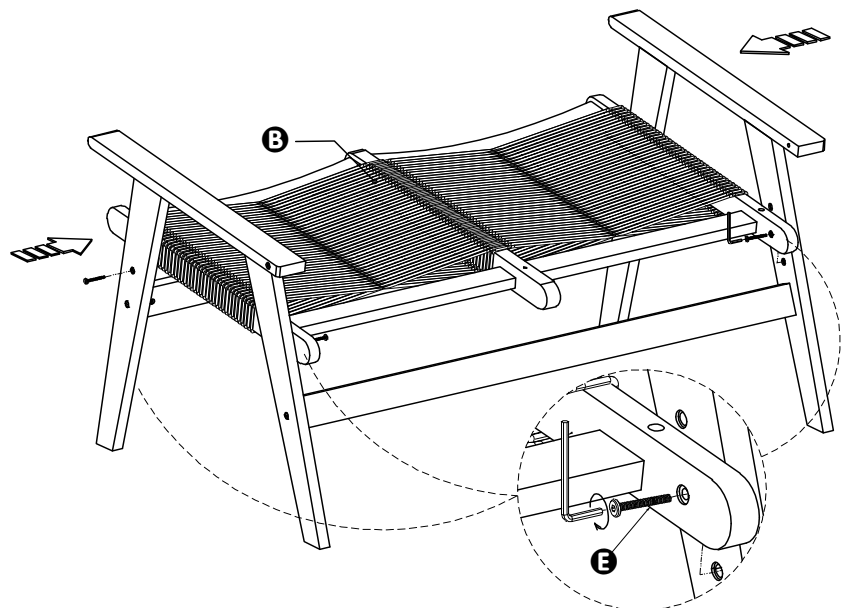
2 Identify the front of the bench frame by finding the rounded ends of the arms. The *front* of the **Seat** has the cross-bar close to the edge, and the back has longer ends on the three support bars. Install the **Seat** by aligning the holes drilled near the back ends of both side/edge pieces with the lower holes drilled into the insides of the back legs. Insert a **Bolt E** into each of the aligned holes and tighten slightly. Then, align the holes near the front ends of the side/edge pieces and insert a **Bolt E** through each front leg and into the **Seat**.

Tighten all hardware installed in this step using a **Hex Wrench**, being careful not to over-tighten.

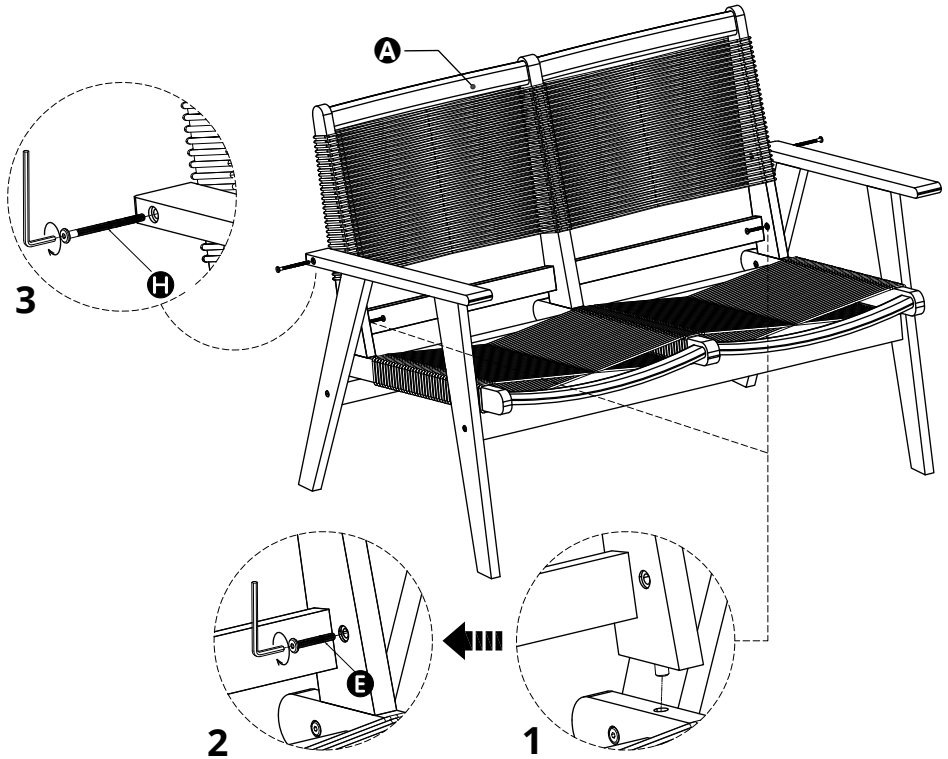


Hardware Used:

E Bolt (M6x40) x4



3 To install the **Backrest A**, insert the pegs at the bottom of each end of the **Back** into the holes in the top of the back end of the edge pieces of the seat. Secure by inserting a **Bolt E** through the hole near the bottom of either side of the **Backrest** and into each **bench Side**. Then insert a **Bolt H** through the hole drilled at the back of each arm and into the aligned hole at each side of the **Back**. Tighten all hardware, being careful not to over-tighten.



Hardware Used:

E Bolt (M6x40) x2

H Bolt (M6x80) x2

4 On a nonabrasive surface, carefully turn the bench upside-down. Locate the hole near the back end of the seat divider.

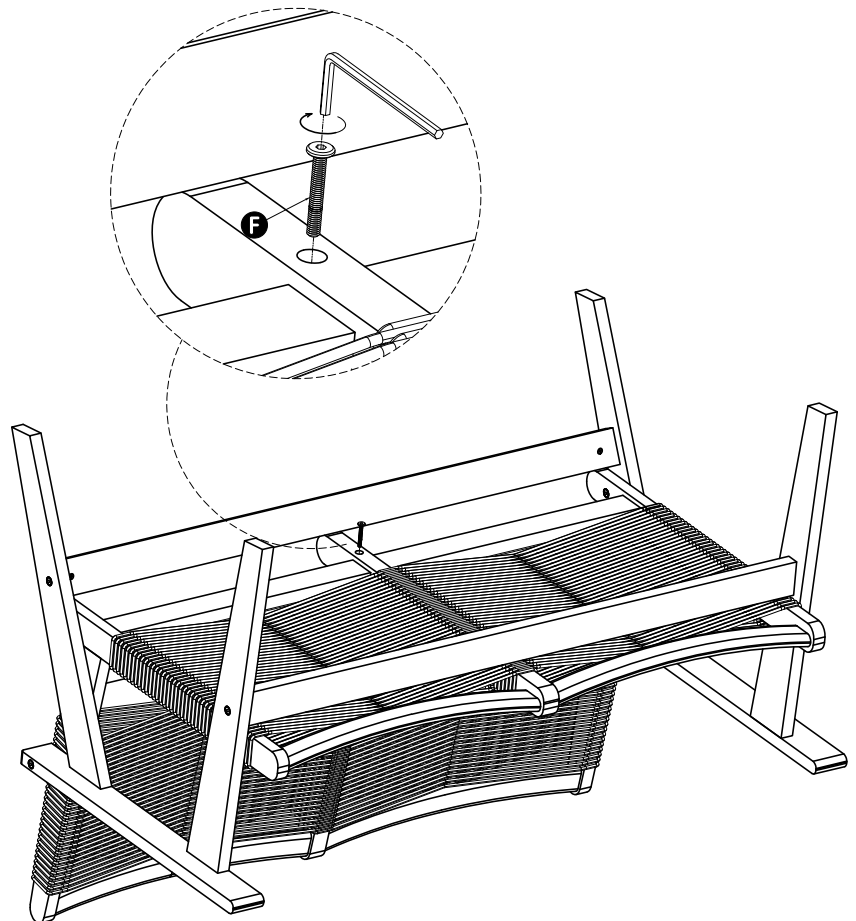
Insert 1 **Bolt F** to join the **Seat** to the **Backrest**. Tighten the **Bolt** using the **Hex Wrench**, being careful not to over-tighten. After checking that all hardware is secure, turn the bench back upright.

Your Kingsmen Loveseat Bench is fully assembled!



Hardware Used:

F Bolt (M6x60) x1



BALKENE —HOME—



LIMITED WARRANTY

Customers in the Contiguous US

With proof of purchase from an authorized retailer, this product is warranted for a period of 1 year from original purchase date against defects in materials and workmanship under normal use. This warranty does NOT cover normal wear/weathering, exposure to water, freezing temperatures, oils, fluids, or chemicals OR use in a commercial context if the unit is not designated as a commercial model. At Balkene Home's sole discretion, products under warranty will be repaired and/or replaced at no charge to the customer. Returns sent back to Well Traveled Living must be sent via prepaid freight in the original retail packaging.

For warranty service, contact Balkene Home at the address, phone numbers or website and email listed in this owner's manual. Be sure to have your sales receipt, date of purchase and catalogue/model numbers available when calling. All warranty service will be coordinated by Balkene Home's Amelia Island, Florida service center. This warranty is extended only to the original owner. Proof of purchase will be required before warranty service is rendered. The sales receipt is the only valid proof of purchase. This warranty only covers failures due to defects in materials or workmanship which occur during normal use. Failures and/or damage which result from accident, negligence, misuse, abuse, neglect, mishandling, alteration or modification, failure to maintain, improper assembly or maintenance, service by unauthorized agency or use of unauthorized components or damage that is attributable to acts of God are NOT covered.

This limited warranty gives you specific legal rights and you may also have other rights which vary from jurisdiction to jurisdiction. The provisions of the United Nations Convention on Contracts for the Sales of Goods shall not apply to this limited warranty or the sale of products covered by this limited warranty.

- THERE ARE NO EXPRESS WARRANTIES EXCEPT AS LISTED.
- PURCHASER ASSUMES ALL RISKS IN THE ASSEMBLY AND OPERATION OF THIS UNIT.
- FAILURE TO FOLLOW WARNINGS AND OPERATIONAL INSTRUCTIONS CONTAINED IN THIS MANUAL CAN RESULT IN SEVERE PROPERTY DAMAGE AND/OR PERSONAL INJURY.
- IN NO EVENT WILL BALKENE HOME/WELL TRAVELED LIVING, OR ITS DIRECTORS, OFFICERS OR AGENTS BE LIABLE TO THE PURCHASER OR ANY THIRD PARTY, WHETHER IN CONTRACT, IN TORT, OR ON ANY OTHER BASIS, FOR ANY INDIRECT, SPECIAL, PUNITIVE, EXEMPLARY, CONSEQUENTIAL, OR INCIDENTAL LOSS, COST, OR DAMAGE ARISING OUT OF OR IN CONNECTION WITH THE SALE, MAINTENANCE, USE, OR INABILITY TO USE THE PRODUCT, EVEN IF BALKENE HOME/WELL TRAVELED LIVING OR ITS DIRECTORS, OFFICERS OR AGENTS HAVE BEEN ADVISED OF THE POSSIBILITY OF SUCH LOSSES, COSTS OR DAMAGES, OR IF SUCH LOSSES, COSTS, OR DAMAGES ARE FORESEEABLE. IN NO EVENT WILL BALKENE HOME/WELL TRAVELED LIVING, OR ITS OFFICERS, DIRECTORS, OR AGENTS BE LIABLE FOR ANY DIRECT LOSSES, COSTS OR DAMAGES THAT EXCEED THE PURCHASE PRICE OF THE PRODUCT.
- SOME JURISDICTIONS DO NOT ALLOW THE EXCLUSION OR LIMITATION OF INCIDENTAL OR CONSEQUENTIAL DAMAGES, SO THE ABOVE LIMITATION OR EXCLUSION MAY NOT APPLY TO THE PURCHASER.

EXTEND YOUR WARRANTY

When you purchase a Fire Sense or Balkene Home product from any authorized retailer, you'll have peace of mind in knowing that it comes with a one-year warranty. Extend your warranty for *an additional year* when you review your item at balkenehome.com within 365 days of purchase.



Important Notice

Do NOT return to place of purchase—for customer service and warranty issues:

Call toll-free (866) 985-7877 9 a.m. – 9 p.m., EST
Email cservice@welltraveled.net
Live chat balkenehome.com 9 a.m. – 6 p.m., EST, Monday – Friday

Distributed by:
Well Traveled Living
716 S 8th Street, Amelia Island, FL 32034
balkenehome.com
cservice@welltraveled.net
(866) 985-7877