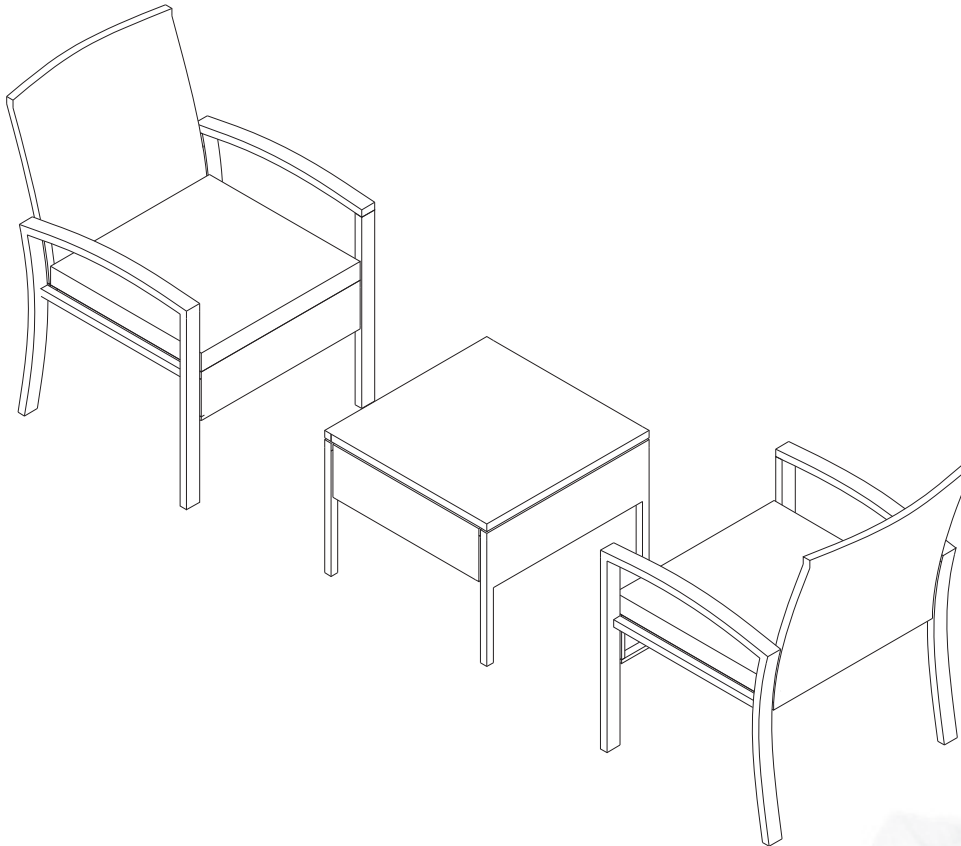


## Bern Balcony Chat Set

Item#: 63358



### ATTACH YOUR RECEIPT HERE

Keep a copy of your proof of purchase or order confirmation which will be needed if you need to contact us about warranty coverage.

Purchase Date: \_\_\_\_\_



### SAVE THESE INSTRUCTIONS FOR FUTURE REFERENCE.



### Questions, problems, missing parts?

Before returning to your retailer, our exceptional customer service is available.

Call toll-free (866) 985-7877

9 a.m. – 9 p.m., EST

Email [cservice@welltraveled.net](mailto:cservice@welltraveled.net)

Live chat [www.balkenehome.com](http://www.balkenehome.com)

9 a.m. – 6 p.m., EST, Monday – Friday



## BEFORE YOU BEGIN

Before beginning assembly, make sure all parts are present. Compare parts received with the parts list. If any part is missing or damaged, do NOT attempt to assemble the product. Please read and understand this entire manual before attempting to assemble, operate or install this product. If you have any questions regarding the product, please contact Customer Service.



## GENERAL INFORMATION

Your new chat set is made from the finest materials available. It should provide many years of enjoyment with minimal care.

Keep your chat set clean. For best results, clean with a soft, damp cloth. If you use furniture covers, always make sure the chat set is clean and completely dry before covering, as mold may form in dark, wet places. Remove cushions prior to covering and store them in a dry, temperature controlled place. Cushion covers should be hand-washed or laundered on delicate and allowed to air-dry. Check the hardware on your chat set regularly to make sure it is secure.

The weight limit per chair is 350 lb/160 kg.



## SAFETY INFORMATION

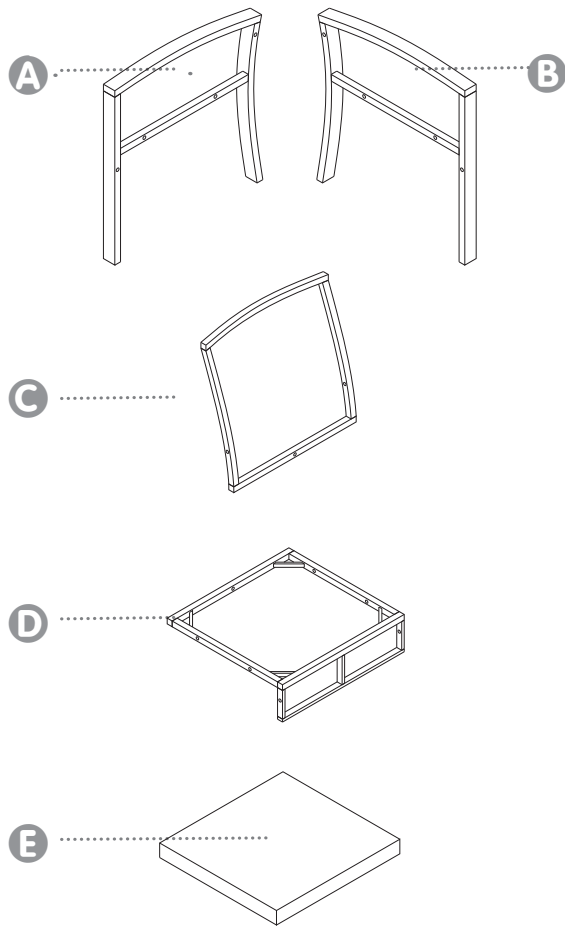
### WARNING

Do not stand or allow children to stand on the assembled products. Ensure hardware is securely in place. Perform periodic checks to make sure the connections are secure and adjust if needed.

### CAUTION

Read all instructions before beginning assembly. Failure to do so may result in faulty assembly and potential injury. Assemble the item on a soft, non-abrasive surface such as carpet or cardboard to avoid damaging the items.

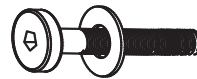
CHAIRS



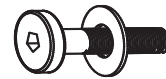
PART	DESCRIPTION	QUANTITY
A	Right Side Panel	1 (per chair)
B	Left side Panel	1 (per chair)
C	Seat Back	1 (per chair)
D	Seat	1 (per chair)
E	Seat Cushion	1 (per chair)
F	Table Top	1
G	Table Side	2
H	Table Leg Panel	2



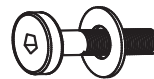
HARDWARE CONTENTS



1  
M6x60  
Bolt/Washer  
Qty: 4



2  
M6x40  
Bolt/Washer  
Qty: 8

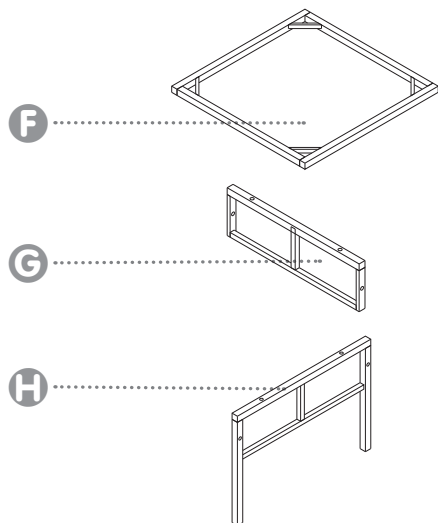


3  
M6x30  
Bolt/Washer  
Qty: 16



4  
Hex Key  
Qty: 2

TABLE



Assemble in a clear area on a spacious, nonabrasive surface such as a carpet or blanket. We recommend assembling one item of furniture at a time to avoid mixing up parts and hardware. **Do not over-tighten hardware.**

- 1 Assemble the Chair:** Locate the **Seat Back** **C** and lay it on a flat surface with the front facing up. Position the **Seat** **D** as shown and fasten the two parts together using 2 **Bolts/Washers** **2** inserted *through* the rear edge of the **Seat** frame and *into* the bottom center of the **Seat Back**.



**Hardware Used:**      **2 Bolt/Washer (M6x40) x2**

- 2** Attach the previously-joined **Seat/Seat Back** to the **Right Side Panel** **A** by aligning the holes in the right edge of the **Seat** with the eyelets on the **Right Side Panel**, then inserting a **Bolt/Washer** **2** *through* the hole beneath the seat and *into* the corresponding eyelet on the **Right Side Panel** as shown. Then insert a **Bolt/Washer** **3** *through* the eyelet behind the front panel and *into* the inside edge of the front leg. Do not yet fully tighten.

Insert a **Bolt/Washer** **1** *through* the hole at the back of the arm of the **Right Side Panel** and *into* the **Seat Back**.

Tighten all hardware using the **Hex Key**, but do not over-tighten.



**Hardware Used:**      **1 Bolt/Washer (M6x60) x1**  
                                  **2 Bolt/Washer (M6x40) x1**  
                                  **3 Bolt/Washer (M6x30) x1**

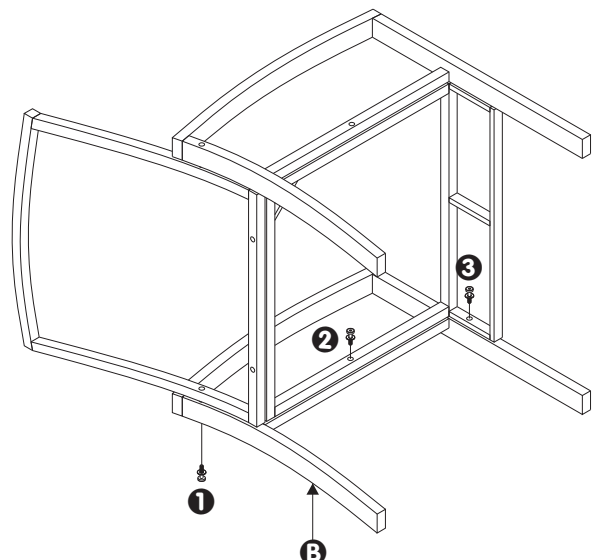
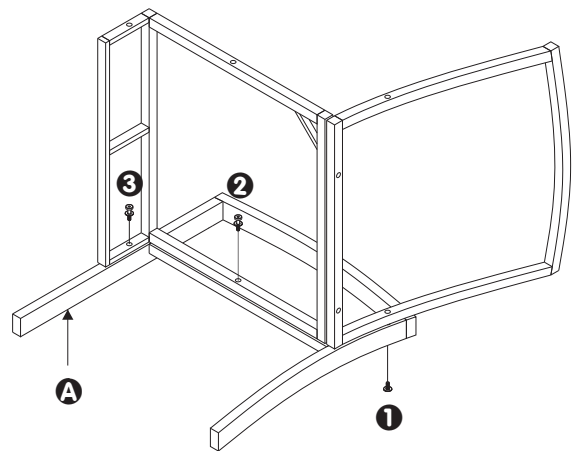
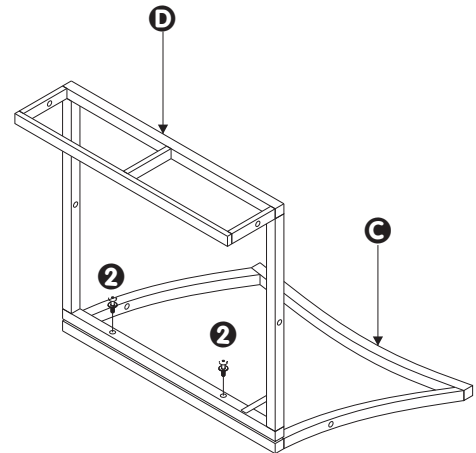
- 3** Align the holes along the left edge of the **Seat** with the eyelets on the **Left Side Panel** **B**, then insert a **Bolt/Washer** **2** *through* the hole beneath the seat and *into* the corresponding eyelet on the **Left Side Panel** as shown. Then insert a **Bolt/Washer** **3** *through* the eyelet behind the front panel and into the inside edge of the front leg. Do not yet fully tighten.

Insert a **Bolt/Washer** **1** *through* the hole at the back of the arm of the **Left Side Panel** and *into* the **Seat Back**.

Tighten all hardware using the **Hex Key**, but do not over-tighten.

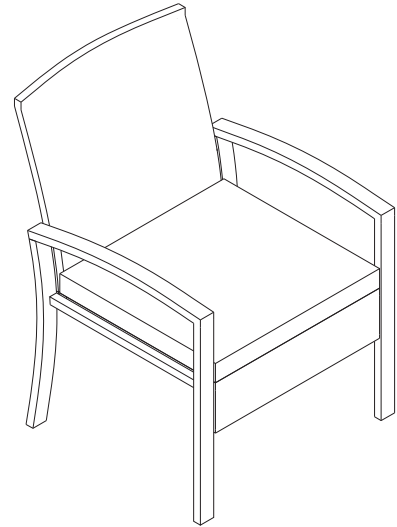


**Hardware Used:**      **1 Bolt/Washer (M6x60) x1**  
                                  **2 Bolt/Washer (M6x40) x1**  
                                  **3 Bolt/Washer (M6x30) x1**



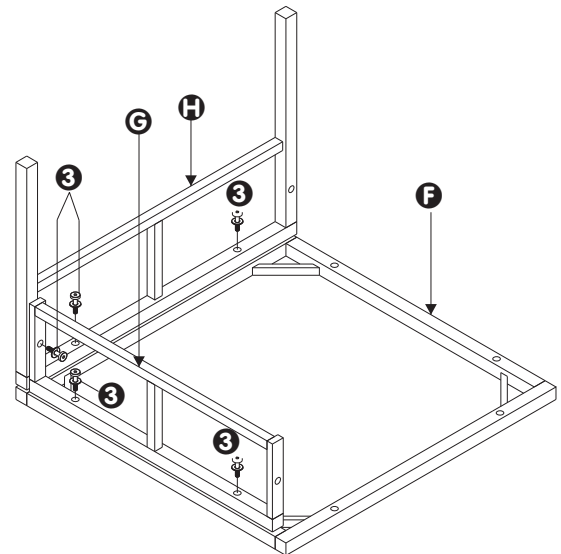
- 4** After checking that all hardware connections are secure, carefully turn the assembled chair upright. Place **Seat Cushion ③** on **Seat**.

Chair assembly is complete. Repeat above steps to assemble second chair.



- 5 Assemble the Table:** Place the **Table Top ⑥** upside-down and locate one each of **Table Side ⑦** and **Table Leg Panel ⑧**. Position **Table Leg Panel** vertically atop one edge of the **Table Top** to align the eyelets as shown, then secure using 2 **Bolts/Washers ③**.

Position the **Table Side** vertically along the adjacent edge of the **Table Top**. Secure using 2 **Bolts/Washers ③**. Connect the **Table Side** to the **Table Leg Panel** using 1 more **Bolt/Washer ③**.

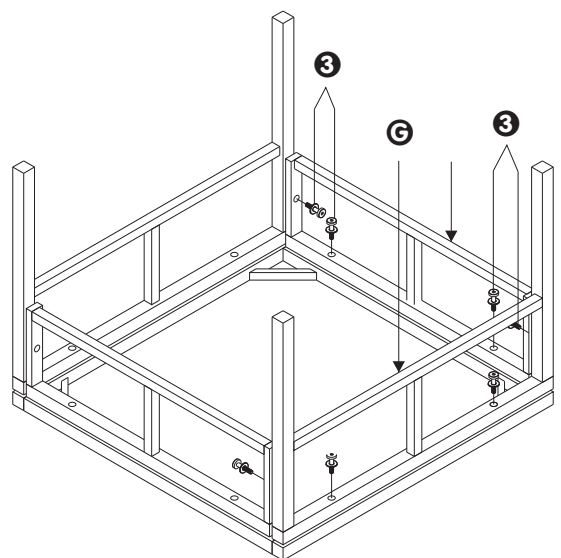


- Hardware Used:**      **③ Bolt/Washer (M6x30) x5**

- 6** Align the second **Table Side ⑦** opposite the first **Table Side**. Secure to the **Table Top** using 2 **Bolts with Washers ③**. Connect the **Table Side** to the already-installed **Table Leg Panel** using 1 more **Bolt/Washer ③**.

Attach the final **Table Leg Panel ⑧** to the **Table Top** using 2 **Bolts with Washers ③**. Secure the **Table Leg Panel** to the 2 **Table Sides** using a **Bolt with Washer ③** at each end as shown.

After checking that all hardware is secure, turn table upright. Your Bern Balcony Chat Set is complete.



- Hardware Used:**      **③ Bolt/Washer (M6x30) x7**



## LIMITED WARRANTY

Customers in the Contiguous US

With proof of purchase from an authorized retailer, this product is warranted for a period of 1 year from original purchase date against defects in materials and workmanship under normal use. This warranty does NOT cover normal wear/weathering, exposure to water, freezing temperatures, oils, fluids, or chemicals OR use in a commercial context if the unit is not designated as a commercial model. At Well Traveled Living's sole discretion, products under warranty will be repaired and/or replaced at no charge to the customer. Returns sent back to Well Traveled Living must be sent via prepaid freight in the original retail packaging.

For warranty service, contact Balkene Home/Well Traveled Living at the address, phone numbers or website and email listed in this owner's manual. Be sure to have your sales receipt, date of purchase and catalogue/model numbers available when calling. All warranty service will be coordinated by Well Traveled Living's Amelia Island, Florida service center. This warranty is extended only to the original owner. Proof of purchase will be required before warranty service is rendered. The sales receipt is the only valid proof of purchase. This warranty only covers failures due to defects in materials or workmanship which occur during normal use. Failures and/or damage which result from accident, negligence, misuse, abuse, neglect, mishandling, alteration or modification, failure to maintain, improper assembly or maintenance, service by unauthorized agency or use of unauthorized components or damage that is attributable to acts of God are NOT covered.

This limited warranty gives you specific legal rights and you may also have other rights which vary from jurisdiction to jurisdiction. The provisions of the United Nations Convention on Contracts for the Sales of Goods shall not apply to this limited warranty or the sale of products covered by this limited warranty.

- THERE ARE NO EXPRESS WARRANTIES EXCEPT AS LISTED.
- PURCHASER ASSUMES ALL RISKS IN THE ASSEMBLY AND OPERATION OF THIS UNIT.
- FAILURE TO FOLLOW WARNINGS AND OPERATIONAL INSTRUCTIONS CONTAINED IN THIS MANUAL CAN RESULT IN SEVERE PROPERTY DAMAGE AND/OR PERSONAL INJURY.
- IN NO EVENT WILL WELL TRAVELED LIVING, OR ITS DIRECTORS, OFFICERS OR AGENTS BE LIABLE TO THE PURCHASER OR ANY THIRD PARTY, WHETHER IN CONTRACT, IN TORT, OR ON ANY OTHER BASIS, FOR ANY INDIRECT, SPECIAL, PUNITIVE, EXEMPLARY, CONSEQUENTIAL, OR INCIDENTAL LOSS, COST, OR DAMAGE ARISING OUT OF OR IN CONNECTION WITH THE SALE, MAINTENANCE, USE, OR INABILITY TO USE THE PRODUCT, EVEN IF WELL TRAVELED LIVING OR ITS DIRECTORS, OFFICERS OR AGENTS HAVE BEEN ADVISED OF THE POSSIBILITY OF SUCH LOSSES, COSTS OR DAMAGES, OR IF SUCH LOSSES, COSTS, OR DAMAGES ARE FORESEEABLE. IN NO EVENT WILL WELL TRAVELED LIVING, OR ITS OFFICERS, DIRECTORS, OR AGENTS BE LIABLE FOR ANY DIRECT LOSSES, COSTS OR DAMAGES THAT EXCEED THE PURCHASE PRICE OF THE PRODUCT.
- SOME JURISDICTIONS DO NOT ALLOW THE EXCLUSION OR LIMITATION OF INCIDENTAL OR CONSEQUENTIAL DAMAGES, SO THE ABOVE LIMITATION OR EXCLUSION MAY NOT APPLY TO THE PURCHASER.

## EXTEND YOUR WARRANTY

When you purchase a Fire Sense or Balkene Home product from any authorized retailer, you'll have peace of mind in knowing that it comes with a one-year warranty. Extend your warranty for *an additional year* when you review your item at [balkenehome.com](http://balkenehome.com) within 365 days of purchase.



### Important Notice

Do NOT return to place of purchase—for customer service and warranty issues:

Call toll-free (866) 985-7877 9 a.m. – 9 p.m., EST  
Email [cservice@welltraveled.net](mailto:cservice@welltraveled.net)  
Live chat [balkenehome.com](http://balkenehome.com) 9 a.m. – 6 p.m., EST, Monday – Friday

Distributed by:

Well Traveled Living  
716 S 8th Street, Amelia Island, FL 32034  
[balkenehome.com](http://balkenehome.com)  
[cservice@welltraveled.net](mailto:cservice@welltraveled.net)  
(866) 985-7877