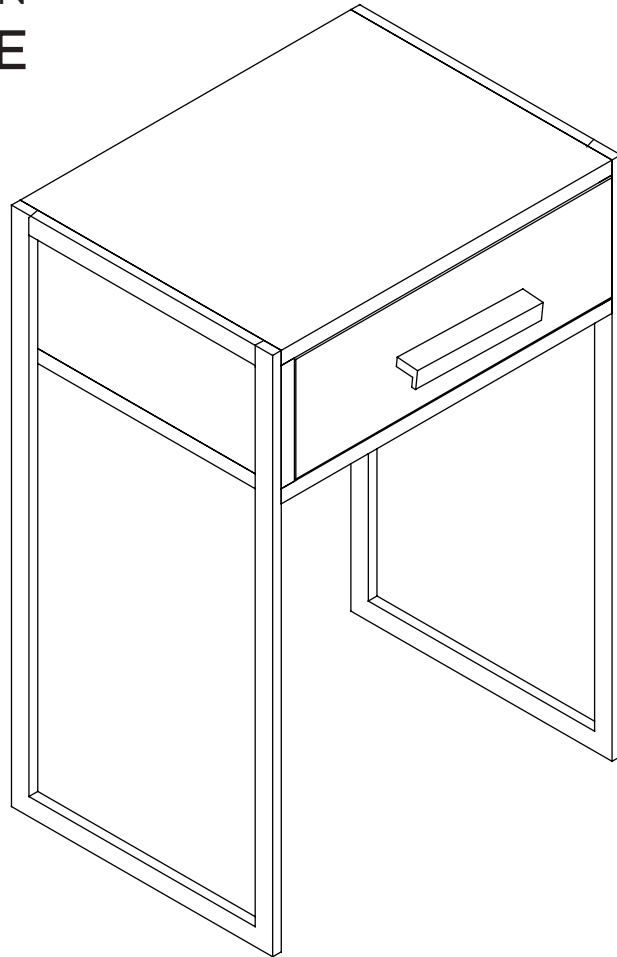


TRIBECA COLLECTION
BEDSIDE TABLE

Item#: 62760



ATTACH YOUR RECEIPT HERE

Keep a copy of your proof of purchase or order confirmation which will be needed if you need to contact us about warranty coverage.

Purchase Date: _____



**SAVE THESE INSTRUCTIONS
FOR FUTURE REFERENCE.**



Questions, problems, missing parts?

Before returning to your retailer, our exceptional customer service is available.

Call toll-free **(866) 985-7877**

9 a.m. – 9 p.m., EST

Email **cservice@welltraveled.net**

Live chat **www.balkenehome.com**

9 a.m. – 6 p.m., EST, Monday – Friday



BEFORE YOU BEGIN

Before beginning assembly, make sure all parts are present. Compare parts received with the “Parts List.” If any part is missing or damaged, do NOT attempt to assemble the product. Please read and understand this entire manual before attempting to assemble, operate or install this product. If you have any questions regarding the product, please contact Customer Service:

Call toll-free	(866) 985-7877	9 a.m. – 9 p.m., EST
Email	cservice@welltraveled.net	
Live chat	www.balkenehome.com	9 a.m. – 6 p.m., EST, Monday – Friday



GENERAL INFORMATION

This item is made of hollow board and a metal frame. For safe assembly, set up on a dry, soft, secure and clean surface. Do not clean with detergent or chemicals. Do not place hot items such as coffee cups directly on the surface of this furniture item. Keep away from direct sunlight and water. Do not drag the table. For indoor use only.



SAFETY INFORMATION

WARNING

DO NOT sit or stand or allow children to sit or stand on the assembled product. Make sure connectors are securely in place. Perform periodic checks to make sure the connectors are secure and adjust if needed. Keep unassembled parts and hardware away from children and infants. This package contains small parts and sharp points. Adult assembly required.

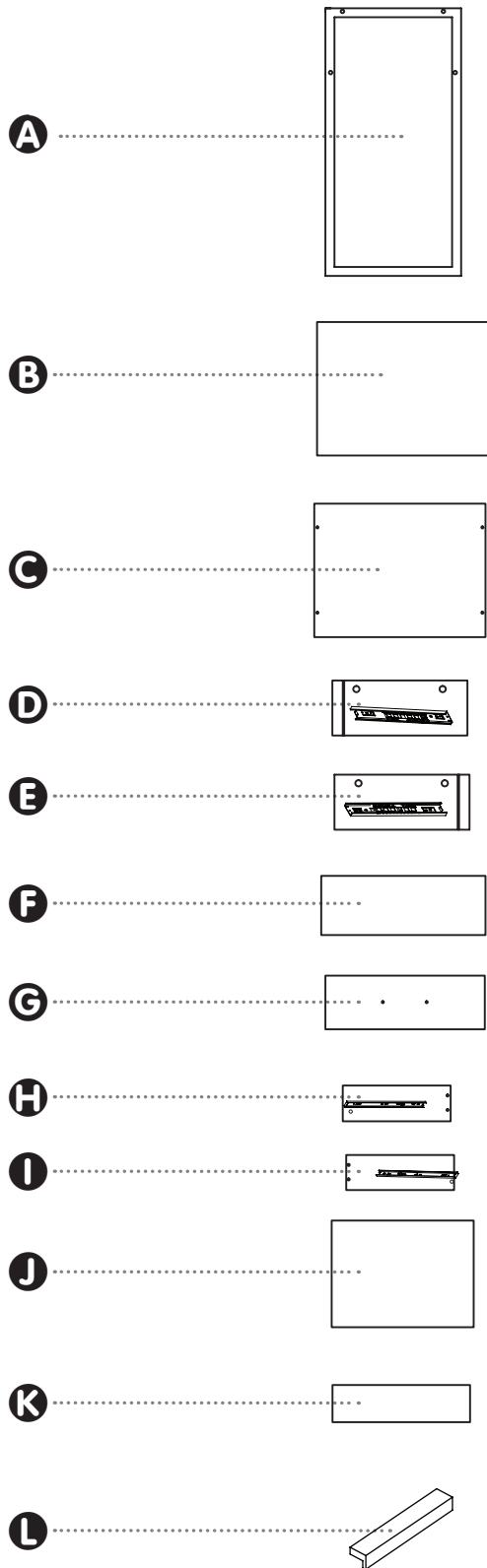
CAUTION

READ all instructions before beginning assembly. Failure to do so may result in faulty assembly and potential injury. Assemble the item on a soft, non-abrasive surface such as carpet or cardboard to avoid damaging the item.

Max safe load limit: Tabletop: 20 KG / 44 LB and Drawer: 5 KG / 11 LB.

PARTS LIST

BALKENE —HOME—



PART	DESCRIPTION	QUANTITY
A	Leg Frame	2
B	Table Top	1
C	Table Bottom	1
D	Table Side (Right)	1
E	Table Side (Left)	1
F	Table Back	1
G	Drawer Front	1
H	Drawer Side (Right)	1
I	Drawer Side (Left)	1
J	Drawer Bottom	1
K	Drawer Back	1
L	Drawer Handle	1



HARDWARE CONTENTS

M
Screw M7x48mm
Qty: 8

N
Cam Lock Nut
Qty: 6

O
Cam Bolt
Qty: 6

P
Screw M4x40mm
Qty: 4

Q
Dowel
Qty: 6

R
Screw M4x20mm
Qty: 2

S
Screw M4x30mm
Qty: 4

T
Hex Key
Qty: 1

YOU WILL NEED FOR ASSEMBLY:
(not included)

Rubber Mallet
(If none is available, use a hammer, but add padding as necessary to protect parts and surfaces.)

Phillips-head Screwdriver

ASSEMBLY

BALKENE —HOME—

PREPARATION

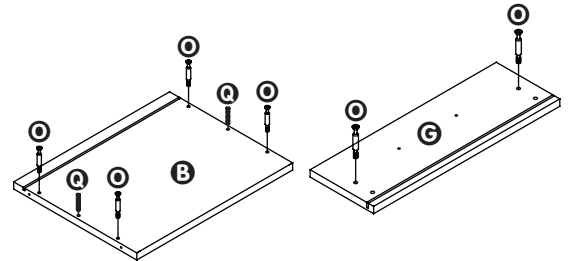
Before beginning assembly, be sure to empty contents of carton and make sure all parts are present. If any parts are missing, please contact Customer Service before proceeding.

Place all parts on a soft, level surface for assembly. You will need a **Rubber Mallet** and **Phillips™ xOp screwdriver** for assembly. Estimated Assembly Time: 70 Minutes | DO NOT over-tighten hardware!

- 1** Locate the **Table Top** **B** and place it so the side with drilled holes face up. Insert and tighten 4 **Cam Bolts** **C** into the 4 holes closest to the corners of the **Table Top** as shown. Insert 2 **Dowels** **A** in the remaining 2 holes midway down the shorter sides, as shown. Be sure the **Dowels** are firmly inserted by gently tapping with a rubber mallet.

Locate the **Drawer Front** **G** and place it so the side with drilled holes face up. Insert and tighten 2 **Cam Bolts** in the holes near the middle of each short edge as shown. Set aside.

Hardware Used:
● **Cam Bolt** x 6
● **Dowel** x 2



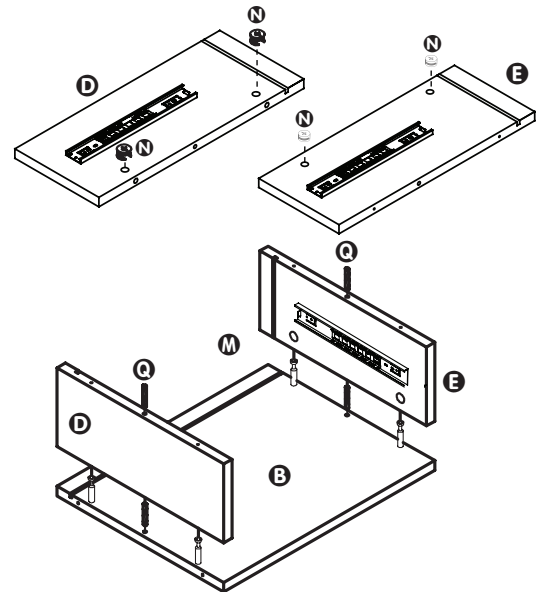
- 2** Locate the **Table Sides** **D/E** and insert 4 **Cam Lock Nuts** **N** into the holes below the pre-installed drawer track on each piece. Turn **Cam Lock Nuts** so the arrow points toward the adjoining hole drilled in the bottom edge.

Align the groove in **Table Side (Right)** **D** perpendicularly to the groove in the **Table Top** and slide the **Table Side** onto the hardware installed earlier, as shown. Secure the **Table Side** to the **Table Top** by turning the **Cam Lock Nuts** clockwise until tight.

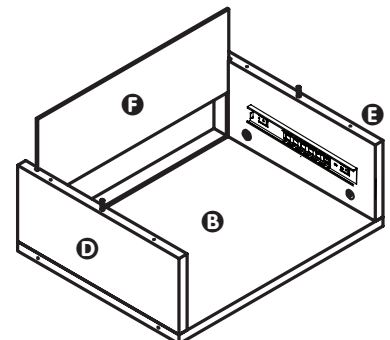
Repeat to install the **Table Side (Left)** **E**.

Insert a **Dowel** **A** into the hole drilled in the center of the top edge of each **Table Side**. Be sure the **Dowels** are firmly inserted by gently tapping with a rubber mallet.

Hardware Used:
● **Cam Lock Nut** x 4
● **Dowel** x 2



- 3** Slide the **Table Back** **F** into the groove formed by the **Table Sides** **D/E** and **Table Top** **B** as shown. Make sure it is securely and squarely seated in the bottom of the groove.

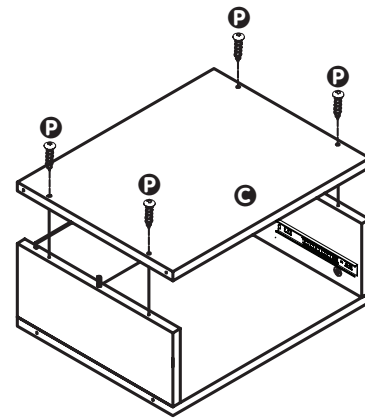


ASSEMBLY

BALKENE —HOME—

4 Locate **Table Bottom** **C**. Position so holes in **Table Bottom** align with holes in edges of **Table Sides** and corners are flush and previously-installed **Dowels** are inserted into the middle hole on each side of the inside of the **Table Bottom**.

Insert **4 Screws** **P** through the 4 holes drilled in the **Table Bottom** and into the holes drilled in the **Table Sides**. Tighten with a screwdriver. Do not overtighten.

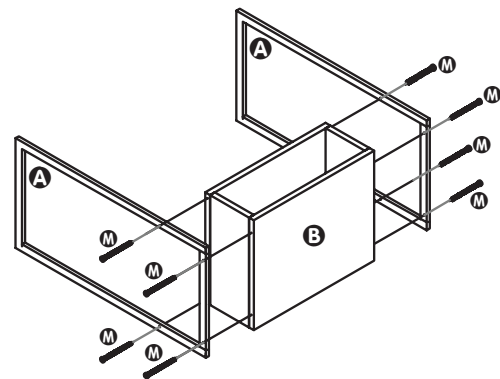


Hardware Used: **P Screw (M4x40mm) x4**

5 Install the first **Leg Frame** **A** by finding the holes drilled near one end and aligning them with the holes drilled in the **Table Top** **B** and **Table Bottom** **C**. Insert **4 Screws** **M** through the **Leg Frame** and into the **Table Top** and **Table Bottom**. Tighten using the **Hex Key** **I**.

Repeat to install the second **Leg Frame**.

Carefully turn the unit upright.

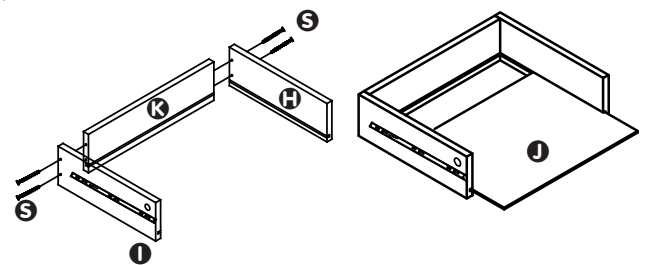


Hardware Used: **M Screw (M7x48mm) x8**

6 Assemble the drawer: locate **Drawer Sides** **H/I** and **Drawer Back** **K**. With the drawer runner on **Drawer Side** **I** facing *out* and the grooves on both pieces aligned on the *inside*, connect **Drawer Side** to **Drawer Back** using **2 Screws** **S** as shown. Tighten using a screwdriver.

Repeat to connect **Drawer Side** **H** to **Drawer Back**.

Slide the **Drawer Bottom** **J** into the groove formed by the **Drawer Sides** **H/I** and **Drawer Back** **K** as shown. Make sure it is securely and squarely seated in the groove.



Hardware Used: **S Screw (M4x30mm) x4**

ASSEMBLY

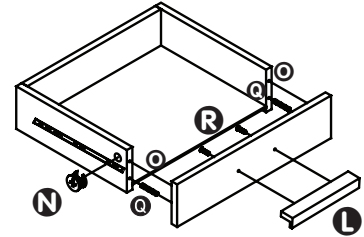
BALKENE —HOME—

7 Locate **Drawer Front** **Ⓞ** and lay flat so the side with 6 holes faces up. Insert **Cam Bolts** **Ⓢ** into the upper hole along each short side and tighten with a screwdriver. Insert **Dowels** **Ⓣ** into the 2 holes just below the **Cam Bolts**. Be sure the **Dowels** are firmly inserted by gently tapping with a rubber mallet.

Attach the **Drawer Handle** **Ⓛ** using two **Screws** **Ⓡ** as shown.

Insert **Cam Lock Nuts** **Ⓝ** in the hole above the drawer runner on each **Drawer Side**. Turn so the small arrow points toward the adjoining hole in the edge of the **Drawer Side**.

Insert the **Cam Bolts** and **Dowels** on the **Drawer Front** into the holes drilled in the edge of each **Drawer Side**. Turn the **Cam Lock Nuts** clockwise with a screwdriver to tighten.

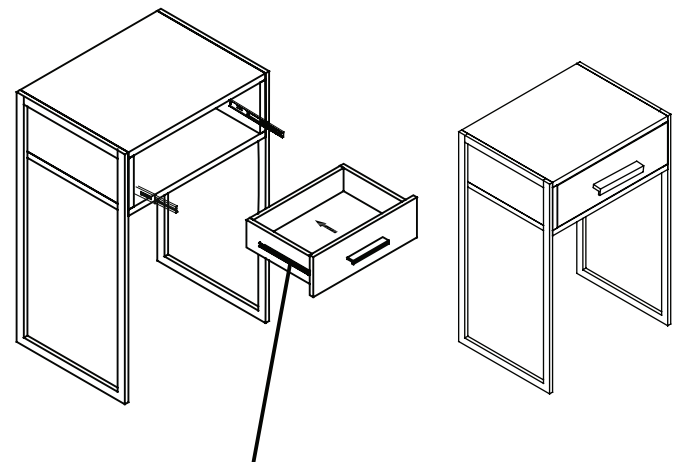


Hardware Used:

- Ⓝ** Cam Lock Nut x2
- Ⓢ** Cam Bolt x2
- Ⓣ** Dowel x2
- Ⓡ** Screw (M4x20mm) x2

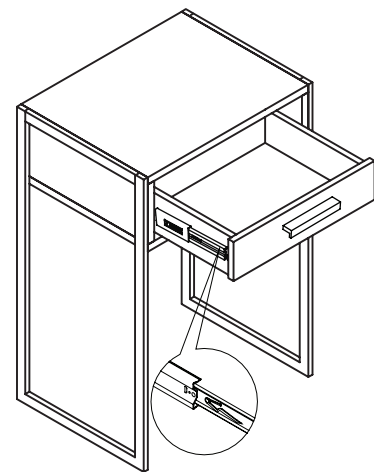
8 Install the drawer by aligning the drawer runners with the drawer tracks as shown and pushing all the way in to attach the runners to the tracks.

Your **Tribeca Collection Bedside Table** is ready for use!



Ensure the drawer runners are aligned.

9 If needed, the drawer can be removed (e.g. for cleaning). Open the drawer all the way, then lift and press the levers on both drawer tracks at the same time to pull the drawer all the way out.



Lift/press the levers to remove the drawer.

BALKENE —HOME—



LIMITED WARRANTY

Customers in the Contiguous US

With proof of purchase from an authorized retailer, this product is warranted for a period of 1 year from original purchase date against defects in materials and workmanship under normal use. This warranty does NOT cover normal wear/weathering, exposure to water, freezing temperatures, oils, fluids, or chemicals OR use in a commercial context if the unit is not designated as a commercial model. At Balkene Home's sole discretion, products under warranty will be repaired and/or replaced at no charge to the customer. Returns sent back to Well Traveled Living must be sent via prepaid freight in the original retail packaging.

For warranty service, contact Balkene Home at the address, phone numbers or website and email listed in this owner's manual. Be sure to have your sales receipt, date of purchase and catalogue/model numbers available when calling. All warranty service will be coordinated by Balkene Home's Amelia Island, Florida service center. This warranty is extended only to the original owner. Proof of purchase will be required before warranty service is rendered. The sales receipt is the only valid proof of purchase. This warranty only covers failures due to defects in materials or workmanship which occur during normal use. Failures and/or damage which result from accident, negligence, misuse, abuse, neglect, mishandling, alteration or modification, failure to maintain, improper assembly or maintenance, service by unauthorized agency or use of unauthorized components or damage that is attributable to acts of God are NOT covered.

This limited warranty gives you specific legal rights and you may also have other rights which vary from jurisdiction to jurisdiction. The provisions of the United Nations Convention on Contracts for the Sales of Goods shall not apply to this limited warranty or the sale of products covered by this limited warranty.

- THERE ARE NO EXPRESS WARRANTIES EXCEPT AS LISTED.
- PURCHASER ASSUMES ALL RISKS IN THE ASSEMBLY AND OPERATION OF THIS UNIT.
- FAILURE TO FOLLOW WARNINGS AND OPERATIONAL INSTRUCTIONS CONTAINED IN THIS MANUAL CAN RESULT IN SEVERE PROPERTY DAMAGE AND/OR PERSONAL INJURY.
- IN NO EVENT WILL BALKENE HOME/WELL TRAVELED LIVING, OR ITS DIRECTORS, OFFICERS OR AGENTS BE LIABLE TO THE PURCHASER OR ANY THIRD PARTY, WHETHER IN CONTRACT, IN TORT, OR ON ANY OTHER BASIS, FOR ANY INDIRECT, SPECIAL, PUNITIVE, EXEMPLARY, CONSEQUENTIAL, OR INCIDENTAL LOSS, COST, OR DAMAGE ARISING OUT OF OR IN CONNECTION WITH THE SALE, MAINTENANCE, USE, OR INABILITY TO USE THE PRODUCT, EVEN IF BALKENE HOME/WELL TRAVELED LIVING OR ITS DIRECTORS, OFFICERS OR AGENTS HAVE BEEN ADVISED OF THE POSSIBILITY OF SUCH LOSSES, COSTS OR DAMAGES, OR IF SUCH LOSSES, COSTS, OR DAMAGES ARE FORESEEABLE. IN NO EVENT WILL BALKENE HOME/WELL TRAVELED LIVING, OR ITS OFFICERS, DIRECTORS, OR AGENTS BE LIABLE FOR ANY DIRECT LOSSES, COSTS OR DAMAGES THAT EXCEED THE PURCHASE PRICE OF THE PRODUCT.
- SOME JURISDICTIONS DO NOT ALLOW THE EXCLUSION OR LIMITATION OF INCIDENTAL OR CONSEQUENTIAL DAMAGES, SO THE ABOVE LIMITATION OR EXCLUSION MAY NOT APPLY TO THE PURCHASER.

EXTEND YOUR WARRANTY

When you purchase a Fire Sense or Balkene Home product from any authorized retailer, you'll have peace of mind in knowing that it comes with a one-year warranty. Extend your warranty for *an additional year* when you review your item at balkenehome.com within 365 days of purchase.



Important Notice

Do NOT return to place of purchase—for customer service and warranty issues:

Call toll-free (866) 985-7877 9 a.m. – 9 p.m., EST
Email cservice@welltraveled.net
Live chat balkenehome.com 9 a.m. – 6 p.m., EST, Monday – Friday

Distributed by:
Well Traveled Living
716 S 8th Street, Amelia Island, FL 32034
balkenehome.com
cservice@welltraveled.net
(866) 985-7877