

Comfort, Quality & Style Since 1998



## Bessemer Patio Fireplace

Item#:01471



### **WARNING** FOR YOUR SAFETY

1. Improper installation, adjustment, alteration, service or maintenance can cause injury or property damage.
2. Read the installation, operation, and maintenance instructions thoroughly before installing or servicing this equipment.
3. Failure to follow these instructions could result in fire or explosion, which could cause property damage, personal injury, or death.

### **WARNING**

For Outdoor Use Only

### **WARNING**

This product can expose you to chemicals including carbon monoxide which is known to the State of California to cause birth defects or other reproductive harm. For more information go to [www.P65Warnings.ca.gov](http://www.P65Warnings.ca.gov).



### **ATTACH YOUR RECEIPT HERE**

Keep a copy of your proof of purchase or order confirmation which will be needed if you need to contact us about warranty coverage.

Purchase Date: \_\_\_\_\_



## Questions, problems, missing parts?

Before returning to your retailer, our exceptional customer service is available.

Call toll-free

**(866) 985-7877**

9 a.m. – 9 p.m., EST

Email

[cservice@welltraveled.net](mailto:cservice@welltraveled.net)

Live chat

[www.wtliving.com](http://www.wtliving.com)

9 a.m. – 4 p.m., EST, Monday – Friday



## TABLE OF CONTENTS

Table of Contents	Page 2
Before You begin	Page 2
Safety Information	Page 3
Package Contents	Page 4
Hardware Contents	Page 4
Assembly	Page 5-8
Care and Maintenance	Page 9
Warranty Information	Page 10



### BEFORE YOU BEGIN

Please read and understand this entire manual before attempting to assemble, operate or install this appliance. If you have any questions regarding the product, please contact Customer Service:

Call toll-free	(866) 985-7877	9 a.m. - 9 p.m., EST
Email	<a href="mailto:cservice@welltraveled.net">cservice@welltraveled.net</a>	
Live chat	<a href="http://www.wtliving.com">www.wtliving.com</a>	9 a.m. - 4 p.m., EST, Monday - Friday

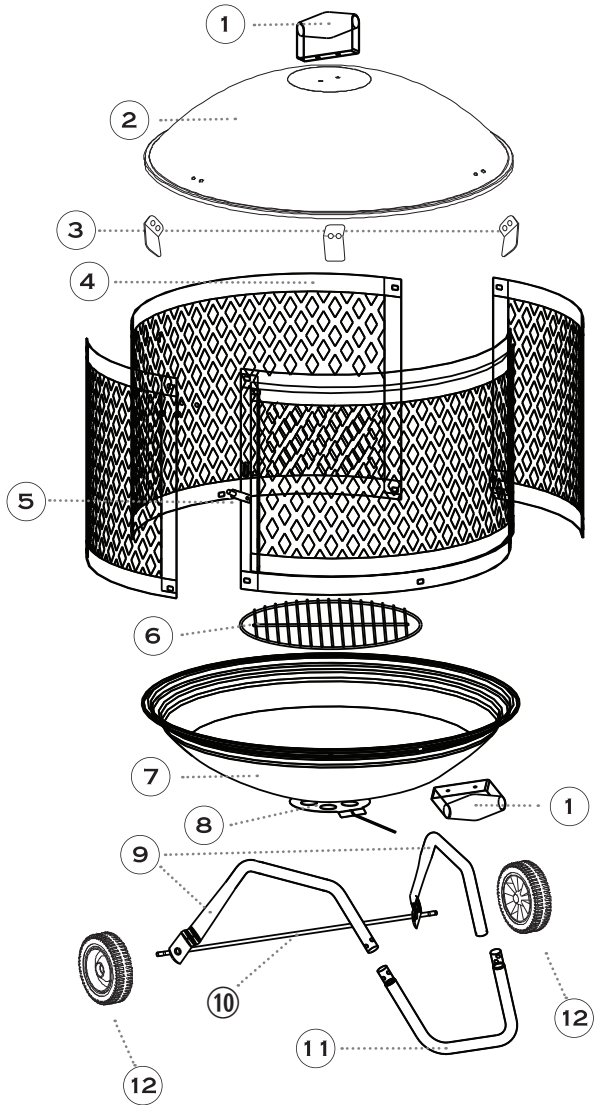
This manual contains important information about the assembly, operation and maintenance of this patio fireplace. General safety information is presented in the first few pages and is also located throughout this manual. Keep this manual for future reference and to educate new users of this appliance.



## **WARNING** **FOR YOUR SAFETY**

1. This appliance is for outdoor use only, and should NOT be used in a building, garage, or any other enclosed area.
2. Do NOT use this outdoor fireplace for indoor heating. TOXIC carbon monoxide fumes can accumulate and cause asphyxiation.
3. This outdoor fireplace is NOT for commercial use.
4. This outdoor fireplace is NOT to be operated by children.
5. This outdoor fireplace is NOT to be used on boats or recreational vehicles.
6. Always use in accordance with all applicable local, state and national codes. Contact your local fire department for details on outdoor burning.
7. When using this outdoor fireplace, exercise the same precautions you would with any open fire.
8. The use of alcohol, prescription or non-prescription drugs may impair the consumer's ability to properly assemble or safely operate this outdoor fireplace.
9. Do NOT use this outdoor fireplace without reading the entire "Owner's Manual".
10. This outdoor fireplace is for use with dry, seasoned hardwood. It will burn hotter, more completely and create less smoke.
11. Do NOT burn charcoal briquets, lump charcoal, manufactured logs, driftwood, trash, leaves, paper, cardboard, plywood, painted, stained or pressure treated wood. Avoid using softwoods such as pine or cedar that can throw sparks. Before using this outdoor fireplace, fill with several pounds of sand to help insulate the bottom bowl from the fire.
12. Do NOT alter this outdoor fireplace in any manner.
13. Do NOT use this outdoor fireplace until it is COMPLETELY assembled and all parts are securely fastened and tightened.
14. Do NOT store or use gasoline or other flammable vapors or liquids in the vicinity of this or any other appliance.
15. Do NOT store or use an LP gas cylinder within 10 feet (3.05 m) of this outdoor fireplace while it is in operation.
16. Do NOT use this outdoor fireplace near automobiles, trucks, vans or recreational vehicles.
17. Do NOT use in an explosive atmosphere. Keep outdoor fireplace area clear and free from combustible materials, gasoline and other flammable liquids.
18. Do NOT use this outdoor fireplace under any overhead or near any unprotected combustible constructions. Avoid using near or under overhanging trees and shrubs.
19. Always use this outdoor fireplace on a hard, level non-combustible surface such as concrete, rock or stone. An asphalt or blacktop surface may not be acceptable for this purpose. Do NOT use on wooden decks.
20. Always empty this outdoor fireplace before each use. Leave a thin layer of ash to protect the bottom.
21. Do NOT wear flammable or loose clothing when operating this outdoor fireplace.
22. Do NOT use in windy conditions.
23. Do NOT use this outdoor fireplace unless spark guards are securely in place.
24. Do NOT use gasoline, kerosene, diesel fuel, lighter fluid or alcohol to light or relight fires.
25. Keep all electrical cords away from hot fireplace.
26. All surfaces of this outdoor fireplace are hot when in operation. To avoid burns, do NOT touch fireplace until it has completely cooled unless you are wearing protective gear (pot holders, gloves, BBQ mittens, hot pads, etc). Never touch ashes or coals to see if they are hot.
27. Do NOT leave a lit outdoor fireplace unattended, especially around children and pets.
28. Do NOT attempt to move or store this outdoor fireplace until all ashes and coals are completely extinguished.
29. Do NOT remove ashes or coals until they are completely and fully extinguished.
30. Use heat-resistant gloves or hot pads when contacting handles.
31. Use long, sturdy fireplace tools when adding or moving logs.
32. Do NOT place wood directly into bottom of the outdoor fireplace. Place wood only on the wood grate.
33. Do NOT overload the fireplace. Do not add additional firewood until the fire burns down. NOTICE: If any portion of the bowl, lid or spark guards of this outdoor fireplace are glowing red it is overloaded.
34. Do NOT lean over this outdoor fireplace when lighting or when in use.
35. Do NOT place a hot spark guard or hot fireplace tools onto combustible surfaces such as grass, wooden deck or furniture.
36. Avoid breathing smoke from the fire and avoid getting it into your eyes.
37. This outdoor fireplace should be thoroughly inspected and cleaned on a regular basis.
38. After a period of storage and/or non-use, check for signs of damage and creosote build-up. Do NOT operate until necessary repairs and/or clean-up are executed.
39. Deaths, serious injury or damage to property may occur if the above is not followed exactly.
40. CAUTION: It is not recommended to use this fire pit (fire place) on a wooden or other combustible surface or any surface that is not entirely resistant to high heat. However, if you intend to use this item on a wooden deck other combustible surface or any surface that is not entirely resistant to high heat, you must use a non-flammable and heat resistant material such as concrete pavers, brick or stone between the fire pit (fire place) and the surface.

# PACKAGE CONTENTS



PART	DESCRIPTION	QUANTITY
1	Handle	2
2	Lid	1
3	Lid Retainer	3
4	Screens/Screen Door	3/1
5	Door Latch	1
6	Grate	1
7	Bowl	1
8	Air Vent	1
9	Leg Stand	2
10	Axle	1
11	U-Leg	1
12	Wheels	2



## HARDWARE CONTENTS



**A**  
M6x15  
Screw/Nut  
Qty: 28



**B**  
M6x9 Lock  
Washer  
Qty: 34



**C**  
M6x18  
Washer  
Qty: 34



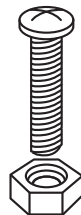
**D**  
M5x10  
Screw/Lock Nut  
Qty: 1



## TOOLS REQUIRED

(Not included)

- Adjustable Wrench (or 10mm and 8mm Wrenches)
- Pliers
- Phillips-head Screwdriver



**E**  
M6x35  
Screw/Nut  
Qty: 6



**F**  
M12x22  
Washer  
Qty: 2



**G**  
M10 Lock Nut  
Qty: 2



**H**  
M5x10  
Screw/Nut  
Qty: 1



**I**  
Connecting  
Bracket  
Qty: 8  
(Not in blister pack)



## PREPARATION

Before beginning assembly, be sure to empty contents of carton and make sure all parts are present. If any parts are missing, please contact Customer Service.

Place all parts on a soft, level surface for assembly. You will need a **10mm wrench**, an **8mm wrench**, and a **Phillips screwdriver** for assembly.

**1** Align holes in **Lid Retainer** ③ to interior holes in **Lid** ②.  
Slide **M6x18 Washer** ④ onto **M6x15 Screw** ①, then insert through holes and secure with **M6x9 Lock Washer** ⑤ and **M6x15 Nut** ②. Repeat with remaining 2 **Lid Retainers**. Tighten hardware.

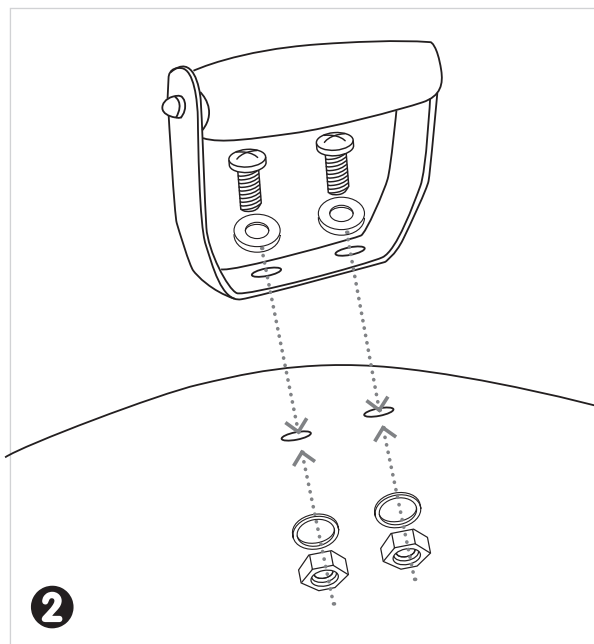
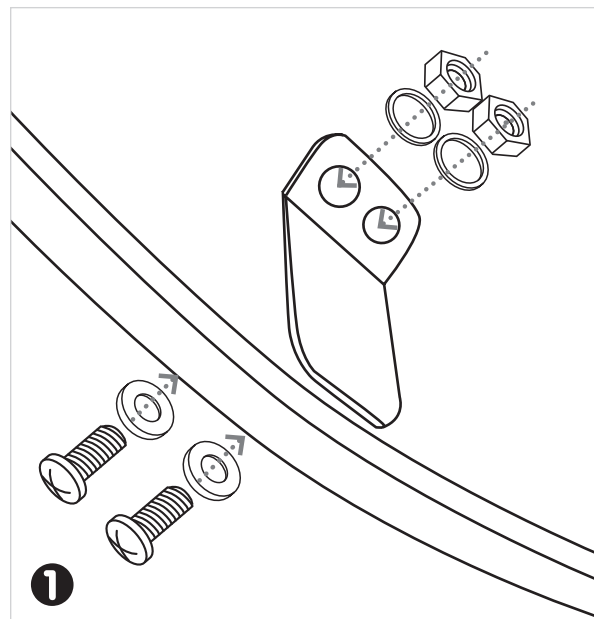


**Hardware Used:** 6x M6x15 Screw/Nut,  
M6x9 Lock Washer,  
M6x18 Washer

**2** Align holes in **Handle** ① with exterior holes in **Lid** ②.  
Slide **M6x18 Washer** ④ onto **M6x15 Screw** ①, then insert through holes and secure with **M6x9 Lock Washer** ⑤ and **M6x15 Nut** ②. Tighten hardware.



**Hardware Used:** 2x M6x15 Screw/Nut,  
M6x9 Lock Washer,  
M6x18 Washer



**3** Align holes in **Connecting Brackets** **1** with the **Screens** and the **Screen Door** **4**. (Note: Connecting brackets should be placed on *INSIDE* of screens). Slide **M6x18 Washer** **C** onto **M6x15 Screw** **A** and through the hole in the **Connecting Bracket** and **Screen**. Secure with **M6x9 lock Washer** **B** and **M6x15 Nut** **A**. Repeat with remaining **Connecting Brackets**.



**Hardware Used:** 8x Connecting Brackets

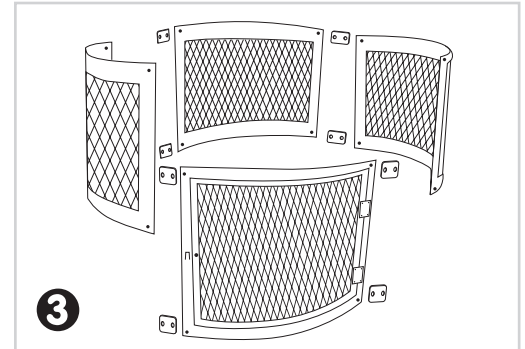
16x M6x15 Screw/Nut,



M6x9 Lock Washer,



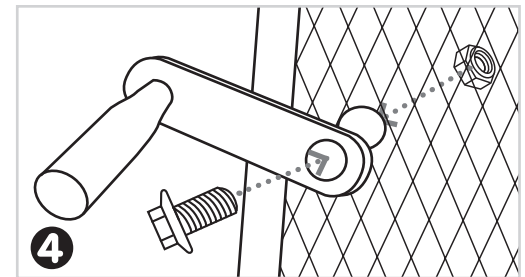
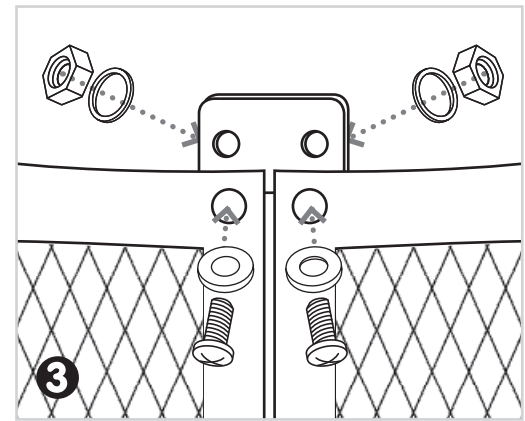
M6x18 Washer



**4** To attach the **Door Latch** **5**, align the hole in the **Door Latch** with the hole in the **Screen Door** **4** and insert **M5x10 Screw** **D** and secure with **M5x10 Lock Nut** **D**. Tighten all hardware.



**Hardware Used:** 1x M5x10 Screw/Lock Nut



**5** Insert the **U-Leg** **11** into the ends of the 2 **Leg Stands** **9** and align holes. Slide **M6x18 Washer** **C** onto **M6x35 Screw** **E**, then insert through holes and secure with **M6x9 Lock Washer** **B** and **M6x35 Nut** **E**. Repeat for other side. Insert **Axle** **10** through the holes on one **Leg Stand**, then bend back other **Leg Stand** and insert other end of axle. Slide **Wheel** **12** over end of **Axle**. Place **M12x22 Washer** **F** over end of **Axle**. Secure **Wheel** with **M10 Lock Nut** **G**. Repeat for other side. Tighten all hardware.



**Hardware Used:** 2x M6x35 Screw,

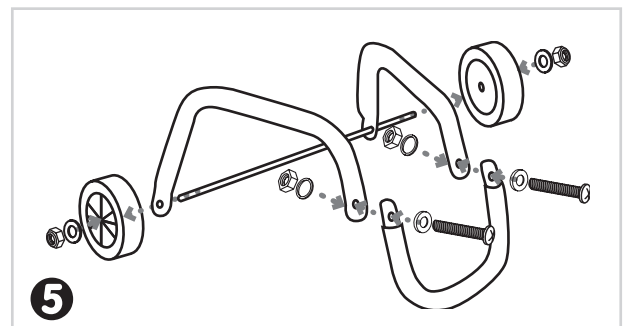
M6x9 Lock Washer,



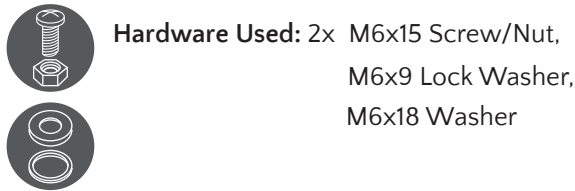
M6x18 Washer, M6x35 Nut,



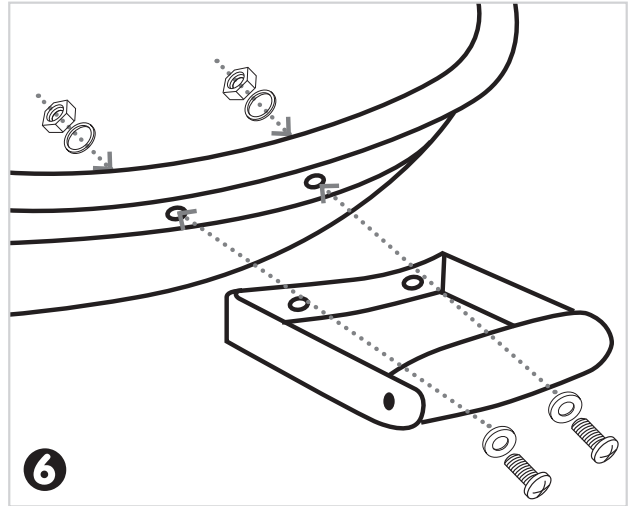
M12x22 Washer, M10 Lock Nut



**6** Attach **Handle** (1) to **bowl** (7). Slide **M6x18 Washer** (C) onto **M6x15 Screw** (A), then insert through holes and secure with **M6x9 Lock Washer** (B) and **M6x15 Nut** (A).

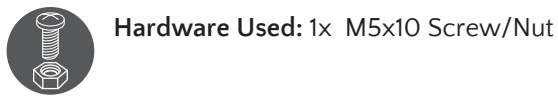


**Hardware Used:** 2x M6x15 Screw/Nut,  
M6x9 Lock Washer,  
M6x18 Washer

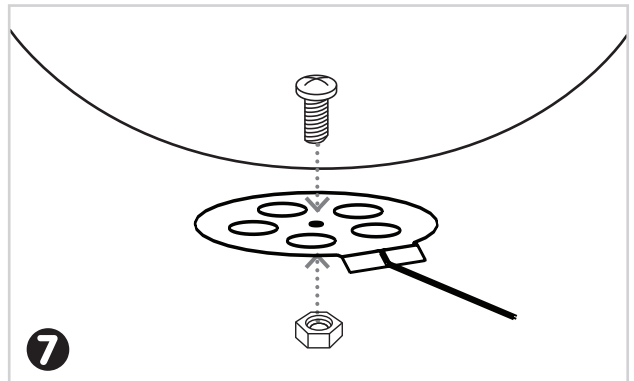


**7** Attach **Air Vent** (8) to **Bowl** (7) using **M5x10 Screw/Nut** (H).

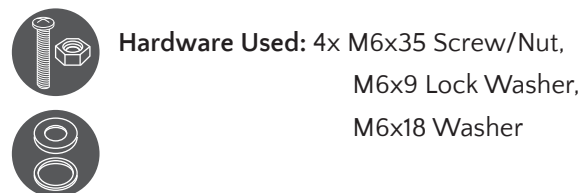
**NOTE:** When the fire bowl is in use, it is best to keep the air vent closed as opening the air vent will decrease the air circulation and cause your fire to diminish.



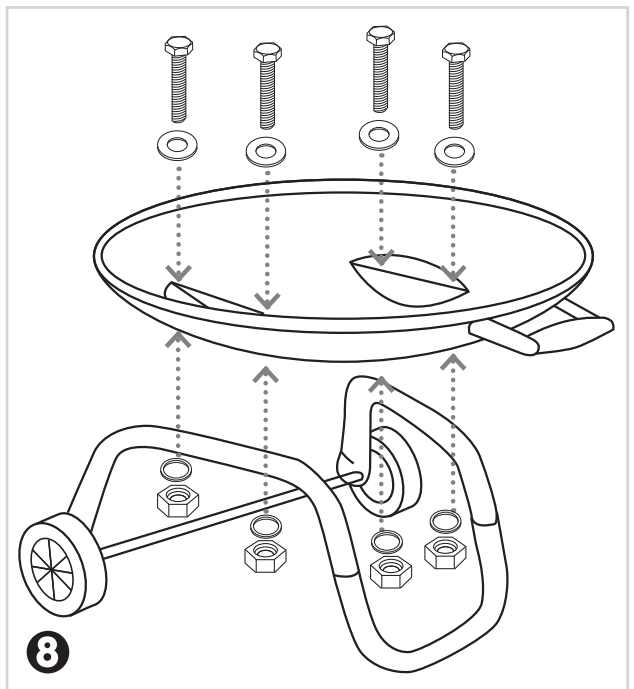
**Hardware Used:** 1x M5x10 Screw/Nut



**8** Place **Bowl** (7) on leg assembly. Be sure the **Handle** (1) is directly above the **U-Leg** (11). Align holes in **bowl** with the holes in the leg stand assembly. Slide **M6x18 Washer** (C) onto **M6x35 Screw** (E), then insert through holes in the **bowl** and **Leg Assembly** and secure with **M6x9 Lock Washer** (B) and **M6x35 Nut** (E). Repeat for other side. Tighten all hardware.



**Hardware Used:** 4x M6x35 Screw/Nut,  
M6x9 Lock Washer,  
M6x18 Washer



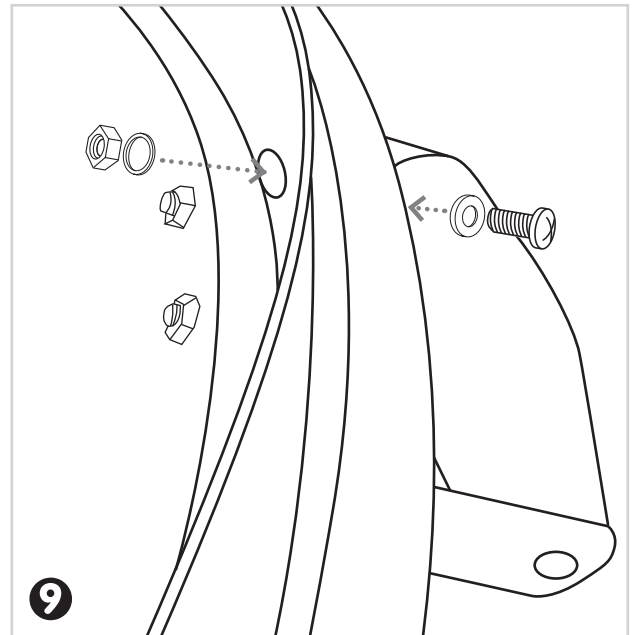
# ASSEMBLY



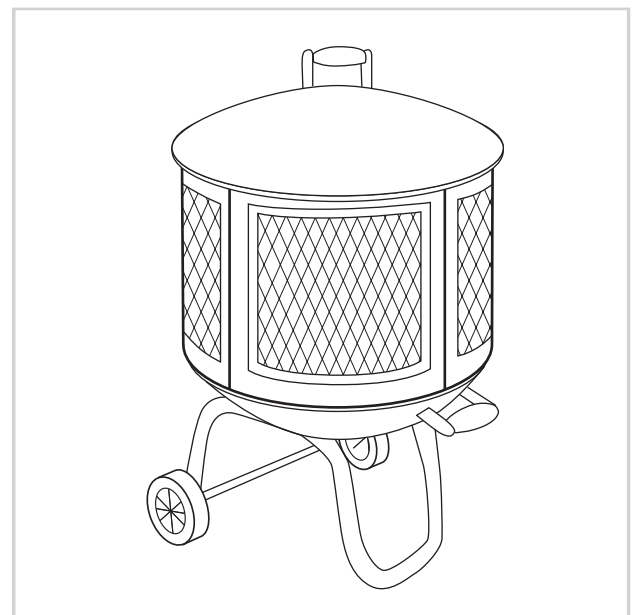
**9** Secure assembled spark screen by aligning holes in front (near **Handle**) and rear of  **Bowl** with holes in center of  **Screen Door** and the  **Screen** opposite it. Slide  **M6x18 Washer C** onto  **M6x15 Screw A**, then insert through holes and secure with  **M6x9 Lock Washer B** and  **M6x15 Nut A**.



**Hardware Used:** 2x M6x15 Screw/Nut,  
M6x9 Lock Washer,  
M6x18 Washer



**10** Place  **Grate 6** in the  **Bowl 7** and place the  **Lid 2** on top.







## CLEANING AND CARE:

Congratulations on your purchase of this patio fireplace. This product is comprised of steel with an enameled surface and mesh wire screen. Be sure to read ALL safety and operating instructions contained in this manual.

## INSPECTING:

This outdoor fireplace should be inspected on a regular basis to ensure product safety and longer product life. Do NOT attempt to inspect this outdoor fireplace until the fire is COMPLETELY out.

1. Check handles to make sure they are secure.
2. Check components for any signs of damage or rust.
3. If damage to any component is detected, do NOT operate until repairs are executed.

## CLEANING:

- This outdoor fireplace should be cleaned on a regular basis to promote safer use and longer product life.
  - NOTE: After repeated use, a slight discoloration of the finish may occur.
  - Do NOT attempt to clean this outdoor fireplace until the fire is COMPLETELY out.
  - Do NOT use over cleaner or abrasive cleaners as they will damage this product.
  - Do NOT clean any part of this outdoor fireplace in a self cleaning oven as it may damage the finish.
1. Wipe exterior surfaces with a mild dishwashing detergent or baking soda.
  2. For stubborn surfaces use a citrus based degreaser and a nylon scrubbing brush.
  3. Rinse clean with water.
  4. Remove build-up creosote from components with a chimney cleaning product.

## STORAGE:

**Do NOT move or store this outdoor fireplace until the fire is COMPLETELY out.**

1. Once the fire is out, coals are cold and the outdoor fireplace is cool to the touch, remove ashes and properly dispose.
2. Cover outdoor fireplace with a durable vinyl cover designed to fit this unit. Do not cover until unit is completely cooled.
3. Store assembled in a location away from children and pets.

NOTE: If you do not use a cover, store this outdoor fireplace in a dry location to maximize product life.



by

BALKENE  
—HOME—



## LIMITED WARRANTY

Customers in the Contiguous US

This product is warranted for a period of 1 year from original purchase date against defects in materials and workmanship under normal use. This warranty does NOT cover normal wear/weathering, exposure to water, freezing temperatures, oils, fluids, or chemicals, OR use in a commercial application if model is not designated as a commercial model. At Well Traveled Living's sole discretion, products under warranty will be repaired and/or replaced at no charge to the customer. Returns sent back to Well Traveled Living must be sent via prepaid freight in the original retail packaging.

For warranty service, contact Well Traveled Living at the address, phone numbers or website and email listed in this owner's manual. Be sure to have your sales receipt, date of purchase and catalogue/model numbers available when calling. All warranty service will be coordinated by Well Traveled Living's, Amelia Island, Florida service center. This warranty is extended only to the original owner. Proof of purchase will be required before warranty service is rendered. The sales receipt is the only valid proof of purchase. This warranty only covers failures due to defects in materials or workmanship which occur during normal use. Failures and/or damage which result from accident, negligence, misuse, abuse, neglect, mishandling, alteration or modification, failure to maintain, improper assembly or maintenance, service by unauthorized agency or use of unauthorized components or damage that is attributable to acts of God are NOT covered.

This limited warranty gives you specific legal rights and you may also have other rights which vary from jurisdiction to jurisdiction. The provisions of the United Nations Convention on Contracts for the Sales of Goods shall not apply to this limited warranty or the sale of products covered by this limited warranty.

- THERE ARE NO EXPRESS WARRANTIES EXCEPT AS LISTED
- PURCHASER ASSUMES ALL RISKS IN THE ASSEMBLY AND OPERATION OF THIS UNIT
- FAILURE TO FOLLOW WARNINGS AND OPERATIONAL INSTRUCTIONS CONTAINED IN THIS MANUAL CAN RESULT IN SEVERE PROPERTY DAMAGE AND/OR PERSONAL INJURY
- IN NO EVENT WILL WELL TRAVELED LIVING, OR ITS DIRECTORS, OFFICERS OR AGENTS BE LIABLE TO THE PURCHASER OR ANY THIRD PARTY, WHETHER IN CONTRACT, IN TORT, OR ON ANY OTHER BASIS, FOR ANY INDIRECT, SPECIAL, PUNITIVE, EXEMPLARY, CONSEQUENTIAL, OR INCIDENTAL LOSS, COST, OR DAMAGE ARISING OUT OF OR IN CONNECTION WITH THE SALE, MAINTENANCE, USE, OR INABILITY TO USE THE PRODUCT, EVEN IF WELL TRAVELED LIVING OR ITS DIRECTORS, OFFICERS OR AGENTS HAVE BEEN ADVISED OF THE POSSIBILITY OF SUCH LOSSES, COSTS OR DAMAGES, OR IF SUCH LOSSES, COSTS, OR DAMAGES ARE FORESEEABLE. IN NO EVENT WILL WELL TRAVELED LIVING, OR ITS OFFICERS, DIRECTORS, OR AGENTS BE LIABLE FOR ANY DIRECT LOSSES, COSTS OR DAMAGES THAT EXCEED THE PURCHASE PRICE OF THE PRODUCT.
- SOME JURISDICTIONS DO NOT ALLOW THE EXCLUSION OR LIMITATION OF INCIDENTAL OR CONSEQUENTIAL DAMAGES, SO THE ABOVE LIMITATION OR EXCLUSION MAY NOT APPLY TO THE PURCHASER.

## EXTEND YOUR WARRANTY

When you purchase a Fire Sense or Balkene Home product, you'll have peace of mind in knowing that it comes with a one-year warranty. Extend your warranty for *an additional year* when you write a review of your purchase on [www.wtliving.com](http://www.wtliving.com) within 365 days of purchase.



### Important Notice

Do NOT return to place of purchase—for customer service and warranty issues:

Call toll-free	<b>(866) 985-7877</b>	9 a.m. – 9 p.m., EST
Email	<b><a href="mailto:cservice@welltraveled.net">cservice@welltraveled.net</a></b>	
Live chat	<b><a href="http://www.wtliving.com">www.wtliving.com</a></b>	9 a.m. – 4 p.m., EST, Monday – Friday

Distributed by:

Well Traveled Living

716 S 8th Street, Amelia Island, FL 32034

[wtliving.com](http://wtliving.com) | [cservice@welltraveled.net](mailto:cservice@welltraveled.net)

(866) 985-7877