



48" Sleeve Hitch Landscape Rake

OWNER'S MANUAL



WARNING:

Read carefully and understand all **ASSEMBLY AND OPERATION INSTRUCTIONS** before operating. Failure to follow the safety rules and other basic safety precautions may result in serious personal injury.

Model # FTF-48SHLR

Thank you very much for choosing this product! For future reference, please complete the owner's record below:

Model: _____ Purchase Date: _____

Save the receipt, warranty and these instructions. It is important that you read the entire manual to become familiar with this product before you begin using it.

This product is designed for certain applications only. The manufacturer cannot be responsible for issues arising from modification. We strongly recommend this product not be modified and/or used for any application other than that for which it was designed. If you have any questions relative to a particular application, DO NOT use the product until you have first contacted us to determine if it can or should be performed on the product.

For technical questions please call **1-218-943-6296**.

TECHNICAL SPECIFICATIONS

Item	Description
Working Width	48 inch wide
Tines	24 heat-treated durable tines
Angle	+/- 24 degree
Material	Steel

GENERAL SAFETY RULES



WARNING: Read and understand all instructions. Failure to follow all instructions listed below may result in serious injury.



CAUTION: Do not allow persons to operate or assemble this 48" Sleeve Hitch Landscape Rake until they have read this manual and have developed a thorough understanding of how the 48" Sleeve Hitch Landscape Rake works.



WARNING: The warnings, cautions, and instructions discussed in this instruction manual cannot cover all possible conditions or situations that could occur. It must be understood by the operator that common sense and caution are factors which cannot be built into this product, but must be supplied by the operator.

SAVE THESE INSTRUCTIONS

WORK AREA

- **Keep work area clean**, free of clutter and well lit. Cluttered and dark work areas can cause accidents.
- **Keep children and bystanders** away while operating a 48" Sleeve Hitch Landscape Rake. Distractions can cause you to lose control, so visitors should remain at a safe distance from the work area.
- **Be alert of your surroundings.** Using a 48" Sleeve Hitch Landscape Rake in confined work areas may put you dangerously close to cutting tools and rotating parts.

PERSONAL SAFETY

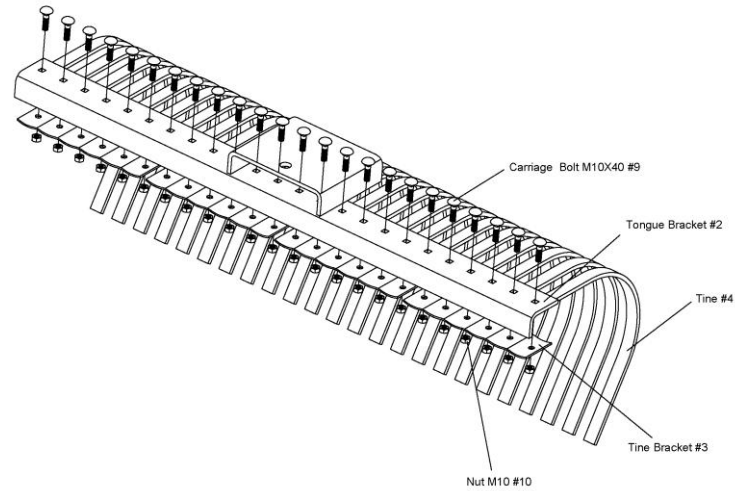
- **Stay alert**, watch what you are doing and use common sense when using a 48" Sleeve Hitch Landscape Rake. Do not use a 48" Sleeve Hitch Landscape Rake while you are tired or under the influence of drugs, alcohol or medication. A moment of inattention while operating a 48" Sleeve Hitch Landscape Rake may result in serious personal injury.
- **Dress properly.** Do not wear loose clothing, dangling objects, or jewelry. Keep your hair, clothing and gloves away from moving parts. Loose clothes, jewelry or long hair can be caught in moving parts.
- **Use safety apparel and equipment.** Use safety goggles or safety glasses with side shields which comply with current national standards, or when needed, a face shield. Use a dust mask if working in dusty work conditions. This applies to all persons in the work area. Also use non-skid safety shoes, hardhat, heavy-duty gloves, dust collection systems, and hearing protection when appropriate.

48" Sleeve Hitch Landscape Rake USE AND CARE

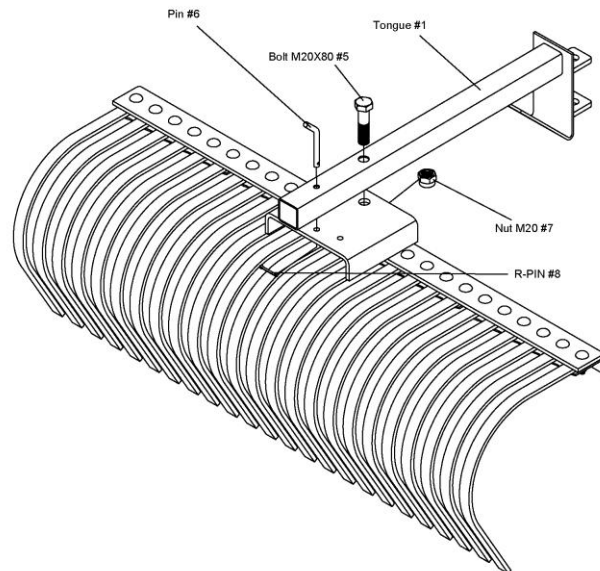
- **Do not modify the 48" Sleeve Hitch Landscape Rake in any way.** Unauthorized modification may impair the function and/or safety and could affect the life of the equipment. There are specific applications for which the 48" Sleeve Hitch Landscape Rake was designed.
- **Always check for damaged or worn out parts before using the 48" Sleeve Hitch Landscape Rake.** Broken parts will affect the 48" Sleeve Hitch Landscape Rake operation. Replace or repair damaged or worn parts immediately.
- **Do not exceed the 48" Sleeve Hitch Landscape Rake load capacity.**
- **Distribute the load evenly.** Uneven loads may cause the 48" Sleeve Hitch Landscape Rake to tip, resulting in personal injury to the operator or others.
- **Use the 48" Sleeve Hitch Landscape Rake on flat and level surfaces** capable of supporting the 48" Sleeve Hitch Landscape Rake and its maximum load. Pulling or pushing a load on a slanted or uneven surface can result in loss of control.
- **Store idle 48" Sleeve Hitch Landscape Rake.** When 48" Sleeve Hitch Landscape Rake is not in use, store it in a secure place out of the reach of children. Inspect it for good working condition prior to storage and before re-use.

ASSEMBLY

1. Put the Tines (#4) under the Tongue Bracket (#2) and secure with Tine Bracket (#3). Put Carriage Bolt (#9) through the Tongue Bracket (#2), secure with Nut (#10).



2. Attach the Tongue (#1) with Bolt (#5), Nut (#7), Pin (#6) and R-pin (#8). Adjust the angle by using Pin (#6) and R-pin (#8) when necessary.



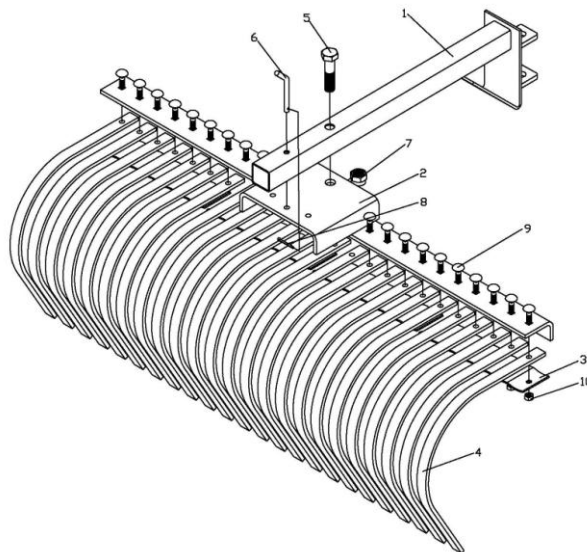
OPERATION

- Check hardware to make sure nuts are tight after each use.

MAINTENANCE

- **Maintain your 48" Sleeve Hitch Landscape Rake.** It is recommended that the general condition of any 48" Sleeve Hitch Landscape Rake be examined before it is used. Keep your 48" Sleeve Hitch Landscape Rake in good repair by adopting a program of conscientious repair and maintenance. If any abnormal vibrations or noise occurs, have the problem corrected before further use. Have necessary repairs made by qualified service personnel.

DIAGRAM & PARTS LIST



Part#	Description	Qty.
1	Tongue	1
2	Tongue Bracket	1
3	Tine Bracket	4
4	Tine	24
5	Bolt M20x80	1
6	Pin	1
7	Nut M20	1
8	R-Pin	1
9	Carriage Bolt M10x40	24
10	Nut M10	24

For replacement parts and technical questions, please call **1-218-943-6296**.

WARRANTY

One-year limited parts warranty



PO BOX 203
 Miltona, MN 56354
 Made in China