

3pt Garden Bedder/Hiller

OWNER'S MANUAL



WARNING:

Read carefully and understand all **ASSEMBLY AND OPERATION INSTRUCTIONS** before operating. Failure to follow the safety rules and other basic safety precautions may result in serious personal injury.

Item# FTF-214GB

Thank you very much for choosing this product! For future reference, please complete the owner's record below:

Model: _____ Purchase Date: _____

Save the receipt, warranty and these instructions. It is important that you read the entire manual to become familiar with this product before you begin using it.

This product is designed for certain applications only. The manufacturer cannot be responsible for issues arising from modification. We strongly recommend this product not be modified and/or used for any application other than that for which it was designed. If you have any questions relative to a particular application, DO NOT use the product until you have first contacted us to determine if it can or should be performed on the product.

For technical questions please call **1-218-943-6296**.

INTENDED USE

The Garden Bedder/Hiller is designed to fit Category 1, 3pt tractors. The Garden Bedder/Hiller comes equipped with two disc blades that are adjustable in width. Simply adjust by moving the u-bolts to the desired spacing and width. The depth is also adjustable by using the 3pt position of your tractor. This Garden Bedder/Hiller attachment, also known as a row hiller, raises the planting area before planting or can be used to hill the garden after planted.

GENERAL SAFETY RULES



WARNING: Read and understand all instructions. Failure to follow all instructions listed below may result in serious injury.



CAUTION: Do not allow persons to operate or assemble this garden bedder/hiller until they have read this manual and have developed a thorough understanding of how the garden bedder/hiller works.



WARNING: The warnings, cautions, and instructions discussed in this instruction manual cannot cover all possible conditions or situations that could occur. It must be understood by the operator that common sense and caution are factors which cannot be built into this product, but must be supplied by the operator.

SAVE THESE INSTRUCTIONS

WORK AREA

- **Keep work area clean**, free of clutter and well lit. Cluttered and dark work areas can cause accidents.
- **Keep children and bystanders** away while operating a garden bedder/hiller. Distractions can cause you to lose control, so visitors should remain at a safe distance from the work area.
- **Be alert of your surroundings.** Using a garden bedder/hiller in confined work areas may put you dangerously close to cutting tools and rotating parts.

PERSONAL SAFETY

- **Stay alert**, watch what you are doing and use common sense when using a garden bedder/hiller. Do not use a garden bedder/hiller while you are tired or under the influence of drugs, alcohol or medication. A moment of inattention while operating a garden bedder/hiller may result in serious personal injury.
- **Dress properly.** Do not wear loose clothing, dangling objects, or jewelry. Keep your hair, clothing and gloves away from moving parts. Loose clothes, jewelry or long hair can be caught in moving parts.
- **Use safety apparel and equipment.** Use safety goggles or safety glasses with side shields which comply with current national standards, or when needed, a face shield. Use a dust mask if working in dusty work conditions. This applies to all persons in the work area. Also use non-skid safety shoes, hardhat, gloves, dust collection systems, and hearing protection when appropriate.

GARDEN BEDDER/HILLER USE AND CARE

- **Do not modify the garden bedder/hiller in any way.** Unauthorized modification may impair the function and/or safety and could affect the life of the equipment. There are specific applications for which the garden bedder/hiller was designed.
- **Always check for damaged or worn out parts before using the garden bedder/hiller.** Broken parts will affect the garden bedder/hiller operation. Replace or repair damaged or worn parts immediately.
- **Do not exceed the garden bedder/hiller load capacity.**
- **Distribute the load evenly.** Uneven loads may cause the garden bedder/hiller to tip, resulting in personal injury to the operator or others.
- **Use the garden bedder/hiller on flat and level surfaces** capable of supporting the garden bedder/hiller and its maximum load. Pulling or pushing a load on a slanted or uneven surface can result in loss of control.
- **Store idle garden bedder/hiller.** When the garden bedder/hiller is not in use, store it in a secure place out of the reach of children. Inspect it for good working condition prior to storage and before re-use.

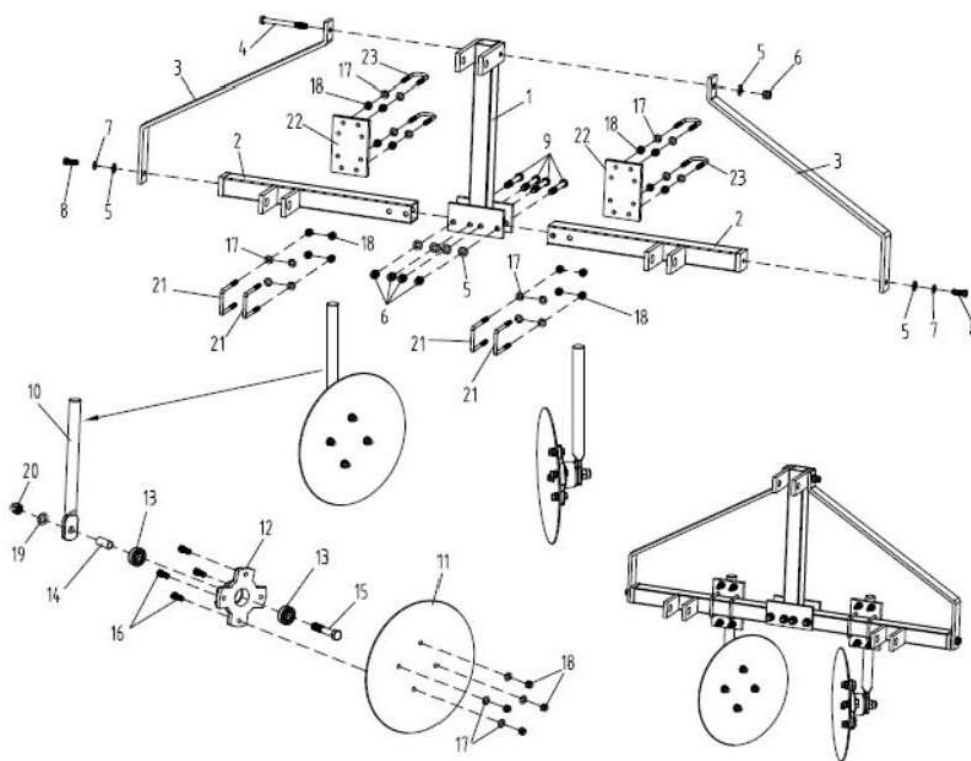
ASSEMBLY

1. Connect 2pcs Left/Right Arm (# 2) to the Main Post (#1) with Washer (#5), Nut (#6) and Bolt (#9).
2. Attach Support Bar (#3) to the Main Post (#1) and Left/Right Arm (# 2) with Bolt (#4), Washer (#5), Nut (#6), Spring Washer (#7) and Screw (#8).
3. Install Hub (#12) and Shaft (#10) with hardware kits of Bearing (#13), Pin Shaft (#14), Shaft Bolt (#15), Bolt (#16), Washer (#19) and Nut (#20).
4. Connect the whole set with Disc (#11) with Washer (#17) and Nut (#18).
5. Attach Mounting Plate (#22) to Left/Right Arm (#2) using Washer (#17), Nut (#18) and U Bolt (#21).
6. Finally install Disc set to Mounting Plate (#22) with Washer (#17), Nut (#18) and U Bolt (#23)

MAINTENANCE

- Maintain your garden bedder/hiller.** It is recommended that the general condition of any garden bedder/hiller be examined before it is used. Keep your garden bedder/hiller in good repair by adopting a program of conscientious repair and maintenance. If any abnormal vibrations or noise occurs, have the problem corrected before further use. Have necessary repairs made by qualified service personnel.

DIAGRAM & PARTS LIST



Part#	Description	Qty.	Part#	Description	Qty.
1	Main Post	1	13	Bearing	4
2	Left/Right Arm	2	14	Pin Shaft	2
3	Support Bar	2	15	Shaft Bolt	2
4	Bolt M10*90	1	16	Bolt M10*40	8
5	Washer M12	7	17	Washer M10	24
6	Nut M12	5	18	Nut M10	24
7	Spring Washer M12	2	19	Washer M16	2
8	Screw M10*40	2	20	Nut M16	2
9	Bolt M10*90	4	21	U Bolt M10	4
10	Shaft	2	22	Mounting Plate	2
11	Disc	2	23	U Bolt M10	4
12	Hub	2			

For replacement parts and technical questions, please call **1-218-943-6296**.

WARRANTY

One-year limited parts warranty



TG
PO BOX 203
Miltona, MN 56354