








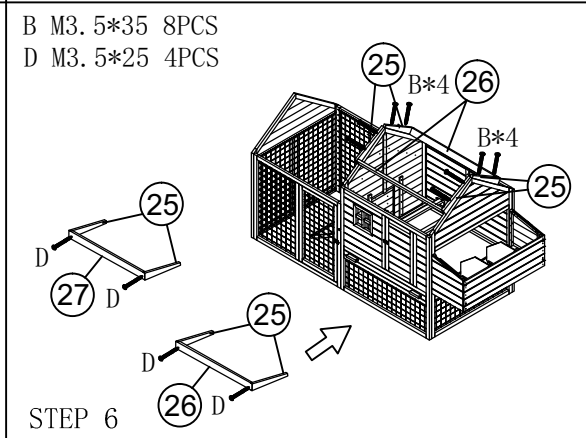
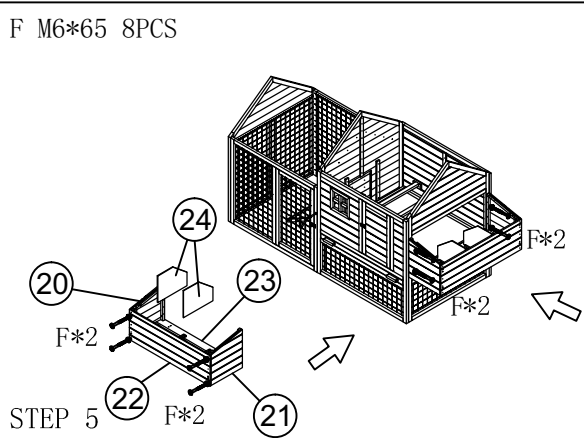
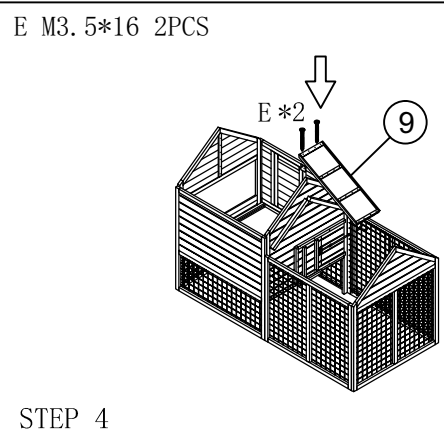
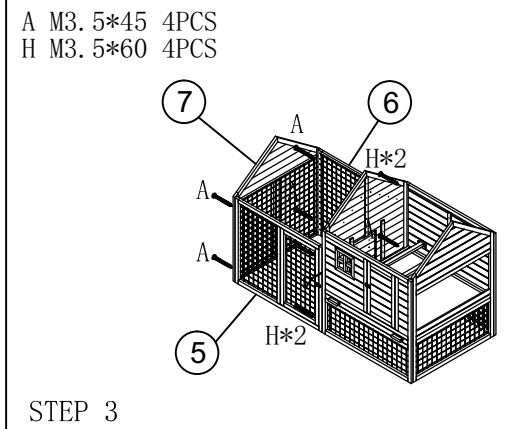
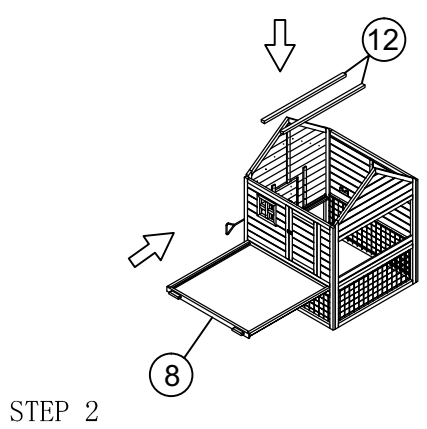
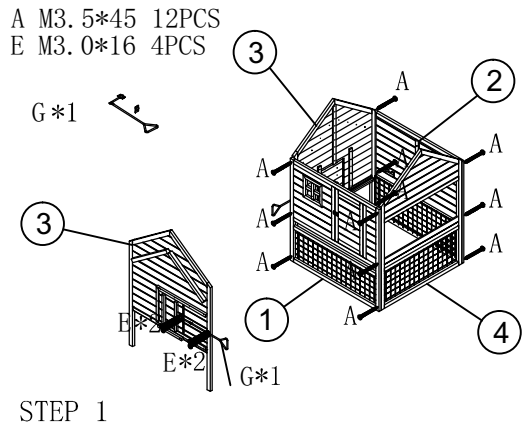
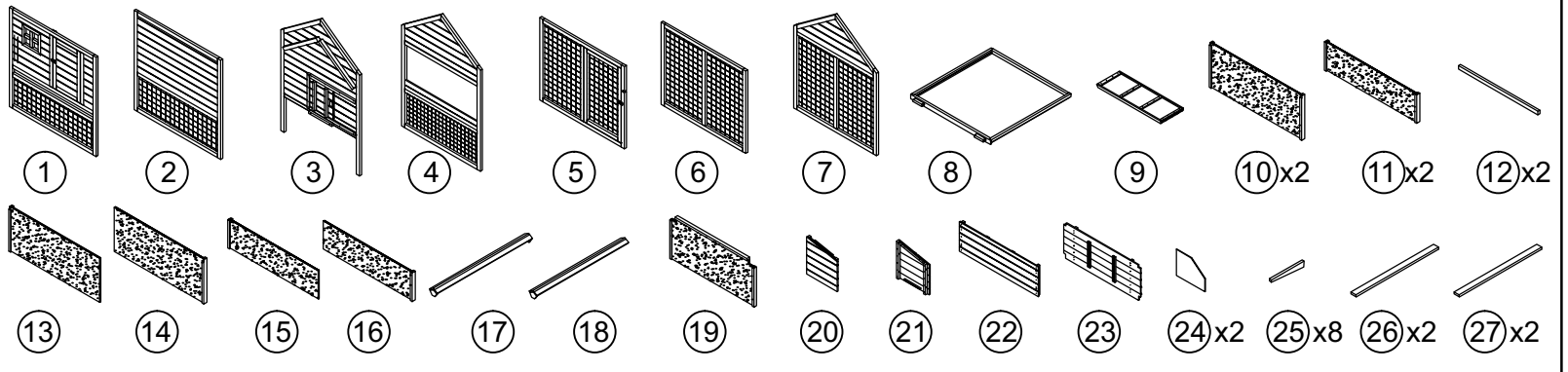


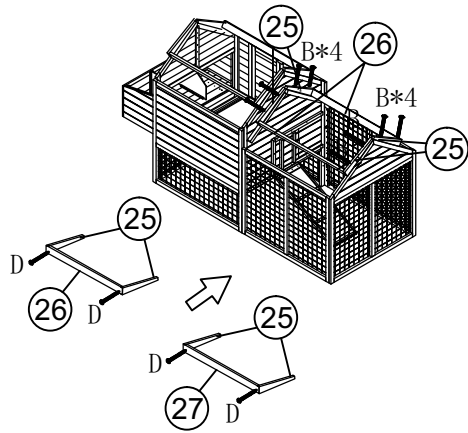
ASSEMBLY INSTRUCTION

-  A M3.5*45 16PCS+1
-  B M3.5*35 16PCS+1
-  C M3.5*30 32PCS+1
-  D M3.5*25 16PCS+1
-  E M3.0*16 12PCS+1
-  F M6*65 8PCS+1
-  H M3.5*60 4PCS+1
-  G *1 



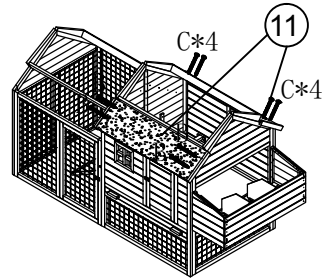
ASSEMBLY INSTRUCTION

B M3. 5*35 8PCS
D M3. 5*25 4PCS



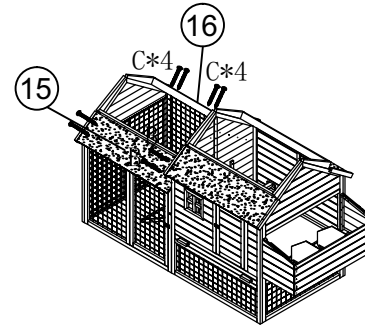
STEP 7

C M3. 5*30 8PCS



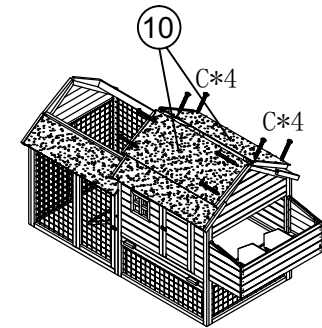
STEP 8

C M3. 5*30 8PCS



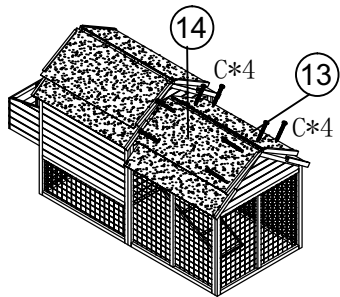
STEP 9

C M3. 5*30 8PCS



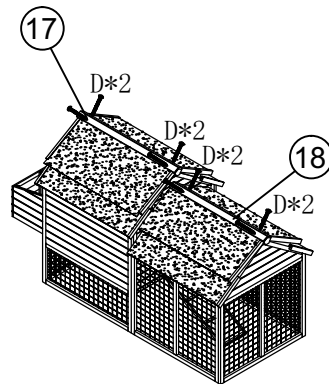
STEP 10

C M3. 5*30 8PCS



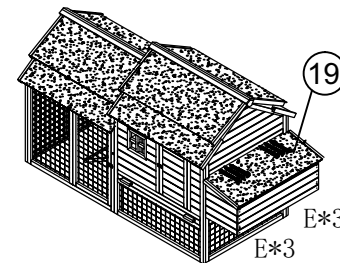
STEP 11

D M3. 5*25 8PCS

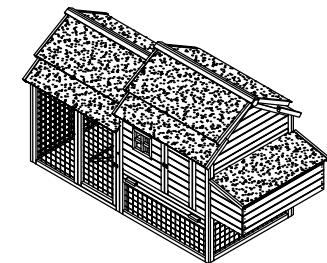


STEP 12

E M3. 0*16 6PCS



STEP 13



STEP 14