

EVOLVER
THE EVOLUTION OF FENCING

TABLE OF CONTENTS

English

Introduction.....	3
Fence Layout.....	5
Post Installation.....	7
Not Embedded.....	7
Embedded.....	9
Rail & Fence Board Installation.....	11
45° Degree Converter Installation.....	14
Care & Maintenance.....	16
Warranty.....	17

About California Proposition 65:

<https://fortressbp.com/about/californiaproposition65>

INTRODUCTION

READ INSTRUCTIONS COMPLETELY BEFORE STARTING INSTALLATION

It is the responsibility of the installer to meet all code and safety requirements, and to obtain all required building permits. The fence installer should determine and implement appropriate installation techniques for each installation situation. Fortress Building Products and its distributors shall not be held liable for improper or unsafe installations.

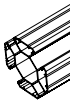
Before You Begin

Contact your local Building Code Department for required permits and laws regarding your fence project.

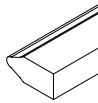
If applicable, also contact your Home Owners Association for rules and regulations regarding fence installations in your neighborhood.

Call 811 before you dig post holes to locate and identify any buried utilities.

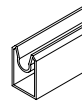
Components



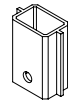
Post



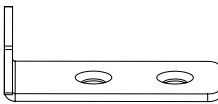
Bottom Rail



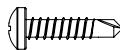
Top Rail



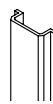
Side Rail Support



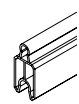
Locking Clip



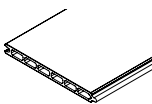
Fastener



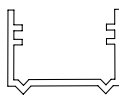
Post Slide Cover



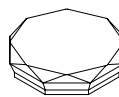
Intermediate Rail



Fence Board
70-1/2"
[1791mm]



45° Converter
70-7/8"
[1800mm]



Post Cap



Post Base

Required Tools



Goggles



Safety
Gloves



Tape
Measurer



Speed
Square



Level
Tool



Spray Paint



Drill



Bit
Extender



Socket
Set



#2 Phillips
Head Bit



Drill Bits:
1/16" [2mm]



Pencil



Ground Stakes



String



Pliers



Rubber Mallet



Hand saw



Wheelbarrow



Miter or
Circular Saw



Post Hole
Digger

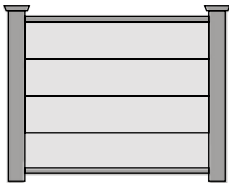


Spade
Shovel



Concrete/
Gravel

Standard Panel Style



Privacy

Customizable Panel Styles



Semi-Privacy



Reinforced



Decorative

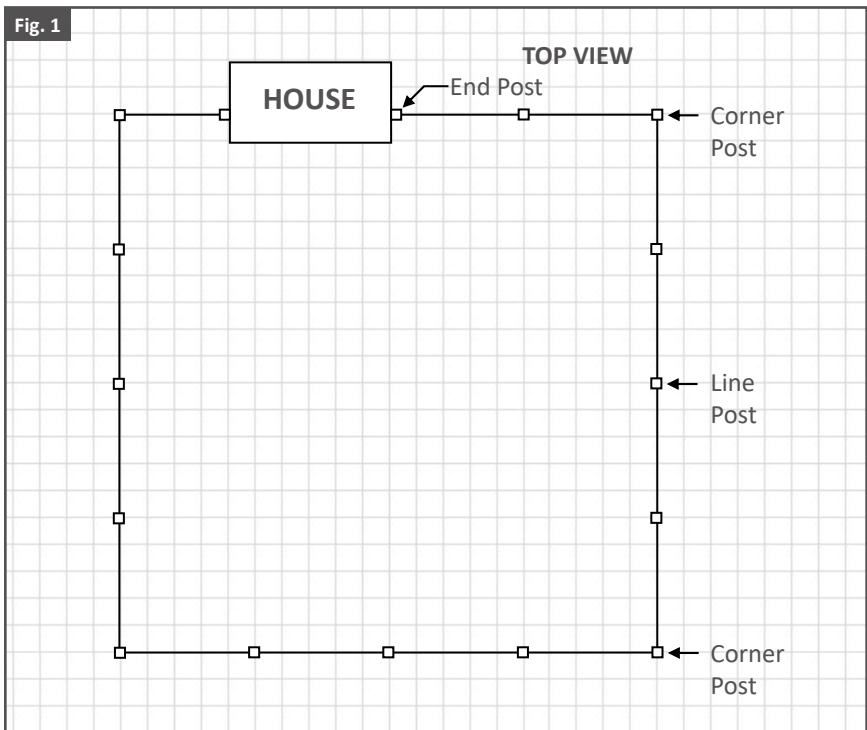


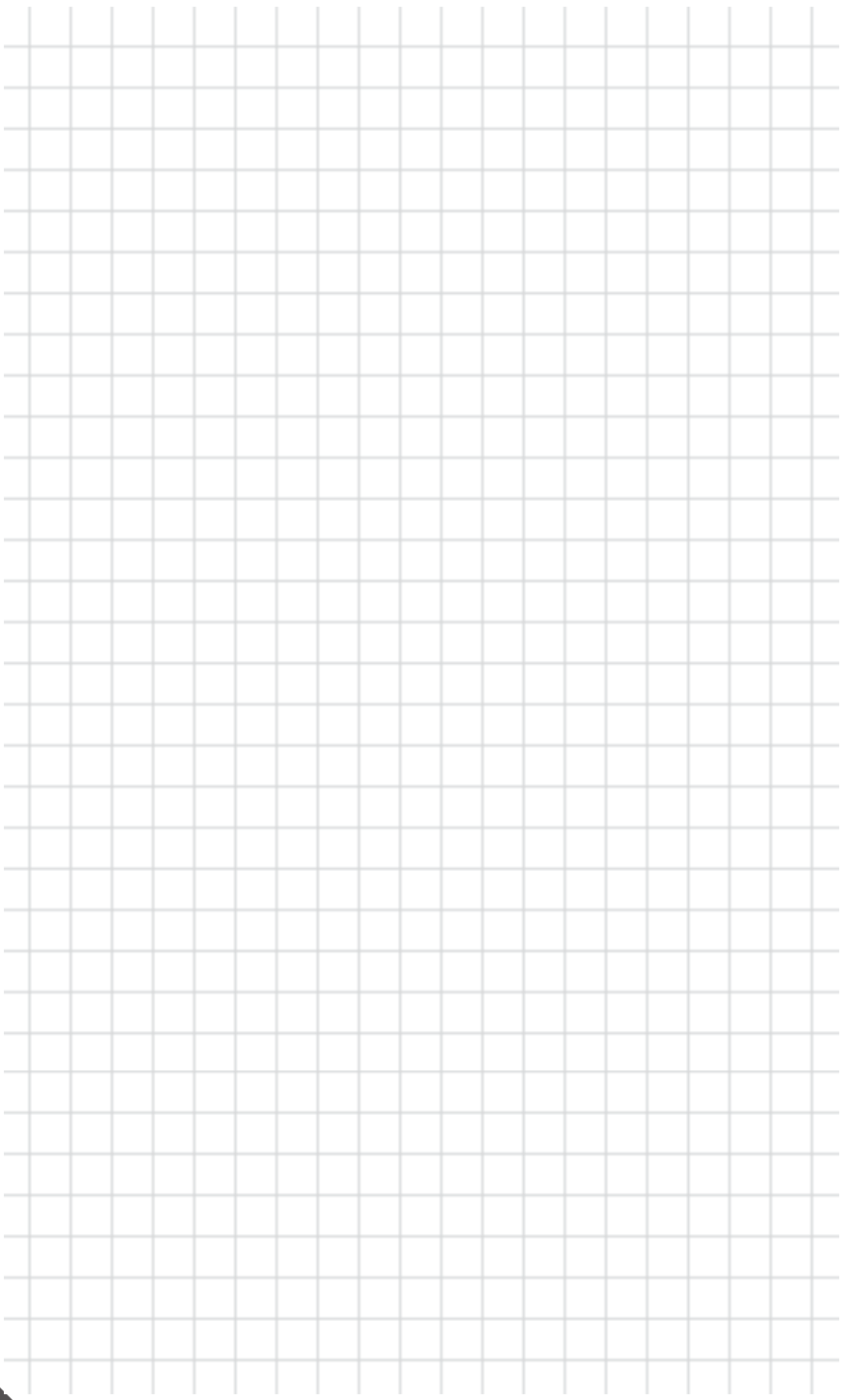
Portal

FENCE LAYOUT

Step 1: Sketch Layout of Fence Perimeter

1. Identify the property line and determine the perimeter of your fence project.
2. Using a tape measure, determine the length of each fence run.
3. Evolver Fence is easiest to install when starting from a corner. If no gates are used, only one board in each line should need to be cut.
4. Use the graph on page 6 to sketch out your fence project.





POST INSTALLATION: NOT EMBEDDED (EXISTING FOUNDATION)

Required Components:

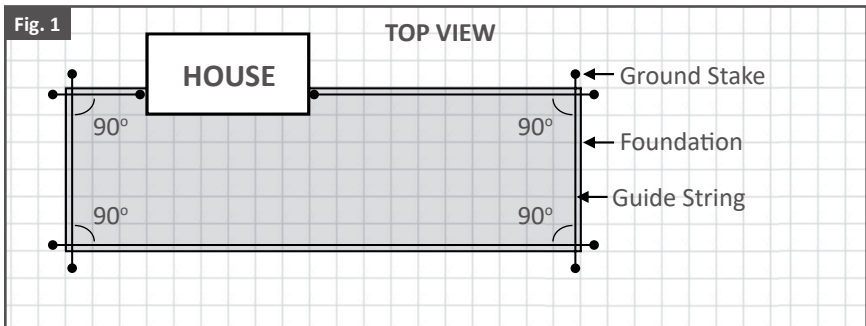
- Post Base (Not Embedded)
- Post
- Fastener

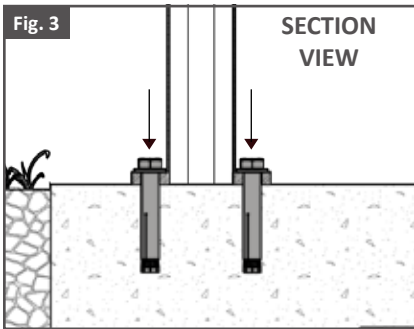
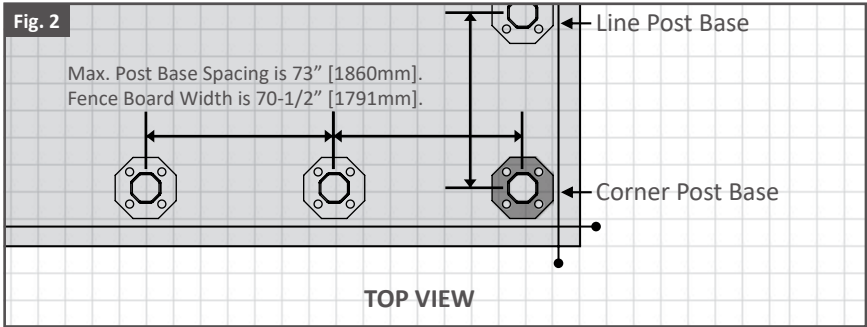
Note:

- Components can **ONLY** be purchased separately, not as part of a full kit.

Step 1: Mount Post Base (Not Embedded/Existing Foundation)

1. If installing on a concrete patio, confirm that the patio is level.
2. Create a perimeter for the fence using Ground Stakes & Guide String. If layout has 90° corners, confirm that corners form 90° angles. As shown in Fig. 1.
3. Position Post Bases in corners along Guide String.
4. Determine spacing required between Corner & Line Post Bases. Spacing between each Post Base **CANNOT** exceed 73" [1860mm] (Fence Board width is 70-1/2" [1791mm]). Layout post spacing so that minimal panel cuts are required. As shown in Fig. 2.
5. Once spacing is confirmed, Use pencil to mark position of each post base.
6. Use 3/8" [9mm] Concrete Anchors to anchor Post Bases to foundation. As shown in Fig. 3.
7. Use a level to confirm that each Post Base is mounted straight at a 90° degree angle.



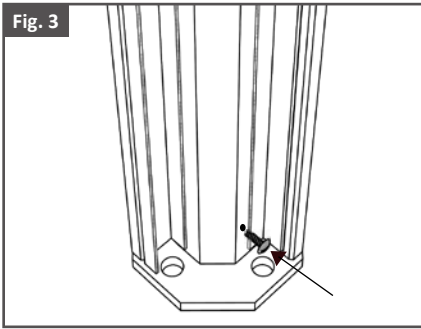
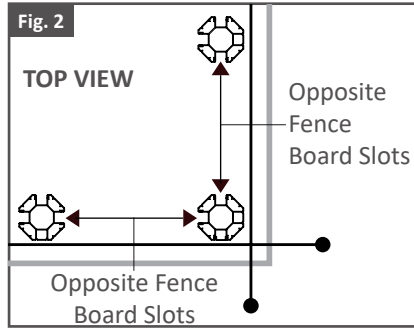
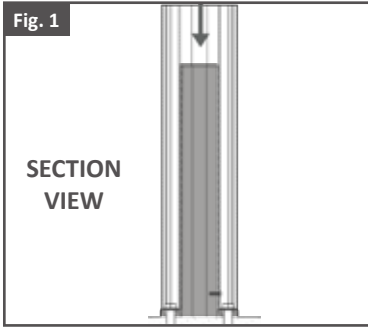


Step 2: Mount Post (Not Embedded/Existing Foundation)

1. Slide the Post over the mounted Post Bases.
As shown in Fig. 1.
2. Be sure to have each fence board slot facing the slot of the opposite post. As shown in Fig. 2.
3. Use a level to confirm that the post is mounted at 90° degree angle.
4. Pre-drill screw holes into Post Base & Post with a 1/16" [2mm] drill bit.
5. Use a drill to fasten screws into the post to the mounted post base. As shown in Fig. 3.

Note:

- Closed wall sides are aesthetically best position for forward facing posts.
- Post Slide Covers can be used to cover unused fence slots.



POST INSTALLATION: EMBEDDED (NO FOUNDATION)

Step 1: Mount Post Base (Embedded/No Foundation)

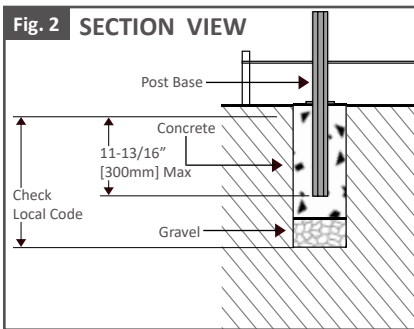
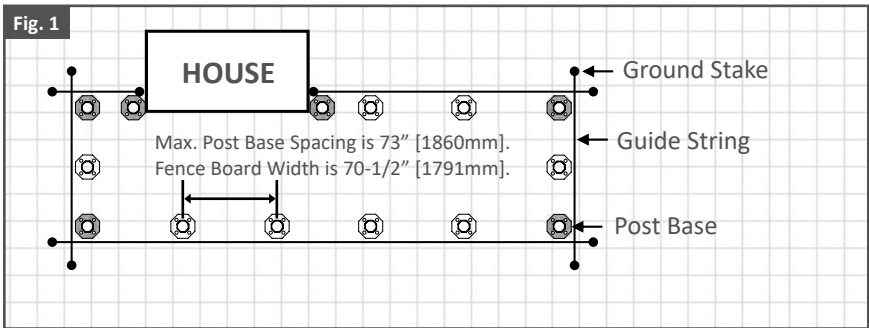
1. Create a perimeter for the fence using Ground Stakes & Guide String. If layout has 90° corners, confirm that corners form 90° angles. As shown on page 7, Fig. 1.
2. Position Post Bases in corners along string.
3. Determine spacing required between Corner & Line Post Bases. Spacing between each Post Base **CANNOT** exceed 73" [1860mm] (Fence Board width is 70-1/2" [1791mm]). Layout post spacing so that minimal panel cuts are required. As shown in Fig. 1.
4. Once spacing is confirmed, Use spray paint to mark post hole locations.
5. Holes should be 10" [250mm] in diameter. Check local building codes for post hole depth.
6. Place Embedded Post Base into holes along Guide Strings. Posts should have at least 12" [300mm] exposed

above ground. Be sure to check that posts are aligned along guide strings & positioned correctly.

7. Pour concrete into holes and let it settle.
As shown in Fig. 2.
8. As concrete settles, Use a level to confirm that each post base is mounted straight at a 90° degree angle.

Note:

- Some boundary lines may have service lines, electric and sewerage lines, that may run across them. You should check to confirm that you are not digging into them.



Step 2: Mount Post (Embedded/No Foundation)

1. Reference Post Mounting instructions on page 8, step 2.

RAIL & FENCE BOARD INSTALLATION

Required Components:

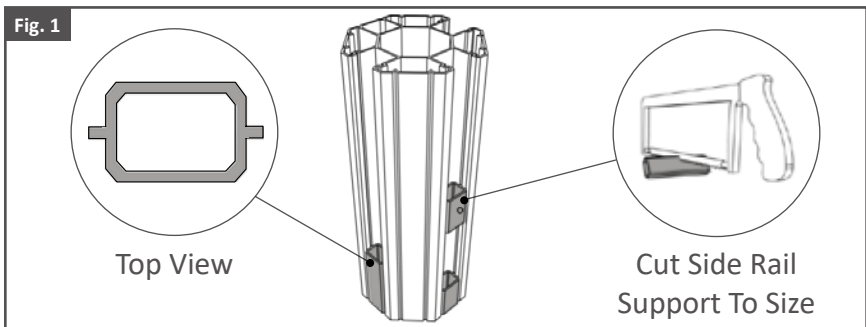
- Top Rails
- Bottom Rails
- Intermediate Rails
- Side Rail Supports
- Fasteners
- Locking Clips
- Fence Boards
- Post Caps
- Post Cover Sliders

Step 1: Install Side Rail Supports

1. Slide Side Rail Supports into the Post Slots.
As shown in Fig. 1.

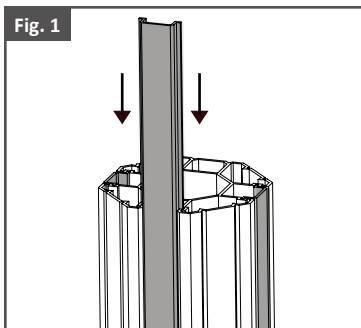
Note:

- Side Rail Supports are supplied in several lengths, that can be cut to size to accommodate the changing levels in your terrain, and can even be stacked on top of each other.
- No other fastening is needed.



Step 2: Install Post Cover Sliders

1. Place Post Cover Sliders into slots where Fence Boards are not needed. As shown in Fig. 1.



Step 3: Panel Style Options

- **Privacy Fence** - Do not use Intermediate rail or Rail Support. As shown in Fig. 1.
- **Reinforced Privacy Fence** - Use Intermediate Rails between each board. As shown in Fig. 2.
- **Semi-Privacy Fence** - Use Side Rail Supports between each board. As shown in Fig. 3.
- **Decorative Fence** - Use Intermediate Rail before final board. As shown in Fig. 4.
- **Portal Fence** - Use Side Rail Support after final board & between two top rails. As shown in Fig. 5.

Note:

- Customized fence styles will require the purchase of additional items.

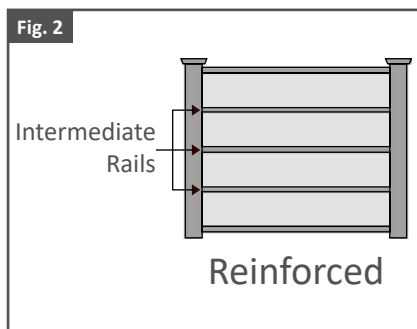
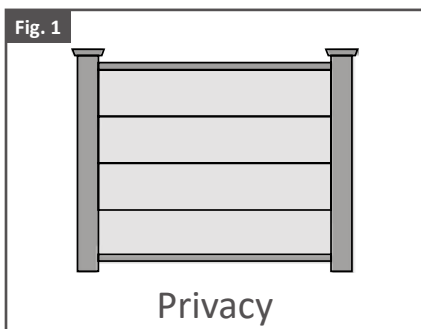


Fig. 3

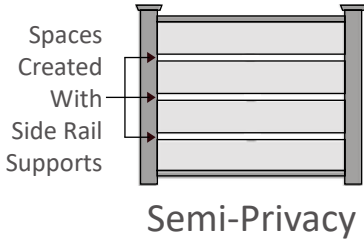


Fig. 4

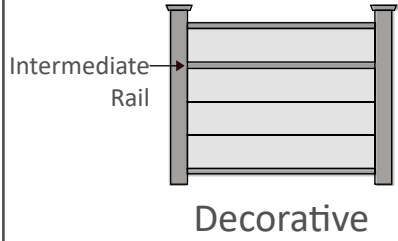
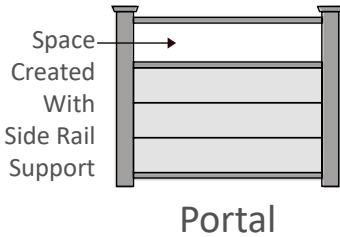


Fig. 5

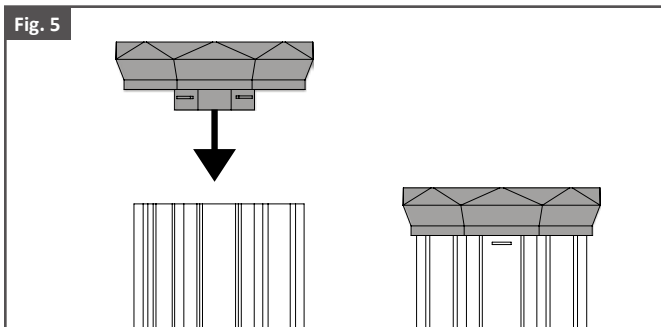
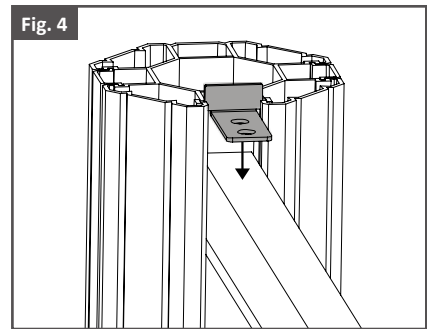
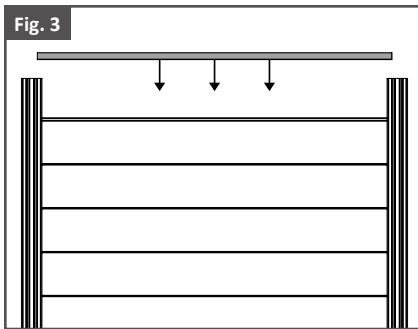
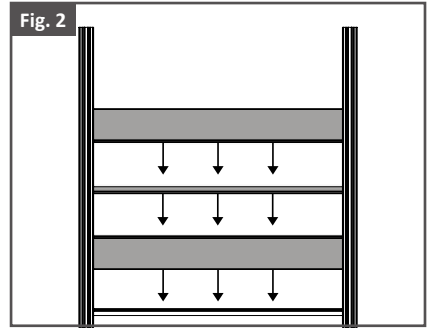
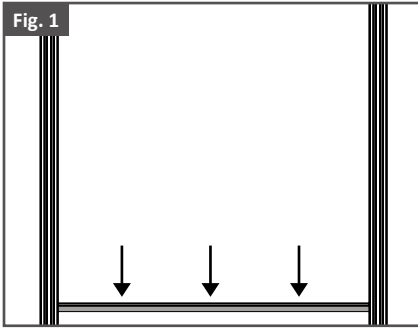


Step 4: Install Rail & Fence Board

1. Slide Bottom Rail into the Post Slots. As shown in Fig. 1.
2. Slide Fence Boards and/or Intermediate Rail one after the other. As shown in Fig. 2.
3. Slide down Top Rail. As shown in Fig. 3.
4. Slide Locking Clip into place with supplied screws and fasten. As shown in Fig. 4.
5. Slide Post Cap into place. As shown in Fig. 5.

Note:

- Rubber Mallet can be used to seat Fence Boards, Top/ Bottom/Intermediate Rails & gently knock Post Caps down into place down, if necessary.



45° CONVERTER INSTALLATION

Required Components:

- 45° Degree Converter
- Fastener

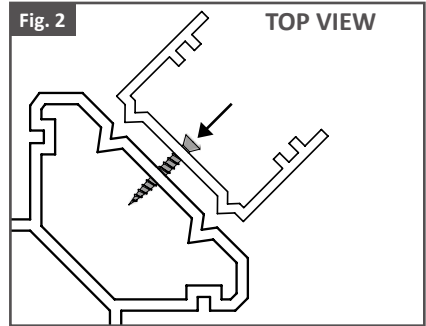
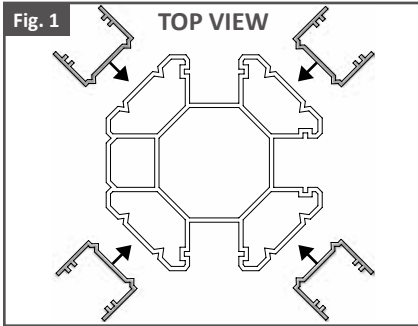
Step 1: Install 45° Converter

1. Position the 45° Degree Converter on desired face of post. As shown in Fig. 1.

2. Fasten the 45° Degree Converter into place using provided screws. As shown in Fig. 2.

Step 2: Rail & Fence Board Installation

1. Reference Post & Fence Board installation steps on pages 11 - 14.



CARE & MAINTENANCE

***DO NOT USE STANDARD COMPOSITE FENCE CLEANERS ON EVOLVER™.**

CLEANING YOUR FENCE BOARDS

What you will need



Soap



Water



Bucket



Sponge



Hard-Bristled
Broom



Pressure Washer

STEP 1: Apply soapy water to your fence with a sponge.

STEP 2: using a cleaning brush, scrub boards to remove dirt & residue. Scrub fence boards in the direction of the grain.

STEP 3: Rinse fence boards with clean water.

STEP 4: If fence boards are still dirty, a pressure washer can be used.

Note:

- If using a pressure washer, keep nozzle at least 12" [300m] away from Fence Board surface.

General Care

- Wash Evolver™ profile periodically using standard household cleaners.
- Clean up spills as soon as is possible to prevent them from becoming stains.

WARRANTY

Fortress Building Products (“Fortress”) warrants to the original residential purchaser (“Purchaser”, “you” or “your”) that, for a period of twenty five (25) years from the date of original purchase, under normal residential use and service conditions, Evolver Composite Fencing (“Evolver®”) shall be free from material defects in workmanship and materials, and shall not split, splinter, rot, or suffer structural damage resulting from termites or fungal decay.

For purposes of this warranty, a “residential purchaser” refers to an individual residential homeowner.

This warranty does not cover costs incurred with removal of defective Evolver® products or the installation of replacement materials, including but not limited to labor and freight.

Fortress does not warrant against and is not responsible for any condition attributable to: (1) improper installation of Evolver® and/or failure to abide by Fortress installation guidelines, including but not limited to improper gapping; (2) use of Evolver® beyond normal and proper use, or in an application not recommended by Fortress guidelines and local building codes; (3) movement, distortion, collapse or settling of the ground or the supporting structure on which Evolver® is installed; (4) any act of God (such as flooding, hurricane, earthquake, lightning, etc.), environmental condition (such as air pollution, mold, mildew, etc.), staining from foreign substances (such as dirt, grease, oil, etc.), or normal weathering (exposure to sunlight, weather and atmosphere which will cause any colored surface to gradually fade, chalk, or accumulate dirt or stains); (5) improper handling, storage, abuse or neglect by Purchaser, the transferee or third parties; or (6) ordinary wear and tear.

The original residential purchaser must contact Fortress Building Products customer service directly via phone at (866) 323-4766 or

via e-mail at warranties@fortressbp.com to obtain necessary warranty claim forms and official claim process. ORIGINAL PROOF OF PURCHASE MUST ACCOMPANY ALL WARRANTY CLAIMS. The original residential purchaser will be notified by Fortress as to whether the warranty claim is approved or denied.

Conditions And Exclusions Of This Warranty

THIS WARRANTY MUST BE REGISTERED WITHIN 30 DAYS OF INSTALLATION WITH FORTRESS BUILDING PRODUCTS.

THIS WARRANTY IS NOT TRANSFERABLE. THE AMOUNT OF YOUR RESTITUTION WILL NOT INCLUDE LABOR TO REMOVE EXISTING COMPONENTS OR INSTALL THE REPLACEMENT COMPONENTS, SHIPPING CHARGES, SALES TAX OR ANY OTHER CHARGES, NOR IS FORTRESS FENCE PRODUCTS REQUIRED TO PROVIDE SUCH LABOR OR SERVICE.

THIS LIMITED WARRANTY IS IN LIEU OF ALL OTHER EXPRESS WARRANTIES. FORTRESS FENCE PRODUCTS MAKES NO OTHER EXPRESS WARRANTIES AND DOES NOT AUTHORIZE ANY OTHER PERSON OR AGENT TO MAKE ANY OTHER EXPRESS WARRANTIES. FORTRESS BUILDING PRODUCTS NEITHER ASSUMES NOR AUTHORIZES ANY OTHER LIABILITY OR OBLIGATION IN WARRANTY, INCLUDING WITHOUT LIMITATION, THE IMPLIED WARRANTIES OF MERCHANTABILITY AND FITNESS FOR A PARTICULAR PURPOSE WITH RESPECT TO THIS PRODUCT, IS LIMITED IN DURATION TO THE TWENTY (20) YEAR TERM OF THIS LIMITED WARRANTY. IN NO EVENT SHALL FORTRESS FENCE PRODUCTS BE LIABLE FOR ANY CONSEQUENTIAL, SPECIAL, OR INCIDENTAL DAMAGES ARISING OUT OF OR CONNECTED WITH THE PURCHASE OR USE OF THIS PRODUCT OR FOR ANY BREACH OF WARRANTY.

MAY HAVE OTHER RIGHTS THAT VARY FROM STATE TO STATE. THIS WARRANTY IS APPLICABLE ONLY TO SYSTEMS INSTALLED WITHIN THE CONTINENTAL UNITED STATES AND CANADA.

This Agreement shall be governed by and construed in accordance with the laws of the State of Texas, without regard to its conflict of laws. Any legal action arising out of this Agreement shall be litigated and enforced under the laws of the State of Texas. In addition, you agree to submit to the jurisdiction of the courts of the State of Texas, and that any legal action pursued by you shall be within the exclusive jurisdiction of the courts in the State of Texas, U.S.A.

SOME STATES DO NOT ALLOW LIMITATIONS ON HOW LONG AN IMPLIED WARRANTY LASTS, OR THE EXCLUSION OR LIMITATION OF INCIDENTAL OR CONSEQUENTIAL DAMAGES, SO THE ABOVE LIMITATIONS OR EXCLUSION MAY NOT APPLY TO YOU. THIS WARRANTY GIVES YOU SPECIFIC LEGAL RIGHTS, AND YOU MAY HAVE OTHER RIGHTS THAT VARY FROM STATE TO STATE. THIS WARRANTY IS APPLICABLE ONLY TO SYSTEMS INSTALLED WITHIN THE CONTINENTAL UNITED STATES AND CANADA.



JOIN THE REVOLUTION.

FortressBP.com | 866.323.4766

© 2020 Fortress Building Products.

Unless otherwise noted, all proprietary names are trademarks of Fortress Iron, LP. All rights reserved.

08/2020