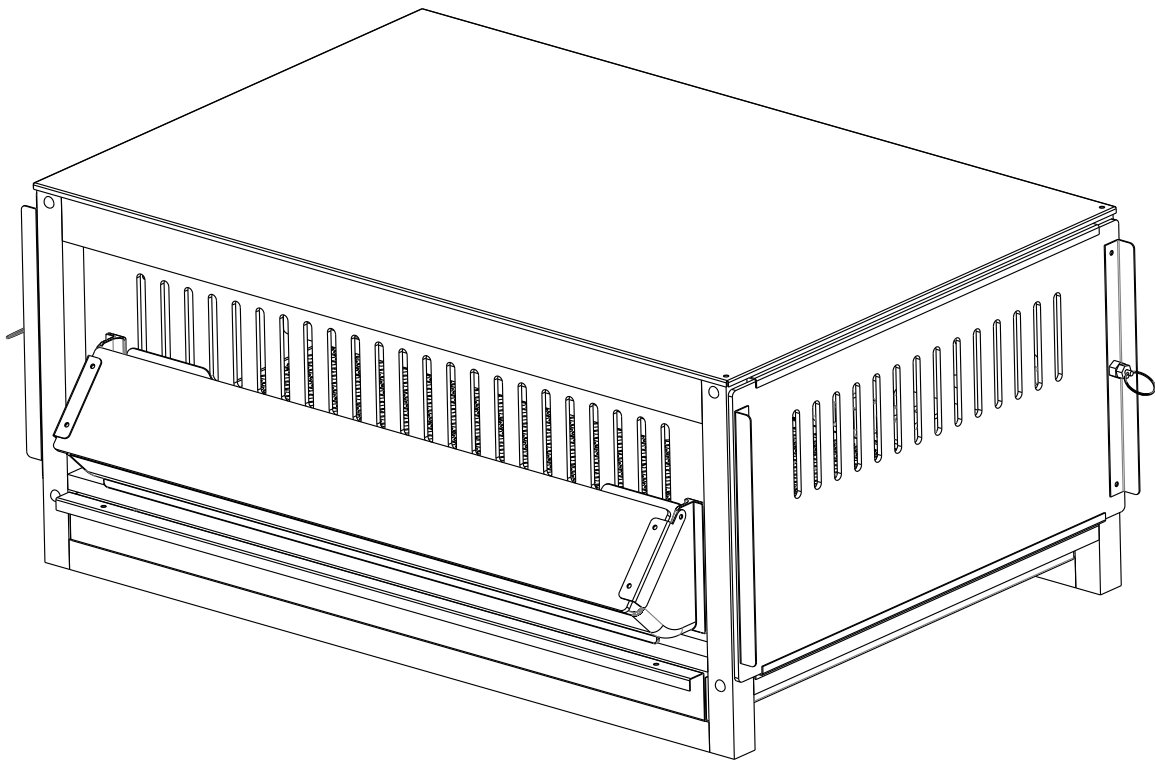


# PP COMPLETE CARE CHICK BROODER ASSEMBLY MANUAL

SKU# 1557530

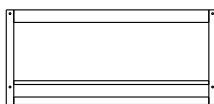

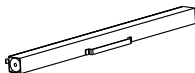

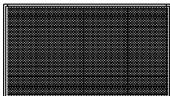
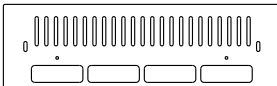
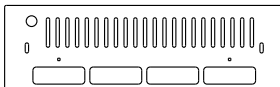
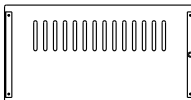


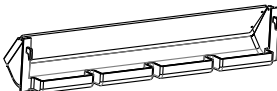



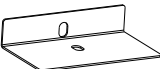


Tools required for assembly (not included)



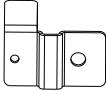
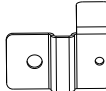
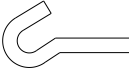
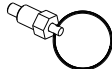
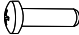
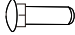
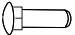






Distributed by: TRACTOR SUPPLY COMPANY  
5401 VIRGINIA WAY, BRENTWOOD, TN 37027  
For customer support, call: 1-888-376-9601  
[www.TractorSupply.com](http://www.TractorSupply.com)  
MADE IN CHINA

# PARTS LIST

| Part# | Description                     | Drawing  | Qty. |
|-------|---------------------------------|--|------|
| 1     | Main Panel Frame                |    | 2    |
| 2     | Bottom Track                    |    | 2    |
| 3     | Top Track                       |    | 2    |
| 4     | Clean Out Tray                  |    | 1    |
| 5     | Wire Mesh Floor                 |    | 1    |
| 6     | Front Door                      |    | 1    |
| 7     | Back Door                       |  | 1    |
| 8     | Side Plexiglass Panel           |  | 2    |
| 9     | Feeder Holder                   |  | 2    |
| 10    | Feeder grate                    |  | 2    |
| 11    | Feeder                          |  | 2    |
| 12    | Heater Support                  |  | 1    |
| 13    | Adjustable Heater Bracket-Part1 |  | 1    |
| 14    | Adjustable Heater Bracket-Part2 |  | 2    |
| 15    | Adjustable Heater Bracket-Part3 |  | 2    |

## PARTS LIST

| Part# | Description                | Drawing  | Qty. |
|-------|----------------------------|--|------|
| 16    | Top Roof                   |    | 1    |
| 17    | Heater                     |    | 1    |
| 18    | Stack Connector(right)     |    | 2    |
| 19    | Stack Connector(left)      |    | 2    |
| 20    | Hook Bolt                  |    | 1    |
| 21    | Door Lock                  |    | 2    |
| 22    | M6x45 bolt                 |  | 8    |
| 23    | M6x16bolt                  |  | 8    |
| 24    | M6x30bolt                  |  | 2    |
| 25    | M6 Butterfly nut           |  | 12+1 |
| 26    | 6 Big Plain Washer         |  | 6    |
| 27    | 6 Washer                   |  | 6    |
| 28    | Self- tapping screw 3.5x13 |  | 4+1  |

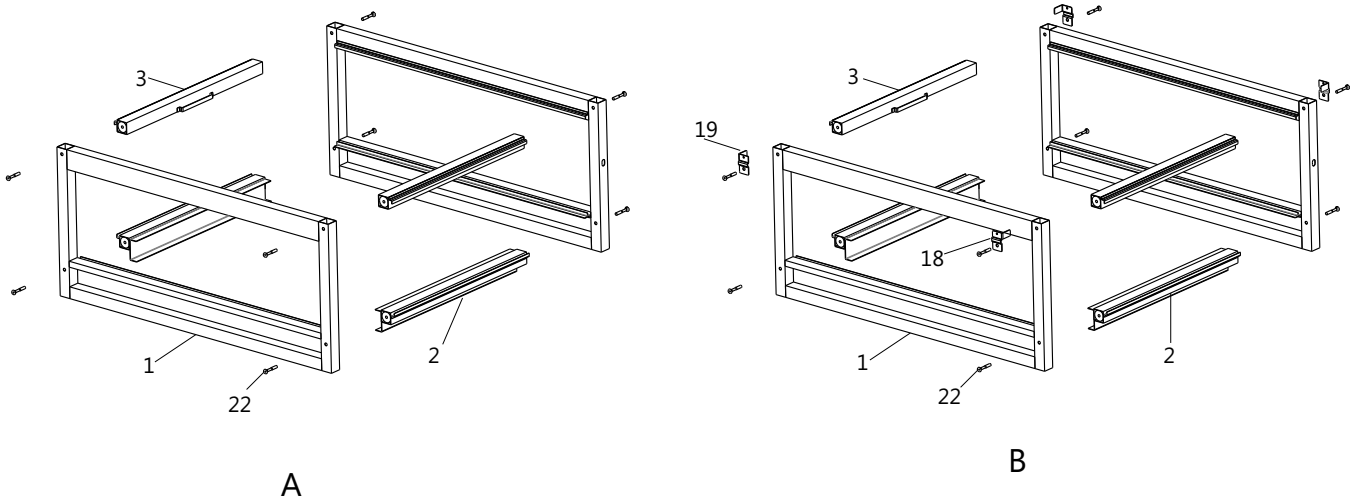
## ASSEMBLY

### Step 1

- Connect parts #1,#2 and #3 as below diagram A, by Bolt #22.

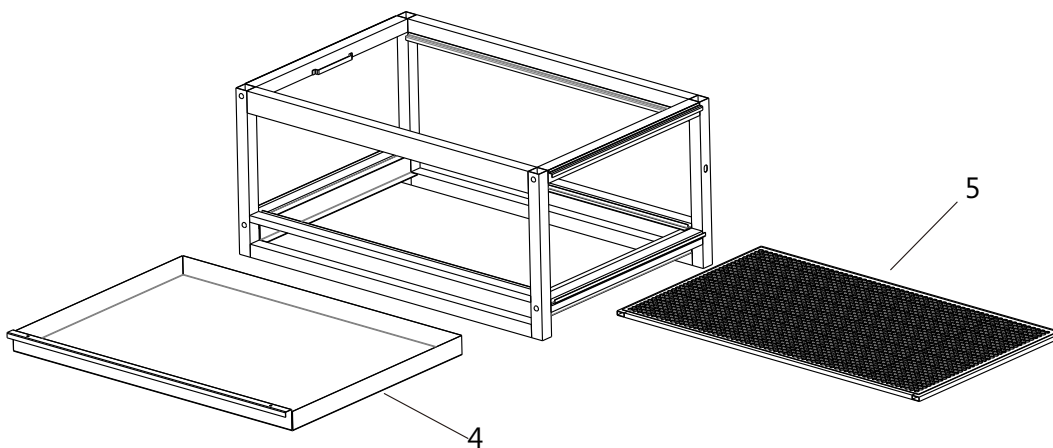
Notes: 1. Please do not tighten the bolts completely now.

2. If you have two or more brooders to stack together, please follow diagram B fix the 4 Stack Connectors (#18 & #19) on top of the frame.



### Step 2

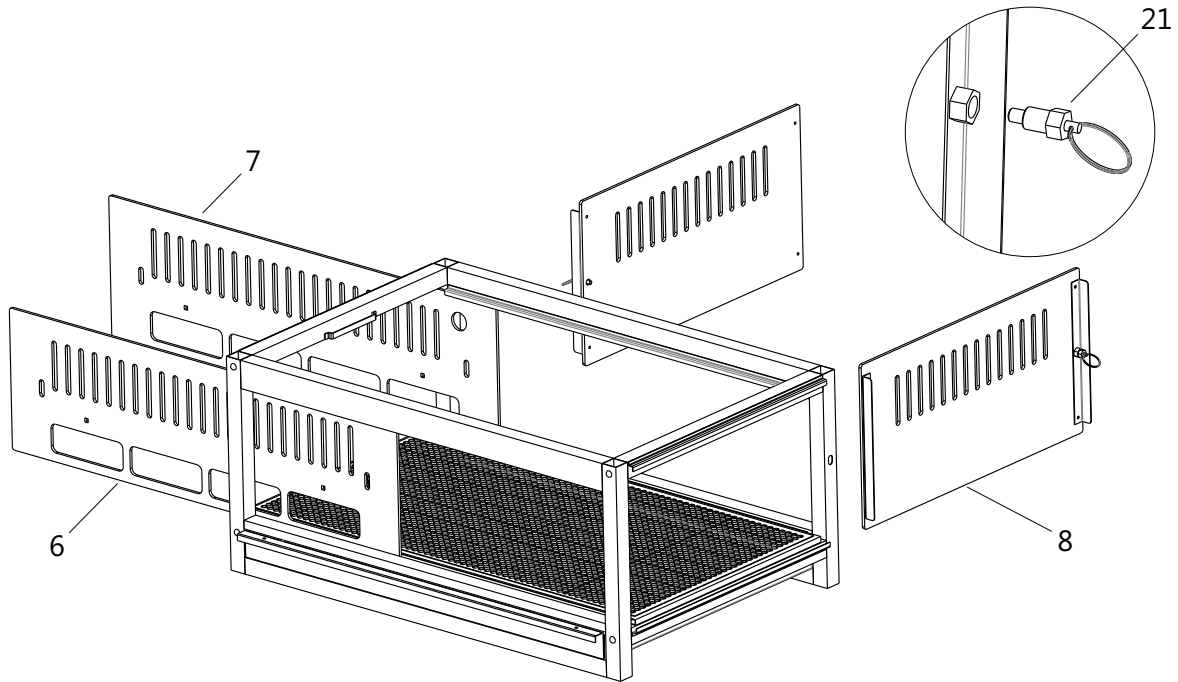
- Insert the Tray (#4) & Mesh Floor (#5) into the frame.



## ASSEMBLY

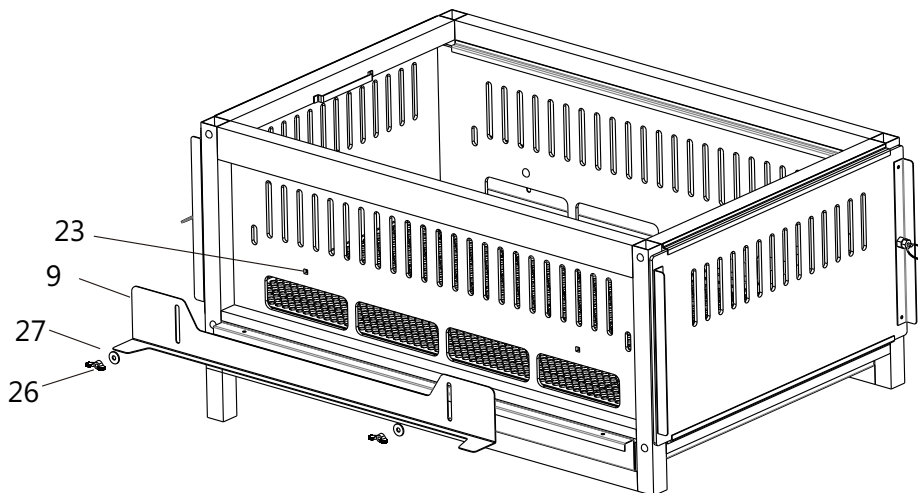
### Step 3

- Fix the one Door Lock (#21) on each Side Plexiglass Panel(#8).Insert the Slide #6,#7, and #8 into the frame track as below diagram.



### Step 4

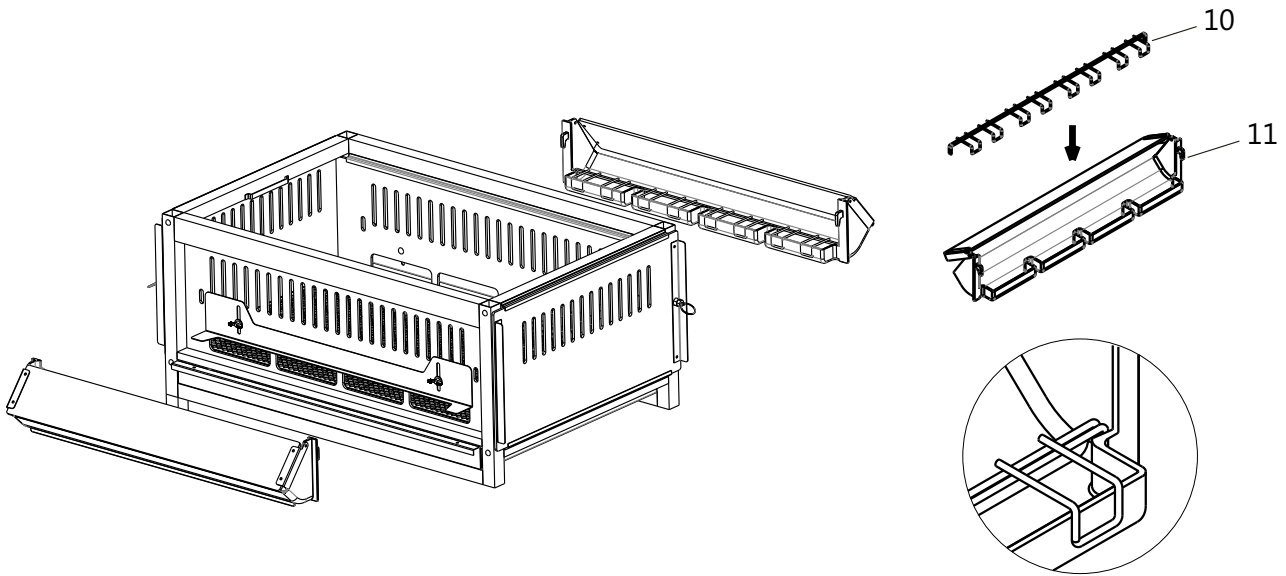
- Assemble the Feeder Holder #9 on #6 & #7 panels,through Bolt #23,Big Washer #27 and Butterfly Nut #26.Do not fully tight them, it should be able to slide easily.



## ASSEMBLY

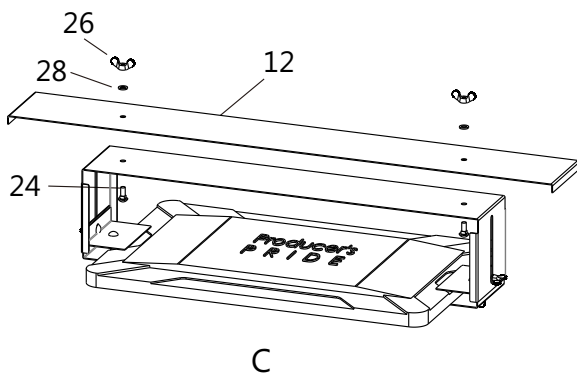
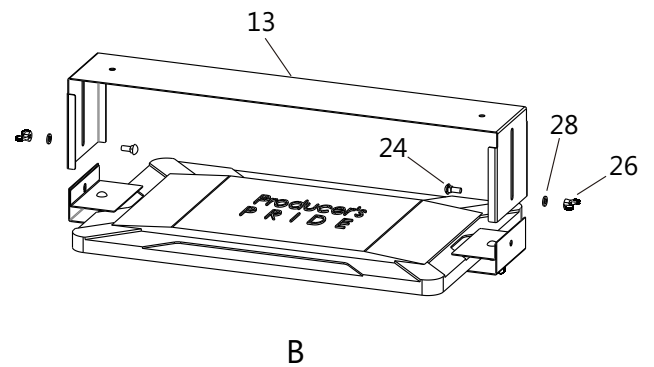
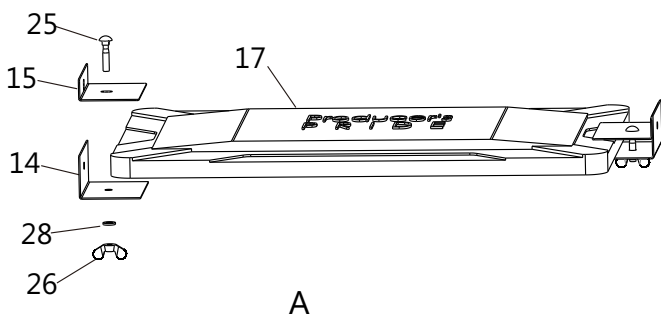
### Step 5

- Put the Feeder Grate (#10) inside the Feeder (#11).
- Then fix the Feeder to the Plexiglass Panel (#6 & #7).



### Step 6

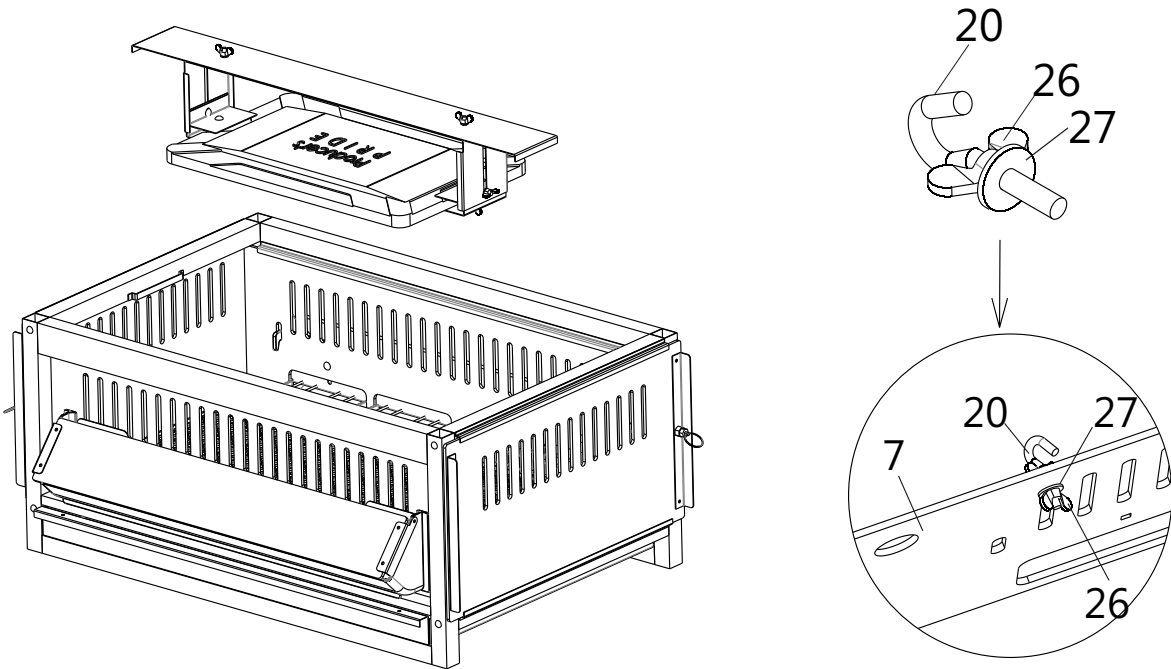
- Follow below 3 diagrams assemble the heater Adjustable Bracket.



## ASSEMBLY

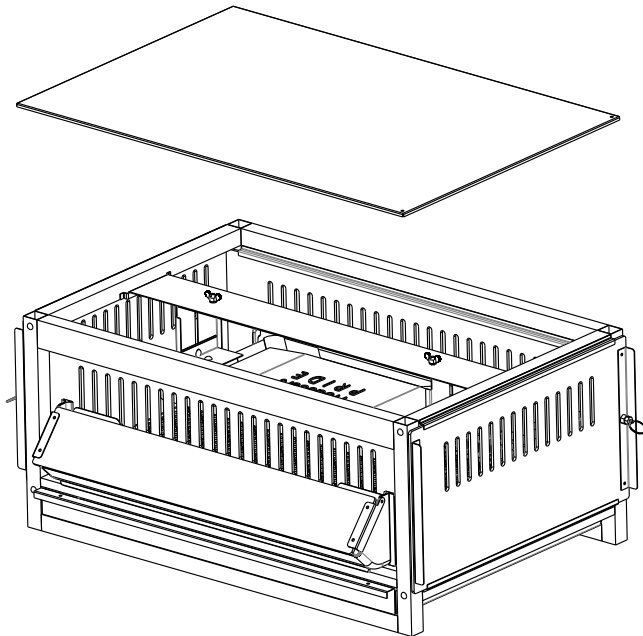
### Step 7

- Hang the Heater group on top of the Frame. Fix the Hook Bolt as below diagram for hanging the heater wire.



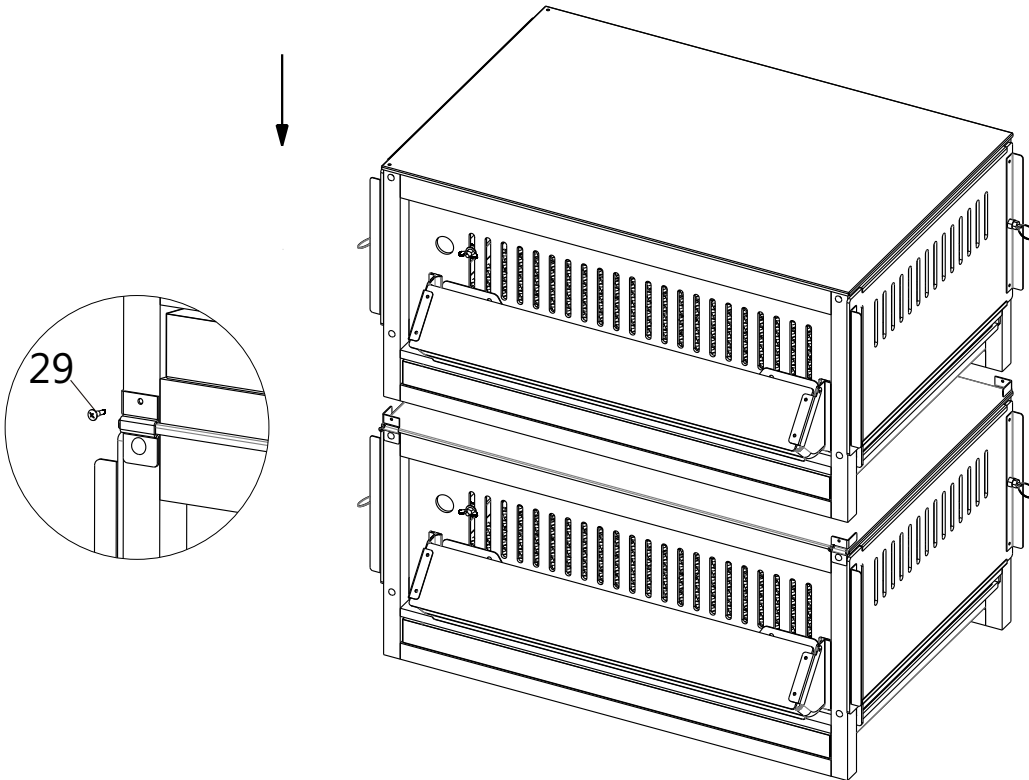
### Step 8

- Put the Top panel on top of the frame, now tight all the #22 bolts.



Step 9

- The brooder is stackable. Follow below diagram, you can connect the two brooders by #29 Self-tapping Screws.





# INSTRUCTION



## CHICKEN COOP HEATER & BROODER

### IMPORTANT: READ BEFORE USE

**CAUTION :** This appliance is designed for use ONLY with 110/120volt power supply. Do not use the heater with 220/240volt electric supply such as is common in UK, Europe & other countries outside the USA.

This appliance has a polarized plug. One blade is wider than the other. To reduce risk of electric shock, this plug is intended to fit in a polarized outlet one way. If the plug does not fit fully in the outlet, reverse the plug. If it still does not fit, contact a qualified electrician. Do not modify the plug in any way.

**WARNING :** Take care to determine prior to use whether this device is suitable, adequate or safe for the use intended. Since individual applications are subject to great variation, the manufacturer makes no representation or warranty as to suitability or fitness of these devices for any specific application. While product includes an over temperature regulator, misuse may cause failure, damaging the product, mounting surface or work area. Use in a dry area; avoid exposure to moisture. Mount free from materials that hinder the transfer of heat. Do not drape or cover product with any material. Always allow heat to escape. Protect from puncture. Turn off when not in use. Use caution as you would with any hot product, especially if you have any issues with loss of feeling in the areas affected by the heat.

### Model No.1299682

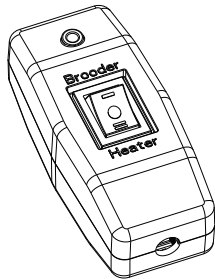
**CAUTION:** Read all instructions and warnings before Operating!  
**SAVE THESE INSTRUCTIONS! READ ALL INSTRUCTIONS!**

### CAUTION:

Do not use directly on floor where the hot surface is facing up.  
Allow heater to cool before touching or moving.

### HEAT CONTROL:

The heater has an in-cord switch allowing you to select Heater(200W) or Brooder (40W). This switch has an LED that illuminates when the unit is ON. The middle position is OFF.



### SAFETY HEAT DISPLAY:

The Heater has a heat-sensitive indicator at the front surface to show when the surface is warm. The heat sensitive indicator turns **RED** when warm and disappears when cool.

### CLEANING:

Unplug unit and wipe with a damp cloth.