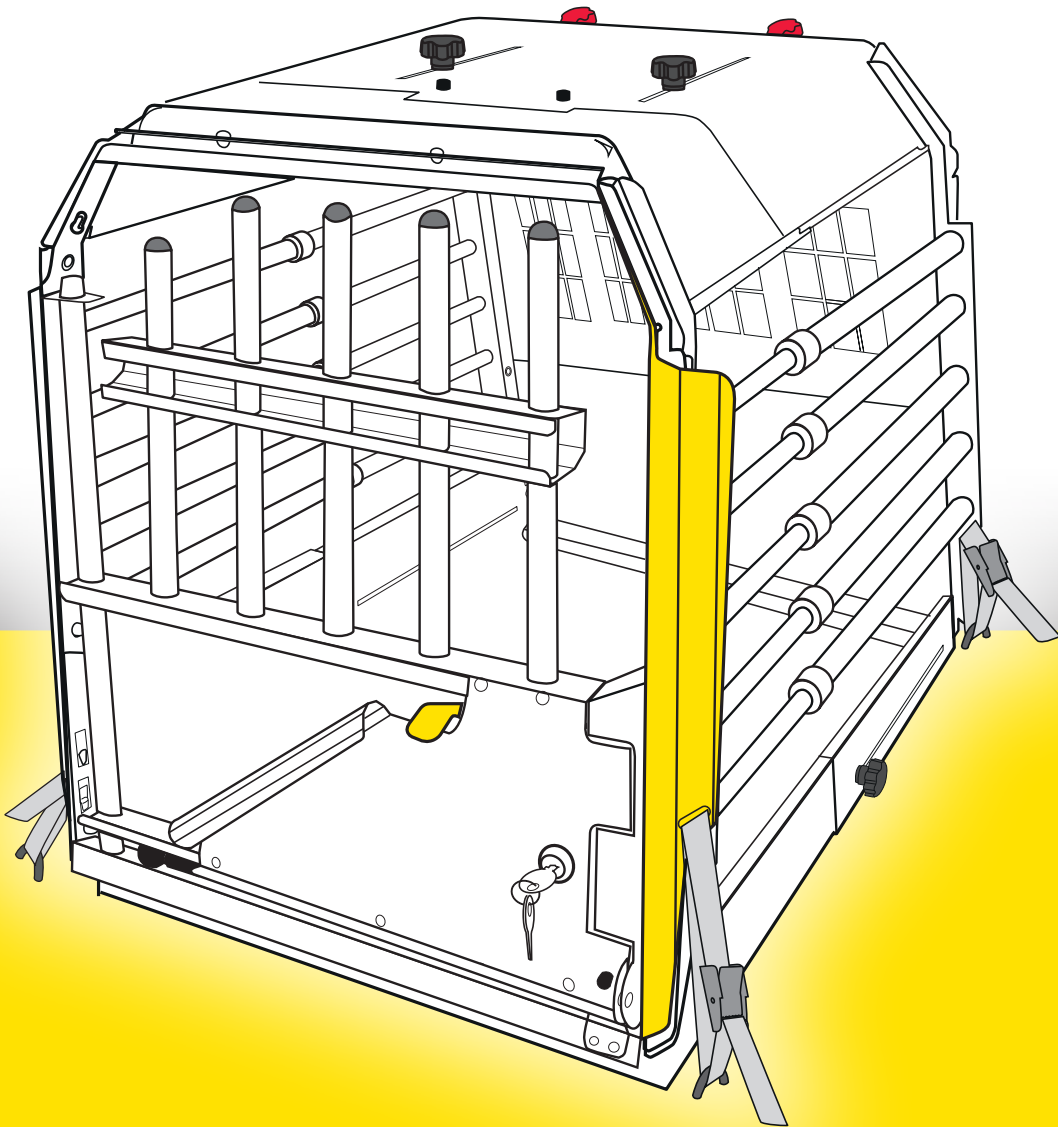


# mimSAFE

[www.mimsafe.com](http://www.mimsafe.com)



ASSEMBLY INSTRUCTIONS

# VARIOCAGE

original single



## GENERAL

VarioCage is made for transport of dogs in vehicle. The VarioCage is made of splinter proof and energy absorbing materials. The telescopic construction maximizes the space for your dog. The Built-in deformation zone reduces the risk of back, neck and head injuries to the rear seat passengers in case of accident. VarioCage has undergone rigorous crash tests. It's design-protected and made of galvanized steel painted with a very weather-

resistant polyurethane paint suitable for its use. Shockproof in all directions, VarioCage is crash-tested for frontal collision situations, rear-end collision and roll over, which is world-unique. The product comes with straps for easy installation. Lockable door with gas spring helps holding the door open when needed.



### IMPORTANT

## BEFORE YOU BEGIN

Ensure that you work on a flat surface. If the VarioCage is assembled indoors, protect the floor with a blanket or carpet to avoid damage during assembly. Read the instruction carefully before you begin, it gives you a better understanding when you work step by step during the assembly. You can assemble the VarioCage by yourself, but it helps a lot to be two during some of the assembly steps.

## RECOMMENDED AREA OF USE

VarioCage should be installed behind the rear seat of the car.

## CRASH TEST

This model is crash tested at Rise Research Institutes of Sweden AB. VarioCage is crash tested according to the SPCT (SafePetCrateTest) method making it the market's safest dog cage for SUV, estate and hatchback cars with the cage installed against the rear set. The crash pulse used is according to ECE Regulation No. 17. Test protocol is available from the manufacturer on request.

## DAILY INSPECTION

- Make sure the VarioCage is intact
- That there's no sharp edges
- That the door lock works
- Check that it is attached to the vehicle's cargo loops

## CLEANING

Use a soft cloth with water and mild soap.

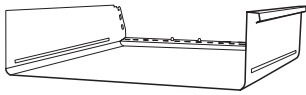
## The story of MIMsafe

For more than 30 years, MIMsafe has worked with functional design and manufacturing of safety products for the modern automotive industry. With documentation from hundreds of crash tests and in close collaboration with the major car manufacturers, safe products have been developed and transformed into knowledge. Under the well-known brand name MIMsafe, we have become the leading manufacturer of crash tested and crush proofed non-whiplash dog cages all over the world.

## MANUFACTURER

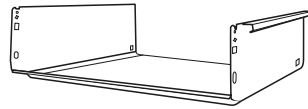
MIM Construction AB  
Myren 125  
SE-462 94 Frändefors  
Sweden

+46 10 55 00 450  
info@mim.se  
www.mimsafe.com



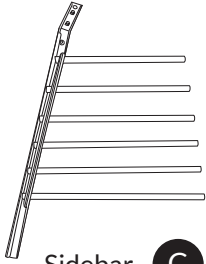
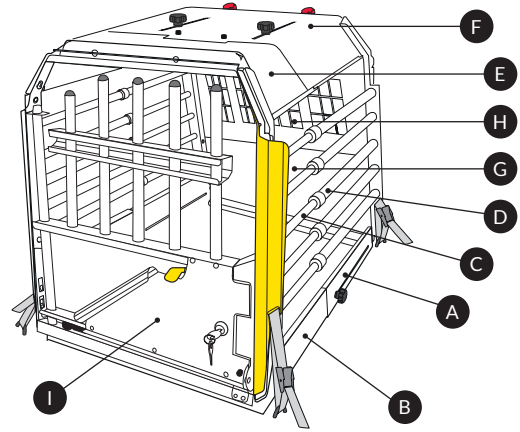
**A** Floor Rear

00366		1X
00390		
00376		
00363		
00379		
00380		
00378		
00381		
Product no	No of items	



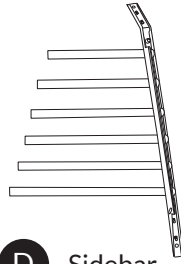
**B** Floor Front

00366		1X
00390		
00376		
00363		
00379		
00380		
00378		
00381		
Product no	No of items	



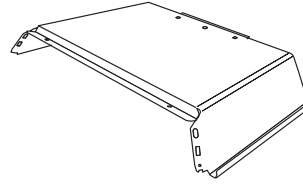
**C** Sidebar

00366	X4	2X
00390	X4	
00376	X4	
00363	X5	
00379	X6	
00380	X6	
00378	X7	
00381	X8	
Product no	Pipes	No of items



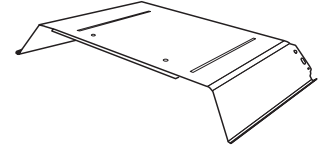
**D** Sidebar

00366	X4	2X
00390	X4	
00376	X4	
00363	X5	
00379	X6	
00380	X6	
00378	X7	
00381	X8	
Product no	Pipes	No of items



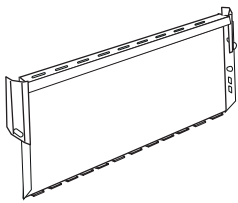
**E** Roof Front

00366		1X
00390		
00376		
00363		
00379		
00380		
00378		
00381		
Product no	No of items	



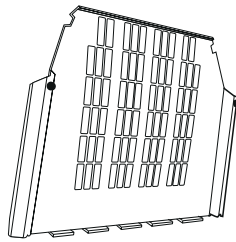
**F** Roof Rear

00366		1X
00390		
00376		
00363		
00379		
00380		
00378		
00381		
Product no	No of items	



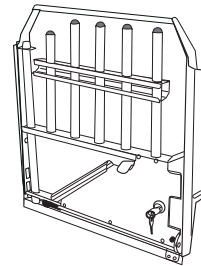
**G** Lower Panel

00366		1X
00390		
00376		
00363		
00379		
00380		
00378		
00381		
Product no	No of items	



**H** Escape Hatch

00366		1X
00390		
00376		
00363		
00379		
00380		
00378		
00381		
Product no	No of items	



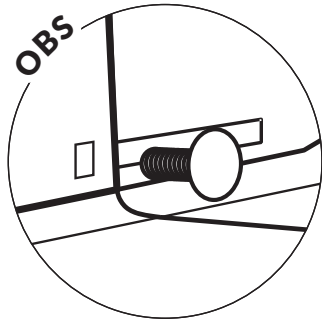
**I** Door Section




00366		1X
00390		
00376		
00363		
00379		
00380		
00378		
00381		
Product no	No of items	

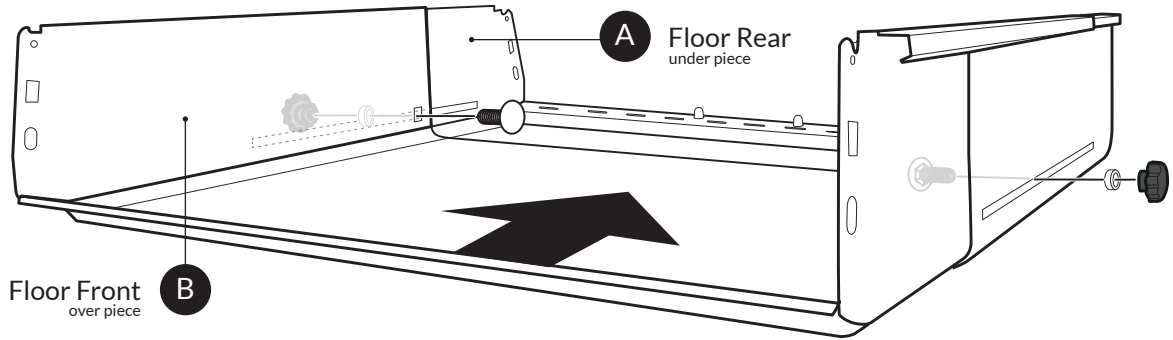
ASSEMBLY KIT IS DIMENSIONED FOR THE LARGEST CAGE, FOR SMALLER CAGES YOU HAVE MORE PARTS THAN YOU NEED

<p>M-460641D 5X</p> <p>rubber</p>	<p>M-SM6X14IA 14X</p>	<p>M-SM6X12 2X</p>	<p>M-460641AQ 2X</p> <p>red</p>	<p>ALLEN KEY 4 1X</p>	<p>M-460641AY</p> <p>00366 8X 00390 8X 00376 8X 00363 10X 00379 12X 00380 12X 00378 14X 00381 16X</p> <p>rubber end caps</p>	<p>M-460641BA</p> <p>00366 8X 00390 8X 00376 8X 00363 10X 00379 12X 00380 12X 00378 14X 00381 16X</p> <p>plastic end caps</p>
<p>M-R3015M5S 4X</p>	<p>M-B13265SLD 4X</p> <p>Ø13mm</p> <p>plastic</p>	<p>M-VBM5X16 4X</p>	<p>M-10240 4X</p>			

STEP  
**1**

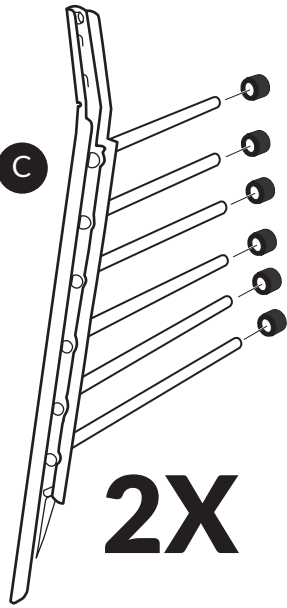


M-R3015M5S 2X 	M-B13265SLD 2X Ø13mm plastic 	M-VBM5X16 2X 
---	---	--




STEP  
**2a**

Sidebar **C**

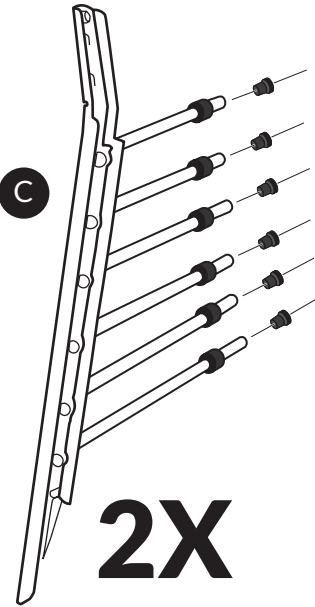


**2X**


M-460641AY	
	
00366	8X
00390	8X
00376	8X
00363	10X
00379	12X
00380	12X
00378	14X
00381	16X
rubber end caps	

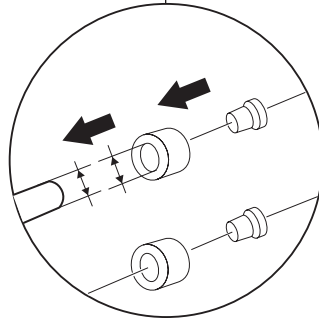
STEP  
**2b**

Sidebar **C**



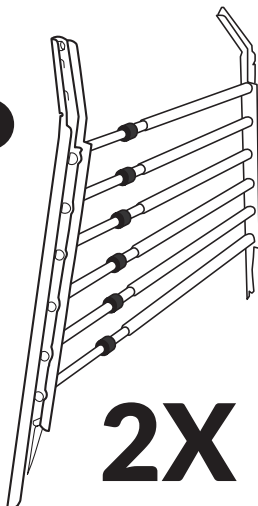
**2X**

M-460641BA	
	
00366	8X
00390	8X
00376	8X
00363	10X
00379	12X
00380	12X
00378	14X
00381	16X
plastic end caps	



STEP  
**3**

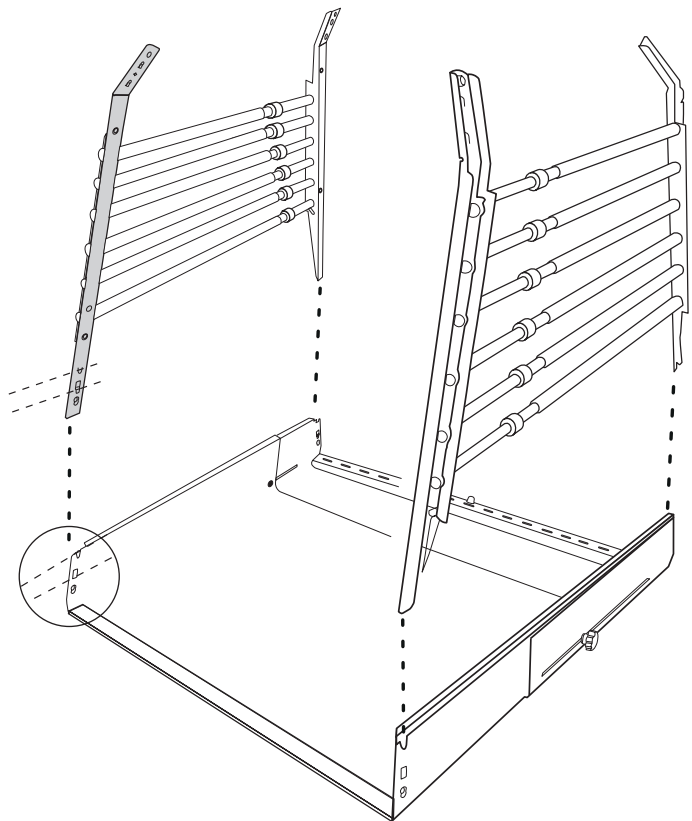
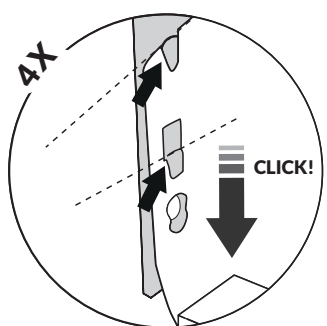
Sidebar **C**



**2X**

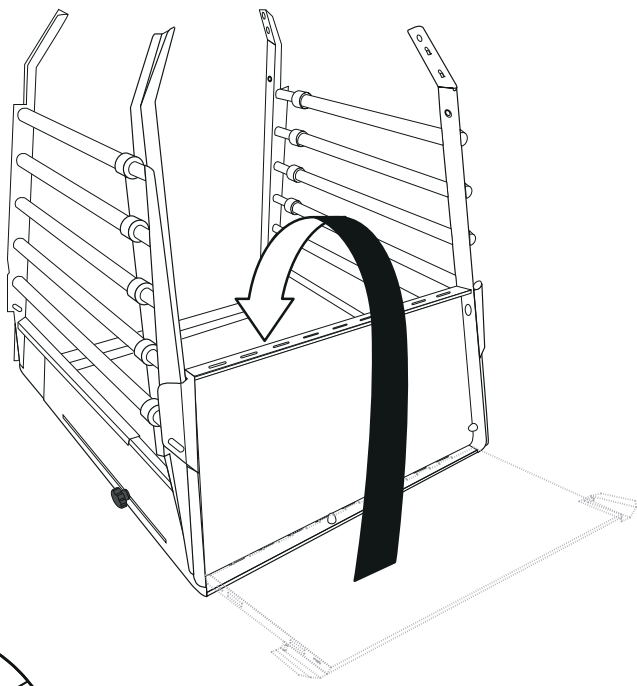
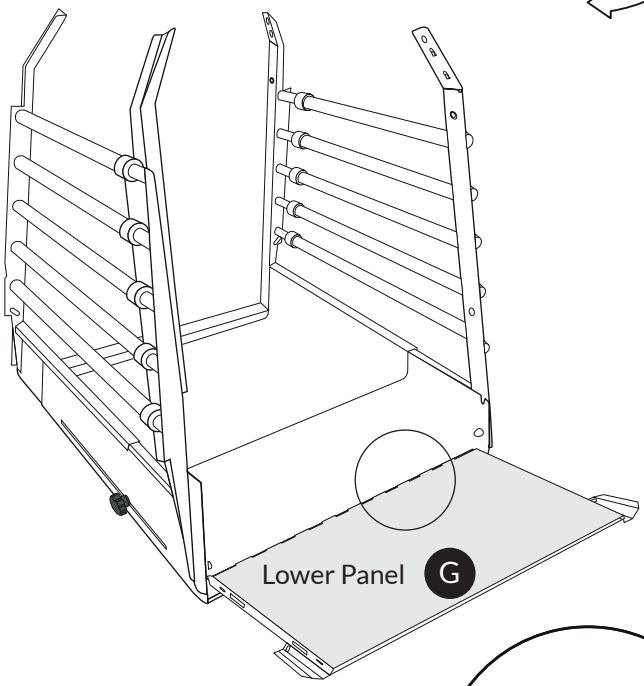
**D** Sidebar

STEP  
**4**

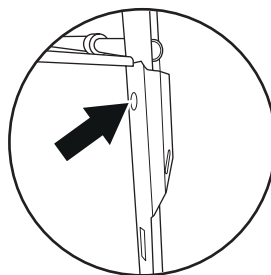


STEP  
**5**

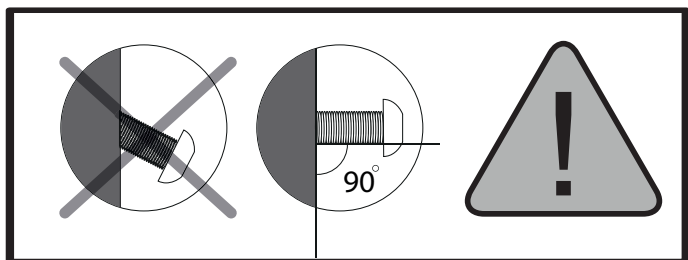
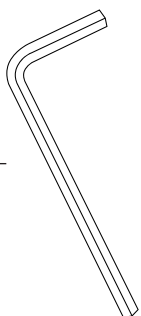
**180°**



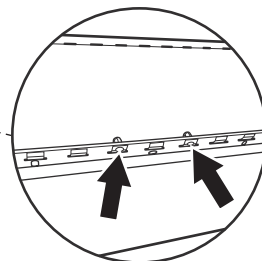
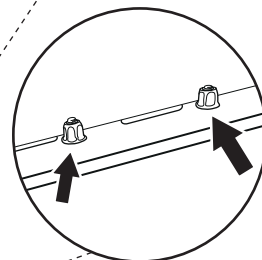
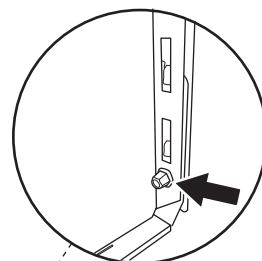
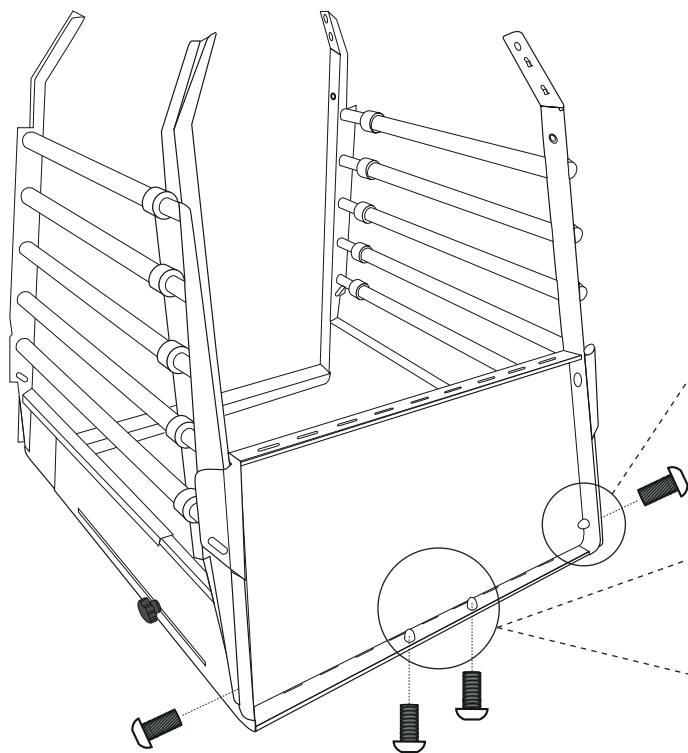
STEP  
**6**



M-SM6X12  
2X

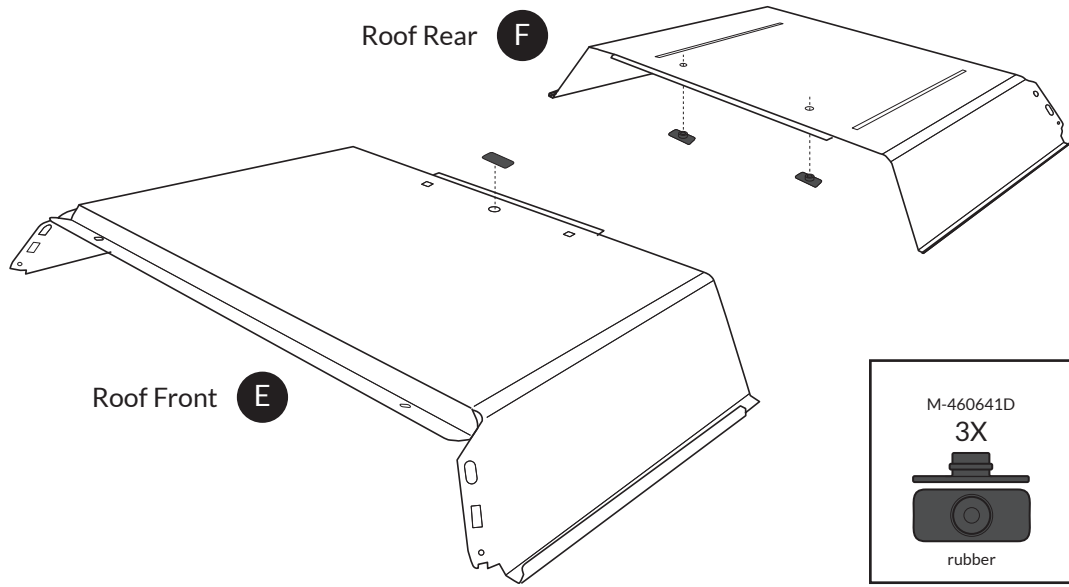


STEP  
**7**

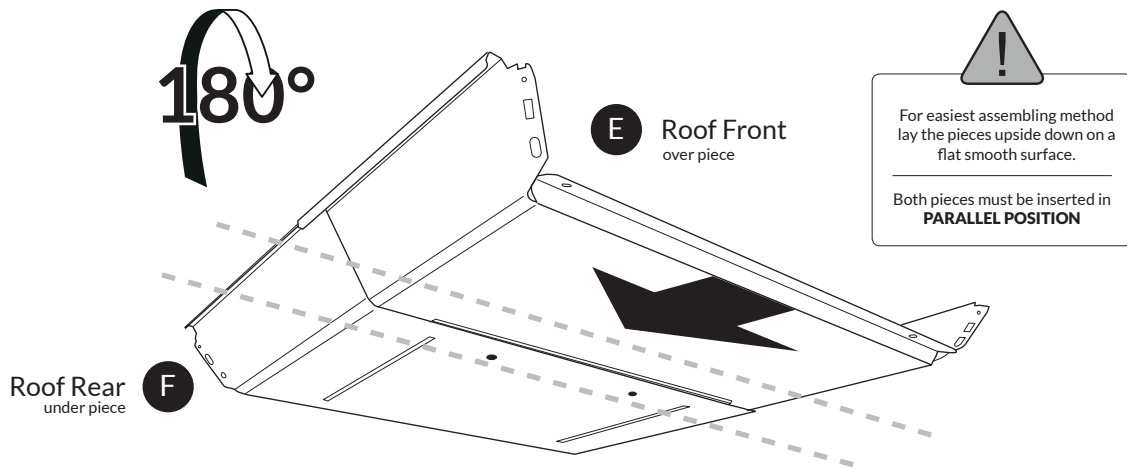


M-SM6X14IA  
4X

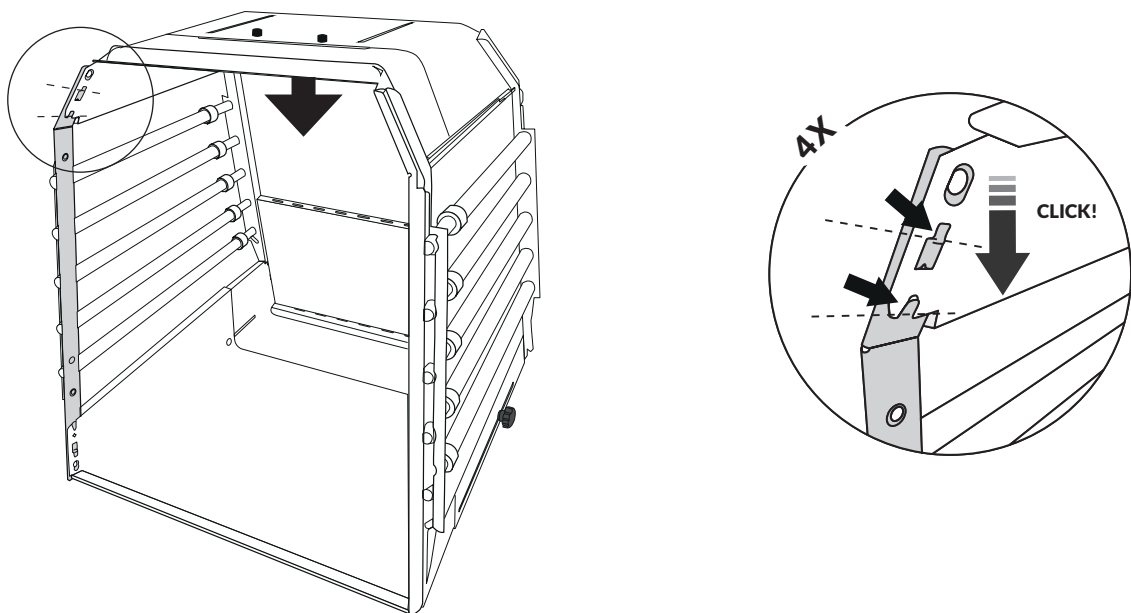
STEP  
**8**



STEP  
**9**

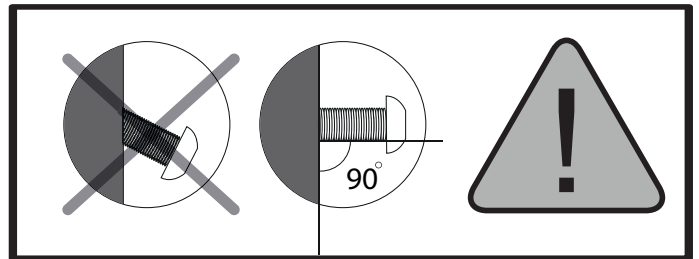
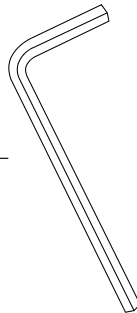
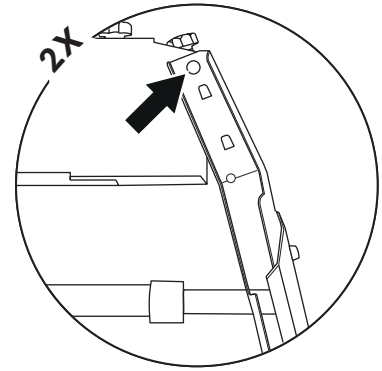
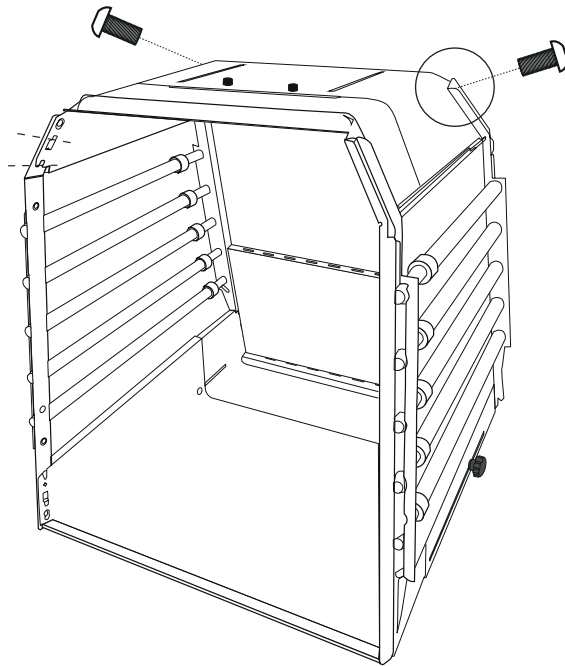
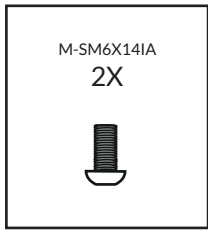


STEP  
**10**

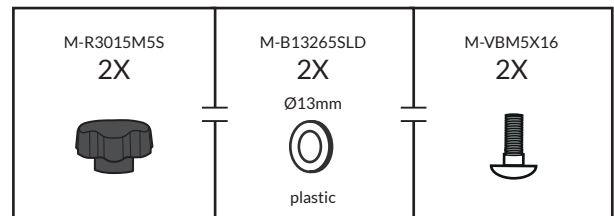
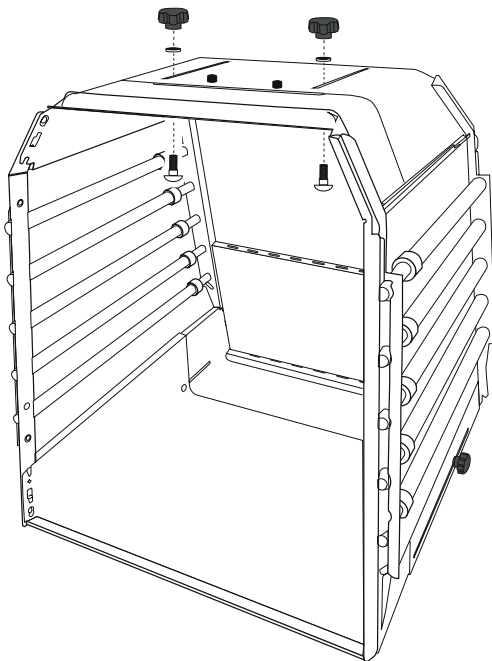




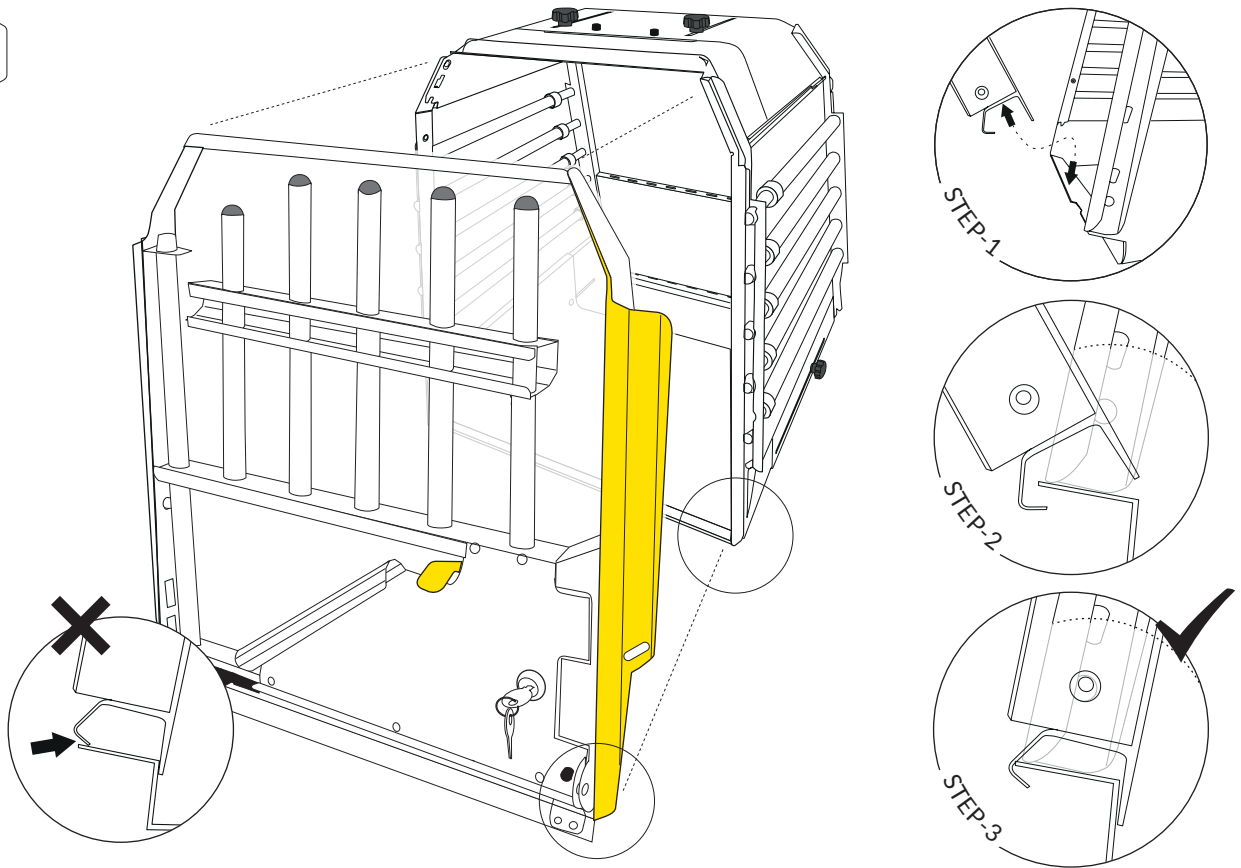
STEP  
**11**



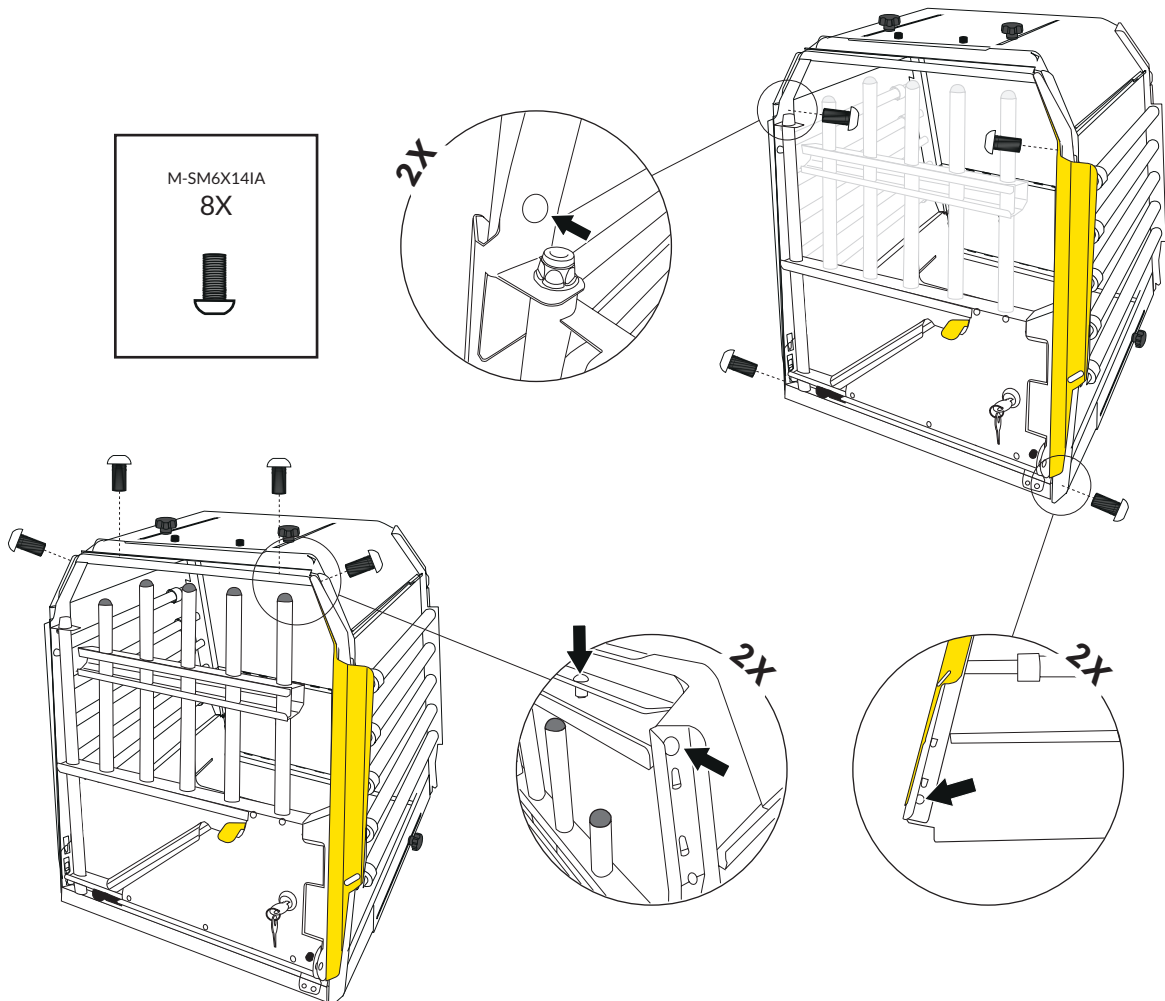
STEP  
**12**



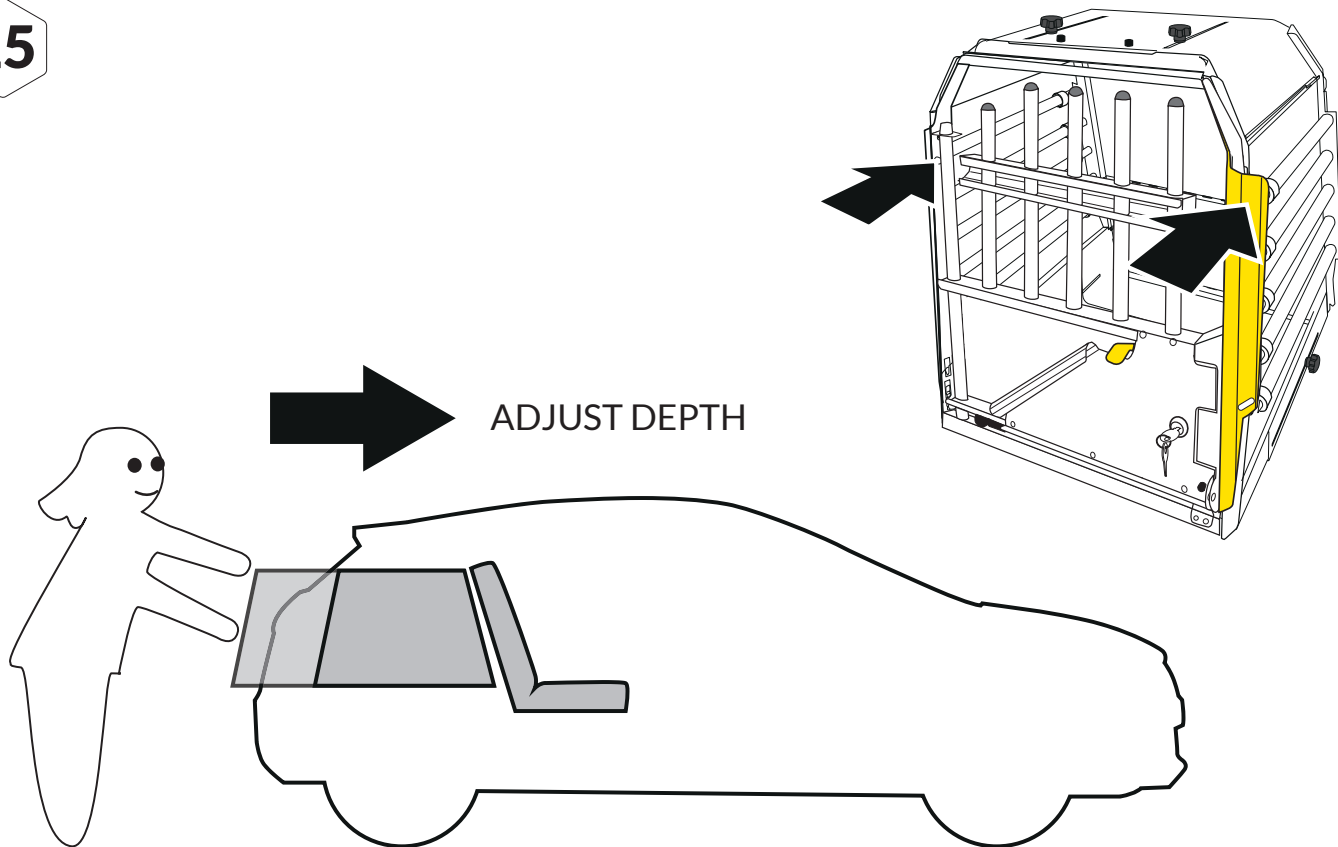
STEP  
**13**



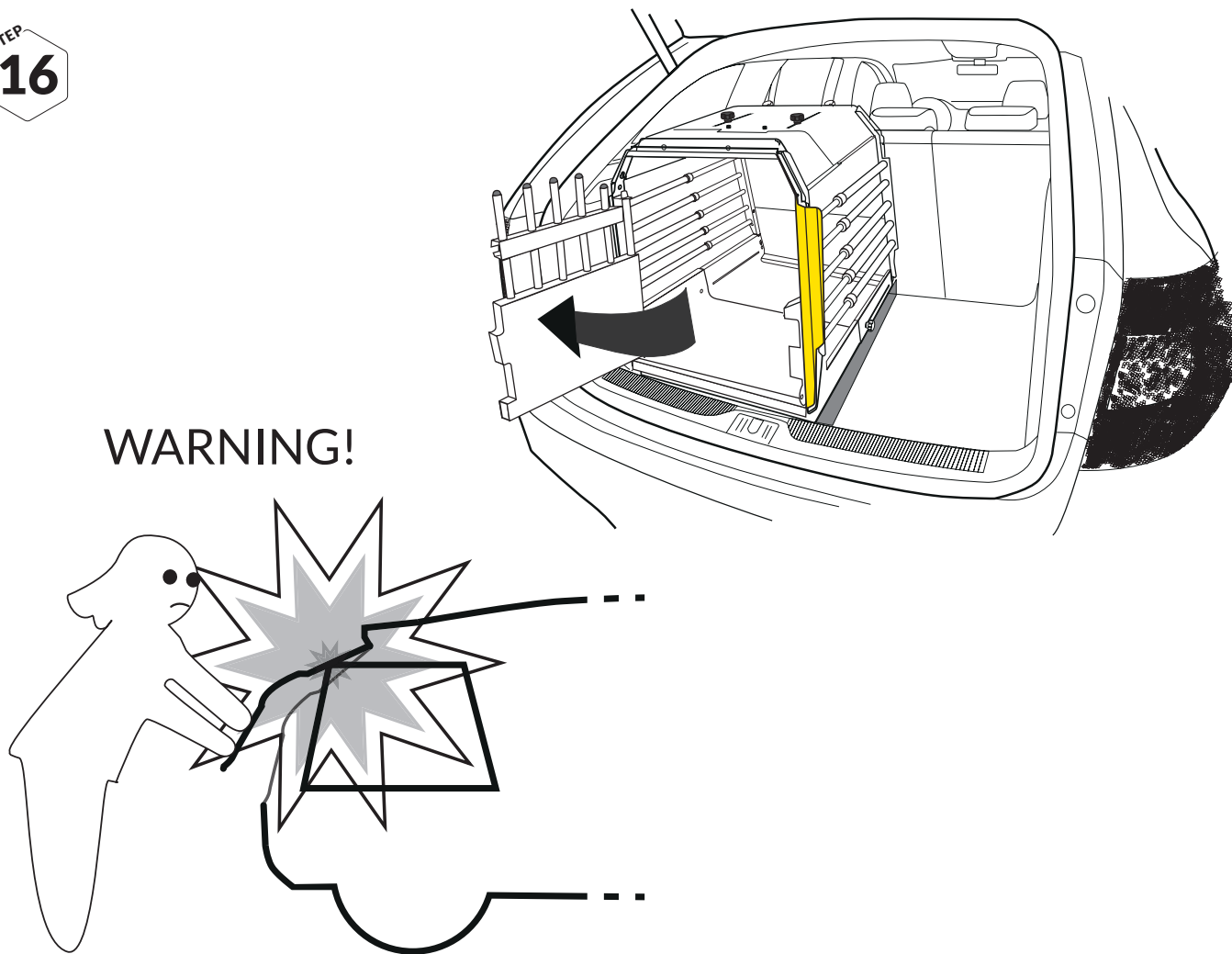
STEP  
**14**



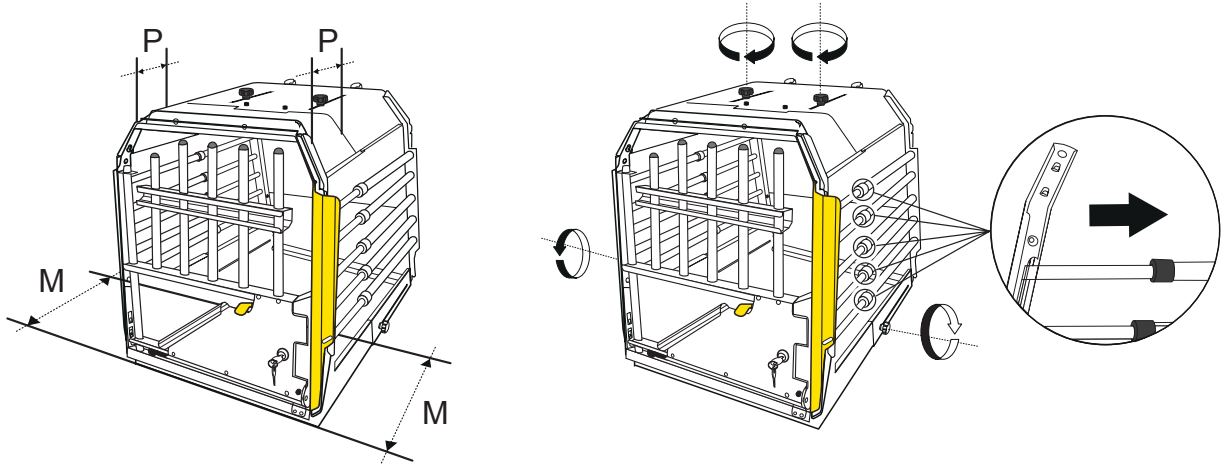
STEP  
**15**



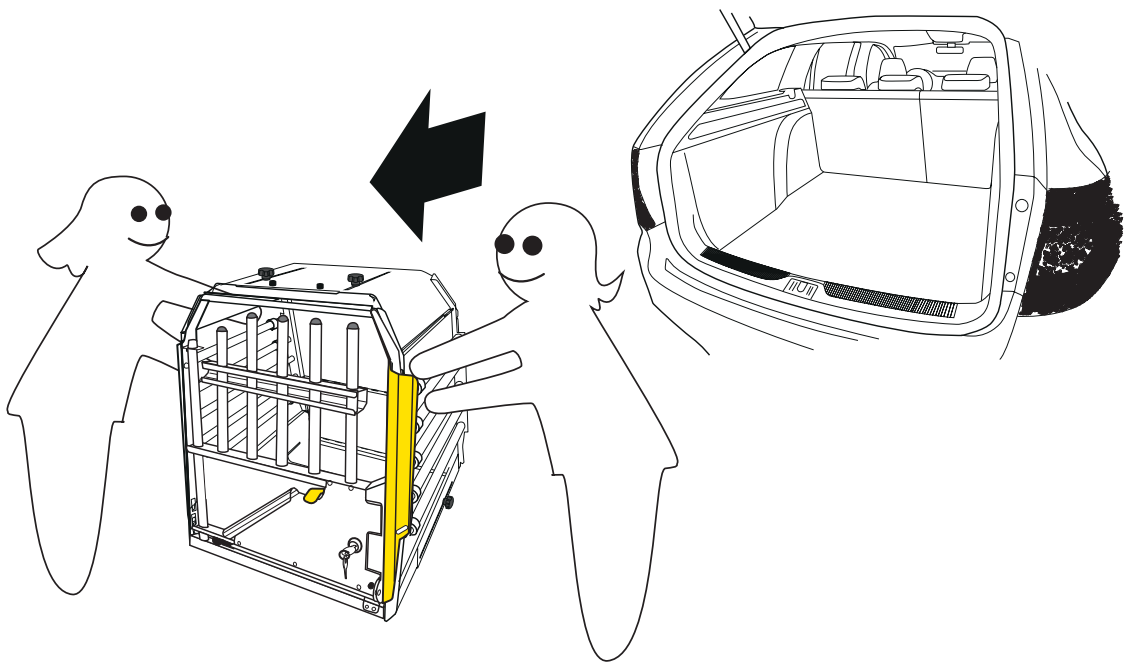
STEP  
**16**



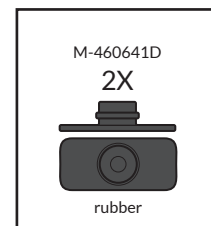
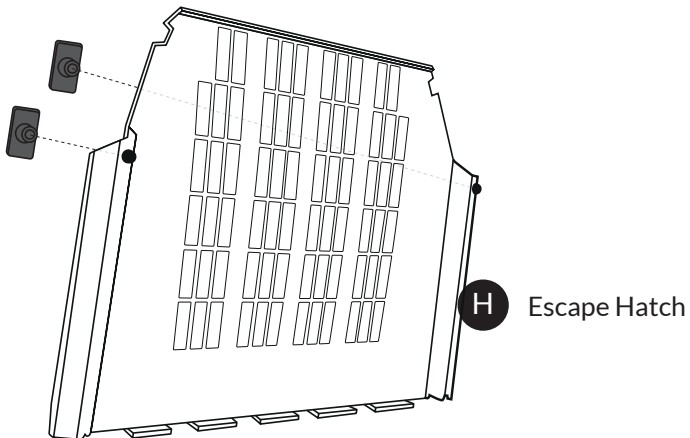
STEP  
**17**



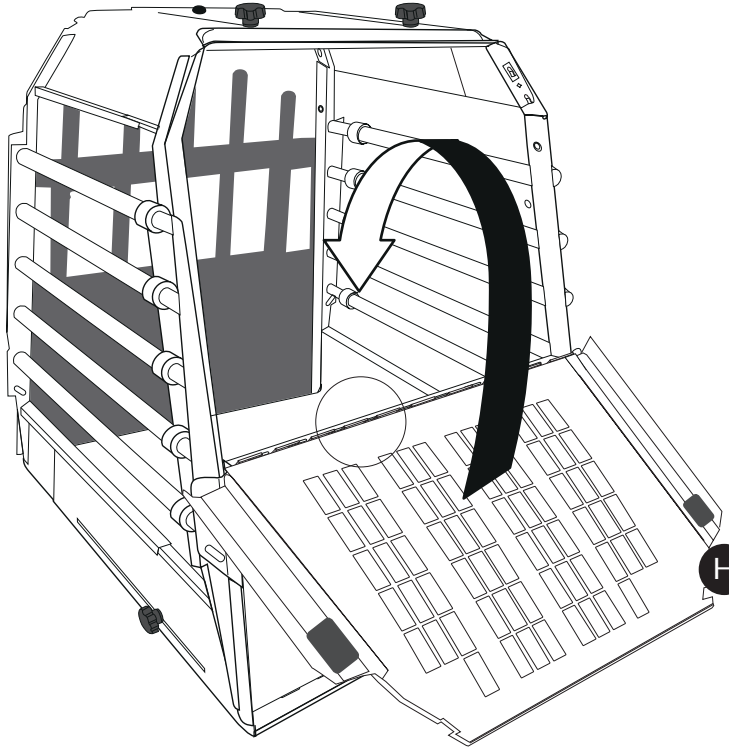
STEP  
**18**



STEP  
**19**

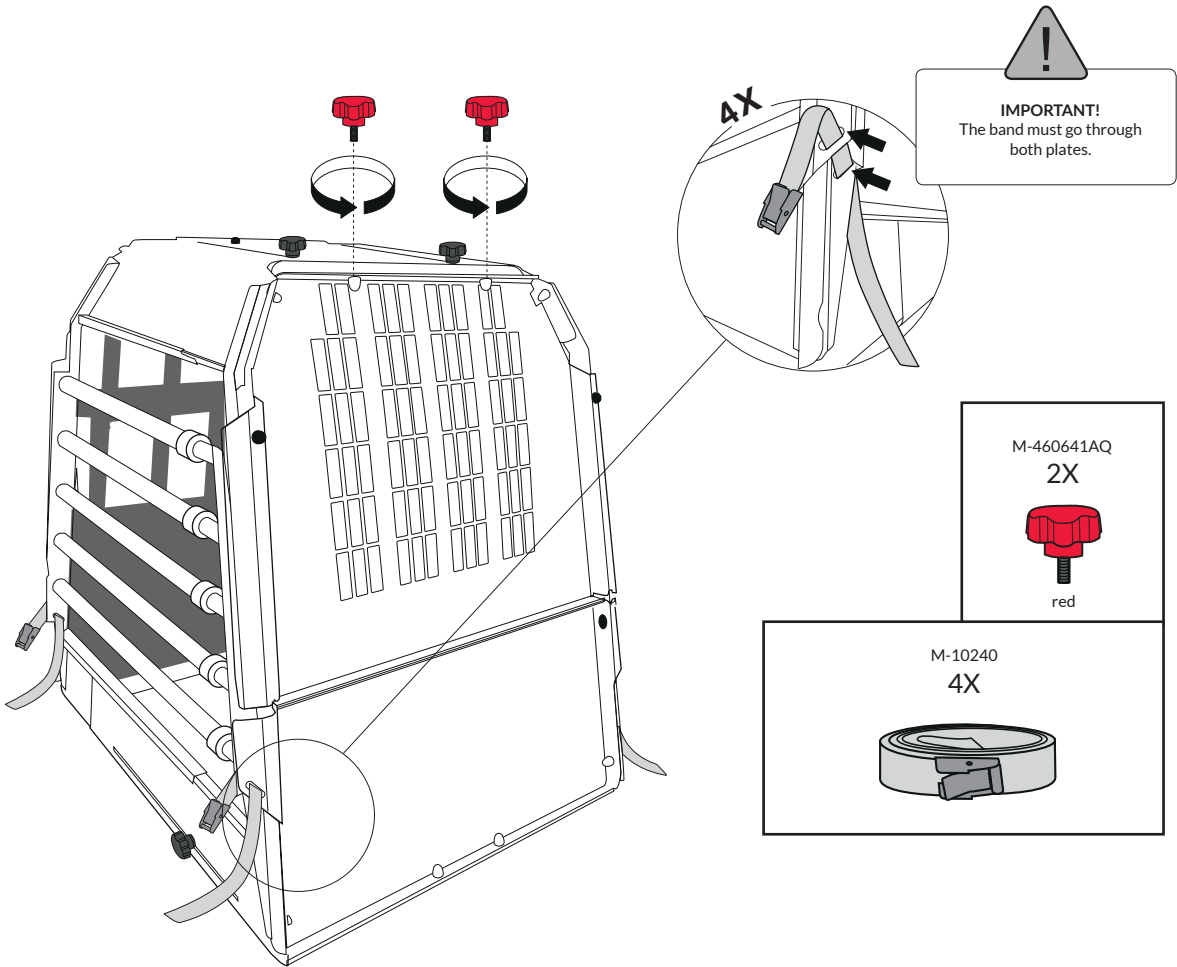


STEP  
**20**

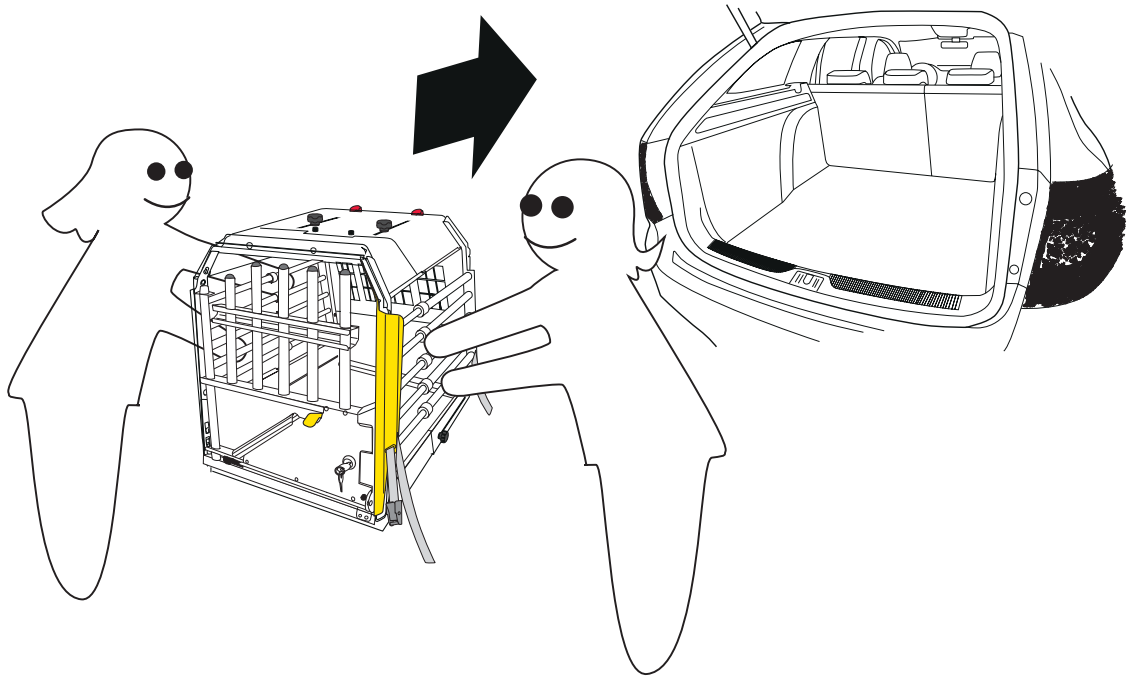


**H** Escape Hatch

STEP  
**21**



STEP  
**22**



STEP  
**23**

