



TB-3048SS

12 cu ft STEELSWIVEL DUMP CART

U.S. Patent No. 8,496,298



READ AND FOLLOW ALL SAFETY RULES AND OPERATING
INSTRUCTIONS BEFORE USING THIS EQUIPMENT

Safety Rules



This is the safety alert symbol. It is used to alert you to potential personal injury hazards. Obey all safety messages that follow this symbol to avoid possible injury or death.

Read and understand all safety rules and operating instructions before using this tractor attachment.

Follow all safety rules and operating instructions provided by your vehicle's manufacturer when using attachment.

Never allow children or untrained persons to operate vehicle or attachment.

Do not exceed the vehicle manufacturer's towed weight limit.

Reduce vehicle speed and allow extra stopping distance when towing heavy loads.

Reduce vehicle speed and towed weight when operating on slopes.

Operate up and down slopes, never across the face of slopes.

Do not carry passengers on vehicle or attachment.

Avoid sudden turns or maneuvers.

Do not tow attachment on public roadways.

Do not remove warning decals from product.

Check product for worn, loose, or damaged parts before each use. If any damage is present, repair the product before using.

Check product for loose or missing fasteners before each use. Tighten or replace fasteners as needed before using.

Do not exceed vehicle speed of 6 miles per hour when towing Dump Cart.

Do not exceed Dump Cart rated weight capacity of 1000 pounds.

Warranty

IF YOU ARE MISSING PARTS DO NOT RETURN TO STORE

Email cs@ohiosteel.com or call 1-800-652-2321, ext. 212

Attach Receipt Here:

Before you call, please email our customer service team at cs@ohiosteel.com with the following:

1. A description of the issue you are having
2. Photos of the issue that include an overall view and detailed view from multiple angles
3. If applicable, a short video showing the issue

Replacement Parts:

You can place your parts order online at ohiosteel.com/partsstore

- You can also reach our Customer Service Department at 1-800-652-2321, ext. 212
- If you are ordering replacement part(s) for your product, please note that some parts are only available as a repair kit.

If this product fails due to a defect in material or workmanship within THREE YEARS from the date of purchase, we will at our option, only with receipt of purchase, repair or replace it free of charge. This warranty excludes tires, bushings, and bearings which are expendable and become worn during normal use.

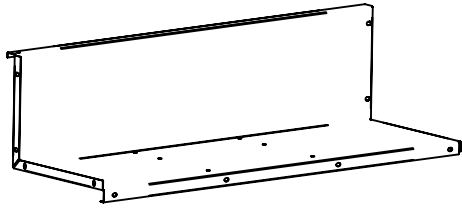
This warranty does not cover:

- Repairs necessary because of operator abuse or negligence.
- Equipment used for commercial or rental purposes.
- Paint that is worn or faded due to normal use or exposure.

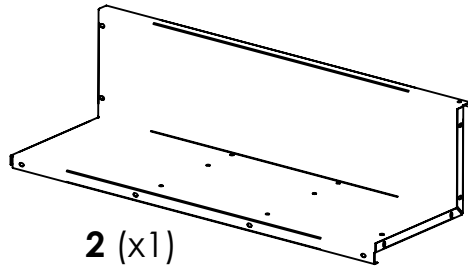
To arrange for product repair visit ohiosteel.com/customer-support and fill out the warranty repair form. You can also call 1-800-652-2321, ext. 212 to speak to our Customer Service Team

This warranty gives you specific legal rights, and you may also have other rights which may vary from state to state. This warranty applies only while this product is in use in the United States.

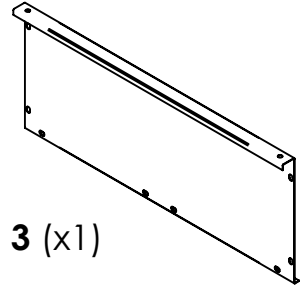
Carton Contents



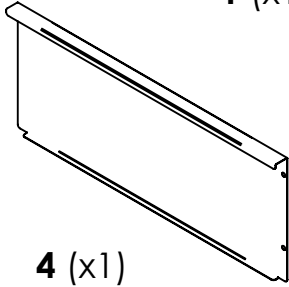
1 (x1)



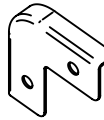
2 (x1)



3 (x1)



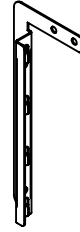
4 (x1)



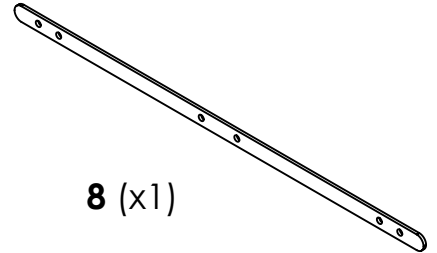
5 (x2)



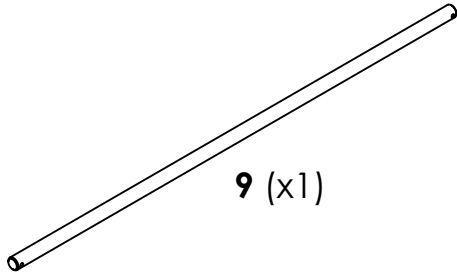
6 (x1)



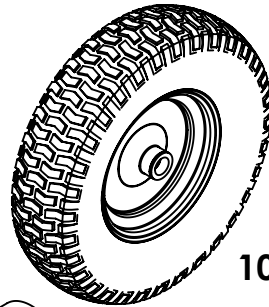
7 (x1)



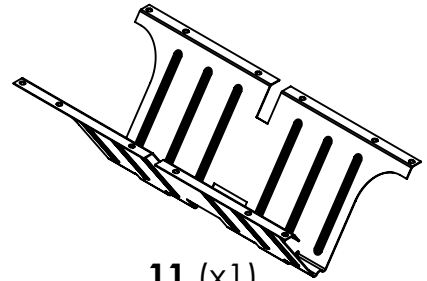
8 (x1)



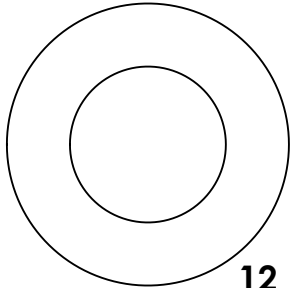
9 (x1)



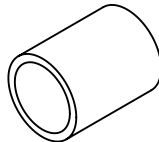
10 (x2)



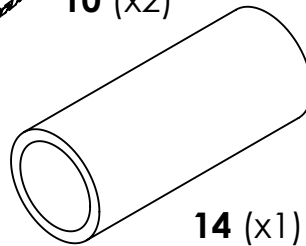
11 (x1)



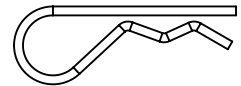
12 (x4)



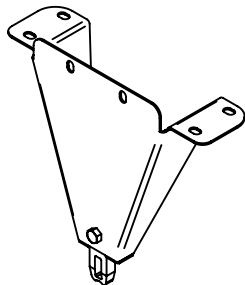
13 (x2)



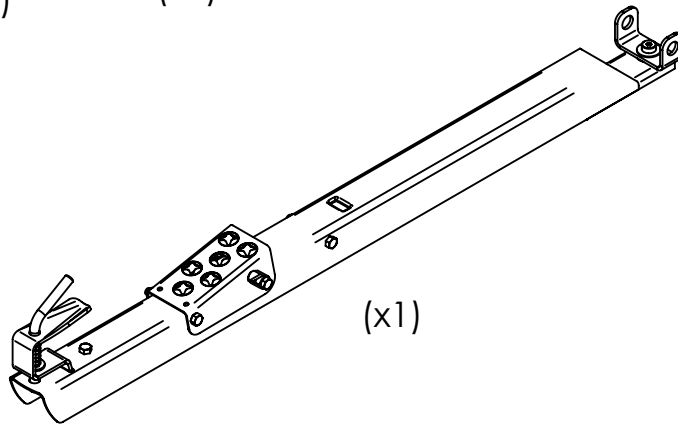
14 (x1)



15 (x2)



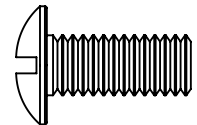
16 (x1)



(x1)



32 (x46)



33 (x46)

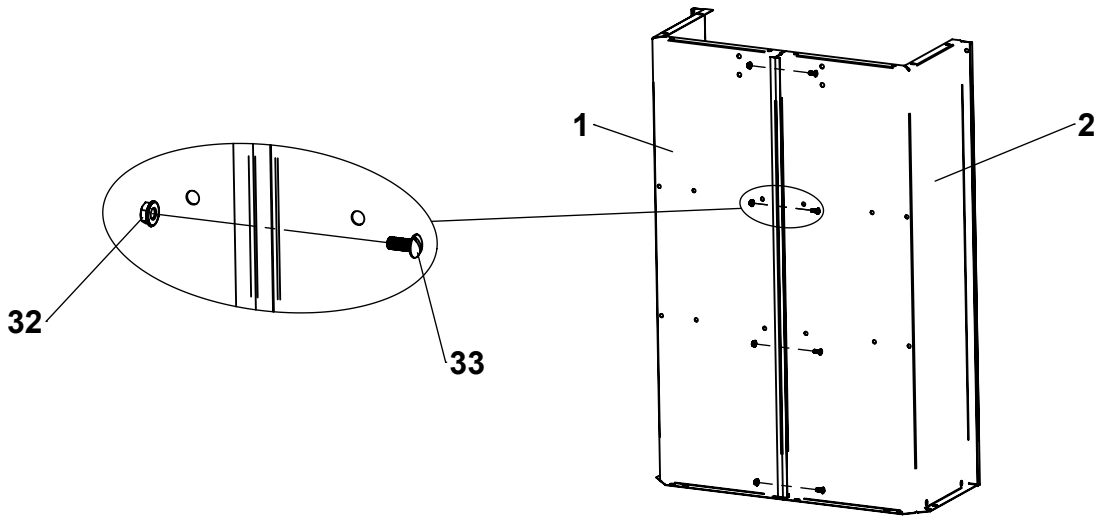
TOOLS REQUIRED FOR ASSEMBLY:

- 1/2" Wrench or Socket
- Large Flat Screwdriver

Assembly Instructions

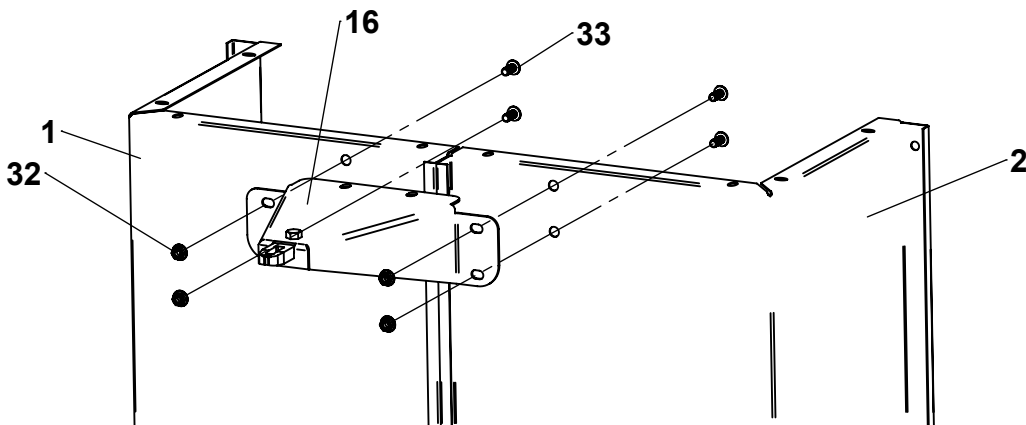
1

Place Body Halves (1 & 2) on a smooth flat surface so they are square, and fasten together with hardware (32 & 33) as shown.



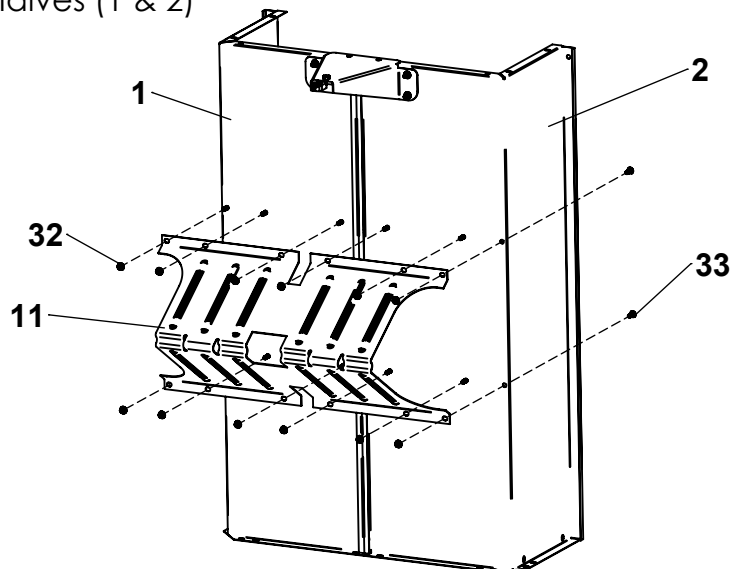
2

Attach Front Support (16) to Body Halves (1 & 2) and tighten hardware (32 & 33) as shown.



3

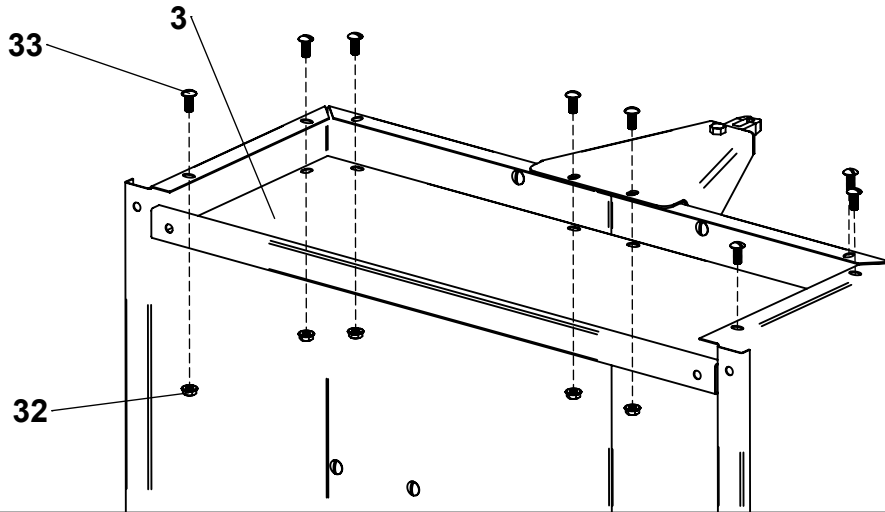
Attach Undercarriage (11) to Body Halves (1 & 2) and tighten hardware (32 & 33).



Assembly Instructions

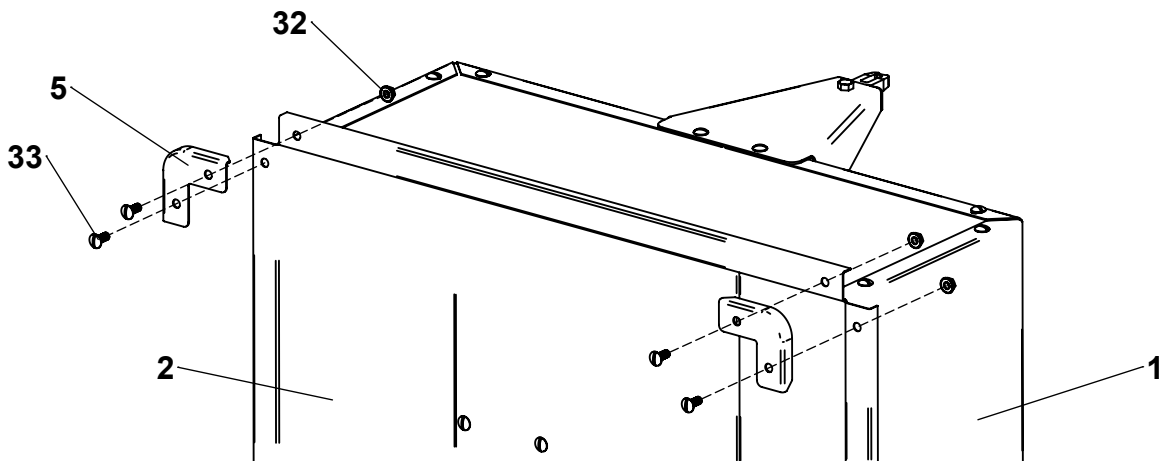
4

Attach Front Gate (3) to inside of body as shown and tighten hardware (32 & 33).



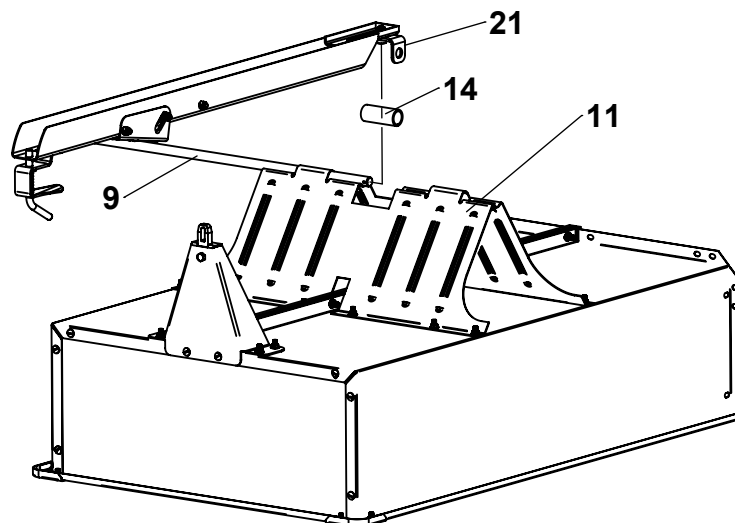
5

Align Corner (5) onto lip of Body Halves (1 & 2) and Front Gate (3) with hardware (32 & 33) as shown.



6

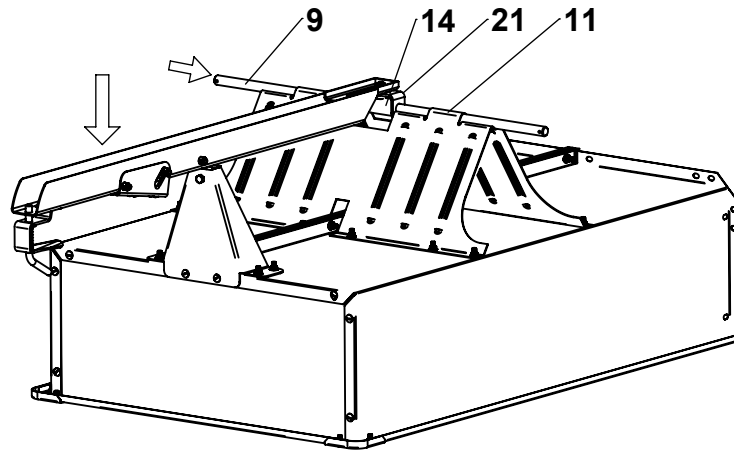
Insert Axle (9) into Undercarriage (11) halfway as shown. Center Spacer (14) inside Swivel Clevis (21) and align with Axle (9).



Assembly Instructions

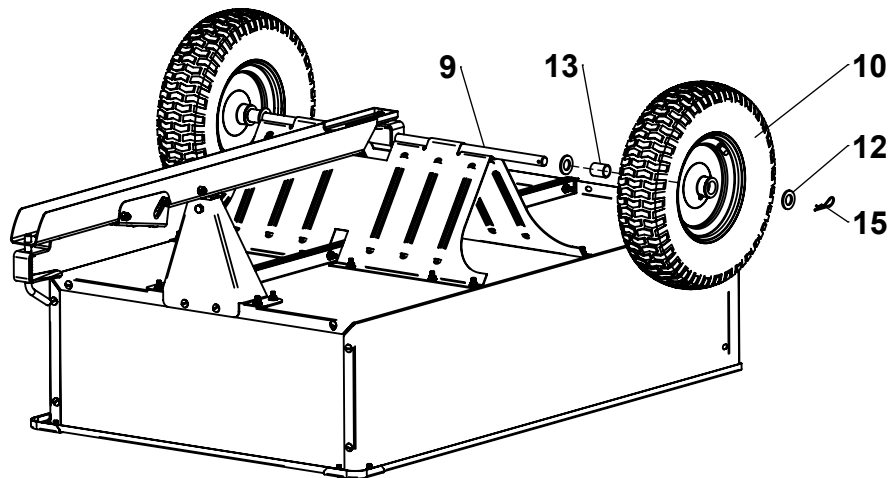
7

Slide Axle (9) completely through Undercarriage (11); be sure to catch the Swivel Clevis (21) and Spacer (14) when sliding the Axle (9) through. Align drawbar with the Front Support (16) and press down to latch.



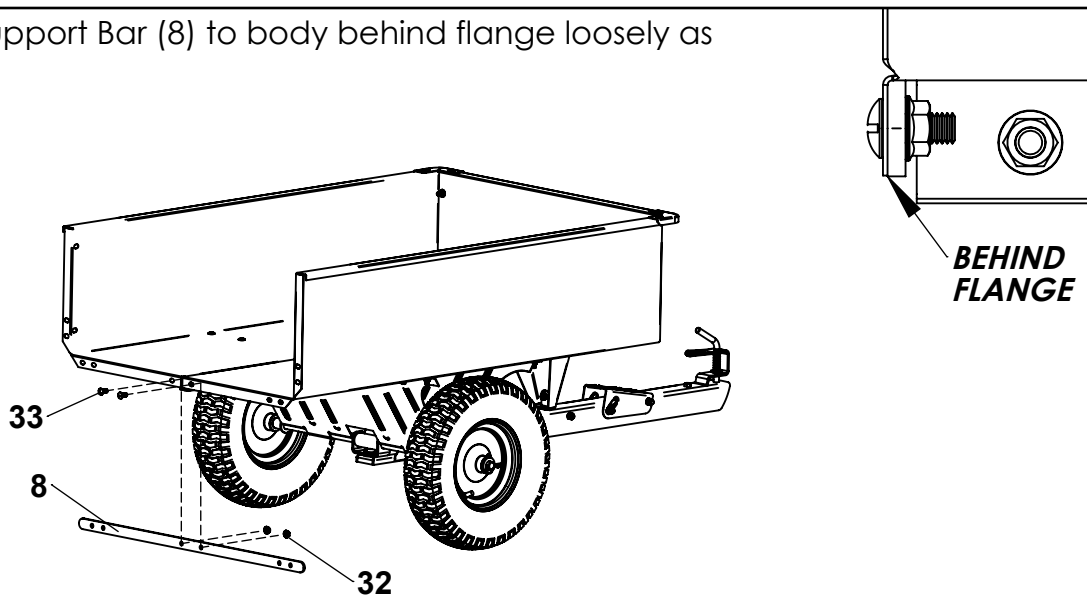
8

Slide Washers (12), Spacers (13), and Wheels (10) onto Axle (9) and secure with Hairpins (15) as shown.



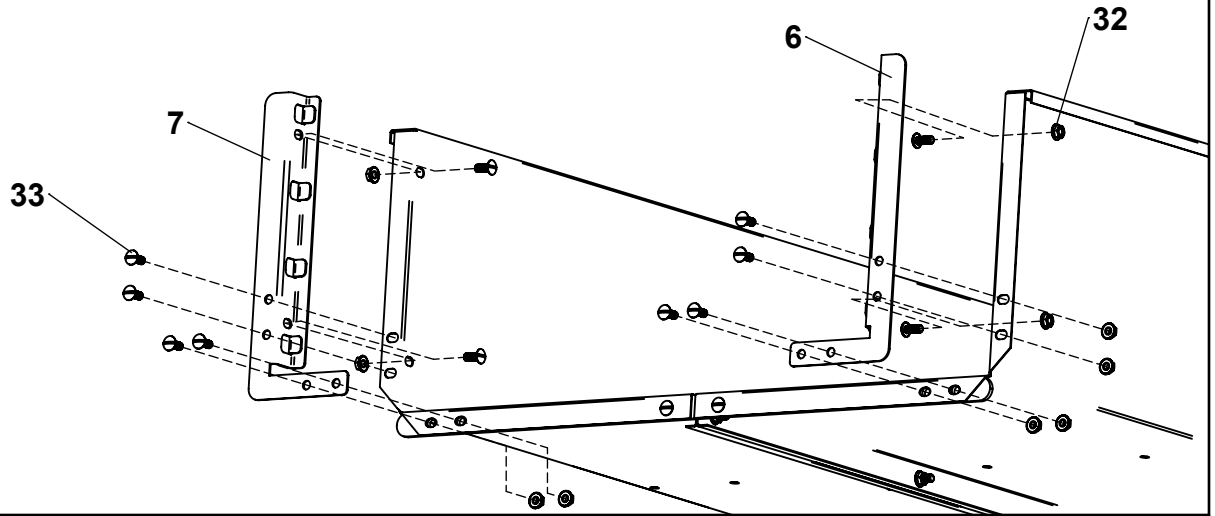
9

Attach the Support Bar (8) to body behind flange loosely as shown.

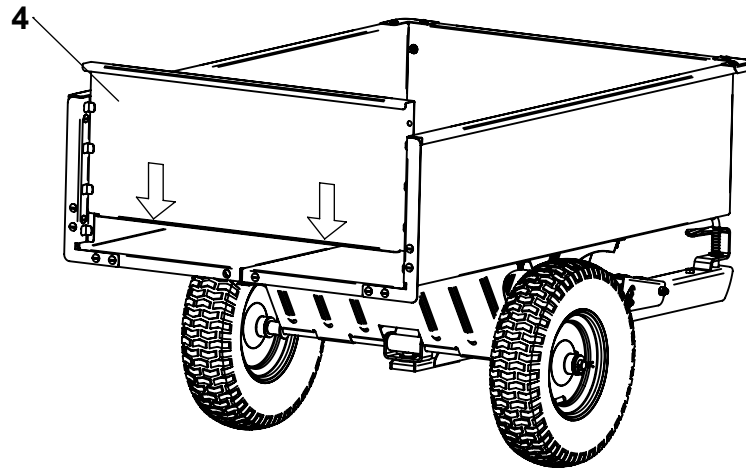


Assembly Instructions

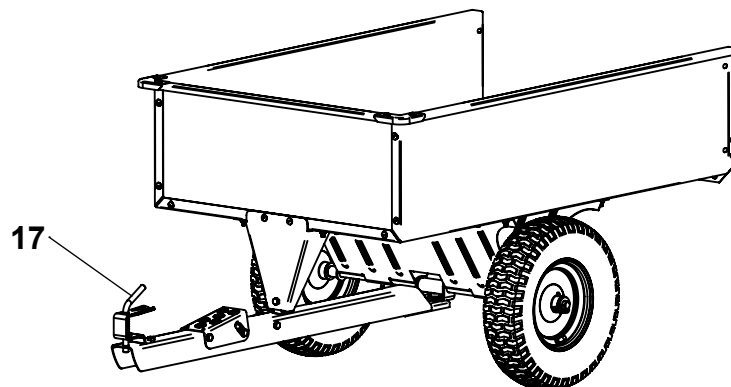
- 10** Attach Corner Gussets (6 & 7) to rear and sides of body and tighten with hardware (32 & 33) as shown.



- 11** Attach Tailgate (4) to body as shown. No hardware required, Tailgate should move freely up or down.



- 12** Pull up on Spring Loaded Hitch Bracket (17) for attachment to vehicle.



Operating Instructions

Before Using Dump Cart:

1. Check tire pressure and inflate to 30 psi if needed.
2. Read all Safety Rules found on page 1.

How to Use Dump Cart:

1. Attach Dump Cart to your tractor using the supplied hitch pin.
2. Do not exceed 1000 pounds when loading material into the cart body.
3. Distribute the weight of the load as evenly as possible in the cart body for best handling.
4. When hauling heavy loads, verify that your vehicle has adequate towing and braking capacity.
5. Do not exceed 6 miles per hour when towing Dump Cart.

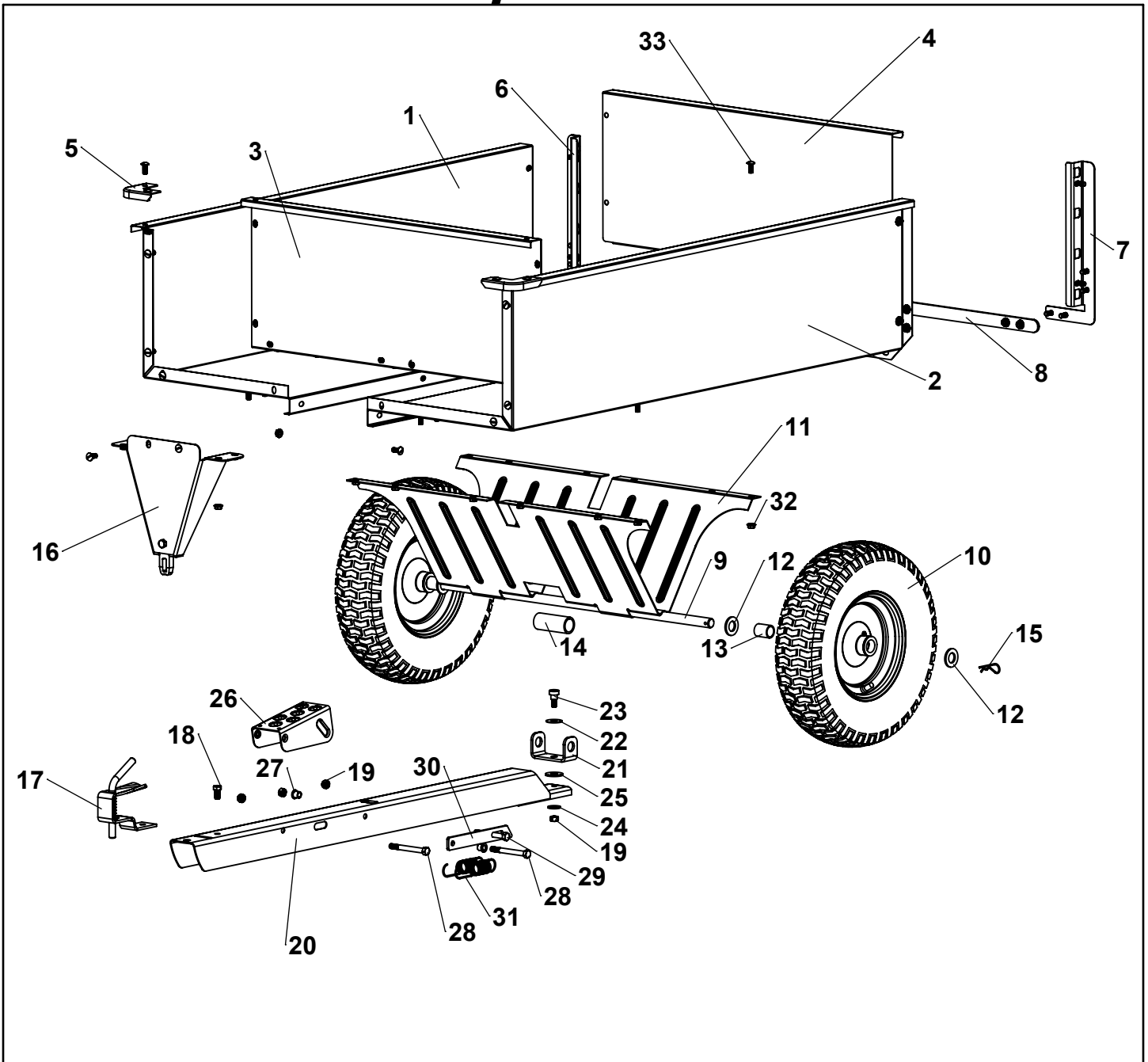
How to Empty Dump Cart:

1. Step down the foot pedal to release the latch mechanism.
2. Lift the body and swivel as desired to guide the material to preferred location.
3. Lift the body entirely and empty material.
4. Lower the body and guide the latch into the drawbar and relatch.

Periodic Maintenance:

- Tighten fasteners as needed before each use
- Check tire pressure before each use

Repair Parts



ITEM	PART NO	DESCRIPTION	QTY	ITEM	PART NO	DESCRIPTION	QTY
1	401011-R2	BODY HALF, RIGHT	1	17		SPRING LOADED HITCH BRACKET	1
2	401021-R2	BODY HALF, LEFT	1	18		HEX BOLT, 3/8-16 X 3/4"	2
3	401031-R2	GATE, FRONT	1	19		HEX NUT, 3/8-16 C-LOCK	6
4	401041-R2	TAILGATE	1	20		DRAWBAR, WELDED	1
5	401051-R2	CORNER	2	21		CLEVIS, SWIVEL	1
6	401071-R2	RETAINER GATE, RIGHT	1	22		WASHER, SPRING	1
7	401081-R2	RETAINER GATE, LEFT	1	23		SHOULDER BOLT, 1/2" X 3/8"	1
8	401131-R2	BAR SUPPORT, REAR	1	24		WASHER, 3/8" USS	1
9	300001	AXLE	1	25		WASHER, 1/2" USS	1
10	6002415	WHEEL	2	26		FOOT PEDAL	1
11	401061-B2	UNDERCARRIAGE	1	27		BEARING	2
12	3000721-ZB	WASHER, 3/4" SAE	4	28		HEX BOLT, 3/8-16 X 3-1/2"	2
13	6000105	SPACER, SHORT	2	29		HEX BOLT, 3/8-16 X 3"	1
14	6000463	SPACER, LONG	1	30		LATCH	1
15	300084	HAIRPIN COTTER, 0.093" X 2-5/16"	2	31		SPRING, LATCH	2
16	6000310-B2	FRONT SUPPORT	1	32		SPINNER GRIP NUT, 5/16-18	46
				33		SLOTTED BOLT, 5/16-18 X 3/4"	46

Proudly designed and tested in
Columbus, Ohio
Manufactured in the U.S.A. from
domestic and imported components



MODEL # **TB-3048SS**

(800) 652-2321

(800) 652-2321