



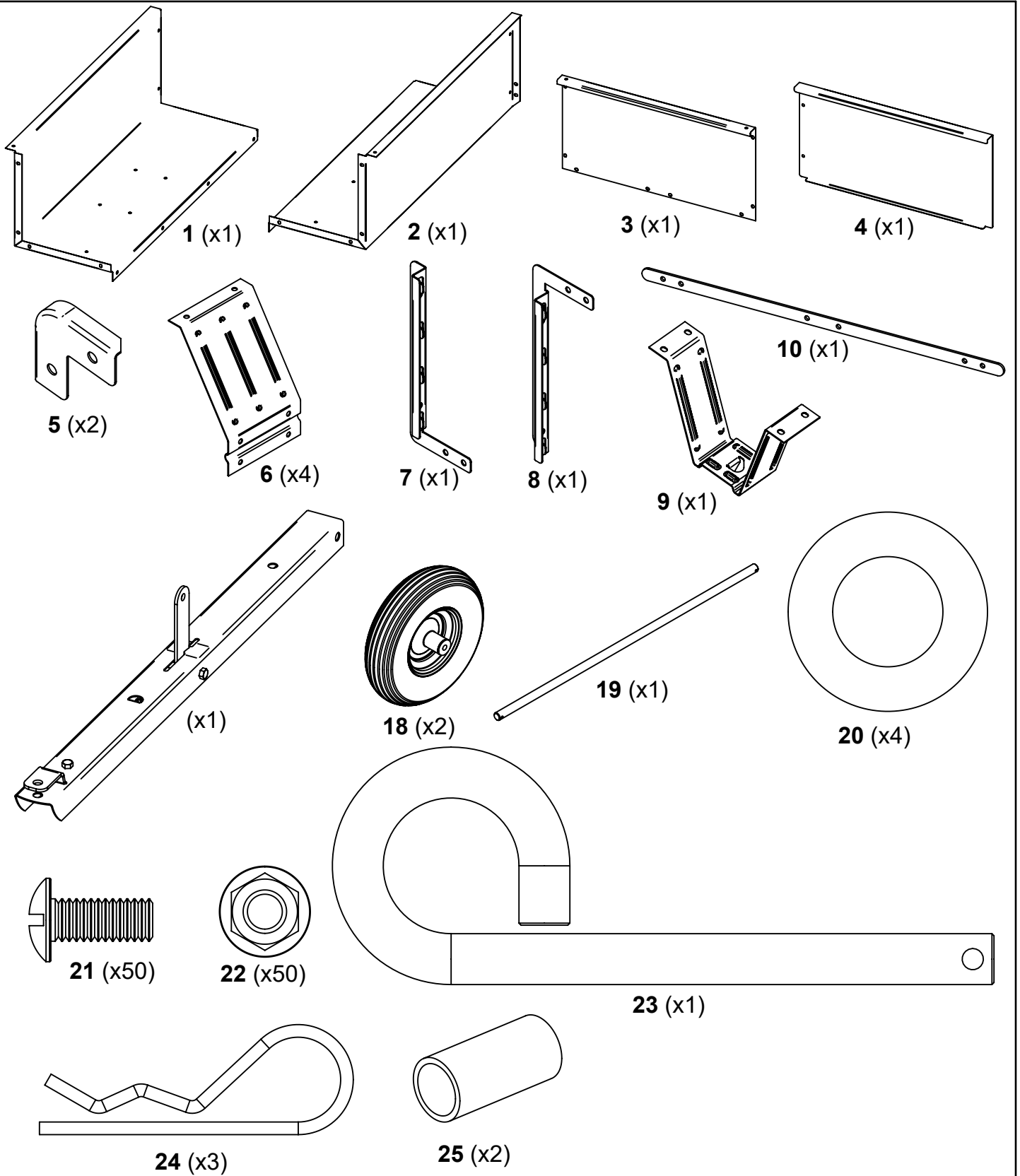
TB-350S

9 cu ft STEEL DUMP CART



READ AND FOLLOW ALL SAFETY RULES AND OPERATING INSTRUCTIONS BEFORE USING THIS EQUIPMENT

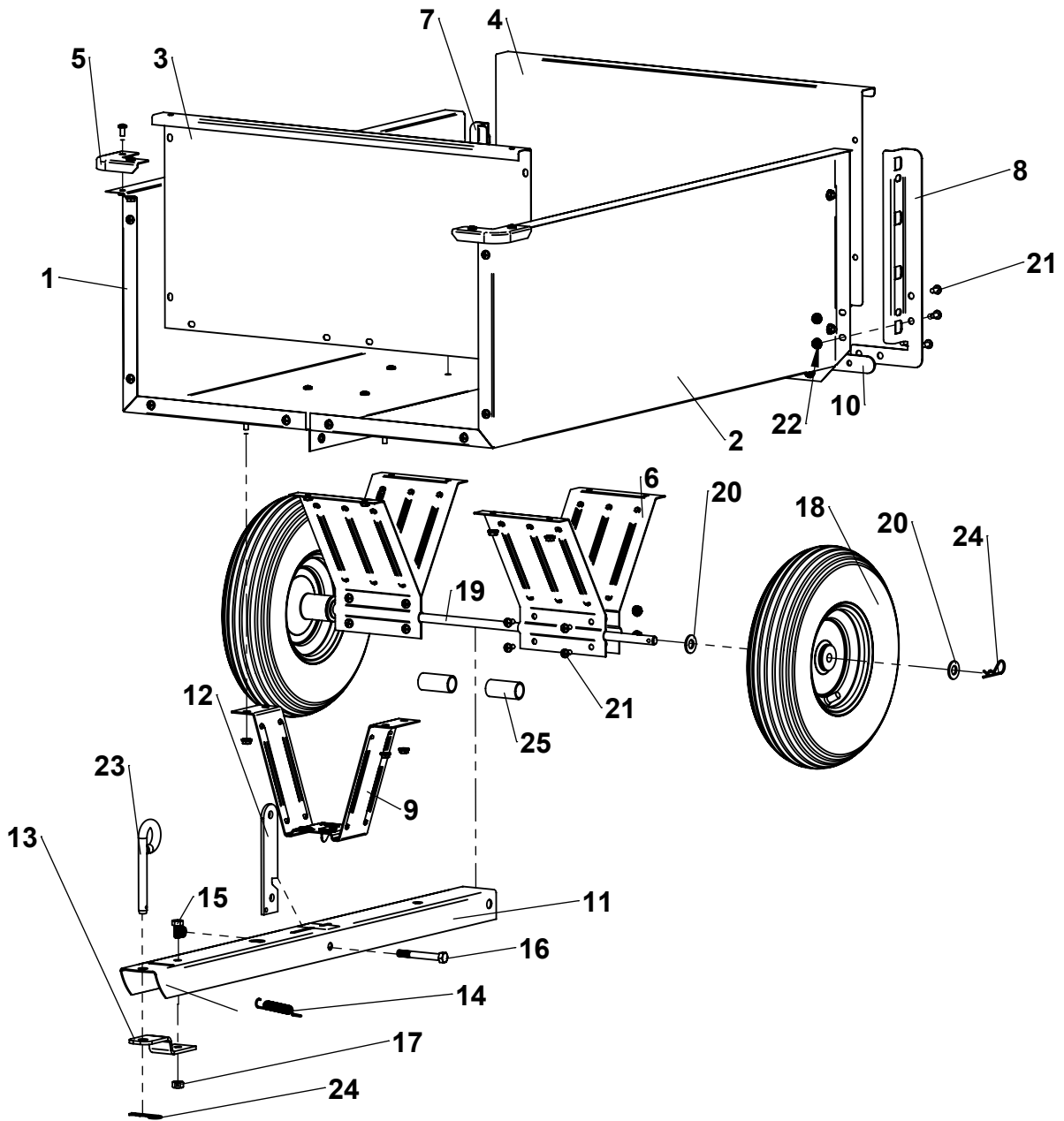
Carton Contents



TOOLS REQUIRED FOR ASSEMBLY:

- Large Phillips Screwdriver
- 7/16" Wrench or Socket

Repair Parts



ITEM	PART NO	DESCRIPTION	QTY	ITEM	PART NO	DESCRIPTION	QTY
1	6000949-R2	BODY HALF,RIGHT	1	14		SPRING, LATCH	1
2	6000948-R2	BODY HALF,LEFT	1	15	KIT	HEX BOLT,3/8-16 X 3/4"	1
3	6000951-R2	GATE,FRONT	1	16	6000956-BR	HEXBOLT, 3/8-16 X 3"	1
4	6000952-R2	TAILGATE	1	17		HEXNUT, 3/8-16 C-LOCK	2
5	401051-R2	CORNER	2	18	6002416	WHEEL	2
6	6000946-B2	UNDERCARRIAGE	4	19	6000955	AXLE	1
7	401071-R2	RETAINER GATE,RIGHT	1	20		1/2" SAE WASHER	4
8	401081-R2	RETAINER GATE,LEFT	1	21		PAN HEAD, 1/4-20X1/2"	50
9	6000950-B2	SUPPORT,FRONT	1	22	KIT	FLANGE NUT, 1/4-20	50
10	6000954-R2	BAR SUPPORT,REAR	1	23	6000957	PIN,HITCH	1
11		DRAWBAR, FORMED		24		HAIRPIN COTTER	3
12	KIT	LATCH POST	1	25		HDPE SPACER	2
13	6000956-BR	BRACKET, HITCH	1				