

OPERATOR'S MANUAL

Snow Blower

2-Stage and 3-Stage (500, 600 & 800 Series)

English	Page 2
Spanish (Español)	Page 30
French (Français).....	Page 60

Record Product Information

Before setting up and operating your new snow blower, please locate the model plate on the equipment and record the information in the provided area to the right. You can locate the model plate by standing at the operator's position and looking down at the rear of the snow blower. This information will be necessary, should you seek technical support via our web site, Customer Support Department, or with a local authorized service dealer.

Model Number

Serial Number

⚠ WARNING

Read and follow all safety rules and instructions in this manual before attempting to operate this machine.

Failure to comply with these instructions may result in personal injury - SAVE THESE INSTRUCTIONS.

⚠ WARNING

CALIFORNIA PROPOSITION 65

Engine Exhaust, some of its constituents, and certain vehicle components contain or emit chemicals known to State of California to cause cancer and birth defects or other reproductive harm.

NOTE: This Operator's Manual covers several models. Features may vary by model. Not all features in this manual are applicable to all models and the model depicted may differ from yours.



SAFE OPERATION PRACTICES

WARNING



This symbol points out important safety instructions which, if not followed, could endanger the personal safety and/or property of yourself and others. Read and follow all instructions in this manual before attempting to operate this machine. Failure to comply with these instructions may result in personal injury. When you see this symbol, **HEED ITS WARNING!**

DANGER

This machine was built to be operated according to the safe operation practices in this manual. As with any type of power equipment, carelessness or error on the part of the operator can result in serious injury. This machine is capable of amputating fingers, hands, toes and feet and throwing debris. Failure to observe the following safety instructions could result in serious injury or death.

TRAINING

1. Read, understand, and follow all instructions on the machine and in the manual(s) before attempting to assemble and operate. Keep this manual in a safe place for future and regular reference and for ordering replacement parts.
2. Be familiar with all controls and their proper operation. Know how to stop the machine and disengage them quickly.
3. Never allow children under 14 years of age to operate this machine. Children 14 and over should read and understand the instructions and safe operation practices in this manual and on the machine and be trained and supervised by an adult.
4. Never allow adults to operate this machine without proper instruction.
5. Thrown objects can cause serious personal injury. Plan your snow-blowing pattern to avoid discharge of material toward roads, bystanders and the like.
6. Keep bystanders, pets and children at least 75 feet from the machine while it is in operation. Stop machine if anyone enters the area.
7. Exercise caution to avoid slipping or falling, especially when operating in reverse.

PREPARATION

Thoroughly inspect the area where the equipment is to be used. Remove all doormats, newspapers, sleds, boards, wires and other foreign objects, which could be tripped over or thrown by the machine.

1. Always wear safety glasses or eye shields during operation and while performing an adjustment or repair to protect your eyes. Thrown objects which ricochet can cause serious injury to the eyes.
2. Do not operate without wearing adequate winter outer garments. Do not wear jewelry, long scarves or other loose clothing, which could become entangled in moving parts. Wear footwear which will improve footing on slippery surfaces.
3. Use a grounded three-wire extension cord and receptacle for all machines with electric start engines.
4. Adjust auger housing height to clear gravel or crushed rock surfaces.
5. Disengage all control levers before starting the engine.
6. Never attempt to make any adjustments while engine is running, except where specifically recommended in the operator's manual.
7. Let engine and machine adjust to outdoor temperature before starting to clear snow.

SAFE OPERATION PRACTICES

SAFE HANDLING OF GASOLINE

To avoid personal injury or property damage use extreme care in handling gasoline. Gasoline is extremely flammable and the vapors are explosive. Serious personal injury can occur when gasoline is spilled on yourself or your clothes which can ignite. Wash your skin and change clothes immediately.

1. Use only an approved gasoline container.
2. Extinguish all cigarettes, cigars, pipes and other sources of ignition.
3. Never fuel machine indoors.
4. Never remove gas cap or add fuel while the engine is hot or running.
5. Allow engine to cool at least 5 minutes before refueling.
6. Never over fill fuel tank. Fill tank to no more than ½ inch below bottom of filler neck to provide space for fuel expansion.
7. Replace gasoline cap and tighten securely.
8. If gasoline is spilled, wipe it off the engine and equipment. Move machine to another area. Wait 5 minutes before starting the engine. If fuel is spilled on clothing, change clothing immediately.
9. Never store the machine or fuel container inside where there is an open flame, spark or pilot light (e.g. furnace, water heater, space heater, clothes dryer etc.).
10. Allow machine to cool at least 5 minutes before storing.
11. Never fill containers inside a vehicle or on a truck or trailer bed with a plastic liner. Always place containers on the ground away from your vehicle before filling.
12. If possible, remove gas-powered equipment from the truck or trailer and refuel it on the ground. If this is not possible, then refuel such equipment on a trailer with a portable container, rather than from a gasoline dispenser nozzle.
13. Keep the nozzle in contact with the rim of the fuel tank or container opening at all times until fueling is complete. Do not use a nozzle lock-open device.

OPERATION

1. Do not put hands or feet near rotating parts, in the auger housing or chute assembly. Contact with the rotating parts can amputate hands and feet.
2. The auger control lever is a safety device. Never bypass its operation. Doing so makes the machine unsafe and may cause personal injury.
3. The control levers must operate easily in both directions and automatically return to the disengaged position when released.
4. Never operate with a missing or damaged chute assembly. Keep all safety devices in place and working.
5. Never run an engine indoors or in a poorly ventilated area. Engine exhaust contains carbon monoxide, an odorless and deadly gas.
6. Do not operate machine while under the influence of alcohol or drugs.
7. Muffler and engine become hot and can cause a burn. Do not touch. Keep children away.
8. Exercise extreme caution when operating on or crossing gravel surfaces. Stay alert for hidden hazards or traffic.
9. Exercise caution when changing direction and while operating on slopes. Do not operate on steep slopes.
10. Plan your snow-blowing pattern to avoid discharge towards windows, walls, cars etc. Thus, avoiding possible property damage or personal injury caused by a ricochet.
11. Never direct discharge at children, bystanders and pets or allow anyone in front of the machine.
12. Do not overload machine capacity by attempting to clear snow at too fast of a rate.
13. Never operate this machine without good visibility or light. Always be sure of your footing and keep a firm hold on the handles. Walk, never run.
14. Release auger control lever to disengage power to the auger when transporting or not clearing snow.
15. Never operate machine at high transport speeds on slippery surfaces. Look down and behind and use care when backing up.
16. After striking a foreign object or if the machine should start to vibrate abnormally, stop the engine, remove the safety key or disconnect spark plug wire. Inspect thoroughly for damage. Repair any damage before starting and operating.

SAFE OPERATION PRACTICES

17. Disengage all control levers, stop engine, remove the safety key or disconnect spark plug wire before you leave the operating position (behind the handles). Wait until the auger comes to a complete stop before unclogging the chute assembly, making any adjustments, or inspections.
18. Never put your hand in the discharge or collector openings. Always use the clean-out tool provided to unclog the discharge opening. Do not unclog chute assembly while engine is running. Shut off engine, remove the safety key or disconnect spark plug wire. Remain behind handles until all moving parts have stopped before unclogging.
19. Use only attachments and accessories approved by the manufacturer (e.g. wheel weights, tire chains, cabs etc.).
20. When starting engine, pull cord slowly until resistance is felt, then pull rapidly. Rapid retraction of starter cord (kickback) will pull hand and arm toward engine faster than you can let go. Broken bones, fractures, bruises or sprains could result.
21. If situations occur which are not covered in this manual, use care and good judgment. Contact Customer Support for assistance and the name of your nearest servicing dealer.

CLEARING A CLOGGED DISCHARGE CHUTE

Hand contact with the rotating impeller or auger inside the discharge chute is the most common cause of injury associated with snow blowers. Never use your hand to clean out the discharge chute.

To clear the chute:

1. SHUT THE ENGINE OFF!
2. Remove the safety key or disconnect spark plug wire.
3. Wait 10 seconds to be sure the impeller or auger has stopped rotating.
4. Always use a clean-out tool, not your hands.

MAINTENANCE & STORAGE

1. Never tamper with safety devices. Check their proper operation regularly. Refer to the maintenance and adjustment sections of this manual.
2. Before cleaning, repairing, or inspecting machine, disengage all control levers, stop the engine, remove the safety key or disconnect spark plug wire. Wait until the auger comes to a complete stop.
3. Check bolts and screws for proper tightness at frequent intervals to keep the machine in safe working condition. Also, visually inspect machine for any damage.
4. Do not change the engine governor setting or over-speed the engine. The governor controls the maximum safe operating

speed of the engine.

5. Snow blower shave plates and skid shoes are subject to wear and damage. For your safety protection, frequently check all components and replace with original equipment manufacturer's (OEM) parts only. "Use of parts which do not meet the original equipment specifications may lead to improper performance and compromise safety!"
6. Check control levers periodically to verify they engage and disengage properly and adjust, if necessary. Refer to the adjustment section in this operator's manual for instructions.
7. Maintain or replace safety and instruction labels, as necessary.
8. Observe proper disposal laws and regulations for gas, oil, etc. to protect the environment.
9. Prior to storing, run machine a few minutes to clear snow from machine and prevent freeze up of auger.
10. Never store the machine or fuel container inside where there is an open flame, spark or pilot light such as a water heater, furnace, clothes dryer, etc.
11. Always refer to the operator's manual for proper instructions on off-season storage.
12. Check fuel line, tank, cap, and fittings frequently for cracks or leaks. Replace if necessary.
13. Do not crank engine with spark plug removed.
14. According to the Consumer Products Safety Commission (CPSC) and the U.S. Environmental Protection Agency (EPA), this product has an **Average Useful Life** of seven (7) years, or 60 hours of operation. At the end of the **Average Useful Life** have the machine inspected annually by an authorized service dealer to ensure that all mechanical and safety systems are working properly and not worn excessively. Failure to do so can result in accidents, injuries or death.

DO NOT MODIFY ENGINE


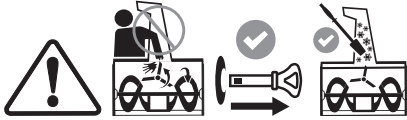





To avoid serious injury or death, do not modify engine in any way. Tampering with the governor setting can lead to a runaway engine and cause it to operate at unsafe speeds. Never tamper with factory setting of engine governor.

NOTICE REGARDING EMISSIONS

Engines which are certified to comply with California and federal EPA emission regulations for SORE (Small Off Road Equipment) are certified to operate on regular unleaded gasoline, and may include the following emission control systems: Engine Modification (EM), Oxidizing Catalyst (OC), Secondary Air Injection (SAI) and Three Way Catalyst (TWC) if so equipped.

SAFETY SYMBOLS

This page depicts and describes safety symbols that may appear on the snow blower and engine. Read, understand, and follow all warnings and instructions on the snow blower and engine, along with the operator's manuals before attempting to operate.

Symbol	Description
 <p>OPESymbol.com</p>	<p>WARNING – READ OPERATOR'S MANUAL: Read, understand and follow all the safety rules and instructions in the manual(s) and on the snow blower before attempting to operate this snow blower. Failure to comply with this information may result in personal injury or death. Keep this manual in a safe location for future and regular reference. Using a Smart Phone, scan the QR code symbol to learn more information concerning the warnings contained on this snow blower. You can also go to www.OPESymbol.com for more information.</p>
	<p>WARNING – AVOID AMPUTATION INJURY, DISCHARGE CHUTE: Do not put hands near or into the discharge chute while the engine is running. Contact with the rotating impeller or auger can amputate fingers and hands. Stop engine and remove safety key and wait until all moving parts have stopped rotating. Always use clean-out tool to clear the discharge chute, never use your hand.</p>
	<p>WARNING – AVOID AMPUTATION INJURY, AUGER HOUSING: Do not put hands or feet near or into the auger housing while the engine is running. Contact with the auger can amputate fingers, hands, toes and feet. Stop engine and remove safety key and wait until all moving parts have stopped rotating. Always use clean-out tool to clear the auger housing, never use your hands.</p>
	<p>WARNING— ELECTRICAL SHOCK: Do not plug in and use the engine's electric starter in the rain or wet conditions.</p>
	<p>WARNING— GASOLINE IS FLAMMABLE: Allow the engine to cool at least five minutes before refueling.</p>
	<p>WARNING— CARBON MONOXIDE: Never run an engine indoors or in a poorly ventilated area. Engine exhaust contains carbon monoxide, an odorless and deadly gas.</p>
	<p>WARNING— HOT SURFACE: The muffler and engine become very hot and can cause serious burn injuries. Do not touch. Allow the snow blower to cool for at least five minutes before storing or attempting any service.</p>

⚠ WARNING

Your Responsibility—Restrict the use of the snow blower to persons who read, understand and follow all warnings and instructions on snow blower, along with the operator's manuals. - **SAVE THESE INSTRUCTIONS!**

ASSEMBLY

Overview

- Remove packaging materials from snow blower.
- Rotate Handle into the upright position. Refer to Handle Assembly.
- Install the chute. Refer to Chute Assembly Options.
- Complete snow blower assembly according to model and equipment. Refer to Set-up.
- If necessary make adjustments to ensure proper snow blower operation. Refer to Adjustments.
- Add fuel and oil. Refer to the Engine Operator's Manual shipped with snow blower.

Tools Required

- Adjustable Wrench or Socket Set
- Needle Nose Pliers

Handle Assembly

1. Cut cable ties securing chute control rod or upper handle to the lower handle (if applicable), set aside the chute control rod (if applicable) and remove the wrap around the handles (if applicable).

NOTE: Do not cut the cable tie securing the control cables to the engine, if equipped.

NOTE: On models with Overhead Chute Control (with Flex Shaft), Four-Way Chute Control, and Electric Chute Control cut cable ties securing flex shaft to the lower handle and set the flex shaft aside. Remove rubber bands securing cables to carriage bolts and cut cable tie securing shift rod to lower handle. Refer to Figure 7 to help identify the control styles.

2. Loosen the top two nuts (a) securing the upper and lower handle and remove the two carriage bolts (b) from the upper handle and set aside as shown in Figure 1 or Figure 2 for models with side supports.

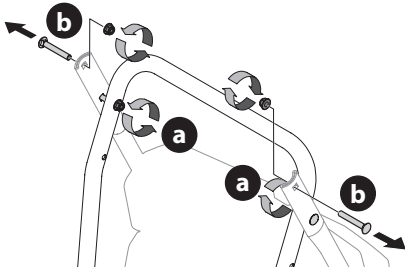


Figure 1

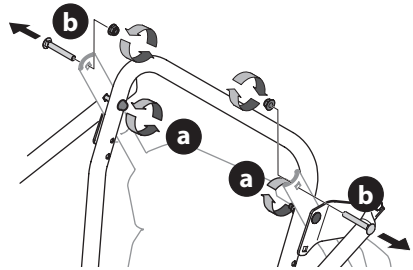


Figure 2

3. Place shift lever in Forward-6 position or fastest forward speed (if equipped).
4. Observe lower rear area of equipment to be sure both cables (if equipped) are aligned and seated properly in roller guides (Figure 3).

NOTE: On select models, chute-pitch control cables will be routed under the engine on the left side and will not use roller guides.

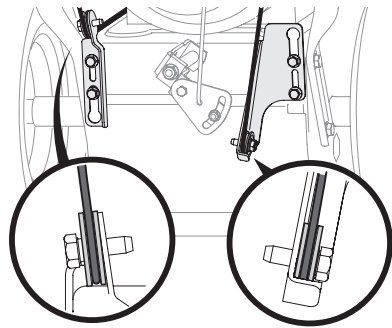


Figure 3

5. Pivot handle upward and align the lower handle (Figure 4). Remove and discard any rubber bands, if present. They are for packaging purposes only.

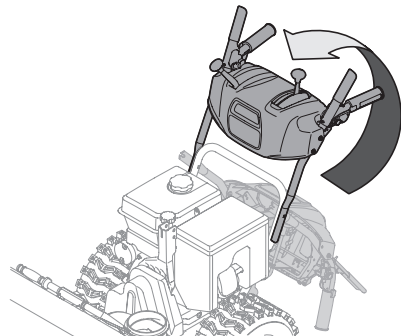


Figure 4

NOTE: On select models with steel rod speed selectors, you may need to lower shift rod to the side slightly to maneuver handle panel over it when pivoting handle upward.

ASSEMBLY

- Attach the two carriage bolts (b) and nuts (a) removed in Step 2.
- Finish securing the handle by tightening the top two nuts (c) loosened in Step 2. See Figure 5 or Figure 6 for models with side supports.

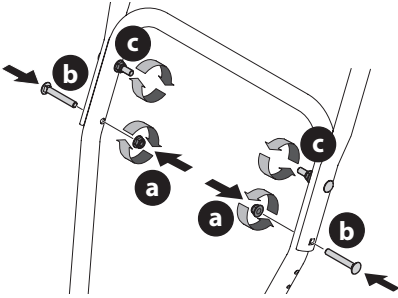


Figure 5

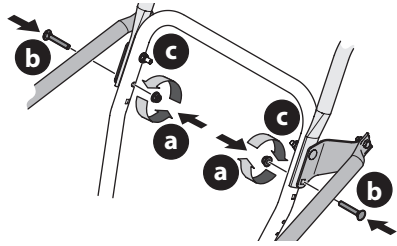
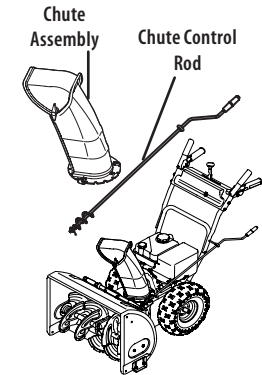


Figure 6

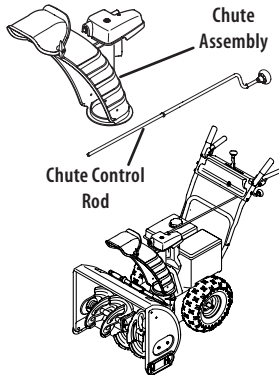
STOP

Refer to Figure 7 below to identify your "Chute Control Style" and continue to the "Assembly" instructions for your specific style on pages 8-13.

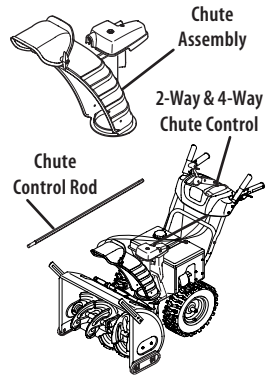
Chute Control Styles



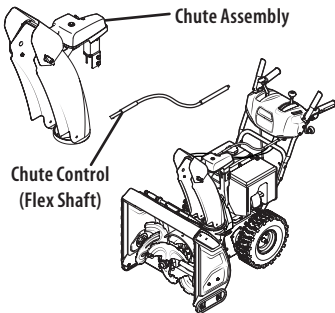
Side Mounted Chute Rotation Control w/ Manual Pitch on page 8



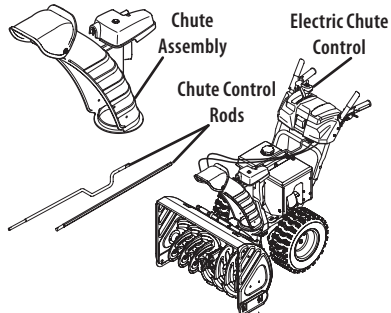
Overhead Chute Rotation Control w/ Manual Pitch on page 8



Overhead Chute Rotation Control w/ 2-Way Pitch or 4-Way Pitch & Rotation Control on page 9



Overhead Chute Control (Flex Shaft) w/ Steel Chute & 2-Way Pitch Control on page 11



Overhead Chute Rotation Control w/ 4-Way Electric Pitch & Rotation Control on page 12

Figure 7

ASSEMBLY

Side Mounted Chute Rotation Control w/ Manual Pitch

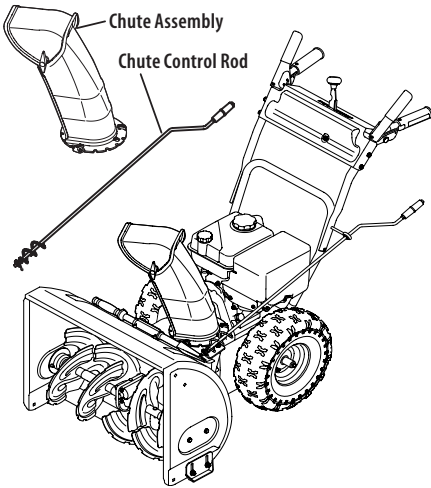


Figure 8

1. Position chute assembly over base (Figure 9).

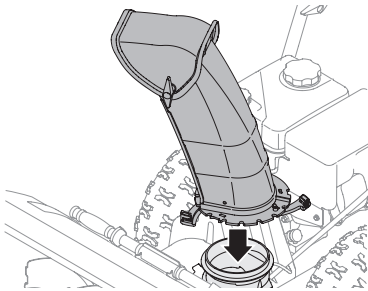


Figure 9

2. Close flange keepers to secure chute assembly to chute base. Flange keepers will click into place when properly secured (Figure 10).

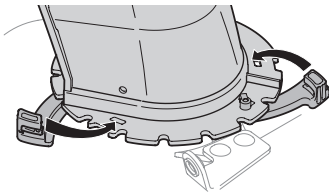


Figure 10

NOTE: Ensure the lower chute is secured to the flange on the chute base. The lower edge of the chute keeper should be positioned below the flange on the chute base after being clicked into place. If flange keepers will not easily click into place, use palm of your hand to apply swift, firm pressure to the back of the keepers.

3. Remove plastic cap (if present), flat washer (a) and hairpin clip (b) from end of chute control rod (Figure 11).

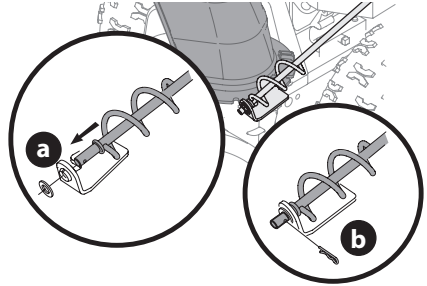


Figure 11

4. Insert end of chute control rod into lower bracket and secure with flat washer (a), hairpin clip (b) and plastic cap (if present) removed in Step 1. If necessary, lower bracket can be adjusted. Refer to Side Chute Control on page 16.

STOP

Continue to Set-Up (page 14).

Overhead Chute Rotation Control w/ Manual Pitch

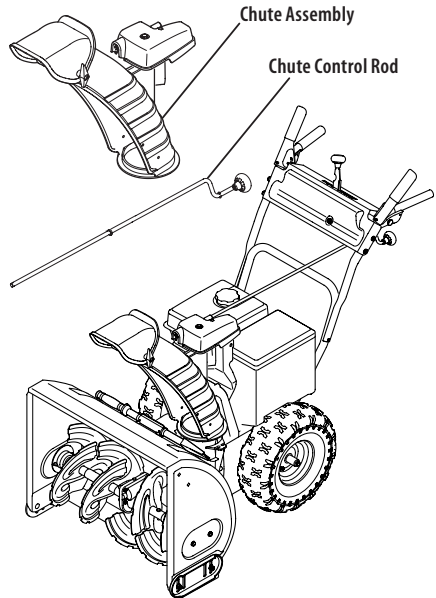


Figure 12

1. Remove wing nut (a) and hex screw (b) from chute control head and clevis pin (c) and cotter pin (d) from chute support bracket. Position chute assembly (forward-facing) over chute base and chute support bracket (Figure 13).

ASSEMBLY

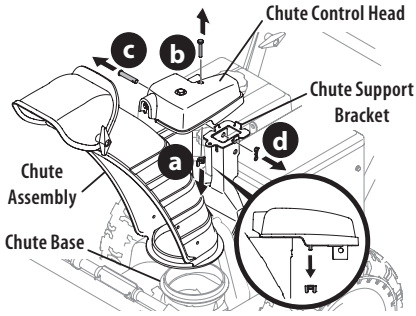


Figure 13

- Secure chute control head to chute support bracket with clevis pin (c) and cotter pin (d) removed in Step 1 (Figure 14).

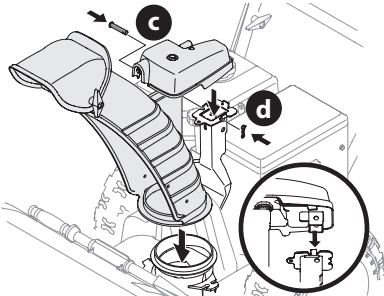


Figure 14

- Finish securing chute control head to chute support bracket with wing nut (a) and hex screw (b) removed in Step 1 (Figure 15).

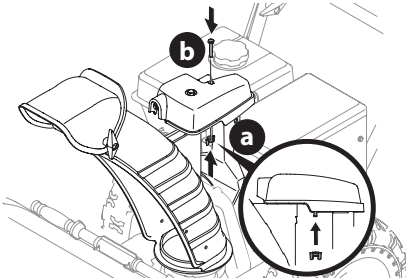


Figure 15

- Insert chute control rod into the support bracket on rear of the dash panel (Figure 16).

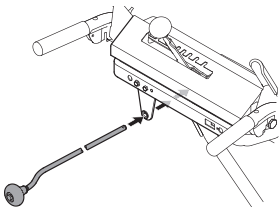


Figure 16

- Remove hairpin clip (a) from rear of chute control head (Figure 17).

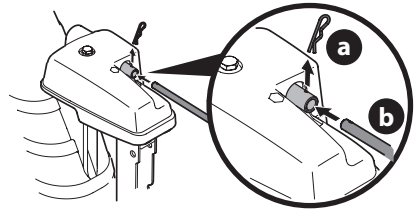


Figure 17

- Insert chute control rod (b) into rear of chute control head (Figure 17) and secure with hairpin clip (a) removed in Step 5.

STOP

Continue to Set-Up (page 14).

Overhead Chute Rotation Control w/ 2-Way Pitch or 4-Way Pitch & Rotation Control

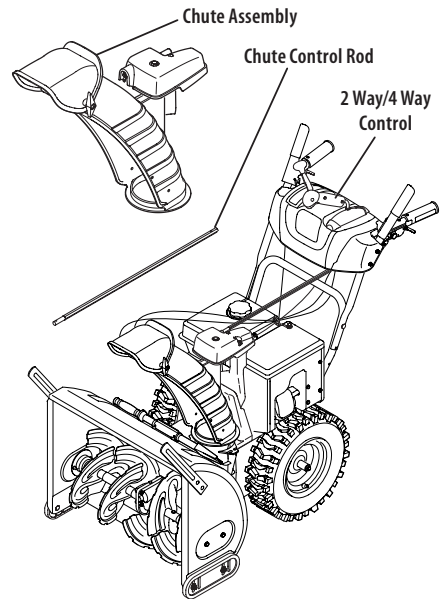


Figure 18

- Remove hairpin clip (a), wing nut (b) and hex screw (c) from chute control head and clevis pin (d) and bow-tie cotter pin (e) from chute support bracket (Figure 19).

ASSEMBLY

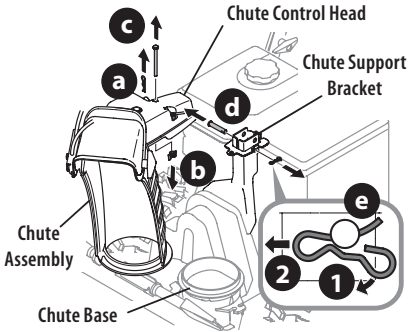


Figure 19

NOTE: For smoothest operation, cables should all be to the left of the chute control rod.

2. Insert chute control rod into chute control head. Push rod as far into chute control head as possible, keeping holes in rod pointing upward (Figure 20).

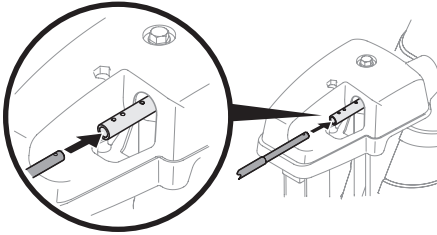


Figure 20

3. Place chute assembly onto chute base and ensure chute control rod is positioned above lower handle. Install hex screw (c) removed in Step 1, but do not secure with wing nut at this time (Figure 21).

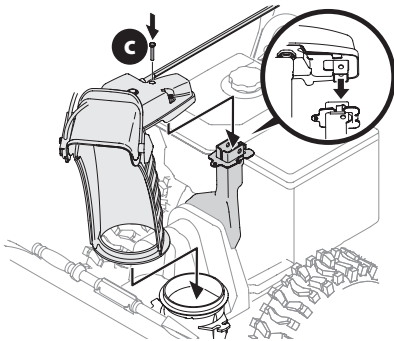


Figure 21

4. Squeeze trigger on 2-way/4-way chute control and rotate chute by hand to face forward. The holes in chute control collar will be facing up (Figure 22).

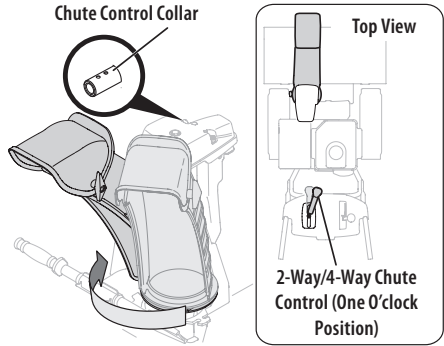


Figure 22

IMPORTANT: Chute will not rotate without squeezing trigger on 2-way/4-way chute control.

5. Rotate 2-way/4-way chute control to one o'clock position (Figure 22) so that indicator arrow on pinion gear below control handle faces upward (Figure 23).

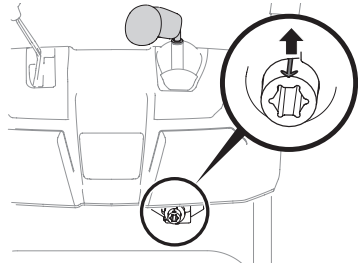


Figure 23

6. Insert chute control rod into pinion gear under handle panel. Make sure to line up hole in rod with arrow on pinion gear (Figure 24).

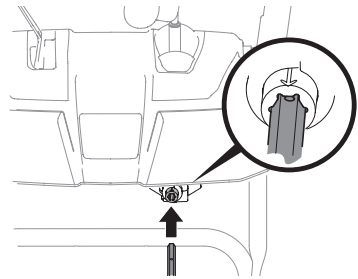


Figure 24

NOTE: Chute control rod will fit snug into pinion gear. Support rear of handle panel with one hand while inserting rod with your other hand to ensure rod is inserted **all the way** into pinion gear.

NOTE: The hole in the chute control rod is a reference for aligning rod with indicator arrow on pinion gear, and will be visible after rod has been fully inserted.

ASSEMBLY

- Push chute control rod toward control panel until hole in rod lines up with hole in chute control input collar closest to chute control head and insert hairpin clip (a) removed in Step 1 (Figure 25).

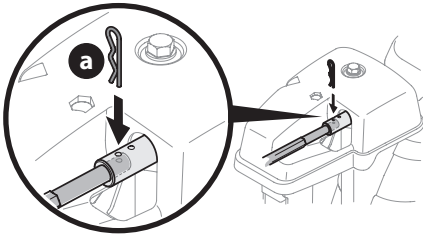


Figure 25

NOTE: Second hole is used to achieve further engagement of chute control rod into pinion gear, if required. Refer to Product Care section for Chute Control Rod adjustments.

- Finish securing chute control head to chute support bracket with wing nut (b), clevis pin (d), and bow-tie cotter pin (e) removed in Step 1.

● STOP

Continue to Set-Up (page 14).

Overhead Chute Control (Flex Shaft) w/ Steel Chute & 2-Way Pitch Control

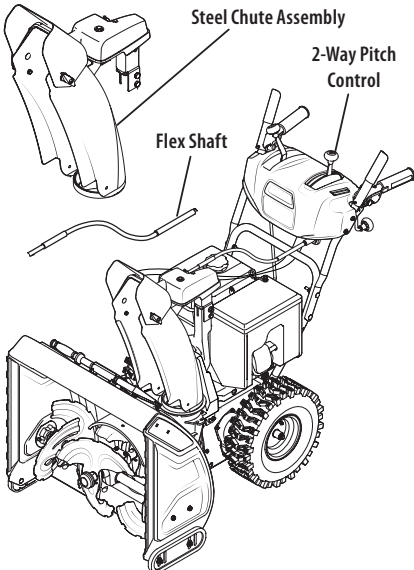


Figure 26

- Remove lock nuts (a) and hex screws (b) from chute support bracket (this will require two wrenches) (Figure 27).

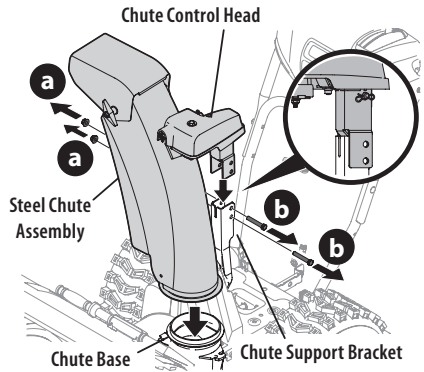


Figure 27

- Place steel chute assembly onto chute base and chute control head onto chute support bracket (Figure 27).
- Secure chute control head to chute support bracket with lock nuts (a) and hex screws (b) removed in Step 1 (Figure 28).

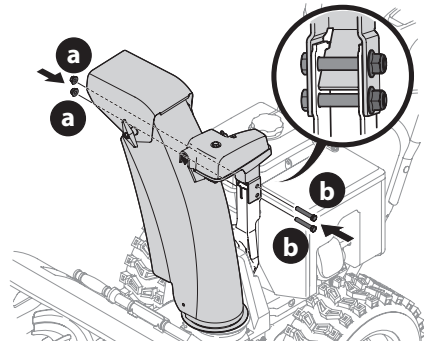


Figure 28

NOTE: For smoothest operation, cables should all be to the left of the chute control rod.

- Remove hairpin clip (a) from rear of chute control head (Figure 29).

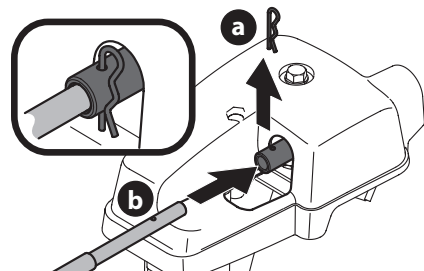


Figure 29

- Insert flex shaft (b) into rear of chute control head and secure with hairpin clip (a) removed in Step 4 (Figure 29).

ASSEMBLY

6. Perform one of the following to connect the flex shaft to the chute control rod coupling:

- Models with Overhead Rotational - Insert hex end of flex shaft into chute control rod coupling under handle panel (Figure 30).

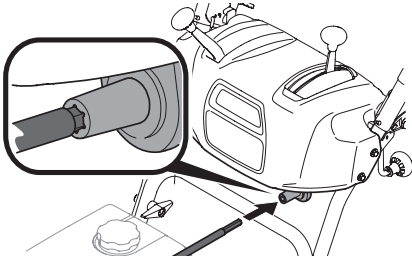


Figure 30

- Models with Electric Chute Control - Insert other end of flex shaft into chute control rod coupling under handle panel. Make sure to line up flat end of rod and flat end of coupler. You may need to rotate rod around until these two surfaces line up (Figure 31 inset).

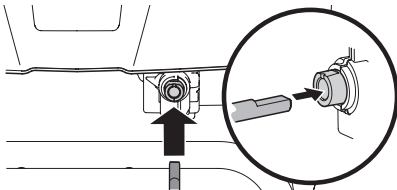


Figure 31

7. Ensure speed selector is in fastest forward speed.
8. Remove cotter pin (a) and washer (b) from ferrule on end of shift rod (Figure 32 inset).

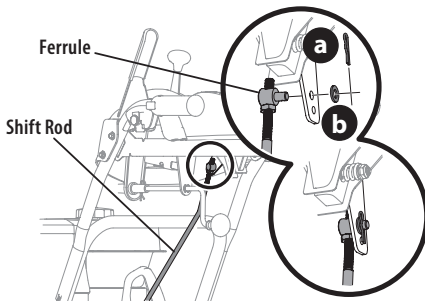


Figure 32

9. Make sure the shift lever on the back of the transmission is rotated downward to the full extent of its rotation see Figure 33, Detail "A" for models without hydro transmission or Detail "B" for models with hydro transmission.

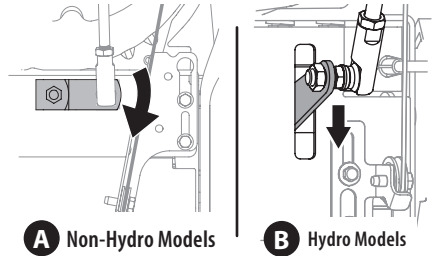


Figure 33

10. Insert ferrule into top hole of shift lever and secure with cotter pin (a) and washer (b) removed in Step 8 (Figure 32). Ferrule may need to be adjusted up or down.

● STOP

Continue to Set-Up (page 14).

Overhead Chute Rotation Control w/ 4-Way Electric Pitch & Rotation Control

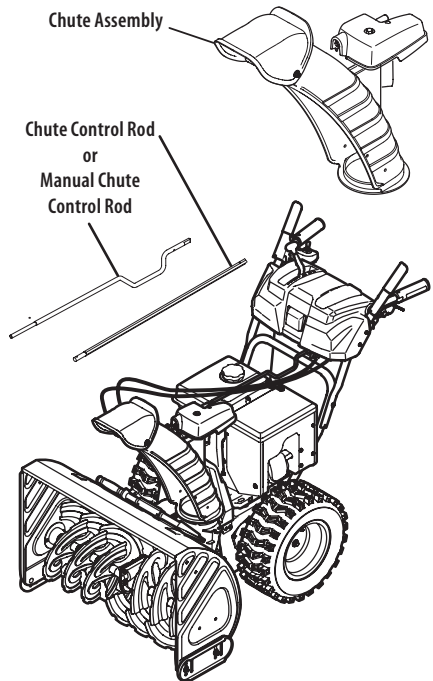


Figure 34

1. Remove cotter pin (a), wing nut (b) and hex screw (c) from chute control head. Remove clevis pin (d) and bow-tie cotter pin (e) from chute support bracket (Figure 35).

ASSEMBLY

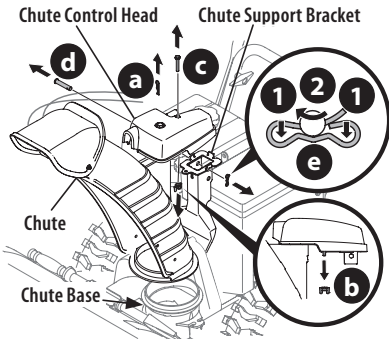


Figure 35

NOTE: For smoothest operation, cables should all be to the left of the chute control rod.

2. Insert round end of chute control rod into chute control head. Push rod as far into chute control head as possible, keeping holes in rod pointing upward (Figure 36).

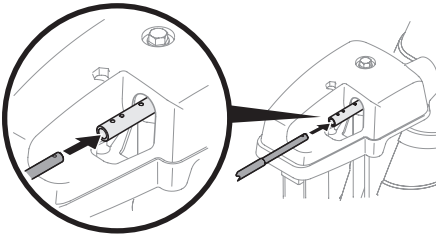


Figure 36

3. Place chute onto chute base and ensure chute control rod is positioned above lower handle. Secure chute control head to chute support bracket with clevis pin (d) and bow-tie cotter pin (e) removed in Step 1 (Figure 37).

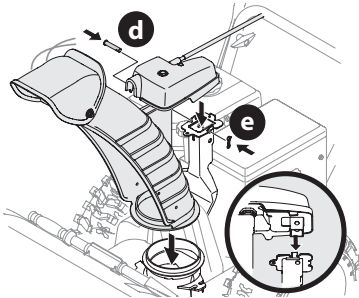


Figure 37

4. Finish securing chute control head by installing hex screw (c) and wing nut (b) removed in Step 1 (Figure 38).

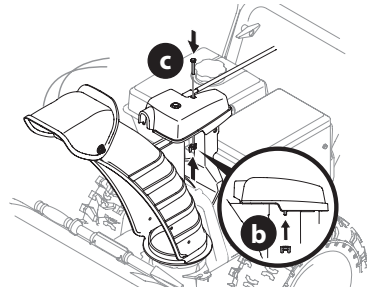


Figure 38

5. Insert other end of chute control rod into coupler below handle panel. Make sure to line up flat end of rod and flat end of coupler. You may need to rotate rod around until these two surfaces line up (Figure 39 inset).

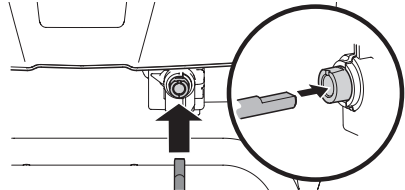


Figure 39

6. Push chute control rod toward the control panel until hole in rod lines up with middle hole in chute control coupler and insert cotter pin (a) removed in Step 1 (Figure 40).

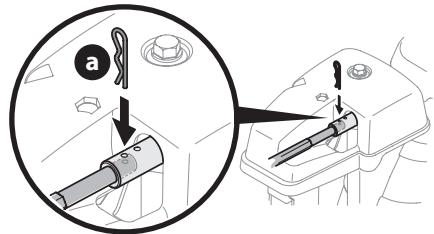


Figure 40

NOTE: There is a reference hole provided at rear end of control rod to help know when holes are vertical.

NOTE: Hole furthest from chute control head is used to achieve further engagement of chute control rod into coupler, if required. Refer to Adjustments, Overhead Chute Control on page 16.

NOTE: For models equipped with manual chute control rods, the hole closest to chute control head is used for manual movement of chute assembly, if required. Refer to Operation, Manual Chute Rotation Control & Electric Chute Control on page 22.

● STOP

Continue to Set-Up (page 14).

Set-Up

CHUTE CONTROL CABLE ROUTING (IF EQUIPPED)

For models equipped with 2-way or 4-way chute controls, electric chute control and/or chute-pitch controls, ensure control cables are routed properly.

Chute control cables are routed through a single wire guide (a) on top of the engine and/or through two wire guides (b) located on the front and left side of the engine (Figure 41).

NOTE: On models equipped with a cable tie securing the cables to the rear of the gas tank, pull the cables toward the chute and pull the cable tie snug to secure the cables in place.

NOTE: For smoothest operation, cables should all be to the left of the chute control rod (c).

NOTE: The number of cables routed through the wire guides will vary depending on model.

1. Locate cable guide(s) and perform the following:

- Top Mounted Wire Guide (a) - Check that all cables are properly routed through cable guide on top of engine (Figure 41).
- Front and Side Mounted Wire Guides (b) - Check that all cables are properly routed through the wire guide below the left side of the engine and the wire guide below the chute control head (Figure 41).

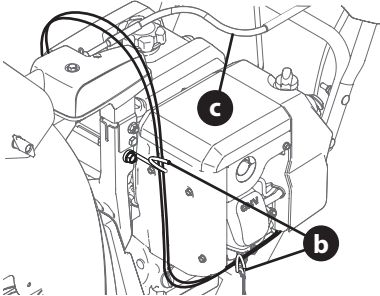
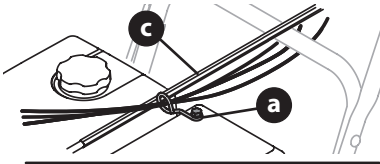


Figure 41

SHEAR PINS STORAGE (IF EQUIPPED)

On select models, holes are provided in the rear of the handle panel for shear pin (a) and bow-tie cotter pin (b) storage as shown in Figure 42. If not provided, make sure to store them in a safe place until needed.

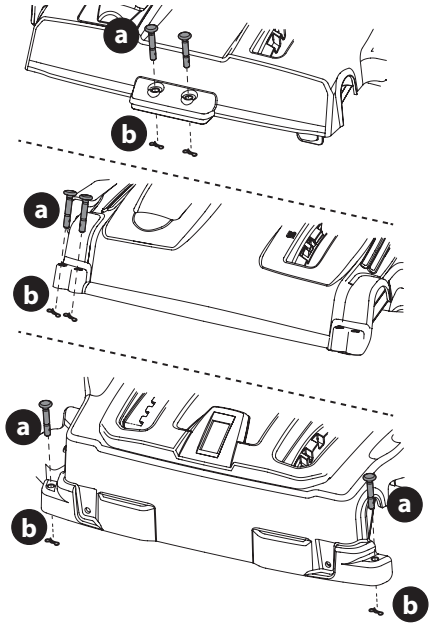


Figure 42

DRIFT CUTTERS (IF EQUIPPED)

The drift cutters are mounted inverted at the factory for shipping purposes.

Non-Adjustable

1. Remove two carriage bolts (a) and lock nuts (b) that secure each drift cutter, and remove them from the sides of auger housing (Figure 43).

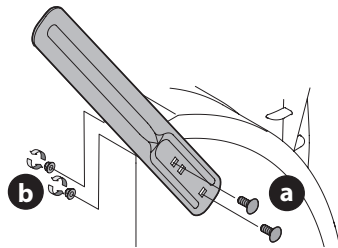


Figure 43

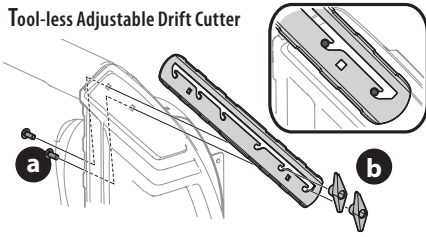
2. Turn the drift cutters around and position them as shown in Figure 43 to the outside of the auger housing.
3. Attach drift cutters with carriage bolts (a) and lock nuts (b) removed in Step 1.

Tool-less

1. Remove two carriage bolts (a) and wing nuts (b) that secure each drift cutter, and remove them from the sides of auger housing (Figure 44).

ASSEMBLY

Tool-less Adjustable Drift Cutter



Tool-less Non-Adjustable Drift Cutter

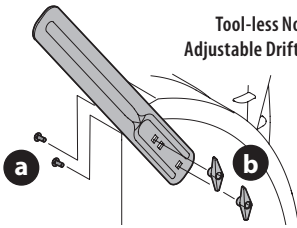


Figure 44

- Turn the drift cutters around and position them as shown in Figure 44 to the outside of the auger housing.
- Attach drift cutters with carriage bolts (a) and wing nuts (b) removed in Step 1.

SKID SHOES (IF APPLICABLE)

Select models require the installation to the provided skid shoes.

- Using the two carriage bolts (a) and hex flange nuts (b) and flat washers (if equipped) (c), secure the skid shoes to the auger housing (d). Hand tighten hex flange nuts (Figure 45).
- Adjust the skid shoes to provide a minimum of 1/8th inch clearance between the shave plate (e) and the ground. Securely tighten hex flange nuts.
- If necessary refer to Skid Shoes in the Adjustments section on page 15.

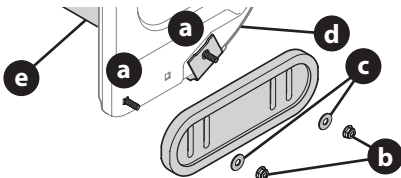


Figure 45

CHUTE CLEAN-OUT TOOL

The chute clean-out tool is fastened to the top of the auger housing with a mounting clip (Figure 46).

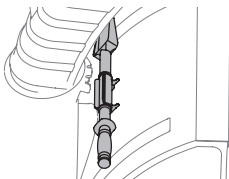


Figure 46

TIRE PRESSURE (IF APPLICABLE)

NOTE: Not applicable to models equipped with airless tires.

⚠ WARNING

Under any circumstance do not exceed manufacturer's recommended psi. Equal tire pressure should be maintained at all times. Excessive pressure when seating beads may cause tire/rim assembly to burst with force sufficient to cause serious injury. Refer to sidewall of tire for recommended pressure.

The tires are over-inflated for shipping purposes. Check tire pressure before operating. Refer to tire side wall for tire manufacturer's recommended psi and adjust pressure, if necessary.

NOTE: Equal tire pressure is to be maintained at all times for performance purposes.

Adjustments

SKID SHOES

Snow blower skid shoes are adjusted at a factory setting roughly 1/8" below the shave plate. Adjust them upward or downward, if desired, prior to operating.

⚠ WARNING

Use extreme caution when operating on or near gravel and adjust skid shoes to clear gravel or crushed rock surfaces to avoid picking up and throwing objects which could cause serious injury or property damage.

- For close snow removal on a smooth surface, raise skid shoes higher on auger housing.
- Use a lower position when area to be cleared is uneven, such as a gravel driveway.

IMPORTANT: If you choose to operate on a gravel surface, keep skid shoes in position for maximum clearance between ground and shave plate.

- Loosen four hex nuts (a) (two on each side) and carriage bolts (b). Move skid shoes to desired position (Figure 47).

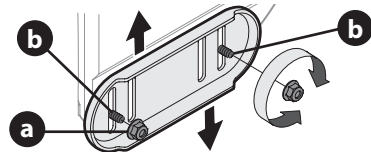


Figure 47

NOTE: The skid shoes on your snow blower may look slightly different (and have different hardware) than ones shown in Figure 47.

- Make certain entire bottom surface of skid shoe is against ground to avoid uneven wear on skid shoes.
- Securely tighten hex nuts (a) to carriage bolts (b).

ADJUSTMENTS

ADJUSTABLE DRIFT CUTTERS (IF EQUIPPED)

The drift cutters are mounted inverted at the factory for shipping purposes.

1. Loosen the two carriage bolts (a) and wing nuts (b) that secure each drift cutter to the sides of auger housing (Figure 48).

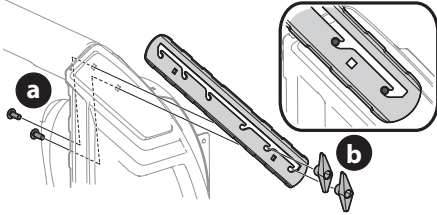


Figure 48

2. Slide the drift cutters to desired height.
3. Securely tighten the two carriage bolts and wing nuts that secure each drift cutter to the sides of auger housing.

MANUAL CHUTE PITCH ADJUSTMENT (IF EQUIPPED)

NOTE: For models without manual chute pitch, see Controls and Operation on page 21-22.

On models with manual chute pitch, the distance snow is thrown can be adjusted by changing angle of chute assembly. To do so:

1. Loosen wing nut found on left side of the upper chute assembly (Figure 49).

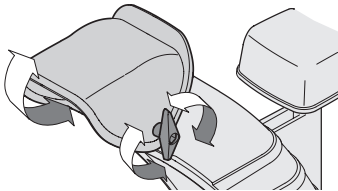


Figure 49

2. Pivot chute upward or downward before re-tightening wing nut.

SIDE CHUTE CONTROL (IF EQUIPPED)

If spiral at bottom of the chute control rod is not fully engaging with chute assembly, the bracket needs to be adjusted. To do so:

1. Loosen two nuts (a) which secure the bracket and reposition it slightly (Figure 50).
2. Re-tighten nuts.

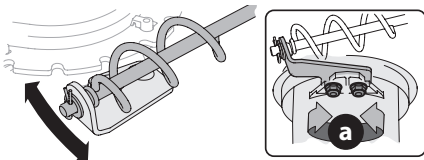


Figure 50

OVERHEAD CHUTE CONTROL (IF EQUIPPED)

If chute fails to remain stationary during operation, preload of chute can be adjusted by tightening hex nut found on front of chute control head.

1. To increase preload, tighten hex nut (a) clockwise in ¼ turn intervals. The chute control rod (b) will need to be held stationary when tightening the nut (Figure 51).

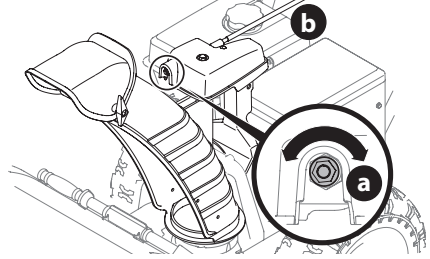


Figure 51

2. If chute control rod is difficult to turn, decrease preload by loosening hex nut counter-clockwise in ¼ turn intervals.

2-WAY OR 4-WAY CHUTE CONTROL (IF EQUIPPED)

To adjust chute control rod for increased engagement into the handle panel control, proceed as follows:

1. Remove hairpin clip (a) from hole closest to chute assembly on chute control head.
2. Pull out chute control rod until hole in it lines up with second hole in chute control head (Figure 52).

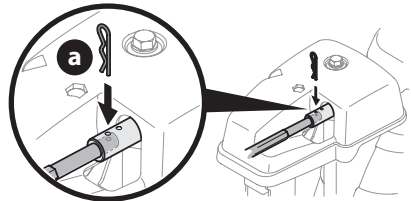


Figure 52

3. Reinsert hairpin clip (a) through this hole and chute control rod.

ADJUSTABLE SHAVE PLATE (IF EQUIPPED)

1. Allow engine to run until it is out of fuel. Do not attempt to drain fuel from the engine. Remove safety key or disconnect spark plug wire.
2. Carefully pivot snow blower up and forward so that it rests on front of auger housing.
3. Loosen rear skid shoe nuts (a) on both sides of auger housing and remove carriage bolts (b) and hex nuts (c) which attach shave plate (d) to the bottom of the auger housing (Figure 53).

ADJUSTMENTS

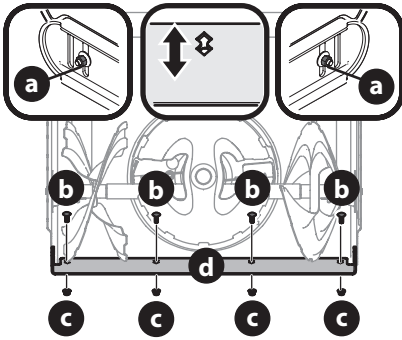


Figure 53

NOTE: 3-Stage model shown.

- Adjust the shave plate to one of 2 mounting positions. Reinstall and securely tighten all carriage bolts, nuts and skid shoe hardware from Step 3 (Figure 53).
- Readjust the skid shoes. See Skid Shoes on page 15.

AUGER CONTROL

⚠ WARNING

Prior to operating, carefully read and follow all instructions below. Perform all adjustments to verify your snow blower is operating safely and properly.

Refer to Controls & Operation section on page 20 for the location of auger control lever and check adjustment as follows:

- When auger control lever is released and in disengaged "UP" position, the cable should have very little slack. It should NOT be tight.
- In a well-ventilated area, start the engine. Refer to your Engine Operator's Manual.
- While standing in the operator's position (behind the handles), depress the auger control lever to engage auger.
- Allow auger to remain engaged for approximately ten (10) seconds before releasing auger control lever. Repeat this several times.
- With auger control lever in disengaged "UP" position, walk to front of machine.
- Confirm that auger has completely stopped rotating and shows NO signs of motion. If auger shows ANY signs of rotating, immediately shut OFF engine, remove safety key or disconnect spark plug wire. Wait for ALL moving parts to stop before readjusting auger control lever.
- To readjust the auger control cable, loosen upper hex screw (a) (Figure 54).

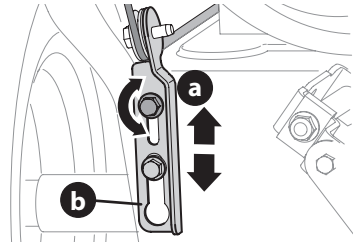


Figure 54

- Position auger control bracket (b) upward to provide more slack in cable or downward to increase tension (Figure 54).
- Re-tighten upper/rear hex screw (a).
- Repeat the steps 1 - 6 to verify proper adjustment has been achieved.

SHIFT CABLE (IF EQUIPPED)

If full range of speeds (forward and reverse) cannot be achieved, adjust shift cable as follows:

- Place shift lever in fastest forward speed position.
- Loosen hex nut (a) on shift cable index bracket (b) (Figure 55).
- Pivot bracket downward to take up slack in cable.
- Re-tighten hex nut.
- If further adjustment is necessary move the shift cable to one of the alternate holes in the shift cable index bracket.

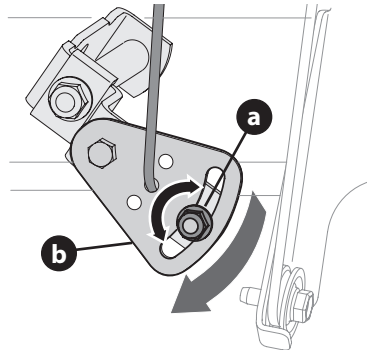


Figure 55

SHIFT ROD (IF EQUIPPED)

If full range of speeds (forward and reverse) cannot be achieved, adjust shift rod as follows:

- Place shift lever in fastest forward speed position.
- Remove cotter pin (a) and washer (b) from adjustment ferrule on shift rod and pull it out from shift lever (Figure 56).

ADJUSTMENTS

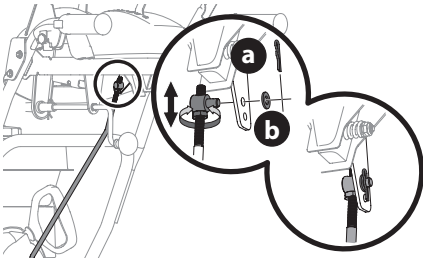


Figure 56

3. Make sure the shift lever on the back of the transmission is rotated downward to the full extent of its rotation. See Figure 57, Detail "A" for models without hydro transmission or Detail "B" for models with hydro transmission.

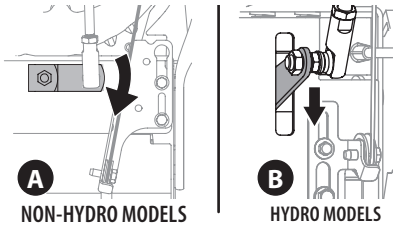


Figure 57

4. Rotate ferrule up or down on shift rod as necessary until it lines up with upper hole in shift lever (Figure 57 inset).
5. Insert the ferrule into the upper hole and secure with the washer and cotter pin.

DRIVE CONTROL (NON-HYDRO MODELS) (IF EQUIPPED)

When drive control lever is released and in disengaged "UP" position, cable should have very little slack. It should NOT be tight.

NOTE: If excessive slack is present in drive cable or if drive is disengaging intermittently during operation, the cable may be in need of adjustment.

Check adjustment of drive control lever as follows:

1. With drive control lever released, push snow blower gently forward. It should roll freely.
2. Engage drive control lever and gently attempt to push the snow blower forward. The wheels should not rotate or roll freely.
3. If equipped with a shift lever, with drive control lever released, move shift lever back and forth between the R2 position and the F6 position several times. There should be no resistance in the shift lever.

If any of the above tests fail, the drive cable is in need of adjustment. Proceed as follows:

1. Shut OFF engine, remove safety key or disconnect spark plug wire. Refer to the Engine Operator's Manual.

2. Loosen lower hex screw (a) on drive cable bracket (b) (Figure 58).

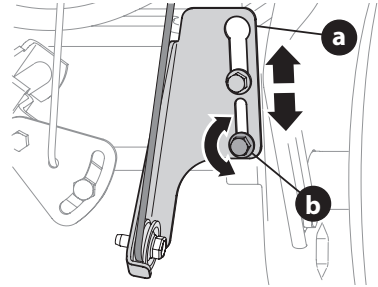


Figure 58

1. Position drive cable bracket upward to provide more slack (or downward to increase cable tension).
2. Re-tighten lower hex screw.
3. Check adjustment of drive control lever as described above to verify proper adjustment has been achieved.

DRIVE CONTROL (HYDRO MODELS) (IF EQUIPPED)

When drive control lever is released and in disengaged "UP" position, cable should have very little slack. It should NOT be tight.

NOTE: If excessive slack is present in drive cable or if drive is disengaging intermittently during operation, the cable may be in need of adjustment.

1. Shut OFF engine, remove safety key or disconnect spark plug wire. Refer to the Engine Operator's Manual.
2. Loosen upper hex screw (a) on drive cable bracket (b) (Figure 59).

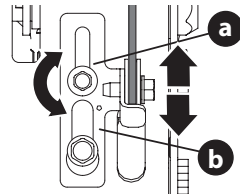


Figure 59

3. Position bracket upward to provide more slack (or downward to increase cable tension).
4. Re-tighten upper hex screw.
5. Check for excessive slack in drive control cable. If necessary repeat Steps 2-4 to re-adjust the drive control.

Adding Fuel & Oil

Refer to the Engine Operator's Manual for information on adding fuel and oil.

OPERATION

Model Features

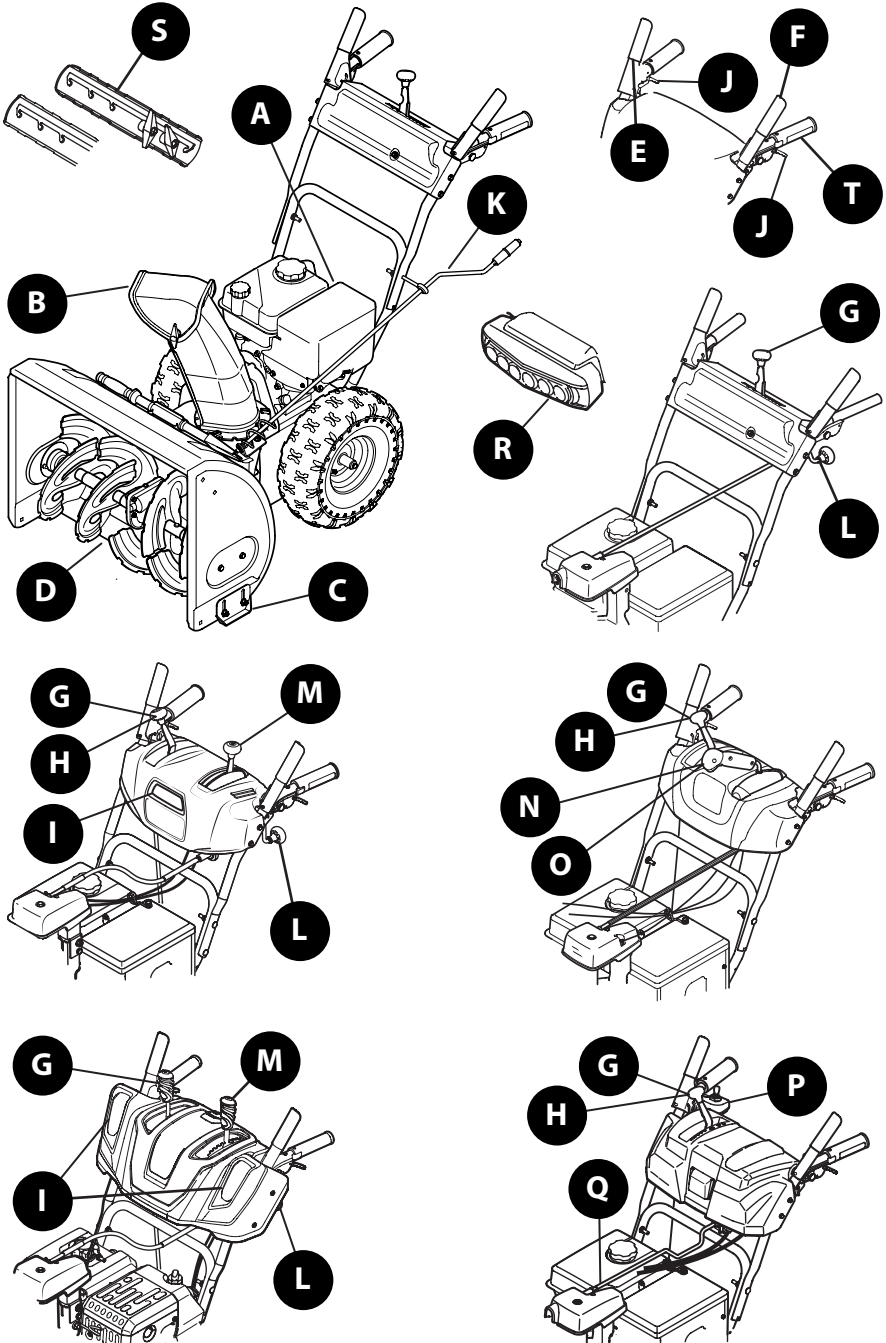


Figure 60

OPERATION

FEATURES

Snow blower controls and features are described below and may be illustrated in Figure 60.

NOTE: This Operator's Manual covers several models. Snow blower features may vary by model. Not all features in this manual are applicable to all snow blower models and the snow blower depicted may differ from yours.

NOTE: All references to the left or right side of the snow blower are from the operator's position. Any exceptions will be noted.

A. ENGINE CONTROLS

Refer to your Engine Operator's Manual for location and description of engine controls pertaining to your engine.

B. CHUTE ASSEMBLY

Snow gathered into the auger and impeller housings is discharged out the chute assembly.

C. SKID SHOES

Skid shoes provide the proper clearance of the shave plate for the surface conditions and the snow to be cleared. Adjust upward for hard-packed snow. Adjust downward when operating on gravel or crushed rock surfaces. See Skid Shoe Adjustment section on page 15.

D. AUGERS

When engaged, the augers rotate and gather snow into the auger and impeller housings.

E. DRIVE CONTROL LEVER/AUGER CLUTCH LOCK* (IF EQUIPPED)

The drive control lever is located on the right handle. Squeeze the control lever down against the handle to engage the wheel drive. Release to stop (Figure 61).



Figure 61

NOTE: Always release drive control lever before changing speeds on all models except the hydro transmission models. Failure to do so will result in increased wear on your machine's drive system.

*On select models, the drive control lever also locks the auger control lever so that you can operate the chute control without interrupting the snow blowing process. When both the auger and drive levers are engaged at any time, the operator can release the auger control lever (on the left handle) and the augers will remain engaged. Release both control levers to stop augers and wheel drive.

F. AUGER CONTROL LEVER (IF EQUIPPED)

The auger control lever down is located on the left handle. Squeeze the control lever against the handle to engage the augers and start snow blowing action. Release to stop (Figure 62).



Figure 62

IMPORTANT: Refer to the Auger Control information in the Assembly & Set-Up section prior to operating your snow blower. Read and follow all instructions carefully and perform all adjustments to verify your snow blower is operating safely and properly.

G. SHIFT LEVER (6-SPEED TRANSMISSION) (IF EQUIPPED)

The shift lever is located on the handle panel and is used to determine ground speed and direction of travel.

- **Forward**
There are six forward (F) speeds. Position one (1) is the slowest and position six (6) is the fastest.
- **Reverse**
There are two reverse (R) speeds. Position one (1) is the slowest and position two (2) is the fastest.

H. SHIFT LEVER (HYDRO TRANSMISSION) (IF EQUIPPED)

The shift lever is located on the handle panel and is used to determine ground speed and direction of travel. The further forward the lever is moved the faster it will travel. Moving past the detent position to the reverse direction will move the snow blower in reverse.



I. HEADLIGHT (SINGLE OR DUAL) (IF EQUIPPED)

The headlight(s) located on the front of the handle panel is/are automatically turned ON when the engine is started.

OPERATION

J. STEERING TRIGGER CONTROLS (IF EQUIPPED)

The left and right wheel steering trigger controls are located on the underside of the handles (Figure 63).

IMPORTANT: Models with Hydro Transmission - When moving the snow blower without starting the engine, squeeze both right and left triggers to disengage the drive.

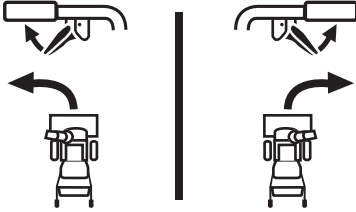


Figure 63

- Squeeze the right trigger control to turn right.
- Squeeze the left trigger control to turn left.

⚠ CAUTION

Operate the snow blower in open areas until you are familiar with these controls.

K. SIDE MOUNTED CHUTE ROTATION CONTROL (IF EQUIPPED)

The side mounted chute rotation control is located on the left side of the snow blower. To change direction in which snow is thrown, rotate the control (Figure 64).

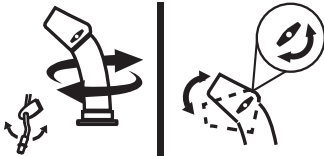


Figure 64

L. OVERHEAD CHUTE ROTATION CONTROL (IF EQUIPPED)

The overhead chute rotation control is located at the rear of the snow blower under the handle panel.

- To change the direction in which snow is thrown, rotate the control (Figure 65).

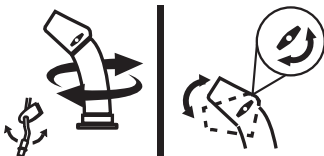


Figure 65

M. CHUTE-PITCH CONTROL (IF EQUIPPED)

The two-way chute-pitch control is located on the left side of the dash panel and is used to raise and lower the upper chute, which will change the distance the snow is thrown.

To raise or lower the upper chute, move the lever forward or backward (Figure 66).

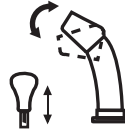
Two-Way Chute-Pitch Control

- **To Reduce the Distance Snow is Thrown:** Move the lever forward to tilt the upper chute down (Figure 66).
- **To Increase the Distance Snow is Thrown:** Move the lever rearward to tilt the upper chute up (Figure 66).

Two-Way Indexed Chute-Pitch Control

- **To Reduce the Distance Snow is Thrown:** Disengage lever from the current chute setting. Move the lever forward to tilt the upper chute down to the desired setting (a) (Figure 66).
- **To Increase the Distance Snow is Thrown:** Disengage lever from the current chute setting. Move the lever rearward to tilt the upper chute down to the desired setting (b) (Figure 66).

TWO-WAY CHUTE-PITCH CONTROL



TWO-WAY INDEXED CHUTE-PITCH CONTROL

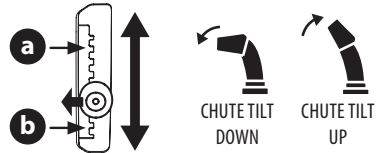


Figure 66

N. 2-WAY CHUTE ROTATION CONTROL (IF EQUIPPED)

The 2-Way chute rotation control is located on the left side of the dash panel.

- To change direction in which snow is thrown, squeeze button on control and rotate to the right or to the left (Figure 67).

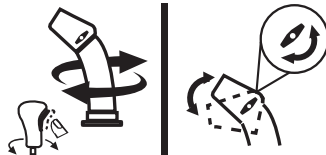


Figure 67

OPERATION

O. 4-WAY CHUTE ROTATION CONTROL (IF EQUIPPED)

The 4-Way chute rotation control is located on the left side of the dash panel.

- To change the direction in which snow is thrown, squeeze the button on the control and rotate to the right or to the left (Figure 68).
- To change the distance which snow is thrown, move the control forward or backward.

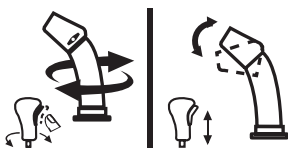


Figure 68

P. ELECTRIC CHUTE PITCH & ROTATION CONTROL (JOYSTICK) (IF EQUIPPED)

The electric chute control is located on the right side of the dash panel (Figure 69).

- To change the direction in which snow is thrown, move the joystick to the right or to the left.
- To change the distance which snow is thrown, move the joystick forward or backward.

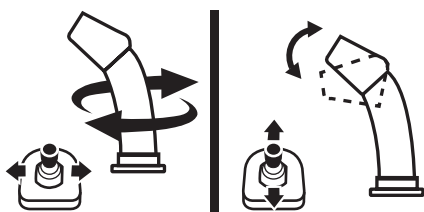


Figure 69

Q. MANUAL CHUTE ROTATION CONTROL & ELECTRIC CHUTE CONTROL (JOYSTICK) (IF EQUIPPED)

Follow this procedure to manually change the chute direction on models equipped with an electric chute control (joystick) and manual chute rotation control rod only (Figure 60).

1. Remove cotter pin (a) from either of the holes furthest from the chute assembly on chute control head (Figure 70).

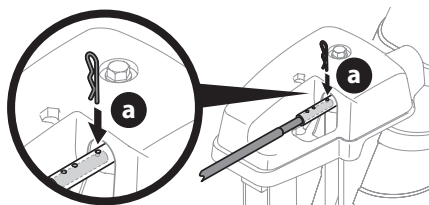


Figure 70

2. Push in chute control rod until the hole in it lines up with the third hole in chute control head (Figure 70).
3. Reinsert cotter pin (a) through this hole and chute control rod (Figure 70).
4. Grasp indented portion of chute control rod and manually rotate chute assembly to the right or to the left (Figure 71).

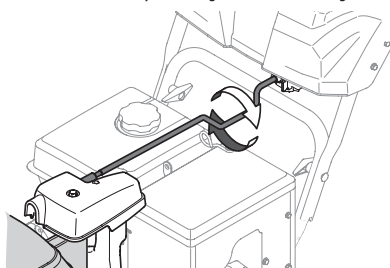


Figure 71

R. LED LIGHT BAR (IF EQUIPPED)

The LED headlight is located on top of the auger housing and is automatically turned ON when the engine is running.

S. DRIFT CUTTERS (IF EQUIPPED)

The drift cutters are designed for use in deep snow. Their use is optional for normal snow conditions. Maneuver snow blower so that the cutters penetrate a high standing snow drift to assist snow falling into the augers.

OPERATION

T. HEATED GRIPS (IF EQUIPPED)

⚠ CAUTION

It is recommended that you wear gloves when using the heated grip. If the heated grips become too hot, turn them OFF.

To activate the heated grips, move switch found on top (a) or on the rear (b) of dash panel into the ON position (Figure 72). To turn OFF heated grips, move switch to the OFF position.

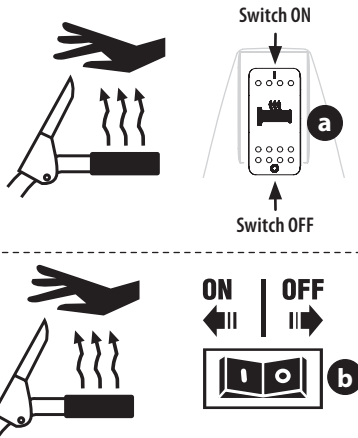
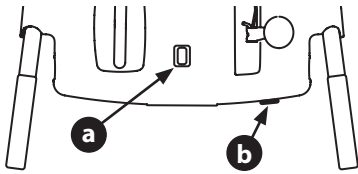


Figure 72

Starting and Stopping the Engine

⚠ WARNING

Always keep hands and feet clear of moving parts. Do not use a pressurized starting fluid. Vapors are flammable.

Refer to the Engine Operator's Manual for instructions on starting and stopping the engine (Figure 73).



Figure 73

TO ENGAGE DRIVE

1. With the throttle control in the Fast (rabbit) position, move the shift lever into one of the six forward (F) positions or two reverse (R) positions on 6-speed models or in the desired position on the Hydro models. Select a speed appropriate for the snow conditions and a comfortable pace.
2. Squeeze the drive control lever against the handle and the snow blower will move. Release to stop.

TO ENGAGE AUGERS

To engage the augers, squeeze the auger control lever against the left handle. Release to stop.

TO STEER (IF EQUIPPED)

With the drive control lever engaged, squeeze the right steering trigger control to turn right, or squeeze the left steering trigger control to turn left.

⚠ CAUTION

Operate the snow blower in open areas and at slow speeds until you are familiar with the drive control and comfortable operating the steering controls.

Clearing a Clogged Chute Assembly

⚠ WARNING

Never use your hands to clear a clogged chute assembly. Shut OFF engine, remove safety key or disconnect spark plug wire and remain behind handles until all moving parts have stopped before unclogging.

The chute clean-out tool is conveniently fastened to the rear of the auger housing with a mounting clip. Should snow and ice become lodged in the chute assembly during operation, proceed as follows to safely clear the chute assembly and chute opening:

1. Release both the auger control lever and the drive control lever and rotate the chute assembly to the left.
2. SHUT THE ENGINE OFF! Remove safety key or disconnect spark plug wire. Refer to the Engine Operator's Manual.
3. Remove clean-out tool from the clip which secures it to the rear of the auger housing.
4. Use the shovel-shaped end of the clean-out tool to dislodge and scoop any snow and ice which has formed in and near the chute assembly. Always use the clean-out tool (Part # 931-2643), not your hands. Refer to the separate supplement for clean-out tool ordering information, if lost or damaged (Figure 74).

OPERATION

5. Re-fasten the clean-out tool to the mounting clip on the rear of the auger housing, reinsert the safety key or connect the spark plug wire and start the engine.
6. While standing in the operator's position (behind the snow blower), engage the auger control lever for a few seconds to clear any remaining snow and ice from the chute assembly.

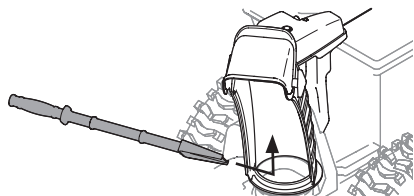
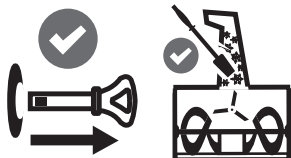


Figure 74

Replacing Shear Pins

CAUTION

NEVER replace the auger or central accelerator shear pins with anything other than OEM Part No. 738-04124A (round head replacement shear pins), 738-05273 (black colored, round head replacement shear pins) or 738-06654 (hex head replacement shear pins). Any damage to the auger gearbox or other components as a result of failing to do so will NOT be covered by your snow blower's warranty.

WARNING

Shut OFF engine, remove safety key or disconnect spark plug wire prior to replacing shear pins.

The augers are secured to the spiral shaft with shear pins (a, b or c) and cotter pins (d). If the auger should strike a foreign object or ice jam, the snow blower is designed so that the pins may shear. If the augers will not turn, check to see if the pins have sheared (Figure 75).

IMPORTANT: ALWAYS use the correct OEM replacement shear pin.

2-STAGE SNOW BLOWER REPLACEMENT SHEAR PINS

- The auger is secured to the spiral shaft using round head shear pins (a) - OEM Part No. 738-04124A.

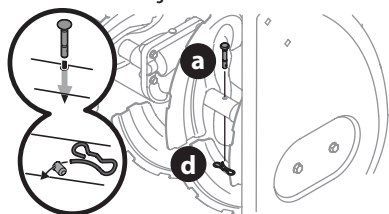


3-STAGE SNOW BLOWER REPLACEMENT SHEAR PINS

- The side augers are secured to the spiral shaft using black colored, round head shear pins (b) - OEM part number 738-05273.
- The central accelerator augers are secured to the spiral shaft using hex head shear pins (c) - OEM part number 738-06654.



2-Stage Snow Blowers



3-Stage Snow Blowers

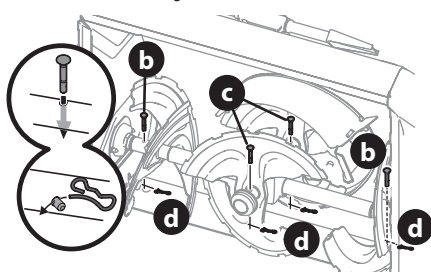


Figure 75

SERVICE AND MAINTENANCE

⚠ WARNING

Before servicing, repairing or inspecting the snow blower, disengage the auger control lever. Stop the engine, remove the safety key or disconnect spark plug wire to prevent unintended starting.

Troubleshooting

ENGINE

1. Engine fails to start, runs erratic, skips (hesitates) or idles poorly. Refer to the Engine Operator's Manual.
 - Refer to the Engine Operator's Manual for engine-related troubleshooting and service.

EXCESSIVE VIBRATION

1. Loose or damaged parts.
 - Stop engine immediately, remove safety key or disconnect spark plug wire. Check for possible damage. Tighten all nuts and bolts. Repair as needed. If the problem persists, contact an authorized service center.

FAILS TO PROPEL ITSELF

1. Drive control cable in need of adjustment.
 - Adjust drive control cable. Refer to Drive Control on page 19.
2. Drive belt loose or damaged.
 - Replace drive belt. Contact an authorized Service Center.
3. Friction wheel worn.
 - Replace friction wheel. Refer to Service section on page 28.

FAILS TO DISCHARGE SNOW

1. Chute assembly clogged.
 - Stop engine immediately, remove safety key or disconnect spark plug wire. See Engine Operator's Manual. Clean chute assembly and inside of auger housing with clean-out tool. Refer to Cleaning a Clogged Chute Assembly on page 23.
2. Foreign object lodged in auger.
 - Stop engine immediately, remove safety key or disconnect spark plug wire. See Engine Operator's Manual. Remove object from auger with clean-out tool. Refer to Cleaning a Clogged Chute Assembly on page 23.
3. Auger control cable in need of adjustment.
 - Refer to Auger Control on page 17.
4. Auger belt loose or damaged.
 - Refer to Auger Belt Replacement on page 27.
5. Shear pin(s) sheared.
 - Refer to Replacing Shear Pins on page 24.

CHUTE FAILS TO EASILY ROTATE

1. Chute assembled incorrectly.
 - Disassemble chute control and reassemble as directed in the Assembly & Set-up section.

PUSHES SNOW INSTEAD OF THROWING

1. Low/slow ground speed in wet/slushy snow 1-3" in depth.
 - Increase ground speed and always operate snow blower engine at FULL throttle. Refer to Cleaning a Clogged Chute Assembly on page 23.
2. Shear pin(s) sheared.
 - Refer to Replacing Shear Pins on page 24.

OVERHEAD CHUTE CONTROL DOES NOT STAY STATIONARY WHILE THROWING SNOW

1. Insufficient preload applied to chute control.
 - Refer to on Overhead Chute Control (If Equipped) on page 17.

Maintenance

ENGINE

Refer to Engine Operator's Manual.

TIRE PRESSURE

Refer to Assembly & Set-up section (page 15) for information regarding tire pressure.

SHAVE PLATE & SKID SHOES

The shave plate and skid shoes on the bottom of the snow blower are subject to wear. They should be checked periodically and replaced when necessary.

NOTE: Deluxe skid shoes (on select models) have two wear edges. When one side wears out, they can be rotated 180° to use the other edge.

To remove skid shoes (Deluxe shown):

1. Remove four carriage bolts (a) and hex flange nuts (b) and flat washers (c) which secure them to the housing.
2. Rotate and reassemble new skid shoes with four carriage bolts (a) (two on each side) and hex flange nuts (b) and flat washers (c) (Figure 76).

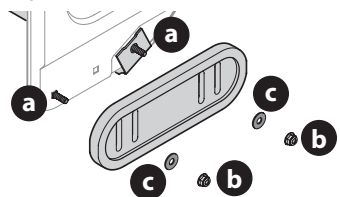


Figure 76

SERVICE AND MAINTENANCE

To remove shave plate:

1. Allow the engine to run until it is out of fuel. Do not attempt to drain fuel from the engine. Remove safety key or disconnect spark plug wire.
2. Carefully pivot snow blower up and forward so that it rests on the auger housing.
3. Remove carriage bolts (a) and hex nuts (b) which attach it to auger housing (Figure 77).

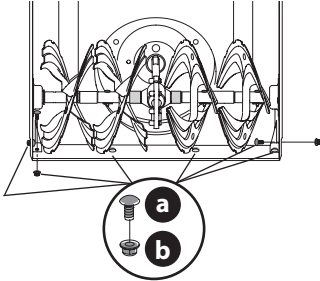


Figure 77

4. Reassemble new shave plate, making sure heads of carriage bolts are to the inside of housing. Tighten securely (Figure 77).
5. If adjusting the shave plate is necessary, refer to Adjustable Shave Plate (If Equipped) on page 17.

OFF-SEASON STORAGE

If the snow blower will no longer be used until next season, follow the storage instructions below.

1. Run engine until fuel tank is empty and it stops due to lack of fuel. Do not attempt to drain fuel from engine.

NOTE: Refer to Engine Operator's Manual for information on storing your engine.

2. Lubricate machine as instructed on page 26.
3. Store in a clean, dry area.
4. If storing in an unventilated area, rustproof machine using a light oil or silicone to coat the snow blower.
5. Clean the exterior of the engine and the snow blower.

IMPORTANT: When storing or when it is not being serviced, it is to remain in the upright position with both wheels and auger housing on the ground.

Lubrication

WHEELS

At least once a season, remove both wheels. Clean and coat axles with a multipurpose automotive grease before reinstalling wheels.

SIDE MOUNTED CHUTE ROTATION CONTROL (IF EQUIPPED)

Once a season, lubricate eye-bolt bushing and the spiral with 3-in-1 oil.

NON-HYDRO MODELS (IF EQUIPPED)

The friction wheel hex shaft should be lubricated at least once a season or after every twenty-five (25) hours of operation.

1. Allow engine to run until it is out of fuel. Remove safety key or disconnect spark plug wire.
2. Carefully pivot snow blower up and forward so that it rests on auger housing.
3. Remove frame cover from underside by removing self-tapping screws (Figure 78).

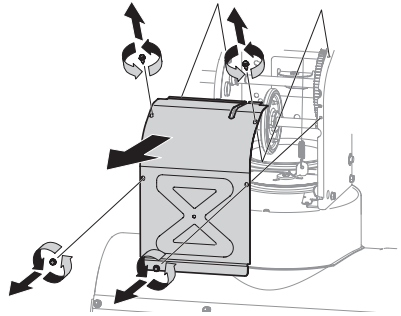


Figure 78

4. Apply a light coating of Bostik Regular Grade Never-Seez® to hex shaft (Figure 79).

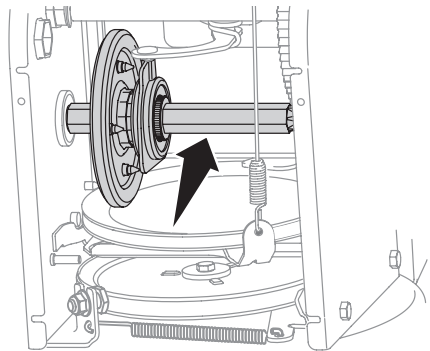


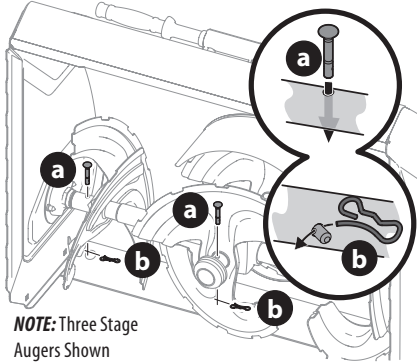
Figure 79

NOTE: When lubricating hex shaft, be careful not to get any lubricant on aluminum drive plate or rubber friction wheel. Doing so will affect the drive system. Wipe off any excess or spilled lubricant.

SERVICE AND MAINTENANCE

AUGER SHAFT

At least once a season, remove shear pins (a) and cotter pins (b) from auger shaft(s). Spray lubricant inside shaft and around spacers and flange bearings found at either end of shaft(s) (Figure 80).



NOTE: Three Stage Augers Shown

Figure 80

IMPORTANT: On 3-stage models, there is an additional shear pin in the rear accelerator.

the auger housing, make sure to unplug the wire harness before removing the belt cover (Figure 82).

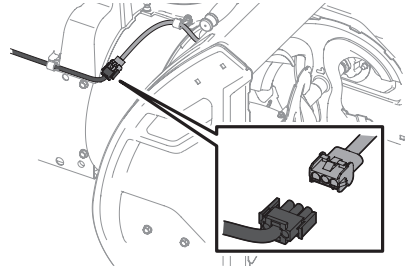


Figure 82

3. Roll auger belt off engine pulley (Figure 83).

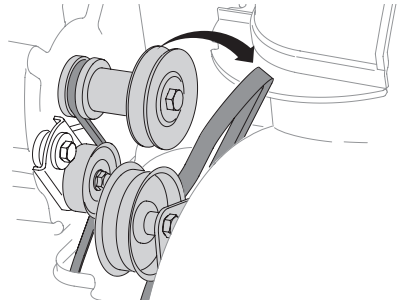


Figure 83

4. Carefully pivot the snow blower up and forward so that it rests on the auger housing.
5. Remove frame cover from underside by removing self-tapping screws (a) (Figure 78).
6. Loosen and remove shoulder bolt (b) which acts as a belt keeper and unhook the spring (c) from the frame (Figure 84).

Service

AUGER BELT REPLACEMENT

To remove and replace auger belt, proceed as follows:

1. Allow engine to run until it is out of fuel. Do not attempt to drain fuel from engine. Remove safety key or disconnect spark plug wire.
2. Remove plastic belt cover on front of engine by removing two self-tapping screws (a) (Figure 81).

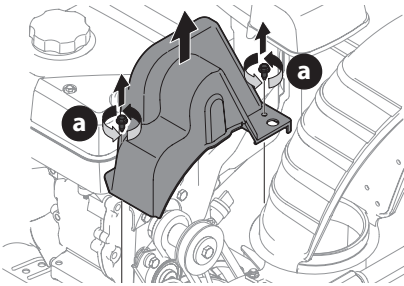
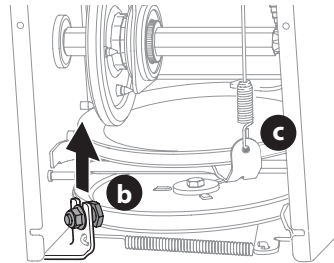


Figure 81

NOTE: On models equipped with the LED light bar on top of



NOTE: Multi-speed unit shown.

Figure 84

SERVICE AND MAINTENANCE

7. Remove belt from around auger pulley, and slip it between support bracket and auger pulley (Figure 85).

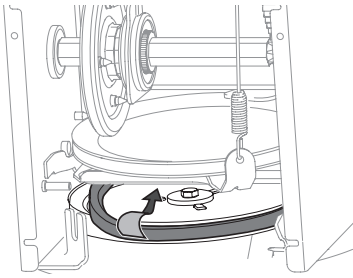


Figure 85

NOTE: Engaging auger control will ease removal and reinstallation of belt.

8. Replace auger belt by following instructions in reverse order.

NOTE: Make sure to reinstall shoulder bolt (a) and reconnect spring to frame after installing a replacement auger belt (Figure 84).

9. After replacing auger belt, perform Auger Control test in Assembly & Set-Up section (page 17).

DRIVE BELT REPLACEMENT

NOTE: See your authorized service dealer to have drive belt replaced or contact Customer Support.

FRICION WHEEL INSPECTION (STEERABLE 500 AND 800 SERIES & NON-STEERABLE SINGLE SPEED 600 SERIES)

If snow blower fails to drive with drive control lever engaged, and performing drive control cable adjustment fails to correct problem, the friction wheel may need to be replaced.

IMPORTANT: Special tools are required and several components must be removed in order to replace the friction wheel rubber. See your authorized service dealer to have friction wheel rubber replaced or contact Customer Support.

To inspect friction wheel, proceed as follows:

1. Allow engine to run until it is out of fuel. Do not attempt to drain fuel from engine. Remove safety key or disconnect spark plug wire.
2. Carefully pivot snow blower up and forward so that it rests on auger housing.
3. Remove frame cover from underside by removing four self-tapping screws (Figure 78).
4. Inspect friction wheel for signs of wear or cracking.
5. Using the four self tapping screws, reinstall the frame cover (Figure 78).
6. If friction wheel rubber must be replaced see your authorized service dealer to have friction wheel rubber replaced or contact Customer Support.

FRICION WHEEL REMOVAL

(MULTI-SPEED NON-STEERABLE 600 SERIES)

If snow blower fails to drive with drive control lever engaged, and performing drive control cable adjustment fails to correct the problem, friction wheel may need to be replaced. Follow the instructions below. Examine friction wheel for signs of wear or cracking and replace if necessary.

1. Allow engine to run until it is out of fuel. Do not attempt to drain fuel from engine. Remove safety key or disconnect spark plug wire.
2. Place shift lever in first Forward (F1) position.
3. Carefully pivot snow blower up and forward so that it rests on auger housing.
4. Remove frame cover from underside by removing self-tapping screws (Figure 78). Remove right-hand wheel by removing screw and bell washer which secure it to axle. See (Figure 86).

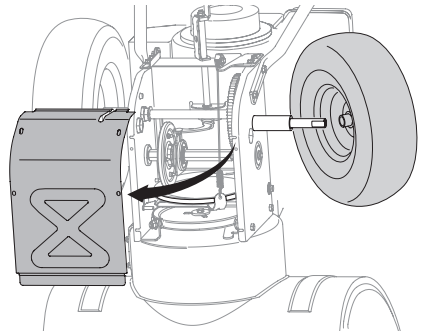


Figure 86

5. Carefully remove hex nut (a) which secures hex shaft to frame and lightly tap the shaft's end to dislodge ball bearing from right side of frame (Figure 87).

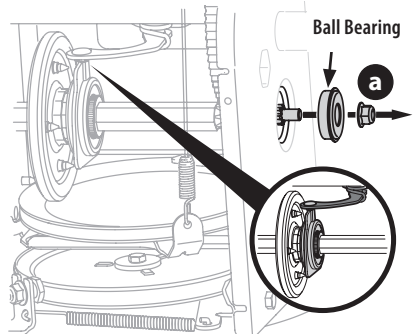


Figure 87

NOTE: Be careful not to damage threads on shaft.

SERVICE AND MAINTENANCE

- Carefully position hex shaft downward and to the left before carefully sliding friction wheel assembly off shaft (Figure 88).

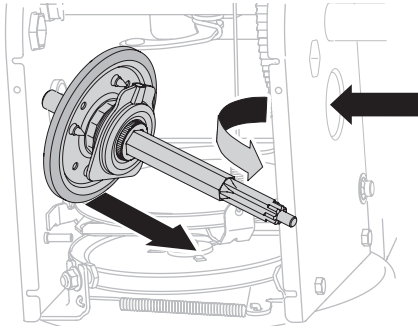


Figure 88

NOTE: If you're replacing friction wheel assembly as a whole, discard the worn part and slide new part onto hex shaft.

- Follow previous steps in reverse order to reassemble components.
- Perform Drive Control test shown on page 18.

If you're disassembling friction wheel and replacing only rubber ring, proceed as follows:

NOTE: Not all friction wheels are serviceable. If this is the case, simply replace friction wheel assembly.

- Remove four screws (b) which secure friction wheel's side plates together (Figure 89).

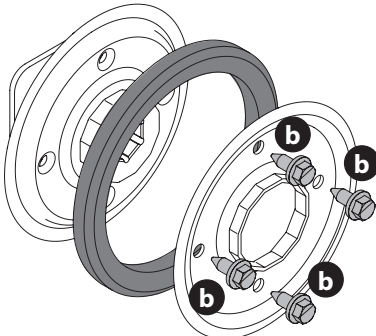


Figure 89

- Remove rubber ring from between the plates.

- Reassemble side plates with a new rubber ring.

NOTE: When reassembling friction wheel assembly, make sure that rubber ring is centered and seated properly between the side plates. Tighten each screw only one rotation before turning wheel clockwise and proceeding with next screw. Repeat this process several times to ensure plates are secured with equal force (between 115-145 in-lbs).

- Apply a light coating of Bostik Regular Grade Never-Seez® to hex shaft.
- Slide friction wheel assembly back onto hex shaft and follow the steps above in reverse order to reassemble components.
- After replacing friction wheel, perform Drive Control test shown on page 18.

NOTE: Make sure shift lever pin is in place in bearing housing (Figure 87 inset).

HYDRO TRANSMISSION (IF EQUIPPED)

NOTE: See your authorized service dealer to have the Hydro Transmission serviced or contact Customer Support for assistance and the name of your nearest servicing dealer.

MANUAL DEL OPERADOR

Soplador de Nieve

2 etapas y 3 etapas
(Series 500, 600 y 800)

Inglés (English)	Página 2
Spanish (Español)	Página 30
French (Français).....	Página 60

Registro de Información del Producto

Antes de instalar y hacer funcionar su nuevo soplador de nieve, por favor localice la placa de modelo en el equipo y registre la información en el espacio de la derecha. Encontrará la placa de modelo parándose en la posición del operador y mirando la parte posterior del soplador de nieve. Necesitará esta información si tiene que solicitar soporte técnico a través de nuestro sitio web, el Departamento de Atención al Cliente, o de un distribuidor local de servicio autorizado.

Número de modelo

Número de serie

ADVERTENCIA

Lea y cumpla todas las reglas e instrucciones de seguridad de este manual antes de intentar operar esta máquina.

Si no sigue estas instrucciones, se pueden provocar lesiones personales - GUARDE ESTAS INSTRUCCIONES.

ADVERTENCIA

PROPOSICIÓN 65 DE CALIFORNIA

El escape del motor de este producto, algunos de sus componentes y algunos componentes del vehículo contienen o liberan sustancias químicas que el estado de California considera que pueden producir cáncer, defectos de nacimiento u otros problemas reproductivos.

NOTA: Este Manual del Operador corresponde a varios modelos. Las características pueden variar según los modelos. No todas las características que se incluyen en este manual se aplican a todos los modelos y el modelo que se ilustra aquí puede diferir del suyo.

PRÁCTICAS DE OPERACIÓN SEGURAS

⚠ ADVERTENCIA



Este símbolo indica instrucciones de seguridad importantes que, de no seguirse, pueden poner en peligro su seguridad personal y/o material y la de otras personas. Lea y cumpla todas las instrucciones de este manual antes de intentar hacer funcionar esta máquina. Si no sigue estas instrucciones, se pueden provocar lesiones personales. Cuando vea este símbolo, ¡PRESTE ATENCIÓN A LA ADVERTENCIA!

⚠ PELIGRO

Esta máquina está diseñada para ser utilizada respetando las prácticas de operación seguras contenidas en este manual. Al igual que con cualquier tipo de equipo motorizado, un descuido o error por parte del operador puede producir lesiones graves. Esta máquina es capaz de amputar dedos, manos y pies y de arrojar residuos. De no respetar las instrucciones de seguridad siguientes, se pueden ocasionar lesiones graves o la muerte.

CAPACITACIÓN

1. Lea, entienda y cumpla todas las instrucciones incluidas en la máquina y en el(los) manual(es) antes de intentar realizar el montaje de la unidad y utilizarla. Guarde este manual en un lugar seguro para consultas futuras y periódicas, así como para solicitar repuestos.
2. Familiarícese con todos los controles y su correcto funcionamiento. Sepa cómo detener la máquina y desactivar los controles rápidamente.
3. No permita nunca que los niños menores de 14 años utilicen esta máquina. Los niños de 14 años en adelante deben leer y entender las instrucciones y las normas de seguridad contenidas en este manual y en la máquina, y deben ser entrenados y supervisados por un adulto.
4. Nunca permita que los adultos operen esta máquina sin recibir antes la instrucción apropiada.
5. Los objetos arrojados por la máquina pueden producir lesiones graves. Planifique el patrón en el que va a ir soplando nieve para evitar que la descarga de material se realice hacia los caminos, los observadores, etc.
6. Mantenga a los observadores, las mascotas y los niños por lo menos a 75 pies de la máquina mientras esté funcionando. Pare la máquina si alguien ingresa al área.
7. Sea precavido para evitar patinarse o caerse, especialmente cuando opera la máquina en marcha atrás.

PREPARATIVOS

Revise minuciosamente el área donde se va a usar el equipo. Saque todos los felpudos, periódicos, trineos, tablas, cables y otros objetos extraños con los que podría tropezar o que podrían ser arrojados por la máquina.

1. Para protegerse los ojos utilice siempre anteojos o antiparras de seguridad mientras opera la máquina o mientras la ajusta o repara. Los objetos arrojados que rebotan pueden producir lesiones graves en los ojos.
2. No opere la máquina sin la vestimenta adecuada para estar al aire libre en invierno. No utilice alhajas, bufandas largas u otras prendas sueltas que podrían enredarse en las partes móviles. Utilice un calzado especial para superficies resbaladizas.

3. Use un prolongador y un tomacorriente de tres cables con conexión a tierra para todas las máquinas con motores de encendido eléctrico.
4. Ajuste la altura de la caja de la barra para no contactar con grava o superficies con piedras trituradas.
5. Desengrane todas las palancas de control antes de arrancar el motor.
6. Nunca intente hacer ajustes mientras el motor está en marcha, excepto cuando así lo recomiende específicamente el manual del operador.
7. Deje que el motor y la máquina se adapten a la temperatura exterior antes de comenzar a sacar la nieve.

MANEJO SEGURO DE LA GASOLINA

Para evitar lesiones personales y daños materiales tenga mucho cuidado al manipular la gasolina. La gasolina es sumamente inflamable y sus vapores son explosivos. Si se derrama gasolina encima o sobre la ropa se puede lesionar gravemente ya que se podría prender fuego. Lávese la piel y cámbiese de ropa de inmediato.

1. Utilice sólo recipientes para gasolina aprobados.
2. Apague los cigarrillos, cigarros, pipas y toda otra fuente de combustión.
3. Nunca cargue combustible en la máquina en un espacio cerrado.
4. Nunca saque la tapa del combustible ni agregue combustible mientras el motor está caliente o en marcha.
5. Deje que el motor se enfríe por lo menos 5 minutos antes de volver a cargar combustible.
6. Nunca llene en exceso el depósito de combustible. Llene el depósito a no más de ½ pulgada por debajo de la base del cuello de llenado dejando espacio para la dilatación del combustible.
7. Vuelva a colocar la tapa del depósito de gasolina y ajústela bien.

PRÁCTICAS DE OPERACIÓN SEGURAS

8. Limpie la gasolina que se pueda haber derramado sobre el motor y el equipo. Traslade la máquina a otra zona. Espere 5 minutos antes de arrancar el motor. Si se derrama combustible sobre la ropa, cámbiela inmediatamente.
9. Nunca almacene la máquina o el recipiente de combustible en un espacio cerrado donde haya una llama abierta, chispas o luz piloto (por ejemplo, hornos, calentadores de agua, calefactores, secadores de ropa, etc.).
10. Deje que la máquina se enfríe por lo menos 5 minutos antes de guardarla.
11. Nunca llene los recipientes en el interior de un vehículo o camión o caja de remolque con un recubrimiento plástico. Siempre ubique los recipientes en el piso, lejos del vehículo antes de llenarlos.
12. Si es posible, retire el equipo a gasolina del camión o remolque y llénelo en el suelo. Si esto no es posible, recargue combustible sobre un remolque con un recipiente portátil, en lugar de una boquilla dosificadora de gasolina.
13. En todo momento, mantenga el pico en contacto con el borde del depósito de combustible o con la boca del recipiente, hasta terminar la carga. No utilice un dispositivo de bloqueo/apertura de boquilla.

FUNCIONAMIENTO

1. No ponga las manos o los pies cerca de las piezas giratorias, en la caja de la barrena o en el conjunto del canal. El contacto con las piezas giratorias puede amputar manos y pies.
2. La palanca de control de la barrena es un dispositivo de seguridad. Nunca anule su funcionamiento. De hacerlo la operación de la máquina es riesgosa y puede ocasionar lesiones.
3. Las palancas de control deben funcionar bien en ambas direcciones y regresar automáticamente a la posición de desactivación cuando se las suelta.
4. Nunca opere la máquina si falta un conjunto de canal o si el mismo está dañado. Mantenga todos los dispositivos de seguridad en su lugar y en funcionamiento.
5. Nunca haga funcionar un motor en interiores o en un área mal ventilada. El escape del motor contiene monóxido de carbono, un gas inodoro y letal.
6. No utilice la máquina bajo la influencia de alcohol o drogas.
7. El silenciador y el motor se recalientan y pueden producir quemaduras. No los toque. Mantenga a los niños alejados.
8. Tenga mucho cuidado si cruza o usa la máquina en superficies con grava. Manténgase atento al tráfico y los riesgos ocultos.
9. Tenga cuidado cuando cambie de dirección o cuando opere la máquina en pendientes. No la utilice en pendientes pronunciadas.
10. Planifique el patrón en el que va a ir soplando nieve para evitar que la descarga de material se produzca hacia ventanas, paredes, automóviles, etc. y evitar así posibles daños materiales o lesiones producidas por los rebotes.
11. Nunca dirija la descarga hacia niños, observadores o mascotas ni deje que nadie se pare delante de la máquina.
12. No sobrecargue la capacidad de la máquina tratando de sacar la nieve muy rápidamente.
13. Nunca opere esta máquina si no cuenta con buena visibilidad o luz. Siempre esté seguro de dónde apoya los pies y mantenga con firmeza las manos en las manijas. Camine, nunca corra.
14. Suelte la palanca de control de la barrena para desactivar el suministro de energía a la barrena al transportar la unidad o cuando no esté quitando nieve.
15. Nunca opere la máquina a altas velocidades de desplazamiento sobre superficies resbaladizas. Mire hacia abajo y hacia atrás, y tenga cuidado cuando vaya marcha atrás.
16. Si la máquina golpea un objeto extraño o comienza a vibrar de manera anormal, detenga el motor, extraiga la llave de seguridad o desconecte el cable de la bujía. Revise cuidadosamente para detectar daños. Repare cualquier daño antes de encender el motor y operar la máquina.
17. Desengrane todas las palancas de control, apague el motor, extraiga la llave de seguridad o desconecte el cable de la bujía antes de salir de la posición de operación (detrás de las manijas). Espere a que la barrena se detenga por completo antes de destapar el conjunto del canal o de realizar ajustes o inspecciones.
18. Nunca ponga las manos en las aberturas de descarga o de recolección. Utilice siempre la herramienta de limpieza que se adjunta para destapar la abertura de descarga. No destape el conjunto del canal mientras el motor está en funcionamiento. Apague el motor, extraiga la llave de seguridad o desconecte el cable de la bujía. Antes de destapar, permanezca detrás de las manijas hasta que todas las piezas móviles se hayan detenido.
19. Use sólo uniones y accesorios aprobados por el fabricante (por ejemplo, pesas para las ruedas, cadenas para los neumáticos, cabinas, etc.).
20. Para encender el motor, jale de la cuerda lentamente hasta que sienta resistencia, luego jale rápidamente. El repliegue rápido de la cuerda de arranque (retroceso o rebote) le jalará la mano y el brazo hacia el motor más rápido de lo que usted tarda en soltarla. Puede llegar a causar huesos rotos, fracturas, hematomas y esguinces.
21. Si se presentan situaciones que no están previstas en este manual, tenga cuidado y use el sentido común. Póngase en contacto con Asistencia al Cliente para solicitar ayuda y el nombre del distribuidor de servicio más cercano.

PRÁCTICAS DE OPERACIÓN SEGURAS

PROCEDIMIENTO PARA DESPEJAR UN CANAL DE DESCARGA OBSTRUIDO

El contacto de las manos con el impulsor rotatorio o la barrena que está dentro del canal de descarga es la causa más común de lesiones asociadas con los sopladores de nieve. Nunca use las manos para limpiar el canal de descarga.

Para despejar el canal:

1. ¡APAGUE EL MOTOR!
2. Extraiga la llave de seguridad o desconecte el cable de la bujía.
3. Espere 10 segundos para estar seguro de que el impulsor o la barrena han dejado de rotar.
4. Utilice siempre una herramienta de limpieza, no use las manos.

MANTENIMIENTO Y ALMACENAMIENTO

1. Nunca intente alterar los dispositivos de seguridad. Compruebe regularmente que funcionen correctamente. Remítase a las secciones de mantenimiento y ajuste de este manual.
2. Antes de limpiar, reparar o inspeccionar la máquina, desengrane todas las palancas de control, apague el motor, extraiga la llave de seguridad o desconecte el cable de la bujía. Espere a que la barrena se detenga por completo.
3. Controle a intervalos frecuentes que los pernos y tornillos estén bien apretados para mantener la máquina en condiciones de uso seguro. Además, haga inspecciones visuales de la máquina para verificar si sufrió algún daño.
4. No cambie la configuración del regulador del motor ni acelere demasiado el mismo. El regulador del motor controla la velocidad máxima de funcionamiento seguro del motor.
5. Las placas de raspado y las zapatas antideslizantes del soplador de nieve se desgastan y se dañan. Para proteger su seguridad, verifique frecuentemente todos los componentes y reemplácelos sólo con partes de los fabricantes de equipo original (OEM). "El uso de piezas que no cumplen con las especificaciones del equipo original podría producir un rendimiento inadecuado y además puede comprometer la seguridad".
6. Revise las palancas de control periódicamente para verificar que engranen y desengranen adecuadamente y ajústelas si es necesario. Consulte la sección de ajustes de este manual del operador para obtener instrucciones.

7. Mantenga o reemplace las etiquetas de seguridad e instrucciones según sea necesario.
8. Respete las normas y reglamentaciones sobre la manera correcta de eliminar gasolina, aceite, etc. para proteger el medio ambiente.
9. Antes de almacenar la máquina enciéndala unos minutos para sacar la nieve que haya quedado en la misma y para evitar así que se congele la barrena.
10. Nunca almacene la máquina o el recipiente de combustible en un espacio cerrado donde haya una llama abierta, chispas o piloto de encendido como por ejemplo, de calentadores de agua, hornos, secadores de ropa, etc.
11. Consulte siempre el manual del operador para obtener instrucciones adecuadas para el almacenamiento fuera de temporada.
12. Verifique frecuentemente la línea de combustible, el depósito, el tapón y los accesorios para ver si hay rajaduras o pérdidas. Reemplace cuando sea necesario.
13. No dé arranque al motor si no está la bujía de encendido.
14. Según la Comisión de Seguridad de Productos para el Consumidor de los Estados Unidos (CPSC) y la Agencia de Protección Ambiental de los Estados Unidos (EPA), este producto **tiene una vida útil media** de siete (7) años o 60 horas de funcionamiento. Al finalizar la **vida útil media**, haga inspeccionar anualmente esta unidad por un distribuidor de servicio autorizado para cerciorarse de que todos los sistemas mecánicos y de seguridad funcionan correctamente y no tienen excesivo desgaste. Si no lo hace, puede ocasionar accidentes, lesiones o la muerte.

NO MODIFIQUE EL MOTOR



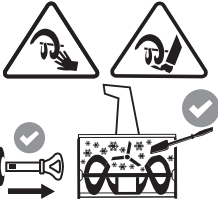




Para evitar lesiones graves o la muerte, no modifique el motor de ninguna manera. La manipulación del ajuste del regulador puede modificar la regulación del motor y hacer que éste funcione a velocidades inseguras. Nunca modifique el ajuste de fábrica del regulador del motor.

AVISO SOBRE LAS EMISIONES DEL MOTOR

Los motores tienen la certificación de cumplimiento de las reglamentaciones sobre emisiones federales de EPA y California para SORE (equipo pequeño para uso fuera de carreteras), funcionan con gasolina normal sin plomo y pueden incluir los siguientes sistemas de control de emisiones: Modificación de motor (EM), catalizador oxidante (OC), inyección de aire secundaria (SAI) y catalizador de tres vías (TWC) si están instalados.

SÍMBOLOS DE SEGURIDAD

En esta página, se presentan y describen los símbolos de seguridad que pueden aparecer sobre el soplador de nieve y motor. Antes de intentar operar la máquina, lea, comprenda y respete todas las advertencias e instrucciones que aparecen sobre el soplador de nieve y motor, junto con los manuales del operador.

Symbol	Description
 <p>OPESymbol.com</p>	<p>ADVERTENCIA - LEA EL MANUAL DEL OPERADOR: Antes de intentar operar este soplador de nieve, lea, comprenda y respete todas las reglas e instrucciones de seguridad que encontrará en los manuales y sobre el soplador de nieve. Si no cumple con lo que indica esta información, se pueden provocar lesiones personales o la muerte. Conserve este manual en un lugar seguro para usarlo como referencia futura habitual. Con un teléfono inteligente, escanee el símbolo del código de QR para obtener más información sobre las advertencias incluidas en este soplador de nieve. También puede visitar www.OPESymbol.com para obtener más información.</p>
	<p>ADVERTENCIA: EVITE LESIONES DE AMPUTACIÓN, CANAL DE DESCARGA: No coloque las manos cerca o dentro del canal de descarga mientras el motor está en funcionamiento. El contacto con el impulsor rotatorio o la barrena puede resultar en la amputación de dedos y manos. Detenga el motor, quite la llave de seguridad y espere hasta que todas las piezas móviles hayan dejado de rotar. Siempre utilice un utensilio de limpieza para despejar el canal de descarga; nunca lo haga con las manos.</p>
	<p>ADVERTENCIA: EVITE LESIONES DE AMPUTACIÓN, CARCASA DE LA BARRENA: No coloque las manos ni los pies cerca o dentro de la caja de la barrena mientras el motor está en funcionamiento. El contacto con la barrena puede resultar en la amputación de manos, pies y dedos de manos y pies. Detenga el motor, quite la llave de seguridad y espere hasta que todas las piezas móviles hayan dejado de rotar. Siempre utilice un utensilio de limpieza para despejar la caja de la barrena; nunca lo haga con las manos.</p>
	<p>ADVERTENCIA — DESCARGAS ELÉCTRICAS: No enchufe ni use el arrancador eléctrico del motor bajo la lluvia o en condiciones húmedas.</p>
	<p>ADVERTENCIA — LA GASOLINA ES INFLAMABLE: Deje que el motor se enfríe por lo menos dos minutos antes de cargar combustible.</p>
	<p>ADVERTENCIA — MONÓXIDO DE CARBONO: Nunca haga funcionar un motor en interiores o en un área mal ventilada. El escape del motor contiene monóxido de carbono, un gas inodoro y letal.</p>
	<p>ADVERTENCIA — SUPERFICIE CALIENTE: El silenciador y el motor están a temperatura muy alta y pueden provocar lesiones graves por quemaduras. No los toque. Deje que el soplador de nieve se enfríe al menos durante cinco minutos antes de almacenarlo o intentar cualquier tarea de mantenimiento.</p>

⚠ WARNING

Su Responsabilidad- Restrinja el uso del soplador de nieve a aquellas personas que hayan leído, comprendido y respeten todas las advertencias e instrucciones que figuran sobre el soplador de nieve, además de los manuales del operador. - ¡GUARDE ESTAS INSTRUCCIONES!

Información general

- Retire los materiales de empaque del soplador de nieve.
- Gire la manija hasta la posición vertical. Consulte la sección Montaje de la Manija.
- Instale el canal. Consulte la sección Opciones de Conjunto del Canal.
- Complete el montaje del soplador de nieve de acuerdo con el modelo y equipo. Consulte la sección Instalación.
- Haga cualquier ajuste que sea necesario para asegurar el correcto funcionamiento del soplador de nieve. Consulte la sección Ajustes.
- Agregue el combustible y el aceite. Consulte el Manual del Operador del Motor que se envía con el soplador de nieve.

Herramientas necesarias

- Llave ajustable o juego de llaves de vaso
- Pinzas de punta de aguja

Montaje de la Manija

1. Corte los precintos que aseguran la varilla de control del canal o la manija superior con la manija inferior (si aplica), aparte la varilla de control del canal (si aplica) y extraiga la envoltura de las manijas (si aplica).

NOTA: No corte el precinto que asegura los cables de control al motor, si viene equipado.

NOTA: En modelos con Control del Canal Superior (con eje flexible), Control del Canal de Cuatro Direcciones y Control Eléctrico del Canal, corte los precintos que sujetan el eje flexible a la manija inferior y deje dicho eje a un costado. Quite las bandas elásticas que sujetan los cables a los pernos del carro y corte el precinto que sujeta la varilla de cambios a la manija inferior. Consulte la Figura 7 para identificar los estilos de control.

2. Afloje las dos tuercas superiores (a) que sujetan la manija superior e inferior y extraiga los dos pernos del carro (b) de la manija superior y póngalos a un costado como se muestra en la Figura 1 o Figura 2 para modelos con soportes laterales.

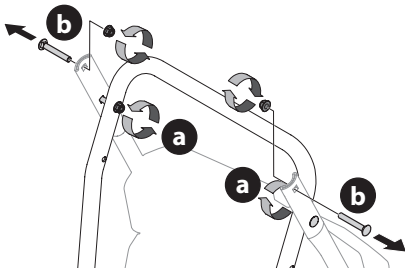


Figura 1

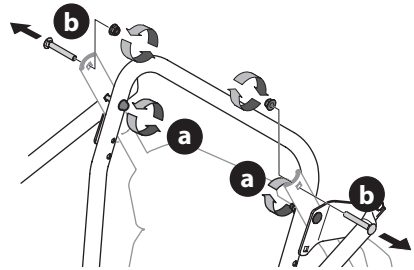


Figura 2

3. Coloque la palanca de cambios en la posición de avance (F) 6 o en la velocidad de avance más rápido (si viene equipada).
4. Observe el área inferior trasera del equipo para asegurarse de que ambos cables (si vienen equipados) estén alineados y asentados adecuadamente en las guías de rodillos (Figura 3).

NOTA: En determinados modelos, los cables de control de inclinación del canal vendrán enrutados debajo del motor del lazo izquierdo y no utilizarán guías de rodillos.

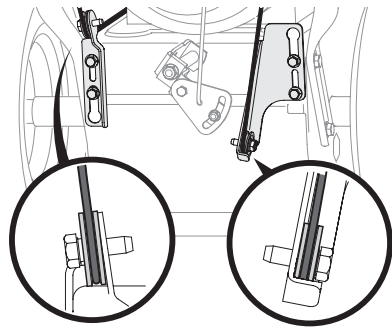


Figura 3

5. Gire la manija hacia arriba y alinee la manija inferior (Figura 4). Retire y descarte todas las bandas elásticas, si las hubiera. Únicamente se utilizan para el empaque.

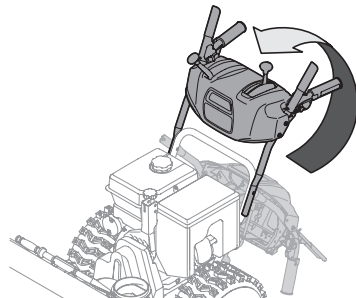


Figura 4

NOTA: En determinados modelos con selectores de velocidad de varilla de acero, puede necesitar bajar la varilla de cambios hacia el costado ligeramente para maniobrar el panel de la manija sobre ella al girar la manija hacia arriba.

MONTAJE

6. Coloque los dos pernos del carro (b) y las tuercas (a) que extrajo en el Paso 2. Termine de sujetar la manija, para lo que debe ajustar las dos tuercas superiores (c) que aflojó en el Paso 2. Vea en la Figura 5 o Figura 6 los modelos con soportes laterales.

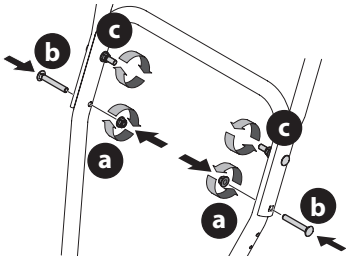


Figura 5

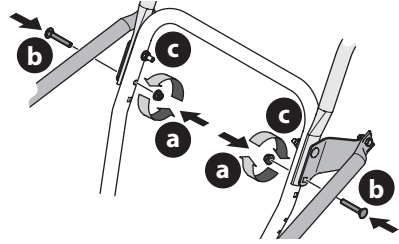


Figura 6

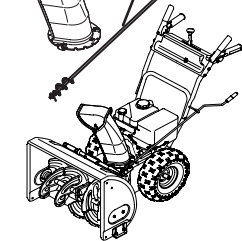
ALTO

Consulte la Figura 7 siguiente para identificar su "Estilo de Control del Canal" y continuar con las instrucciones de "Montaje" correspondientes a su estilo específico en las páginas 38-43.

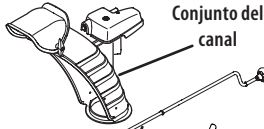
Estilos de Control del Canal

Conjunto del canal

Varilla de control del canal

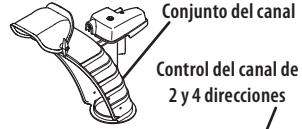


Control de Rotación del Canal de Montaje Lateral c/ Inclinación Manual on página 37



Varilla de control del canal

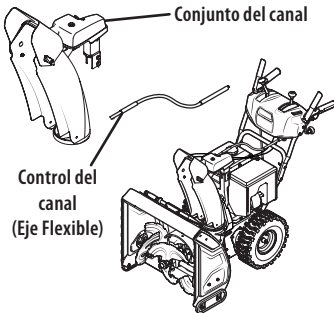
Control de Rotación del Canal Superior c/ Inclinación Manual on página 38



Control del canal de 2 y 4 direcciones

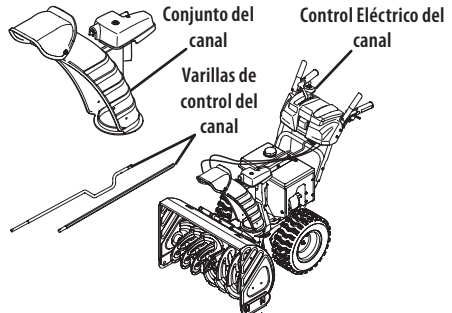
Varilla de control del canal

Control de Rotación del Canal Superior c/ Control de Rotación e Inclinación de 2 Direcciones o 4 Direcciones on página 39



Control del canal (Eje Flexible)

"Control del Canal Superior (Eje Flexible) c/ Canal de Acero y Control de Rotación del Canal Superior c/ Control Eléctrico de Rotación e Inclinación de 4 Direcciones" on page 40



Control Eléctrico del canal

Conjunto del canal
Varillas de control del canal

Control de Rotación del Canal Superior c/ Control Eléctrico de Rotación e Inclinación de 4 Direcciones on página 42

Figura 7

Control de Rotación del Canal de Montaje Lateral c/ Inclinación Manual

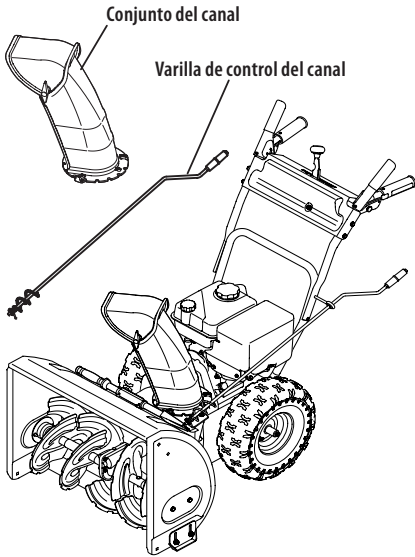


Figura 8

1. Ubique el conjunto del canal sobre la base (Figura 9).

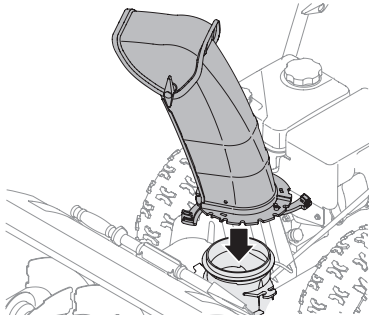


Figura 9

2. Cierre los fijadores de brida para sujetar el conjunto del canal a la base del canal. Los fijadores de brida emiten un chasquido cuando están bien asegurados (Figura 10).

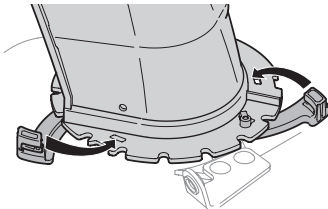


Figura 10

NOTA: Compruebe que el canal inferior esté sujeto a la brida que está en la base del canal. El borde inferior de la abrazadera del canal debe quedar ubicado debajo de la brida que está en la base del canal después de que encaje en su lugar. Si los fijadores de brida no encajan en su lugar fácilmente, utilice la palma de la mano para aplicar una presión rápida y firme en la parte posterior de los fijadores.

3. Quite la tapa plástica (si está presente), la arandela plana (a) y el broche de horquilla (b) del extremo de la varilla de control del canal (Figura 11).

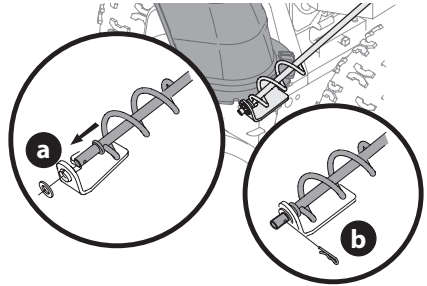


Figura 11

4. Inserte el extremo de la varilla de control del canal en la ménsula inferior y sujete con la arandela plana (a), el broche de horquilla (b) y la tapa plástica (si está presente) que quitó en el Paso 1. Si es necesario, se puede ajustar la ménsula inferior. Consulte la sección Control del Canal Lateral (Si Viene Equipado) on página 45.

● **ALTO**

Continúe con Instalación (página 43).

Control de Rotación del Canal Superior c/ Inclinación Manual

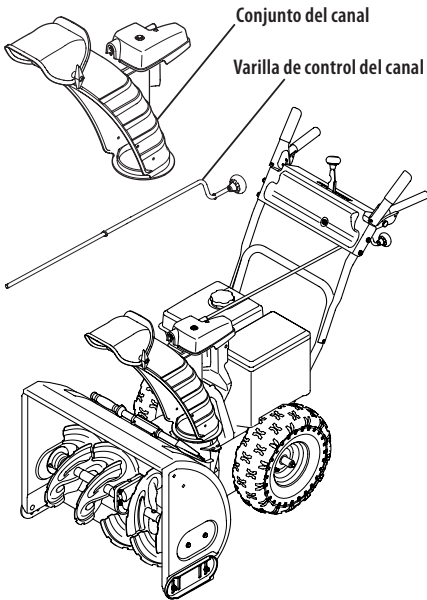


Figura 12

1. Retire la tuerca de mariposa (a) y el tornillo hexagonal (b) del cabezal de control del canal y el pasador de horquilla (c) y el pasador de claveta (d) de la ménsula de soporte del canal. Ubique el conjunto del canal (mirando hacia adelante) sobre la base del canal y ménsula de soporte del canal (Figura 13).

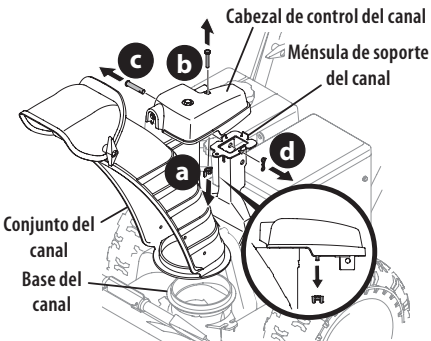


Figura 13

2. Asegure el cabezal de control del canal a la ménsula de soporte del canal con el pasador de horquilla (c) y el pasador de claveta (d) que se extrajeron en el Paso 1 (Figura 14).

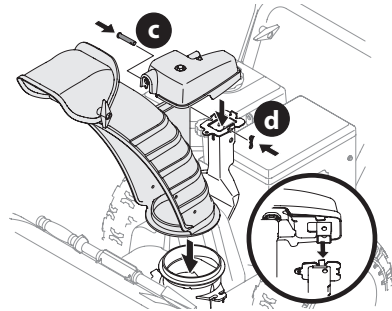


Figura 14

3. Termine de sujetar el cabezal de control del canal a la ménsula de soporte del canal con la tuerca de mariposa (a) y el tornillo hexagonal (b) que extrajo en el Paso 1 (Figura 15).

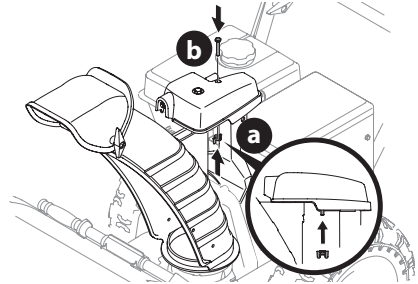


Figura 15

4. Inserte la varilla de control del canal en la ménsula de soporte que está en la parte posterior del tablero de instrumentos (Figura 16).

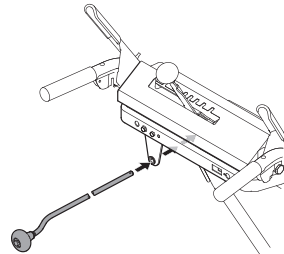


Figura 16

5. Retire el broche de horquilla (a) de la parte posterior del cabezal de control del canal (Figura 17).

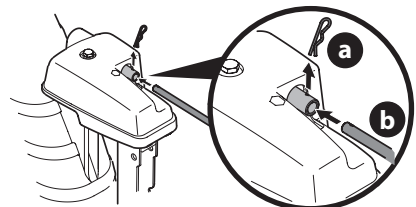


Figura 17

MONTAJE

6. Inserte la varilla de control del canal (b) en la parte posterior del cabezal de control del canal (Figura 17) y fije con el broche de horquilla (a) que extrajo en el Paso 5.

● ALTO

Continúe con Instalación (página 43).

Control de Rotación del Canal Superior c/ Control de Rotación e Inclinación de 2 Direcciones o 4 Direcciones

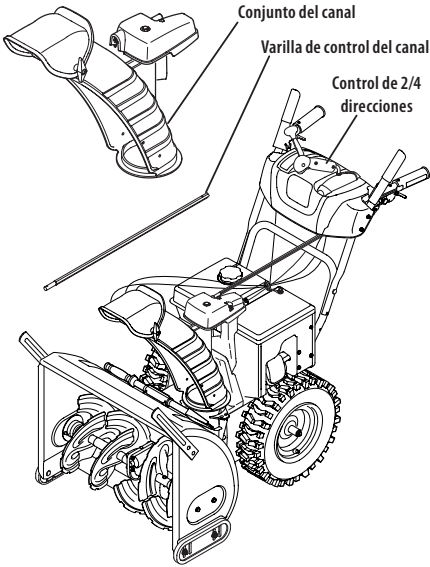


Figura 18

1. Retire el broche de horquilla (a), la tuerca de mariposa (b) y el tornillo hexagonal (c) del cabezal de control del canal, y el pasador de horquilla (d) y pasador de chaveta con unión curva (e) de la ménsula de soporte del canal (Figura 19).

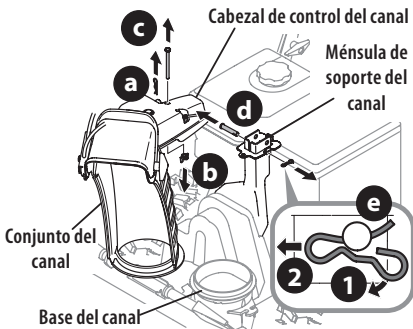


Figura 19

NOTA: Para lograr el mejor funcionamiento, todos los cables se deben dejar a la izquierda de la varilla de control del canal.

2. Inserte la varilla de control del canal dentro del cabezal de control del canal. Empuje la varilla dentro del cabezal de control del canal lo más posible, manteniendo los orificios de la varilla orientados hacia arriba (Figura 20).

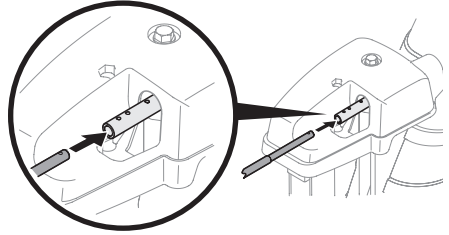


Figura 20

3. Coloque el conjunto del canal sobre la base del canal y asegúrese de que la varilla de control del canal se encuentre arriba de la manija inferior. Coloque el tornillo hexagonal (c) que extrajo en el Paso 1 pero no lo sujete todavía con la tuerca de mariposa (Figura 21).

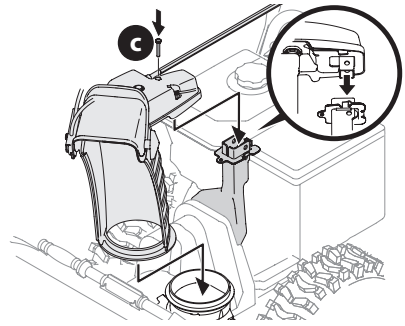


Figura 21

4. Oprima el disparador que está sobre el control del canal de 2 direcciones/4 direcciones y rote el canal a mano para que quede mirando hacia adelante. Los orificios del collarín de control del canal estarán mirando hacia arriba (Figura 22).

Collarín de Control del Canal

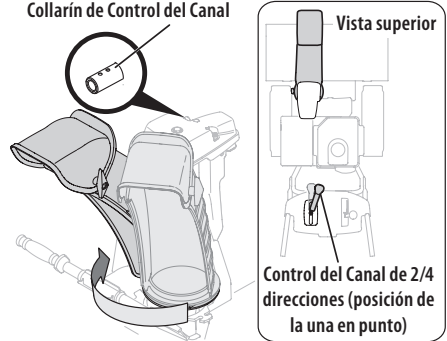


Figura 22

IMPORTANTE: El canal no rotará si no se oprime el disparador que está sobre el control del canal de 2 direcciones/4 direcciones.

MONTAJE

5. Gire el control del canal de 2 direcciones/4 direcciones hasta la posición de la una en punto (Figura 22) de modo que la flecha indicadora que está sobre el piñón diferencial debajo de la manija del control mire hacia arriba (Figura 23).

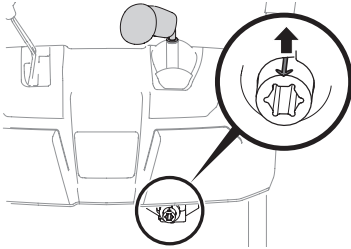


Figura 23

6. Inserte la varilla de control del canal en el piñón diferencial que está debajo del panel de la manija. Asegúrese de alinear el orificio de la varilla con la flecha que está sobre el piñón diferencial (Figura 24).

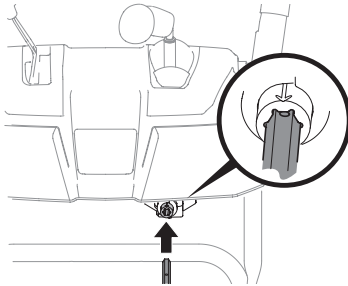


Figura 24

NOTA: La varilla de control del canal encajará justo en el piñón diferencial. Sostenga la parte posterior del panel de la manija con una mano mientras inserta la varilla con la otra mano para asegurar que la varilla se inserte **completamente** dentro del piñón diferencial.

NOTA: El orificio de la varilla de control del canal es una referencia para alinear la varilla con la flecha indicadora del piñón diferencial y quedará a la vista después de haber insertado por completo la varilla.

7. Empuje la varilla de control del canal hacia el tablero de control hasta que el orificio de la varilla quede alineado con el collarín de entrada del control del canal que está más cerca del cabezal de control del canal, e inserte el broche de horquilla (a) que extrajo en el Paso 1 (Figura 25).

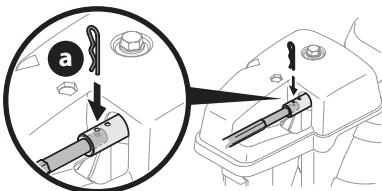


Figura 25

NOTA: El segundo orificio se utiliza para insertar más la varilla de control del canal en el piñón diferencial, si resulta necesario. Consulte la sección Cuidado del Producto para lo referente a ajustes de la Varilla de Control del Canal.

8. Termine de sujetar el cabezal de control del canal a la ménsula de soporte del canal con la tuerca de mariposa (b), el pasador de horquilla (d) y el pasador de chaveta con unión curva (e) que extrajo en el Paso 1.

● ALTO

Continúe con Instalación (página 43).

Control del Canal Superior (Eje Flexible) c/ Canal de Acero y Control de Inclinación de 2 Direcciones

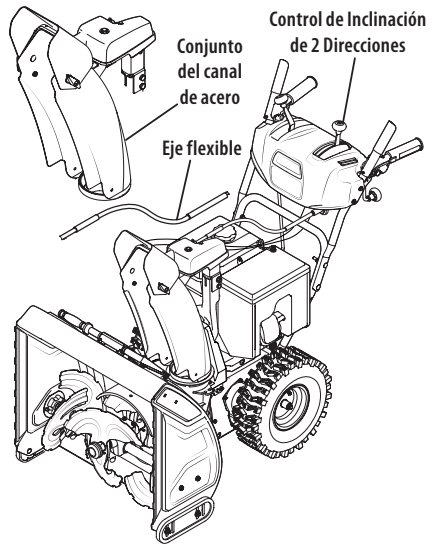


Figura 26

1. Extraiga las tuercas de seguridad (a) y los tornillos hexagonales (b) de la ménsula de soporte del canal (para lo que se requerirán dos llaves) (Figura 27).

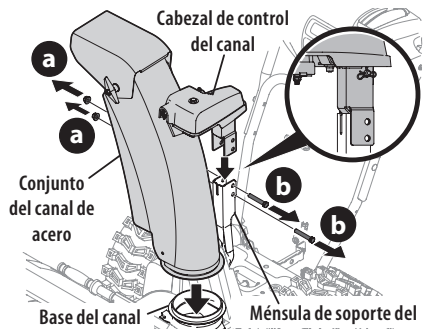


Figura 27

MONTAJE

- Ubique el conjunto del canal sobre la base del canal y el cabezal de control del canal sobre la ménsula de soporte del canal (Figura 27).
- Sujete el cabezal de control del canal a la ménsula de soporte del canal con las tuercas de seguridad (a) y los tornillos hexagonales (b) que extrajo en el Paso 1 (Figura 28).

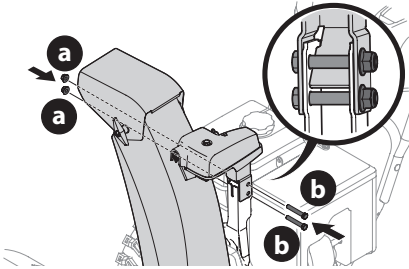


Figura 28

NOTA: Para lograr el mejor funcionamiento, todos los cables se deben dejar a la izquierda de la varilla de control del canal.

- Retire el broche de horquilla (a) de la parte posterior del cabezal de control del canal (Figura 29).

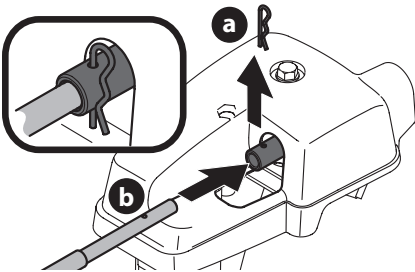


Figura 29

- Inserte el eje flexible (b) en la parte posterior del cabezal de control del canal y sujete con el broche de horquilla (a) que extrajo en el Paso 4 (Figura 29).
- Realice una de las siguientes acciones para conectar el eje flexible con el acoplamiento de la varilla de control del canal:
 - Modelos con Rotación Superior - Inserte el extremo hexagonal del eje flexible en el acoplamiento de la varilla de control del canal debajo del panel de la manija (Figura 30).

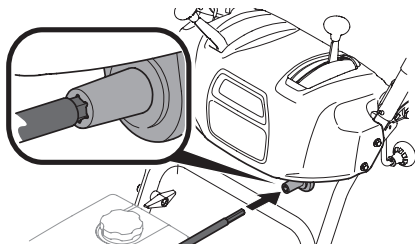


Figura 30

- Modelos con Control Eléctrico del Canal - Inserte el otro extremo del eje flexible en el acoplamiento de la varilla de control del canal debajo del panel de la manija. Asegúrese de alinear el extremo plano de la varilla y el extremo plano del acoplador. Puede ser necesario girar la varilla hasta que se alineen estas dos superficies (Figura 31, recuadro).

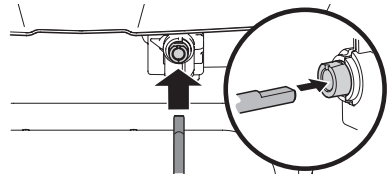


Figura 31

- Asegúrese de que el selector de velocidad esté en la velocidad más rápida de marcha adelante.
- Extraiga el pasador de chaveta (a) y la arandela (b) de la férula que está en el extremo de la varilla de cambios (Figura 32, recuadro).

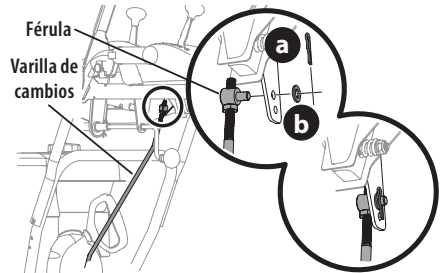


Figura 32

- Verifique que la palanca de cambios que está en la parte posterior de la transmisión esté rotada hacia abajo al máximo de su rotación. Consulte la Figura 33, Detalle "A" para modelos sin transmisión hidrostática o Detalle "B" para modelos con transmisión hidrostática.

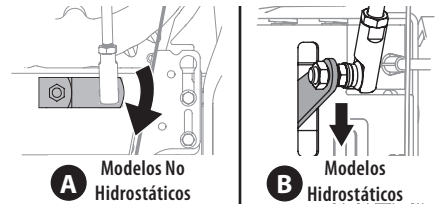


Figura 33

- Inserte la férula en el orificio superior de la palanca de cambios y sujétela con el pasador de chaveta (a) y la arandela (b) que extrajo en el Paso 8 (Figura 32). Es posible que sea necesario ajustar la férula hacia arriba o abajo.

● ALTO

Continúe con Instalación (página 43).

Control de Rotación del Canal Superior c/ Control Eléctrico de Rotación e Inclinación de 4 Direcciones

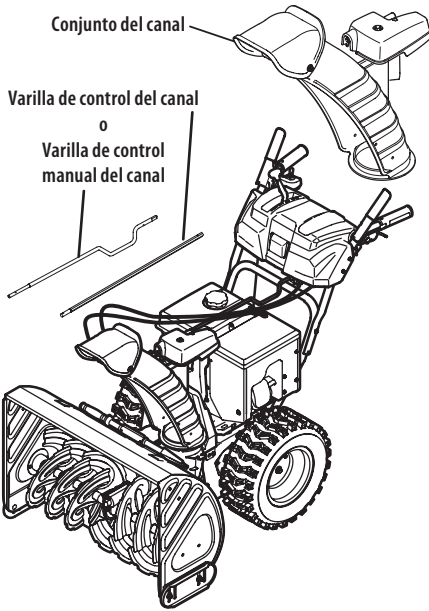


Figura 34

1. Retire el pasador de chaveta (a), la tuerca de mariposa (b) y el tornillo hexagonal (c) del cabezal de control del canal. Extraiga el pasador de horquilla (d) y el pasador de chaveta con unión curva (e) de la ménsula de soporte del canal (Figura 35).

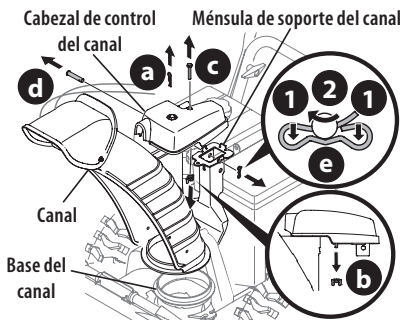


Figura 35

NOTA: Para lograr el mejor funcionamiento, todos los cables se deben dejar a la izquierda de la varilla de control del canal.

2. Inserte el extremo redondeado de la varilla de control del canal en el cabezal de control del canal. Empuje la varilla dentro del cabezal de control del canal lo más posible, manteniendo los orificios de la varilla orientados hacia arriba (Figura 36).

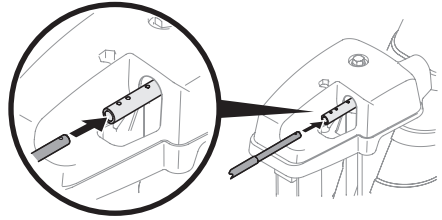


Figura 36

3. Coloque el conjunto del canal sobre la base del canal y asegúrese de que la varilla de control del canal se encuentre arriba de la manija inferior. Asegure el cabezal de control del canal a la ménsula de soporte del canal con el pasador de horquilla (d) y el pasador de chaveta con unión curva que se extrajeron en el Paso 1 (Figura 37).

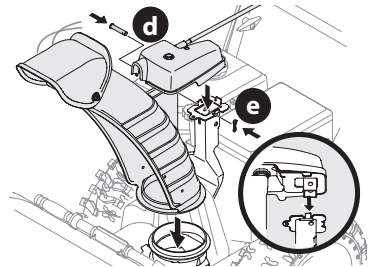


Figura 37

4. Termine de sujetar el cabezal de control del canal colocando el tornillo hexagonal (c) y la tuerca de mariposa (b) que extrajo en el Paso 1 (Figura 38).

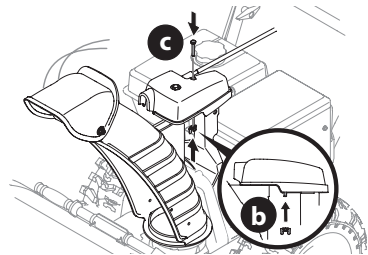


Figura 38

5. Inserte el otro extremo de la varilla de control del canal en el acoplador que se encuentra debajo del panel de la manija. Asegúrese de alinear el extremo plano de la varilla y el extremo plano del acoplador. Puede ser necesario girar la varilla hasta que se alineen estas dos superficies (Figura 39, recuadro).

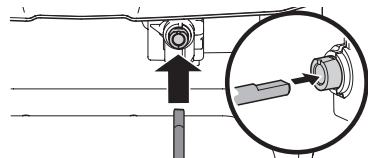


Figura 39

MONTAJE

- Empuje la varilla de control del canal hacia el panel de control hasta que el orificio de la varilla quede alineado con el orificio del medio del acoplador de control del canal e inserte el pasador de chaveta (a) que extrajo en el Paso 1 (Figura 40).

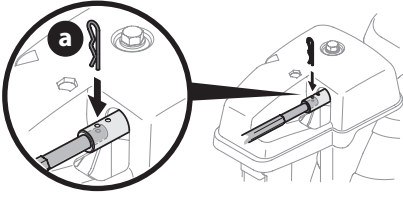


Figura 40

NOTA: Existe un orificio de referencia en el extremo posterior de la varilla de control que ayuda a saber cuándo los orificios están verticales.

NOTA: El orificio más alejado del cabezal de control del canal se utiliza para insertar más la varilla de control del canal en el acoplador, si resulta necesario. Consulte la sección Ajustes, Control del Canal Superior en la página 46.

NOTA: En modelos equipados con varillas de control manual del canal, para mover manualmente el conjunto del canal, si fuese necesario, se utiliza el orificio más cercano al cabezal de control del canal. Consulte la sección Funcionamiento, Control Manual de Rotación del Canal y Control Eléctrico del Canal en la página 52.

ALTO

Continúe con Instalación (página 43).

Instalación

ENRUTAMIENTO DEL CABLE DE CONTROL DEL CANAL (SI VIENE EQUIPADO)

En modelos equipados con controles del canal de 2 o 4 direcciones, control eléctrico del canal y/o controles de inclinación del canal, verifique que los cables de los controles estén correctamente enrutados.

Los cables de control del canal se enrutan por una única guía de cable (a) por arriba del motor y/o por dos guías de cable (b) ubicadas en el frente y lado izquierdo del motor (Figura 41).

NOTA: En modelos equipados con un precinto que sujete los cables a la parte posterior del tanque de gasolina, tire de los cables hacia el canal y tire del precinto de cables para ajustarlos en su lugar.

NOTA: Para lograr el mejor funcionamiento, todos los cables se deben dejar a la izquierda de la varilla de control del canal (c).

NOTA: El número de cables enrutados por las guías de cables variará según el modelo.

- Localice la(s) guía(s) de cables y realice lo siguiente:
- Guía de Cable de Montaje Superior (a) - Verifique que todos los cables estén correctamente enrutados por la guía de cable por encima del motor (Figura 41).

- Guías de Cable de Montaje Frontal y Lateral (b) - Verifique que todos los cables estén correctamente enrutados por la guía de cable que está debajo del lado izquierdo del motor y la guía de cable que está debajo del cabezal de control del canal (Figura 41).

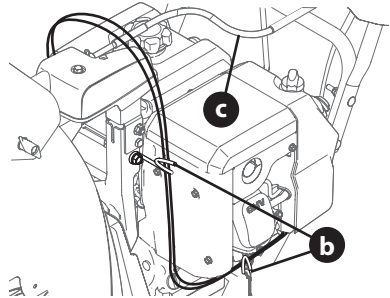
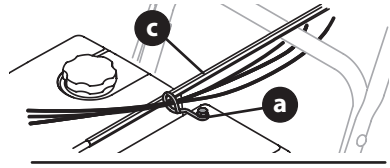


Figura 41

ALMACENAMIENTO DE LOS PASADORES DE CUCHILLA (SI VIENEN EQUIPADOS)

En determinados modelos, se incluyen orificios en la parte posterior del panel de la manija para guardar el pasador de cuchilla (a) y el pasador de chaveta con unión curva (b) como se indica en la Figura 42. Si no se incluyen, asegúrese de guardarlos en un lugar seguro hasta que se necesiten.

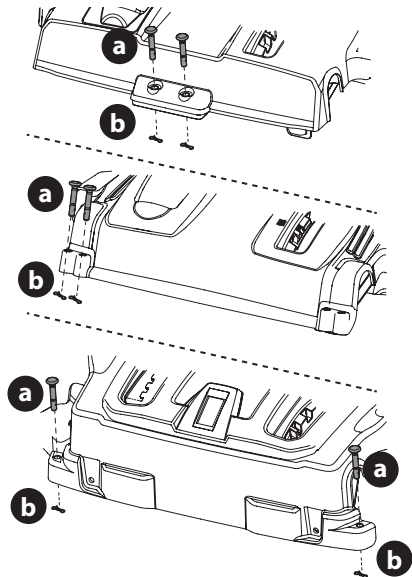


Figura 42

CORTADORES DE DESPLAZAMIENTO

(SI VIENEN EQUIPADOS)

Los cortadores de desplazamiento de nieve se instalan invertidos en la fábrica para los fines del transporte.

No ajustable

1. Retire los dos pernos del carro (a) y las tuercas de seguridad (b) que sujetan cada cortador de desplazamiento de nieve y retírelos de los lados de la caja de la barrena (Figura 43).

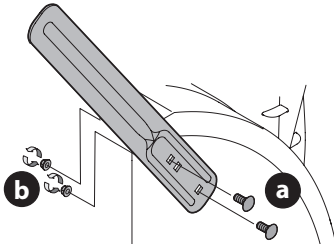


Figura 43

1. Gire los cortadores de desplazamiento de nieve y posícionélos según se muestra en la Figura 43 hacia el exterior de la caja de la barrena.
2. Sujete los cortadores de desplazamiento de nieve con los pernos del carro (a) y las tuercas de seguridad (b) que extrajo en el Paso 1.

Sin herramientas

1. Retire los dos pernos del carro (a) y las tuercas de mariposa (b) que sujetan cada cortador de desplazamiento de nieve y retírelos de los lados de la caja de la barrena (Figura 44).

Cortador de desplazamiento de nieve ajustable sin herramientas



Cortador de desplazamiento de nieve no ajustable sin herramientas

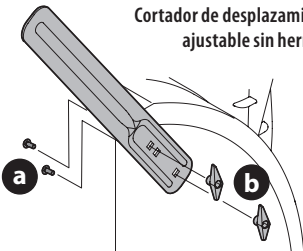


Figura 44

2. Gire los cortadores de desplazamiento de nieve y posícionélos según se muestra en la Figura 44 hacia el exterior de la caja de la barrena.
3. Sujete los cortadores de desplazamiento de nieve con los pernos del carro (a) y las tuercas de mariposa (b) que extrajo en el Paso 1.

ZAPATAS ANTIDESLIZANTES (SI SE APLICAN)

Determinados modelos requieren la instalación de las zapatas antideslizantes suministradas.

4. Con los dos pernos del carro (a) y las tuercas hexagonales con reborde (b) y las arandelas planas (c) (si vienen equipadas) fije las zapatas antideslizantes a la caja de la barrena (d). Ajuste a mano las tuercas hexagonales con reborde (Figura 45).
5. Ajuste las zapatas antideslizantes para dejar una separación mínima de 1/8 de pulgada entre la placa de raspado (e) y el suelo. Ajuste bien las tuercas hexagonales con reborde.
6. Si es necesario, consulte Zapatas Antideslizantes en la sección Ajustes en la página 45.

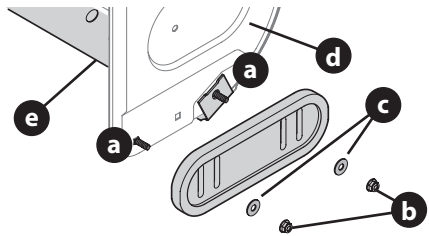


Figura 45

HERRAMIENTA DE LIMPIEZA DEL CANAL

La herramienta de limpieza del canal está sujeta a la parte superior de la caja de la barrena con un pasador de ensamblado (Figura 46).

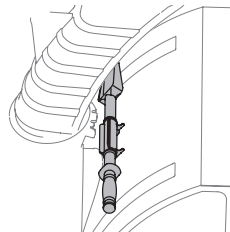


Figura 46

PRESIÓN DE LOS NEUMÁTICOS (SI PROCEDE)

NOTA: No aplica a modelos equipados con neumáticos sin aire.

⚠ ADVERTENCIA

Bajo ninguna circunstancia supere la presión en psi recomendada por el fabricante. Se debe mantener una presión uniforme para todos los neumáticos en todo momento. Una presión excesiva al pisar un reborde puede causar que el montaje de neumático / llanta explote con una fuerza suficiente como para causar lesiones graves. Consulte cuál es la presión recomendada en los laterales de los neumáticos.

Los neumáticos se embarcan con exceso de aire. Controle la presión de los neumáticos antes de operar la unidad. Consulte los laterales de los neumáticos para conocer la presión en psi recomendada por el fabricante y ajuste la presión, según sea necesario.

NOTA: Se debe mantener la misma presión de los neumáticos en todo momento para fines de buen funcionamiento.

Ajustes

ZAPATAS ANTIDESLIZANTES

Las zapatas antideslizantes del soplador de nieve se ajustan en la fábrica aproximadamente en 1/8" por debajo de la placa de raspado. Si lo desea, puede ajustarlas hacia arriba o hacia abajo antes de hacer funcionar la máquina.

⚠ ADVERTENCIA

Tenga máxima precaución cuando esté operando la unidad sobre o cerca de grava y ajuste las zapatas antideslizantes para no contactar con grava o rocas trituradas de modo de evitar recoger y arrojar objetos que podrían causar lesiones serias o daños materiales.

- Si desea quitar nieve al ras en una superficie lisa, eleve más las zapatas antideslizantes en la caja de la barrena.
- Use una posición más baja cuando la superficie que desea limpiar sea despareja, como un camino de grava.

IMPORTANTE: Si decide usar la unidad sobre grava, mantenga las zapatas antideslizantes en la posición que permita lograr una separación máxima entre el piso y la placa de raspado.

1. Afloje las cuatro tuercas hexagonales (a) y los pernos del carro (b). Mueva las zapatas antideslizantes a la posición deseada (Figura 47).

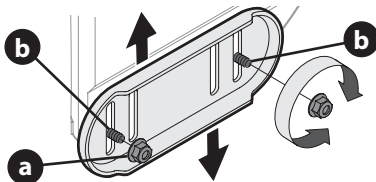


Figura 47

NOTA: Las zapatas antideslizantes de su soplador de nieve podrían verse ligeramente diferentes (y tener componentes diferentes) de los que se muestran en la Figura 47.

2. Compruebe que toda la superficie inferior de las zapatas antideslizantes esté contra el suelo para evitar el desgaste desparejo de las mismas.
3. Ajuste las tuercas hexagonales (a) a los pernos del carro (b).

CORTADORES DE DESPLAZAMIENTO AJUSTABLES

(SI VIENEN EQUIPADOS)

Los cortadores de desplazamiento de nieve se instalan invertidos en la fábrica para los fines del transporte.

4. Afloje los dos pernos del carro (a) y las tuercas de mariposa (b) que sujetan cada cortador de desplazamiento de nieve a los lados de la caja de la barrena (Figura 48).

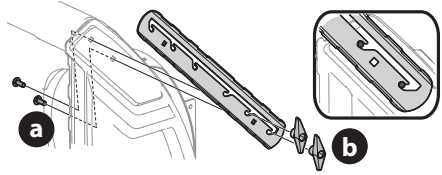


Figura 48

5. Deslice los cortadores de desplazamiento hasta la altura deseada.
6. Ajuste bien dos los pernos del carro y las tuercas de mariposa que sujetan cada cortador de desplazamiento de nieve a los lados de la caja de la barrena.

AJUSTE MANUAL DE LA INCLINACIÓN DEL CANAL

NOTA: Para modelos sin inclinación manual del canal, vea Controles y Funcionamiento en la página 45-46.

En modelos con inclinación manual del canal, se puede ajustar la distancia a la que se arroja la nieve mediante el cambio de ángulo del conjunto del canal. Para hacerlo:

1. Afloje la tuerca de mariposa que está del lado izquierdo del conjunto del canal superior (Figura 49).

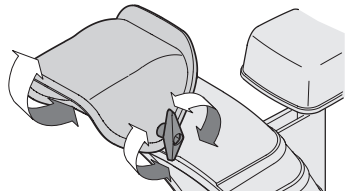


Figura 49

2. Gire el canal hacia arriba o hacia abajo antes de volver a ajustar la tuerca de mariposa.

CONTROL DEL CANAL LATERAL (SI VIENE EQUIPADO)

Si la espiral que está ubicada en la parte inferior de la varilla de control del canal no se engrana completamente con el conjunto del canal, significa que es necesario ajustar la ménsula. Para hacerlo:

1. Afloje las dos tuercas (a) que sujetan la ménsula del canal y cambie su posición ligeramente (Figura 50).
2. Vuelva a ajustar las tuercas.

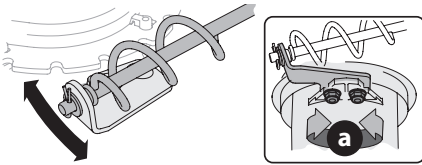


Figura 50

CONTROL DEL CANAL SUPERIOR (SI VIENE EQUIPADO)

Si el canal se mueve durante el funcionamiento, se puede ajustar la precarga del canal para lo que se debe ajustar la tuerca hexagonal que está en el frente del cabezal de control del canal.

1. A fin de aumentar la precarga, ajuste la tuerca hexagonal (a) en el sentido de las agujas del reloj con intervalos de $\frac{1}{4}$ de giro. Se deberá mantener fija la varilla de control del canal (b) mientras se ajusta la tuerca (Figura 51).

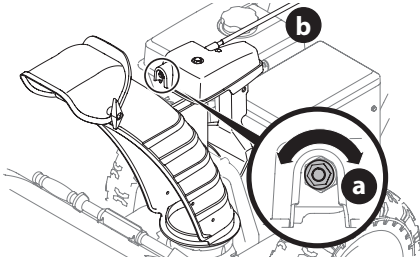


Figura 51

2. Si resulta difícil girar la varilla de control del canal, reduzca la precarga para lo que debe aflojar la tuerca hexagonal en el sentido contrario a las agujas del reloj con intervalos de $\frac{1}{4}$ de giro.

CONTROL DEL CANAL DE 2 O 4 DIRECCIONES (SI VIENE EQUIPADO)

Para ajustar la varilla de control del canal a fin de aumentar el enganche en el control del panel de la manija, proceda de la siguiente manera:

1. Extraiga el broche de horquilla (a) del orificio más cercano al conjunto del canal en el cabezal de control del canal.
2. Retire la varilla de control del canal hasta que el orificio de la misma quede alineado con el segundo orificio del cabezal de control del canal (Figura 52).

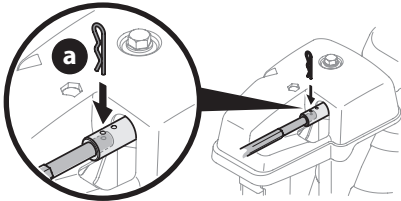


Figura 52

3. Vuelva a insertar el broche de horquilla (a) a través de este orificio y de la varilla de control del canal.

PLACA DE RASPADO AJUSTABLE (SI VIENE EQUIPADA)

1. Deje el motor en marcha hasta que se acabe el combustible. No intente verter combustible del motor. Extraiga la llave de seguridad o desconecte el cable de la bujía.
2. Gire con cuidado el soplador de nieve hacia arriba y hacia adelante de manera que quede apoyado por delante de la caja de la barrena.
3. Afloje los pernos posteriores de las zapatas (a) a ambos lados de la caja de la barrena y extraiga los pernos del carro (b) y las tuercas hexagonales (c) que sujetan la placa de raspado (d) a la parte inferior de la caja de la barrena (Figura 53).

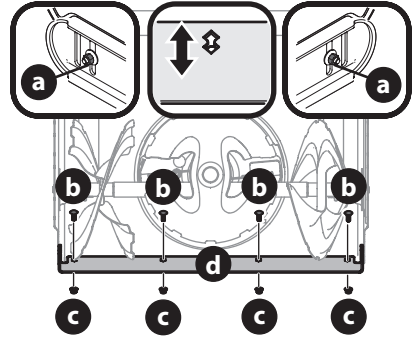


Figura 53

NOTA: Se muestra un modelo de 3 etapas.

4. Ajuste la placa de raspado a una de las 2 posiciones de montaje. Vuelva a instalar y ajuste todos los pernos del carro, tuercas y fijadores de las zapatas antideslizantes que extrajo en el Paso 3 (Figura 53).
5. Vuelva a ajustar las zapatas antideslizantes. Vea las Zapatas Antideslizantes en la página 45.

CONTROL DE LA BARRENA

⚠ ADVERTENCIA

Antes de operar la unidad, lea atentamente y cumpla todas las instrucciones que aparecen a continuación. Realice todos los ajustes para verificar que su soplador de nieve está operando con seguridad y correctamente.

1. Consulte la sección Controles y Funcionamiento en la página 50 para conocer la ubicación de la palanca de control de la barrena y controle el ajuste de la siguiente manera: Cuando se suelta la palanca de control de la barrena y está en posición desengranada "UP" (arriba), el cable debe tener muy poco juego. NO debe estar tenso.
2. En un área bien ventilada, encienda el motor. Consulte el Manual del Operador del Motor.
3. Parado en la posición del operador (detrás de las manijas), oprima la palanca de control de la barrena para engranar esta última.

AJUSTES

- Deje la barrena engranada durante aproximadamente diez (10) segundos antes de soltar la palanca de control de la misma. Repita esta operación varias veces.
- Con la palanca de control de la barrena en la posición desengranada "hacia arriba", camine hacia el frente de la máquina.
- Confirme que la barrena ha dejado de girar por completo y no muestra NINGÚN signo de movimiento. Si la barrena muestra ALGÚN signo de rotación, apague el motor de inmediato, extraiga la llave de seguridad o desconecte el cable de la bujía. Espere a que TODAS las piezas móviles se detengan antes de volver a ajustar la palanca de control de la barrena.
- Para volver a ajustar el cable de control de la barrena, afloje el tornillo hexagonal superior (a) (Figura 54).

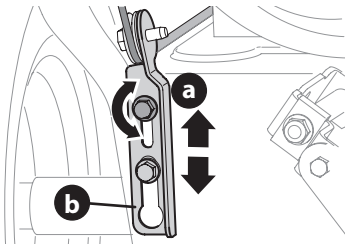


Figura 54

- Ubique la ménsula de control de la barrena (b) hacia arriba para que el cable esté más flojo o hacia abajo para aumentar la tensión (Figura 54).
- Vuelva a ajustar el tornillo hexagonal superior/posterior (a).
- Repita los pasos 1-6 anteriores para verificar que se ha logrado el ajuste adecuado.

CABLE DE CAMBIOS (SI VIENE EQUIPADO)

Si no se puede lograr la gama completa de velocidades (marcha adelante y atrás), ajuste el cable de cambios de la siguiente manera:

- Coloque la palanca de cambios en la posición más rápida de marcha adelante.
- Afloje la tuerca hexagonal (a) de la ménsula de posicionamiento del cable de cambios (b) (Figura 55).
- Gire la ménsula hacia abajo para reducir el juego del cable.
- Vuelva a ajustar la tuerca hexagonal.
- En caso de que sean necesarios otros ajustes, mueva el cable de cambios a uno de los orificios alternos de la ménsula de posicionamiento del cable de cambios.

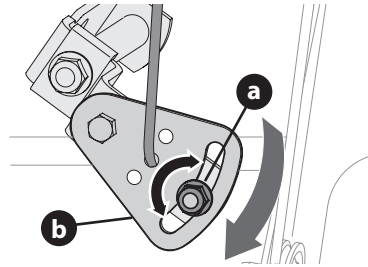


Figura 55

VARILLA DE CAMBIOS (SI VIENE EQUIPADA)

Si no se puede lograr la gama completa de velocidades (marcha adelante y atrás), ajuste la varilla de cambios de la siguiente manera:

- Coloque la palanca de cambios en la posición más rápida de marcha adelante.
- Extraiga el pasador de chaveta (a) y la arandela (b) de la férula de ajuste de la varilla de cambios y extraígalas de la palanca de cambios (Figura 56).

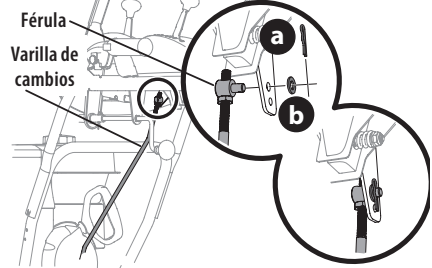


Figura 56

- Asegúrese de que la palanca de cambios de la parte trasera de la transmisión esté girada hacia abajo hasta el máximo de rotación posible. Consulte la Figura 57, Detalle "A" para los modelos sin transmisión hidrostática o el Detalle "B" para los modelos con transmisión hidrostática.

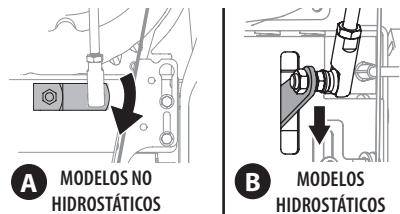


Figura 57

- Gire la férula hacia arriba o hacia abajo en la varilla de cambios según sea necesario hasta que quede alineada con el orificio superior de la palanca de cambios (Figura 57, recuadro).
- Inserte la férula en el orificio superior y fíjela con la arandela y el pasador de chaveta.

CONTROL DE LA TRANSMISIÓN (MODELOS NO HIDROSTÁTICOS) (SI VIENE EQUIPADO)

Cuando se suelta la palanca de control de la transmisión y está en posición desactivada "UP" (arriba), el cable debe tener muy poco juego. NO debe estar tenso.

NOTA: Si el cable de la transmisión tiene demasiado juego o si la transmisión de la unidad se desactiva intermitentemente durante el funcionamiento, es posible que se deba ajustar el cable.

Compruebe el ajuste de la palanca de control de la transmisión de la siguiente manera:

1. Después de soltar la palanca de control de la transmisión, empuje suavemente el soplador de nieve hacia adelante. Debería avanzar sin problemas.
2. Engrane la palanca de control de la transmisión e intente empujar suavemente el soplador de nieve hacia adelante. Las ruedas no deberían rotar ni avanzar libremente.
3. Si viene equipada con una palanca de cambios, después de soltar la palanca de control de la transmisión, mueva la palanca de cambios hacia atrás y adelante entre la posición R2 y la posición F6 varias veces. No debería haber resistencia en la palanca de cambios.

Si falla cualquiera de las pruebas anteriores, es necesario ajustar el cable de la transmisión. Proceda de la siguiente manera:

4. Apague el motor, extraiga la llave de seguridad o desconecte el cable de la bujía. Consulte el Manual del Operador del Motor.
5. Afloje el tornillo hexagonal inferior (a) de la ménsula del cable de la transmisión (Figura 58).

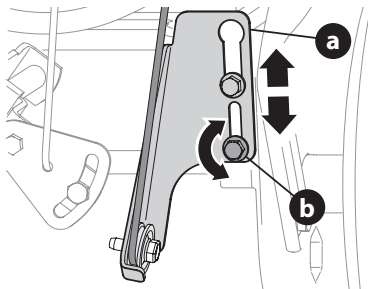


Figura 58

6. Ubique la ménsula del cable de transmisión hacia arriba para dar más juego (o hacia abajo para aumentar la tensión del cable).
7. Vuelva a ajustar el tornillo hexagonal inferior.
8. Compruebe el ajuste de la palanca de control de la transmisión como se explicó anteriormente para verificar que se haya logrado el ajuste adecuado.

CONTROL DE LA TRANSMISIÓN (MODELOS HIDROSTÁTICOS) (SI VIENE EQUIPADO)

Cuando se suelta la palanca de control de la transmisión y está en posición desactivada "UP" (arriba), el cable debe tener muy poco juego. NO debe estar tenso.

NOTA: Si el cable de la transmisión tiene demasiado juego o si la transmisión de la unidad se desactiva intermitentemente durante el funcionamiento, es posible que se deba ajustar el cable.

1. Apague el motor, extraiga la llave de seguridad o desconecte el cable de la bujía. Consulte el Manual del Operador del Motor.
2. Afloje el tornillo hexagonal superior (a) de la ménsula del cable de la transmisión (b) (Figura 59).

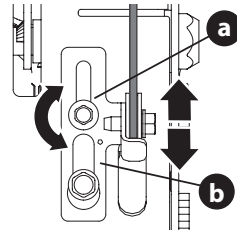


Figura 59

3. Ubique el soporte hacia arriba para dar más juego (o hacia abajo para aumentar la tensión del cable).
4. Vuelva a ajustar el tornillo hexagonal superior.
5. Verifique que el cable de control de la transmisión no tenga un juego excesivo. Si es necesario, repita los Pasos 2-4 para volver a ajustar el control de la transmisión.

Carga de combustible y aceite

Consulte el Manual del Operador del Motor para obtener información sobre cómo cargar combustible y aceite.

FUNCIONAMIENTO

Características del Modelo

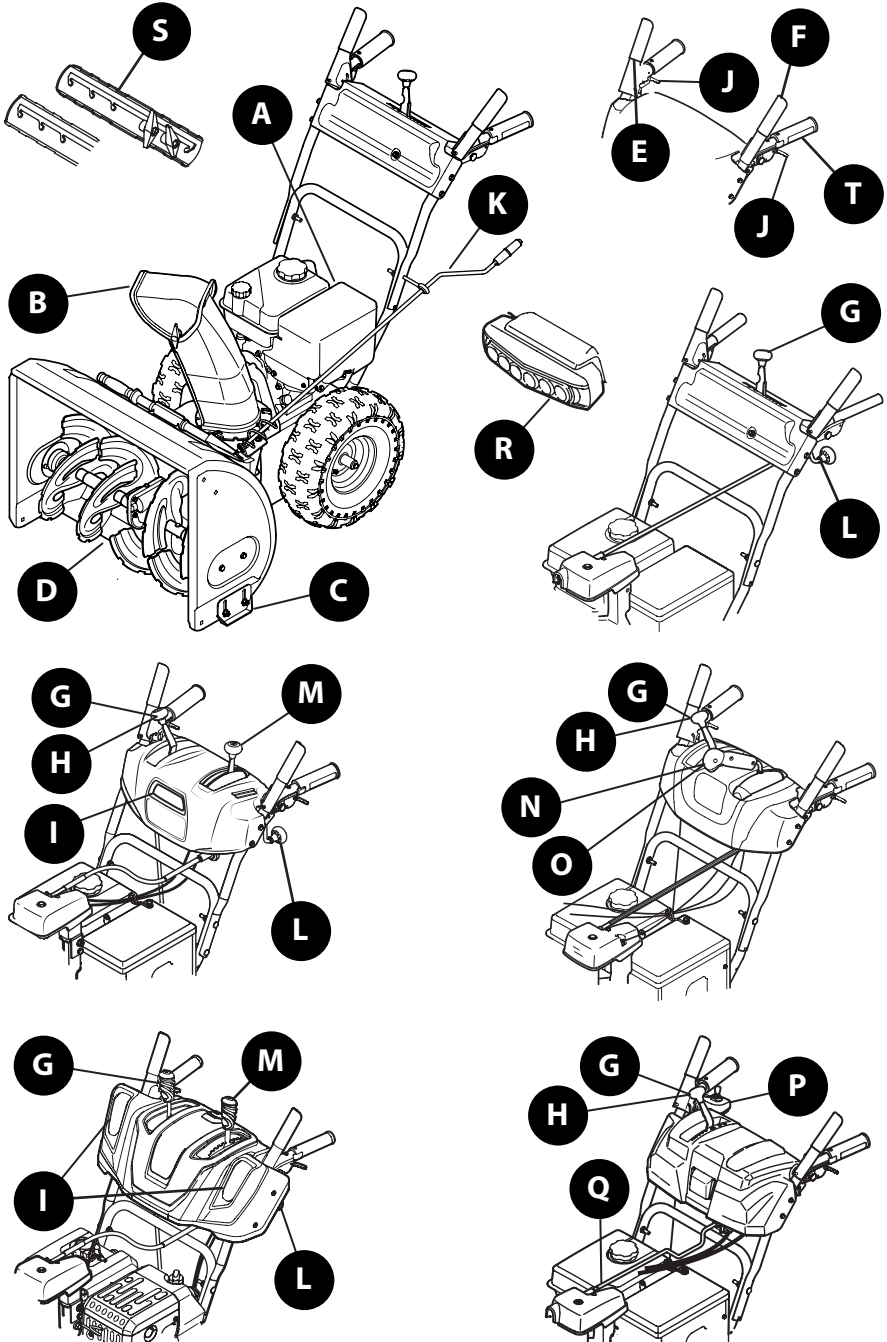


Figura 60

FUNCIONAMIENTO

CARACTERÍSTICAS

Los controles y las características del soplador de nieve se describen a continuación y podrían ilustrarse en la Figura 60.

NOTA: Este Manual del Operador corresponde a varios modelos. Las características del soplador de nieve pueden variar según los modelos. No todas las características en este manual se aplican a todos los modelos de soplador de nieve y la máquina que se ilustra aquí puede diferir de la suya.

NOTA: Todas las referencias a los lados izquierdo o derecho del soplador de nieve son desde la posición del operador. En caso de que hubiese una excepción, se especificará claramente.

A. CONTROLES DEL MOTOR

Consulte el Manual del Operador del Motor para conocer la ubicación y la descripción de los controles del motor correspondientes a su motor.

B. CONJUNTO DEL CANAL

La nieve recogida en el interior de las cajas de la barrena y del impulsor se descarga por el conjunto del canal.

C. ZAPATAS ANTIDESLIZANTES

Las zapatas antideslizantes proporcionan la separación correcta de la placa de raspado para las condiciones de la superficie y la nieve a quitar. Ajuste hacia arriba si la nieve está muy compactada. Ajústelas hacia abajo si usa la máquina sobre grava o superficies con piedras trituradas. Consulte la sección Ajuste de las zapatas antideslizantes en la página page 45.

D. BARRENAS

Cuando están engranadas, las barrenas giran y recogen la nieve hacia el interior de las cajas de la barrena y del impulsor.

E. PALANCA DE CONTROL DE LA TRANSMISIÓN / TRABA DEL EMBRAGUE DE LA BARRENA* (SI VIENE EQUIPADA)

La palanca de control de la transmisión está ubicada en la manija derecha. Oprima la palanca de control contra la manija para activar la transmisión de las ruedas. Suéltela para que se detenga (Figura 61).



Figura 61

NOTA: Suelte siempre la palanca de control de la transmisión antes de cambiar de velocidad en todos los modelos excepto los modelos con transmisión hidrostática. De no proceder así, aumentará el desgaste del sistema de transmisión de su máquina.

*En ciertos modelos, la palanca de control de la transmisión también traba la palanca de control de la barrena de manera que se pueda operar el control del canal sin interrumpir el proceso de soplado de nieve. Si la palanca de la barrena se activa simultáneamente con la palanca de transmisión, el operador puede soltar la palanca de control de la barrena (en la manija izquierda) y las barrenas continuarán activadas. Suelte ambas palancas de control para detener tanto las barrenas como la transmisión de las ruedas.

F. PALANCA DE CONTROL DE LA BARRENA (SI VIENE EQUIPADO)

La palanca de control de la barrena está ubicada en la manija izquierda. Apriete la palanca de control contra la manija para activar las barrenas y empezar a soplar nieve. Suéltela para que se detenga (Figura 62).

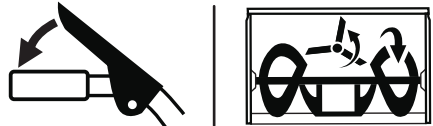


Figura 62

IMPORTANTE: Consulte la Información de Control de la Barrena en la sección Montaje y Configuración antes de hacer funcionar su soplador de nieve. Lea y cumpla todas las instrucciones con cuidado, y realice todos los ajustes para verificar que su soplador de nieve está funcionando de forma segura y adecuada.

G. PALANCA DE CAMBIOS (TRANSMISIÓN DE 6 VELOCIDADES) (SI VIENE EQUIPADA)

La palanca de cambios está ubicada en el panel de la manija y se utiliza para determinar la velocidad absoluta y la dirección de desplazamiento.

• Marcha Adelante (Forward)

Hay seis velocidades de marcha adelante (F). La posición uno (1) es la más lenta y la posición seis (6) es la más rápida.

• Marcha Atrás (Reverse)

Hay dos velocidades de marcha atrás (R). La posición uno (1) es la más lenta, y la posición dos (2) es la más rápida.

H. PALANCA DE CAMBIOS (TRANSMISIÓN HIDROSTÁTICA) (SI VIENE EQUIPADA)

La palanca de cambios está ubicada en el panel de la manija y se utiliza para determinar la velocidad absoluta y la dirección de desplazamiento. Cuanto más se mueva la palanca hacia adelante, más rápido se desplazará. Si la lleva más allá de la posición de retén hasta la dirección marcha atrás, el soplador de nieve se desplazará marcha atrás.



I. FARO (SIMPLE O DOBLE) (SI VIENE EQUIPADO)

Los faros ubicados sobre el frente del panel de la manija se encienden automáticamente al encender el motor.

FUNCIONAMIENTO

J. CONTROLES DE LA DIRECCIÓN (SI VIENEN EQUIPADOS)

Los controles de la dirección de las ruedas izquierda y derecha se ubican en la parte inferior de las manijas (Figura 63).

¡IMPORTANTE: Modelos con Transmisión Hidrostática - Cuando mueva el soplador de nieve sin encender el motor, oprima los controles derecho e izquierdo para desengranar la transmisión.

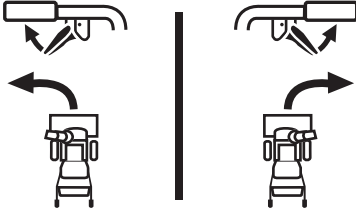


Figura 63

- Oprima el control derecho para girar a la derecha.
- Oprima el control izquierdo para girar a la izquierda.

⚠ PRECAUCIÓN

Opre el soplador de nieve en espacios abiertos hasta que se familiarice con estos controles.

K. CONTROL DE ROTACIÓN DEL CANAL CON MONTAJE LATERAL (SI VIENE EQUIPADO)

El control de rotación del canal con montaje lateral está ubicado del lado izquierdo del soplador de nieve. Para cambiar la dirección hacia la cual se arroja la nieve, gire el control (Figura 64).

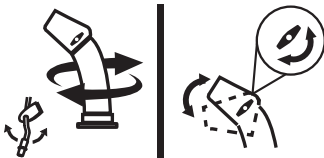


Figura 64

L. CONTROL DE ROTACIÓN DEL CANAL SUPERIOR (SI VIENE EQUIPADO)

El control de rotación del canal superior se encuentra en la parte posterior del soplador de nieve debajo del panel de la manija. Para cambiar la dirección hacia la cual se arroja la nieve, gire el control (Figura 65).

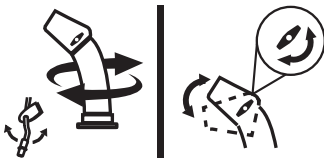


Figura 65

M. CONTROL DE INCLINACIÓN DEL CANAL (SI VIENE EQUIPADO)

El control de inclinación del canal de dos direcciones se ubica del lado izquierdo del panel de instrumentos y se utiliza para subir y bajar el canal superior, lo cual cambiará la distancia a la que se arroja la nieve.

Para subir o bajar el canal superior, mueva la palanca hacia adelante o atrás (Figura 66).

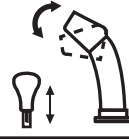
Control de Inclinación del Canal de Dos Direcciones

- **Para reducir la distancia a la que se arroja la nieve:** Mueva la palanca hacia adelante para inclinar el canal superior hacia abajo (Figura 66).
- **Para aumentar la distancia a la que se arroja la nieve:** Mueva la palanca hacia atrás para inclinar el canal superior hacia arriba (Figura 66).

Control de Inclinación del Canal Dividido de Dos Direcciones

- **Para reducir la distancia a la que se arroja la nieve:** Desengrane la palanca de la configuración de canal actual. Mueva la palanca hacia adelante para inclinar el canal superior hacia abajo hasta la posición deseada (a) (Figura 66).
- **Para aumentar la distancia a la que se arroja la nieve:** Desengrane la palanca de la configuración de canal actual. Mueva la palanca hacia atrás para inclinar el canal superior hacia arriba hasta la posición deseada (b) (Figura 66).

CONTROL DE INCLINACIÓN DEL CANAL DE DOS DIRECCIONES



CONTROL DE INCLINACIÓN DEL CANAL DIVIDIDO DE DOS DIRECCIONES



Figura 66

FUNCIONAMIENTO

N. CONTROL DE ROTACIÓN DEL CANAL DE 2 DIRECCIONES (SI VIENE EQUIPADO)

El control de rotación del canal de 2 direcciones está ubicado del lado izquierdo del panel de instrumentos.

- Para cambiar la dirección en la que se arroja la nieve, oprima el botón del control y gírelo hacia la derecha o izquierda (Figura 67).

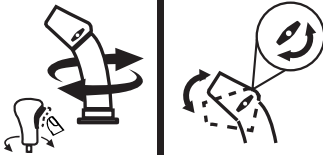


Figura 67

O. CONTROL DE ROTACIÓN DEL CANAL DE 4 DIRECCIONES (SI VIENE EQUIPADO)

El control de rotación del canal de 4 direcciones está ubicado del lado izquierdo del panel de instrumentos.

- Para cambiar la dirección en la que se arroja la nieve, oprima el botón del control y gírelo hacia la derecha o izquierda (Figura 68).
- Para cambiar la distancia a la que se arroja la nieve, mueva el control hacia adelante o hacia atrás.

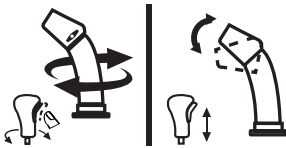


Figura 68

P. CONTROL DE ROTACIÓN E INCLINACIÓN ELÉCTRICO DEL CANAL (PALANCA DE CONTROL) (SI VIENE EQUIPADO)

El control eléctrico del canal está ubicado del lado derecho del panel de instrumentos (Figura 69).

- Para cambiar la dirección en la que se arroja la nieve, mueva la palanca de control hacia la derecha o hacia la izquierda.
- Para cambiar la distancia a la que se arroja la nieve, gire la palanca de control hacia adelante o hacia atrás.

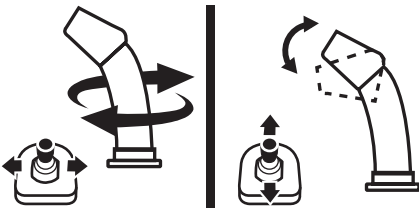


Figura 69

Q. CONTROL DE ROTACIÓN MANUAL DEL CANAL Y CONTROL ELÉCTRICO DEL CANAL (PALANCA DE CONTROL) (SI VIENEN EQUIPADOS)

Siga este procedimiento para cambiar manualmente la dirección del canal en modelos equipados con un control eléctrico del canal (palanca de control) y varilla de control manual de rotación del canal solamente (Figura 60).

1. Retire el pasador de chaveta (a) de cualquiera de los orificios más alejados del conjunto del canal sobre el cabezal de control del canal (Figura 70).

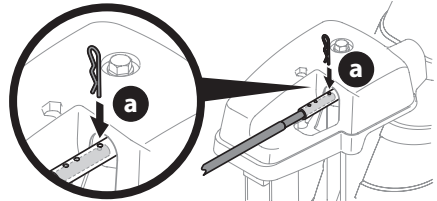


Figura 70

2. Empuje la varilla de control del canal hasta que el orificio de la misma quede alineado con el tercer orificio del cabezal de control del canal (Figura 70).
3. Vuelva a insertar el pasador de chaveta (a) a través de este orificio y la varilla de control del canal (Figura 70).
4. Tome la porción indentada de la varilla de control del canal y gire el conjunto del canal manualmente hacia la derecha o hacia la izquierda (Figura 71).

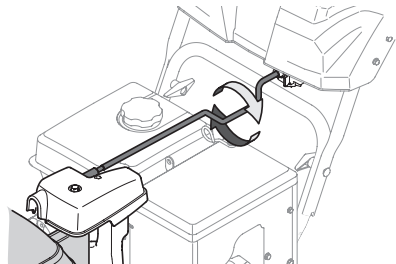


Figura 71

R. BARRA DE ILUMINACIÓN LED (SI VIENE EQUIPADA)

El faro LED está ubicado sobre la caja de la barrena y se enciende automáticamente cuando arranca el motor.

S. CORTADORES DE DESPLAZAMIENTO DE NIEVE (SI VIENEN EQUIPADOS)

Los cortadores de desplazamiento de nieve están diseñados para ser utilizados en nieve profunda. Su uso es opcional en condiciones normales de nieve. Maniobre el soplador de nieve de manera que los cortadores penetren una alta acumulación de nieve para ayudar a que la nieve caiga dentro de las barrenas.

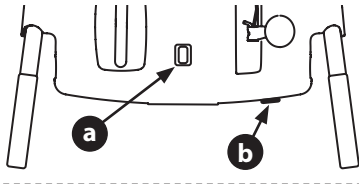
FUNCIONAMIENTO

T. AGARRES TÉRMICOS (SI VIENEN EQUIPADOS)

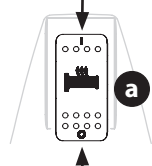
⚠ PRECAUCIÓN

Se recomienda usar guantes para utilizar el agarre térmico. Si los agarres térmicos se calientan demasiado, apáguelos.

Para activar los agarres térmicos, mueva el interruptor que se encuentra en la parte superior (a) o en la parte posterior (b) del panel de instrumentos a la posición ON (Figura 72). Para apagar los agarres térmicos, mueva el interruptor a la posición OFF.



Interruptor ENCENDIDO



Interruptor APAGADO

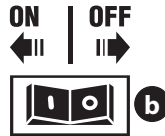


Figura 72

Arranque y detención del motor

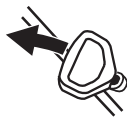
⚠ ADVERTENCIA

Mantenga siempre las manos y los pies alejados de las partes móviles. No utilice fluidos comprimidos para arrancar. Los vapores son inflamables.

Consulte el Manual del Operador del Motor para obtener instrucciones sobre cómo arrancar y para el motor (Figura 73).



Encendido Eléctrico



Encendido Pulsador

Figura 73

PROCEDIMIENTO PARA ENGRANAR LA TRANSMISIÓN

5. Con el control del regulador en posición rápida (conejo), mueva la palanca de cambios a una de las seis posiciones de marcha adelante (F) o de las dos posiciones de marcha atrás (R) en modelos con 6 velocidades o a la posición deseada en modelos hidrostáticos. Seleccione la velocidad adecuada para el estado de la nieve existente y una velocidad con la que se sienta cómodo.
6. Oprima la palanca de control de la transmisión contra la manija y el soplador de nieve se moverá. Suéltela para que se detenga.

PROCEDIMIENTO PARA ENGRANAR LAS BARRENAS

Para engranar las barrenas, apriete la palanca de control de la barrena contra la manija izquierda. Suéltela para que se detenga.

PROCEDIMIENTO DE DIRECCIÓN (SI VIENE EQUIPADA)

Con la palanca de control de la transmisión engranada, presione el control de dirección derecho para girar a la derecha, o presione el control de dirección izquierdo para girar a la izquierda.

⚠ PRECAUCIÓN

Use el soplador de nieve en lugares abiertos y a velocidades lentas hasta que se haya familiarizado con el control de la transmisión y se sienta cómodo operando los controles de la dirección.

Procedimiento para eliminar la obstrucción de un conjunto de canal tapado

⚠ ADVERTENCIA

Nunca use sus manos para desobstruir un montaje de canal tapado. Antes de proceder a desobstruir, apague el motor, extraiga la llave de seguridad o desconecte el cable de la bujía y permanezca detrás de las manijas hasta que todas las piezas móviles se hayan detenido.

La herramienta de limpieza del canal está sujeta convenientemente a la parte posterior de la caja de la barrena con un pasador de ensamblado. Si se acumulan nieve y hielo en el conjunto del canal durante el funcionamiento, proceda como se indica a continuación para despejar de manera segura el conjunto del canal y la abertura del canal:

7. Suelte la palanca de control de la barrena y la palanca de control de la transmisión y rote el conjunto del canal hacia la izquierda.
8. ¡APAGUE EL MOTOR! Extraiga la llave de seguridad o desconecte el cable de la bujía. Consulte el Manual del Operador del Motor.
9. Saque la herramienta de limpieza del pasador que la sujeta a la parte posterior de la caja de la barrena.

FUNCIONAMIENTO

10. Use el extremo con forma de pala de la herramienta de limpieza para destrabar y recoger la nieve y el hielo que se hayan acumulado en el interior y cerca del conjunto del canal. Utilice siempre la herramienta de limpieza (Nº de pieza 931-2643), no use las manos. Consulte el suplemento que se adjunta por separado para obtener la información que se requiere para pedir la herramienta de limpieza, en caso de haberla extraviado o que esté dañada. (Figura 74).
11. Vuelva a sujetar la herramienta de limpieza al pasador de ensamblado ubicado en la parte posterior de la caja de la barrena, inserte de nuevo la llave de seguridad o conecte el cable de la bujía y encienda el motor.
12. Parado en la posición del operador (detrás del soplador de nieve), engrane la palanca de control de la barrena durante unos segundos para eliminar la nieve o el hielo que hayan quedado en el conjunto del canal.

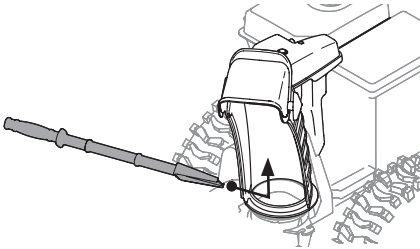


Figura 74

Reemplazo de los pasadores de cuchilla

⚠ PRECAUCIÓN

NUNCA reemplace los pasadores de cuchilla de la barrena o del acelerador central con nada que no sea OEM Parte No. 738-04124A (pasadores de cuchilla de repuesto de cabeza redonda), 738-05273 (pasadores de cuchilla de repuesto de cabeza redonda, color negro) o 738-06654 (pasadores de cuchilla de repuesto de cabeza hexagonal). Cualquier daño que sufra el engranaje de la barrena o cualquier otro componente por dejar de hacerlo anterior, NO estará cubierto por la garantía de su soplador de nieve.

⚠ ADVERTENCIA

Apague el motor, extraiga la llave de seguridad o desconecte el cable de la bujía antes de reemplazar los pasadores de cuchilla.

Las barrenas están sujetas al eje espiral con pasadores de cuchilla (a, b o c) y pasadores de chaveta (d). El soplador de nieve ha sido diseñado para que los pasadores se quiebren si la barrena golpea un objeto extraño o un trozo de hielo. Si las barrenas no giran, verifique si los pasadores se han quebrado (Figura 75).

IMPORTANTE: SIEMPRE use el pasador de cuchilla de repuesto OEM correcto.

PASADORES DE CUCHILLA DE REPUESTO PARA EL SOPLADOR DE NIEVE DE 2 ETAPAS

- La barrena está sujeta al eje espiral con pasadores de cuchilla de cabeza redonda (a) - OEM Parte No. 738-04124A.

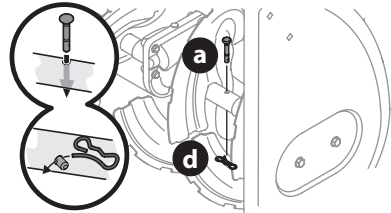


PASADORES DE CUCHILLA DE REPUESTO PARA EL SOPLADOR DE NIEVE DE 3 ETAPAS

- Las barrenas laterales están sujetas al eje espiral con pasadores de cuchilla de cabeza redonda, color negro (b) - OEM parte número 738-05273.
- Las barrenas del acelerador central están sujetas al eje espiral con pasadores de cuchilla de cabeza hexagonal (c) - OEM parte número 738-06654.



Sopladores de Nieve de 2 Etapas



Sopladores de Nieve de 3 Etapas

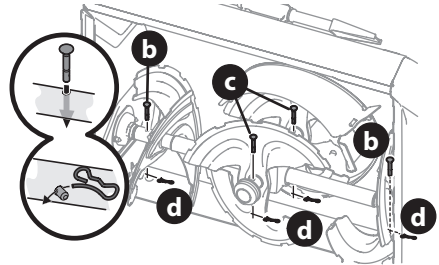


Figura 75

ADVERTENCIA

Antes de realizar tareas de mantenimiento, reparación o inspección en el soplador de nieve, desengrane la palanca de control de la barrena. Detenga el motor, extraiga la llave de seguridad o desconecte el cable de la bujía para evitar que se encienda accidentalmente.

Solución de Problemas

MOTOR

1. Motor no enciende, funciona errático, salta (vacila) o marcha mal en vacío. Consulte el Manual del Operador del Motor.
 - Consulte la sección de solución de problemas y mantenimiento del motor en el Manual del Operador del Motor.

DEMASIADA VIBRACIÓN

1. Hay piezas flojas o dañadas.
 - Apague el motor de inmediato, extraiga la llave de seguridad o desconecte el cable de la bujía. Controle si la máquina está dañada. Ajuste todos los pernos y las tuercas. Realice las reparaciones necesarias. Si el problema persiste, comuníquese con un centro de servicio autorizado.

LA UNIDAD NO SE AUTOIMPULSA

1. El cable del control de transmisión necesita un ajuste.
 - Ajuste el cable del control de la transmisión. Consulte la sección Control de la Transmisión en la página 48.
2. La correa de transmisión está floja o dañada.
 - Reemplace la correa de transmisión. Comuníquese con un centro de servicio autorizado.
3. La rueda de fricción está desgastada.
 - Reemplace la rueda de fricción. Consulte la sección Servicio en la página 58.

LA UNIDAD NO DESCARGA LA NIEVE.

1. El conjunto del canal está tapado.
 - Apague el motor de inmediato, extraiga la llave de seguridad o desconecte el cable de la bujía. Consulte el Manual del Operador del Motor. Limpie el conjunto del canal y el interior de la caja de la barrena con la herramienta de limpieza. Consulte la sección Procedimiento para eliminar la obstrucción de un conjunto de canal tapado en la página 53.
2. Hay un objeto extraño en la barrena.
 - Apague el motor de inmediato, extraiga la llave de seguridad o desconecte el cable de la bujía. Consulte el Manual del Operador del Motor. Retire el objeto de la barrena con la herramienta de limpieza. Consulte la sección Procedimiento para eliminar la obstrucción de un conjunto de canal tapado en la página 53.

3. El cable del control de la barrena necesita un ajuste.
 - Consulte la sección Control del Canal Superior (si viene equipado) en la página 46.
4. La correa de la barrena está floja o dañada.
 - Consulte la sección Reemplazo de la correa de la barrena en la página 57.
5. El o los pasadores de cuchilla está(n) quebrado(s).
 - Consulte la sección Reemplazo de los pasadores de cuchilla en la página 54.

EL CANAL NO ROTA FÁCILMENTE

1. El canal está mal ensamblado.
 - Desarme el control del canal y vuelva a armarlo como se indica en la sección Montaje y Configuración.

EMPUJA EN VEZ DE ARROJAR NIEVE

1. Velocidad absoluta baja/lenta en nieve húmeda/semi derretida de 1-3" de profundidad.
 - Aumente la velocidad absoluta y utilice siempre el motor del soplador de nieve con la aceleración MÁXIMA. Consulte la sección Procedimiento para eliminar la obstrucción de un conjunto de canal tapado en la página 53.
2. El o los pasadores de cuchilla está(n) quebrado(s).
 - Consulte la sección Reemplazo de los pasadores de cuchilla en la página 54.

EL CONTROL DEL CANAL SUPERIOR NO QUEDA FIJO MIENTRAS ARROJA NIEVE

1. Precarga insuficiente aplicada al control del canal.
 - Consulte la sección Control del Canal Superior (si viene equipado) en la página 46.

Mantenimiento

MOTOR

Consulte el Manual del Operador del Motor.

PRESIÓN DE LOS NEUMÁTICOS

Consulte la sección Montaje y Configuración (página 45) para obtener información sobre la presión de los neumáticos.

PLACA DE RASPADO Y ZAPATAS ANTIDESLIZANTES

La placa de raspado y las zapatas antideslizantes ubicadas en la base del soplador de nieve están sujetas a desgaste. Debe controlarlas periódicamente y reemplazarlas cuando sea necesario.

NOTA: Las zapatas antideslizantes de lujo (en determinados modelos) tienen dos bordes de desgaste. Cuando un lado se desgasta, se las puede rotar 180° para usar el otro borde.

SERVICIO Y MANTENIMIENTO

Para retirar las zapatas antideslizantes (se muestran las de lujo):

1. Extraiga los cuatro pernos del carro (a) y las tuercas hexagonales con reborde (b) y las arandelas planas (c) que las sujetan a la caja.
2. Gire y vuelva a montar las zapatas antideslizantes nuevas con los cuatro pernos del carro (a) (dos a cada lado) y las tuercas hexagonales con reborde (b) y las arandelas planas (c) (Figura 76).

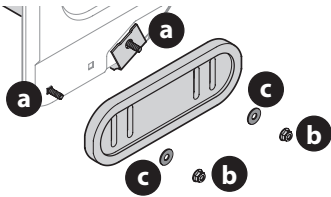


Figura 76

Para retirar la placa de raspado:

1. Deje el motor en marcha hasta que se acabe el combustible. No intente verter combustible del motor. Extraiga la llave de seguridad o desconecte el cable de la bujía.
2. Gire con cuidado el soplador de nieve hacia arriba y hacia adelante de manera que quede apoyado sobre la caja de la barrena.
3. Extraiga los pernos del carro (a) y las tuercas hexagonales (b) que la sujetan a la caja de la barrena (Figura 77).

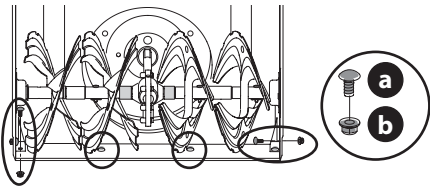


Figura 77

4. Monte la placa de raspado nueva, asegurándose de que las cabezas de los pernos del carro se encuentren del lado interior de la caja. Apriete bien (Figura 77).
5. Si fuese necesario ajustar la placa de raspado, consulte la sección Reemplazo de los pasadores de cuchilla en la página 54.

ALMACENAMIENTO FUERA DE TEMPORADA

Si el soplador de nieve no se usará hasta la próxima temporada, siga las instrucciones de almacenamiento de abajo.

1. Haga funcionar el motor hasta que el depósito de combustible quede vacío y el motor se detenga debido a la falta de combustible. No intente verter combustible del motor.

NOTA: Consulte el Manual del Operador del Motor para obtener información sobre cómo almacenar el motor.

2. Lubrique la máquina como se indica en la página 56.

3. Almacénela en un lugar limpio y seco.
4. Si almacena el soplador de nieve en un lugar mal ventilado, debe realizarle un tratamiento antioxidante usando un aceite ligero o silicona para cubrir el soplador de nieve con un revestimiento protector.
5. Limpie el exterior del motor y del soplador de nieve.

IMPORTANTE: Cuando se almacena la unidad o cuando no se le está realizando un servicio, debe permanecer en posición vertical con ambas ruedas y la caja de la barrena sobre el suelo.

Lubricación

RUEDAS

Retire ambas ruedas al menos una vez cada temporada. Limpie y recubra los ejes con una grasa para automotores multiuso antes de volver a colocar las ruedas.

CONTROL DE ROTACIÓN DEL CANAL CON MONTAJE LATERAL (SI VIENE EQUIPADO)

Lubrique el manguito del perno de ojo y la espiral con aceite 3-en-1 una vez por temporada.

MODELOS NO HIDROSTÁTICOS (SI VIENE EQUIPADO)

El eje hexagonal de la rueda de fricción se debe lubricar al menos una vez por temporada o después de cada veinticinco (25) horas de funcionamiento.

1. Deje el motor en marcha hasta que se acabe el combustible. Extraiga la llave de seguridad o desconecte el cable de la bujía.
2. Gire con cuidado el soplador de nieve hacia arriba y hacia adelante de manera que quede apoyado sobre la caja de la barrena.
3. Quite la cubierta del bastidor de la parte inferior extrayendo los tornillos autorroscantes (Figura 78).

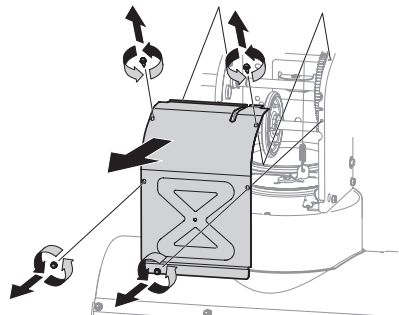


Figura 78

SERVICIO Y MANTENIMIENTO

4. Aplique una capa ligera del compuesto Bostik Regular Grade Never-Seez® al eje hexagonal (Figura 79).

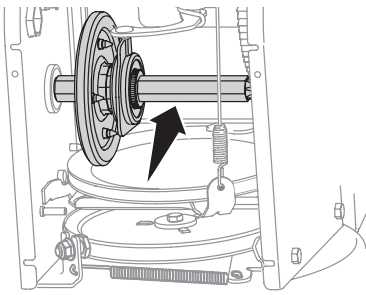


Figura 79

NOTA: Al lubricar el eje hexagonal, cuide que el lubricante no llegue a la placa de transmisión de aluminio o la rueda de fricción de goma. Ello afectará el sistema de transmisión. Limpie el lubricante excedente o derramado.

EJE DE LA BARRENA

Al menos una vez por temporada, quite los pasadores de cuchilla (a) y los pasadores de chaveta (b) del eje de la barrena. Rocíe lubricante en el interior del eje y alrededor de los separadores y los cojinetes bridados que se encuentran en ambos extremos del eje (Figura 80).

NOTA: Se muestran barrenas de tres etapas.

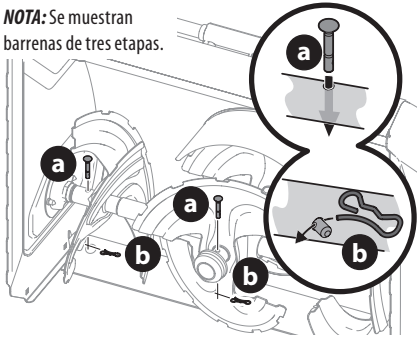


Figura 80

IMPORTANTE: En los modelos de 3 etapas, hay un pasador de cuchilla adicional en el acelerador trasero.

Servicio

REEMPLAZO DE LA CORREA DE LA BARRENA

Para extraer y cambiar la correa de la barrena, proceda de la siguiente manera:

1. Deje el motor en marcha hasta que se acabe el combustible. No intente verter combustible del motor. Extraiga la llave de seguridad o desconecte el cable de la bujía.
2. Saque la cubierta plástica de la correa que está en el frente del motor. Para ello saque los dos tornillos autorroscantes (a) (Figura 81).

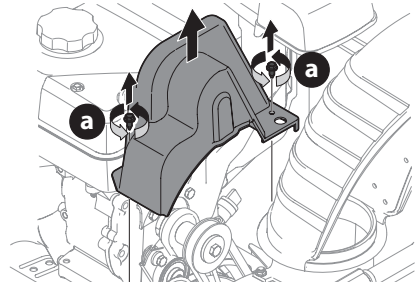


Figura 81

NOTA: En los modelos que están equipados con la barra de iluminación LED sobre la caja de la barrena, asegúrese de desenchufar el arnés de cables antes de extraer la cubierta de la correa (Figura 82).

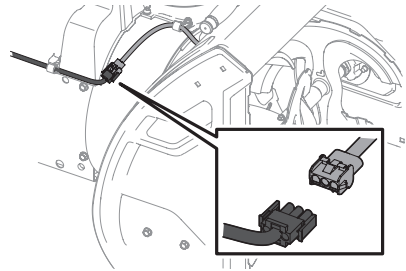


Figura 82

3. Haga rodar la correa de la barrena para sacarla de la polea del motor (Figura 83).

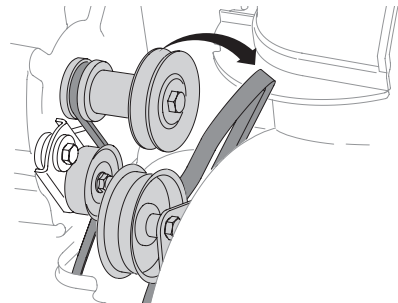
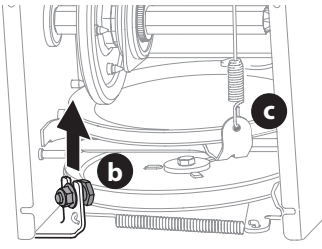


Figura 83

4. Gire con cuidado el soplador de nieve hacia arriba y hacia adelante de manera que quede apoyado sobre la caja de la barrena.
5. Quite la cubierta del bastidor de la parte inferior extrayendo los tornillos autorroscantes (Figura 78).
6. Afloje y extraiga el perno con reborde (b) que actúa como guardacorrea y desenganche el resorte (c) del bastidor (Figura 84).



NOTA: Se muestra unidad de velocidad variable.

Figura 84

7. Retire la correa de alrededor de la puleja de la barrena y deslice la misma entre la ménsula de soporte y la puleja de la barrena (Figura 85).

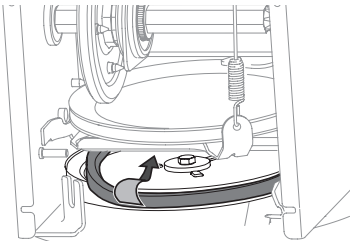


Figura 85

NOTA: Si se engrana el control de la barrena, se facilita quitar y volver a colocar la correa.

8. Para volver a colocar la correa de la barrena, siga las instrucciones en el orden inverso.

NOTA: Asegúrese de volver a colocar el perno con reborde (a) y conectar nuevamente el resorte al bastidor luego de colocar la correa de la barrena de repuesto (Figura 84).

9. Después de reemplazar la correa de la barrena, realice la prueba de control de la barrena que se describe en la sección Montaje y configuración (página 46).

REEMPLAZO DE LA CORREA DE LA TRANSMISIÓN

NOTA: Solicite al distribuidor de mantenimiento autorizado que efectúe el reemplazo de la correa de transmisión o comuníquese con el Servicio de Atención al Cliente.

INSPECCIÓN DE LA RUEDA DE FRICCIÓN (SERIES 500 Y 800 ORIENTABLES Y SERIE 600 DE VELOCIDAD ÚNICA Y NO ORIENTABLE)

Si el soplador de nieve no se mueve cuando la palanca de control de la transmisión está engranada, y si al realizar el ajuste del cable de control de la transmisión el problema no se corrige, es posible que deba reemplazar la rueda de fricción.

IMPORTANTE: Para cambiar la goma de la rueda de fricción, es necesario retirar varios componentes y se requieren herramientas especiales. Solicite al distribuidor de mantenimiento autorizado que efectúe el reemplazo de la goma de la rueda de fricción o comuníquese con el Servicio de Atención al Cliente.

Para inspeccionar la rueda de fricción, proceda de la siguiente manera:

1. Deje el motor en marcha hasta que se acabe el combustible. No intente verter combustible del motor. Extraiga la llave de seguridad o desconecte el cable de la bujía.
2. Gire con cuidado el soplador de nieve hacia arriba y hacia adelante de manera que quede apoyado sobre la caja de la barrena.
3. Quite la cubierta del bastidor de la parte inferior extrayendo los cuatro tornillos autorroscantes (Figura 78).
4. Examine la rueda de fricción a fin de detectar si presenta signos de desgaste o grietas.
5. Usando los cuatro tornillos autorroscantes, vuelva a instalar la cubierta del bastidor (Figura 78).
6. Solicite a su distribuidor de mantenimiento autorizado que efectúe el reemplazo de la goma de la rueda de fricción o comuníquese con el Servicio de Atención al Cliente.

EXTRACCIÓN DE LA RUEDA DE FRICCIÓN (SERIE 600 DE VELOCIDAD VARIABLE Y NO ORIENTABLE)

Si el soplador de nieve no se mueve cuando la palanca de control de la transmisión está engranada, y si al realizar el ajuste del cable de control de la transmisión el problema no se corrige, es posible que deba reemplazar la rueda de fricción. Siga las instrucciones que aparecen a continuación. Examine la rueda de fricción a fin de detectar si presenta signos de desgaste o grietas, y reemplácela si es necesario.

1. Deje el motor en marcha hasta que se acabe el combustible. No intente verter combustible del motor. Extraiga la llave de seguridad o desconecte el cable de la bujía.
2. Coloque la palanca de cambios en la primera posición de avance (F1).
3. Gire con cuidado el soplador de nieve hacia arriba y hacia adelante de manera que quede apoyado sobre la caja de la barrena.
4. Quite la cubierta del bastidor de la parte inferior extrayendo los tornillos autorroscantes (Figura 78). Retire la rueda derecha quitando el tornillo y la arandela de campana que la aseguran al eje. Consulte (Figura 86).

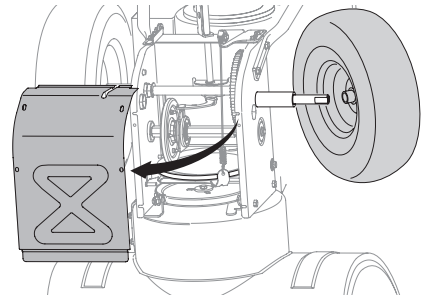


Figura 86

SERVICIO Y MANTENIMIENTO

5. Extraiga con precaución la tuerca hexagonal (a) que sujeta el eje hexagonal al bastidor y golpee ligeramente el extremo del eje a fin de desplazar el cojinete de bolas del lado derecho del bastidor (Figura 87).

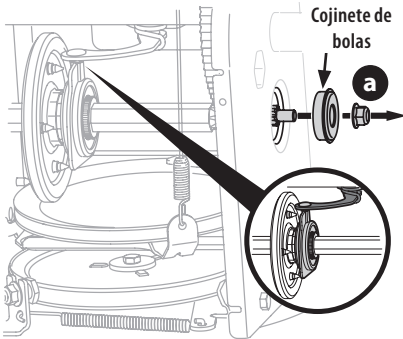


Figura 87

NOTA: Actúe con precaución para evitar que se dañen las roscas del eje.

6. Con cuidado, ubique el eje hexagonal hacia abajo y hacia la izquierda antes de deslizar con precaución el conjunto de la rueda de fricción fuera del eje (Figura 88).

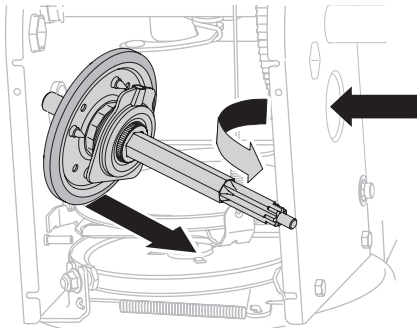


Figura 88

NOTA: Si está reemplazando el conjunto de la rueda de fricción completo, descarte la pieza desgastada y deslice la nueva pieza en el eje hexagonal.

7. Para reensamblar los componentes, siga los pasos anteriores en el orden inverso.
8. Realice la prueba de control de la transmisión que se indica en la página 48.

Si está desmontando la rueda de fricción para reemplazar únicamente el anillo de goma, proceda como se indica a continuación:

NOTA: No todas las ruedas de fricción se pueden reparar. Si ese es el caso, simplemente reemplace el conjunto de la rueda de fricción.

9. Extraiga los cuatro tornillos (b) que mantienen unidas las placas laterales de la rueda de fricción (Figura 89).

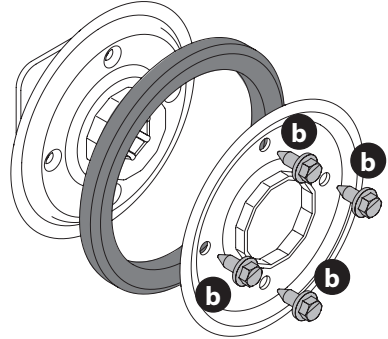


Figura 89

10. Retire el anillo de goma de entre las placas.
11. Vuelva a montar las placas laterales con un nuevo anillo de goma.

NOTA: Al reensamblar el conjunto de la rueda de fricción, asegúrese de que el anillo de goma esté centrado y asentado correctamente entre las placas laterales. Apriete cada tornillo sólo una vuelta antes de girar la rueda en el sentido de las agujas del reloj y proceder con el siguiente tornillo. Repita este proceso varias veces para asegurarse de que las placas se sujeten con la misma fuerza (entre 115-145 pulgadas-libras).

12. Aplique una capa ligera del compuesto Bostik Regular Grade Never-Seez® al eje hexagonal.
13. Vuelva a deslizar el conjunto de la rueda de fricción sobre el eje hexagonal y siga los pasos anteriores en el orden inverso a fin de reensamblar los componentes.
14. Después de reemplazar la rueda de fricción, realice la prueba de control de la transmisión que se indica en la página 48.

NOTA: Compruebe que el pasador de la palanca de cambios esté en su lugar en el alojamiento del cojinete (Figura 87, recuadro).

TRANSMISIÓN HIDROSTÁTICA (SI VIENE EQUIPADA)

NOTA: Vea a su distribuidor de mantenimiento autorizado para que le revise la Transmisión Hidrostática o póngase en contacto con Servicio de Atención al Cliente donde le ayudarán y le indicarán el nombre de su distribuidor más cercano.

MANUEL DE L'UTILISATEUR

Souffleuse à neige

2 phases et 3 phases
(Séries 500, 600 et 800)

Anglais (English)	Page 2
Espagnol (Español)	Page 30
Français (French).....	Page 60

Références de votre appareil

Avant de préparer et d'utiliser votre souffleuse à neige, veuillez à copier ci-contre les numéros de modèle et de série qui se trouvent à l'arrière du boîtier de la tarière. Il est important de conserver ces références car elles vous seront demandées si vous communiquez avec nous sur notre site web, par téléphone ou chez un concessionnaire.

Numéro de modèle

Numéro de série

⚠ AVERTISSEMENT

Lisez attentivement les consignes de sécurité et les instructions de montage et de fonctionnement avant d'utiliser cet appareil afin d'écartier tout risque d'accident et de blessure. **CONSERVEZ CES INSTRUCTIONS.**

⚠ AVERTISSEMENT

PROPOSITION 65 DE LA CALIFORNIE

Les gaz d'échappement du moteur ainsi que certains éléments de l'appareil contiennent des substances considérées par l'État de Californie comme étant cancérigènes et pouvant provoquer des anomalies congénitales ainsi que d'autres effets nuisibles à la reproduction.

NOTE : Ce manuel est commun à plusieurs modèles dont les caractéristiques peuvent différer du vôtre, de même que du modèle illustré.

CONSIGNES DE SÉCURITÉ

AVERTISSEMENT



Les consignes importantes sont précédées de ce symbole. Si vous ne respectez pas ces consignes, vous pourriez vous blesser grièvement ou causer des dommages. Veuillez lire toutes les consignes de ce manuel avant d'utiliser votre appareil afin d'écartier tout risque d'accident et de blessure. Lorsque vous voyez ce symbole, **RESPECTEZ LES AVERTISSEMENTS !**

DANGER

Cet appareil a été conçu pour être utilisé selon les consignes de sécurité décrites dans ce manuel. Comme pour tout autre type d'équipement motorisé, la négligence ou une erreur de la part de l'utilisateur peut provoquer des blessures nécessitant une amputation des doigts, des mains ou des pieds ou encore projeter des objets. Il est donc impératif de respecter scrupuleusement les consignes de sécurité énoncées.

FORMATION

1. Veuillez lire attentivement ce manuel avant d'assembler et d'utiliser votre tondeuse. Conservez-le pour pouvoir le relire ou commander des pièces de rechange.
2. Familiarisez-vous avec les commandes et le fonctionnement de votre appareil avant de vous en servir. Vous devez surtout savoir comment l'arrêter et débrayer les commandes rapidement.
3. L'âge minimum pour pouvoir utiliser cette tondeuse est de 14 ans. Si vous souhaitez permettre à des enfants de plus de 14 ans d'utiliser cet appareil, lisez d'abord les consignes de sécurité et d'utilisation avec eux, montrez-leur comment faire et exigez qu'un adulte soit présent en tout temps.
4. Ne confiez votre appareil qu'à des adultes responsables, qui savent s'en servir.
5. Les objets projetés peuvent causer de graves blessures. Calculez votre trajectoire de façon à éviter de projeter la neige vers les rues, les passants, etc.
6. Ne permettez pas aux spectateurs, aux animaux ni aux enfants de s'approcher à moins de 23 mètres (75 pieds) de l'appareil lorsqu'il est en marche. Coupez le moteur dès que quelqu'un s'approche.
7. Soyez prudent lorsque vous utilisez la souffleuse à neige, particulièrement lorsque vous l'utilisez en marche arrière, pour éviter de glisser ou de tomber.

PRÉPARATION

- Examinez soigneusement la zone de travail. Enlevez tapis, journaux, luges, fils et autres objets qui peuvent vous faire trébucher ou qui risquent d'être projetés par l'appareil.
1. Portez toujours des lunettes de sécurité pour protéger vos yeux lorsque vous utilisez l'appareil ou lorsque vous effectuez un réglage ou une réparation. Vos yeux sont particulièrement vulnérables aux projections.
 2. Portez toujours des vêtements d'hiver adéquats lorsque vous utilisez l'appareil. Les vêtements amples, les foulards longs et les bijoux peuvent se coincer dans les pièces en mouvement. Portez des bottes qui vous permettent de marcher sur les surfaces glissantes en toute sécurité.
 3. Utilisez une rallonge à 3 fils avec mise à la terre pour les appareils équipés d'un moteur à démarrage électrique.
 4. Ajustez la hauteur du boîtier de tarières lorsque vous déneigez les surfaces recouvertes de gravier ou de gravillons.
 5. Débrayez toutes les commandes avant de démarrer le moteur.
 6. Ne faites pas de réglages pendant que le moteur est en marche, sauf indications contraires mentionnées dans le manuel de l'utilisateur.
 7. Attendez que le moteur de l'appareil soit à la température extérieure avant de procéder au déneigement.

CONSIGNES DE SÉCURITÉ

MANIPULATION DE L'ESSENCE

Faites très attention lorsque vous manipulez de l'essence. Ce liquide est extrêmement inflammable et dégage des vapeurs explosives. Une simple éclaboussure sur la peau ou les vêtements peut s'enflammer et causer de graves brûlures. Nettoyez immédiatement toute éclaboussure sur la peau et changez de vêtements.

1. N'utilisez que des bidons d'essence homologués.
2. Éteignez cigares, cigarettes, pipes et tout autre objet susceptible de s'enflammer.
3. Ne faites jamais le plein à l'intérieur.
4. N'ouvrez pas le réservoir si le moteur est allumé ou encore chaud.
5. Laissez ce dernier refroidir pendant au moins 5 minutes avant de faire le plein.
6. Ne remplissez pas le réservoir à ras bord : l'essence se dilate en chauffant, alors laissez un espace d'environ un demi-pouce sous le col de remplissage.
7. Veillez à remettre correctement le bouchon du réservoir lorsque vous avez terminé.
8. En cas de débordement, essuyez l'essence sur le moteur et sur l'appareil, puis changez ce dernier de place et attendez cinq minutes avant de redémarrer le moteur. Si l'essence est répandue sur les vêtements, changez-les immédiatement.
9. N'entreposez jamais l'appareil ou les bidons d'essence à proximité d'une flamme nue, d'étincelles ou d'une veilleuse (chauffe-eau, radiateur, sècheuse, appareils fonctionnant au gaz).
10. Laissez refroidir l'appareil pendant au moins cinq minutes avant de l'entreposer.
11. Ne remplissez jamais les bidons à l'intérieur d'un véhicule ou encore à l'arrière d'un camion ou d'une remorque à plancher de plastique. Placez toujours les bidons par terre et loin de votre véhicule pour les remplir.
12. Dans la mesure du possible, déchargez l'appareil de la remorque et faites le plein par terre. Si cela n'est pas possible, utilisez un bidon plutôt que le pistolet de la pompe.
13. Posez le pistolet du distributeur sur le rebord du réservoir ou du bidon pour faire le plein et ne le bloquez pas en position ouverte.

UTILISATION

1. Ne placez pas les mains ou les pieds près des pièces en mouvement, dans le boîtier de la tarière ou dans la goulotte. Les pièces en mouvement peuvent les amputer.
2. La commande de la tarière est un dispositif de sécurité. Ne la modifiez pas, car cela peut compromettre la sécurité de l'appareil et entraîner des blessures.
3. Les leviers des commandes doivent se déplacer facilement dans les deux directions et revenir automatiquement à la position désengagée lorsqu'ils sont relâchés.

4. N'utilisez jamais la souffleuse sans la goulotte ou si la goulotte est endommagée. Ne modifiez pas les dispositifs de sécurité.
5. Ne laissez jamais le moteur fonctionner dans un lieu fermé ou mal aéré en raison de la présence de monoxyde de carbone, un gaz inodore très dangereux dans les gaz d'échappement.
6. N'utilisez pas l'appareil après avoir consommé de l'alcool ou pris des médicaments.
7. Le silencieux et le moteur deviennent chauds; n'y touchez pas. Gardez les enfants loin de l'appareil.
8. Soyez très prudent lorsque vous travaillez sur une surface recouverte de gravier ou lorsque vous devez la traverser. Faites attention aux obstacles cachés et à la circulation.
9. Soyez prudent lorsque vous travaillez sur une pente ou lorsque vous changez de direction sur une pente et ne vous engagez pas sur des pentes raides.
10. Calculez votre trajectoire de façon à ne pas projeter la neige vers les fenêtres, les murs, les automobiles, etc., pour éviter les dommages matériels et les blessures corporelles qui peuvent être causés par un ricochet.
11. Ne projetez pas la neige vers des enfants, des passants ou des animaux et ne permettez à personne de se tenir devant l'appareil.
12. Ne surchargez pas l'appareil en essayant de déneiger trop rapidement.
13. Travaillez en plein jour ou avec un éclairage artificiel adéquat. Assurez-vous de toujours garder vos pieds bien posés au sol et de tenir fermement les poignées. Déplacez-vous en marchant et non en courant.
14. Arrêtez la tarière lorsque vous transportez l'appareil ou si vous ne l'utilisez pas.
15. Ne faites jamais fonctionner l'appareil à une vitesse élevée sur des surfaces glissantes. Regardez toujours au sol et derrière vous avant de reculer.
16. Si l'appareil heurte un objet ou s'il vibre anormalement, arrêtez le moteur, débranchez le fil de bougie et mettez-le à la masse contre le moteur. Vérifiez s'il y a des dommages. Réparez les dommages avant de redémarrer l'appareil.
17. Débrayez toutes les commandes, arrêtez le moteur, retirez la clé ou débranchez le fil de la bougie avant de quitter le poste de conduite (derrière les poignées). Attendez que la tarière soit arrêtée avant de nettoyer la goulotte, d'effectuer un réglage ou d'inspecter l'appareil.
18. Ne placez jamais votre main dans les ouvertures de la goulotte ou de la tarière. Utilisez toujours l'outil de dégagement de la goulotte pour déboucher la goulotte d'éjection. Ne dégarez jamais la goulotte pendant que le moteur est en marche. Arrêtez le moteur et retirez la clé ou débranchez le fil de la bougie. Restez derrière la souffleuse à neige jusqu'à ce que toutes les pièces en mouvement soient arrêtées avant de dégager la goulotte.

CONSIGNES DE SÉCURITÉ

19. N'utilisez que des accessoires (contrepois pour roues, chaînes de traction pour pneus, etc.) approuvés par le fabricant de l'appareil.
20. Pour démarrer le moteur, tirez lentement la poignée du lanceur à rappel jusqu'à ce que vous sentiez une légère résistance, puis tirez rapidement la poignée. La rétraction rapide de la corde de démarrage risque de tirer votre main et votre bras vers le moteur plus vite qu'il n'est possible de relâcher la poignée. Ceci peut causer de graves blessures (fracture d'os, contusion, entorse, etc.).
21. Soyez prudent et faites preuve de bon sens en tout temps : ce manuel ne peut couvrir toutes les situations susceptibles de survenir. Communiquez avec le service à la clientèle pour obtenir de l'aide ou les coordonnées du centre de service le plus proche.

DÉGAGEMENT DE LA GOULOTTE D'ÉJECTION

N'approchez jamais la main de la turbine ou de la tarière à l'intérieur de la goulotte. C'est la cause principale de blessures. Ne nettoyez jamais la goulotte avec votre main.

Pour dégager une goulotte obstruée :

1. ARRÊTEZ LE MOTEUR !
2. Retirez la clé et débranchez le fil de la bougie.
3. Attendez 10 secondes pour vous assurer que la turbine ou la tarière sont arrêtées.
4. Utilisez toujours l'outil de dégagement de la goulotte et non vos mains.

ENTRETIEN ET REMISAGE

1. Ne modifiez jamais les dispositifs de sécurité et vérifiez régulièrement qu'ils fonctionnent bien. Consultez la section Entretien et réglages de ce manuel pour plus d'informations.
2. Avant de nettoyer l'appareil, de le réparer ou de l'examiner, débrayez toutes les commandes, arrêtez le moteur et retirez la clé ou débranchez le fil de la bougie. Attendez que la tarière soit arrêtée.
3. Vérifiez que tous les boulons et toutes les vis sont bien serrés pour assurer le bon fonctionnement de l'appareil. Inspectez-le régulièrement pour vous assurer qu'il n'y a pas de dommages.
4. Ne modifiez pas le réglage du régulateur de vitesse et ne faites pas tourner le moteur à une vitesse excessive. Le régulateur maintient le moteur au meilleur régime.
5. Les lames de raclage et les patins de la souffluse à neige sont des pièces soumises à usure normale. Par mesure de sécurité, vérifiez régulièrement tous les composants et remplacez-les seulement par des pièces de rechange d'origine. L'emploi de pièces non conformes

aux spécifications du matériel d'origine pourrait entraîner un mauvais rendement et compromettre la sécurité de l'utilisateur !

6. Vérifiez régulièrement que les leviers des commandes fonctionnent correctement et ajustez-les si nécessaire. Consultez la section Entretien et réglages de ce manuel pour plus d'instructions.
7. Les avertissements figurant sur vos équipements doivent toujours être lisibles. Remplacez-les si ce n'est plus le cas.
8. Respectez la législation sur l'élimination des déchets liquides (essence, huile, etc.) afin de préserver l'environnement.
9. Avant de remiser la souffluse à neige, laissez-la fonctionner pendant quelques minutes pour dégager toute la neige et empêcher la tarière de geler.
10. N'entrez jamais l'appareil ou les bidons d'essence à proximité d'une flamme nue, d'étincelles ou d'une veilleuse (chauffe-eau, radiateur, sècheuse, appareils fonctionnant au gaz).
11. Consultez le manuel de l'utilisateur pour les instructions d'entreposage.
12. Vérifiez si les conduites d'essence, le réservoir et les raccords présentent des fissures ou des fuites. Remplacez les pièces endommagées.
13. Ne faites pas tourner le moteur si la bougie d'allumage n'est pas installée.
14. Selon la Commission sur la sécurité des produits de consommation (Consumer Products Safety Commission) et l'Agence américaine de protection de l'environnement (U.S. Environmental Protection Agency), ce produit a une durée de vie utile moyenne de sept (7) ans ou 60 heures de fonctionnement. Au terme de cette durée de vie utile moyenne, faites inspecter l'appareil par un centre de service agréé pour vous assurer que les dispositifs mécaniques et de sécurité sont en bon état de fonctionnement et ne sont pas usés de façon excessive. Le fait de ne pas se conformer aux recommandations peut causer des accidents, des blessures graves ou la mort.

NE PAS MODIFIER LE MOTEUR



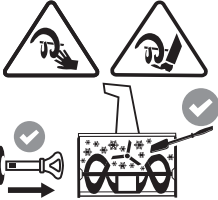




Un accident grave ou fatal peut résulter d'une modification du moteur, quelle qu'elle soit. Toute modification apportée au régulateur de vitesse peut provoquer l'emballement du moteur et accélérer dangereusement sa vitesse en état de marche. Ne modifiez jamais cet élément.

AVIS CONCERNANT LES ÉMISSIONS

Les moteurs certifiés conformes aux normes d'émission de la Californie et de l'Agence américaine de protection de l'environnement (EPA) pour équipements hors route (Small Off Road Equipment) sont conçus pour fonctionner à l'essence ordinaire sans plomb et peuvent être dotés des dispositifs antipollution suivants : modification du moteur, catalyseur d'oxydation, injection d'air secondaire et convertisseur catalytique à trois voies.

SAFETY SYMBOLS

Vous trouverez les symboles de sécurité qui peuvent figurer sur la souffleuse à neige et le moteur. Veuillez lire, comprendre et suivre tous les avertissements figurant sur la souffleuse à neige, le moteur et dans le manuel d'utilisation et la notice d'utilisation du moteur avant d'utiliser l'appareil.

Symbol	Description
 <p>OPESymbol.com</p>	<p>AVERTISSEMENT – LISEZ LE MANUEL D'UTILISATION : Veuillez lire attentivement et suivre toutes les consignes de sécurité et les instructions de ce manuel et inscrites sur la souffleuse à neige avant de l'utiliser. Le non-respect de ces consignes peut entraîner des blessures corporelles, voire la mort. Conservez ce manuel en lieu sûr pour pouvoir le consulter ultérieurement. Balayez le code QR avec un téléphone pour obtenir plus d'informations sur les avertissements se trouvant sur la souffleuse à neige. Le site www.OPESymbol.com offre aussi des renseignements à ce sujet.</p>
	<p>AVERTISSEMENT – RISQUE D'AMPUTATION CAUSÉE PAR LA GOULOTTE : N'approchez pas les mains de la goulotte lorsque le moteur est en marche. La turbine ou la tarière en mouvement peuvent amputer les doigts et les mains. Arrêtez le moteur, retirez la clé et attendez que toutes les pièces en mouvement soient immobilisées. Utilisez toujours l'outil de dégagement pour déboucher la goulotte, jamais votre main.</p>
	<p>AVERTISSEMENT – RISQUE D'AMPUTATION CAUSÉE PAR LES LAMES ROTATIVES DE LA TARIÈRE : N'approchez pas les mains ni les pieds du boîtier de la tarière lorsque le moteur est en marche. Les lames de la tarière sont assez aiguisées pour amputer un doigt, une main, un orteil ou un pied. Arrêtez le moteur, retirez la clé et attendez que toutes les pièces en mouvement soient immobilisées. Utilisez toujours l'outil de dégagement pour dégager le boîtier de la tarière, jamais vos mains.</p>
	<p>AVERTISSEMENT — CHOC ÉLECTRIQUE : Ne branchez pas et n'utilisez pas le démarreur électrique du moteur lorsqu'il pleut ou si le sol est mouillé.</p>
	<p>AVERTISSEMENT – L'ESSENCE EST UN PRODUIT INFLAMMABLE : Laissez le moteur refroidir pendant au moins deux minutes avant de refaire le plein.</p>
	<p>AVERTISSEMENT – MONOXYDE DE CARBONE : Ne faites jamais fonctionner un moteur à l'intérieur ou dans un bâtiment mal ventilé. Les gaz d'échappement contiennent du monoxyde de carbone, un gaz inodore et mortel.</p>
	<p>AVERTISSEMENT — SURFACE CHAUDE : Ne touchez pas au silencieux ni au moteur, car ils deviennent chauds et pourraient vous brûler. Laissez la souffleuse à neige refroidir pendant cinq minutes avant d'effectuer une réparation ou de ranger l'appareil.</p>

⚠ WARNING

Il est de votre responsabilité de vous assurer que seules des personnes capables de lire et de respecter les consignes de sécurité, figurant sur la souffleuse à neige et dans les manuels d'utilisation, utilisent l'appareil. - CONSERVEZ CES INSTRUCTIONS !

ASSEMBLAGE

Première utilisation

- Enlevez tout le matériel d'emballage.
- Relevez la poignée. Consultez la section Assemblage de la poignée.
- Installez la goulotte. Consultez la section Options d'assemblage de la goulotte.
- Assemblez la souffleuse à neige selon le modèle et la commande de goulotte. Consultez la section Installation.
- Des ajustements sont nécessaires pour assurer le bon fonctionnement de la souffleuse. Consultez le chapitre Réglages.
- Ajoutez de l'huile et de l'essence. Consultez la notice d'utilisation du moteur pour plus d'informations sur le moteur.

Outils nécessaires

- Clé à molette ou jeu de douilles
- Pinces à bec long

Assemblage de la poignée

1. Coupez les attaches de câble qui fixent la tige de commande de la goulotte ou la poignée supérieure à la poignée inférieure (le cas échéant), puis mettez la tige de commande (le cas échéant) de côté avant d'enlever l'emballage des poignées (s'il y a lieu).

NOTE : Ne coupez pas l'attache de câble (si présent) qui retient les câbles de commande au moteur.

NOTE : Pour les modèles dotés d'une commande supérieure de goulotte (avec arbre souple), d'une commande à 4 directions de goulotte ou d'une commande électrique de goulotte, coupez les attaches de câble qui fixent l'arbre flexible à la poignée inférieure. Mettez l'arbre flexible de côté. Retirez les bandes élastiques qui fixent les câbles aux boulons de carrosserie et coupez l'attache de câble qui fixe la tige du levier de vitesse à la poignée inférieure. Référez-vous à la Figure 7 pour identifier votre modèle.

2. Selon le modèle, desserrez les deux écrous supérieurs (a) qui fixent la poignée supérieure et la poignée inférieure, puis retirez les deux boulons de carrosserie (b) de la poignée supérieure. Mettez les pièces de côté. Voir Figure 1 ou Figure 2 selon les supports latéraux de votre modèle.

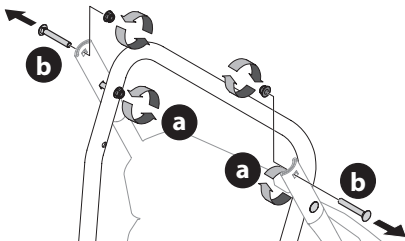


Figure 1

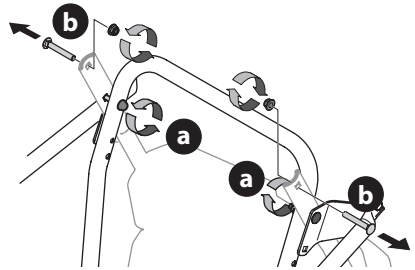


Figure 2

3. Placez le levier de vitesse (si présent) à la sixième position de marche avant (F 6) ou à la vitesse la plus rapide (si présent).
4. Regardez à l'arrière de la souffleuse à neige, vers le bas et vérifiez que les deux câbles (si votre appareil est équipé d'une poire d'amorçage) sont bien installés sur les poulies. Voir Figure 3.

NOTE : Sur certains modèles, les câbles de la commande du déflecteur de la goulotte sont installés sous le moteur, sur le côté gauche, et ne sont pas dotés de guide-câbles.

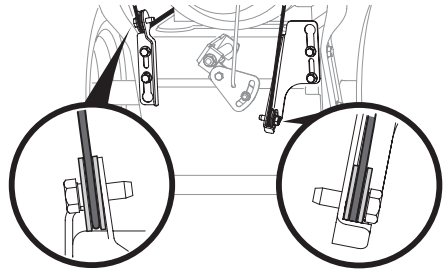


Figure 3

5. Relevez la partie supérieure de la poignée. Voir Figure 4. Retirez les bandes élastiques, s'il y a lieu, et jetez-les. Ils ne servent qu'à des fins d'emballage.

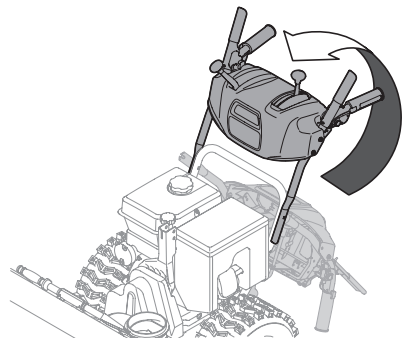


Figure 4

NOTE : Pour les modèles dotés d'une tige du levier de vitesse en acier, vous aurez peut-être à déplacer légèrement cette tige vers le côté pour faire basculer la poignée.

ASSEMBLAGE

6. Installez les deux boulons de carrosserie (b) et les écrous (b) retirés à l'étape 2. Serrez les deux écrous supérieurs (c) que vous avez desserrés à l'étape 2 pour fixer la poignée. Voir Figure 5 ou Figure 6 selon les supports latéraux de votre modèle.

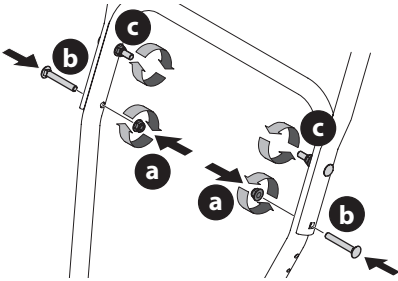


Figure 5

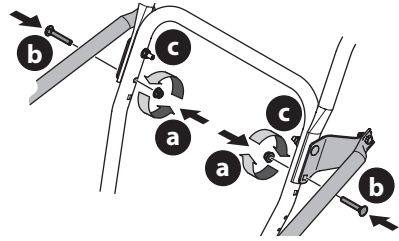
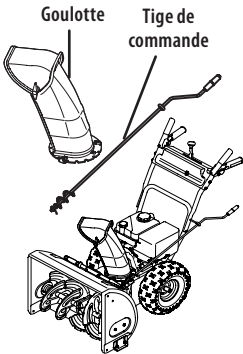


Figure 6

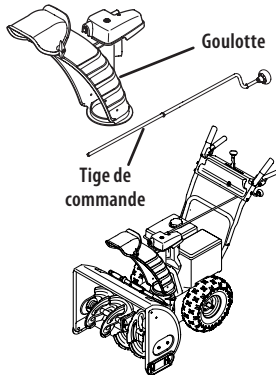
● ATTENTION

Consultez la Figure 7 pour trouver le type de goulotte de votre modèle. Assemblez la goulotte selon les directives des page 67 à 74.

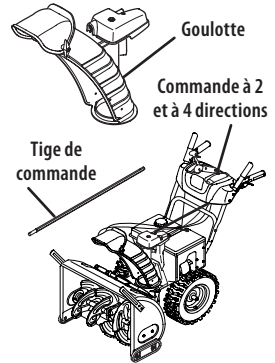
Types de commande de goulotte



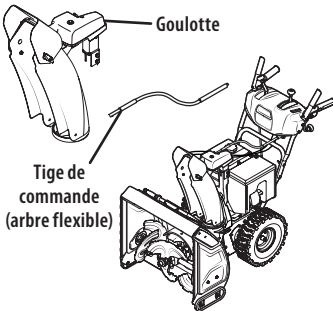
Commande latérale de goulotte et commande manuelle de déflecteur, page 8



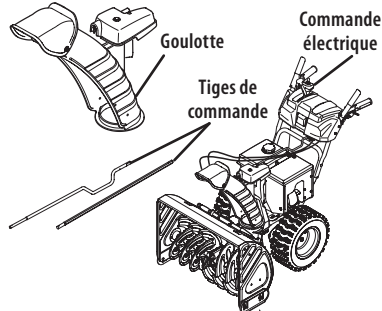
Commande supérieure de goulotte et commande manuelle de déflecteur, page 9



Commande supérieure de goulotte et commande de déflecteur à 2 ou à 4 directions, page 10



Commande supérieure avec arbre flexible, goulotte en acier et commande de déflecteur à 2 directions, page 11



Commande supérieure électrique et commande de déflecteur à 4 directions, page 13

Figure 7

Commande latérale de rotation et commande manuelle de déflecteur

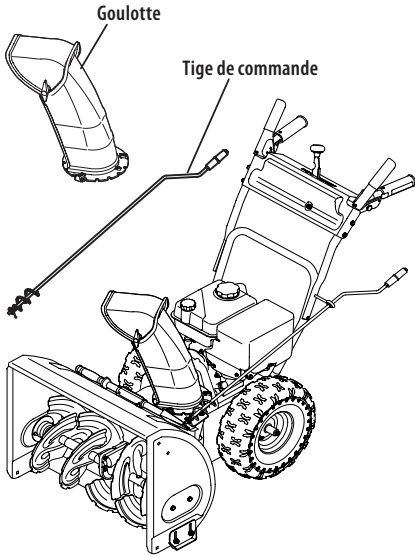


Figure 8

1. Placez la goulotte sur sa base. Voir Figure 9.

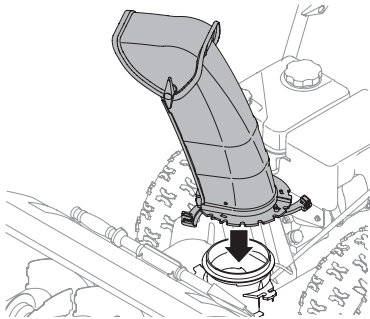


Figure 9

2. Fermez les attaches de la goulotte et faites-les enclencher pour bien fixer la goulotte à la base. Voir Figure 10.

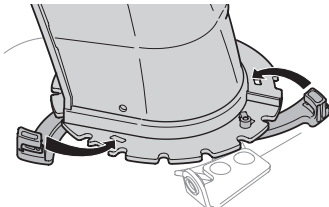


Figure 10

NOTE : Vérifiez que la goulotte inférieure est bien fixée sur la bride de la base de la goulotte. La partie inférieure de chaque attache de goulotte doit se trouver sous la bride de la base de la goulotte. Si les attaches ne s'enclenchent pas, pressez légèrement sur la partie arrière de chaque attache avec la paume de votre main.

3. Retirez le capuchon en plastique (si présent), la rondelle plate (a) et la goupille fendue (b) qui se trouvent à l'extrémité de la tige de commande de la goulotte. Voir Figure 11.

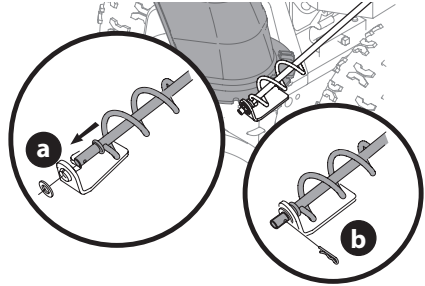


Figure 11

4. Insérez l'extrémité de la tige de commande dans le support inférieur et retenez-la avec une rondelle plate (a), une goupille fendue (b) et le capuchon en plastique (le cas échéant) retiré à l'étape 1. Le support inférieur peut être ajusté au besoin. Consultez la sous-section Commande latérale de goulotte de la section Entretien à la page 75.

● ATTENTION

Passez à la section Réglages à la page 74.

Commande supérieure de goulotte et commande manuelle de déflecteur

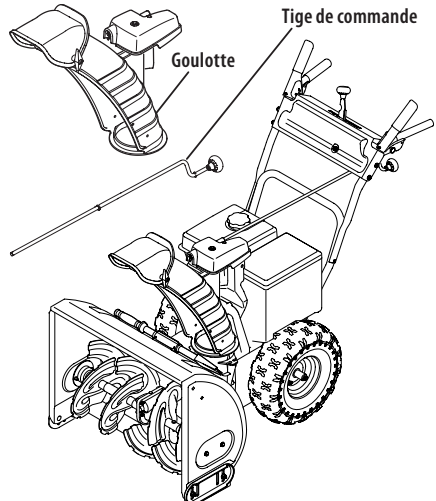


Figure 12

ASSEMBLAGE

1. Retirez l'écrou papillon (a) et le boulon (b) qui se trouvent sur la tête de commande de la goulotte, puis retirez l'axe de chape (c) et la goupille fendue (d) du support de la goulotte. Placez la goulotte (face vers l'avant) sur sa base et son support. Voir Figure 13.

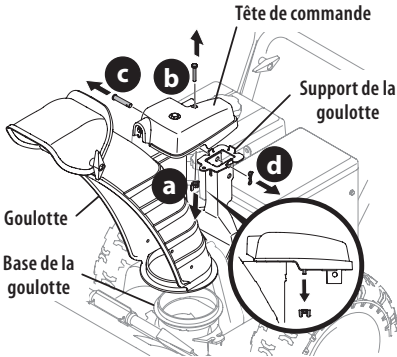


Figure 13

2. Fixez la tête de commande au support de la goulotte avec l'axe de chape (c) et la goupille fendue (d) retirés à l'étape 1. Voir Figure 14.

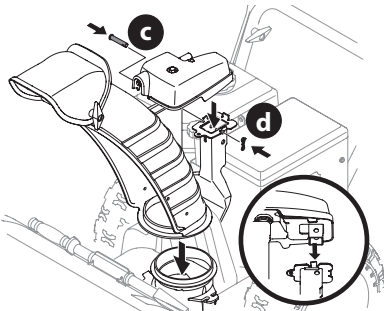


Figure 14

3. Retenez la tête de commande de la goulotte au support avec les écrous autobloquants (a) et les boulons (b) retirés à l'étape 1. Voir Figure 15.

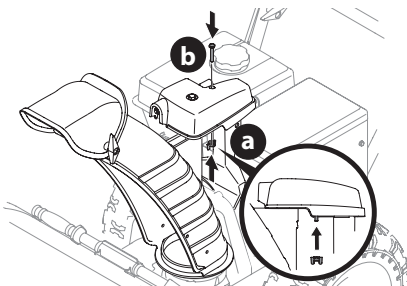


Figure 15

4. Insérez la tige de commande dans le support à l'arrière du tableau de commande. Voir Figure 16.

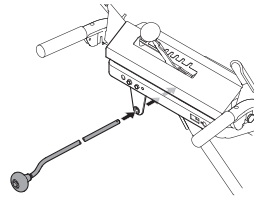


Figure 16

5. Retirez la goupille fendue (a) à l'arrière de la tête de commande de la goulotte. Voir Figure 17.

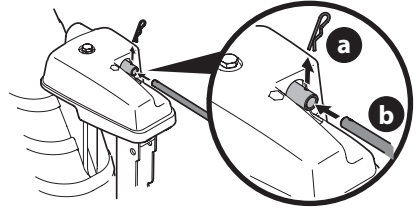


Figure 17

6. Insérez la tige de commande de la goulotte (b) à l'arrière de la tête de commande (Figure 17) et fixez-la avec la goupille fendue (a) retirée à l'étape 5.

● ATTENTION

Passiez à la section Réglages à la page 74.

Commande supérieure de goulotte et commande de déflecteur à 2 ou à 4 directions

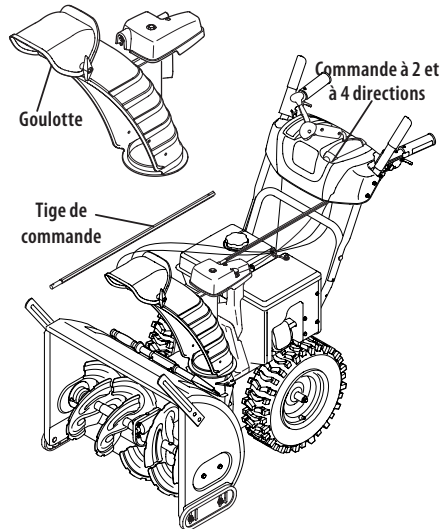


Figure 18

ASSEMBLAGE

1. Retirez la goupille fendue (a), l'écrou papillon (b) et le boulon (c) qui se trouvent sur la tête de commande de la goulotte. Puis, enlevez l'axe de chape (d) et la goupille fendue (e) du support de la goulotte. Voir Figure 19.

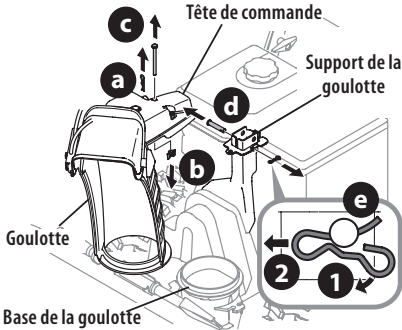


Figure 19

NOTE: Pour faciliter l'utilisation, placez tous les câbles à la gauche de la tige de commande.

2. Insérez la tige de commande dans la tête de commande de la goulotte. Poussez la tige à fond dans la tête de commande avec les trous de la tige pointés vers le haut. Voir Figure 20.

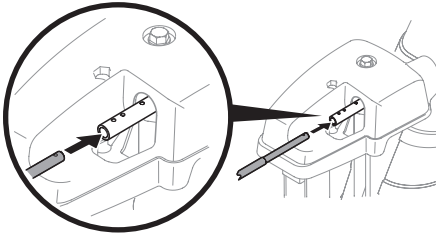


Figure 20

3. Placez la goulotte sur sa base en vous assurant que la tige de commande est placée sous le panneau de la poignée. Insérez le boulon (c) retiré à l'étape 1, mais ne le fixez pas avec l'écrou papillon. Voir Figure 21.

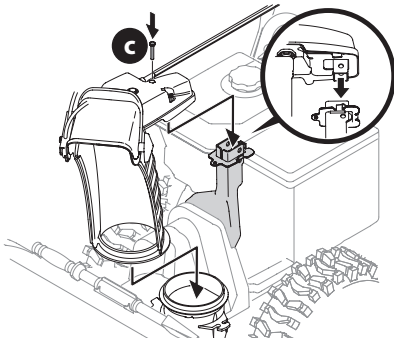


Figure 21

4. Pressez la gâchette de la manette de la commande de goulotte et tournez la goulotte avec votre main jusqu'à ce qu'elle soit pointée vers l'avant. Les trous sur le raccord de la tige de commande de la goulotte pointeront vers le haut. Voir Figure 22.

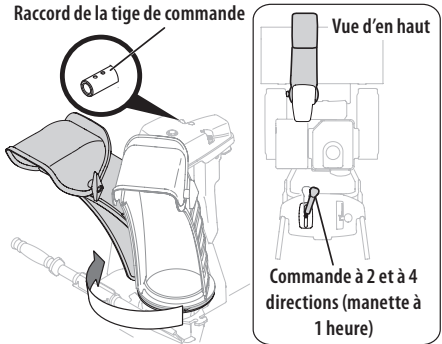


Figure 22

IMPORTANT: La goulotte ne pivotera pas si vous n'appuyez pas sur la gâchette de la manette.

5. Faites pivoter la manette à la position 1 heure (Figure 22) pour que la flèche sur l'engrenage à pignons sous le tableau de commande pointe vers le haut. Voir Figure 23.

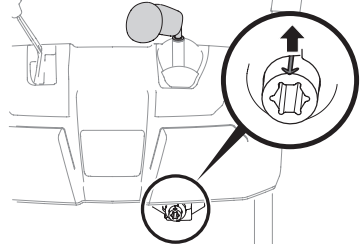


Figure 23

6. Insérez la tige de commande dans le raccord sous le tableau de commande. Vérifiez que le trou sur la tige de commande s'aligne avec la flèche sur le raccord hexagonal. Voir Figure 24.

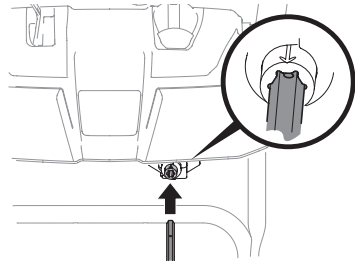


Figure 24

NOTE: La tige de commande sera bien ajustée dans le raccord hexagonal. Tenez l'arrière du tableau de commande avec une main, insérez la tige avec l'autre main et assurez-vous que la tige est insérée jusqu'au fond du raccord hexagonal.

ASSEMBLAGE

NOTE : Le trou sur la tige de commande sert de point de référence pour l'alignement de la tige avec l'indicateur sur le raccord hexagonal. Ce trou restera visible après que la tige ait été placée.

7. Poussez la tige de commande vers le tableau de commande jusqu'à ce que le premier trou de la tige s'aligne avec le trou du raccord de la tête de commande. Insérez la goupille fendue (a) retirée à l'étape 1. Voir Figure 25.

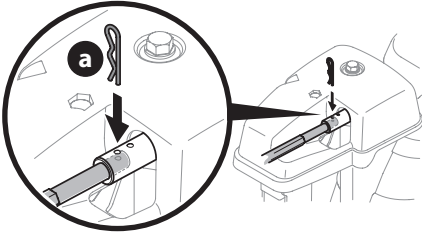


Figure 25

NOTE : Le cas échéant, alignez le deuxième trou de la tige avec le trou du raccord pour insérer davantage la tige de commande. Consultez la section Entretien pour plus d'informations sur le réglage de la tige de commande.

8. Fixez la tête de commande au support de la goulotte avec l'écrou papillon (b), l'axe de chape (d) et la goupille fendue (e) retirés à l'étape 1.

● ATTENTION

Passer à la section Réglages à la page 74.

Commande supérieure avec arbre flexible, goulotte en acier et commande de déflecteur à 2 directions

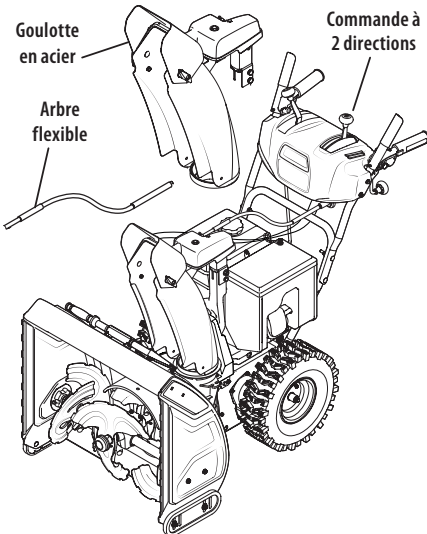


Figure 26

1. Retirez les écrous autobloquants (a) et les boulons (b) du support de la goulotte (utilisez deux clés). Voir Figure 27.

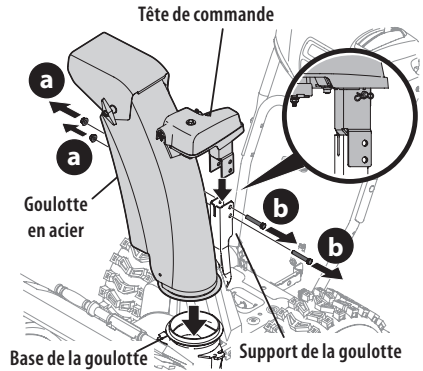


Figure 27

2. Placez la goulotte sur sa base et placez la tête de commande sur le support de la goulotte. Voir Figure 27.
3. Retenez la tête de commande au support de la goulotte avec les écrous autobloquants (a) et les boulons (b) retirés à l'étape 1. Voir Figure 28.

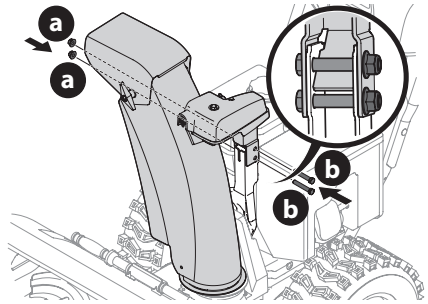


Figure 28

NOTE : Pour faciliter l'utilisation, placez tous les câbles à gauche de la tige de commande de la goulotte. Voir Figure 29.

4. Retirez la goupille fendue (a) à l'arrière de la tête de commande de la goulotte. Voir Figure 29.

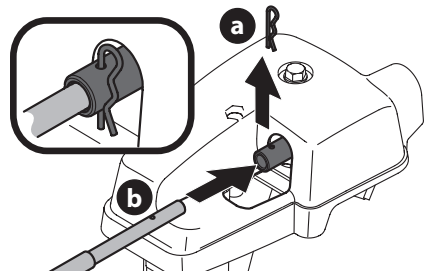


Figure 29

5. Insérez l'arbre flexible (b) dans la partie arrière de la tête de commande de la goulotte et retenez-le avec la goupille fendue (a) retirée à l'étape 4. Voir Figure 29.

ASSEMBLAGE

6. Suivez les instructions qui s'appliquent :

- Pour les modèles avec une commande supérieure de goulotte : Insérez l'extrémité hexagonale de l'arbre flexible dans le raccord de la tige de commande sous le tableau de commande. Voir Figure 30.

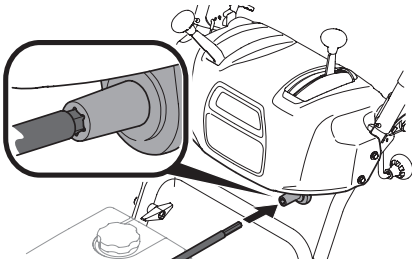


Figure 30

- Pour les modèles avec une commande électrique : Insérez l'autre extrémité de l'arbre flexible dans le raccord de la tige de commande sous le tableau de commande. Alignez l'extrémité plate de la tige avec l'extrémité plate du raccord. Vous aurez peut-être à tourner la tige pour que les deux extrémités plates s'alignent. Voir Figure 31.

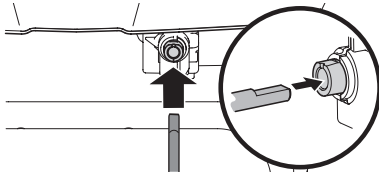


Figure 31

7. Vérifiez que le sélecteur de vitesse est placé à la position qui correspond à la vitesse de marche avant la plus élevée.
8. Retirez la goupille fendue (a) et la rondelle (b) de la virole sur l'extrémité de la tige du levier de vitesse. Voir Figure 32.

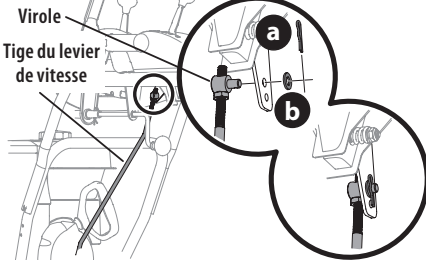


Figure 32

9. Le levier de vitesse, placé à l'arrière de la transmission, doit être complètement tourné vers le bas. Voir Figure 33 (A) pour les modèles sans transmission hydrostatique et Figure 33 (B) pour ceux avec une transmission hydrostatique.

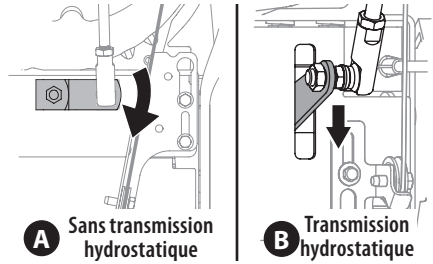


Figure 33

10. Insérez la virole dans le trou supérieur du levier de vitesse et fixez-la avec la goupille fendue (a) et la rondelle (b) retirées à l'étape 8. Voir Figure 32. Il faut peut-être ajuster la virole vers le haut ou vers le bas.

ATTENTION

Passez à la section Réglages à la page 74.

Commande supérieure électrique et commande de déflecteur à 4 directions

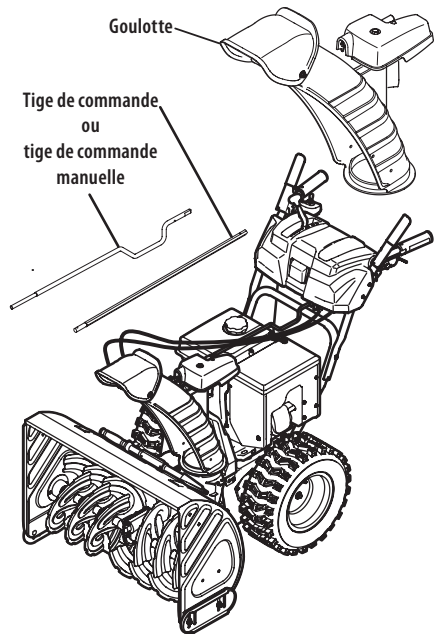


Figure 34

1. Retirez la goupille fendue (a), l'écrou papillon (b) et le boulon (c) de la tête de commande de la goulotte. Retirez l'axe de chape (d) et la goupille fendue (e) du support de la goulotte. Voir Figure 35.

ASSEMBLAGE

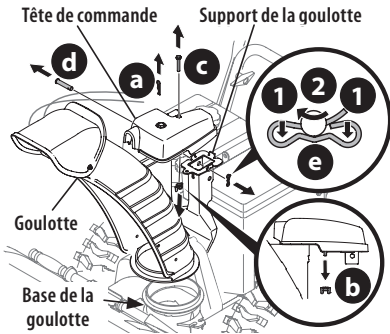


Figure 35

NOTE : Pour faciliter l'utilisation, placez tous les câbles à gauche de la tige de commande de la goulotte.

2. Insérez l'extrémité arrondie de la tige de commande dans la tête de commande. Poussez la tige à fond dans la tête de commande avec les trous de la tige pointés vers le haut. Voir Figure 36.

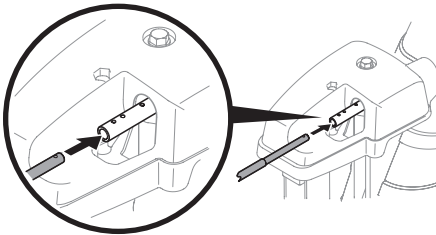


Figure 36

3. Placez la goulotte sur sa base et vérifiez que la tige de commande est placée sous le tableau de commande. Fixez la tête de commande au support de la goulotte avec l'axe de chape (d) et la goupille fendue (e) retirés à l'étape 1. Voir Figure 37.

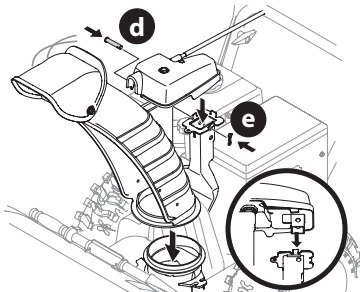


Figure 37

4. Retenez la tête de la commande avec le boulon (c) et l'écrou papillon (b) retirés à l'étape 1. Voir Figure 38.

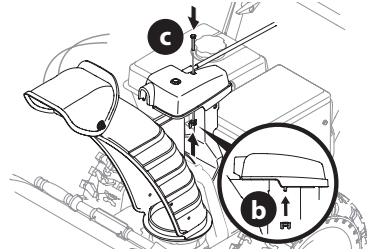


Figure 38

5. Insérez l'autre extrémité de la tige de commande dans le raccord sous le tableau de commande. Alignez l'extrémité plate de la tige avec l'extrémité plate du raccord. Il faut peut-être faire pivoter la tige pour que les deux extrémités plates s'alignent. Voir Figure 39.

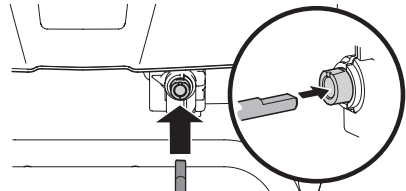


Figure 39

6. Poussez la tige de commande vers le tableau de commande jusqu'à ce que le trou sur la tige s'aligne avec le trou du milieu sur le raccord de la tige de commande. Insérez la goupille fendue (a) retirée à l'étape 1. Voir Figure 40.

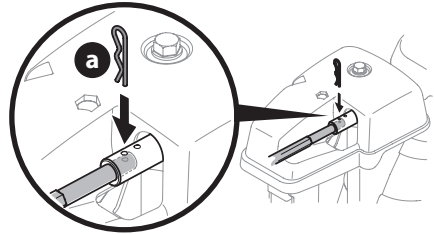


Figure 40

NOTE : Un trou de référence à l'arrière de la tige de commande vous permet de voir si les trous sont bien alignés.

NOTE : Le cas échéant, alignez le trou de la tige avec le trou le plus éloigné du raccord pour insérer davantage la tige de commande. Consultez la section Réglages, Commande supérieure de goulotte à la page 75.

NOTE : Pour les modèles dotés d'une goulotte à commande manuelle, utilisez le trou le plus près de la tête de commande pour déplacer manuellement la goulotte, si nécessaire. Consultez la section Utilisation, Commande de rotation manuelle et commande électrique à la page 81.

● ATTENTION

Passez à la section Réglages à la page 74.

Installation

CÂBLE DE LA COMMANDE DE GOULOTTE (SI PRÉSENT)

Pour les souffleuses dotées d'une manette de commande à 2 ou à 4 directions, d'une commande électrique ou d'une commande de déflecteur de goulotte, assurez-vous que les câbles de commande sont bien installés.

Les câbles de la commande de goulotte passent dans un guide-câble (a) sur le moteur ou dans deux guide-câbles (b) sur le côté gauche de l'appareil. Voir Figure 41.

NOTE : Pour les modèles avec une attache retenant les câbles à l'arrière du réservoir d'essence, tirez ces câbles vers la goulotte et serrez bien l'attache.

NOTE : Pour faciliter l'utilisation, placez les câbles à gauche de la tige de commande de la goulotte (c).

NOTE : Le nombre de câbles dans les guide-câbles peut varier selon le modèle.

1. Repérez le(s) guide-câble(s) et procédez comme suit :

- Modèles avec guide-câble sur le moteur (a) : Assurez-vous que tous les câbles sont correctement installés dans le guide-câble sur le moteur. Voir Figure 41.
- Modèles avec guide-câbles sur le côté (b) : Vérifiez que tous les câbles sont bien installés dans le guide-câble sous le côté gauche du moteur et dans celui sous la tête de la commande de la goulotte. Voir Figure 41.

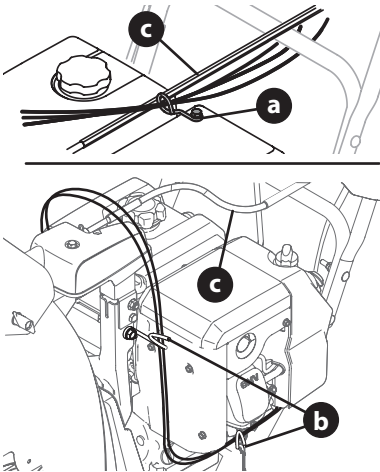


Figure 41

GOUPILLES DE CISAILLEMENT (SI PRÉSENT)

Certains modèles sont dotés de trous à l'arrière du tableau de commande pour ranger les goupilles de cisaillement (a) et les goupilles fendues (b). Voir Figure 42. Si votre modèle n'est pas doté, mettez les goupilles en lieu sûr.

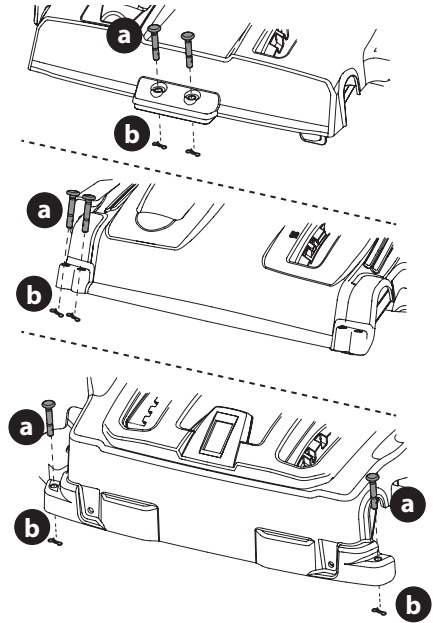


Figure 42

BARRES DE COUPE (SI PRÉSENT)

Les barres de coupe sont installées en position inversée en usine à des fins d'expédition.

Barres de coupe non réglables

1. Retirez les boulons de carrosserie (a) et les écrous papillon (b) qui fixent chaque barre de coupe, puis retirez les barres de coupe. Voir Figure 43.

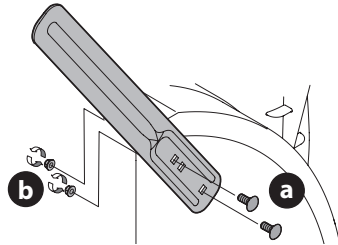


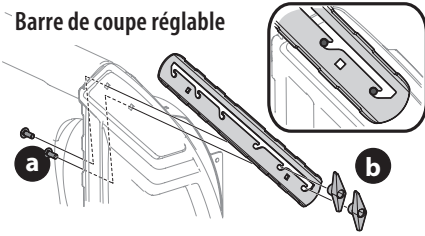
Figure 43

2. Retournez les barres de coupe et placez-les sur le boîtier des tarières comme indiqué à la Figure 43.
3. Fixez les barres de coupe avec les boulons de carrosserie (a) et les écrous papillon (b) retirés à l'étape 1.

Barres de coupe à installation sans outils

1. Retirez les boulons de carrosserie (a) et les écrous papillon (b) qui fixent chaque barre de coupe, puis retirez les barres de coupe. Voir Figure 44.

Barre de coupe réglable



Barre de coupe non réglable

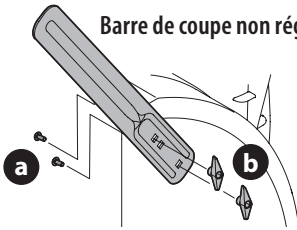


Figure 44

2. Retournez les barres de coupe et placez-les sur le boîtier des tarières comme indiqué à la Figure 44.
3. Fixez les barres de coupe avec les boulons de carrosserie (a) et les écrous papillon (b) retirés à l'étape 1.

PATINS (SI PRÉSENT)

Les patins fournis doivent être installés sur certains modèles.

4. Fixez les patins au boîtier des tarières (d) avec deux boulons de carrosserie (a), deux écrous à bride (b) et les rondelles (c). Serrez les écrous à la main. Voir Figure 45.
5. Placez les patins de façon qu'il y ait un décalage d'au moins 3,18 mm (1/8 po) entre le patin et le sol. Resserrez bien les écrous autobloquants.
6. Au besoin, consultez la section Patin du chapitre Réglages à la page 75.

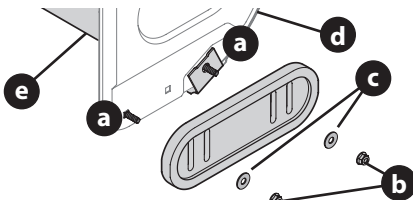


Figure 45

OUTIL DE DÉGAGEMENT DE LA GOULOTTE

L'outil de dégagement de la goulotte est retenu avec une attache sur le boîtier des tarières. Voir Figure 46.

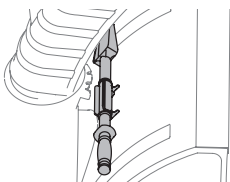


Figure 46

PRESSIION DES PNEUS (LE CAS ÉCHÉANT)

NOTE : Cette section ne s'applique pas aux modèles équipés de pneus non pneumatiques.

⚠ AVERTISSEMENT

La pression de gonflage ne doit jamais être supérieure à celle recommandée par le fabricant. Maintenez toujours une pression égale dans tous les pneus. Une pression d'air excessive dans le pneu peut faire sortir le talon de la jante, ce qui peut entraîner de graves blessures. La pression recommandée est indiquée sur le flanc du pneu.

Les pneus de l'appareil sont surgonflés à des fins d'expédition. Vérifiez la pression des pneus avant d'utiliser l'appareil. La pression recommandée par le fabricant est indiquée sur le flanc du pneu. Dégonflez ou gonflez les pneus selon le besoin.

NOTE : Maintenez toujours une pression égale dans tous les pneus pour assurer la bonne performance de l'appareil.

Réglages

PATINS

Les patins de la souffleuse à neige sont ajustés en usine pour être à environ 1/8 po sous la lame de raclage. Le cas échéant, abaissez-les ou relevez-les avant d'utiliser la souffleuse.

⚠ AVERTISSEMENT

Soyez très prudent lorsque vous utilisez la souffleuse sur une surface de gravier ou de gravillons. Ajustez la hauteur du boîtier de tarières pour éviter de projeter les pierres.

- Relevez les patins sur le boîtier des tarières pour un déneigement plus précis sur une surface unie.
- Placez les patins à la position basse si la surface de déneigement est rugueuse (par ex. une surface de gravier).

IMPORTANT : Si vous utilisez votre souffleuse à neige sur une surface de gravier, placez les patins à la position qui assure la distance maximale entre le sol et la lame de raclage.

1. Desserrez les écrous hexagonaux (a) (deux de chaque côté) et les boulons de carrosserie (b). Placez les patins à la position désirée. Voir Figure 47.

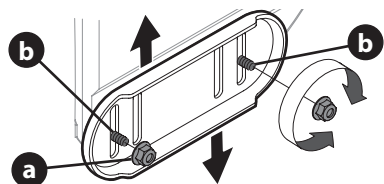


Figure 47

NOTE : Les patins de votre souffleuse à neige peuvent être différents de ceux illustrés sur la Figure 47.

2. Assurez-vous que la surface inférieure des patins soit bien placée contre le sol pour éviter l'usure inégale des patins.
3. Serrez bien les écrous hexagonaux (a) et les boulons de carrosserie (b).

RÉGLAGES

BARRES DE COUPE RÉGLABLES (SI PRÉSENT)

Les barres de coupe sont installées en position inversée en usine aux fins d'expédition.

4. Desserrez les boulons de carrosserie (a) et les écrous papillon (b) qui fixent chaque barre de coupe. Voir Figure 48.

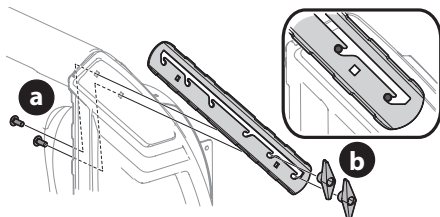


Figure 48

5. Déplacez les barres à la hauteur désirée.
6. Serrez bien les deux boulons de carrosserie et les écrous papillon retenant chaque barre de coupe aux côtés du boîtier des tarières.

RÉGLAGE MANUEL DE LA COMMANDE DE DÉFLECTEUR DE GOULOTTE

NOTE : Pour les modèles qui ne sont pas dotés d'une commande manuelle, consultez la section Commandes et utilisation, page 80s à 81.

Sur les modèles dotés d'une commande manuelle du déflecteur, le déflecteur de la goulotte peut être réglé pour changer l'angle de projection de la neige. Procédez comme suit :

1. Desserrez l'écrou papillon placé sur le côté gauche de la goulotte. Voir Figure 49.

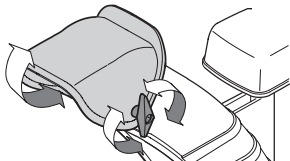


Figure 49

2. Faites pivoter le déflecteur vers le haut ou vers le bas, puis resserrez l'écrou.

COMMANDE LATÉRALE DE GOULOTTE (SI PRÉSENT)

Si la spirale à la base de la tige de commande de la goulotte ne s'engage pas avec la goulotte, le support doit être ajusté. Procédez comme suit :

3. Desserrez les deux écrous (a) qui fixent le support de la goulotte, puis ajustez le support. Voir Figure 50.
4. Resserrez les écrous.

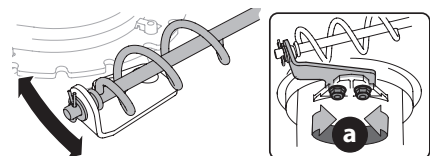


Figure 50

COMMANDE SUPÉRIEURE DE GOLOTTE (SI PRÉSENT)

Si la goulotte se déplace lorsque l'appareil est utilisé, serrez l'écrou devant la tête de la commande de la goulotte pour régler la tension.

1. Pour augmenter la tension, serrez l'écrou hexagonal (a) en le tournant vers la droite à des intervalles d'un quart de tour. Tenez la tige de la commande de goulotte sans la bouger pendant que vous serrez l'écrou. Voir Figure 51.

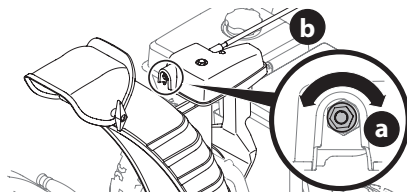


Figure 51

2. S'il est difficile de tourner la manivelle de la commande de la goulotte, desserrez l'écrou hexagonal dans le sens antihoraire à des intervalles d'un quart de tour pour diminuer la tension.

COMMANDE DE GOULOTTE À 2 OU À 4 DIRECTIONS (SI PRÉSENT)

Pour mieux ajuster la tige de commande de la goulotte sur le tableau de commande, procédez comme suit :

3. Retirez la goupille fendue (a) du trou le plus proche de la tête de commande de la goulotte.
4. Tirez la tige de commande jusqu'à ce que le trou sur la tige s'aligne avec le deuxième trou du raccord de la tige. Voir Figure 52.

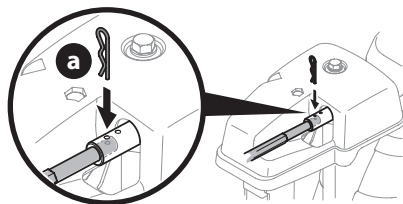


Figure 52

5. Insérez la goupille fendue (a) dans ce trou et dans la tige de commande de la goulotte.

LAME DE RACLAGE RÉGLABLE (SI PRÉSENT)

1. Faites fonctionner le moteur jusqu'à ce que le réservoir d'essence soit vide. Ne tentez pas de vidanger l'essence du réservoir. Retirez la clé ou débranchez le fil de la bougie.
2. Relevez la souffluse à neige vers l'avant pour qu'elle repose sur le boîtier des tarières.
3. Desserrez les écrous (a) des patins arrière des deux côtés de la souffluse et retirez les boulons de carrosserie (b) et les écrous hexagonaux (c) qui fixent la lame de raclage (d) au boîtier des tarières. Voir Figure 53.

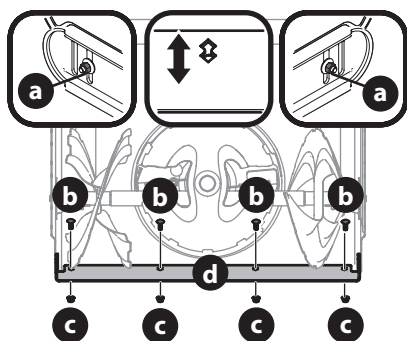


Figure 53

NOTE : Le modèle illustré est la souffleuse à trois phases.

- Placez la lame de raclage dans une des deux positions de montage. Remplacez les boulons de carrosserie, les écrous et la quincaillerie des patins retirés à l'étape 3 et serrez-les bien. Voir Figure 53.
- Ajustez les patins. Voir la sous-section Patins à la page 75.

COMMANDE DES TARIÈRES

⚠ AVERTISSEMENT

Veillez lire les consignes ci-dessous avant d'utiliser votre appareil. Effectuez tous les réglages nécessaires pour que votre appareil fonctionne bien et en toute sécurité.

Consultez la section Commandes et utilisation à la page 79 pour connaître l'emplacement de la commande des tarières. Vérifiez les réglages suivants :

- Le câble ne doit pas avoir beaucoup de jeu lorsque la commande d'entraînement est relâchée à la position désengagée. Cependant, le câble NE doit PAS être serré.
- Démarré le moteur dans un endroit bien aéré. Consultez la notice d'utilisation du moteur.
- Tenez-vous derrière la souffleuse, pressez sur la commande des tarières pour engager les tarières.
- Laissez les tarières tourner pendant dix (10) secondes avant de relâcher la commande des tarières. Répétez cette étape plusieurs fois.
- Relâchez la commande des tarières à la position désengagée, puis placez-vous devant la souffleuse.
- Assurez-vous que les tarières ne tournent plus et qu'il n'y a absolument AUCUN mouvement. Si elles ne sont pas TOUT À FAIT immobiles, arrêtez le moteur, retirez la clé ou débranchez le fil de la bougie. Assurez-vous que TOUTES les pièces en mouvement ne tournent plus avant de régler la commande des tarières.
- Pour ajuster le câble de cette commande, desserrez le boulon hexagonal supérieur (a). Voir Figure 54.

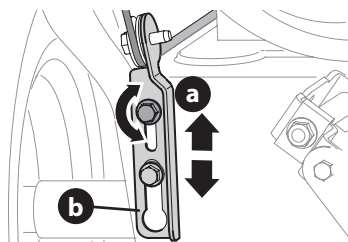


Figure 54

- Déplacez le support du câble vers le haut (b) pour desserrer le câble (ou vers le bas pour serrer le câble). Voir Figure 54.
- Resserrez le boulon supérieur (a).
- Répétez les étapes 1 à 6 pour vérifier que le réglage a été effectué correctement.

CÂBLE DU LEVIER DE VITESSE (SI PRÉSENT)

Si vous ne pouvez pas atteindre la vitesse maximale en marche avant ou en marche arrière, réglez le câble du levier de vitesse comme suit :

- Placez le levier de vitesse à la position qui correspond à la vitesse de marche avant la plus rapide.
- Desserrez l'écrou (a) sur le support du câble du levier de vitesse (b). Voir Figure 55.
- Faites pivoter le support vers le bas pour éliminer le jeu du câble.
- Resserrez l'écrou.
- Si un réglage supplémentaire est nécessaire, placez le câble dans un des autres trous du support.

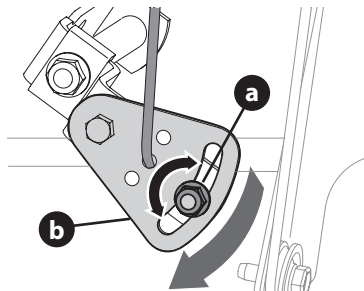


Figure 55

TIGE DU LEVIER DE VITESSE (SI PRÉSENT)

Si la plage complète de vitesses (marche avant et marche arrière) ne peut pas être atteinte, ajustez la tige du levier de vitesse comme suit :

- Placez le levier de vitesse à la position qui correspond à la plus haute vitesse de marche avant.
- Retirez la goupille fendue (a) et la rondelle (b) de la virole de réglage sur la tige du levier de vitesse. Retirez la tige du levier de vitesse. Voir Figure 56.

RÉGLAGES

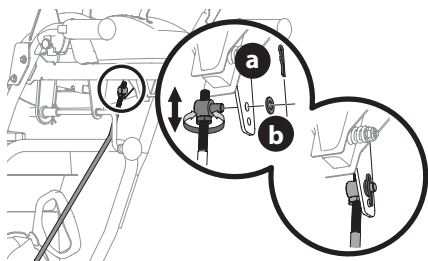


Figure 56

3. Assurez-vous que le levier de vitesse à l'arrière de la transmission est complètement tourné vers le bas. Voir Figure 57 (A) pour les modèles sans transmission hydrostatique et Figure 57 (B) pour ceux avec une transmission hydrostatique.

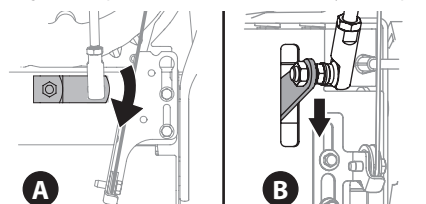


Figure 57

4. Tournez la virole vers le haut ou vers le bas sur la tige du levier de vitesse jusqu'à ce qu'elle s'aligne avec le trou supérieur du levier de vitesse. Voir Figure 57.
5. Insérez la virole dans le trou supérieur et fixez-la avec la rondelle et la goupille fendue.

COMMANDE D'ENTRAÎNEMENT (MODÈLES SANS TRANSMISSION HYDROSTATIQUE) (SI PRÉSENT)

Le câble ne doit pas avoir beaucoup de jeu lorsque la commande d'entraînement est relâchée à la position désengagée. Cependant, le câble NE doit PAS être serré.

NOTE : Ajustez le câble de la commande d'entraînement s'il y a trop de jeu ou si la transmission se désengage de temps à autre pendant l'utilisation.

Vérifiez le réglage de la commande d'entraînement comme suit :

1. Relâchez la commande d'entraînement, puis poussez doucement la souffleuse à neige vers l'avant. L'appareil devrait avancer sans contrainte.
2. Engagez la commande d'entraînement et poussez l'appareil vers l'avant. L'appareil ne devrait pas avancer.
3. Si votre modèle est doté d'un levier de vitesse, relâchez la commande d'entraînement, puis placez le levier de vitesse plusieurs fois vers l'avant et vers l'arrière entre la position R2 et F6. Il ne doit pas avoir de résistance au niveau du levier de vitesse.

Ajustez le câble de la commande d'entraînement si une de ces vérifications échoue. Procédez comme suit :

4. Arrêtez le moteur, retirez la clé ou débranchez le fil de la bougie. Consultez la notice d'utilisation du moteur.

5. Desserrez le boulon inférieur (a) sur le support du câble de la commande d'entraînement (b). Voir Figure 58.

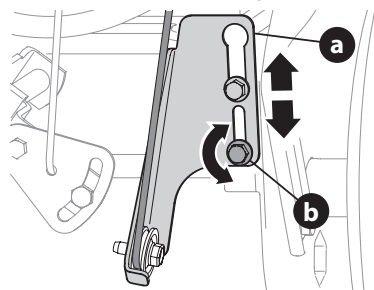


Figure 58

6. Déplacez le support du câble vers le haut pour desserrer le câble (ou vers le bas pour serrer le câble).
7. Resserrez l'écrou inférieur.
8. Vérifiez le réglage de la commande d'entraînement selon les instructions.

COMMANDE D'ENTRAÎNEMENT (MODÈLES AVEC UNE TRANSMISSION HYDROSTATIQUE) (SI PRÉSENT)

Le câble ne doit pas avoir beaucoup de jeu lorsque la commande d'entraînement est relâchée à la position désengagée. Cependant, le câble NE doit PAS être serré.

NOTE : Ajustez le câble de la commande d'entraînement s'il y a trop de jeu ou si la transmission se désengage de temps à autre pendant l'utilisation.

1. Arrêtez le moteur, retirez la clé ou débranchez le fil de la bougie. Consultez la notice d'utilisation du moteur.
2. Desserrez le boulon supérieur (a) sur le support du câble de la commande d'entraînement (b). Voir Figure 59.

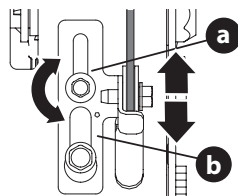


Figure 59

3. Déplacez le support du câble vers le haut pour desserrer le câble (ou vers le bas pour serrer le câble).
4. Resserrez le boulon supérieur.
5. Vérifiez la tension du câble de la commande d'entraînement pour vous assurer qu'il n'y a pas trop de jeu. Si nécessaire, répétez les étapes 2 à 4 pour ajuster la commande d'entraînement.

Carburant et huile

Consultez la notice d'utilisation du moteur pour plus d'informations sur le carburant et l'huile à ajouter.

UTILISATION

Caractéristiques des modèles

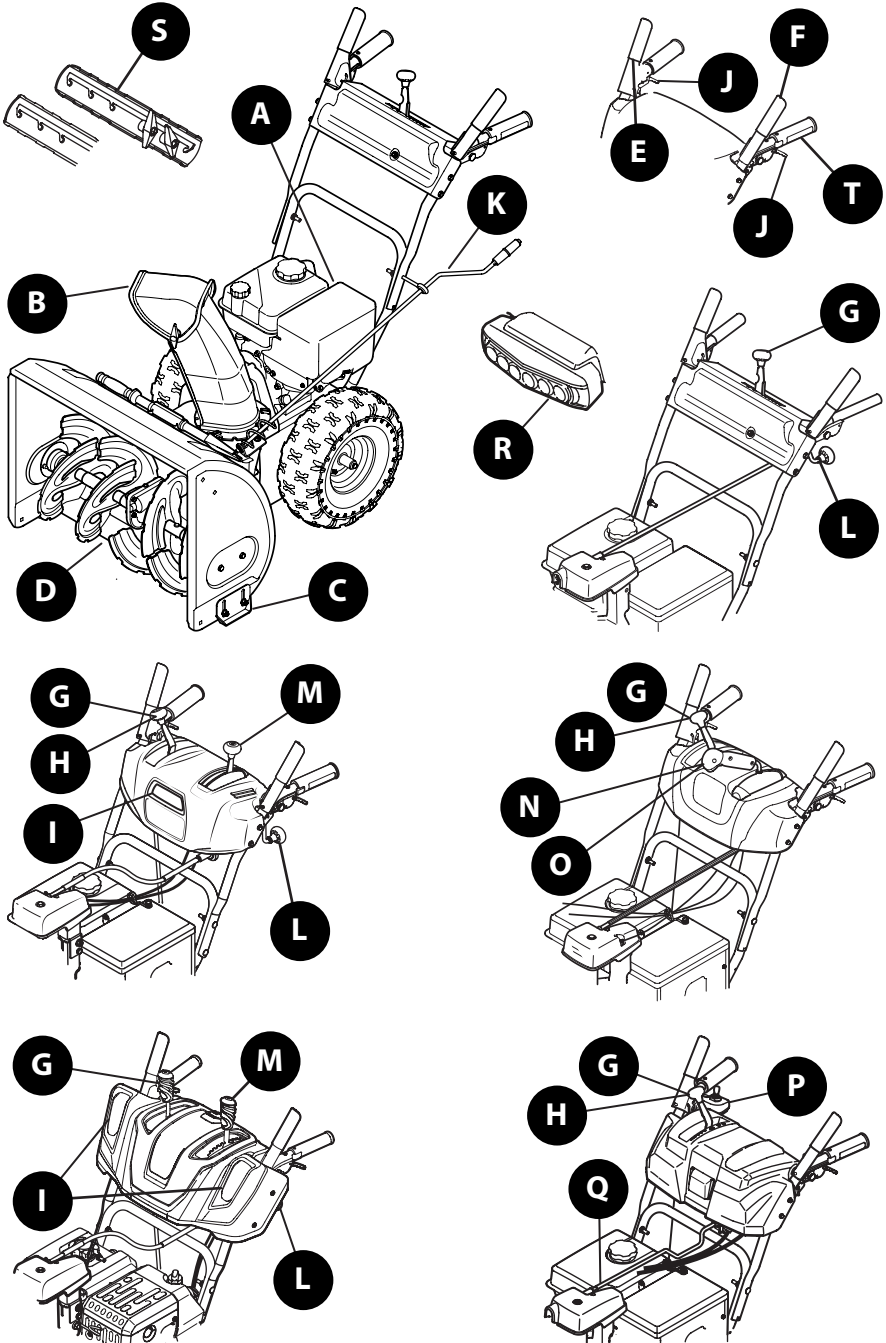


Figure 60

CARACTÉRISTIQUES

Les commandes et les caractéristiques de la souffleuse à neige sont décrites ci-dessous et illustrées à la Figure 60.

NOTE : Ce manuel est commun à plusieurs modèles. Les caractéristiques peuvent varier selon le modèle. Certaines caractéristiques décrites dans ce manuel peuvent ne pas s'appliquer à tous les modèles. Votre souffleuse à neige peut différer du modèle illustré.

NOTE : Toutes les mentions de droite et gauche s'entendent à partir du poste de conduite. Les exceptions seront spécifiées, s'il y a lieu.

A. COMMANDES DU MOTEUR

Consultez la notice d'utilisation du moteur pour connaître l'emplacement et la fonction des commandes de votre moteur.

B. GOULOTTE

La goulotte d'éjection éjecte la neige introduite dans le boîtier des tarières.

C. PATINS

Les patins peuvent être ajustés pour avoir la distance requise entre la lame de raclage et le sol, selon le type de surface. Ajustez les patins vers le haut pour débayer la neige compactée. Ajustez-les vers le bas lorsque vous utilisez la souffleuse sur des surfaces de gravier ou de gravillons. Consultez les instructions de réglage des patins à la Patins on page 74.

D. TARIÈRES

Lorsque les tarières sont engagées, elles tournent et recueillent la neige dans le boîtier pour ensuite la projeter par la goulotte.

E. COMMANDE D'ENTRAÎNEMENT / VERROUILLAGE DE LA COMMANDE DES TARIÈRES* (SI PRÉSENT)

La commande d'entraînement se trouve sur la poignée droite. Pressez la commande d'entraînement contre la poignée pour engager les roues motrices. Relâchez la poignée pour arrêter l'appareil. Voir Figure 61.



Figure 61

*Sur certains modèles, la commande d'entraînement sert également à verrouiller la commande des tarières pour pouvoir utiliser la commande de la goulotte sans interrompre le déneigement. Si la commande des tarières est embrayée en même temps que la commande d'entraînement, vous pouvez simplement relâcher la commande des tarières (sur la poignée gauche) pour garder les tarières engagées. Relâchez les deux commandes pour arrêter les tarières et les roues motrices.

NOTE : Relâchez toujours la commande d'entraînement avant de changer de vitesse. Le non-respect de cette consigne entraînera l'usure prématurée du système d'entraînement.

F. COMMANDE DES TARIÈRES (SI PRÉSENT)

La commande des tarières se trouve sur la poignée gauche. Pressez la commande des tarières contre la poignée pour engager les tarières et commencer le déneigement. Relâchez la poignée pour arrêter l'appareil. Voir Figure 62.



Figure 62

IMPORTANT : Consultez la section Commande des tarières du chapitre Assemblage et montage avant d'utiliser votre appareil. Lisez attentivement toutes les instructions et effectuez tous les réglages nécessaires pour assurer que la souffleuse à neige fonctionne adéquatement et en toute sécurité.

G. LEVIER DE CHANGEMENT DE VITESSE (TRANSMISSION À 6 VITESSES) (SI PRÉSENT)

Le levier de vitesse est placé sur le tableau de commande et sert à contrôler la vitesse et la direction de déplacement.

• Marche avant

Votre appareil a six vitesses de marche avant (F). La première position (1) représente la vitesse la plus lente et la sixième position (6) la vitesse la plus rapide.

• Marche arrière

Votre appareil a deux vitesses de marche arrière (R). La première position (1) représente la vitesse lente et la deuxième position (2) la vitesse rapide.

H. LEVIER DE CHANGEMENT DE VITESSE (TRANSMISSION HYDROSTATIQUE) (SI PRÉSENT)

Le levier de vitesse est placé sur le tableau de commande et sert à contrôler la vitesse et la direction de déplacement. Plus vous poussez le levier, plus l'appareil se déplace rapidement. Placez le levier à la position de marche arrière pour effectuer une marche arrière.



I. PHARE (UN OU DEUX) (SI PRÉSENT)

Le phare se trouve sur le devant du tableau de commande et s'allume automatiquement lorsque le moteur est démarré.

UTILISATION

J. MANETTES DE DIRECTION DES ROUES (SI PRÉSENT)

La manette droite et celle de gauche sont situées sous les poignées. Voir Figure 63.

IMPORTANT : Pour les modèles dotés d'une transmission hydrostatique, lorsque vous déplacez l'appareil sans démarrer le moteur, pressez la manette droite et la manette gauche pour désengager l'entraînement.

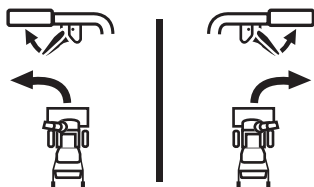


Figure 63

- Pressez la manette de direction droite pour tourner à droite.
- Pressez la manette de direction gauche pour tourner à gauche.

⚠ ATTENTION

Utilisez la souffleuse à neige dans des espaces ouverts jusqu'à ce vous ayez une bonne maîtrise des commandes.

K. COMMANDE LATÉRALE DE GOULOTTE (SI PRÉSENT)

La commande de rotation de la goulotte se trouve sur le côté gauche de la souffleuse à neige. Pour changer la direction d'éjection de la neige, tournez la commande de la goulotte. Voir Figure 64.



Figure 64

L. COMMANDE SUPÉRIEURE DE GOULOTTE (SI PRÉSENT)

La commande supérieure de la goulotte se trouve à l'arrière de la souffleuse à neige, sous le tableau de commande. Pour changer la direction d'éjection de la neige, tournez la commande de la goulotte. Voir Figure 65.



Figure 65

M. COMMANDE DU DÉFLECTEUR DE GOULOTTE (SI PRÉSENT)

La commande du déflecteur à 2 directions se trouve sur le côté gauche du tableau de commande et sert à contrôler la distance d'éjection de la neige.

Déplacez le levier vers l'avant ou l'arrière pour faire pivoter la goulotte supérieure vers le bas ou vers le haut. Voir Figure 66.

Commande du déflecteur de goulotte à 2 directions

- **Pour réduire la distance d'éjection de la neige :** Déplacez le levier vers l'avant pour faire pivoter la goulotte supérieure vers le bas. Voir Figure 66.
- **Pour augmenter la distance d'éjection de la neige :** Déplacez le levier vers l'arrière pour faire pivoter la goulotte supérieure vers le haut. Voir Figure 66.

Commande du déflecteur de goulotte à 2 directions avec barre de réglage

- **Pour réduire la distance d'éjection de la neige :** Désengagez le levier de la position de réglage actuelle. Déplacez le levier vers l'avant pour faire pivoter la goulotte supérieure vers le bas à la position de réglage désirée (a). Voir Figure 66.
- **Pour augmenter la distance d'éjection de la neige :** Désengagez le levier de la position de réglage actuelle. Déplacez le levier vers l'arrière pour faire pivoter la goulotte supérieure vers le haut à la position de réglage désirée (b). Voir Figure 66.

COMMANDE DE DÉFLECTEUR À 2 DIRECTIONS



COMMANDE DE DÉFLECTEUR À 2 DIRECTIONS AVEC BARRE DE RÉGLAGE

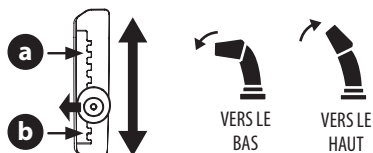


Figure 66

N. COMMANDE DE GOULOTTE À 2 DIRECTIONS (SI PRÉSENT)

La manette de la commande à 2 directions se trouve sur le côté gauche du tableau de commande.

- Pour changer la direction d'éjection de la neige, pressez la gâchette sur la manette et faites pivoter la manette vers la droite ou vers la gauche. Voir Figure 67.



Figure 67

O. COMMANDE DE GOULOTTE À 4 DIRECTIONS (SI PRÉSENT)

La manette de la commande à 4 directions se trouve sur le côté gauche du tableau de commande.

- Pour changer la direction d'éjection de la neige, pressez la gâchette sur la manette et faites pivoter la manette vers la droite ou vers la gauche. Voir Figure 68.
- Pour changer l'angle ou la distance d'éjection de la neige, faites pivoter la manette vers l'avant ou vers l'arrière.

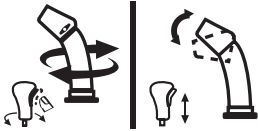


Figure 68

P. COMMANDE ÉLECTRIQUE DE GOULOTTE ET DE DÉFLECTEUR D'ÉJECTION (SI PRÉSENT)

La manette de la commande électrique de la goulotte se trouve sur le côté droit du tableau de commande. Voir Figure 69.

- Pour changer la direction d'éjection de la neige, faites pivoter la manette vers la droite ou vers la gauche.
- Pour changer l'angle ou la distance d'éjection de la neige, faites pivoter la manette vers l'avant ou vers l'arrière.

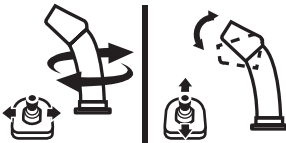


Figure 69

Q. COMMANDE MANUELLE DE GOULOTTE ET COMMANDE ÉLECTRIQUE DU DÉFLECTEUR (SI PRÉSENT)

Procédez comme suit pour changer manuellement la direction de la goulotte si votre souffleuse est dotée d'une manette de commande électrique et d'une tige de commande manuelle. Voir Figure 70.

1. Retirez la goupille fendue (a) d'un des deux trous les plus éloignés de la tête de commande de la goulotte. Voir Figure 70.

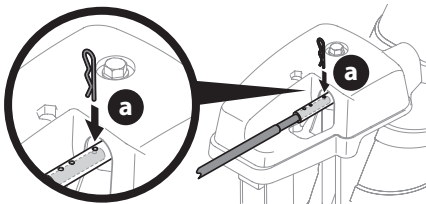


Figure 70

2. Insérez la tige de commande de la goulotte jusqu'à ce que le trou de la tige s'aligne avec le troisième trou du raccord. Voir Figure 70.
3. Remplacez la goupille fendue (a) dans ce trou et dans la tige de commande de la goulotte. Voir Figure 70.
4. Tenez la portion recourbée de la tige de commande et faites pivoter la goulotte manuellement vers la droite ou vers la gauche. Voir Figure 71.

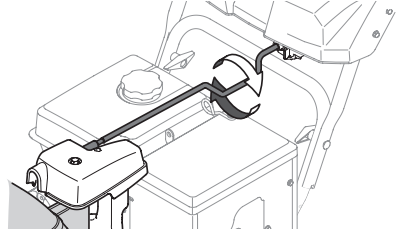


Figure 71

R. BARRE DE PHARES DEL (SI PRÉSENT)

Les phares sont sur le boîtier des tarières et s'allument automatiquement lorsque le moteur est en marche.

S. BARRES DE COUPE (SI PRÉSENT)

Les barres de coupe sont conçues pour découper les bancs de neige. L'utilisation des barres de coupe est optionnelle dans les conditions d'enneigement normales. Dirigez la souffleuse à neige de façon que les barres découpent les bancs de neige pour que la neige puisse être recueillie par les tarières.

UTILISATION

T. POIGNÉES CHAUFFANTES (SI PRÉSENT)

⚠ ATTENTION

Il est recommandé de porter des gants lorsque vous utilisez les poignées chauffantes. Si les poignées chauffantes deviennent trop chaudes, fermez l'interrupteur.

Pour activer les poignées chauffantes, placez l'interrupteur situé sur (a) ou à l'arrière (b) du tableau de commande à la position MARCHÉ (ON). Voir Figure 72. Placez l'interrupteur à la position ARRÊT (OFF) pour que les poignées ne chauffent plus.

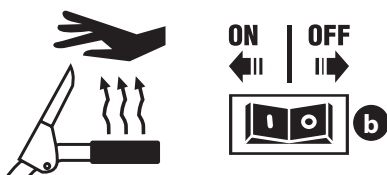
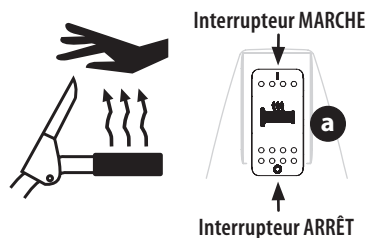
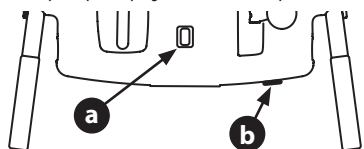


Figure 72

Démarrage et arrêt du moteur

⚠ AVERTISSEMENT

Gardez toujours les mains et les pieds loin des pièces en mouvement. N'utilisez pas de fluide de démarrage pressurisé. Les vapeurs sont inflammables.

Consultez la notice d'utilisation du moteur pour les instructions au sujet du démarrage et de l'arrêt du moteur. Voir Figure 73.

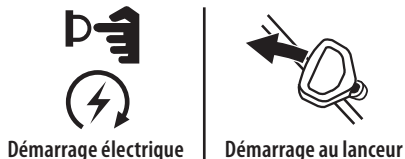


Figure 73

POUR ENGAGER LA TRANSMISSION

1. Placez la commande d'accélération à la position RAPIDE (lapin), puis déplacez le levier de vitesse dans une des six positions de marche avant (F) ou dans une des deux positions de marche arrière (R) pour les modèles dotés d'une transmission à 6 vitesses. Placez la commande d'accélération à la position désirée pour les modèles avec transmission hydrostatique. Sélectionnez la vitesse appropriée aux conditions d'enneigement.
2. Pressez la commande d'entraînement contre la poignée pour engager la transmission. Relâchez la poignée pour arrêter l'appareil.

POUR ENGAGER LES TARIÈRES

Pressez la commande des tarières contre la poignée gauche pour engager les tarières. Relâchez la poignée pour arrêter l'appareil.

MANETTE DE DIRECTION (SI PRÉSENT)

Engagez la commande d'entraînement, puis pressez la manette de direction droite pour tourner à droite et celle de gauche pour tourner à gauche.

⚠ ATTENTION

Utilisez la souffeuse à neige dans des espaces ouverts jusqu'à ce que vous ayez une bonne maîtrise des commandes.

Dégagement de la goulotte

⚠ AVERTISSEMENT

Ne dégager jamais la goulotte avec votre main. Arrêtez le moteur, retirez la clé ou débranchez le fil de la bougie et restez derrière la souffeuse à neige jusqu'à ce que toutes les pièces en mouvement sont immobiles avant de dégager la goulotte.

L'outil de dégagement de la goulotte est fixé avec une attache à l'arrière du boîtier des tarières. Si la goulotte est obstruée par la glace ou la neige, procédez comme suit pour la dégager en toute sécurité :

1. Relâchez la commande des tarières et la commande d'entraînement. Puis, tournez la commande de rotation de la goulotte vers la gauche.
2. ARRÊTEZ LE MOTEUR ! Retirez la clé ou débranchez le fil de la bougie. Consultez la notice d'utilisation du moteur.
3. Détachez l'outil de dégagement fixé à l'arrière du boîtier des tarières.
4. Utilisez le côté en forme de pelle de l'outil de dégagement pour déplacer et retirer la neige et la glace accumulées à l'intérieur et autour de la goulotte. Utilisez toujours l'outil de dégagement de la goulotte (pièce no 931-2643). N'utilisez jamais vos mains. Consultez le document Pièces et garantie pour commander l'outil de dégagement de la goulotte. Voir Figure 74.
5. Fixez à nouveau l'outil de dégagement à l'arrière du boîtier des tarières, insérez la clé ou rebranchez le fil de bougie et redémarrez le moteur.

UTILISATION

- Placez-vous derrière l'appareil, embrayez la commande des tarières et laissez les tarières tourner pendant quelques secondes afin de dégager toute la neige et la glace de la goulotte.

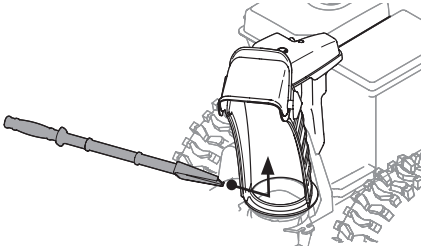


Figure 74

Remplacement des goupilles de cisaillement

⚠ ATTENTION

Ne remplacez les goupilles de cisaillement qu'avec les goupilles de cisaillement de rechange, pièce n° 738-04124A (dotées d'une tête ronde) ou n° 738-05273 (noires avec une tête ronde) ou n° 738-06654 (à tête hexagonale). Tout dommage à la boîte d'engrenage des tarières ou aux autres composants causé par un remplacement des goupilles de cisaillement inadéquat NE sera PAS couvert par la garantie de la souffleuse à neige.

⚠ AVERTISSEMENT

Arrêtez le moteur, retirez la clé ou débranchez le fil de la bougie avant de remplacer les goupilles de cisaillement.

Les tarières sont fixées à l'arbre en spirale avec des goupilles de cisaillement (a, b ou c) et des goupilles fendues (d). Les goupilles sont conçues pour cisailer lorsque la souffleuse heurte un objet ou de la glace. Si les tarières ne tournent pas, vérifiez si les goupilles ont cisailé. Voir Figure 75.

IMPORTANT : Utilisez toujours des goupilles de cisaillement de rechange adéquates.

SOUFFLEUSE À NEIGE À 2 PHASES

- La tarière est fixée à l'arbre en spirale avec des goupilles de cisaillement à tête ronde (numéro de pièce 738-04124A).

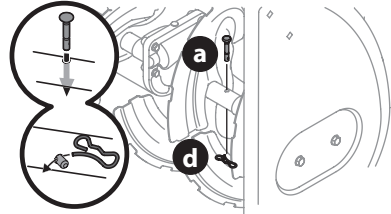


SOUFFLEUSE À NEIGE À 3 PHASES

- Les tarières latérales sont fixées à l'arbre en spirale avec des goupilles de cisaillement noires à tête ronde (numéro de pièce 738-05273).
- L'accélérateur central est fixé à l'arbre en spirale avec des goupilles de cisaillement à tête hexagonale (c) (numéro de pièce 738-06654).



Souffleuse à neige à 2 phases



Souffleuse à neige à 3 phases

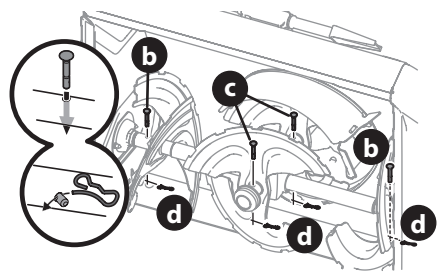


Figure 75

⚠ AVERTISSEMENT

Débrayez la commande des tarières avant de réparer ou d'inspecter la souffleuse à neige. Arrêtez le moteur, retirez la clé pour ou débranchez le fil de la bougie prévenir tout démarrage accidentel.

Dépannage

MOTEUR

1. Le moteur ne démarre pas, tourne irrégulièrement à plein régime ou au ralenti ou a des ratés occasionnels. Consultez la notice d'utilisation du moteur.
 - Consultez la notice d'utilisation du moteur pour les instructions et les procédures d'entretien du moteur.

VIBRATIONS EXCESSIVES

1. Des pièces sont desserrées ou endommagées.
 - Arrêtez immédiatement le moteur, retirez la clé et débranchez le fil de la bougie d'allumage. Vérifiez si l'appareil n'est pas endommagé. Serrez tous les boulons et tous les écrous. Effectuez les réparations nécessaires. Si le problème persiste, adressez-vous à un centre de service agréé.

L'APPAREIL NE SE PROPULSE PAS

1. Le câble de la commande d'entraînement est mal ajusté.
 - Ajustez le câble de la commande d'entraînement. Consultez la sous-section Commande d'entraînement à la page 77.
2. La courroie d'entraînement est usée ou endommagée.
 - Remplacez la courroie d'entraînement. Consultez un centre de service agréé.
3. La roue de friction est usée.
 - Remplacez la roue de friction. Consultez la section Entretien à la page 87.

L'APPAREIL N'ÉJECTE PAS LA NEIGE

1. La goulotte d'éjection est obstruée.
 - Arrêtez immédiatement le moteur et débranchez le fil de la bougie d'allumage. Consultez la notice d'utilisation du moteur. Nettoyez la goulotte et l'intérieur du boîtier des tarières avec l'outil de dégagement de la goulotte. Consultez la section Dégagement de la goulotte à la page 82.
2. Un objet est coincé dans la tarière.
 - Arrêtez tout de suite le moteur et débranchez le fil de la bougie d'allumage. Consultez la notice d'utilisation du moteur. Retirez l'objet avec l'outil de dégagement de la goulotte. Consultez la section Dégagement de la goulotte à la page 82.
3. Le câble de la commande des tarières est mal ajusté.
 - Consultez la sous-section Commande des tarières à la page 79.

4. La courroie de la tarière est détendue ou endommagée.
 - Consultez la section Remplacement de la courroie aux pages page 86.
5. Les goupilles de cisaillement ont cisailé.
 - Consultez la section Remplacement des goupilles de cisaillement à la page 83.

LA GOULOTTE NE PIVOTE PAS

1. La goulotte d'éjection est mal assemblée.
 - Démontez la commande de la goulotte et assemblez-la selon les instructions de la section Assemblage et montage.

LA SOUFFLEUSE POUSSE LA NEIGE ET NE LA SOUFFLE PAS

1. La vitesse de déplacement est trop faible pour débayer une accumulation de neige mouillée (de 1 po à 3 po).
 - Augmentez la vitesse de déplacement et faites toujours fonctionner la souffleuse à neige à plein régime. Consultez la section Dégagement de la goulotte à la page 82.
2. Les goupilles de cisaillement ont cisailé.
 - Consultez la section Remplacement des goupilles de cisaillement à la page 83.

LA GOULOTTE SUPÉRIEURE BOUGE LORSQUE LA NEIGE EST PROJETÉE

1. La tension de la goulotte est insuffisante.
 - Consultez la section Commande supérieure de goulotte (si présent) à la Commande supérieure de goulotte (si présent) on page 75.

Entretien

MOTEUR

Consultez la notice d'utilisation du moteur.

PRESSION DES PNEUS

Consultez la section Assemblage et montage à la page 74 pour plus d'informations sur la pression des pneus.

LAME DE RACLAGE ET PATINS

La lame de raclage et les patins sont des pièces soumises à l'usure normale. Vérifiez-les régulièrement et remplacez-les si nécessaire.

NOTE : Les patins de luxe (sur certains modèles) ont deux bords d'usure. Lorsqu'un bord est usé, faites pivoter le patin sur 180° pour utiliser le deuxième bord.

Pour enlever les patins (patin de luxe illustré) :

1. Retirez les quatre boulons de carrosserie (a), les écrous à bride hexagonaux (b) et les rondelles plates (c) qui fixent les patins au boîtier.

- Faites pivoter le patin et fixez-le avec les boulons de carrosserie (a) (deux de chaque côté), les écrous à bride hexagonaux (b) et les rondelles plates (c). Voir Figure 76.

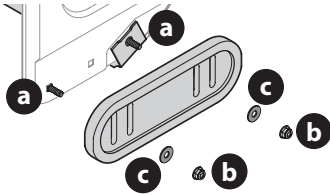


Figure 76

Pour enlever la lame de raclage :

- Faites fonctionner le moteur jusqu'à ce que le réservoir de carburant soit vide. Ne tentez pas de vidanger l'essence du moteur. Retirez la clé ou débranchez le fil de la bougie.
- Relevez la souffleuse à neige vers l'avant de façon qu'elle repose sur le boîtier des tarières.
- Retirez les boulons de carrosserie (a) et les écrous hexagonaux (b) qui fixent la lame de raclage au boîtier des tarières. Voir Figure 77.

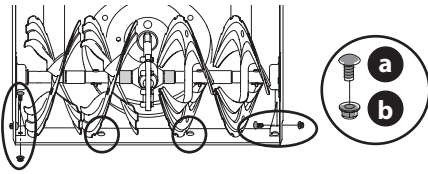


Figure 77

- Installez la lame de raclage neuve et vérifiez que la tête des boulons de carrosserie est placée à l'intérieur du boîtier. Serrez bien. Voir Figure 77.
- Consultez la section *Lame de raclage réglable* (si présent) à la page 75 pour les instructions de réglage.

REMISAGE PENDANT L'HIVER

Si la souffleuse à neige n'est pas utilisée pendant une longue période, suivez les instructions ci-dessous.

- Faites fonctionner le moteur jusqu'à ce que le réservoir de carburant soit vide. Ne tentez pas de vidanger l'essence du moteur.
- NOTE :** Consultez la notice d'utilisation du moteur pour plus d'instructions sur l'entreposage du moteur.
- Lubrifiez l'appareil selon les instructions à la page 85.
 - Entreposez-le dans un endroit propre et sec.
 - Si l'appareil est entreposé dans un endroit sans ventilation, lubrifiez-le avec de l'huile légère ou de la silicone pour prévenir la rouille.
 - Nettoyez la surface du moteur et de la souffleuse à neige.

IMPORTANT : Lorsque vous entreposez l'appareil, assurez-vous que les deux roues et le boîtier des tarières soient posés sur le sol.

Lubrification

ROUES

Enlevez les deux roues au moins une fois par saison. Nettoyez et lubrifiez les essieux avec une graisse tout usage avant de réinstaller les roues.

COMMANDE LATÉRALE DE GOULOTTE (SI PRÉSENT)

Une fois par saison, lubrifiez la spirale et le coussinet du boulon à œil avec une huile 3 en 1.

MODÈLES SANS TRANSMISSION AUTOMATIQUE

Lubrifiez l'arbre de la roue de friction au moins une fois par saison ou après chaque vingt-cinq (25) heures d'utilisation.

- Faites fonctionner le moteur jusqu'à ce qu'il ne reste plus d'essence dans le réservoir. Retirez la clé ou débranchez le fil de la bougie.
- Relevez la souffleuse à neige vers l'avant de façon qu'elle repose sur le boîtier des tarières.
- Retirez les vis autotaraudeuses qui fixent le couvercle du châssis sous l'appareil, puis retirez le couvercle du châssis. Voir Figure 78.

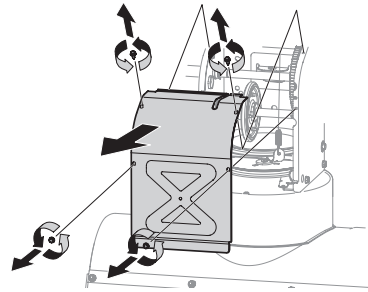


Figure 78

- Enduisez l'arbre hexagonal d'une mince couche de lubrifiant Bostik Regular Grade Never-Seez®. Voir Figure 79.

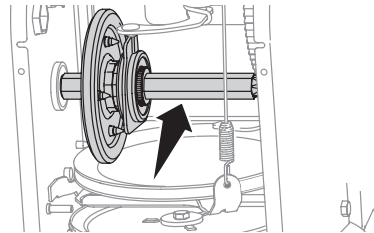


Figure 79

NOTE : Lorsque vous lubrifiez l'arbre hexagonal, veillez à ne pas mettre d'antigrippant sur la plaque d'entraînement en aluminium ou sur les roues de friction en caoutchouc, car ceci peut causer l'usure prématurée du système d'entraînement. Essayez l'excédent de lubrifiant.

ARBRE DES TARIÈRES

Retirez les goupilles de cisaillement (a) et les goupilles fendues (b) de l'arbre des tarières au moins une fois par saison. Vaporisez du lubrifiant à l'intérieur de l'arbre et autour des entretoises et des roulements à bride situés aux deux extrémités de l'arbre. Voir Figure 80.

NOTE : Tarières de la souffleuse à 3 phases illustrées

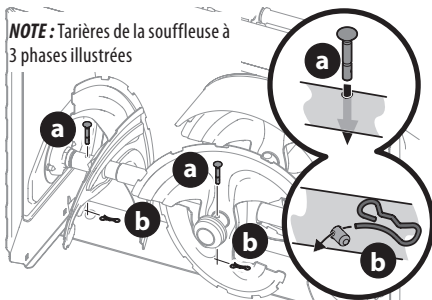


Figure 80

IMPORTANT : L'accélérateur arrière des modèles à trois phases est doté d'une autre goupille de cisaillement.

Entretien

REPLACEMENT DE LA COURROIE D'ENTRAÎNEMENT DE TARIÈRE PROCÉDEZ COMME SUIVANT POUR REMPLACER LA COURROIE DES TARIÈRES :

1. Faites fonctionner le moteur jusqu'à ce qu'il ne reste plus d'essence dans le réservoir. Ne tentez pas de vidanger l'essence du moteur. Retirez la clé ou débranchez le fil de la bougie.
2. Retirez les deux vis autotaraudeuses (a) pour enlever le couvercle de courroie en plastique devant le moteur. Voir Figure 81.

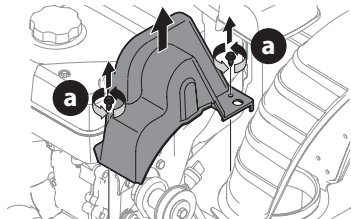


Figure 81

NOTE : Pour les modèles dotés d'un pare DEL sur le boîtier des tarières, débranchez le faisceau de fils avant de retirer le couvercle de courroie. Voir Figure 82.

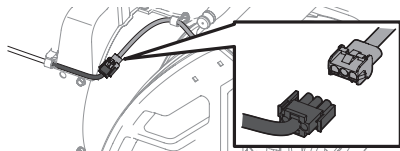


Figure 82

3. Faites glisser la courroie des tarières de la poulie du moteur. Voir Figure 83.

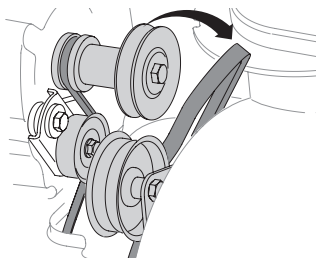
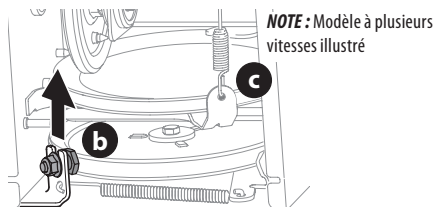


Figure 83

4. Relevez la souffleuse à neige vers l'avant de façon qu'elle repose sur le boîtier des tarières.
5. Retirez les vis autotaraudeuses qui fixent le couvercle du châssis sous l'appareil, puis retirez le couvercle du châssis. Voir Figure 78.
6. Desserrez le boulon à épaulement (b) qui sert de garde-courroie et retirez-le. Puis, décrochez le ressort (c) du châssis. Voir Figure 84.



NOTE : Modèle à plusieurs vitesses illustré

Figure 84

7. Enlevez la courroie de la poulie des tarières, puis placez la courroie entre le support et la poulie des tarières. Voir Figure 85.

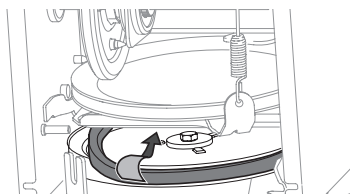


Figure 85

NOTE : Embrayez la commande des tarières pour faciliter le démontage et l'installation de la courroie.

8. Installez la courroie des tarières en suivant les instructions ci-dessus dans l'ordre inverse.

NOTE : Installez le boulon à épaulement (a) et de fixer le ressort au châssis après avoir installé la courroie neuve. Voir Figure 84.

9. Après avoir remplacé la courroie des tarières, vérifiez le réglage de la commande des tarières selon les instructions de la section Assemblage et montage (page 76).

REPLACEMENT DE LA COURROIE D'ENTRAÎNEMENT

NOTE : Consultez le centre de service agréé de votre région pour faire remplacer la courroie d'entraînement ou communiquez avec le service à la clientèle.

INSPECTION DE LA ROUE DE FRICTION (MODÈLES 500 ET 800 AVEC MANETTES DE DIRECTION DES ROUES ET MODÈLES 600 À 1 VITESSE SANS MANETTES DE DIRECTION DES ROUES)

Si l'appareil n'avance pas lorsque la commande d'entraînement est embrayée et si le problème n'est pas résolu après le réglage du câble de la commande d'entraînement, il faut peut-être remplacer la roue de friction.

IMPORTANT : Des outils spéciaux sont nécessaires et plusieurs pièces doivent être démontées pour remplacer l'anneau en caoutchouc de la roue de friction. Consultez votre centre de service agréé pour faire remplacer l'anneau en caoutchouc de la roue de friction ou communiquez avec le service à la clientèle.

Procédez comme suit pour inspecter la roue de friction :

1. Faites fonctionner le moteur jusqu'à ce qu'il ne reste plus d'essence dans le réservoir. Ne tentez pas de vidanger l'essence du moteur. Retirez la clé ou débranchez le fil de la bougie.
2. Relevez la souffleuse à neige vers l'avant de façon qu'elle repose sur le boîtier des tarières.
3. Retirez les quatre vis autotaraudeuses qui fixent le couvercle du châssis sous l'appareil, puis retirez le couvercle du châssis. Voir Figure 78.
4. Vérifiez si la roue de friction présente des signes d'usure ou de fissure.
5. Remplacez le couvercle et fixez-le avec les quatre vis. Voir Figure 78.
6. Si nécessaire, consultez le centre de service agréé de votre région pour faire remplacer l'anneau en caoutchouc de la roue de friction ou communiquez avec le service à la clientèle.

DÉMONTAGE DE LA ROUE DE FRICTION (MODÈLES 600 À PLUSIEURS VITESSES ET SANS MANETTES DE DIRECTION DES ROUES)

Si l'appareil n'avance pas lorsque la commande d'entraînement est embrayée et si le problème n'est pas résolu après avoir réglé le câble de la commande d'entraînement, il faut peut-être remplacer la roue de friction. Suivez les instructions ci-dessous. Vérifiez si la roue de friction présente des signes d'usure ou de fissure et remplacez-la au besoin.

1. Faites fonctionner le moteur jusqu'à ce que le réservoir d'essence soit vide. Ne tentez pas de vidanger l'essence du moteur. Retirez la clé ou débranchez le fil de la bougie.

2. Placez le levier de vitesse à la première position de marche avant (F1).
3. Relevez la souffleuse à neige vers l'avant de façon qu'elle repose sur le boîtier des tarières.
4. Retirez les vis autotaraudeuses qui fixent le couvercle du châssis sous l'appareil, puis retirez le couvercle du châssis. Voir Figure 78. Retirez la vis et la rondelle Belleville qui fixent la roue droite à l'essieu, puis enlevez la roue droite. Voir Figure 86.

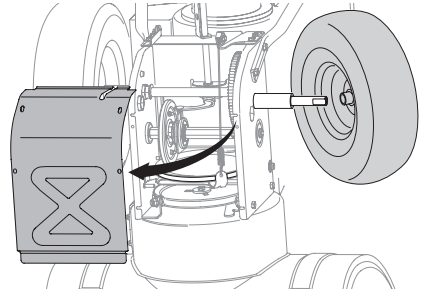


Figure 86

5. Retirez l'écrou (a) qui fixe l'arbre hexagonal au châssis, puis tapez légèrement sur l'extrémité de l'arbre pour faire sortir le roulement à billes du côté droit du châssis. Voir Figure 87.

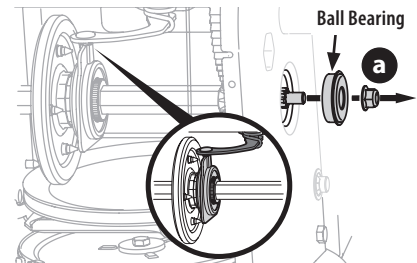


Figure 87

NOTE : Veillez à ne pas endommager le filetage de l'arbre.

6. Inclinez l'arbre hexagonal vers la gauche avant de faire sortir la roue de friction de l'arbre. Voir Figure 88.

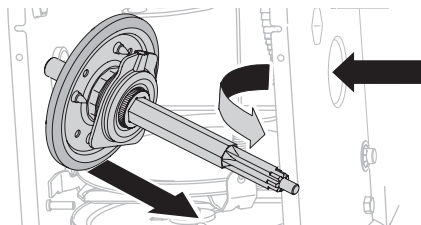


Figure 88

NOTE : Si vous remplacez la roue de friction assemblée, jetez la pièce usée et installez la pièce neuve sur l'arbre hexagonal.

RÉVISION ET ENTRETIEN

- Suivez les étapes précédentes dans l'ordre inverse pour assembler les pièces.
- Vérifiez le réglage de la commande d'entraînement selon les instructions de la page 77.

Si vous démontez la roue de friction pour remplacer l'anneau en caoutchouc, procédez comme suit :

NOTE : Les roues de friction ne sont toutes réparables. Si c'est le cas, remplacez la roue de friction au complet.

- Retirez les quatre boulons (a) qui fixent les plaques latérales de la roue de friction. Voir Figure 89.

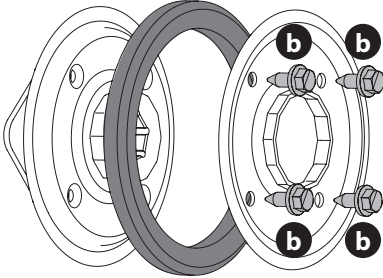


Figure 89

- Retirez l'anneau en caoutchouc entre les plaques.
- Installez l'anneau en caoutchouc neuf entre les plaques.

NOTE : Lorsque vous assemblez la roue de friction assemblée, vérifiez que l'anneau en caoutchouc est centré et bien installé entre les plaques latérales. Serrez chaque vis d'un tour à la fois avant de tourner la roue dans le sens horaire et de procéder à la vis suivante. Répétez cette étape plusieurs fois pour vous assurer que les plaques sont serrées au même couple (de 115 à 145 po-lb).

- Enduisez l'arbre hexagonal d'une mince couche de lubrifiant Bostik Regular Grade Never-Seez®.
- Faites glisser la roue de friction sur l'arbre hexagonal et suivez les étapes ci-dessus dans l'ordre inverse pour assembler les pièces.
- Après avoir remplacé la roue de friction, vérifiez le réglage de la commande d'entraînement selon les instructions de la page 77.

NOTE : Vérifiez que la goupille du levier de vitesse est placée dans le boîtier du roulement. Voir Figure 92.

TRANSMISSION HYDROSTATIQUE (SI PRÉSENT)

NOTE : Communiquez avec un centre de service agréé pour faire l'entretien de la transmission ou communiquez avec le service à la clientèle pour obtenir de l'aide ou les coordonnées du centre de service le plus proche.